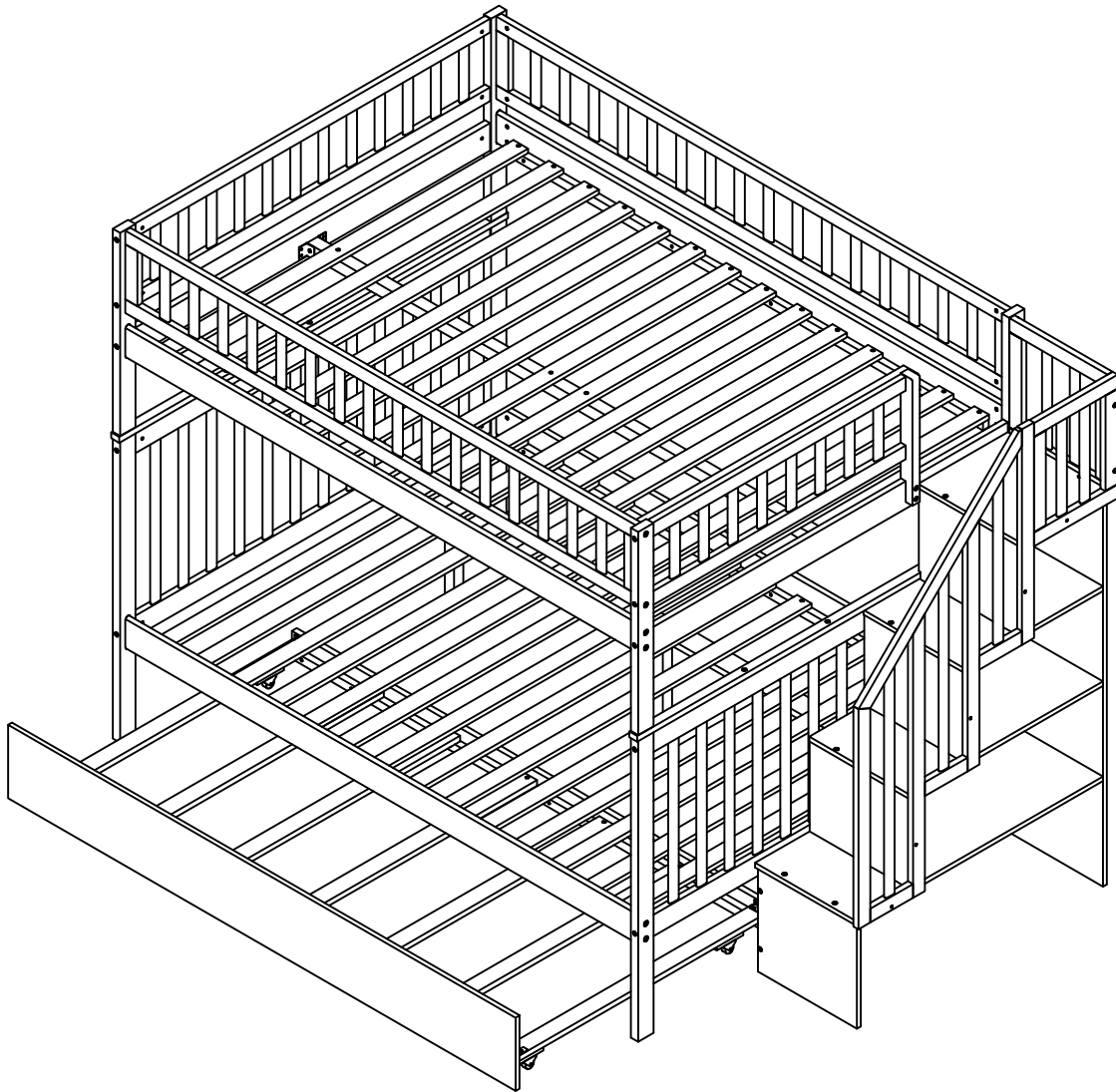


ASSEMBLY INSTRUCTIONS

FULL/FULL BUNK BED WITH TRUNDLE



This set is included 3 boxes if don't receive full 3 boxes please contact our customer service team.

SAFETY WARNINGS AND GENERAL NOTES :

Follow the information on the warnings on the bunk bed end structure and on the carton. Do not remove the warning label from the bed. Always use the recommended size mattress on mattress support, or both, to help prevent the likelihood of entrapment or falls.

The top surface of the mattress must be at least 5*inch (127mm) below the upper edge of the guardrail.

Do not allow children under 6 years of age to use the upper bunk.

Periodically check and ensure the guardrail, ladder and other components are in their proper position, free from damage, and all connectors are tight.

Do not allow horseplay on or under beds.

Always prohibit jumping on the bed.

Prohibit more than one person on upper bunk.

Always use the ladder for entering and leaving the upper bunk.

Do not use substitute parts. Contact the manufacturer or dealer for replacement parts.

Use of a night-tight may provide added safety precaution for a child using the upper bunk.

Always use guardrails on both long sides of the upper bunk.

If the bunk bed will be placed next to a wall, the guardrail that runs the full length of the bed should be placed against the wall to prevent entrapment between the bed and the wall.

The use of water or sleep flotation mattresses is prohibited.

STRANGULATION HAZARD-Never attach or hang items to any part of the bunk bed that are not designed for use with the bed.

Keep these instructions for future reference.

We recommend assembling your bunk bed on the shipping carton to protect your floor or carpet.

Be certain all staples are out of the box before beginning assembly on the shipping carton.

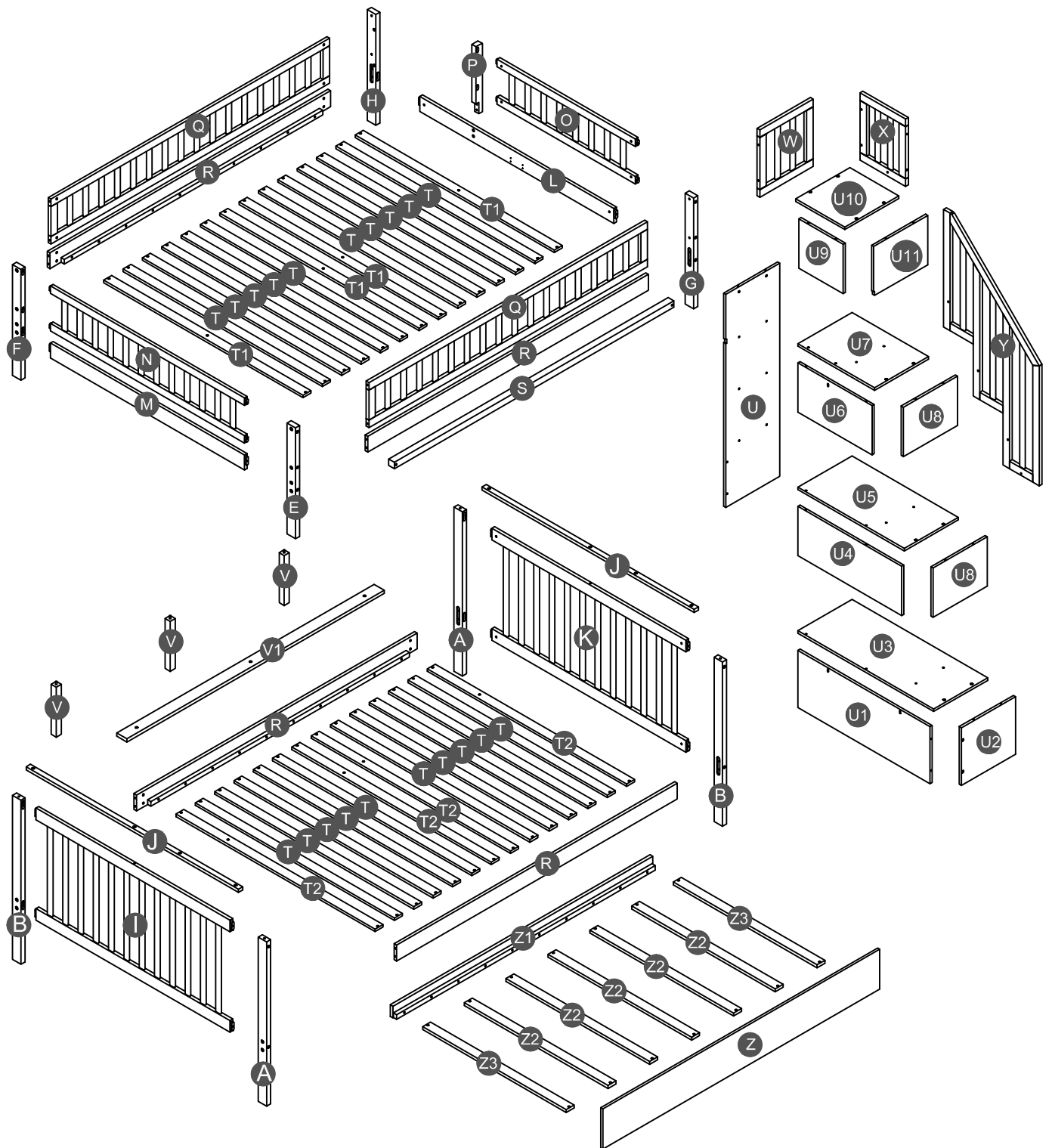
THIS BED IS DESIGNED TO USE A FULL MATTRESSES 53"-54" WIDE X 74"-75" LONG WITH THE TOTAL THICKNESS NOT EXCEEDING 6" FOR UPPER BUNK, FOR THE LOWER FULL-SIZE SHOULD BE 53"-54" WIDE X 74"-75" LONG, WIDE WITH 8" THICKNESS.

SURFACE OF MATTRESS MUST BE AT LEAST 5" (127MM) BELOW THE UPPER EDGE OF GUARDRAILS.

Replacement Parts:

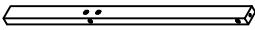
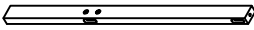





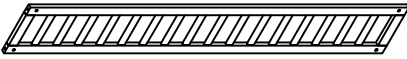
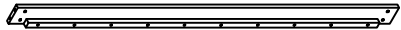
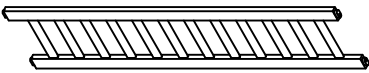
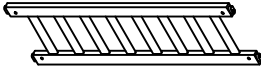
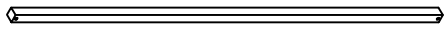
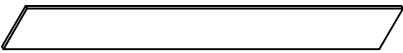
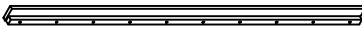



Replacement Parts, including additional guardrails, may be obtained from any of our dealers.

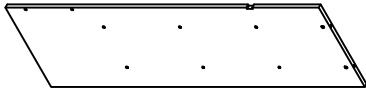

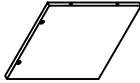
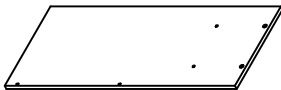
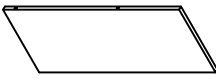
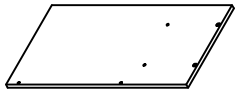
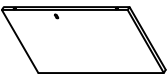
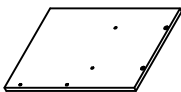
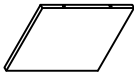
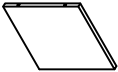
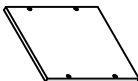
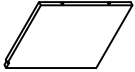
Detail View



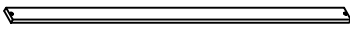
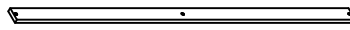
Part List

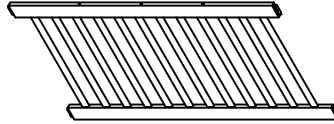
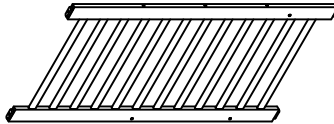
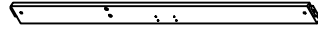
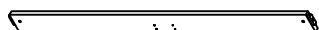
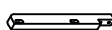
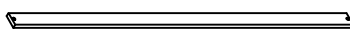
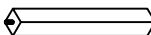
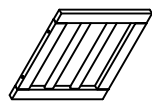
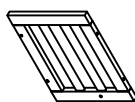
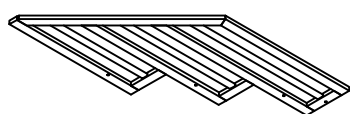
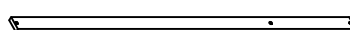
Hardware List

A  Lower leg (Left front/Right back) - 2pcs	B  Lower leg (Left back/Right front) - 2pcs	E  Upper leg (Left front) - 1pc
F  Upper leg (Left back) - 1pc	G  Upper leg (Right front) - 1pc	H  Upper leg (Right back) - 1pc
J  Cap for lower HB&FB - 2pcs	Q  Upper front/back guard rail - 2pcs	R  Lower & upper side rail - 4pcs
N  Upper Frame HB - 1pc	O  Upper Frame FB - 1pc	S  Slat support - 1pc
Z  Front panel of Trundle - 1pc	Z1  Back panel side rail of Trundle - 1pc	Z2  Trundle Slats - 5pcs
Z3  Trundle Slats - 5pcs	V1  Lower support slat - 1pc	


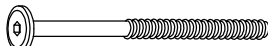
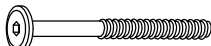
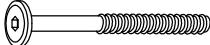




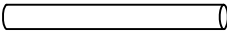




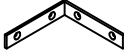

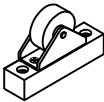
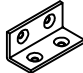


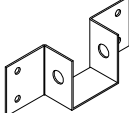
U  Back panel - 1pc	U1  Lower left side panel - 1pc	U2  Lower front panel - 1pc
U3  Lower step ladder panel - 1pc	U4  Lower center left side panel - 1pc	U5  Lower center step ladder panel - 1pc
U6  Upper center left side panel - 1pc	U7  Upper center step ladder panel - 1pc	U8  Center front panel - 2pcs
U9  Upper left side panel - 1pc	U10  Upper step ladder panel - 1pc	U11  Upper front panel - 1pc

Part List

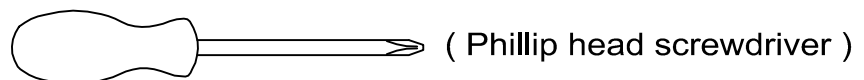
<p>T</p>  <p>Upper slats - 10pcs</p>	<p>T1</p>  <p>Upper slats - 4pcs</p>
--	--

<p>I</p>  <p>Lower Frame HB - 1pc</p>	<p>K</p>  <p>Lower Frame FB - 1pc</p>	<p>L</p>  <p>Upper horizontal bar FB-1pc</p>
<p>M</p>  <p>Upper horizontal bar HB-1pc</p>	<p>P</p>  <p>Support guard rail - 1pc</p>	<p>T</p>  <p>Lower slats - 10pcs</p>
<p>V</p>  <p>Leg support - 3pcs</p>	<p>W</p>  <p>Upper guard back - 1pc</p>	<p>X</p>  <p>Upper guard side - 1pc</p>
<p>Y</p>  <p>Guard side - 1pc</p>	<p>T2</p>  <p>Lower slats - 4pcs</p>	

Hardware List

1	 Ø8*30mm Wood dowel (12pcs)	2	 (Ø15)1/4"*100mm Hex-Head bolts (18pcs)	3	 (Ø15)1/4"*80mm Hex-Head bolts (24pcs)
4	 (Ø12)1/4"*70mm Hex-Head bolts (2pcs)	5	 (Ø12)1/4"*60mm Hex-Head bolts (37pcs)	6	 (Ø12)1/4"*35mm Hex-Head bolts (2pcs)
7	 (Ø12)1/4"*30mm Hex-Head bolts (3pcs)	8	 1/4"*15 (9.5mm) Horizontal-Hole bolts(79pcs)	9	 Ø9*90mm Connecting bar (4pcs)
10	 (Ø12)1/4"*40mm Hex-Head bolts (2pcs)	11	 (1/4")4.5*58mm Allen key (2pcs)	12	 Ø4*30mm Wood screws (86pcs)
13	 Ø1/4"*19*2mm Flat Washer (3pcs)	14	 95*95*18*3mm Metal bracket (2pcs)	15	 Ø3.5*15mm Wood screws (24pcs)
16	 100*63*20mm Wheels (4pcs)	17	 40*18*18*2mm Metal bracket (2pcs)	18	 (Ø12)1/4"*40mm Hex-Head bolts (2pcs)
19	 (Ø13)1/4" x 9/16" Hex Cap (2pcs)	20	 116*40*27mm Hooks(2pcs)		

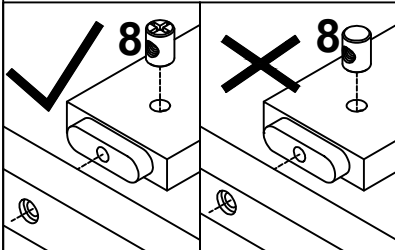
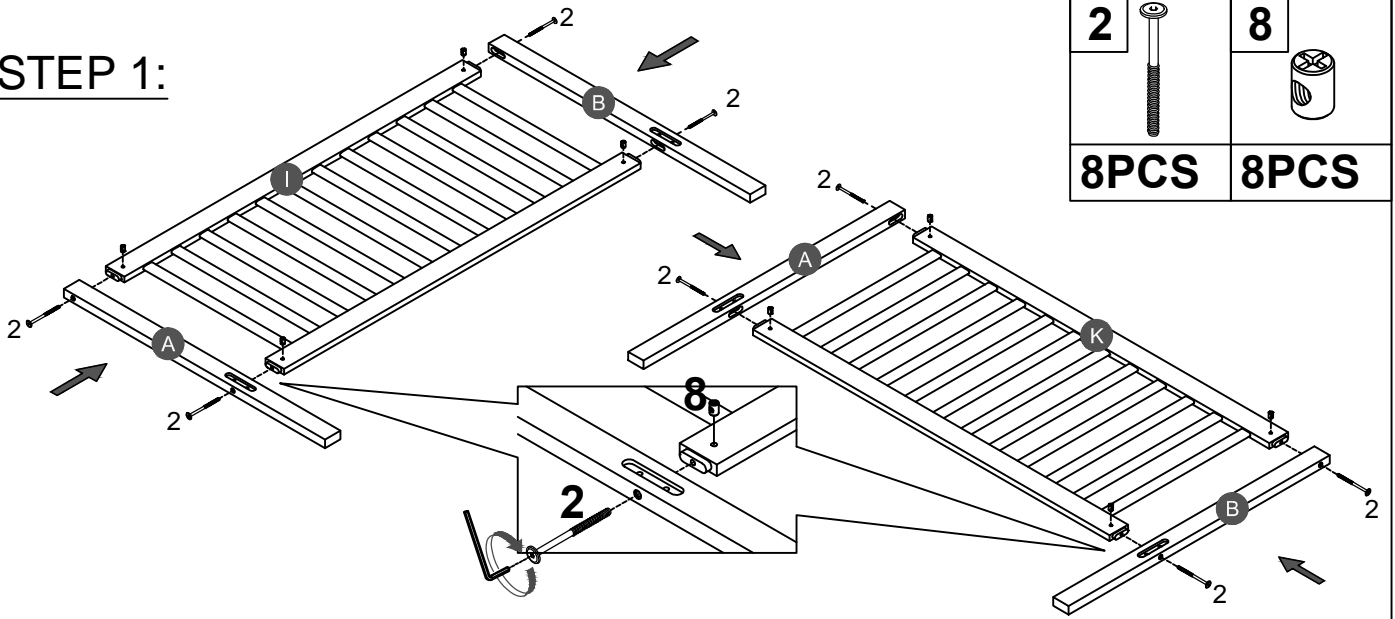
ASSEMBLY TOOLS REQUIRED (NOT INCLUDED)



DO NOT USE POWER TOOLS TO ASSEMBLE THIS PRODUCT !

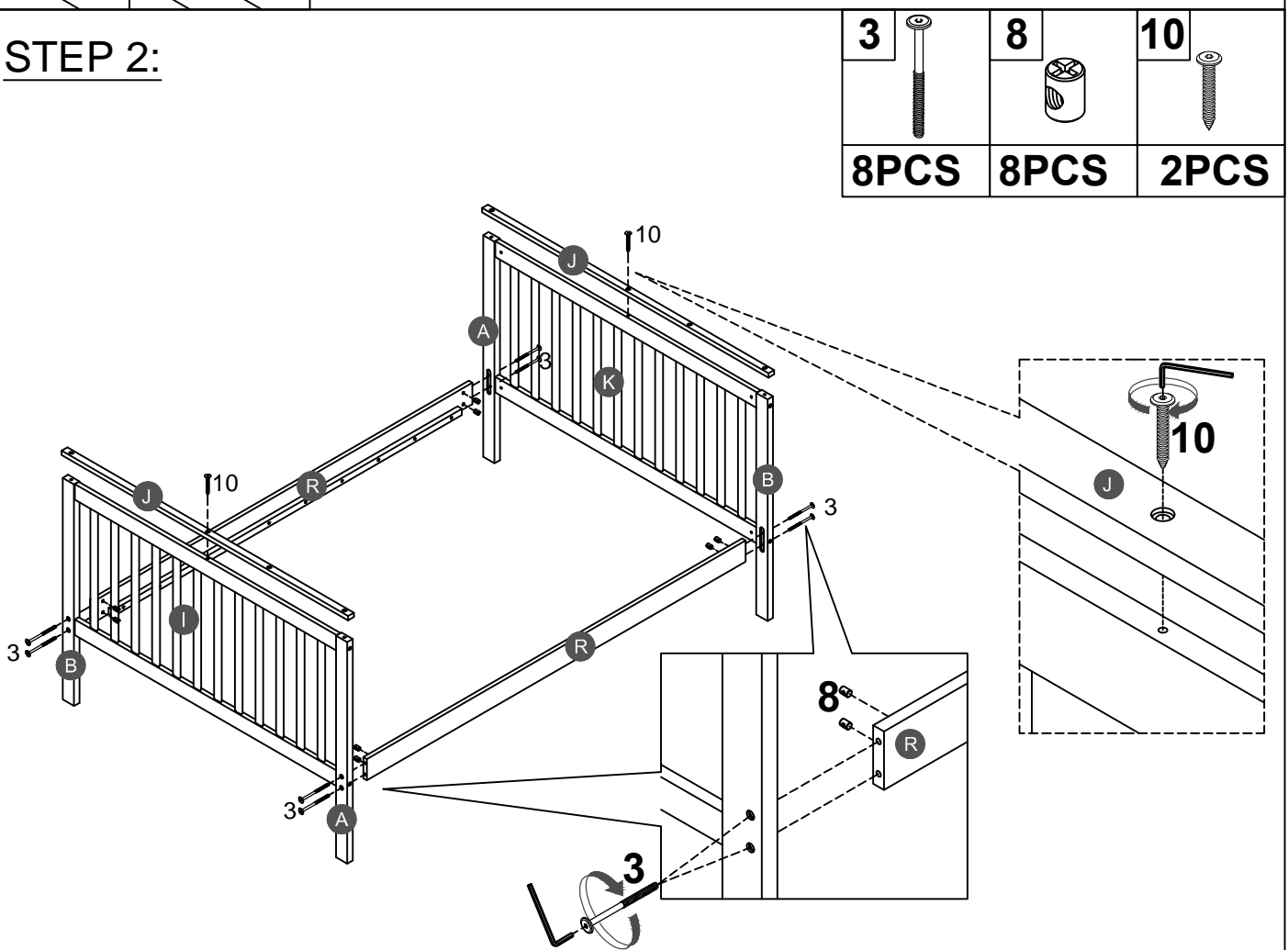
Remark: We recommend you assemble your bed in the flat ground.

STEP 1:







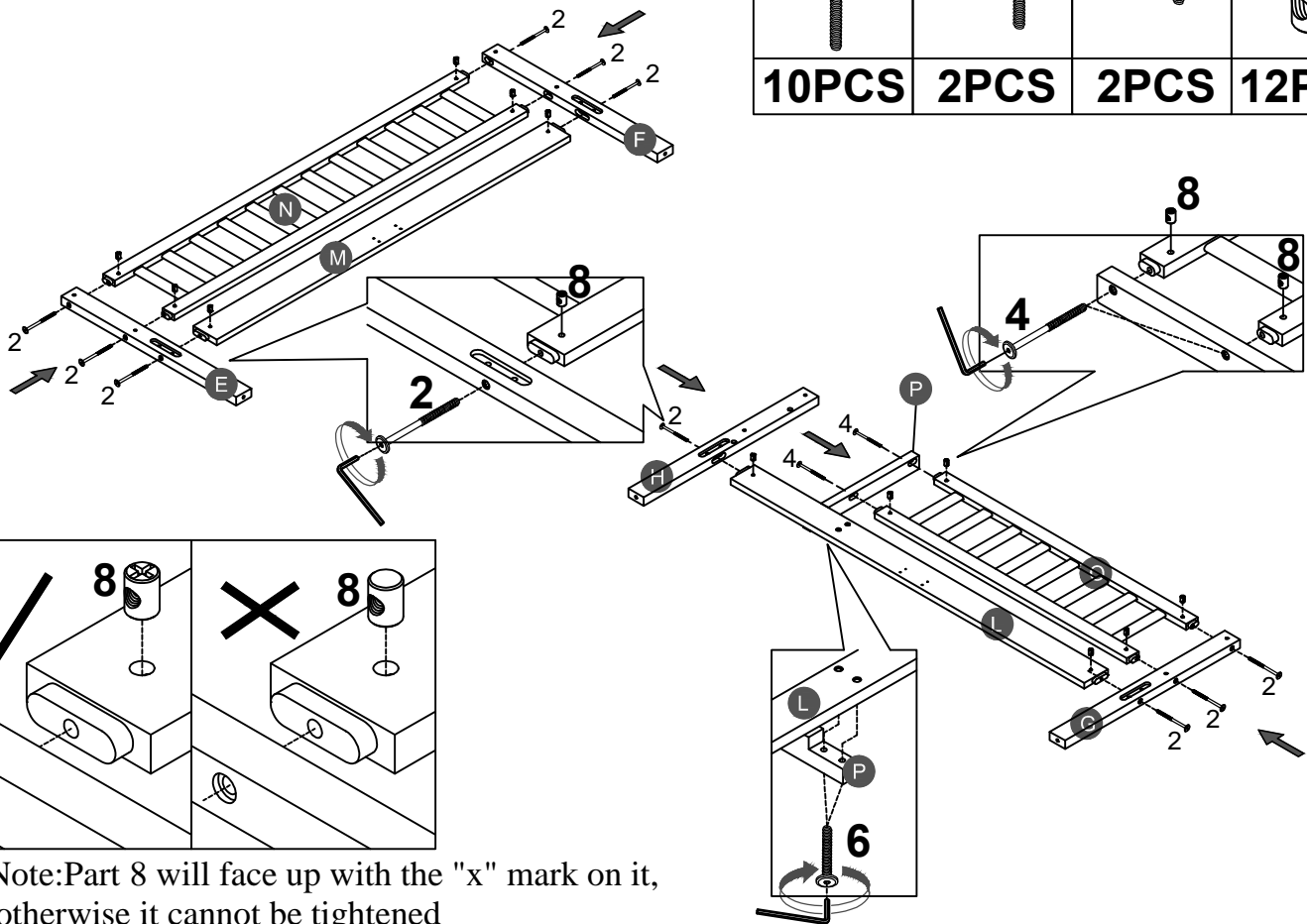
Note: Part 8 will face up with the "x" mark on it, otherwise it cannot be tightened

STEP 2:



STEP 3:



2		4		6		8	
10PCS		2PCS		2PCS		12PCS	

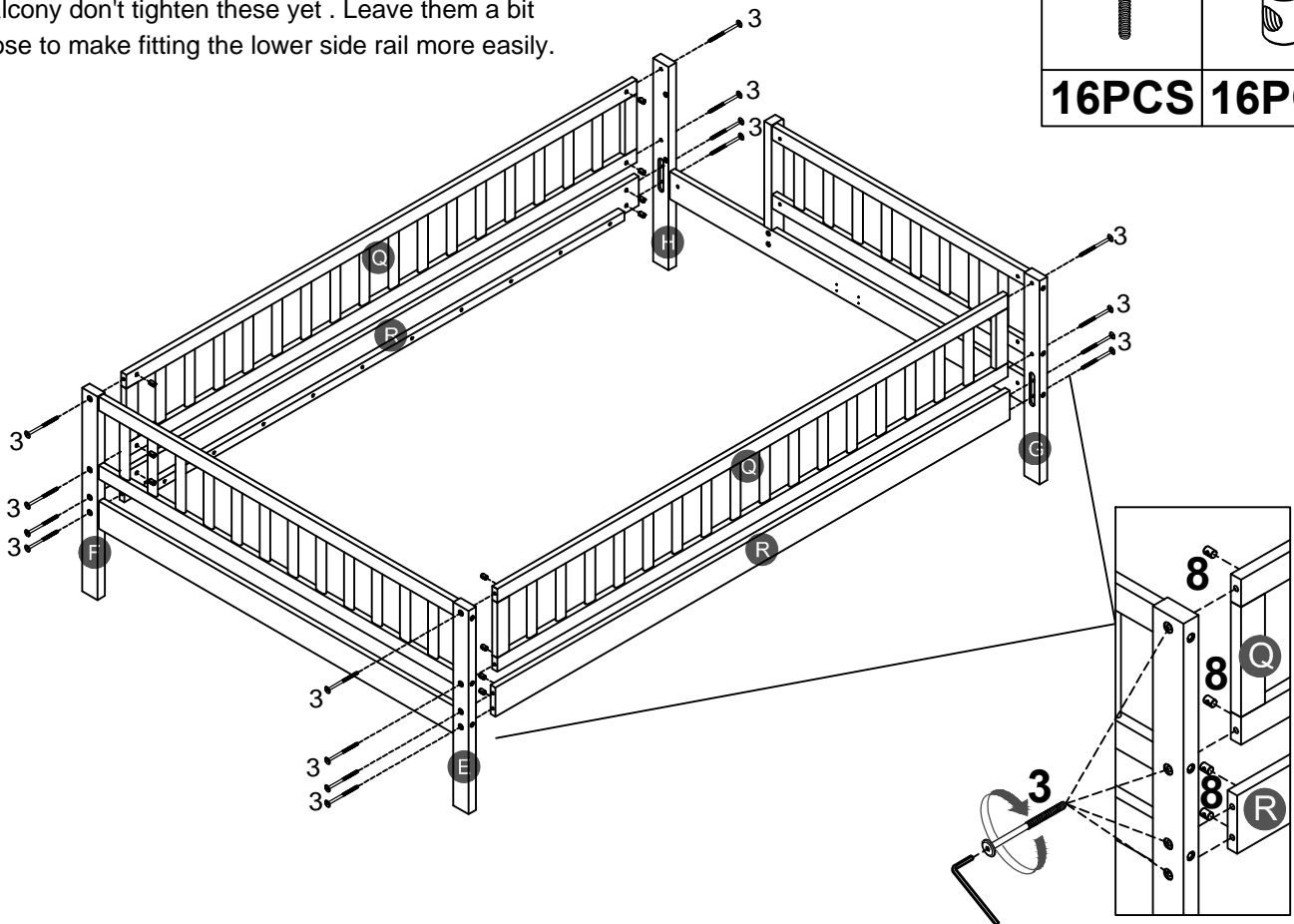


Note: Part 8 will face up with the "x" mark on it, otherwise it cannot be tightened

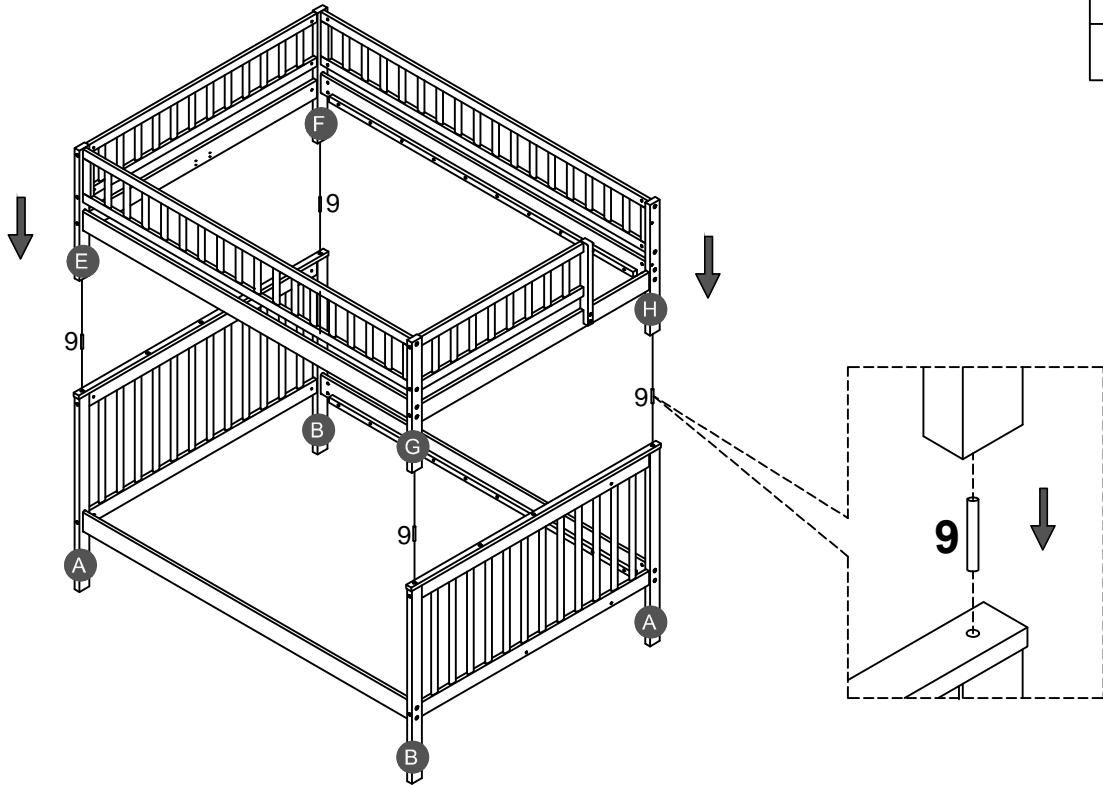
STEP 4:


Balcony don't tighten these yet . Leave them a bit loose to make fitting the lower side rail more easily.

3		8	
16PCS		16PCS	

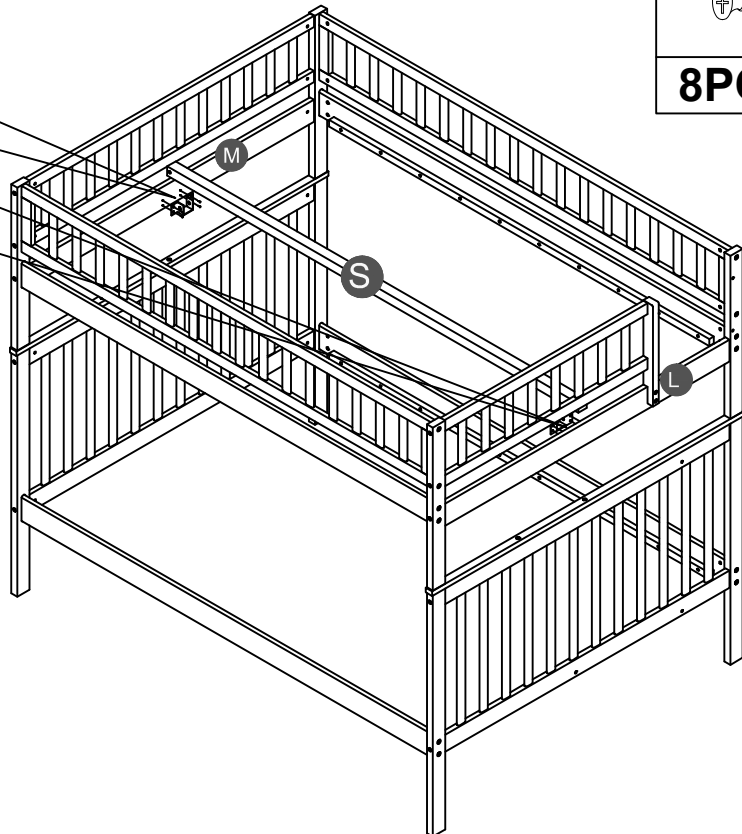
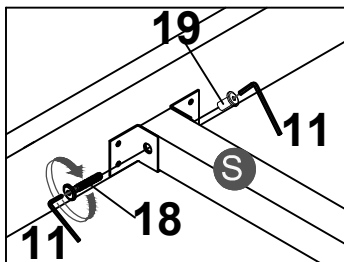
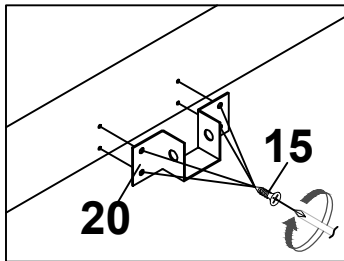




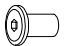
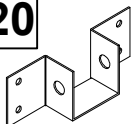
STEP 5:






9	
4PCS	

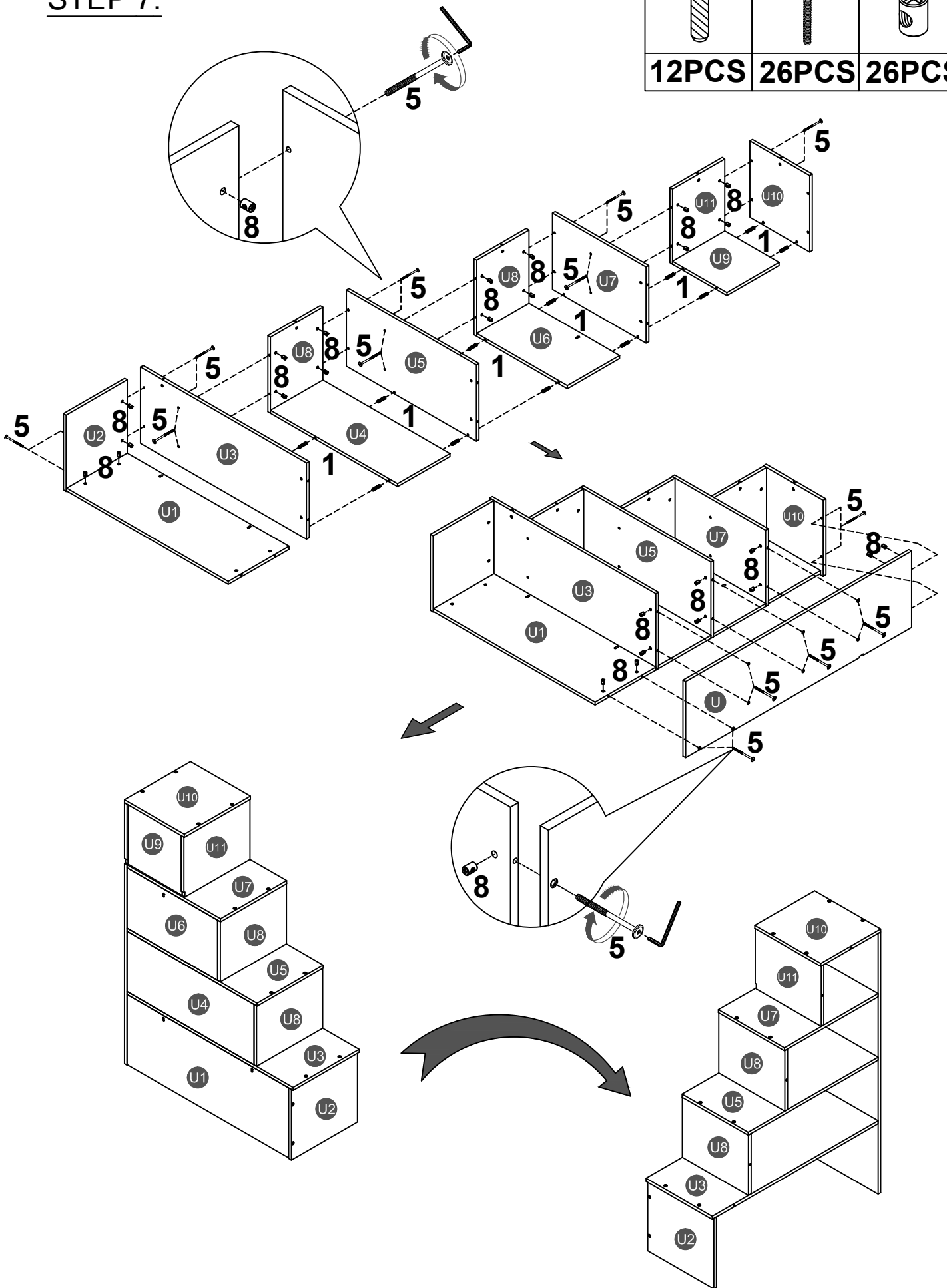
STEP 6:







15		18	
8PCS		2PCS	
19		20	
2PCS		2PCS	

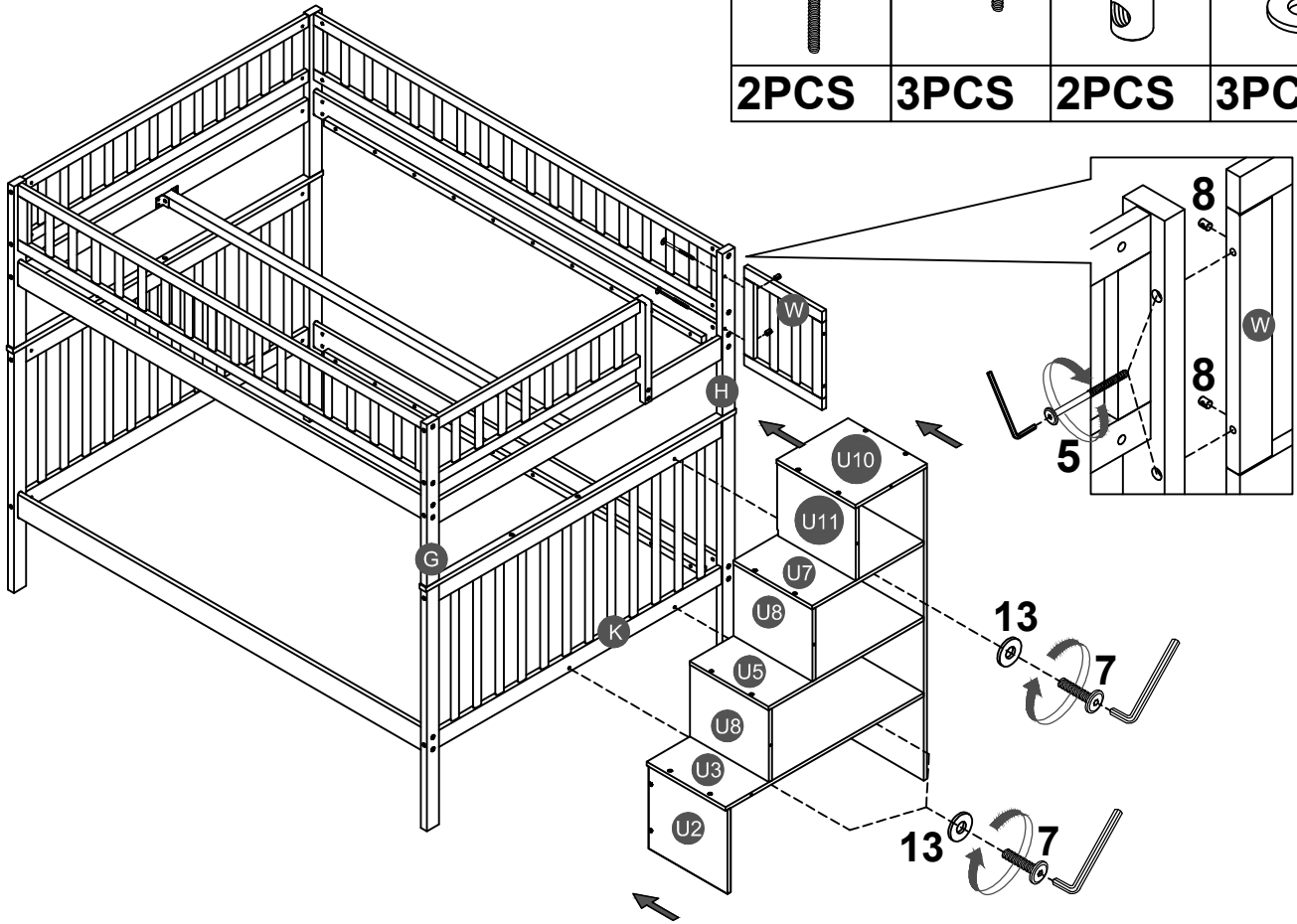
STEP 7:

1	5	8
		
12PCS	26PCS	26PCS





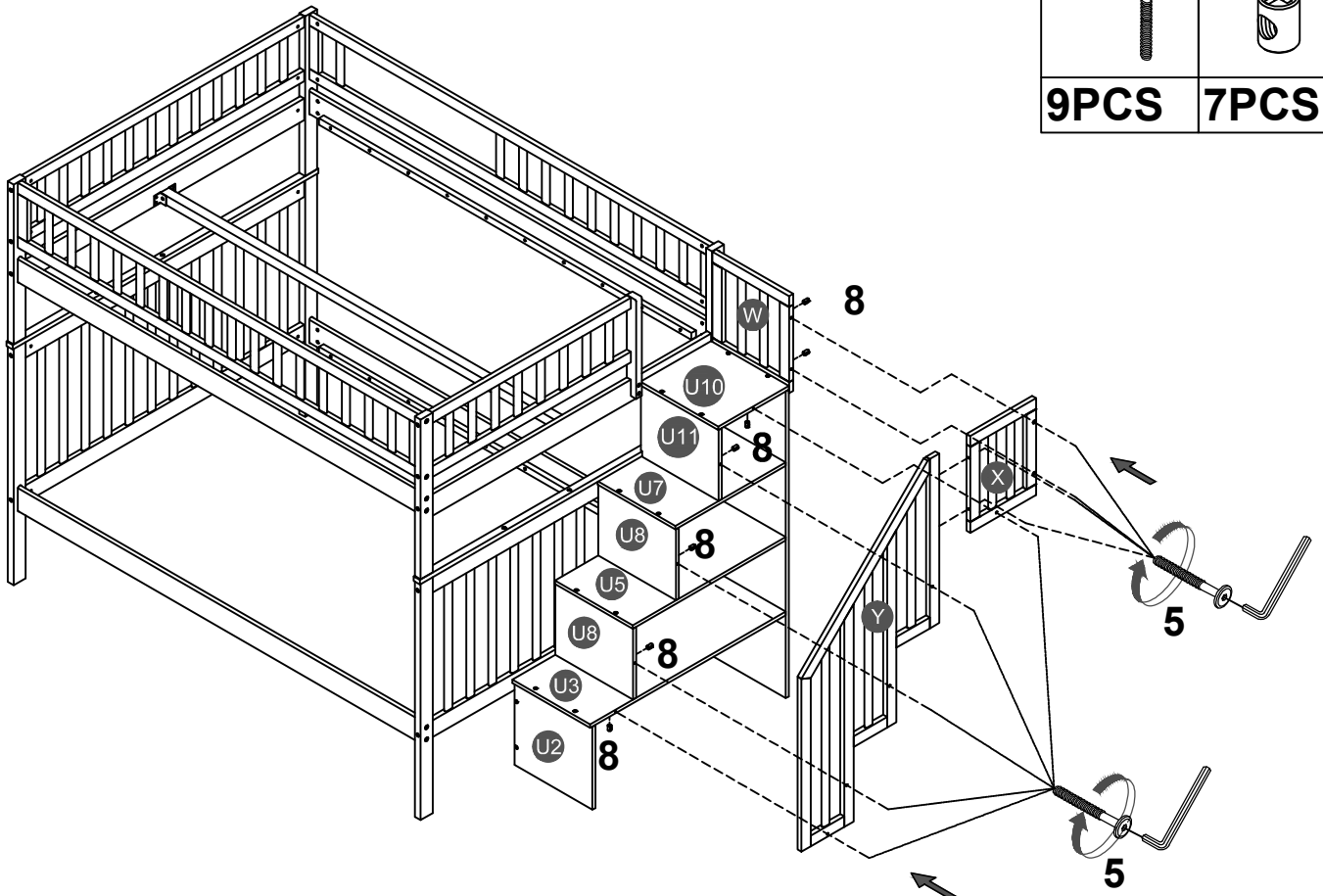
STEP 8:

5		7		8		13	
2PCS		3PCS		2PCS		3PCS	

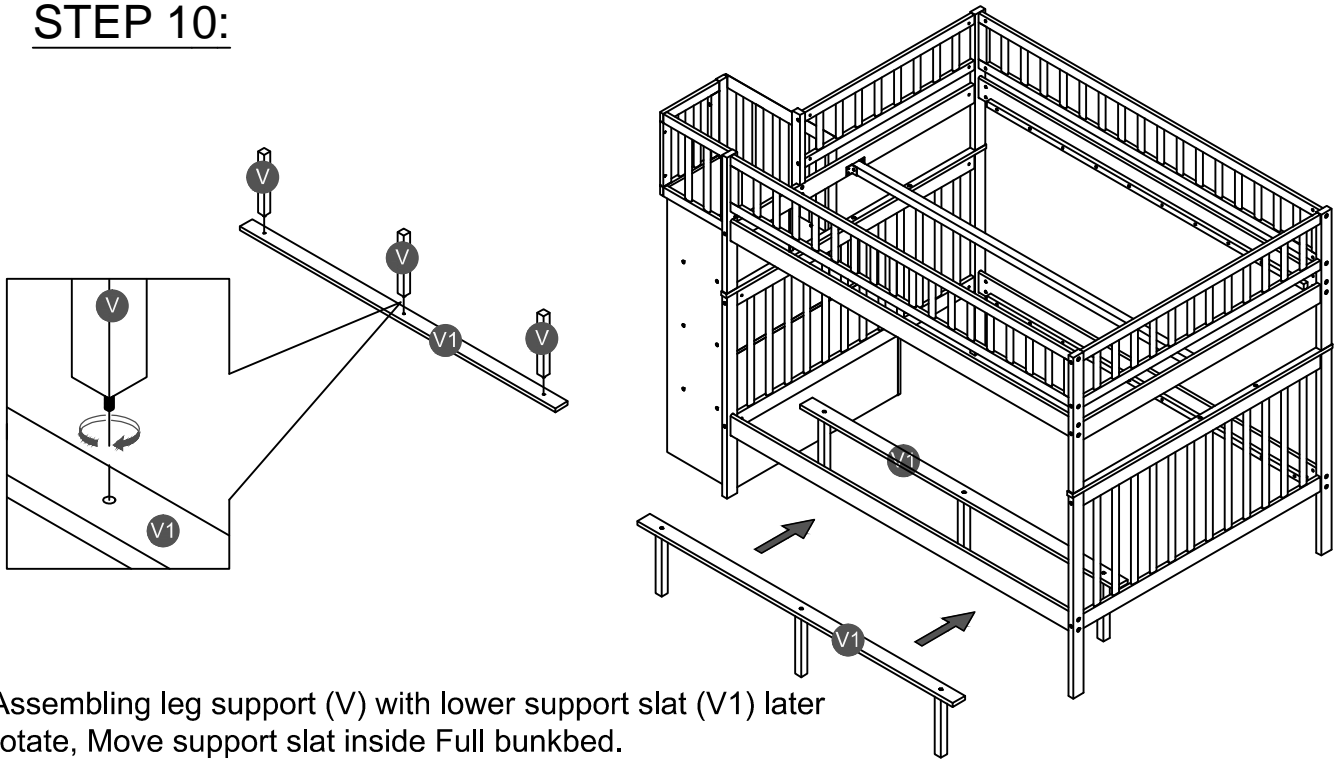


STEP 9:

5		8	
9PCS		7PCS	

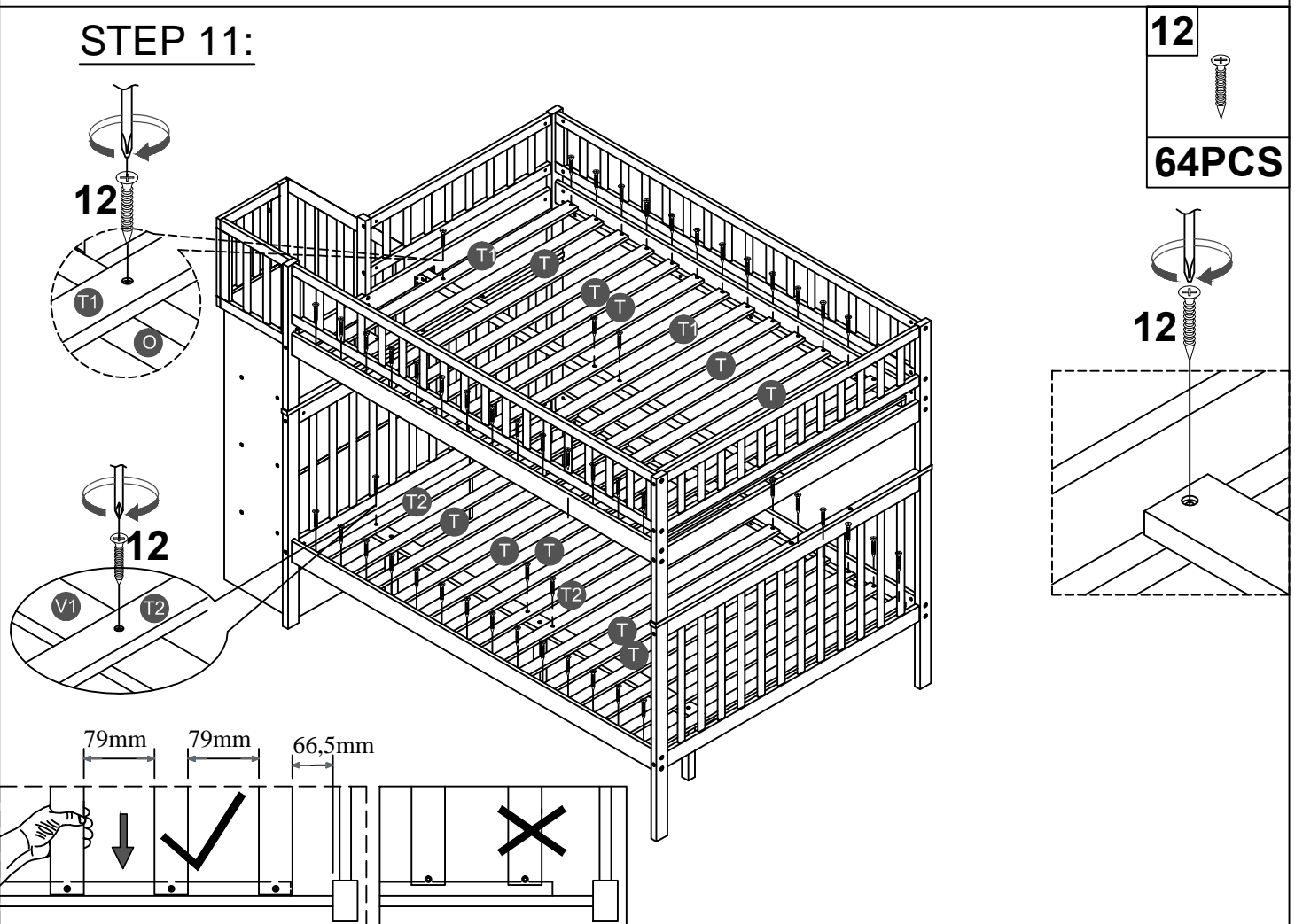


STEP 10:




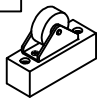
Assembling leg support (V) with lower support slat (V1) later rotate, Move support slat inside Full bunkbed.

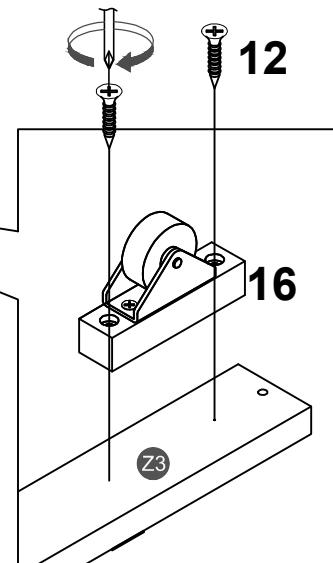
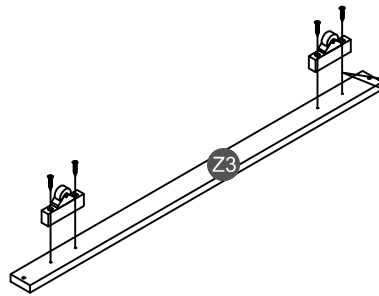
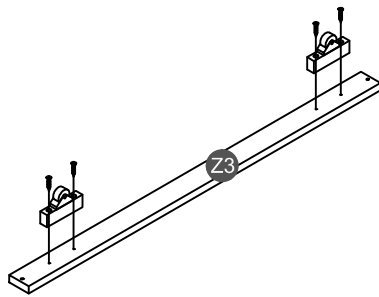
STEP 11:




Note: Do not lock the screws of the bed slats to the outermost edge of the bed slats, you need to leave a certain space at the edges, otherwise it will cause the board to break. Do not lock the bed slats on the edge of the wood, please hold firmly before screwing, hold it in place with one hand, then lock the screw.

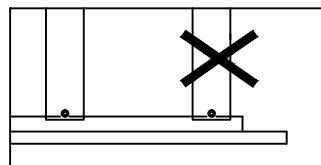
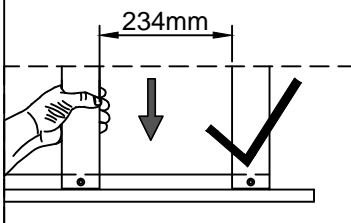
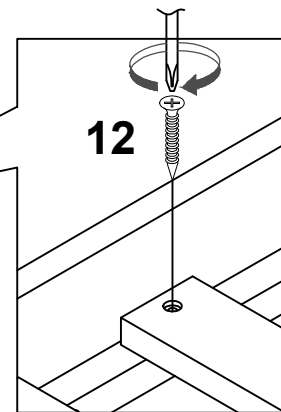
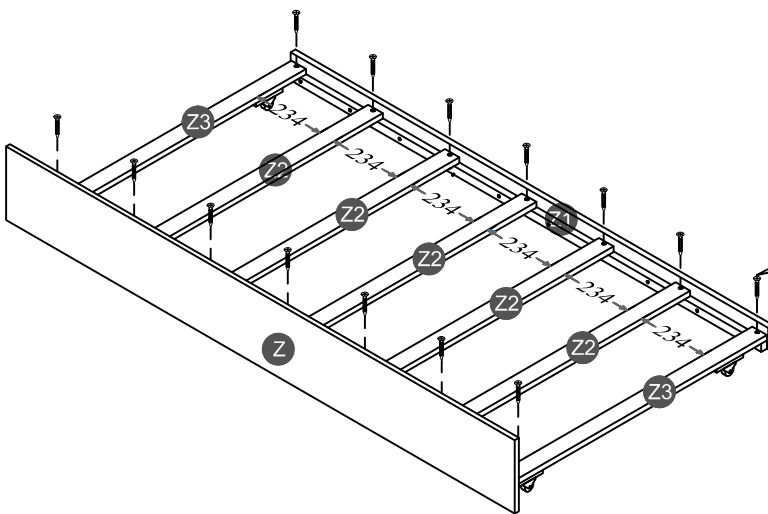
STEP 12:

12		16	
8PCS		4PCS	





STEP 13:

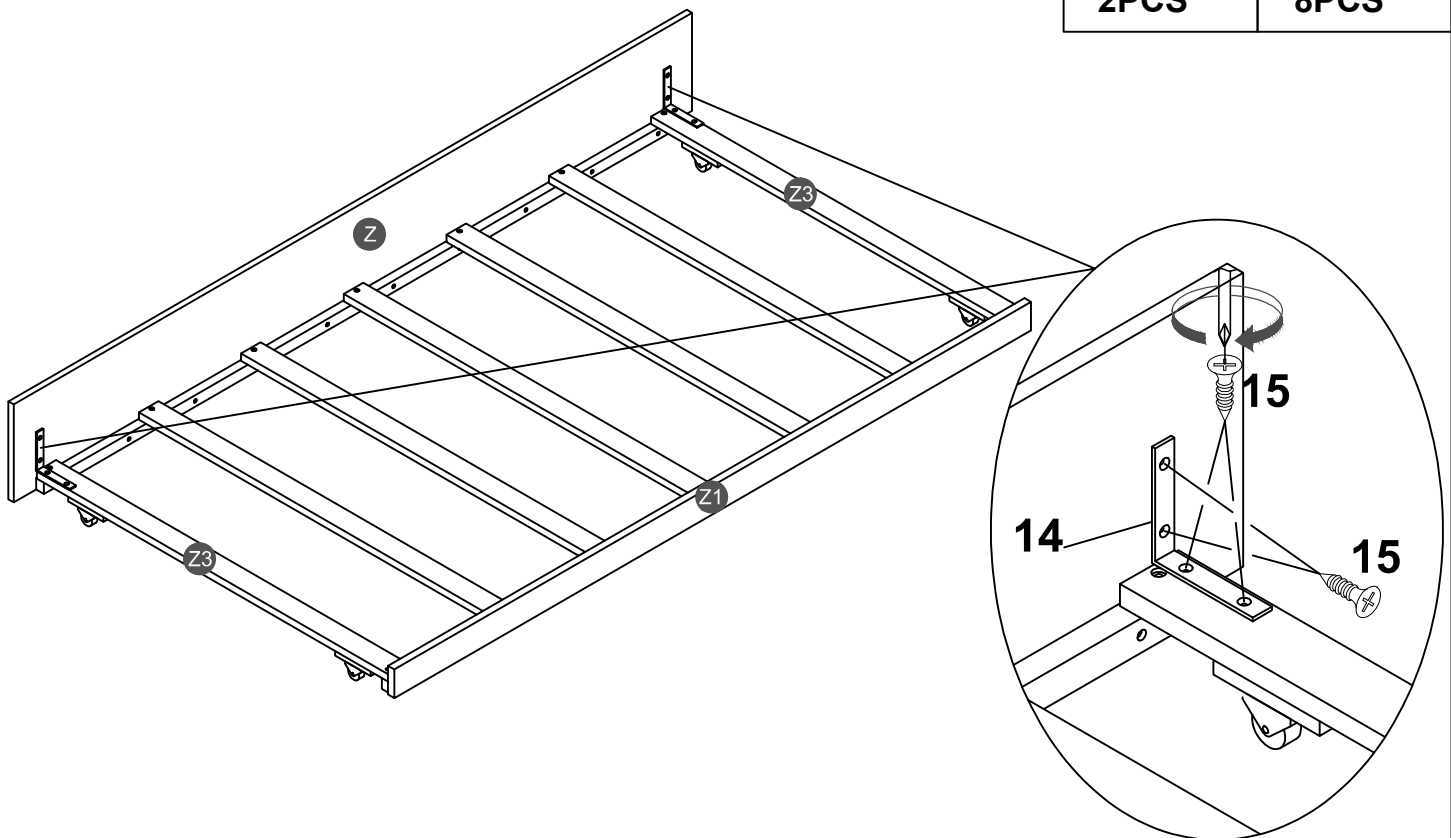
12	
14PCS	



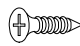
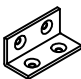
Note: Do not lock the screws of the bed slats to the outermost edge of the bed slats, you need to leave a certain space at the edges, otherwise it will cause the board to break.
Do not lock the bed slats on the edge of the wood, please hold firmly before screwing, hold it in place with one hand, then lock the screw.

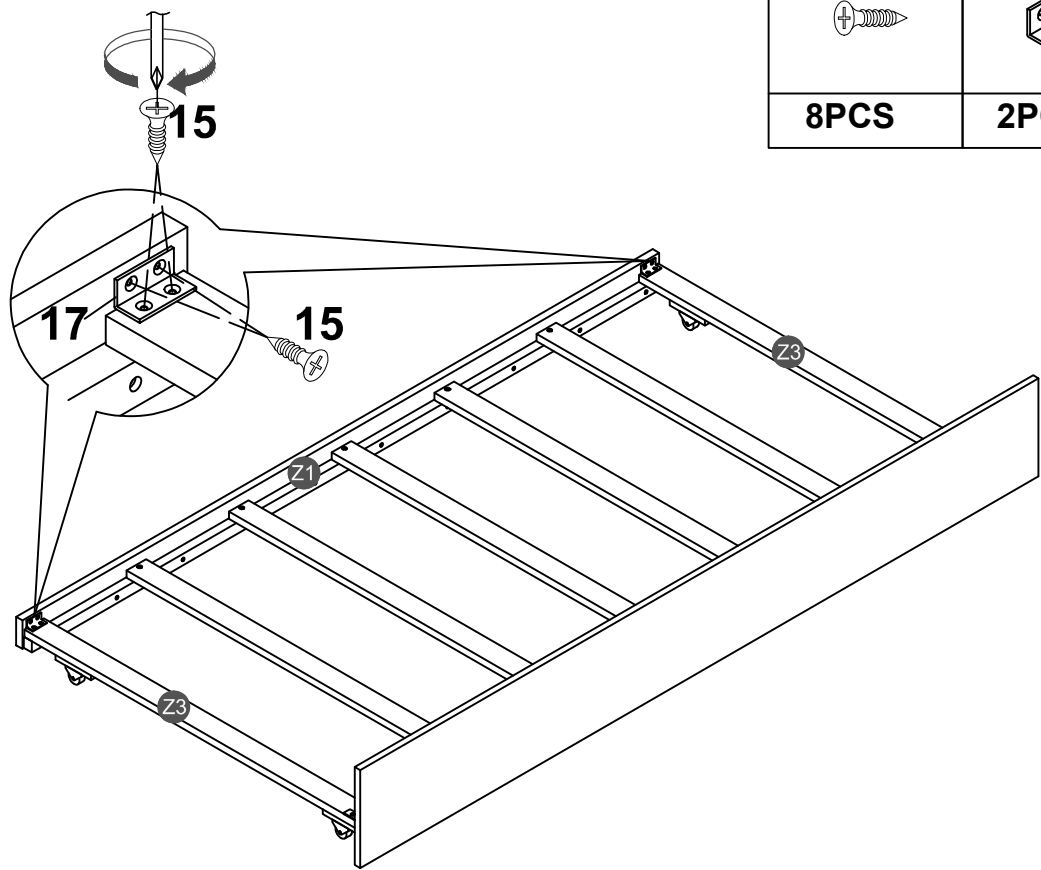
STEP 14:

14	15
	
2PCS	8PCS



STEP 15:

15	17
	
8PCS	2PCS



STEP 16:

