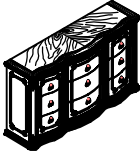




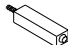







ASSEMBLY INSTRUCTIONS

ITEM NO: DRESSER
MIRROR

Thank you for purchasing this quality product. Be sure to check all packing material carefully for small parts, which may have come loose inside the carton during shipment. Identify and count all parts and compare with the **HARDWARE LIST** below.

NO.	PARTS LIST		Q'TY
A		Dresser	1
B		Front Bun Feet w/ Leveler	2
C		Bun Feet w/ screw	2
D		Mirror	1
E		Back support	2
F		Support leg	1

NO.	HARDWARE LIST		Q'TY
1		Ø1/4* 1 -1/2" Bolt	8
2		Ø1/4*13*1.2 Spring washer	8
3		Ø1/4*19*1.8 Flat washer	8
4		L57*4MM Allen wrench	1
5		Anti- tipping Hardware	1

