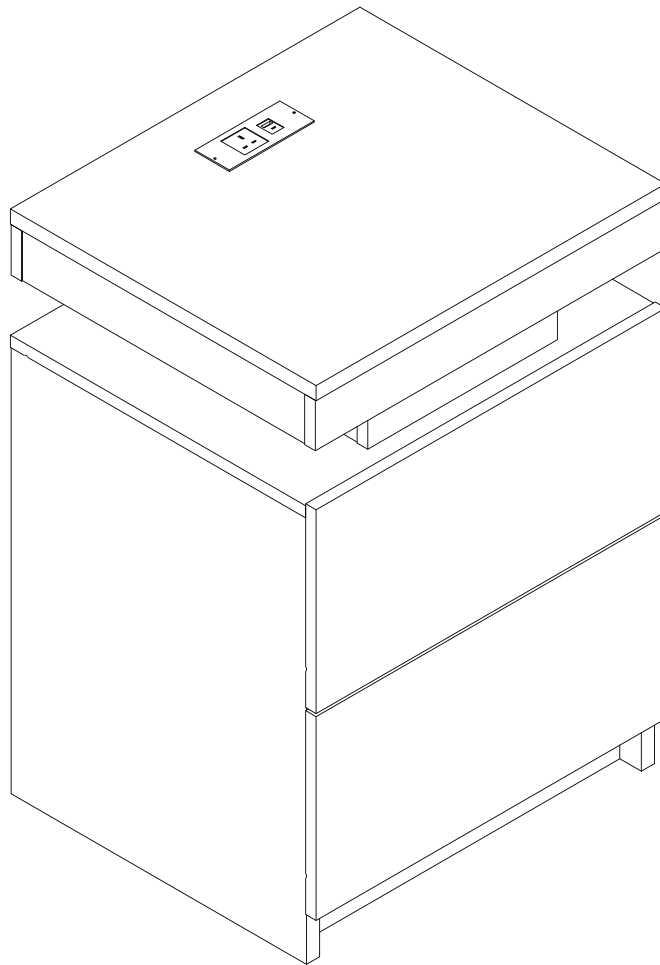
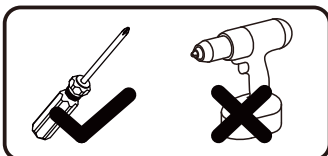
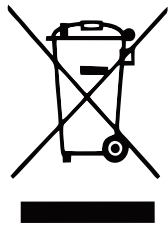


Product manual



V1.0

**UK
CA**



THE FOLLOWING INFORMATION:

- Order number
- Purchase platform
- Purchase date
- Detailed description of the issue along with photos (if applicable)

Important – Please read these instructions carefully before starting the installation.



Warning: Please read these instructions fully before starting assembly. Check you have all the components and tools listed on pages. Keep the instructions for later reference. Parts of the assembly will be easier with 2 people. Seek professional assistance if necessary.

Warning: Please place all parts on a flat surface. Place a soft blanket or similar underneath to protect against scratches or stains. Avoid dragging or sliding components across the floor.

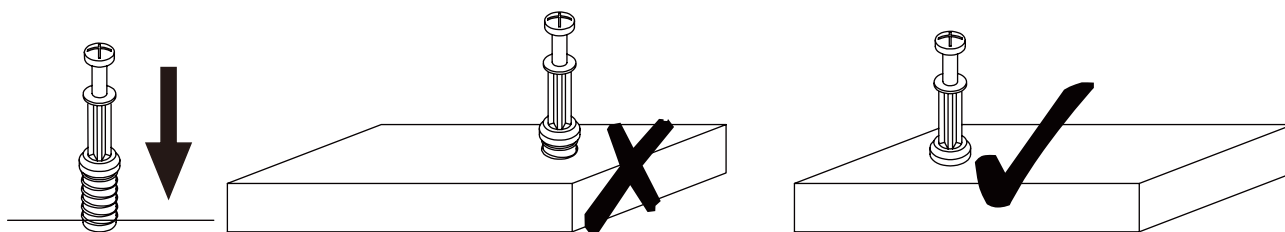
Warning: Regularly check all fittings and fastenings to ensure they are secure and to prevent accidents. If any parts are missing, broken, damaged, or worn, discontinue use of the product until repairs have been made using factory authorized parts.

Warning: Do not allow children to climb on the furniture as this may result in tipping and serious personal injury. Assemble the furniture away from the reach of children.

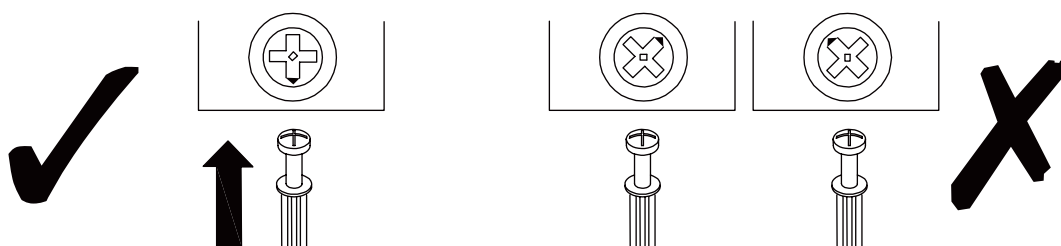
Warning: Do not place furniture close to fire sources or high-temperature objects to avoid the risk of fire. Do not place furniture in damp environments to prevent material damage.

Warning: Clean furniture with a damp cloth or alcohol, avoid using cleaning agents containing corrosive chemicals.

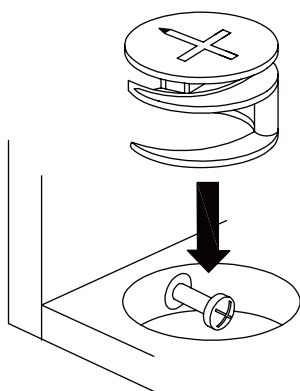
Warning: This product is equipped with an anti-tilt device. Please be sure to install this device to prevent unnecessary injuries caused by tipping.



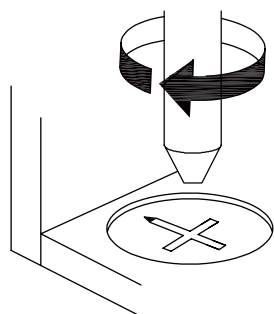
QUICKFIT: Tighten quickfit until shoulder is flush with panel. Do not overtighten or undertighten.



CAM LOCK: When fitting cam lock, ensure starting position is correct before you insert connecting quickfit.

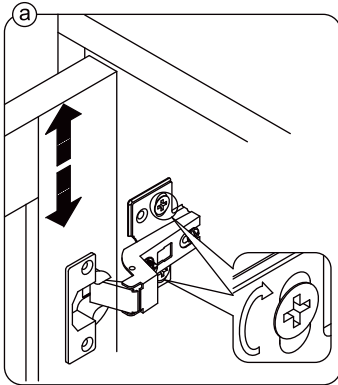


Quickfit head should be in the centre of the cam lock when the two panels are joined.
Cam lock should be inserted before quickfit.

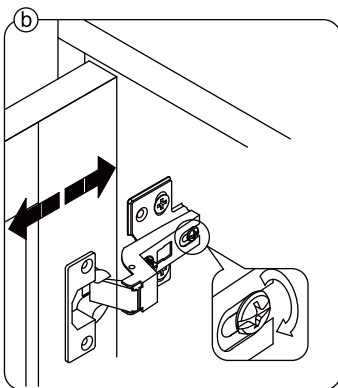


Turn cam lock clockwise to tighten.

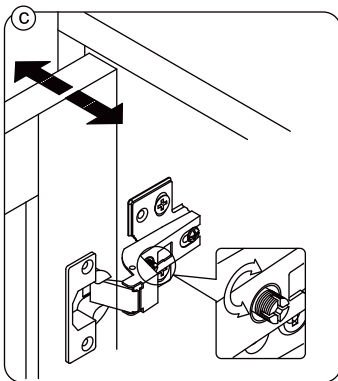
It may be necessary to adjust the hinges so that the doors align. Use the instructions below as a guide.



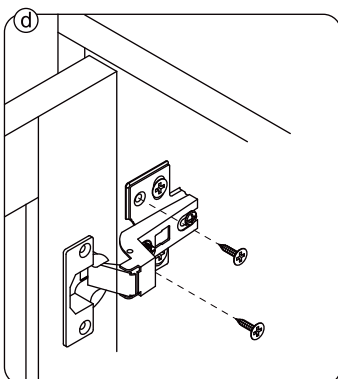
To adjust the door vertically loosen the screw as shown and move up and down as needed.



To adjust the gap from the door to the main frame turn the screw clockwise or anti-clockwise as needed.



To adjust the door laterally adjust the screw as shown by turning clockwise or anti-clockwise.



Please fix other screws

CUSTOMER SERVICE GUIDE

Thank you for choosing our product! We are committed to providing you with excellent service. If you find any missing parts, damaged packaging, or product damage after receiving all packages, please follow the steps below to quickly contact our customer service team. We will do our best to resolve your issue.

1. Missing Parts

Verify Parts:

1. Refer to the “Parts List” in the manual to verify the name, specifications, and quantity of the missing parts.
2. Take a clear photo of the parts list and mark the missing parts with detailed information, e.g., “Missing 5 pieces of M6X30mm screws.”

Contact Us:

· By Email:

Send an email with the subject line “Missing Parts Issue.” Include the following in the email:

- A description of the missing parts and a photo of the parts list.
- Order details (order number, purchase platform, purchase date).

2. Product or Packaging Damage

If it affects normal use:

Steps:

1. Take clear photos or videos showing the damaged parts and the extent of the damage (multiangle shots are recommended).
2. Email the photos/videos along with order details with the subject line “Product Damage Issue.”

Resolution:

After verification, we will arrange for a replacement part, product exchange, or refund as quickly as possible.

If it does not affect normal use:

Steps:

1. Contact our customer service team.
2. Provide a description of the damage and include relevant photos or videos.

Resolution:

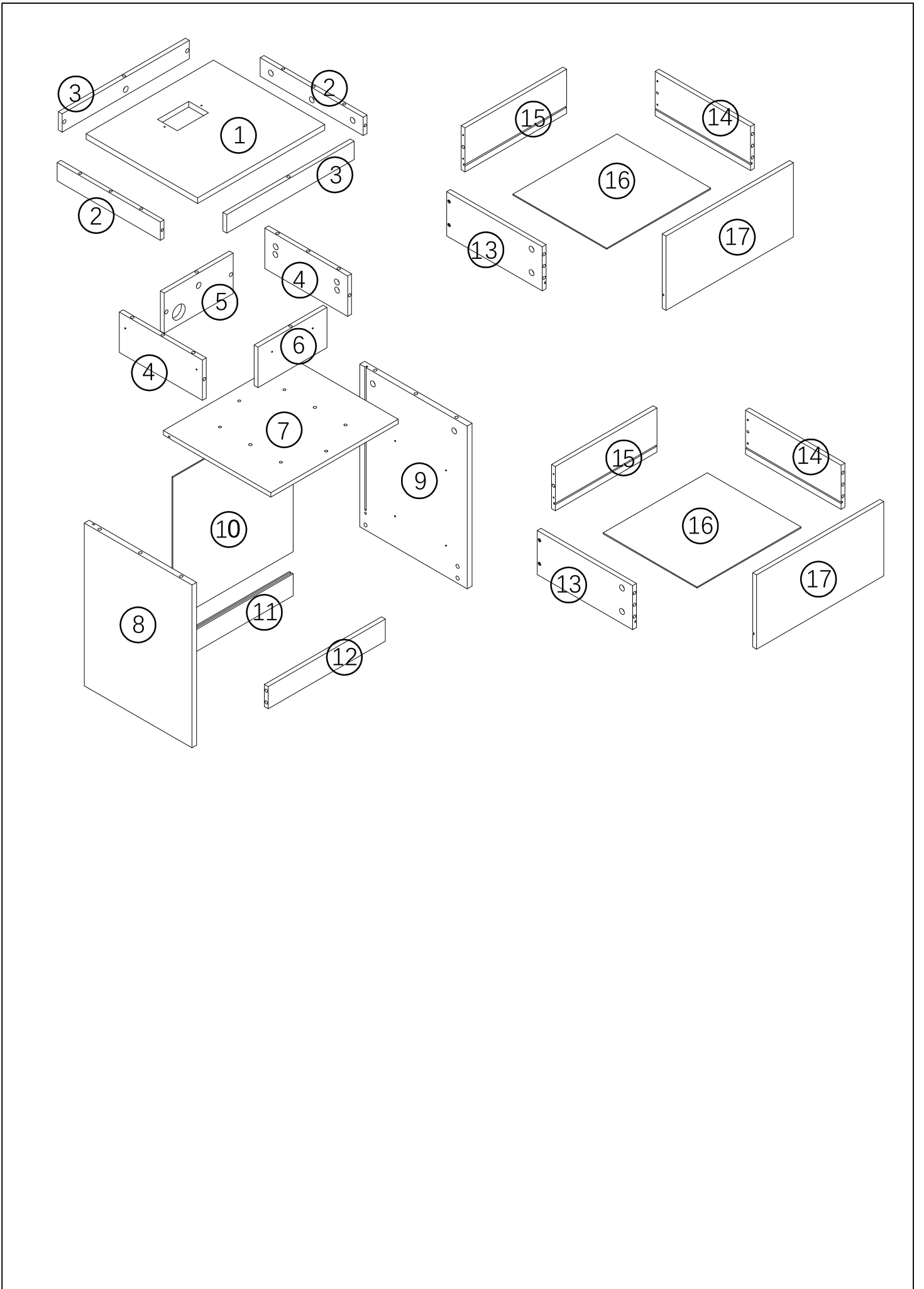
We will provide repair guidance or an appropriate compensation plan based on the specific situation.

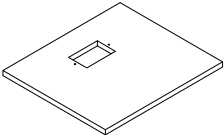
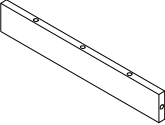
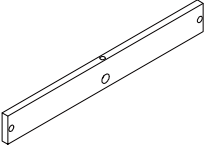
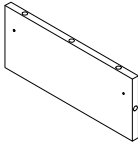
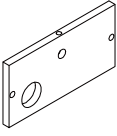
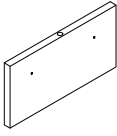
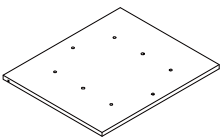
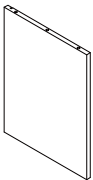
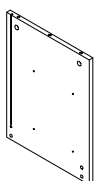
Helpful Tips

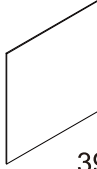

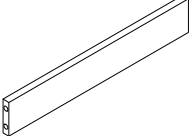
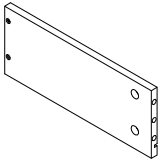
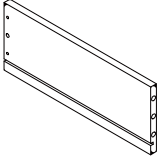
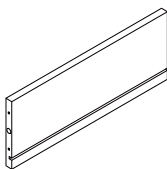
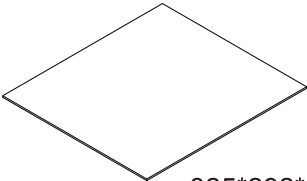
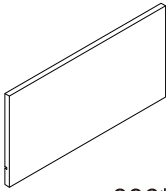

To process your issue efficiently, please prepare the following information:

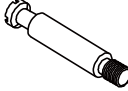

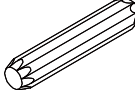

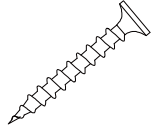




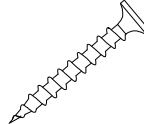
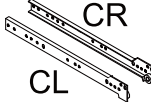
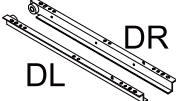
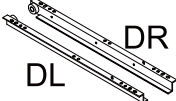
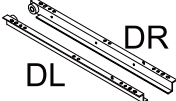


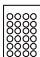

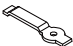
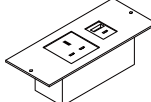

- Order details (order number, purchase platform, purchase date).
- Clear photos or videos.
- We are committed to providing quick and professional solutions, no matter the size of the issue, to ensure your satisfaction.

Thank you for your trust and support! We hope you enjoy using our product!

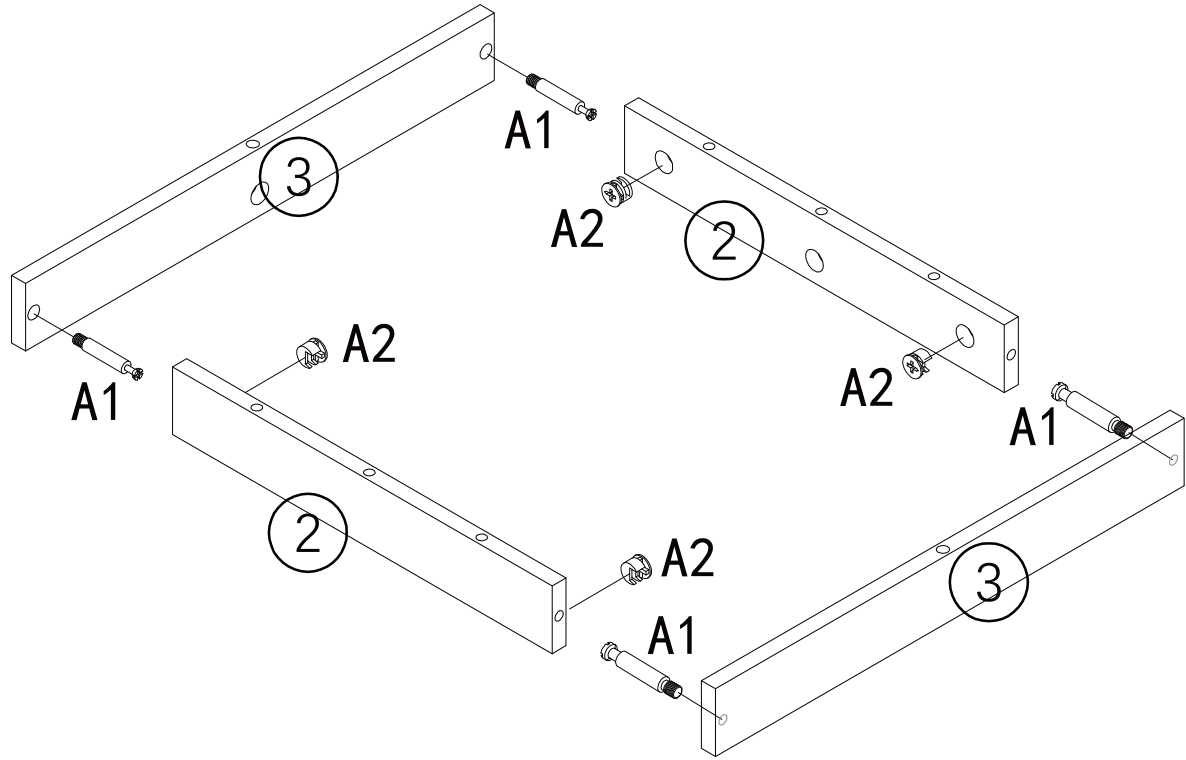


NO.	PARTS	QTY
①	 400*350*15mm	1
②	 324*50*12mm	2
③	 400*50*12mm	2
④	 110*195*12mm	2
⑤	 110*215*12mm	1
⑥	 110*215*12mm	1
⑦	 400*338*12mm	1
⑧	 443*338*15mm	1
⑨	 443*338*15mm	1

NO.	PARTS	QTY
⑩	 393*373*3mm	1
⑪	 365*56*12mm	1
⑫	 365*56*12mm	1
⑬	 297*120*12mm	2
⑭	 297*120*12mm	2
⑮	 317*120*12mm	2
⑯	 325*292*3mm	2
⑰	 396*200*12mm	2
	 Fittings Box	

<p>A1 x 36</p> 	<p>A2 x 36</p> 	<p>B x 20</p> <p>6*30mm</p> 	<p>C x 16</p> <p>3.5*12mm</p> 	<p>D x 8</p> <p>4*30 mm</p> 
<p>E x 1</p> <p>4*12mm E1</p>  <p>E2</p>  <p>E3</p>  <p>4*40mm</p> <p>E4</p> 	<p>F x 6</p> <p>4*35mm</p> 	<p>x 2</p> <p>L300mm</p> <p>CR</p>  <p>CL</p>  <p>DR</p>  <p>DL</p> 	<p>H x 4</p> <p>3*14mm</p> 	<p>I x 8</p> <p>3*12mm</p> 
<p>J x 1</p>  	<p>K x 8</p> 	<p>L x 1</p> 	<p>M x 2</p> <p>3*12mm</p> 	

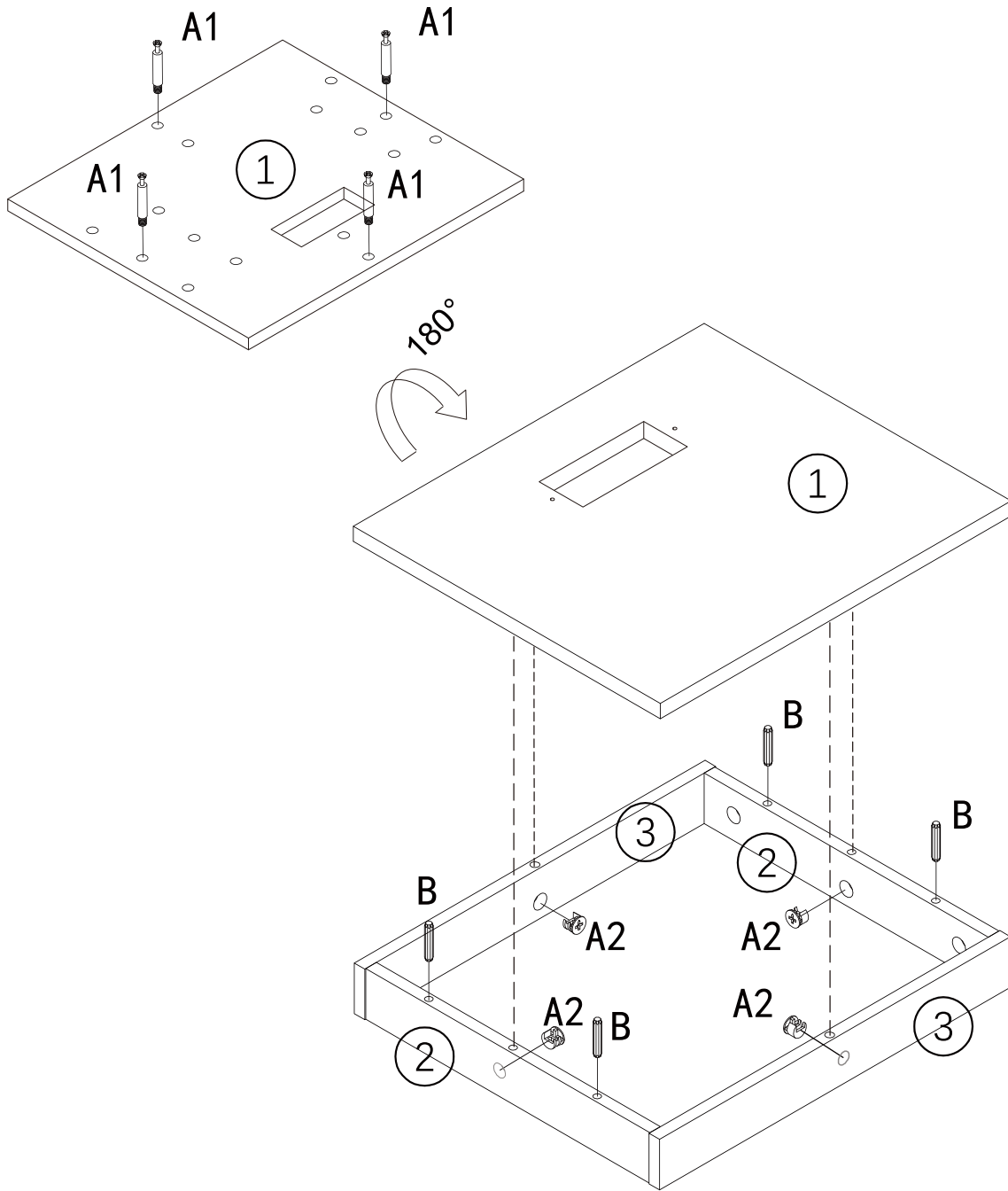
1



A1 *4 A2 *4

Install hardware (A1) onto panel #3, then connect panels #2 and #3, and secure with hardware (A2).

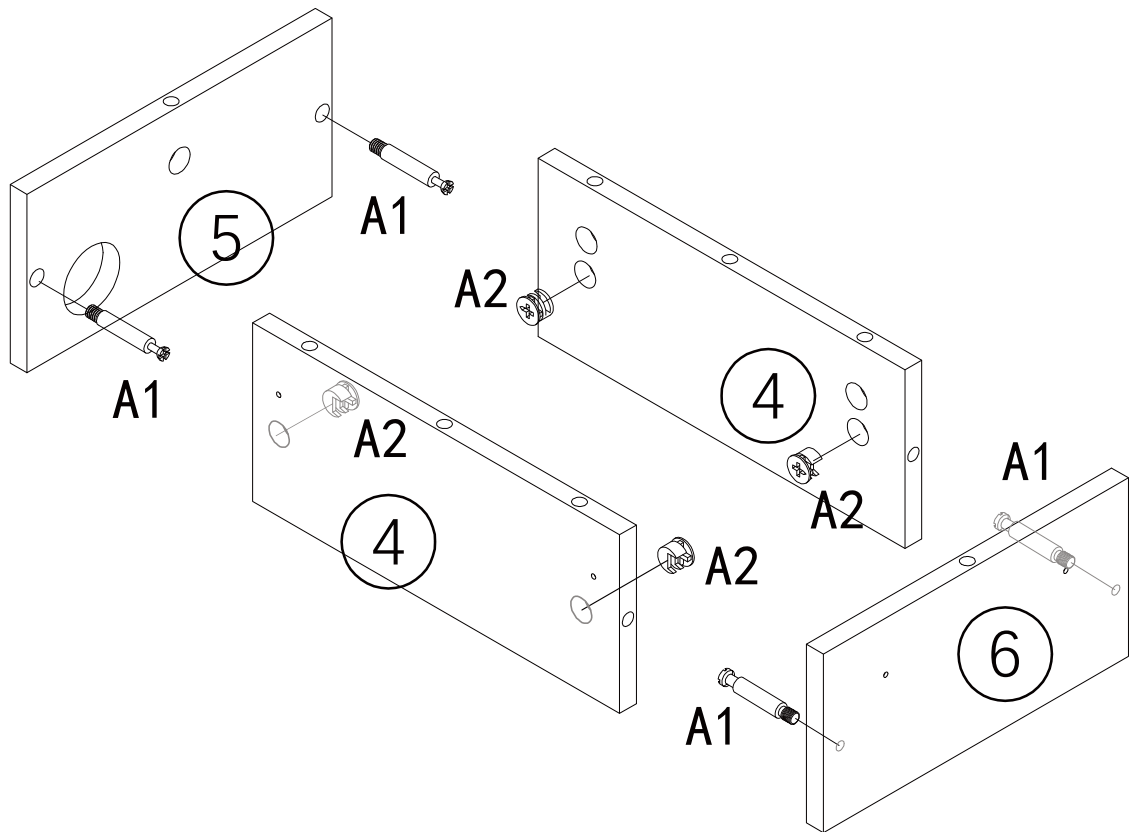
2



B *4 A1 *4 A2 *4

Install hardware (A1) onto panel #1. Rotate 180°, insert wooden dowel (B) into panel #2, connect panels #1, #2 and #3, and secure with hardware (A2).

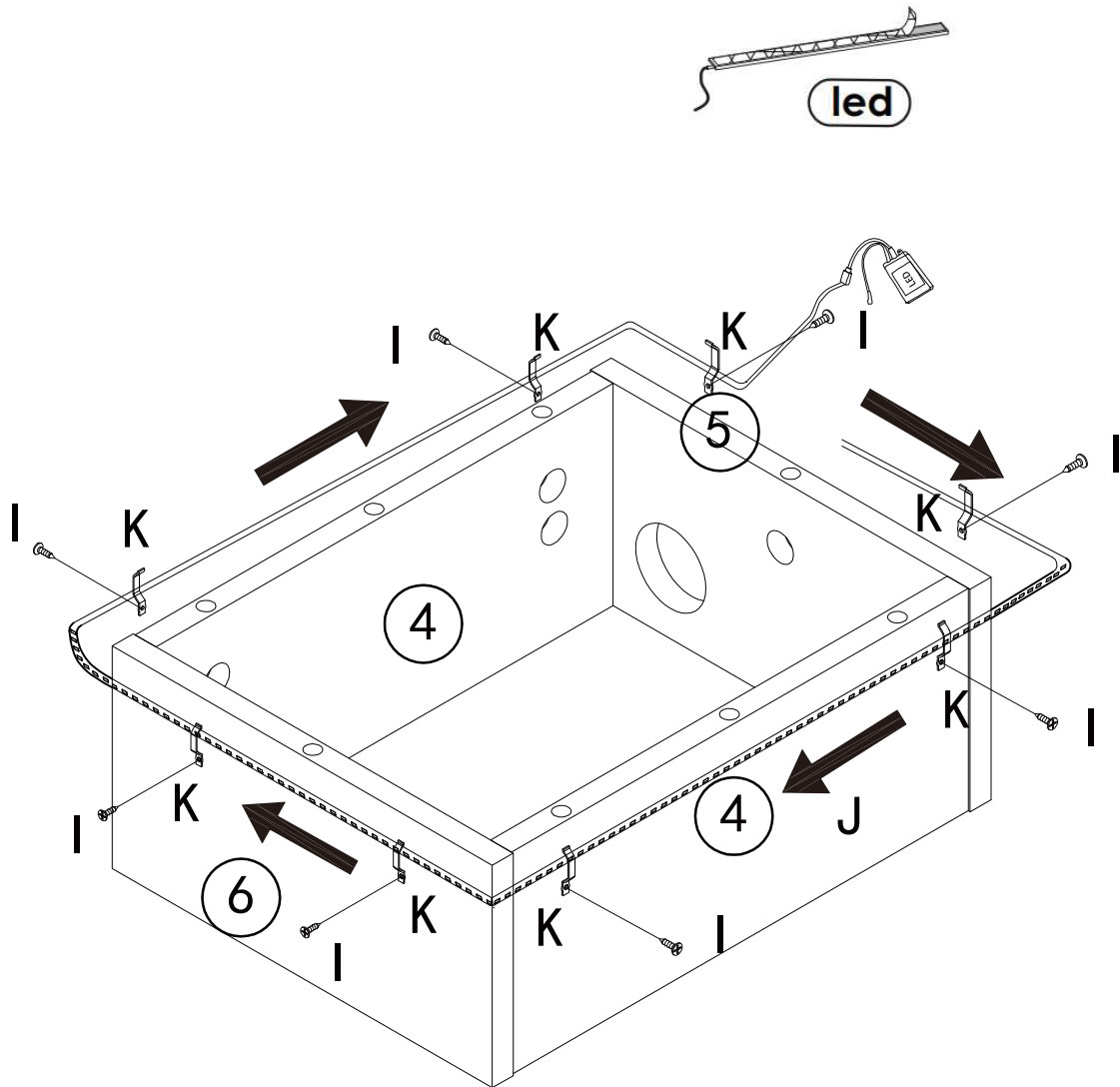
3



A1 *4 A2 *4

Install hardware (A1) onto panels #5 and #6, connect panels #4, #5 and #6, and secure with hardware (A2).

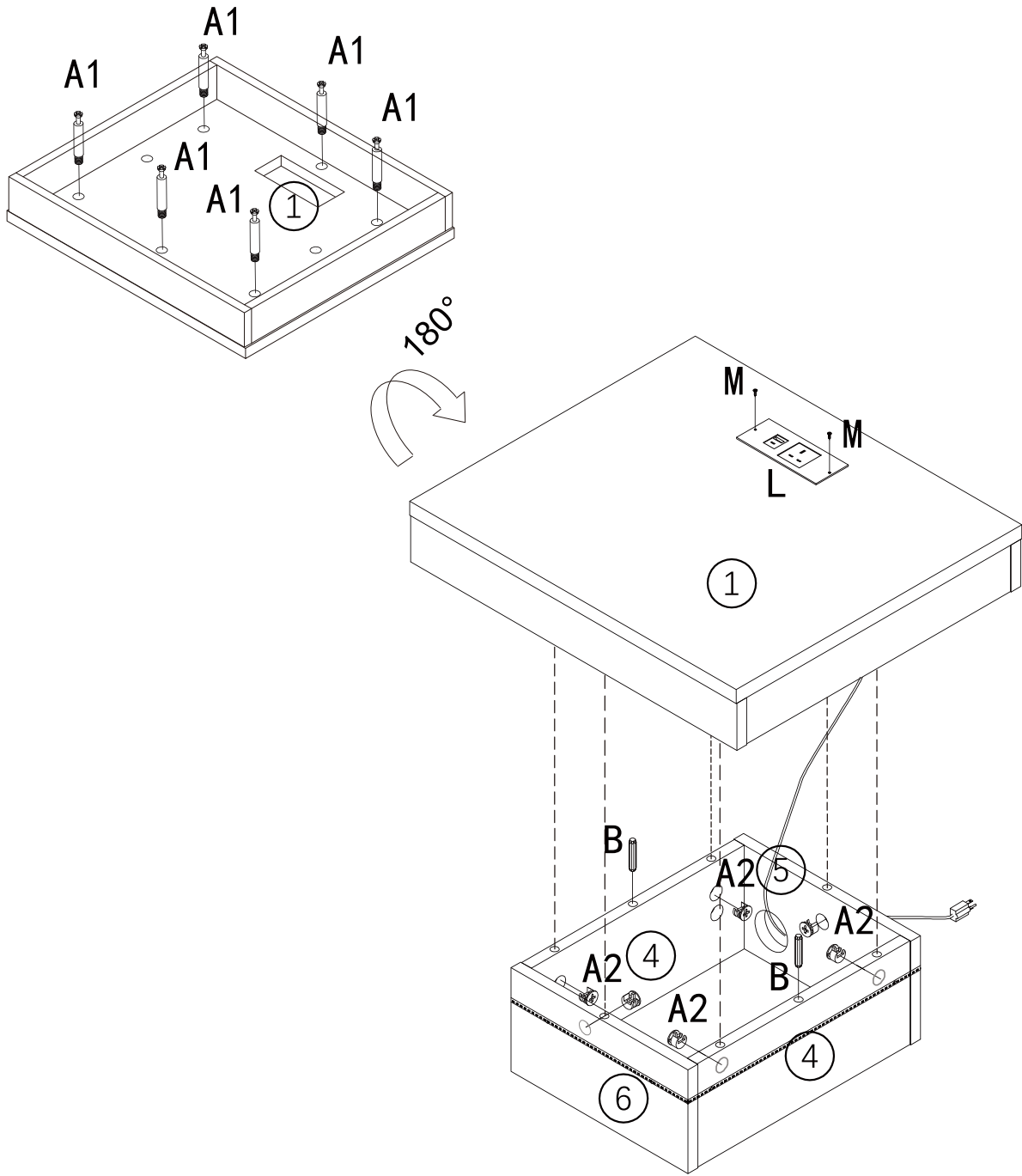
4



I * 8 K * 8 J * 1

Wrap the LED strip J around in the direction shown in the diagram, and secure it with screws I and clips K.

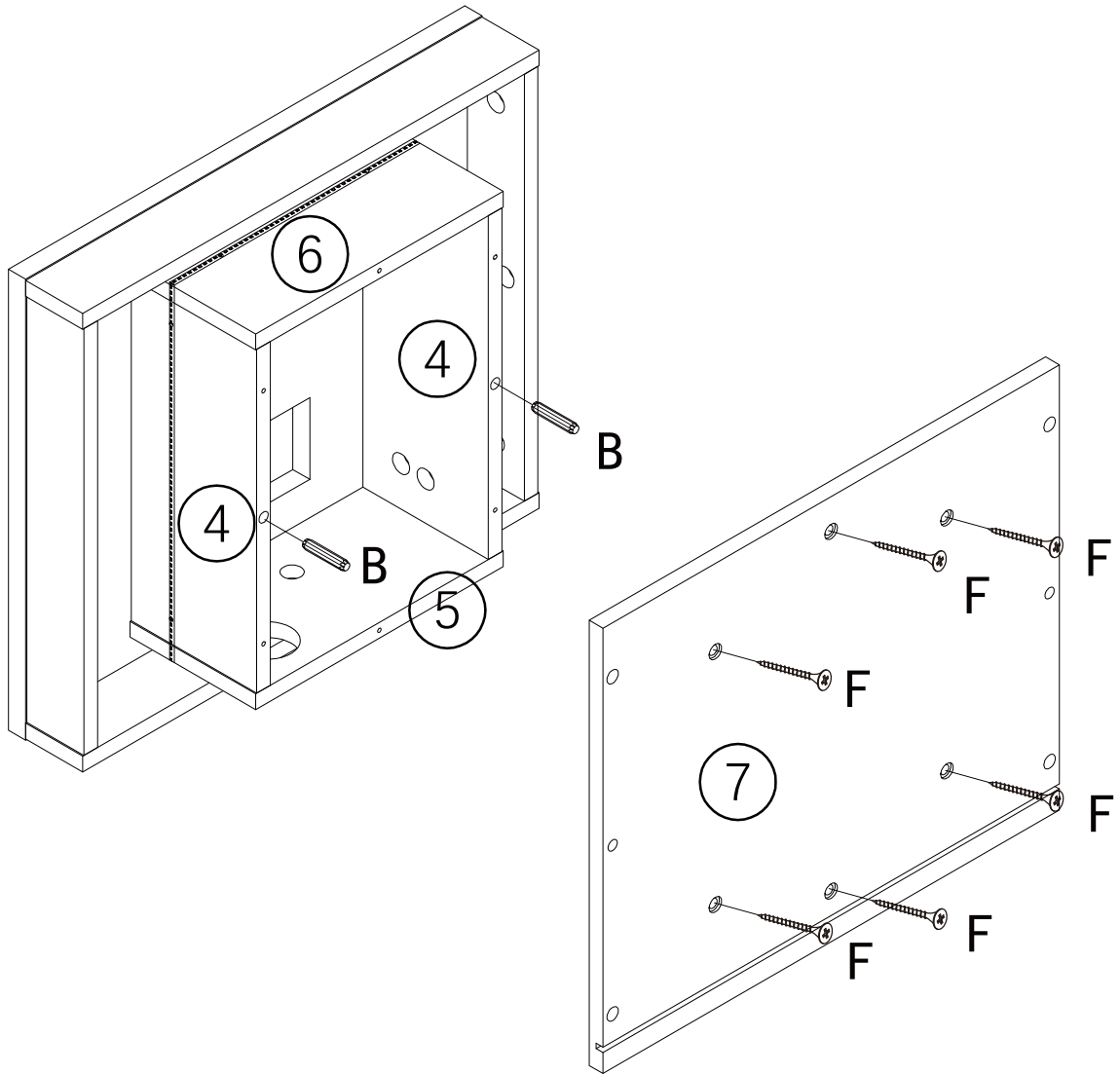
5



A1 *6	A2 *6	B *2	L *1	M *2
-------	-------	------	------	------

1. Install hardware (A1) onto the assembled panel #1 and rotate 180°.
2. Install the power socket (L) onto panel #1 using screw (M).
3. Insert wooden dowel (B) into panel #4, connect panels #1, #4, #5 and #6. Route the power cable through the wiring slot, then secure with hardware (A2).

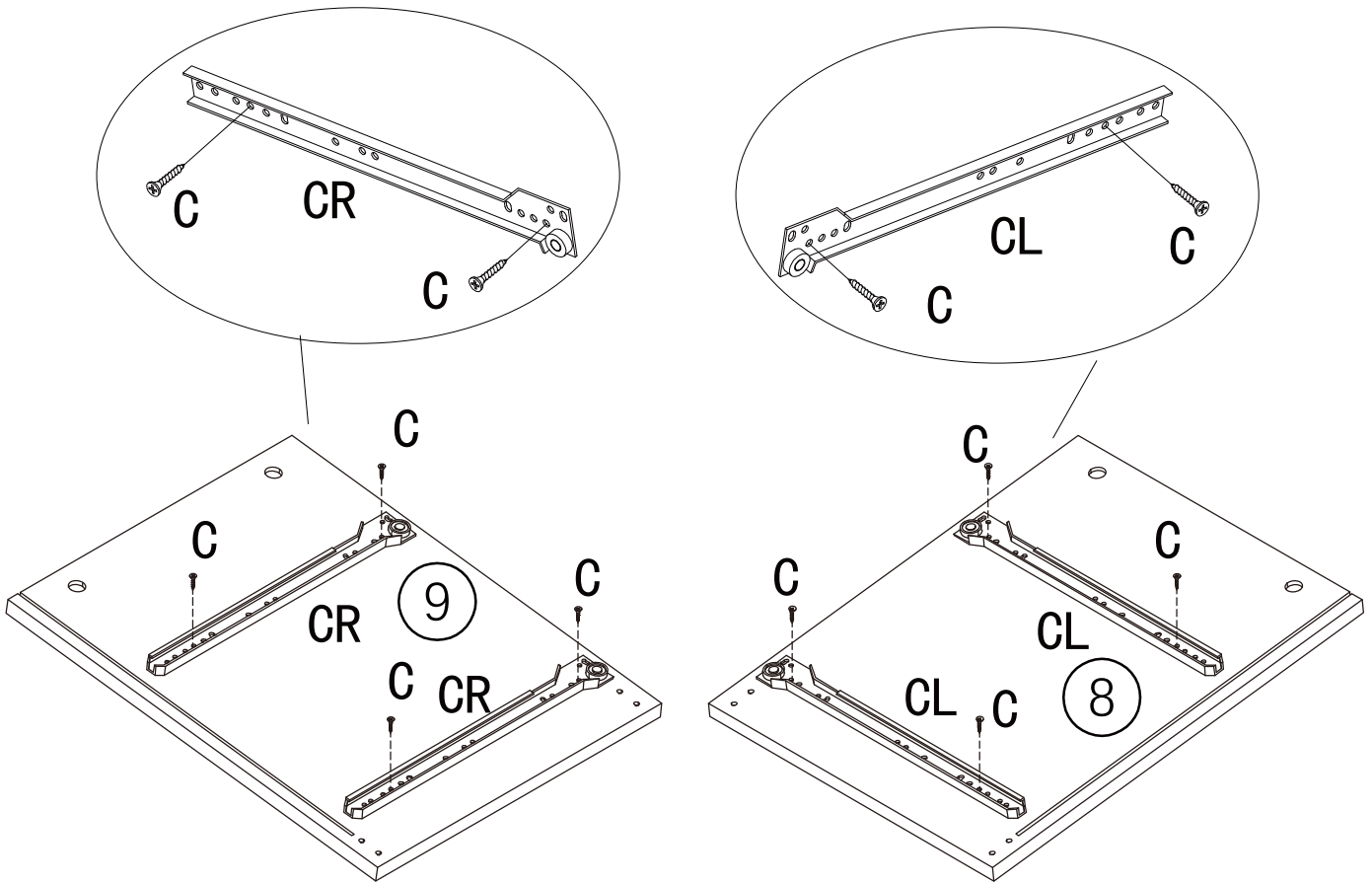
6



B *2 F *6 4*35mm

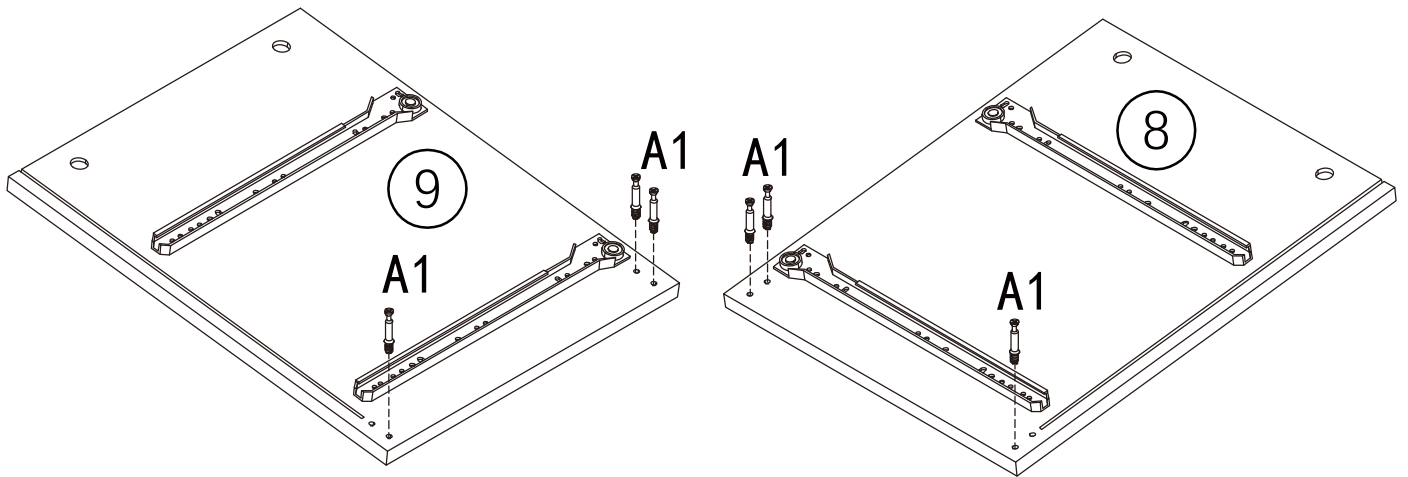
Insert wooden dowel (B) into panel #4, connect panels #4, #5, #6 and #7, and secure with screw (F).

7



CR *2 CL *2 C *8

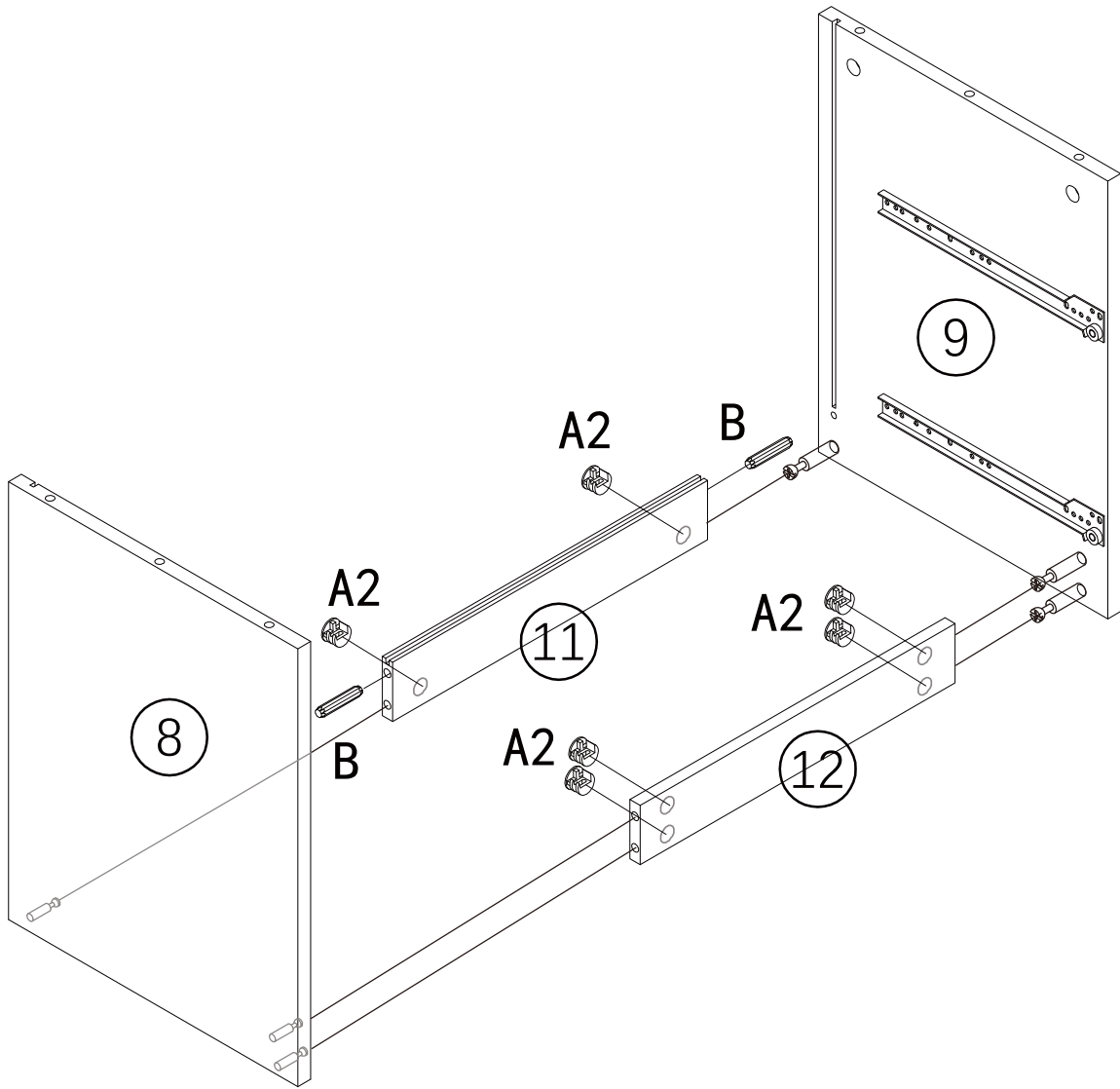
Attach drawer slide CR to panel #9 and drawer slide CL to panel #8 using screw C.



A1 *6

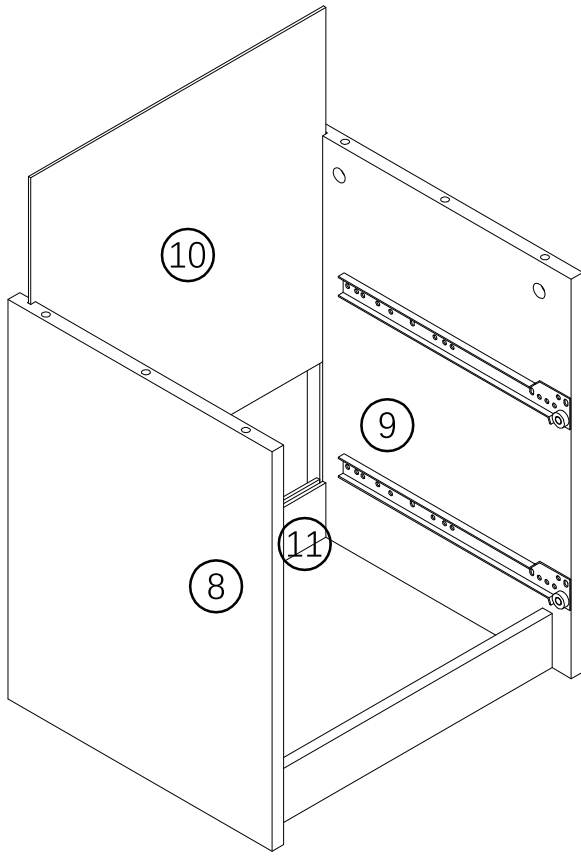
Install hardware A1 onto panel #8 and #9.

9

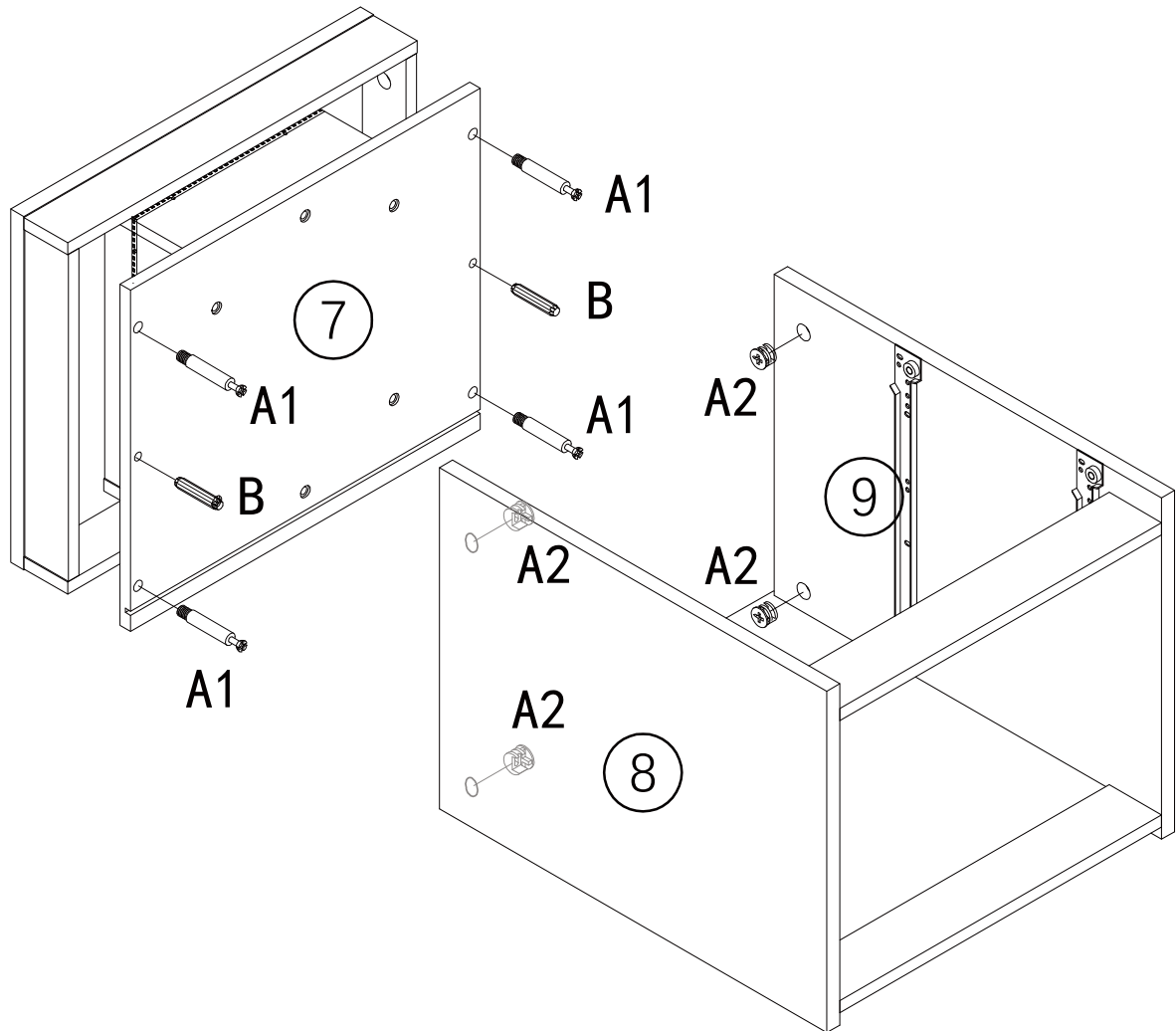


A2 *6 B *2

Insert wooden dowel B into panel #11, connect panels #8, #9, #11, and #12, and secure them with hardware A2.



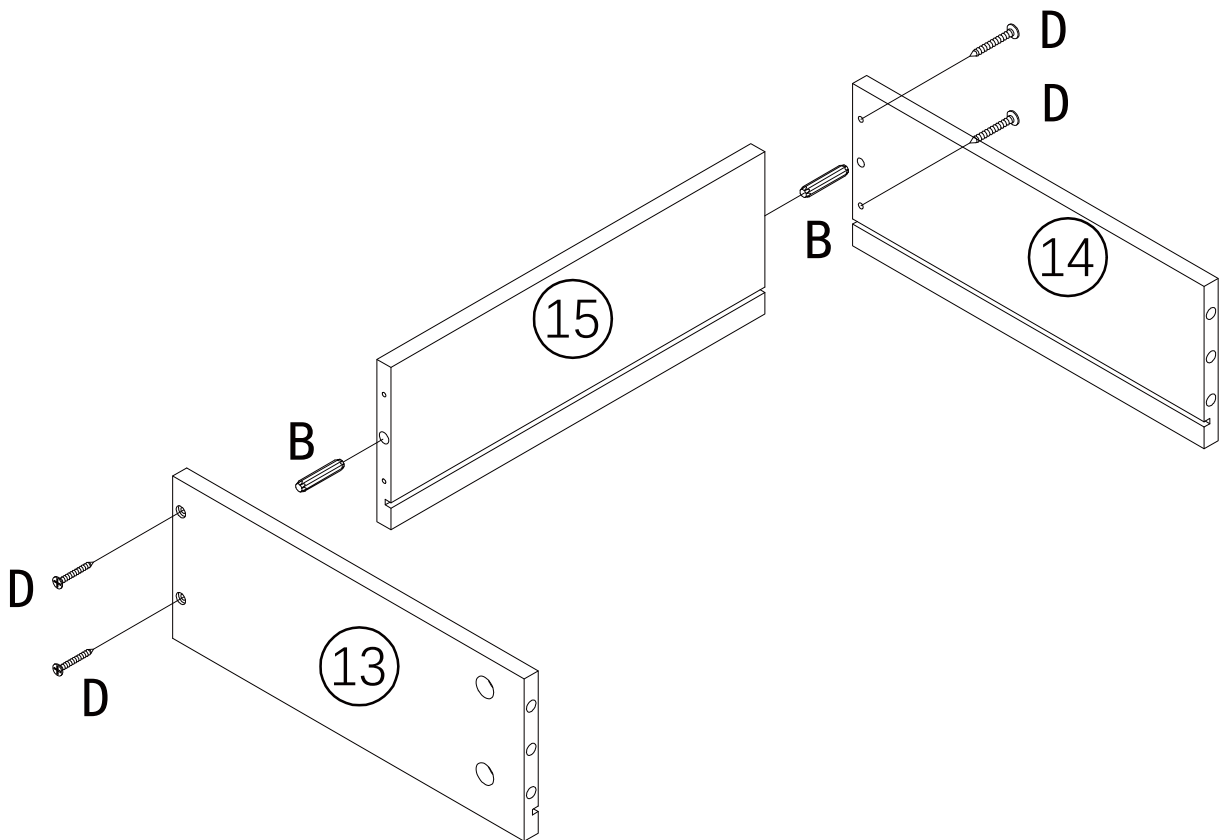
Insert backplane #10.



A1 *4 A2 *4 B *2

Install hardware (A1) onto panel #7. Insert wooden dowel (B) into panel #7, connect panels #7, #8 and #9, and secure with hardware (A2).

12

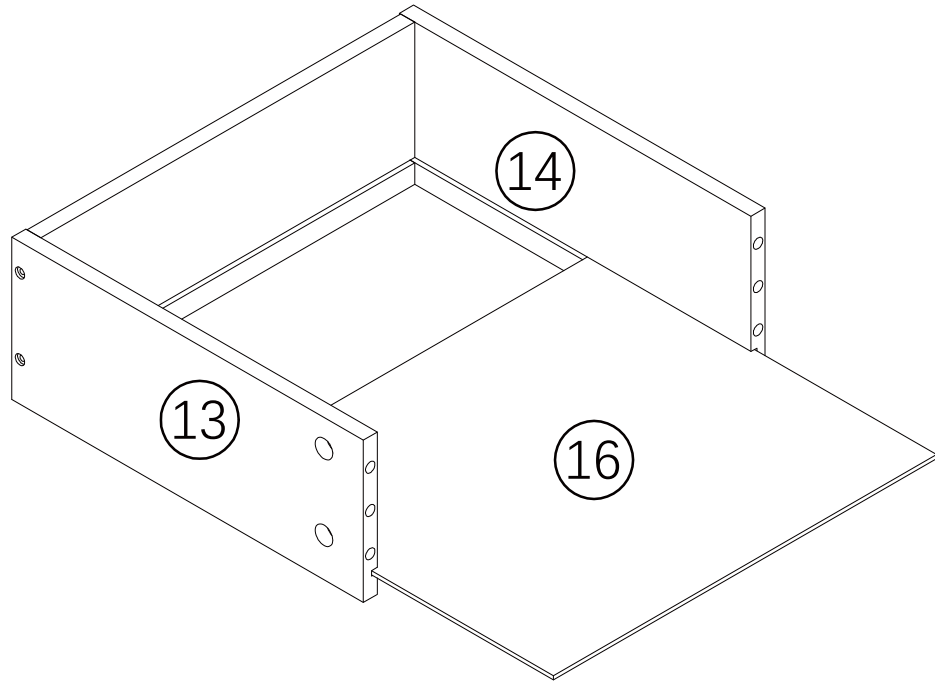


X2

B *4 D *8 4*30mm

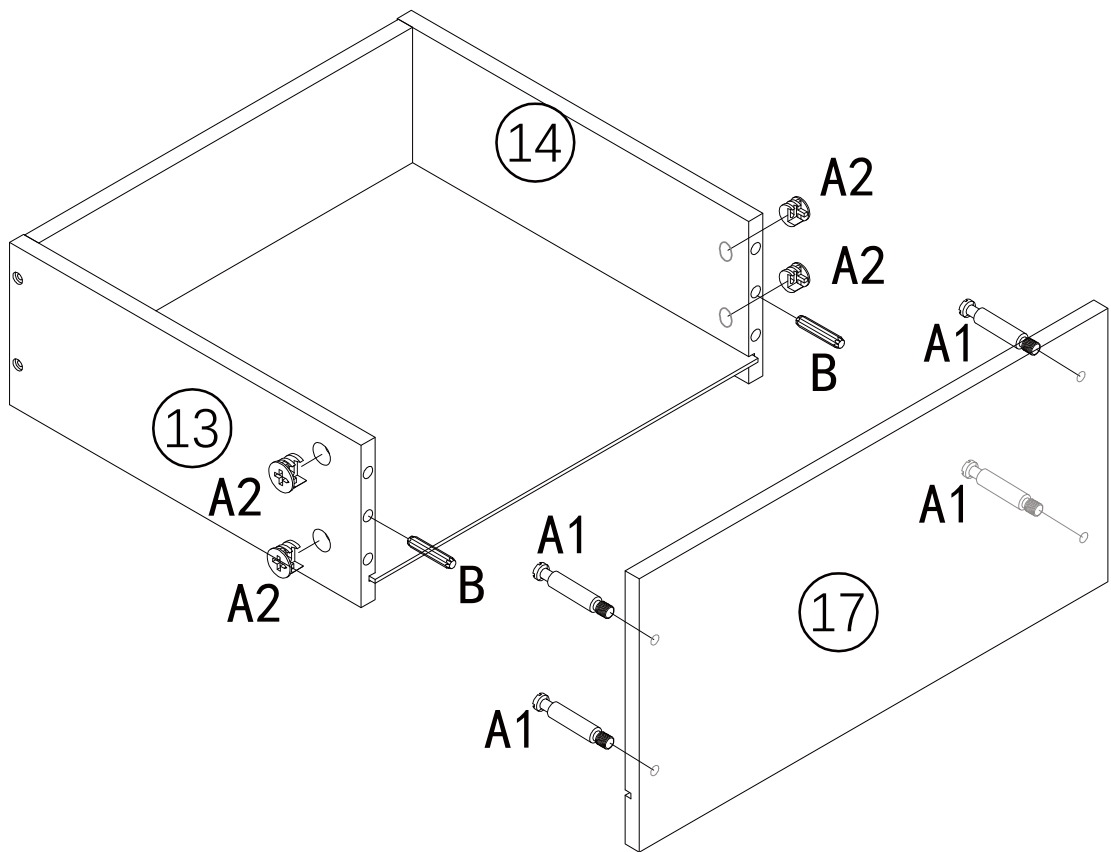
Insert wooden dowel (B) into panel #15, connect panels #13, #14 and #15, and secure with screw (D).

13



X2

Insert panel #16.

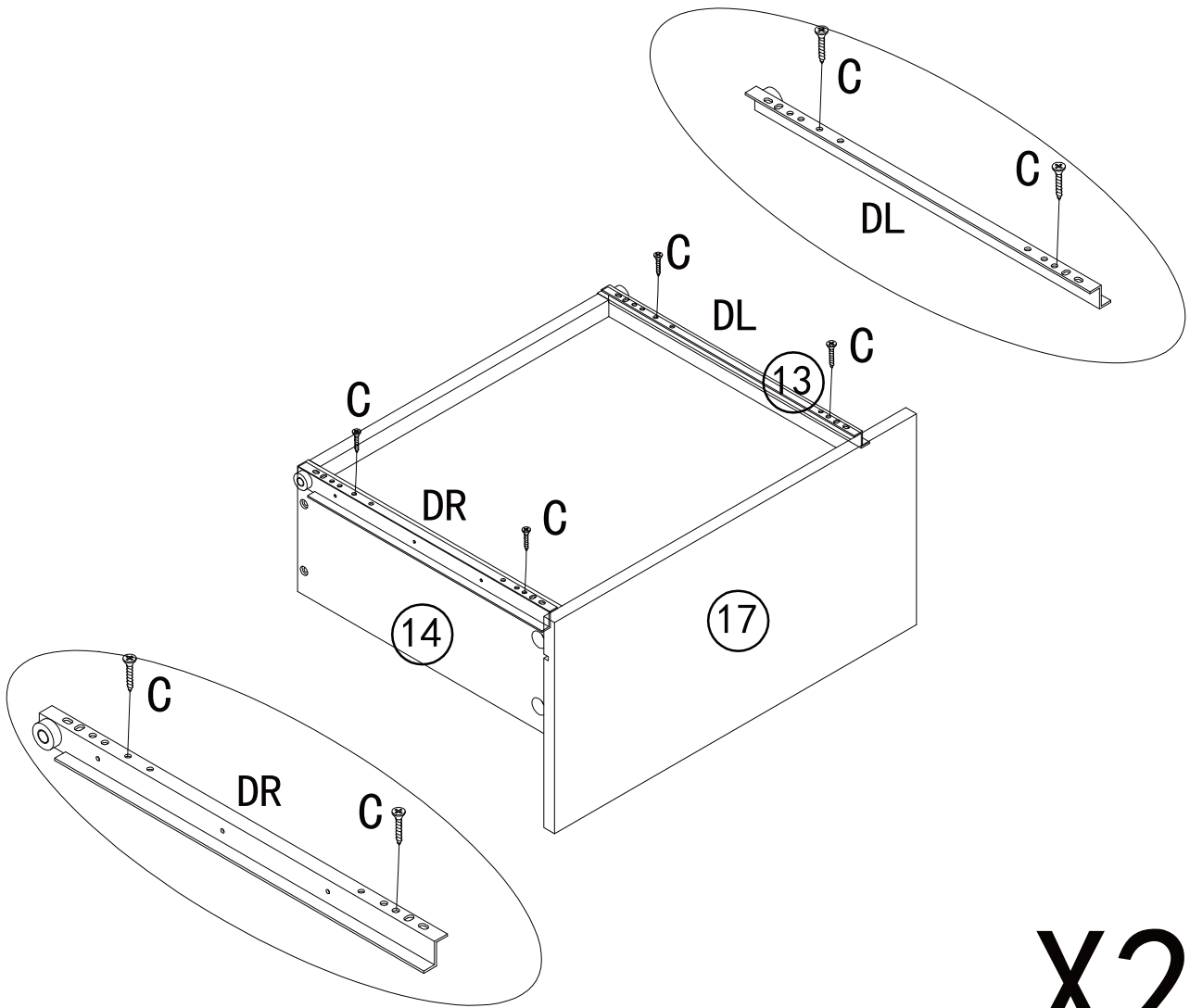


X2

A1 *8	A2 *8	B *4
-------	-------	------

Install hardware (A1) onto panel #17. Insert wooden dowel (B) into panels #13 and #14, connect panels #13, #14 and #17, and secure with hardware (A2).

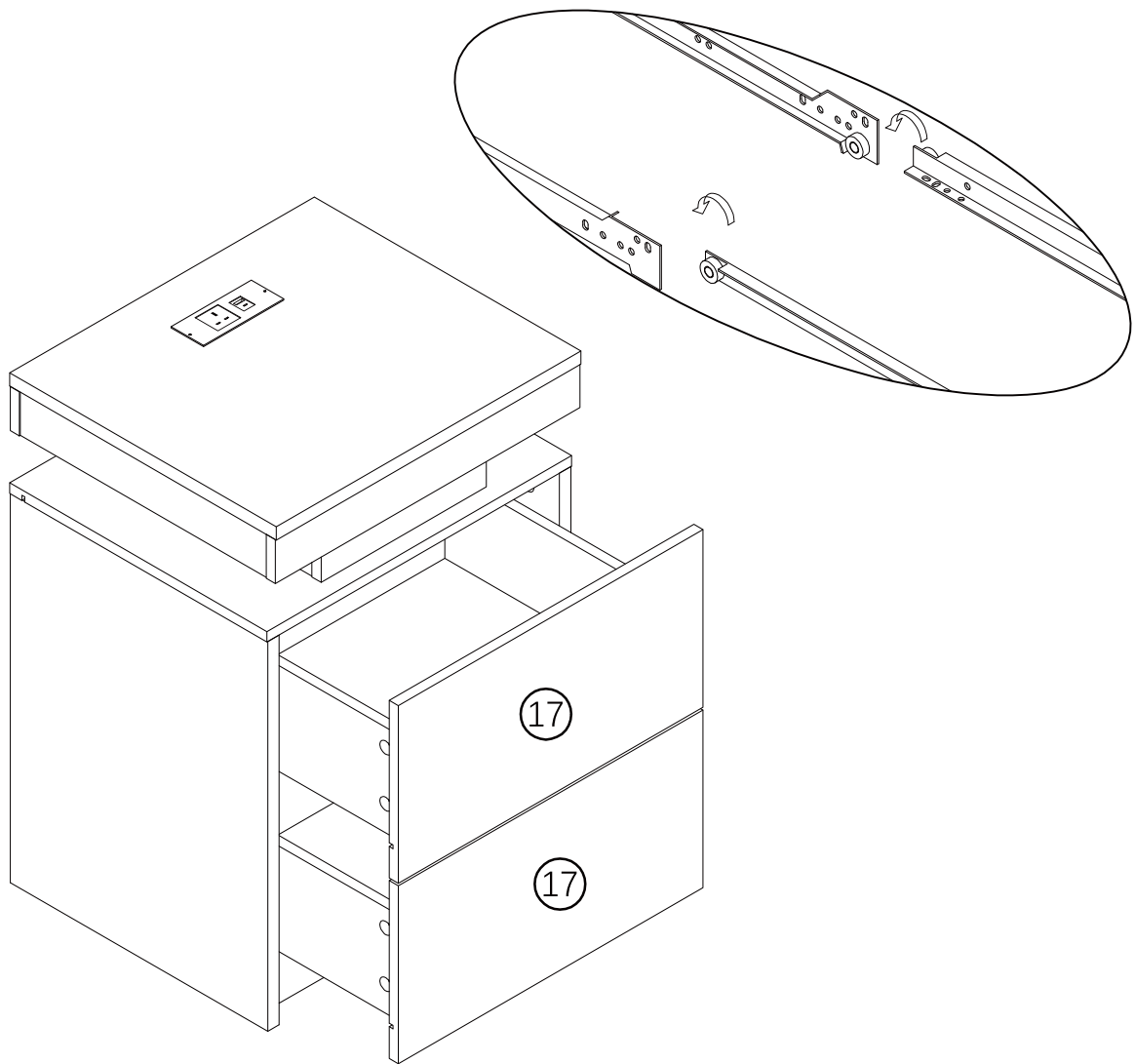
15



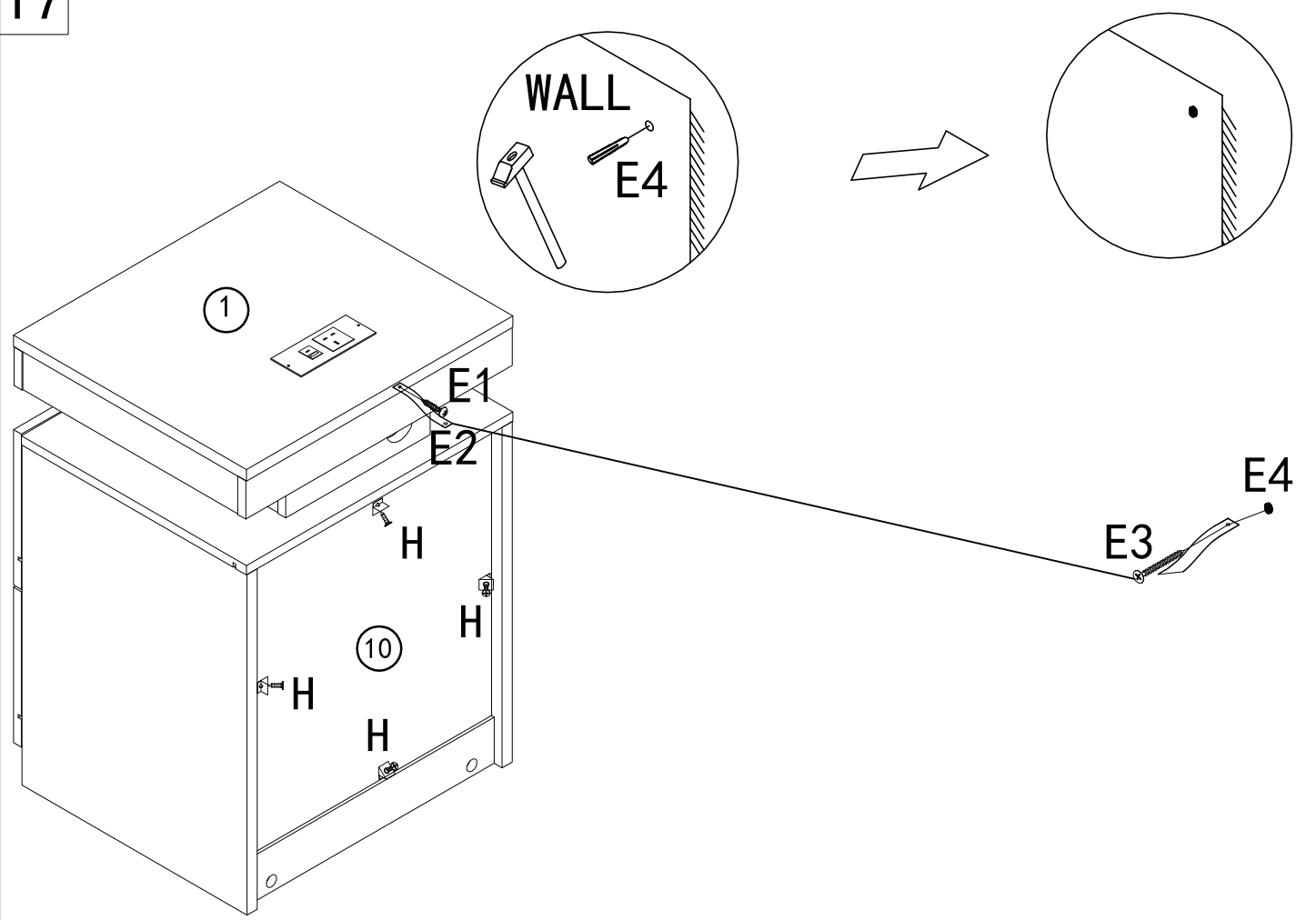
X2

DL *2	DR *2	C *8
-------	-------	------

Using screw (C), install drawer slide (DR) onto panel #14 and drawer slide (DL) onto panel #13.

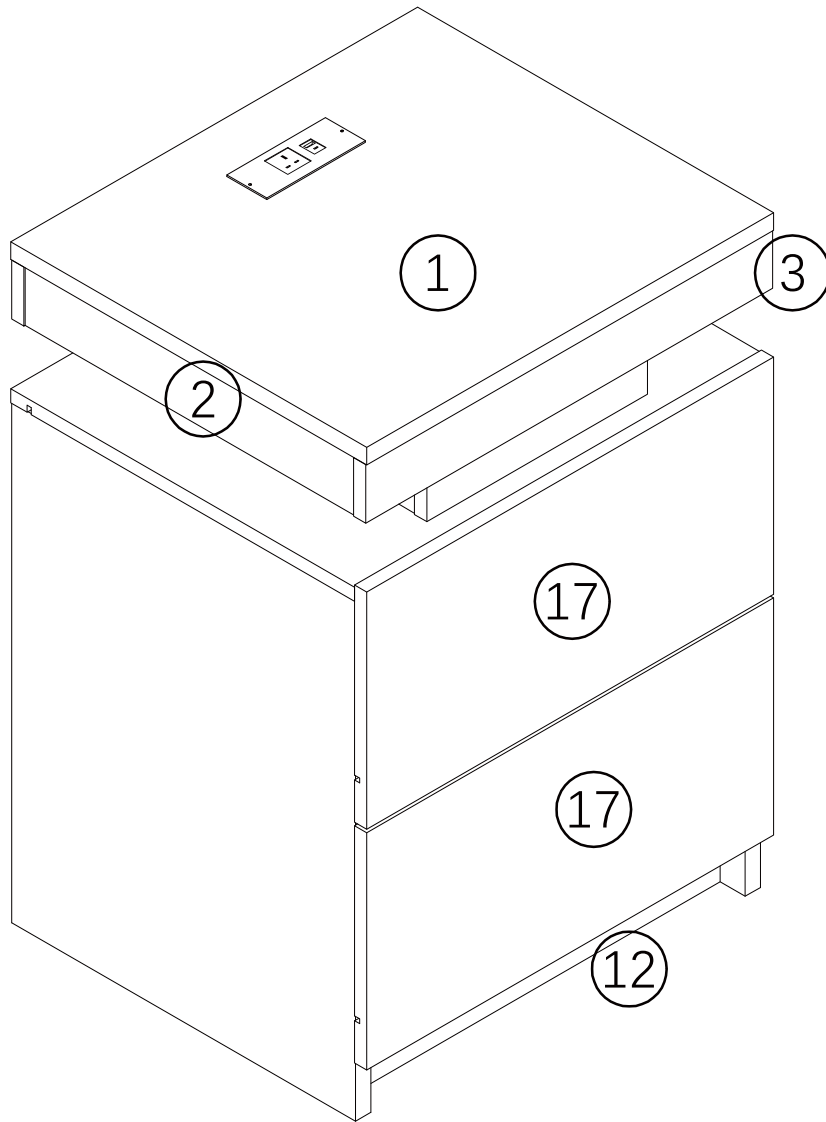


Insert the drawers into the cabinet as shown.



E *1 H *4

1. Secure the white fastener to panel #10 using screw (H) to fix the back panel.
2. Fix fabric strap (E2) onto panel #1 using screw (E1).
3. Drill holes in the wall using an electric drill.
4. Insert expansion bolt (E4) into the wall.
5. Use screw (E3) to fix fabric strap (E2) to the wall.



Please note: Parts (1), (2), (3), (12) and (17) are covered with a tightly adhered plastic protective film; if slight marks appear after removal, this is normal and not product damage; slowly peel off the film from the edges, after which the surface will be smooth and clean.



NOTE: The battery in the remote control requires you to purchase and install it yourself.
Model: CR2025 3.V

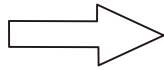
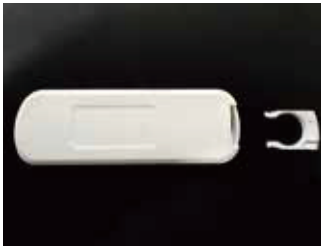
①



②



③



The remote control is supplied without batteries; please handle it gently when removing the retaining clip.

④



Please observe the correct battery polarity (+) / (-).

⑤

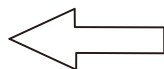


⑥



Modell : CR2025 3.V

⑦



⑧





MAINTENANCE AND CARE

1. Prevent Pests

Keep wooden furniture away from damp environments to prevent pest infestations and wood deterioration. Use a dehumidifier or air conditioner during humid seasons to maintain a dry atmosphere.

2. Protect from Sunlight

Avoid placing furniture in direct sunlight to prevent cracking, discoloration, and fading. If sunlight exposure is unavoidable, use curtains or blinds to shield the furniture.

3. Keep Away from Heat Sources

Position furniture away from heaters, radiators, or open flames to avoid damage and maintain its structural integrity.

4. Routine Care

Apply furniture oil periodically to enhance the wood's shine, prevent cracking, and prolong its lifespan.

5. Regular Cleaning

Vacuum dust and debris frequently, especially beneath and around furniture, to ensure a clean and hygienic environment.

6. Maintain Dryness

Ensure adequate ventilation to prevent moisture buildup. Use a dehumidifier if necessary to protect the furniture from dampness.

7. Avoid Contact with Corrosive Substances

Keep the furniture away from acidic or alkaline substances to protect its finish and durability.

8. Gentle Cleaning

Wipe surfaces with a damp, well-wrung cloth to clean without causing water damage or swelling.

9. Minimize Sun Exposure

Prolonged exposure to sunlight can dry out and damage wood. Place furniture in shaded areas or use curtains to block harmful UV rays.