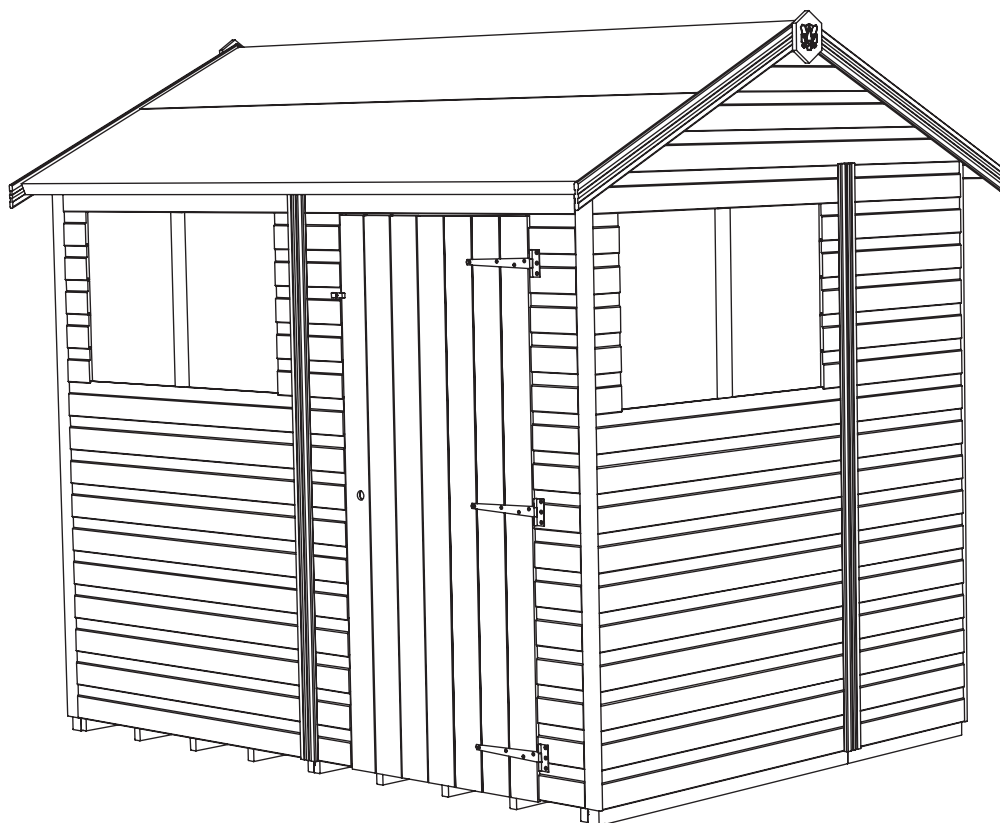


TIGERFLEX® SHIPLAP APEX SHED

GENERAL ASSEMBLY INSTRUCTIONS



BEFORE YOU GET STARTED

PLEASE READ INSTRUCTIONS CAREFULLY

- Check the pack and make sure you have all the parts listed.
- When you are ready to start, make sure you have the right tools at hand (not supplied).
- Ensure there is plenty of space and a clean dry area for assembly.

TIMBER

As with all natural materials, timber can be affected during various weather conditions. For the duration of heavy or extended periods of rain, swelling of the wooden panels may occur. Warping of the wood may also occur during excessive dry spells due to an interior moisture loss. Unfortunately, these processes cannot be avoided but can be mitigated. It is suggested that the outdoor building is sprayed with water during extended periods of warm sunshine and sheltered as much as possible during rain or snow.



SUMMER
CONTRACTION



WINTER
EXPANSION



WOOD WARPING
MAY OCCUR

To validate your guarantee and ensure longevity of the product, it is ESSENTIAL that your building is treated with an appropriate high-quality oil or solvent based preservative AFTER assembly, both internally and externally, and annually thereafter. All glazing units must be sealed (internally and externally) with silicone or other watertight sealant.

BUILDING A BASE

Care must be taken to ensure the product is placed on a suitable base. When thinking about where the building and base are going to be constructed, ensure that there will be access to all sides for assembly, maintenance work and annual treatment.

Ensure the base is firm and level and is built on firm ground, to prevent distortion.

The constructed base must be at least the size of product as referenced in product technical information. It is also recommended that the floor be at least 25mm above the surrounding ground level to avoid flooding.

TYPES OF BASE

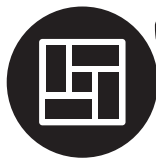
- Durable plastic grid*
- Concrete 75mm laid on top of 75mm hard-core.
- Slabs laid on 50mm of sharp sand.
- Timber Base - Self constructed/Buy pre-made.



PLASTIC BASE



CONCRETE BASE



SLAB BASE



TIMBER BASE



BROKEN SLABS



BARE SOIL



LOOSE GRAVEL

**We recommend a Fastfit EcoBase for your building. It is durable, lightweight, flexible, and easy to put in place. Please see [tigersheds.com](https://www.tigersheds.com) for details.*

CAUTION:

All buildings should be erected by two competent adults.



CAUTION:

It is advisable to wear gloves during building installation.



The mark of responsible forestry

FSC® C125286



MADE IN THE UK SINCE 1913.

We have been making our high quality, great value garden buildings here in Britain for decades.



SCAN CODE!

TO VIEW GENERAL ASSEMBLY GUIDE FOR TIGERFLEX® APEX ROOF SHED

***TigerSkin® Water Based Treatment:**

The unique formula of our TigerSkin® pre-treatment provides a reassuring layer of protection for your garden building. Each panel is carefully dipped and dried to provide maximum coverage and ensure that your building will have protection from the moment it arrives and is assembled. A water repellent formula which is harmless to plants, not only does it help to shield the timber, it also gives it a warm tone that looks great on your property. Once erected, your building should be treated annually, both internally and externally with an appropriate high-quality oil or solvent based preservative.

Whilst all products manufactured are made to the highest standards of safety, we cannot accept responsibility for your safety whilst erecting or using this product.

BEFORE YOU GET STARTED - PRE ASSEMBLY

TOOLS REQUIRED:

We recommend using the following tools (not supplied):



HAMMER



RUBBER Mallet



DRILL



LADDER



TAPE MEASURE



SHARP KNIFE



SPIRIT LEVEL



SCREWDRIVER +



WOOD SAW



HACKSAW



SPANNER

FIXING KIT GUIDES:

FX01 - NAIL KIT TIGERFLEX®

For TigerFlex® Shed Products:

- CN13** Clout Nails (*13mm Galvanised - QTY 175*)
- PP25** Panel Pins (*25mm - QTY 100*)
- N40** Nail (*40mm Galvanised - QTY 55*)
- NG5** Nail (*65mm Bright - QTY 50*)
- S90** Screws (*90mm - QTY 12*)
- S50** Screws (*50mm - QTY 50*)

FX14 - NAIL KIT FOR TIGERFLEX® DOORS

1 Pack Supplied Per Door:

- BS25** Black Screws (*25mm - QTY 10*)
- TB** Turn Button (*2" - QTY 1*)
- KEY** Door Key (*QTY 1*)



ALL WINDOWS MUST BE SEALED INSIDE AND OUT WITH SILICONE, PUTTY, OR ANY OTHER WATER-TIGHT SOLUTION. (NOT SUPPLIED).

CONTACT OUR FRIENDLY CUSTOMER SERVICE TEAM TO ORDER YOUR SEALANT KIT.

BUILDING PACK CONTENTS:

For full details of what should be included please see the itemised packing list that is supplied with the delivery. They are also available on request in pdf form from our helpful Customer Support team – please call: **0113 205 4189** or use the “Items Delivered Query” form at **[tigersheds.com/contact](https://www.tigersheds.com/contact)**.

- Assembly is straightforward if you follow these step-by-step instructions.
- We recommend getting everything aligned properly before screwing together and that **screw holes should be pre-drilled to avoid splitting the timber.** *(Do not come pre-drilled).*

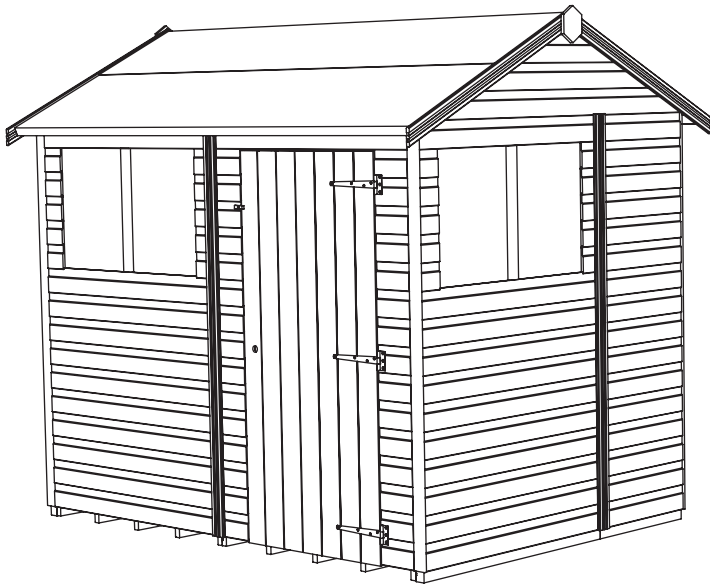
IMPORTANT

- Before assembly, please make sure you have a suitable base ready to erect your building on.
- Your base **MUST** be firm and level to ensure that the building is assembled properly and is square.
- **DO NOT** start your build until you have checked that all the parts of your building are present and in a suitable condition.
- Panels may have become twisted during loading/unloading and/or transportation. Please check that all framing and cladding are square before beginning assembly.
- If you are organising a third party to install your building, it is best practice not to schedule this immediately on receipt of your order, to give you time to check your delivery.

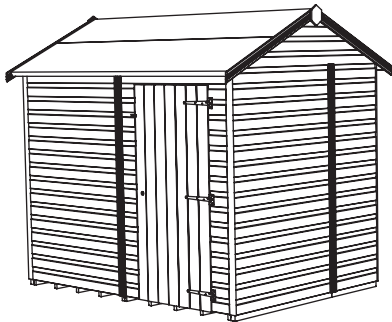
TIGERFLEX® APEX PRODUCT RANGE

GUIDANCE:

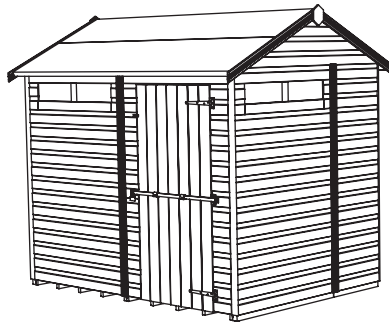
This guide provides assembly information for the TigerFlex® Apex Building range of products. Images are for reference only and may vary from the product you have ordered. If you have any issues, please contact our customer service team.



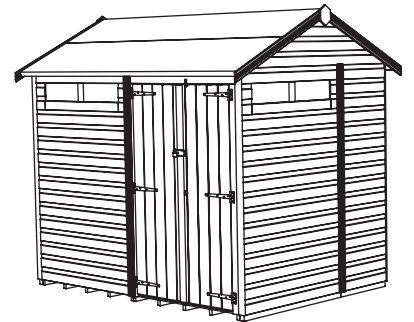
TIGERFLEX® APEX SHED
SINGLE & DOUBLE DOOR



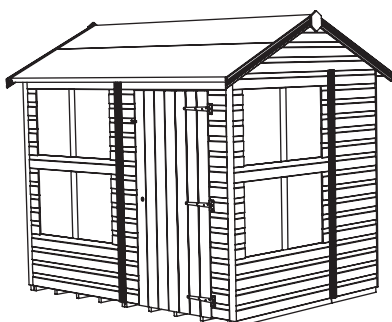
TIGERFLEX® APEX WINDOWLESS
SINGLE & DOUBLE DOOR



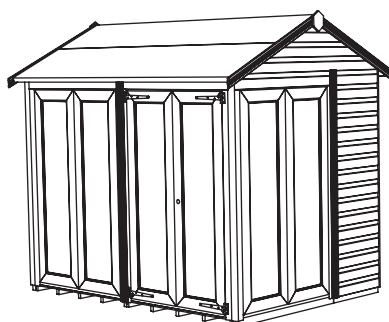
TIGERFLEX® APEX SECURITY
SINGLE DOOR



TIGERFLEX® APEX SECURITY
DOUBLE DOOR



TIGERFLEX® APEX
SUNROOM

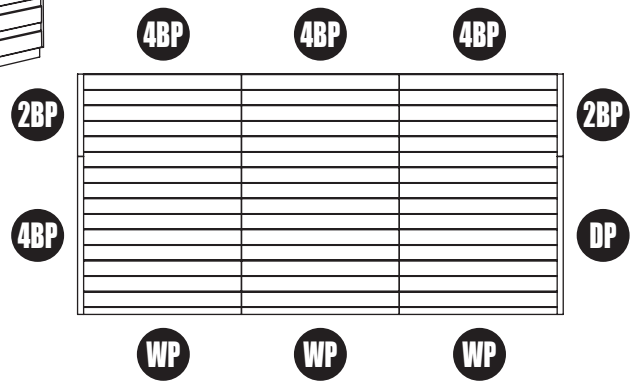
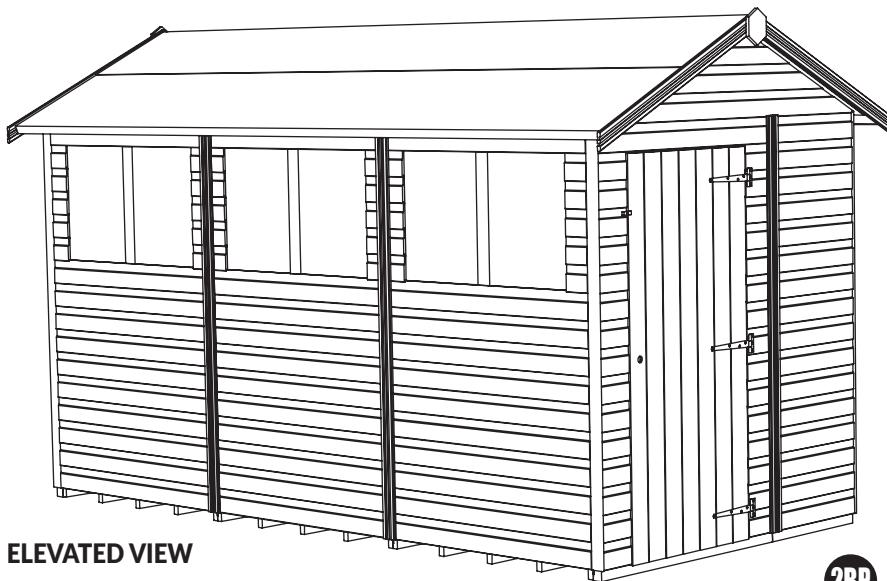
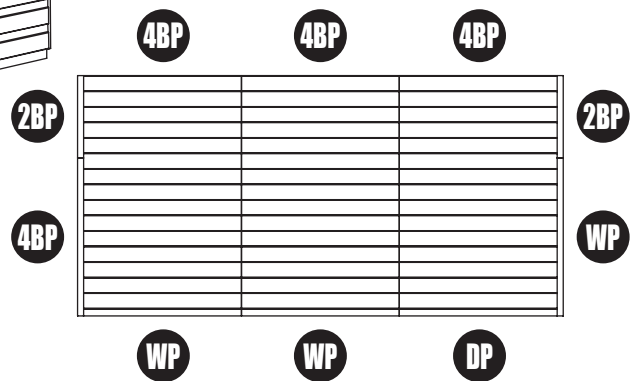
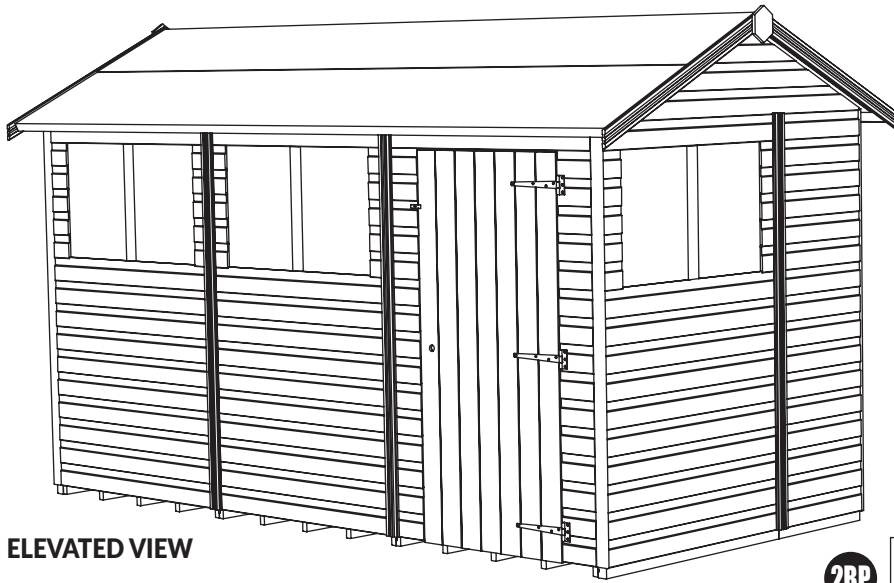


TIGERFLEX® APEX FULL PANE
SUMMERHOUSE



TIGERFLEX® APEX
TOOL TOWER

TIGERFLEX® SHIPLAP APEX GENERAL ASSEMBLY GUIDE

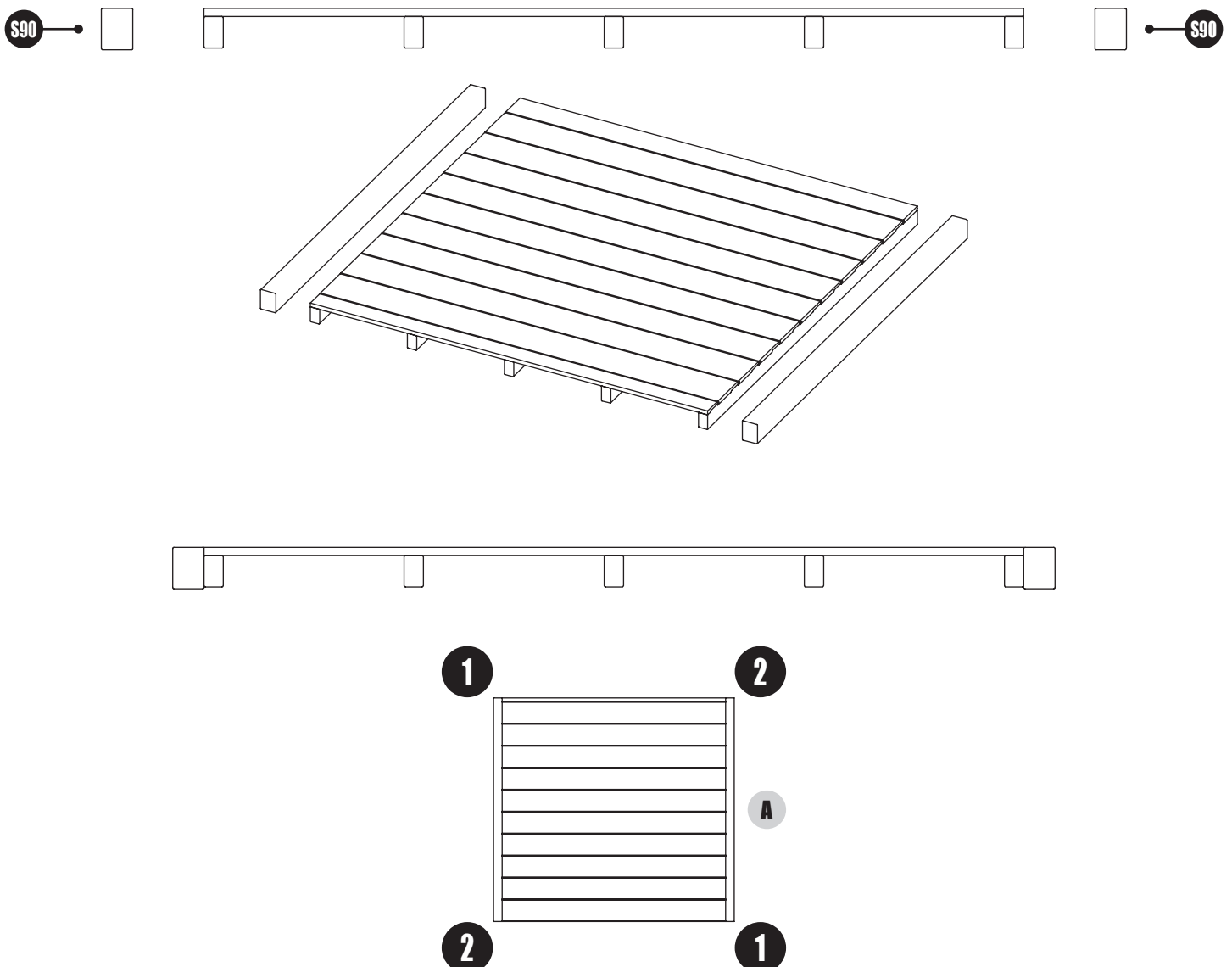


- WP** WINDOW PANEL
- DP** DOOR PANEL
- 2BP** 600mm BLANK PANEL
- 4BP** 1150mm BLANK PANEL

Step 1:

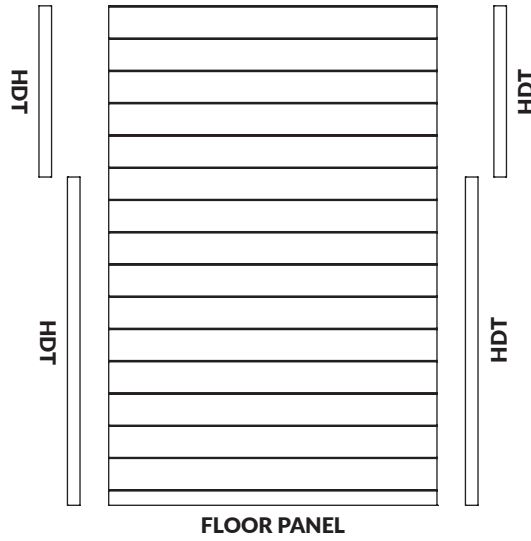
FLOOR PANEL INSTALLATION

- Lay out floor panels supplied as shown below.
NOTE: SINGLE FLOOR MODEL SHOWN FOR REFERENCE.
NOTE: CHECK YOUR PRODUCT FLOOR SIZE FOR THE CORRECT DIAGRAM.
- Please ensure floors in multiple panels are butted up tightly with no gaps.
- Secure heavy duty timber (HDT) to floor panel using 2x S90 per heavy duty timber.
NOTE: MAKE SURE FIXINGS GO INTO FLOOR JOISTS.
3ft gables - 2x 900mm HDT
4ft gables - 2x 1150mm HDT
6ft gables - 2x 1150mm HDT & 2x 600mm HDT
- Check panels are square by measuring between points shown. **(Detail A)**
If measurements are equal, your panels are square. If not, manually adjust to suit.

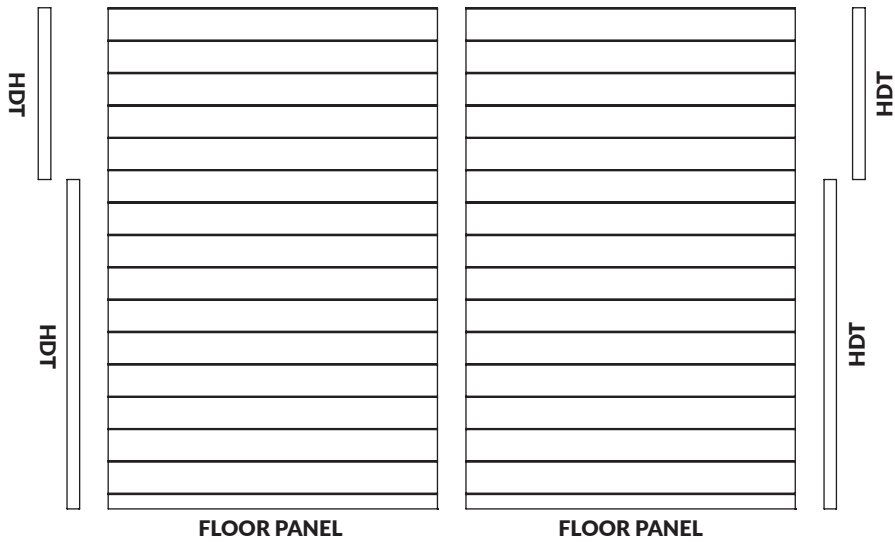


TIGERFLEX® SHIPLAP APEX GENERAL ASSEMBLY GUIDE

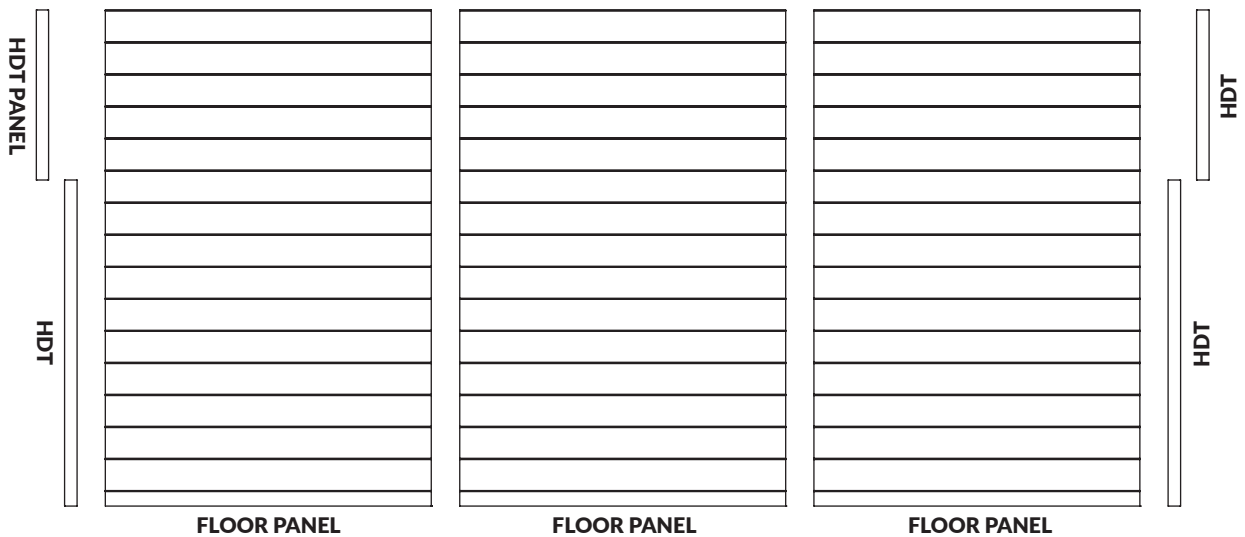
SINGLE FLOOR 2x3, 3x3, 4x3, 4x4, 4x6



DOUBLE FLOOR 5x3, 6x3, 7x3, 8x3, 8x4, 8x6



MULTI FLOOR 12x4 & 12x6

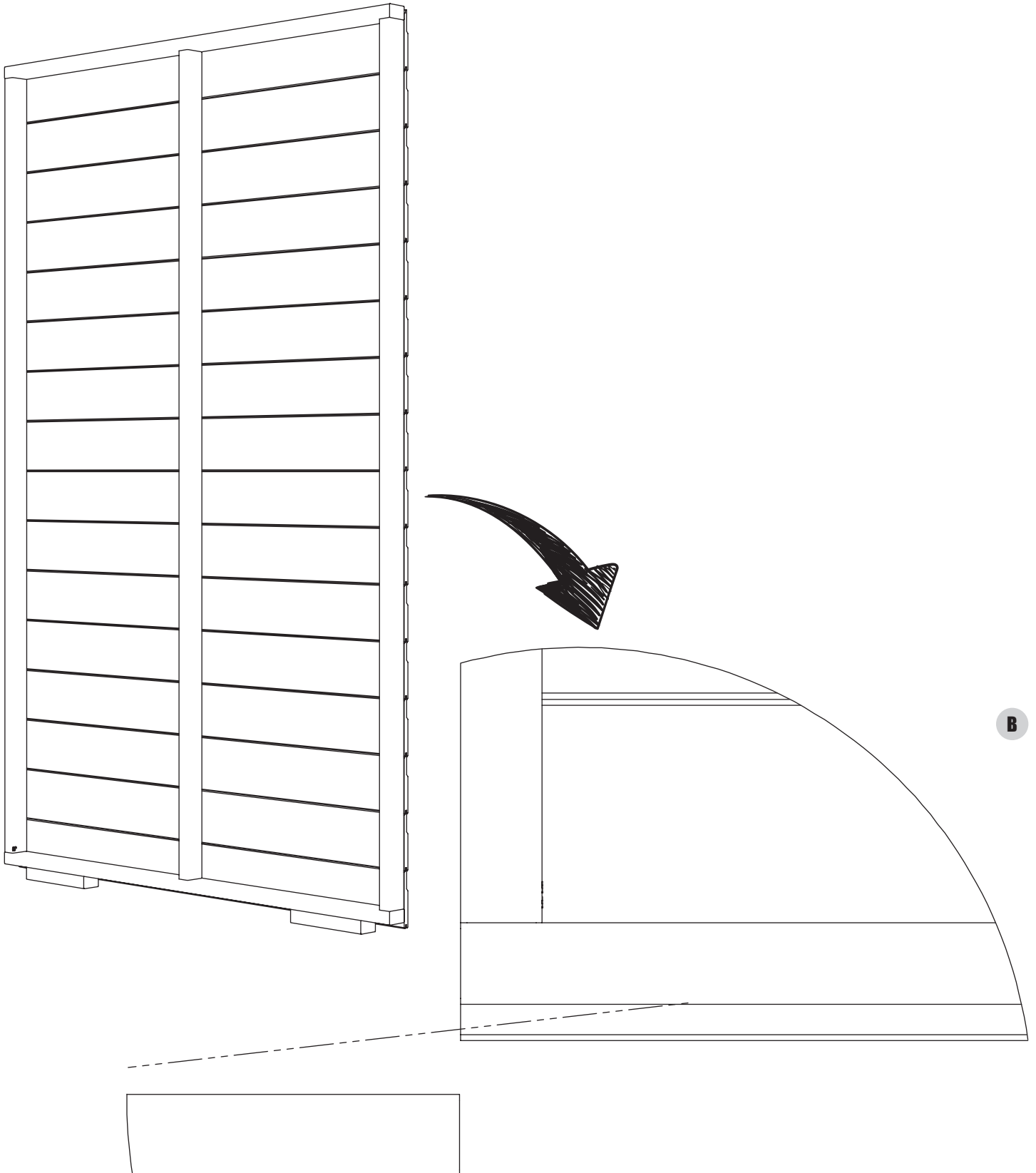


Step 2:

REMOVE TRANSPORT BLOCKS

- Make sure transport blocks have been removed from side panels before assembly. *(Detail B)*

NOTE: HAMMER OFF SIDEWAYS. DO NOT PRISE OFF.

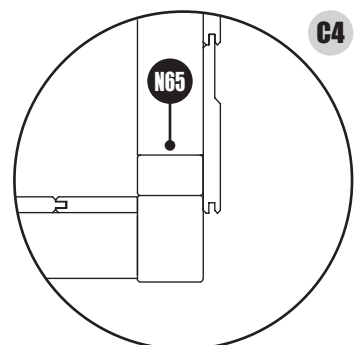
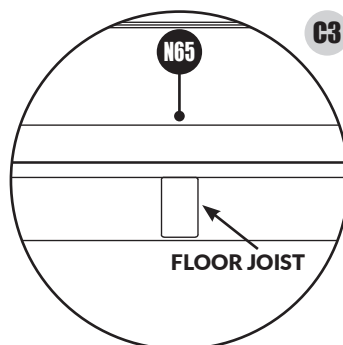
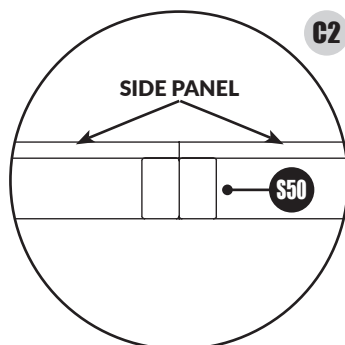
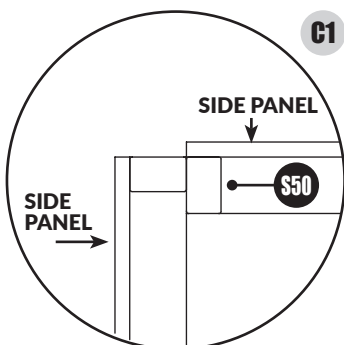


Step 3:

SIDE PANEL ASSEMBLY

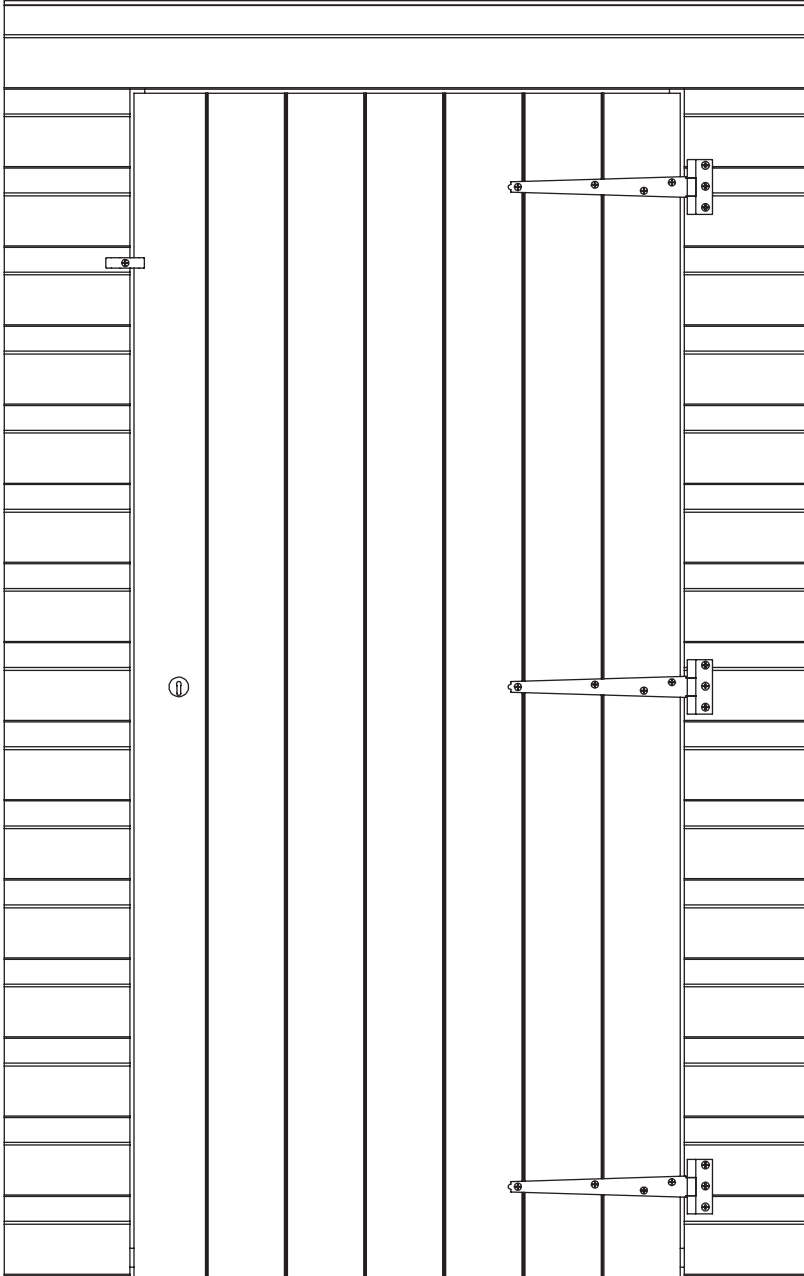
- Secure side panels to each other in corners using 3x S50 evenly spaced per join. **(Detail C1)**
- Secure side panels to each other using 3x S50 evenly spaced per join. **(Detail C2)**
- Repeat for all remaining side panels.
- Secure panels to floor using 2x N65 per panel.

NOTE: MAKE SURE FIXINGS GO THROUGH FLOOR JOISTS OR INTO HEAVY DUTY TIMBER.
(Detail C3 & C4)



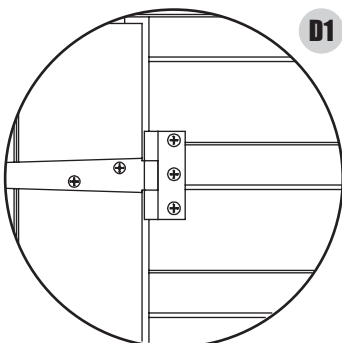
Step 4a:

DOOR INSTALLATION



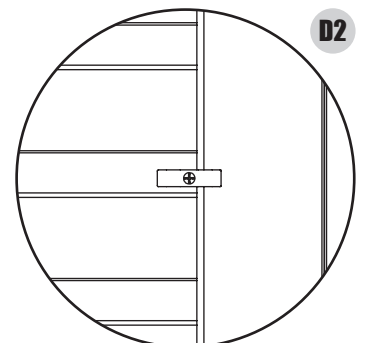
SINGLE DOOR INSTALLATION

- Place door in desired position.
NOTE: DOOR SHOWN IN RIGHT HAND HINGE POSITION.
- Leave Approx 2mm gap at side between door and door panel.
- Leave Approx 6mm gap at top between door and door panel.
- Secure using 3x BS25 per hinge. 3x hinges in total. **(Detail D1)**
- Secure Turn Button using 1x BS25. **(Detail D2)**
- For Left Hand hinged doors, rotate the door panel 180 degrees and follow the previous steps.
NOTE: DETAILS D1 & D2 WOULD ALSO BE OPPOSITE TO WHAT IS SHOWN.



D1

FOR RIGHT HAND HINGED DOOR PLACEMENT

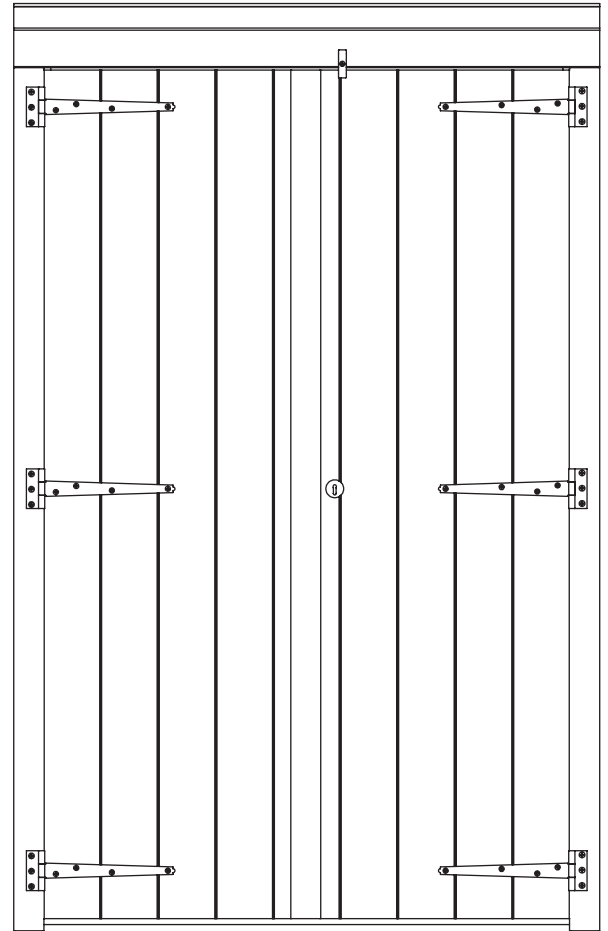
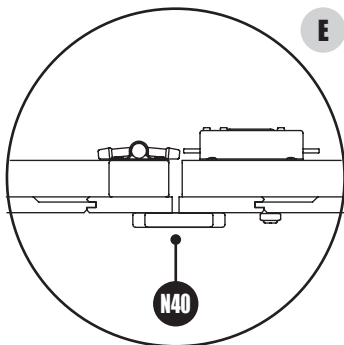


D2

Step 4b:

DOUBLE DOOR INSTALLATION

- Double Doors pre-fitted to frame in factory.
- Cut 1x extra corner strip (Plain profile) to size of door height. Secure to RH door using 4x BS25. **(Detail E)**
- Secure Turn Button using 1x BS25.

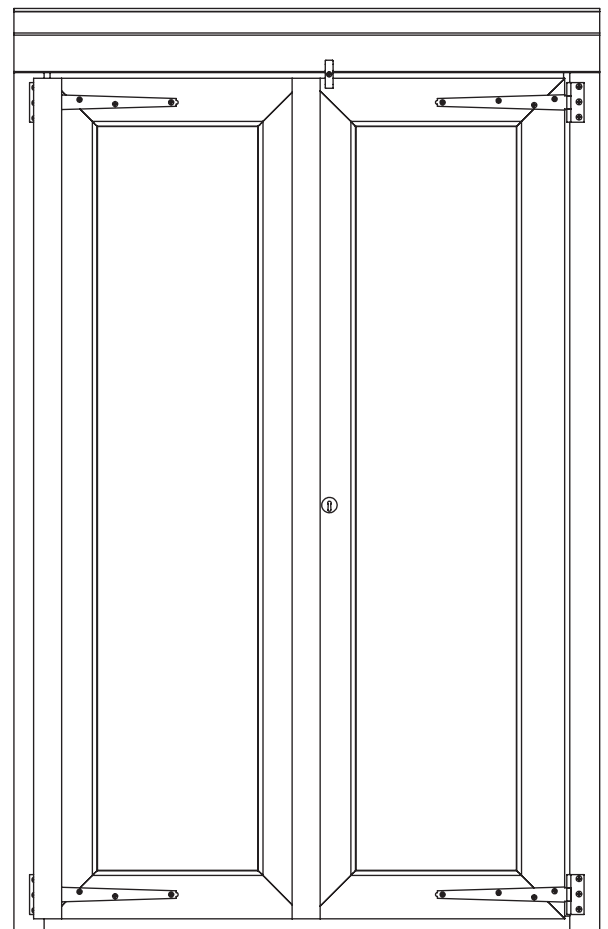


Step 4c:

DOUBLE FULL PANE DOOR INSTALLATION

- Double Doors pre-fitted to frame in factory.
- Cut 1x extra corner strip (Plain profile) to size of door height. Secure to RH door using 4x BS25. **(Detail E)**
- Secure Turn Button using 1x BS25.

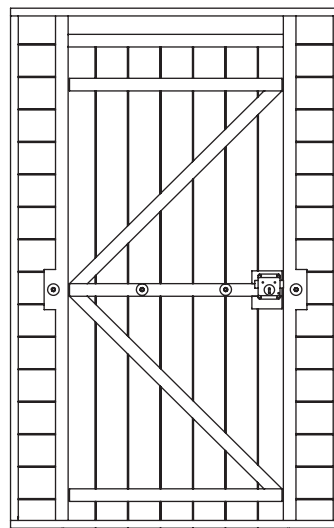
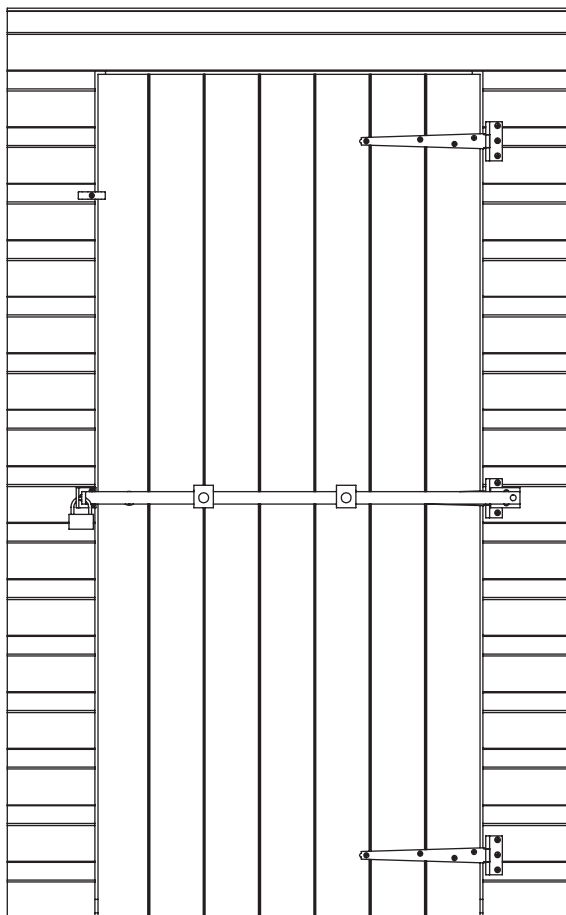
CAUTION: FULL PANE SUMMERHOUSE DOORS ARE VERY HEAVY. PLEASE TAKE CARE WHEN LIFTING INTO PLACE.



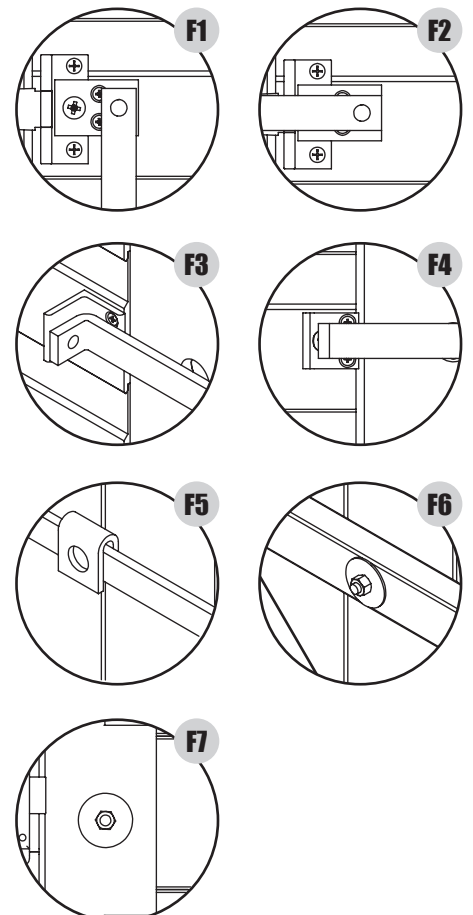
Step 4d:

SINGLE SECURITY DOOR INSTALLATION

- Fix Door Panel in place, See Single Door Installation. **(See Step 4a)**
- Check you have all components before starting.
- Fix wooden blocks (105mm x 44mm x 27mm) before drilling & fixing screws and bolts. **(Detail F1)**
- Mark the position of the holes required for the hinge plate & drill a hole for the bolt (8mm / 5/16"). **(Detail F2)**
- Secure large bolt through drilled hole.
- Ensure that the plate is positioned in such a way that when the bar is in the locked position it covers the head of the bolt. **(Detail F3)**
- Raise the bar horizontally across the door and position the angle plate so that the padlock holes are aligned. **(Detail G1)** leaving a small gap of approximately 1 to 2mm between them. **(Detail F4)** This should be just enough room to allow the bar to swing to and from the angle plate without jamming.
- Fix the angle plate so that when the bar is in the locked position, and it covers the bolt head.
- With the bar in the locked position mount the door cleats evenly along the bar. Make sure that the cleats are flat against the door and not jamming against the bar. If the cleats are set too high or low, they will prevent the bar from closing properly and the padlock won't align. **(Detail F5)**
- Due to different shed frame thicknesses, bolts supplied are to cover largest size. Cut off the excess bolt and screw material protruding in to the shed and smooth down to prevent any accidents when entering or leaving the shed. **(Detail F6 & F7)**



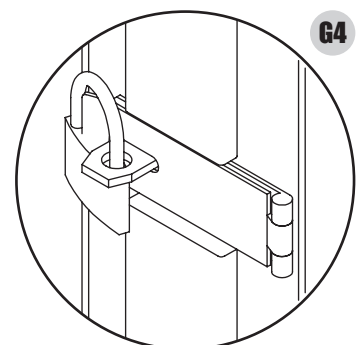
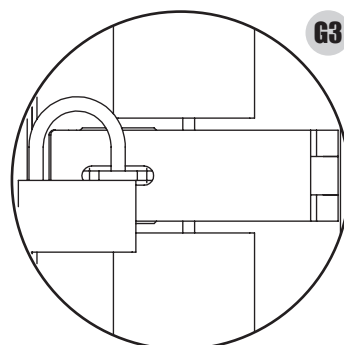
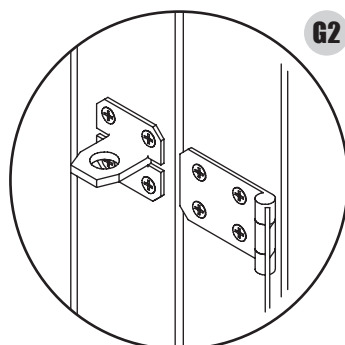
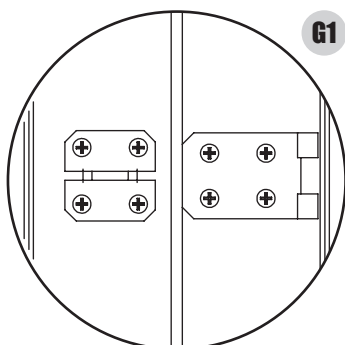
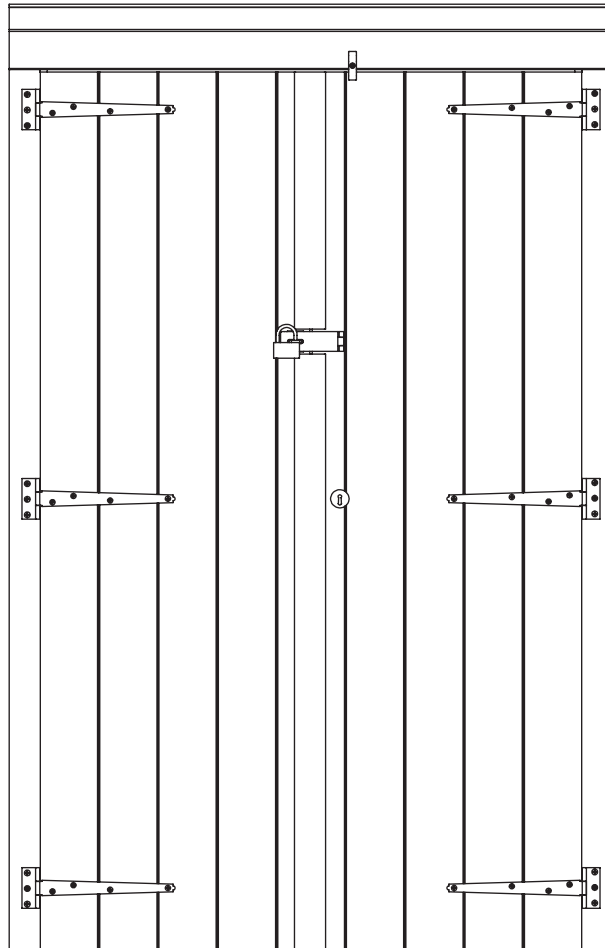
SINGLE SECURITY (INTERNAL)



Step 4e:

DOUBLE SECURITY DOOR INSTALLATION

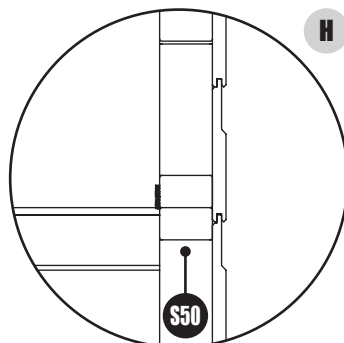
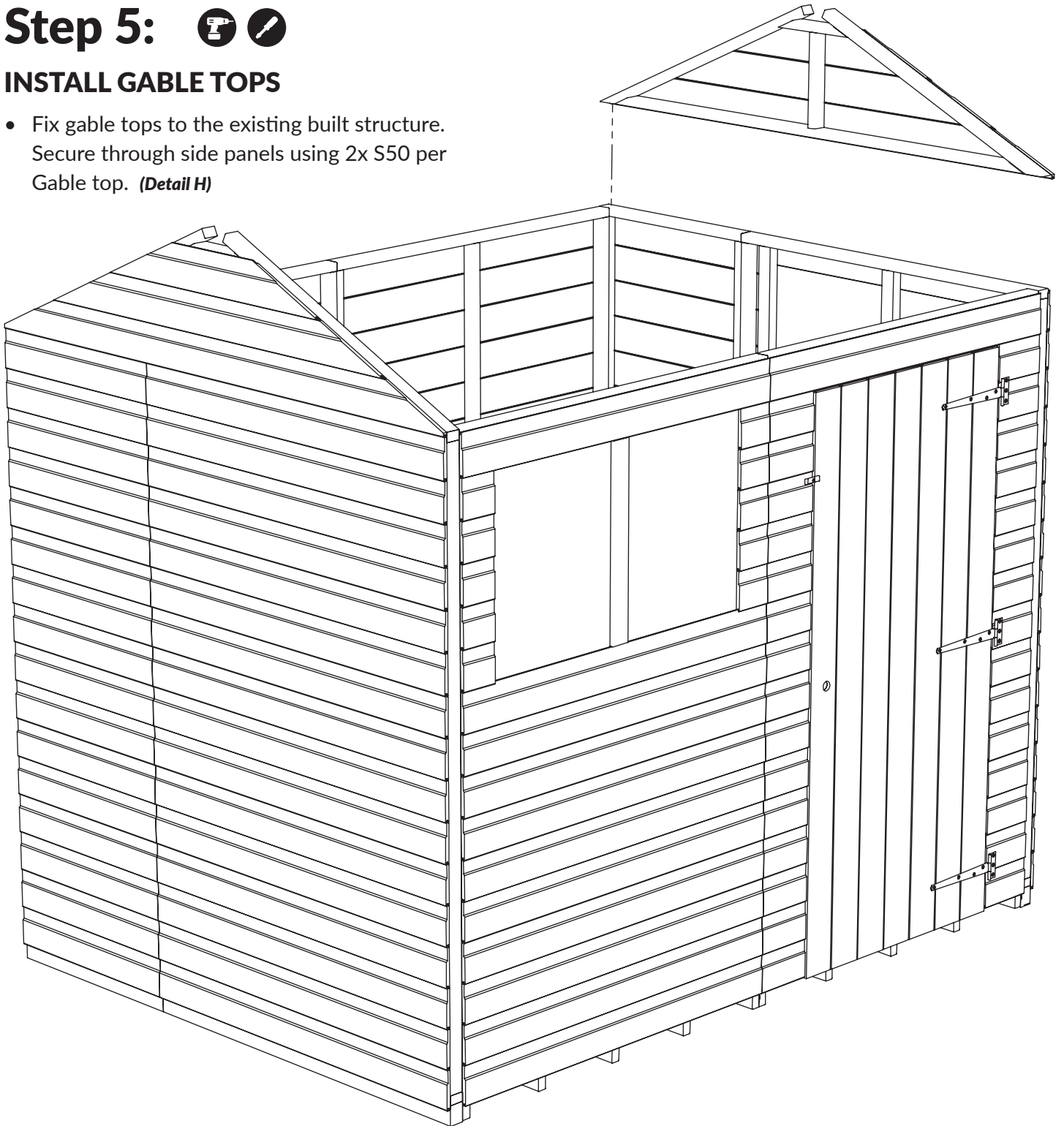
- Check you have all components before starting.
- Choose where you want the padlock to be positioned.
- Mark the position of the holes required for the hinge plate. Line up plate with edge of door. Secure in place with 4x screws. **(Detail G1 & G2)**
- Close hasp with the padlock latch in place. Mark off edges and open hasp. Secure in place with 4x screws. **(Detail G3 & G4)**
- Trim the supplied corner strip to allow the hasp and padlock to be secured to the door panel. Secure to RH door using 3x BS25.



Step 5:

INSTALL GABLE TOPS

- Fix gable tops to the existing built structure. Secure through side panels using 2x S50 per Gable top. **(Detail H)**



Step 6:

INSTALL APEX TRUSS

- Fix apex truss to the existing built structure.
- For single apex truss models, position truss as shown.

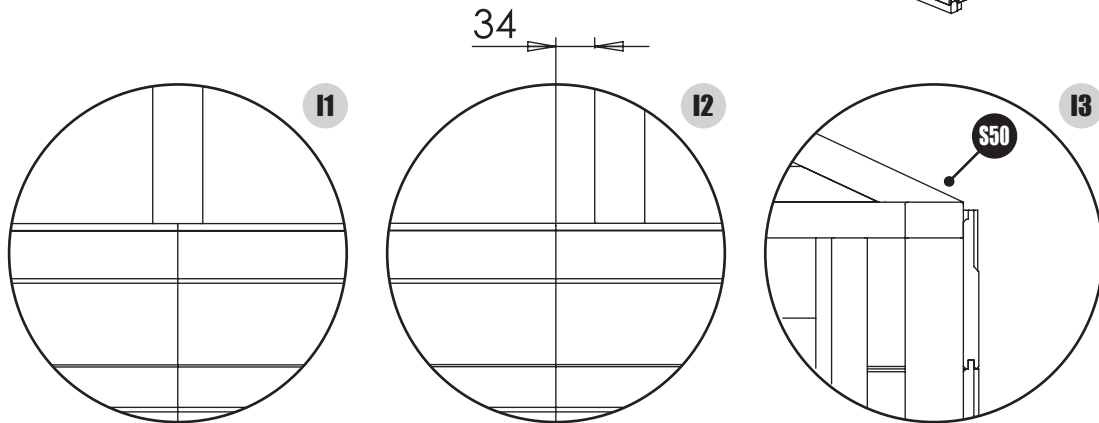
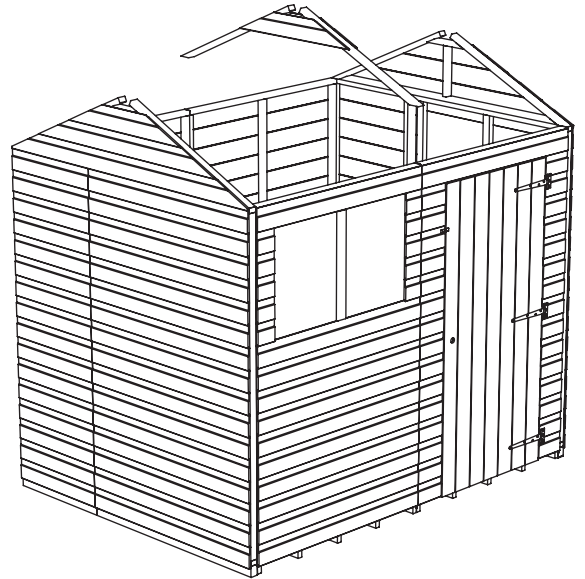
(Detail I1)

NOTE: MODEL SIZES 8X4W & 8X6W

- For double apex truss models, position each truss as shown. (Detail I2)

NOTE: MODEL SIZES 12X4W & 12X6W

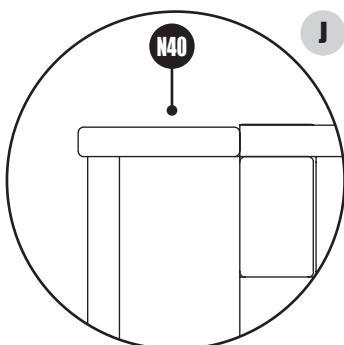
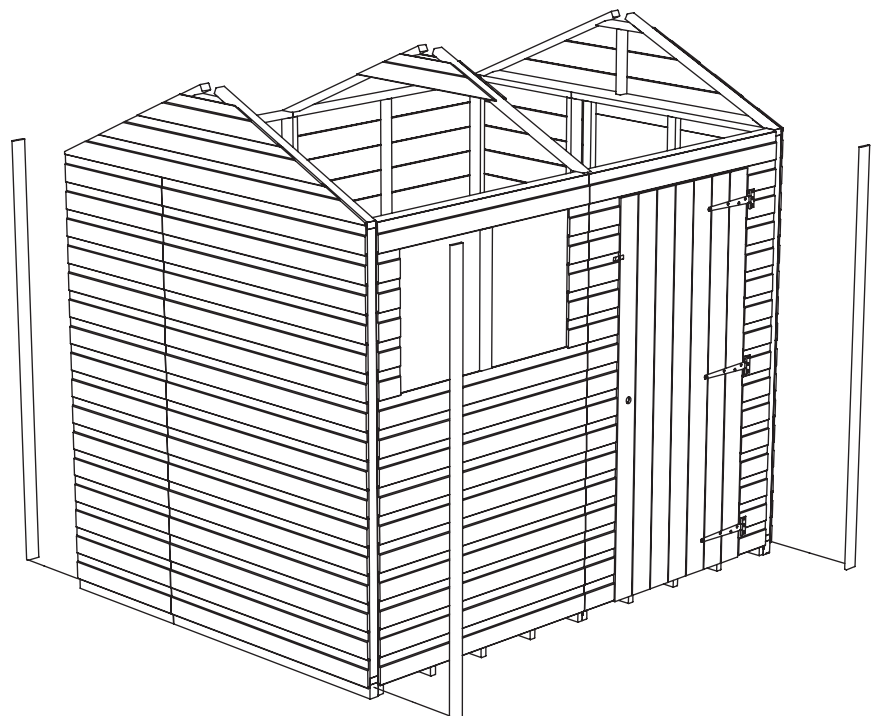
- For all models, secure through top of side panels using 2x S50 per side. (Detail I3)



Step 7:

FIT CORNER STRIPS

- Install corner strips as shown.
 - Secure to side panel using 4x N40 evenly spaced per corner strip. (Detail J)
- NOTE: THESE ARE PLAIN PROFILE.**
- Repeat for all remaining corners.



Step 8:

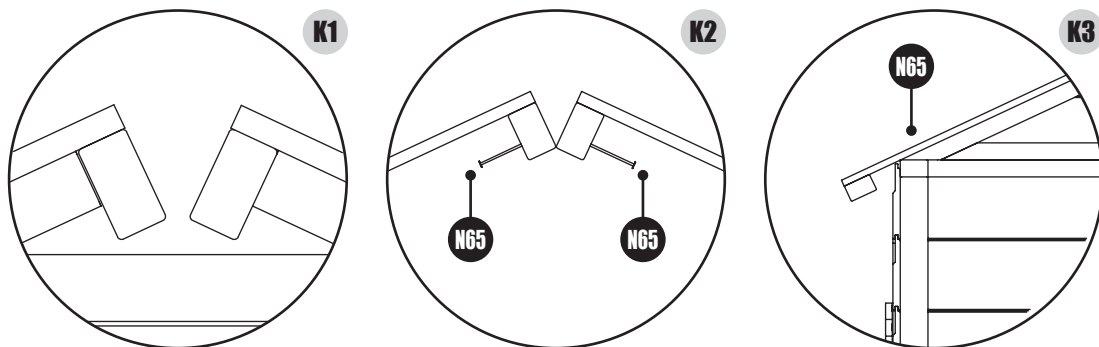
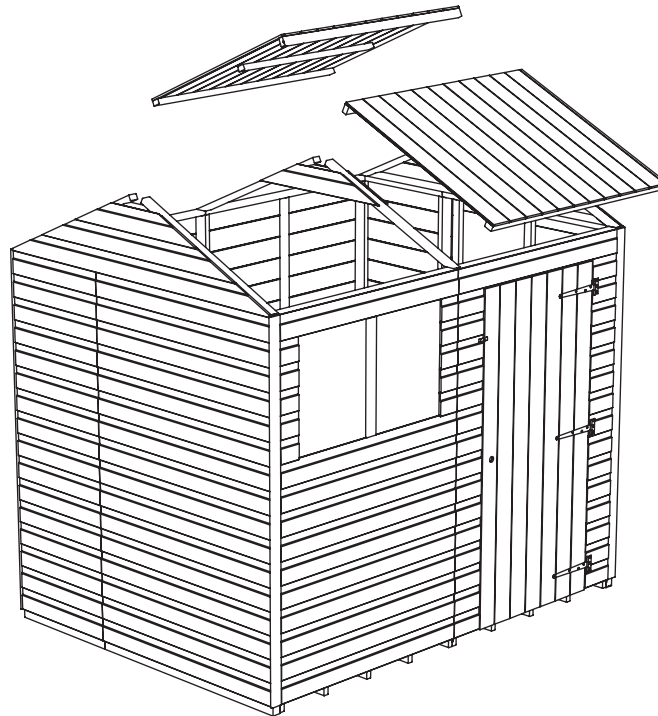
FIT ROOF PANELS

- Attach roof panels as shown. There will be a slight gap between the roof panels at the apex of shed. **(Detail K1)**
- Secure apex purlins by pushing panels together and fixing with 4x N65 evenly spaced along length per panel. **(Detail K2)**

TOP TIP

You may need someone to hold roof panels together while you secure roof panels at the apex.

- Secure roof panels to the side panels using N65 through upright framing in side panels. **(Detail K3)**
- Secure roof panels to the gable tops using 2x N40 through the angled framing per roof panel.
- Secure roof panels to truss using 2x N40 per roof panel.



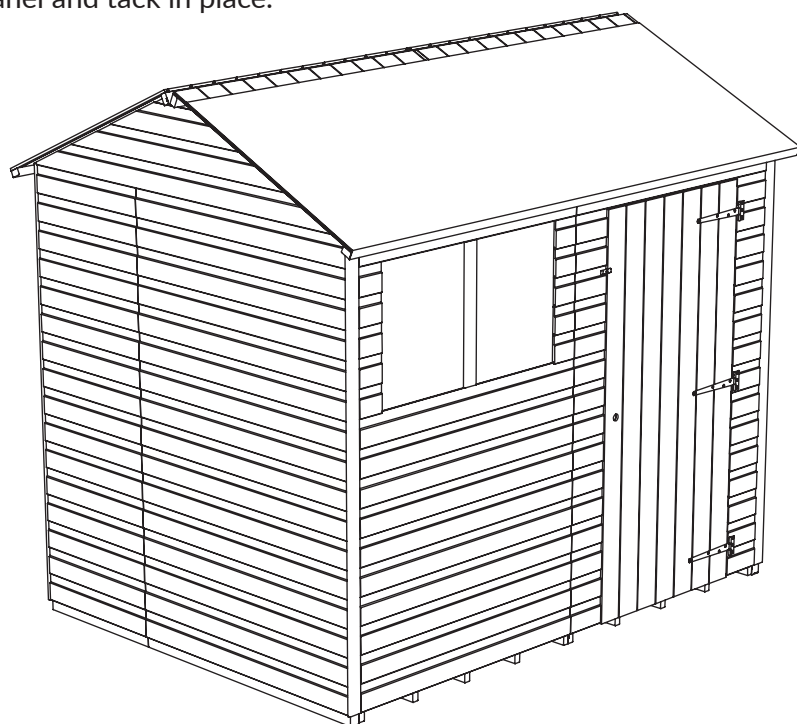
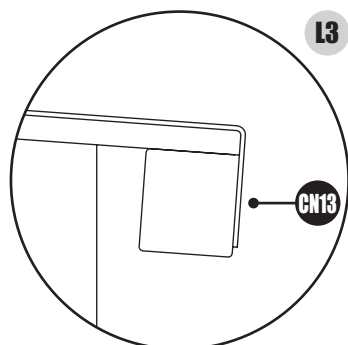
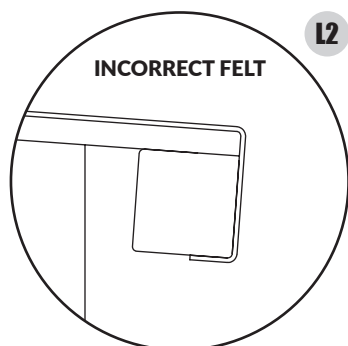
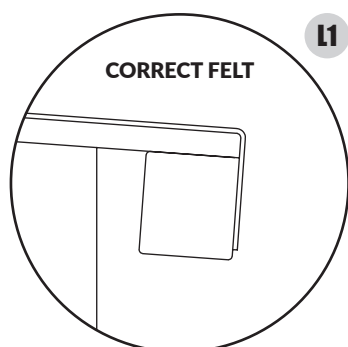
TOP TIP

If your roof panels do not sit correctly, it suggests the building is not sitting square. Check that the building isn't twisted by lifting two opposite corners of the building to straighten it out. This should bring the roof panels into alignment for you to nail into position.

Step 9:

FELT THE ROOF

- Measure and cut before fitting.
- Roll felt out onto a clean flat surface 30 minutes before you need it so it has a chance to flatten out.
- Measure length of roof and allow 35mm overhang at each end. Cut each strip of felt to size. Use a straight edge to guide cutting.
- Roll cut felt piece along low side of roof, section 1, leaving sufficient overhang to fold down onto roof edge.
- Do not fold underneath roof. **(Detail L1 & L2)**
- Once felt is rolled out, fix felt to roof boards using CN13 at each end, making sure the felt is straight. Fix to roof skirting at approx. 100mm intervals. **(Detail L3)**
- Ensure the felt is tight, then secure the top side of felt using CN13 at approx. 100mm intervals.
- Repeat for remaining felt, working from the low side of roof to the high side, overlapping the felt by 75mm until the roof is fully covered.
- Fold the overhanging felt at ends under roof panel and tack in place.



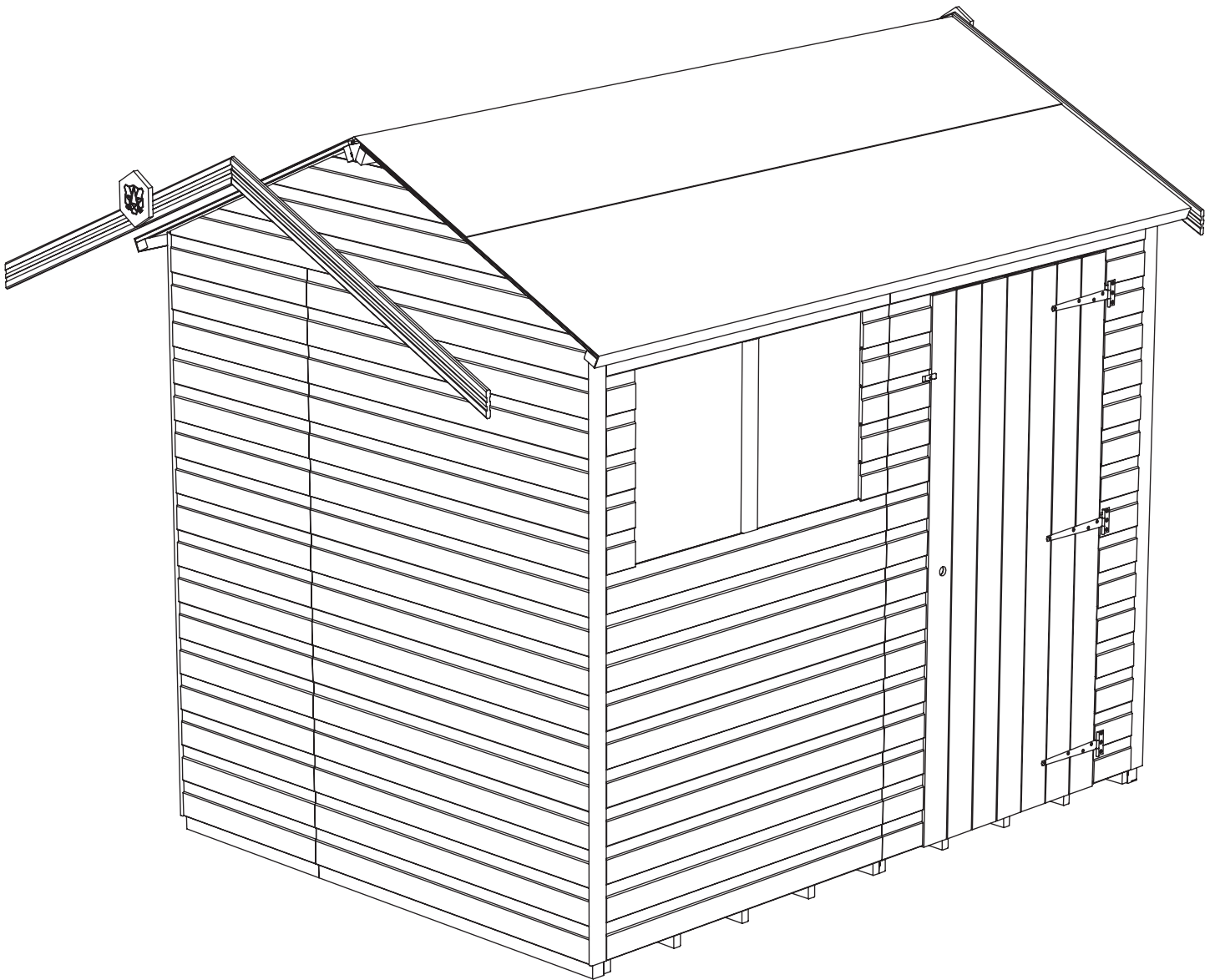
FELT REQUIREMENTS		
WIDTH OF SHED GABLE (FT)	LENGTHS OF 1m WIDE FELT	LENGTHS OF 0.5m WIDE FELT
3	1	1
4	2	
6	2	1

Each length of felt used is enough to cover the length of the roof plus overhang. Example: 8x6 TigerFlex® Apex shed will be supplied with roll of felt to cover 16ft plus overhangs at each end. This is to be cut into two lengths, see table above, by the customer to provide the correct coverage. Tiger sheds provide the 0.5m wide felt cut to length. **(see table above)**

Step 10:

FIT BARGEBOARDS & FINIAL

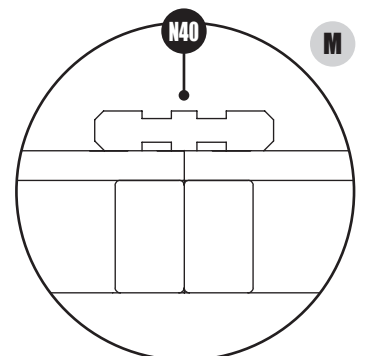
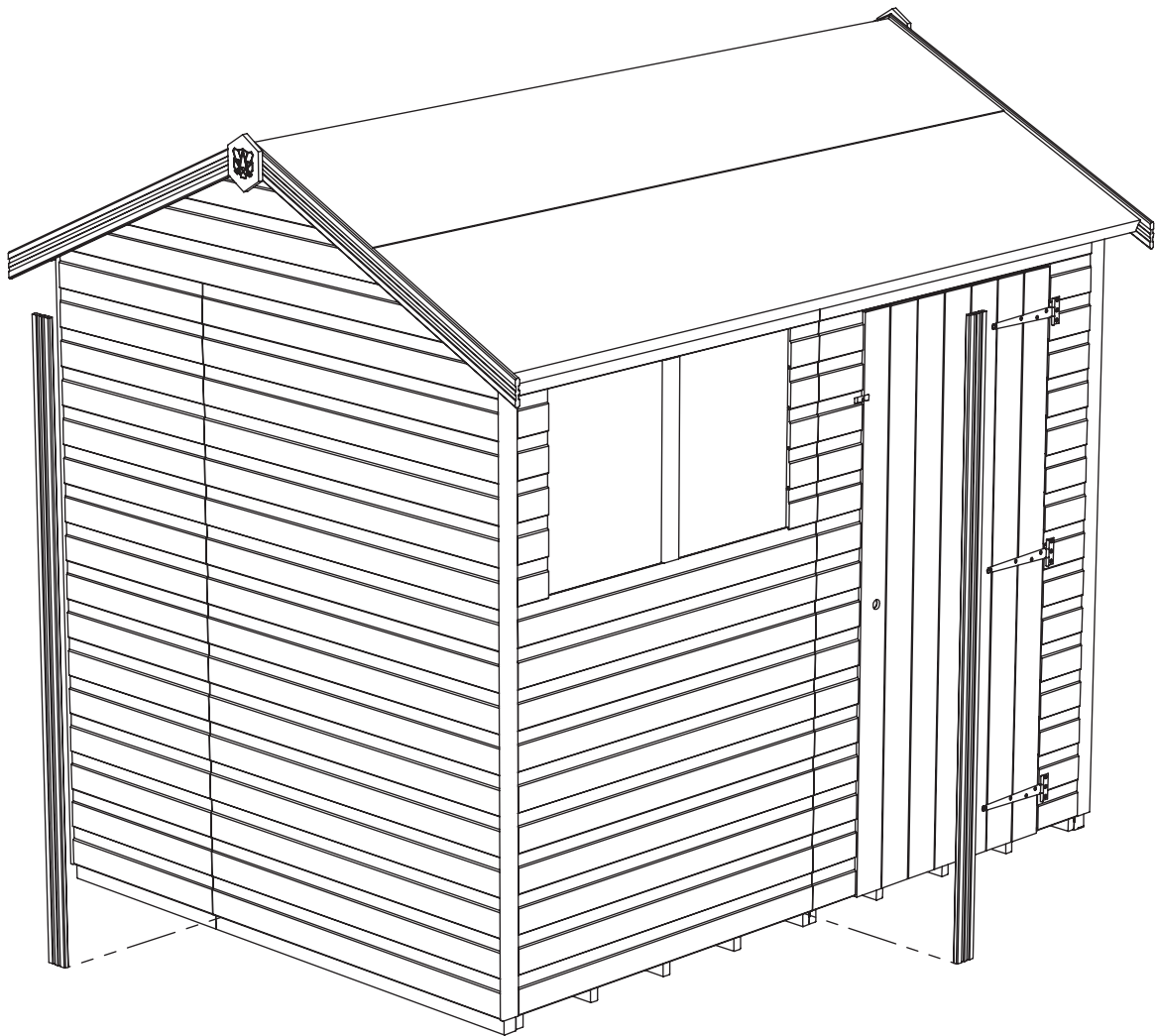
- Fit bargeboards to the roof panels, trapping overhanging end of the felt in between the roof panel and bargeboard. Secure using 2x N40 per bargeboard through roof panel.
- Secure finial over the top of the bargeboards using 2x N40 per finial. (optional)



Step 11:

FIT COVER LATS

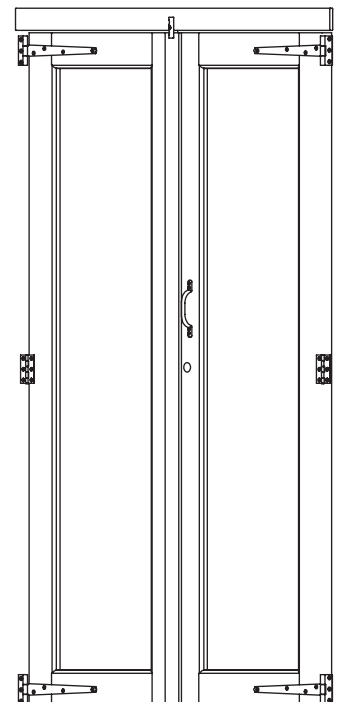
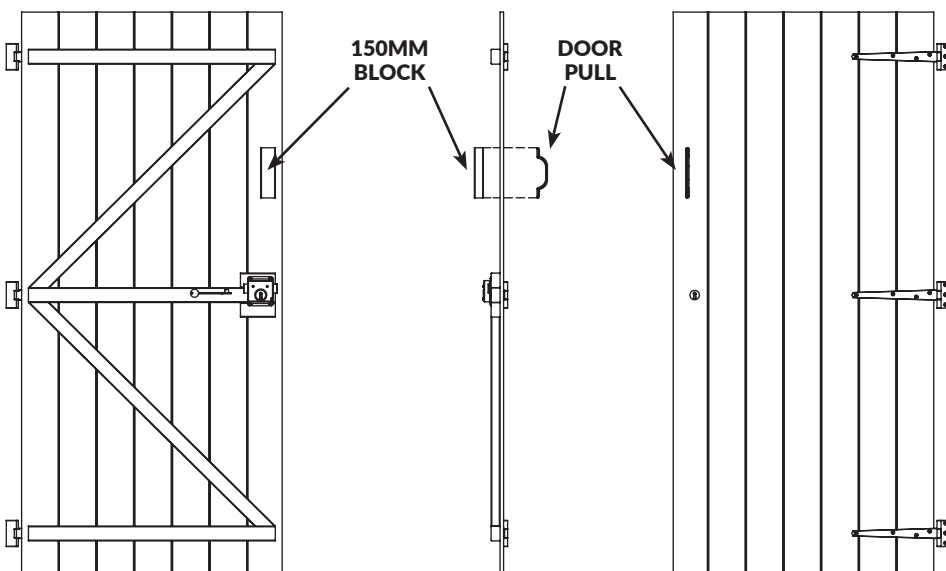
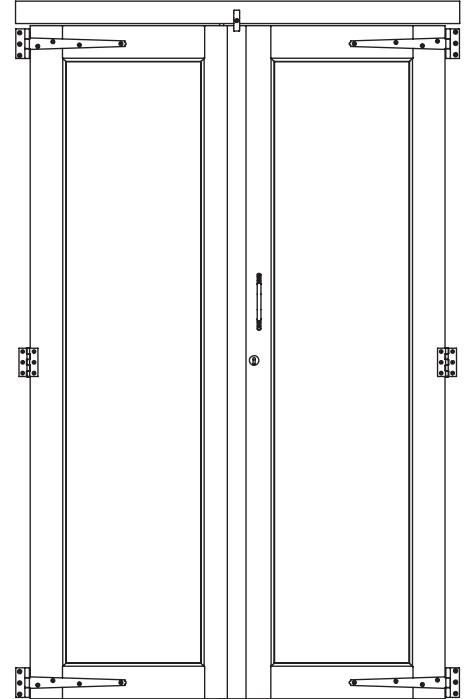
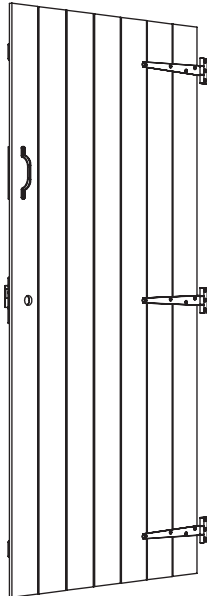
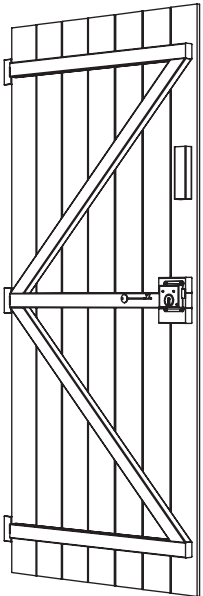
- Install cover lats as shown.
- Secure to side panel over joints using 4x N40 evenly spaced per cover lat. *(Detail M)*
NOTE: THESE ARE GROOVED BOTH SIDES. NOT TO BE CONFUSED WITH BARGEBOARDS
- Repeat for all side panel joints.



Step 12:

INSTALLING DOOR PULL

- Find comfortable height for supplied pull door handle.
- Secure handle to door using 4x 25mm (BS25) screws in the holes provided.
 - If door is made from interlocking boards and your chosen handle position does not match with existing door bracing, use supplied 150mm framing to fix handle screws into.
 - If chosen position matches existing bracing, secure directly into this.
 - For summerhouse doors, secure directly into the door frame.





Head Office

Calverley Lane,
Rodley,
Leeds,
West Yorkshire,
LS13 1NP

Telephone: 0113 205 4189
Website: tigersheds.com
Email: customersupport@tigersheds.com



SCAN CODE!
TO VIEW GENERAL ASSEMBLY GUIDE
FOR TIGERFLEX® APEX ROOF SHED



SCAN CODE!
TO SEE GENERAL ACCESSORY &
INSTALLATION VIDEO LIBRARY

