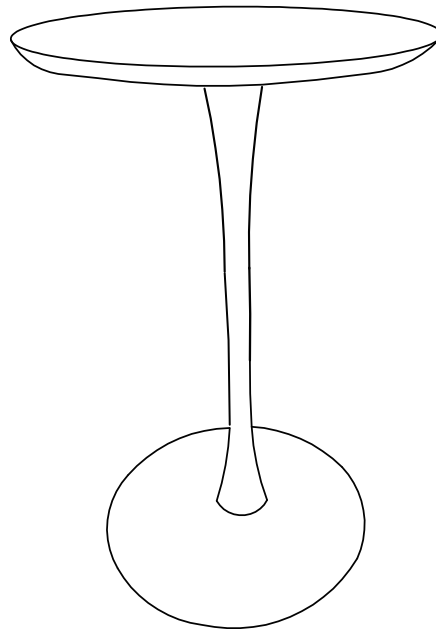


MOE'S

Assembly Instructions

GAGE OUTDOOR BAR TABLE WHITE



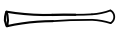

QX-1021-18










THANK YOU FOR YOUR PURCHASE!

Parts and Hardware

PARTS LIST

No.	DESCRIPTION	IMAGE	Q'TY
P1	TABLE TOP		1
P2	TABLE BOTTOM		1
P3	TABLE LEG		1
P4	TABLE TOP		1

HARDWARE LIST

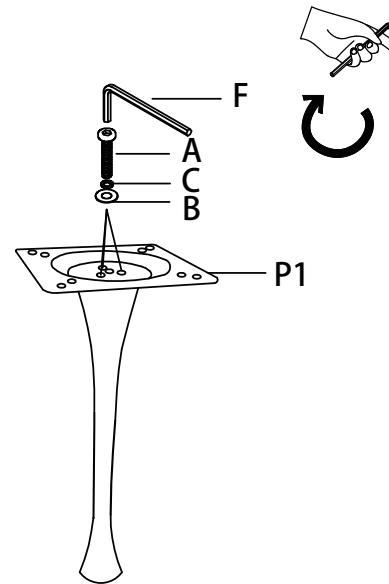
No.	DESCRIPTION	IMAGE	Q'TY
A	BOLT(8x 30mm)		6
B	FLAT WASHER (8 x 18 x 1.5mm)		6
C	SPRING WASHER (M8)		6
D	SPRING WASHER (M6)		4
E	BOLT (6 x 18mm)		4
F	ALLEN KEY (M5)		1
G	FLAT WASHER (6 x 18 x 2mm)		4

NOTES.

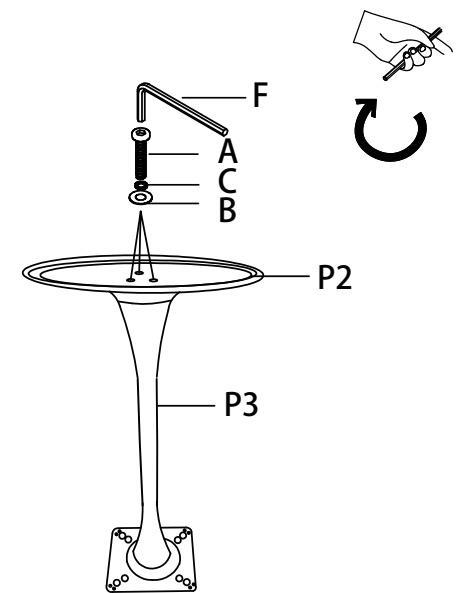
Thank you for purchasing this quality product! Be sure to check all packing material carefully for small part that may have come loose inside the carton during shipping.

CAUTION: Ensure not to overtighten screws to reduce the risk of stripping or breakage.

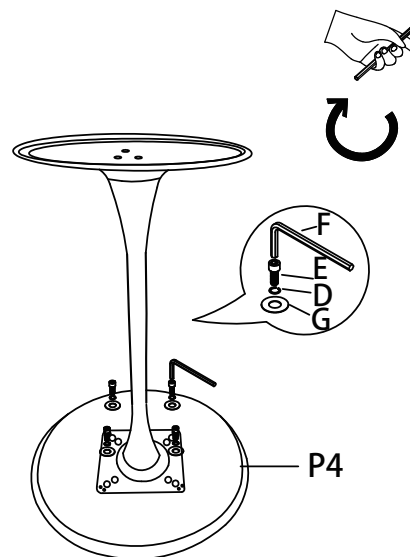
Step 1



Step 2



Step 3



Step 4

