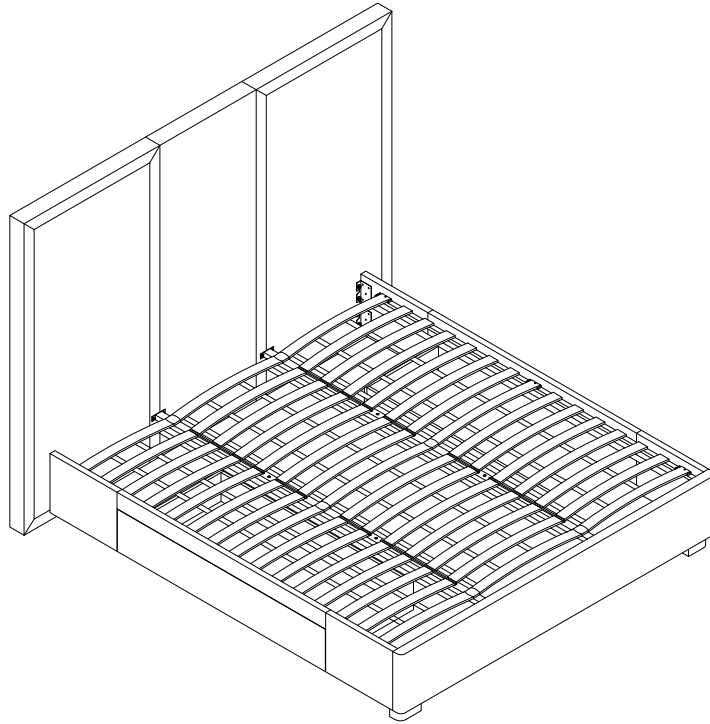
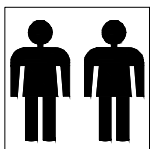


ASSEMBLY INSTRUCTION

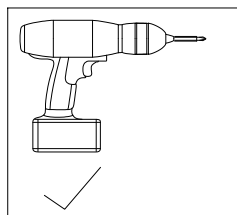


IMPORTANT NOTE

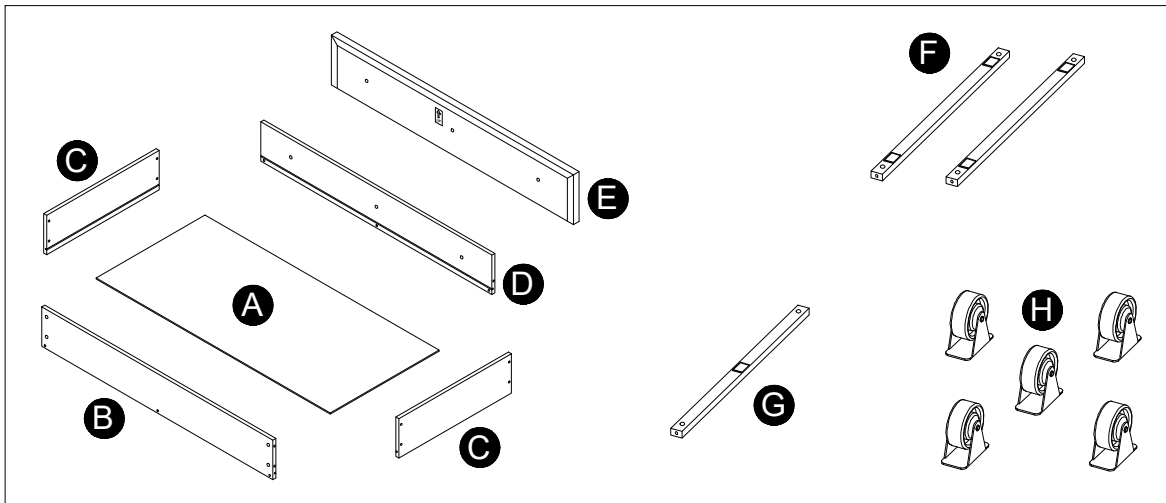
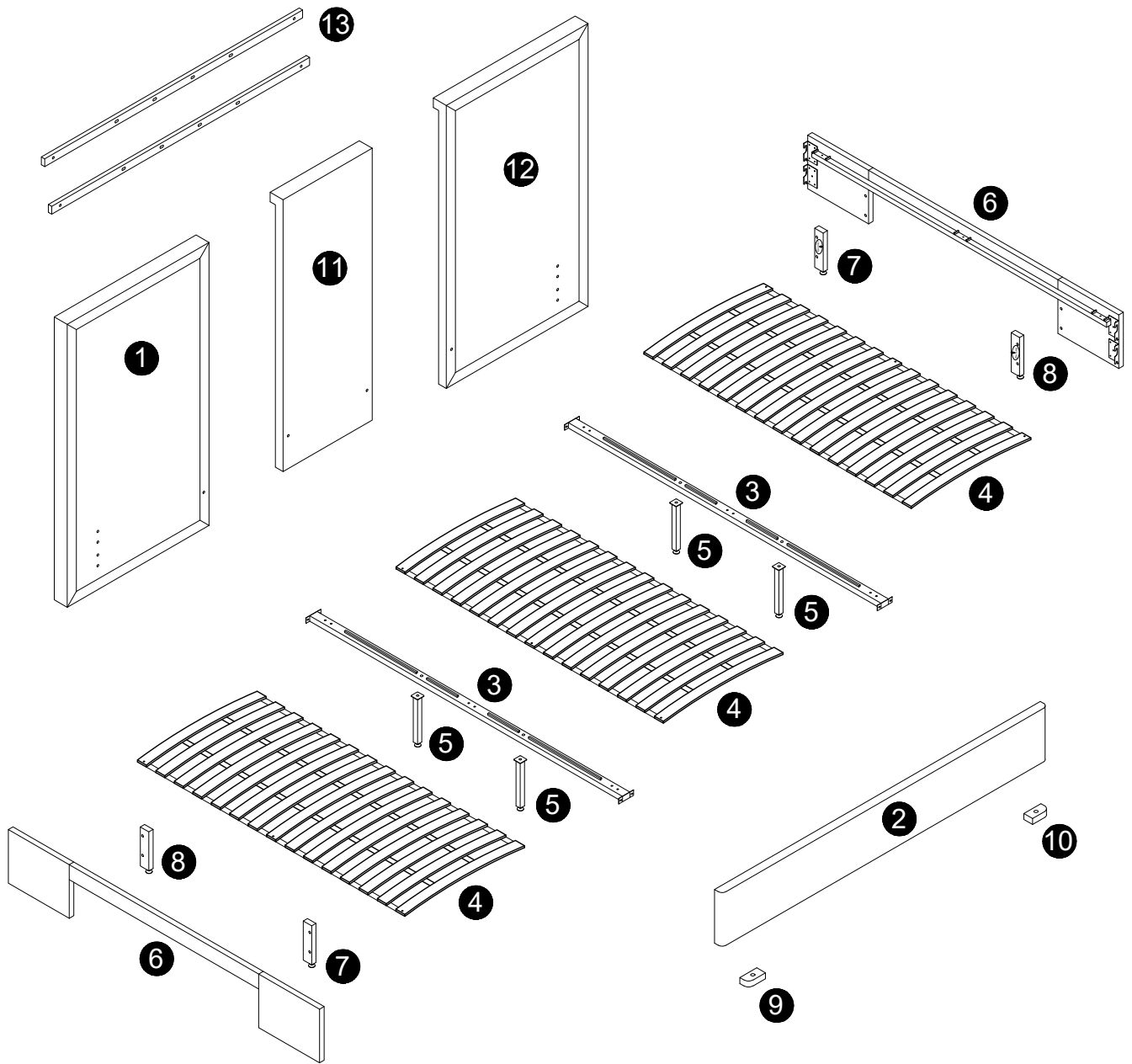
- 1. The bed comes in two packages. Please carefully check the box quantity, When you receive the package. if you receive missing or the same two packages,**
- 2. FOR THE PROTECTION OF YOUR FURNITURE, PLACE ALL PARTS ON A CLEAN AND SMOOTH SURFACE TO PREVENT ANY DAMAGE.**
- 3. DO NOT USE POWER TOOLS TO ASSEMBLE THE BED.**
- 4. PLEASE PERIODICALLY CHECK ALL FITTINGS AND RE-TIGHTEN AS NECESSARY.**
- 5. DO NOT USE THE BED UNLESS ALL BOLTS AND SCREWS ARE FIRMLY SECURED.**
- 6. NEED PARTS OR ASSISTANCE?**
- 7. YOU CAN ASSEMBLE IT WITH OUR PACKAGING TOOLS OR WITH A.**



Minimum two
person assembly



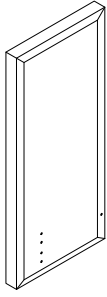
PART LIST



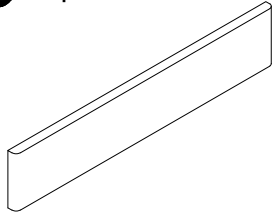
x2

PART LIST

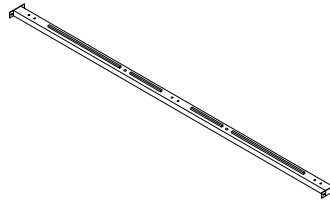
1 x 1pc



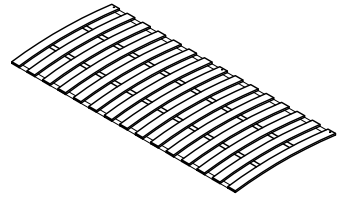
2 x 1pc



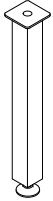
3 x 2pcs



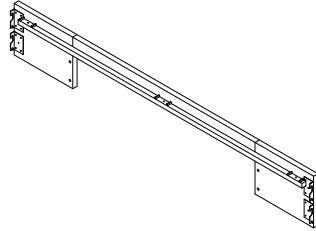
4 x 3pcs



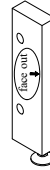
5 x 4pcs



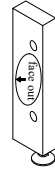
6 x 2pcs



7 x 2pcs



8 x 2pcs



9 x 1pc



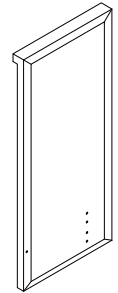
10 x 1pc



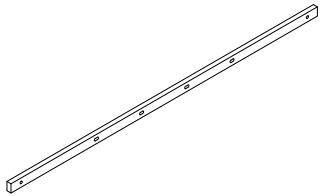
11 x 1pc



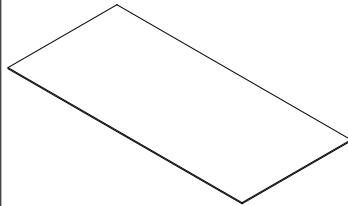
12 x 1pc



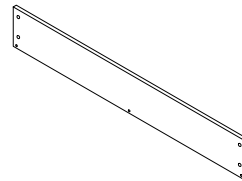
13 x 2pcs



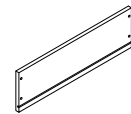
A x 2pcs



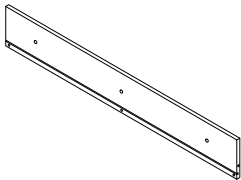
B x 2pcs



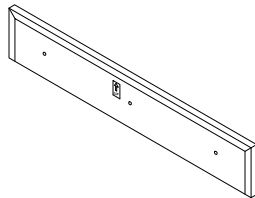
C x 4pcs



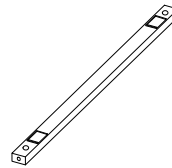
D x 2pcs



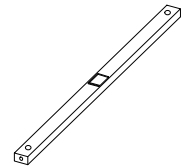
E x 2pcs



F x 4pcs



G x 2pcs



H x 10pcs



HARDWARE LIST



H1 M5 x 1pc



H2 M8x25mm x 12pcs



H3 M8x50mm x 34pcs



H4 M8x35mm x 10pcs



H5 M8 x 44pcs



H6 M8x17mm x 44pcs



H7 M8x22mm x 12pcs



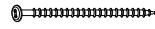
H8 x 6pcs



H9 x 6pcs

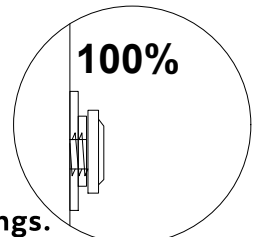
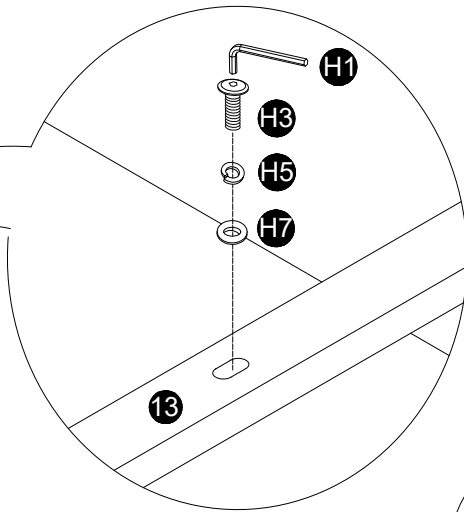
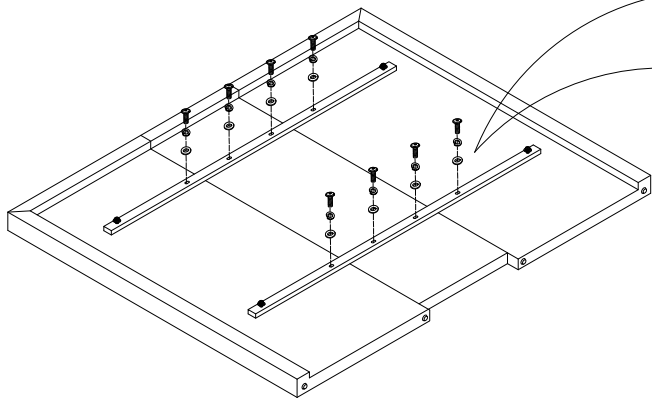
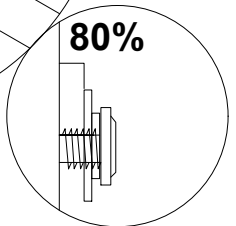
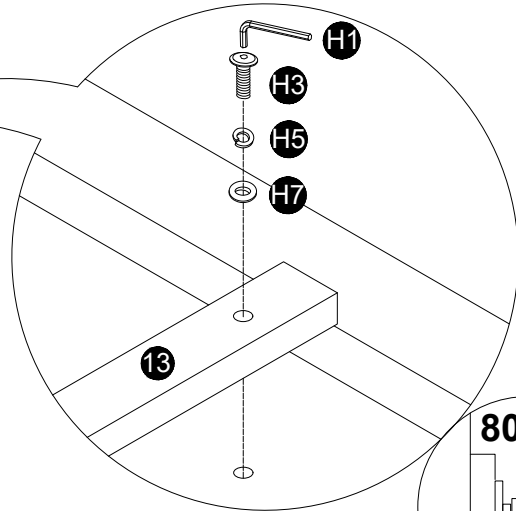
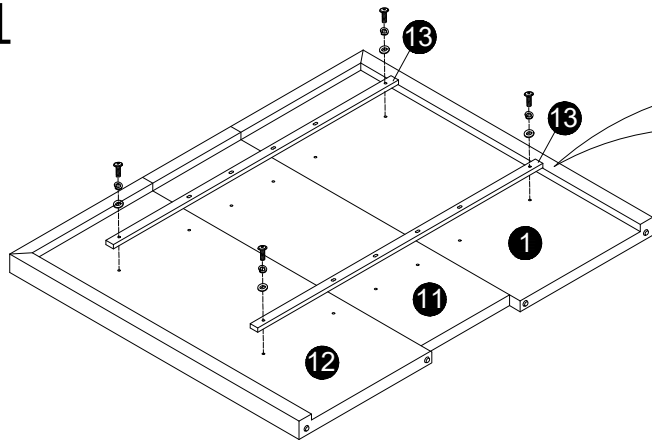


H10 x 28pcs



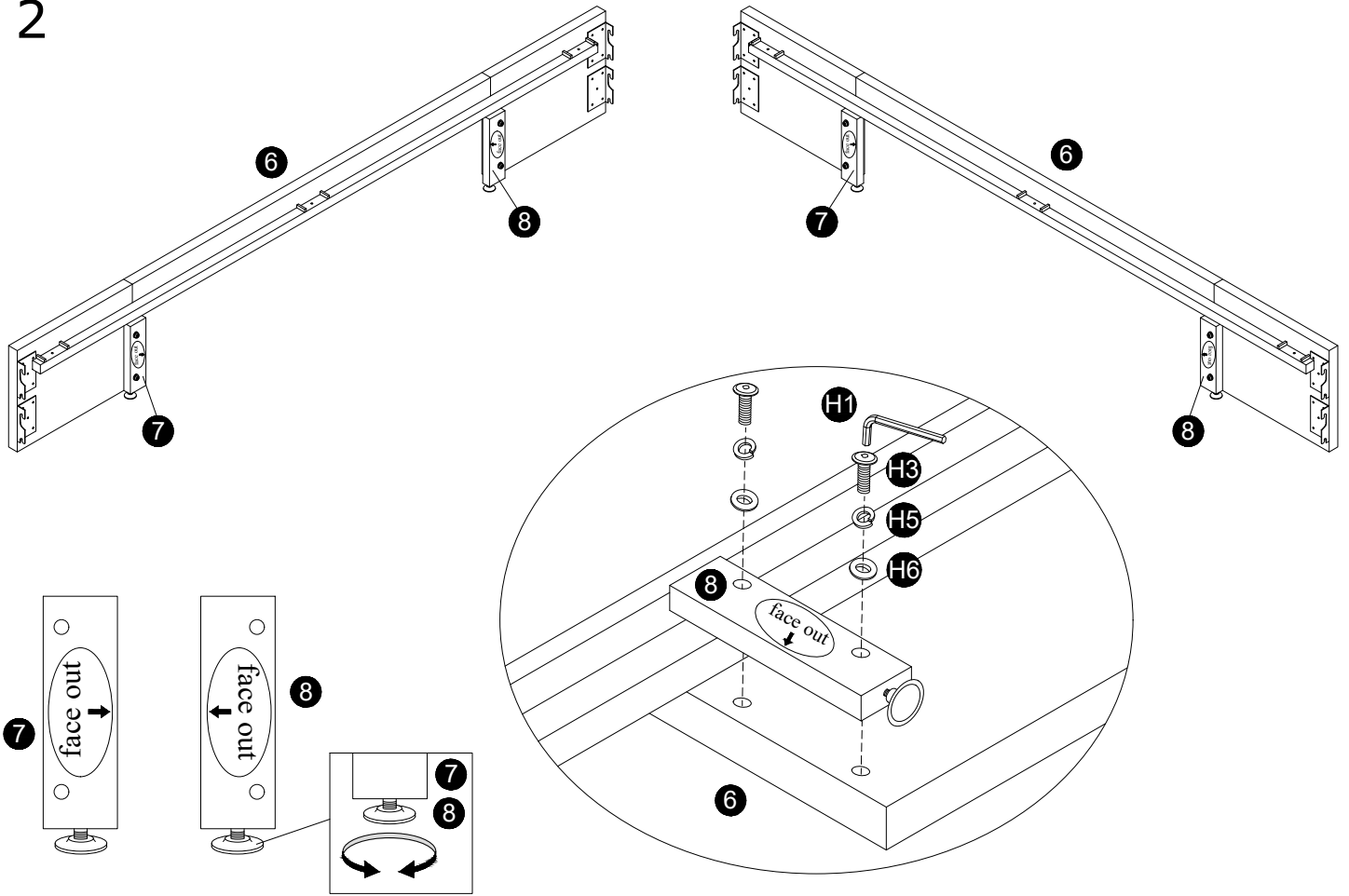
H11 5x50mm x 28pcs

1

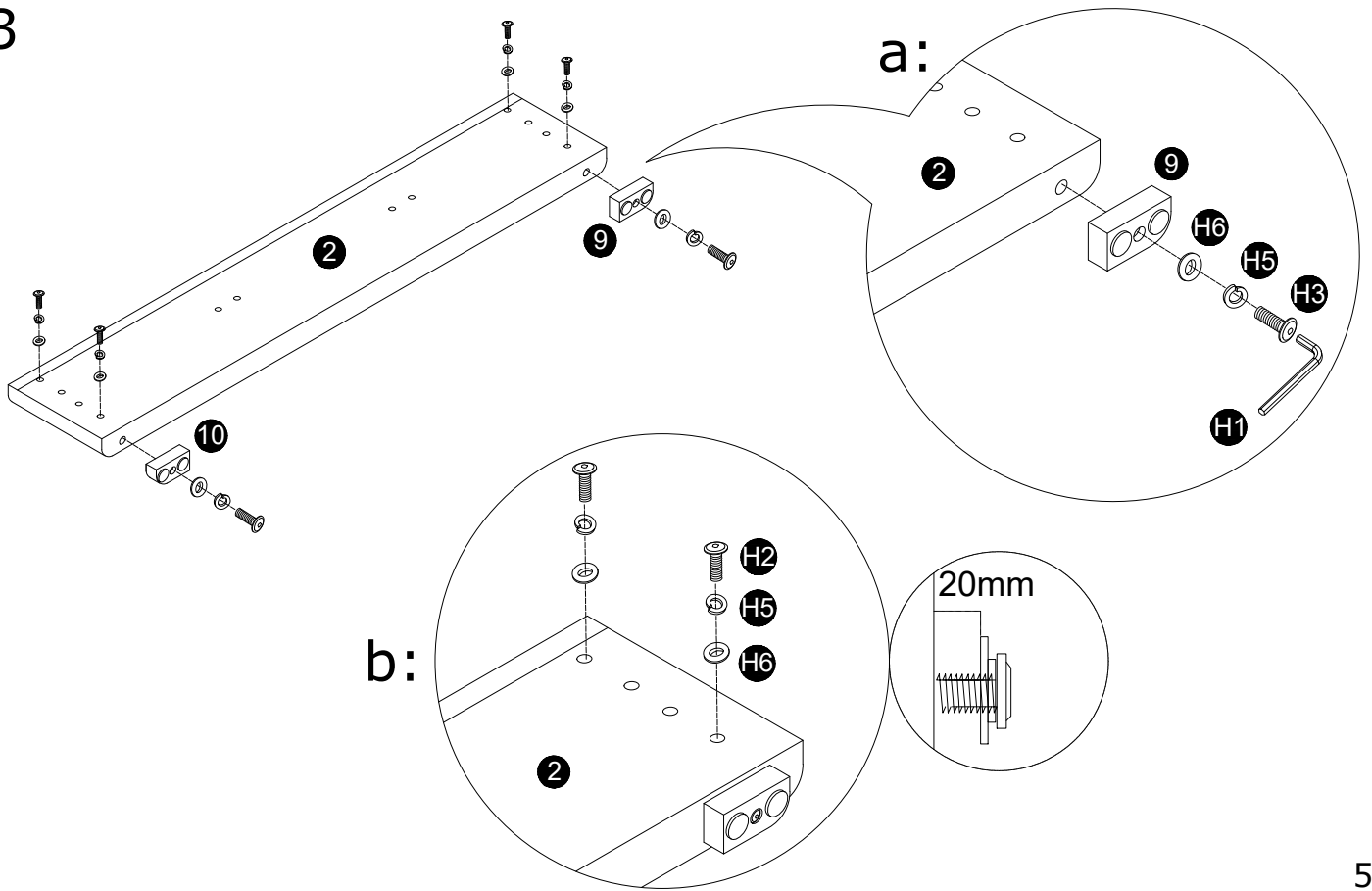


Fully tighten all fixings.

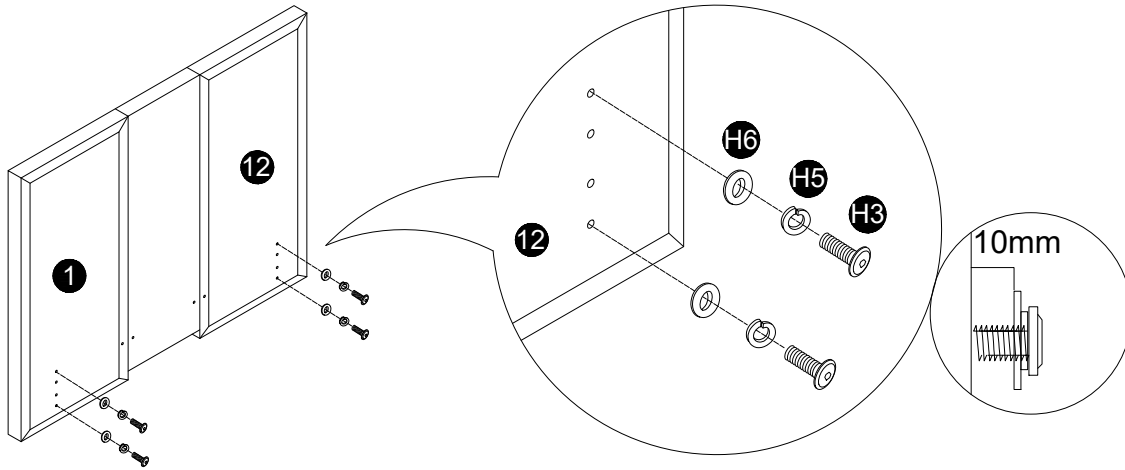
2



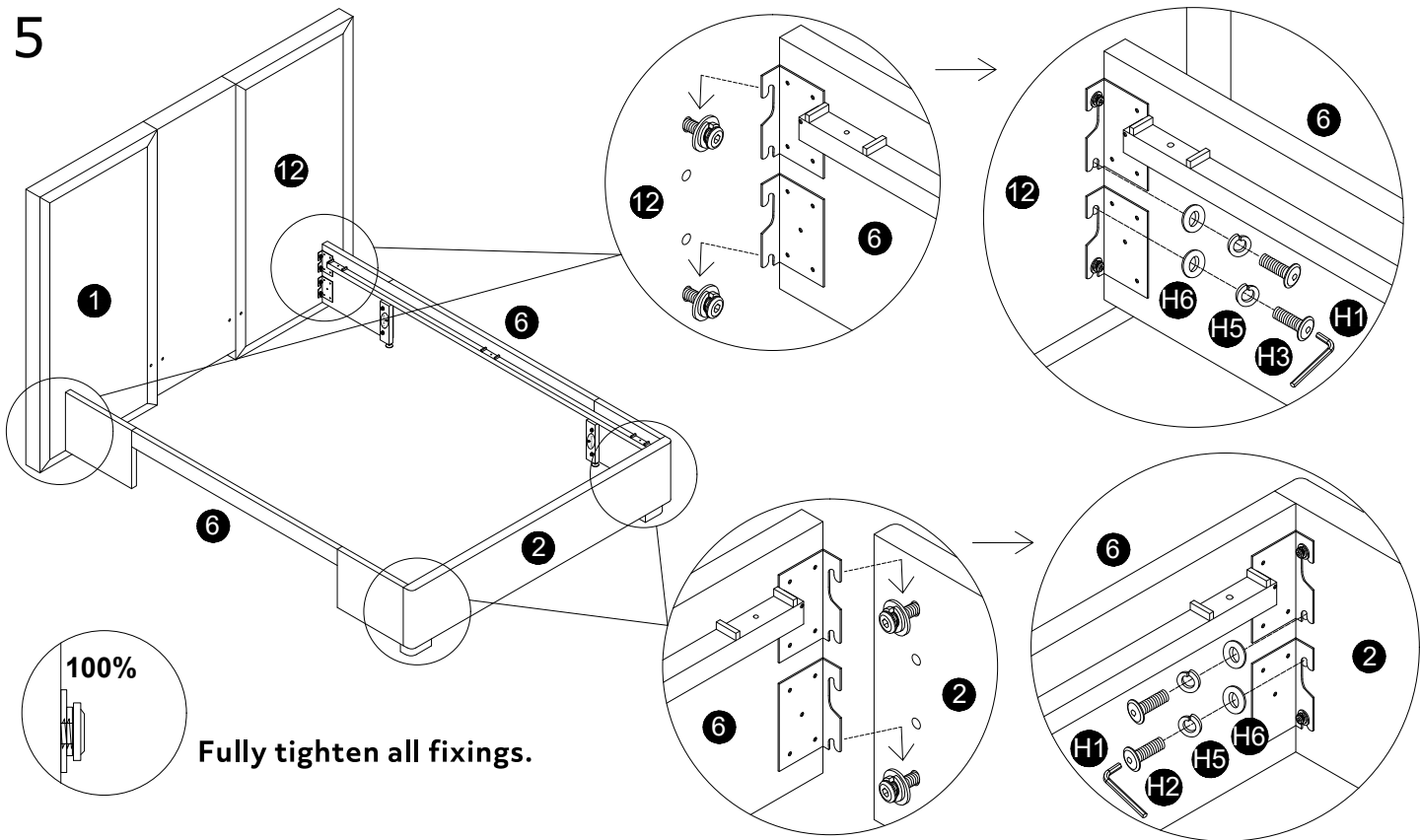
3



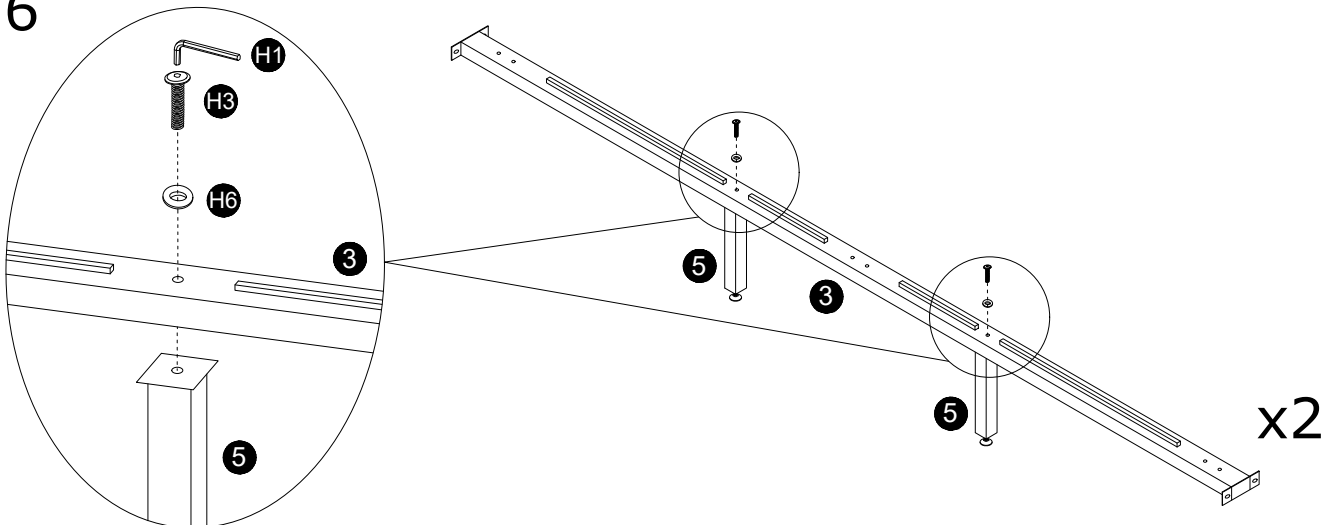
4

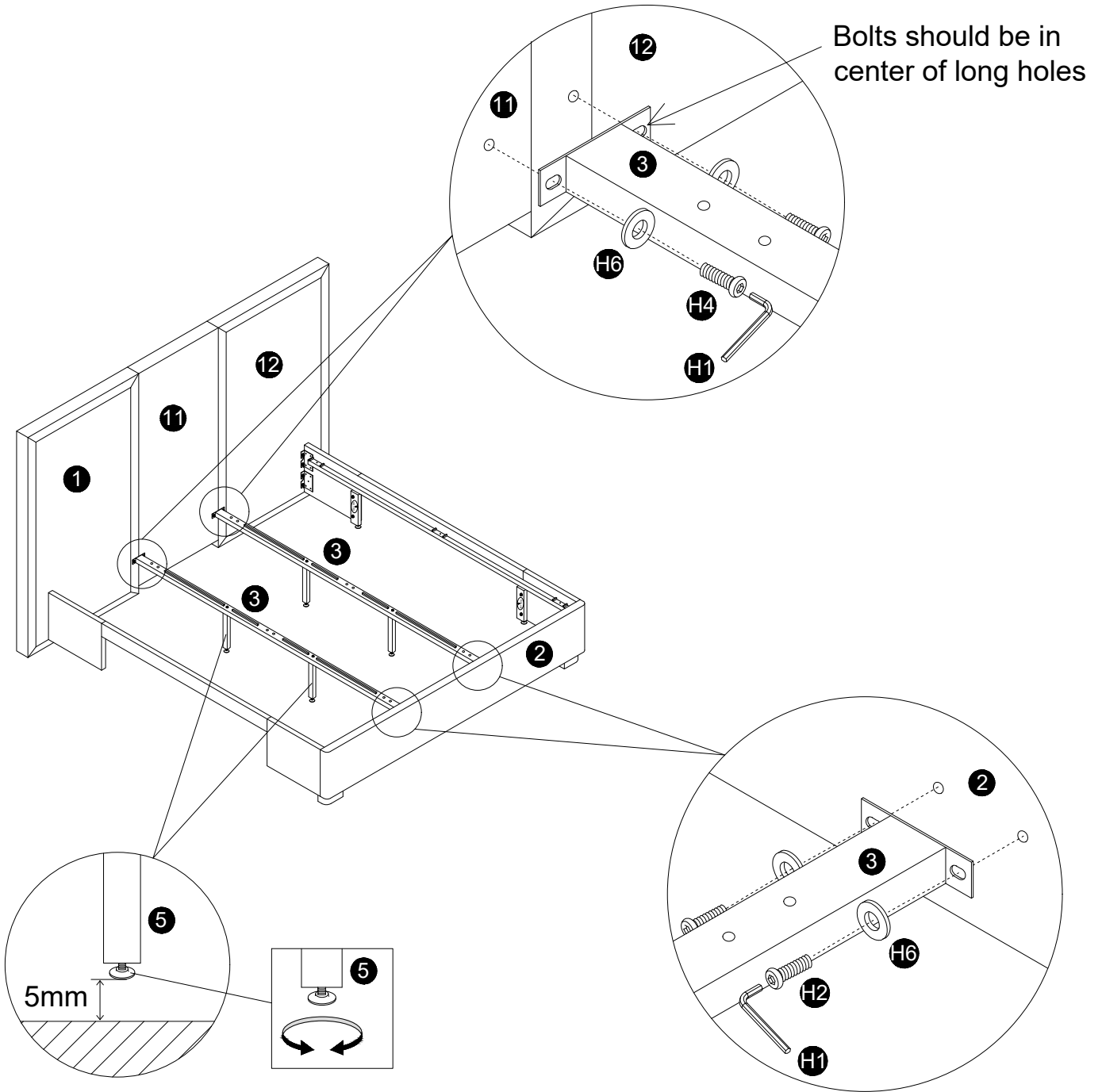


5

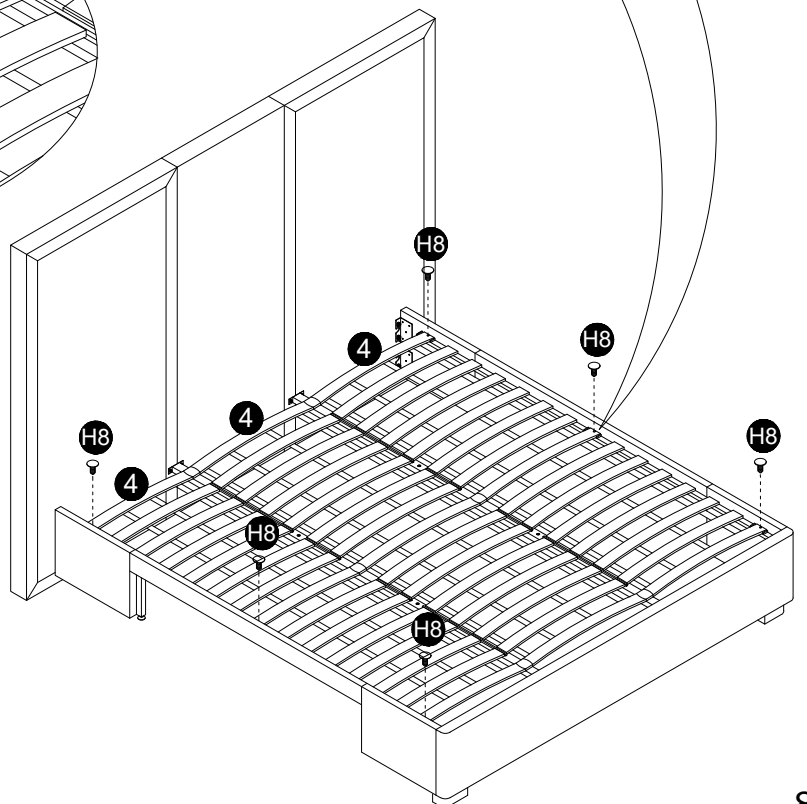
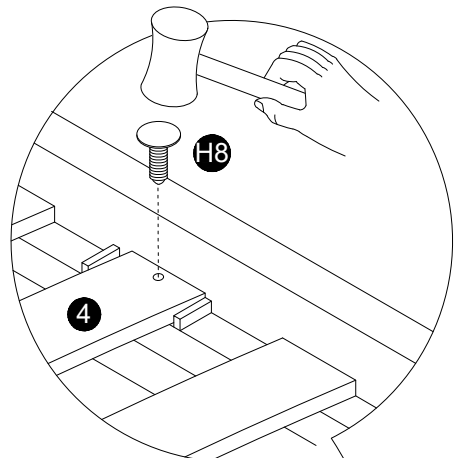
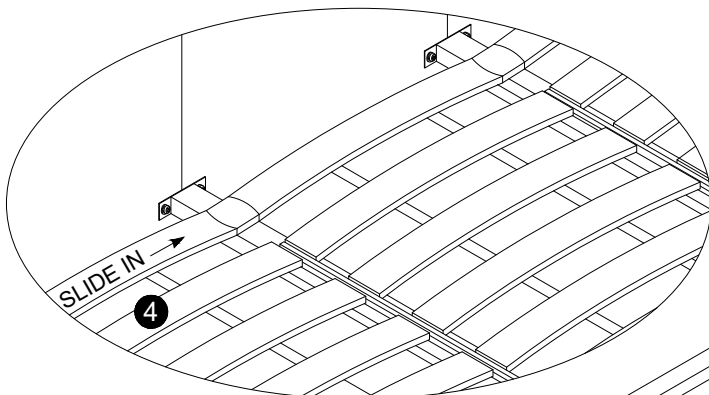
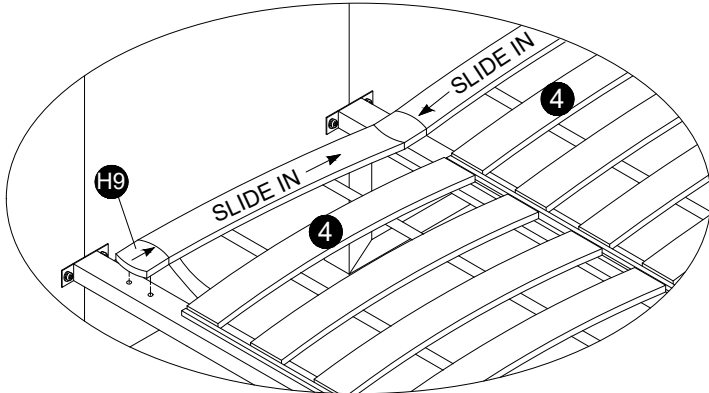
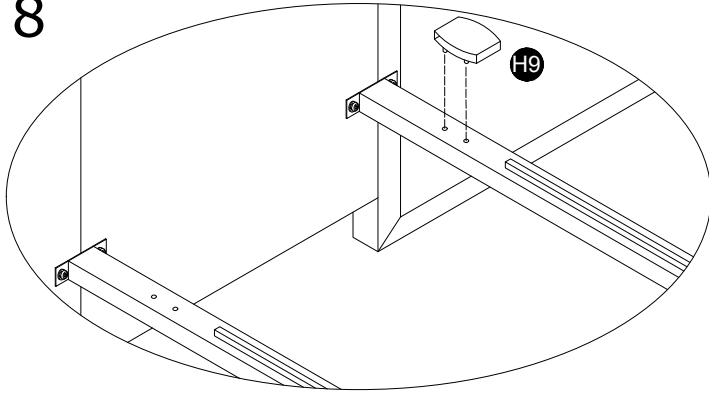


6



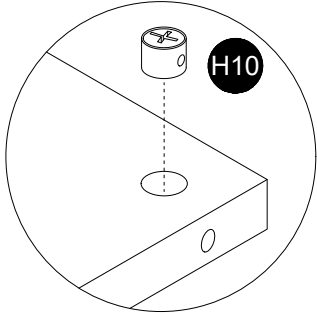
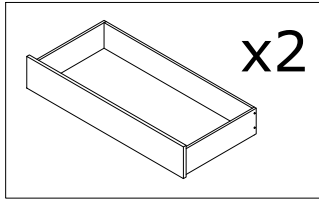


8

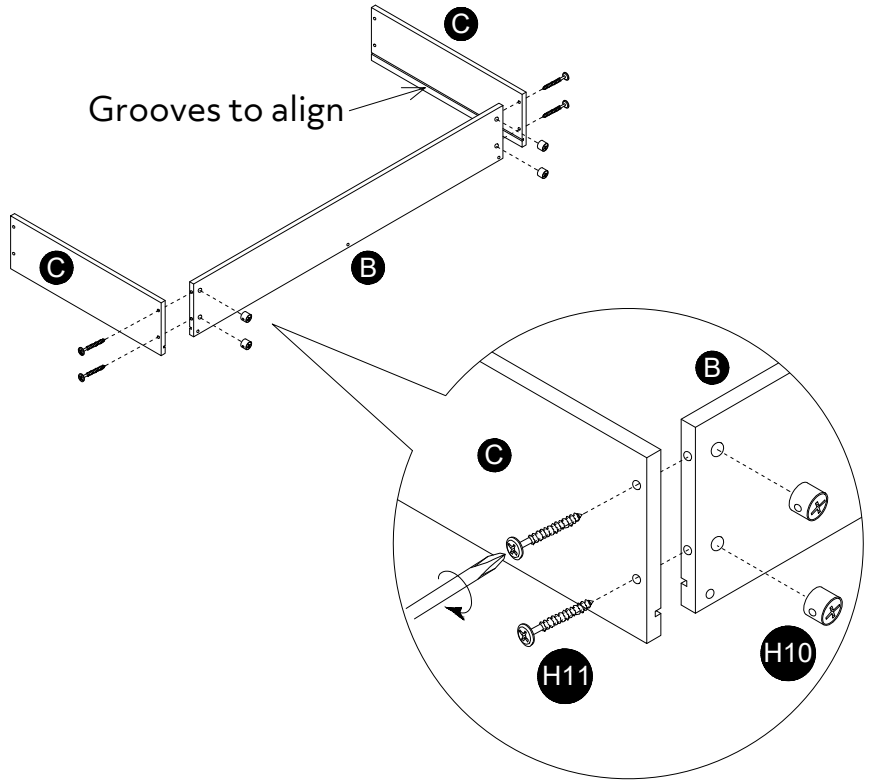


8

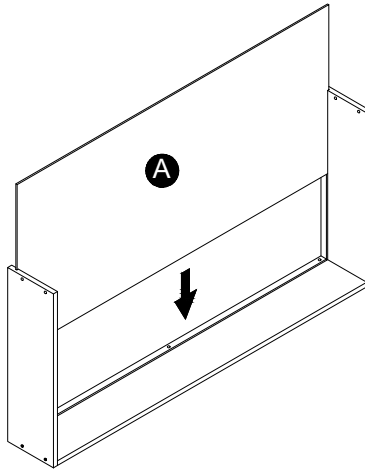
9



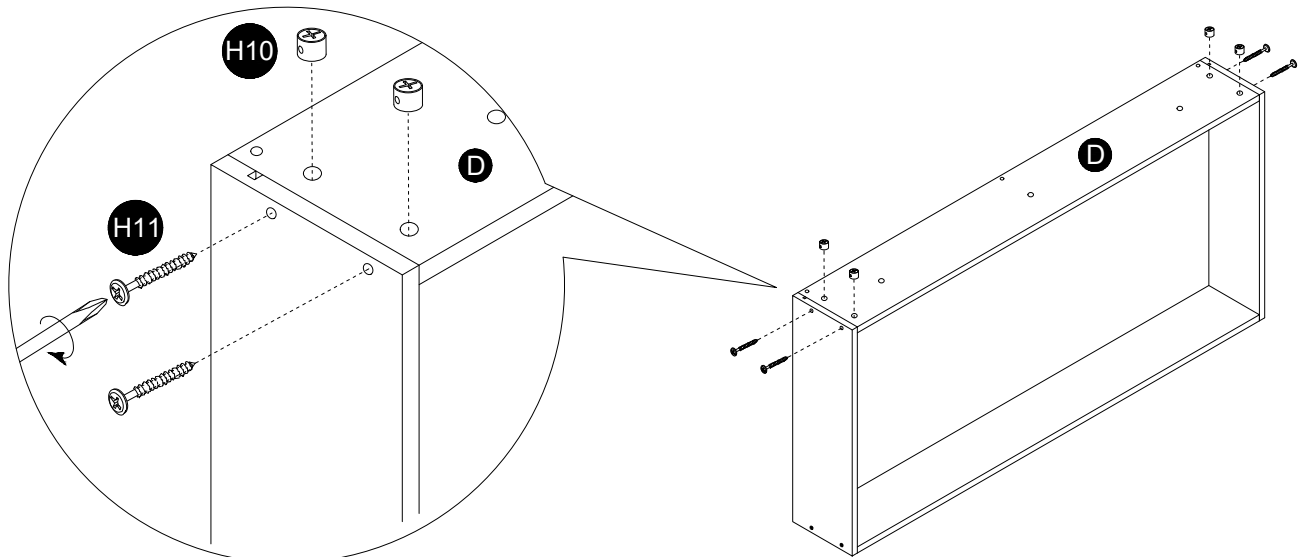
IMPORTANT:
 Make sure when fitting the nuts that the hole is in correct alignment with the hole in the panel edge.



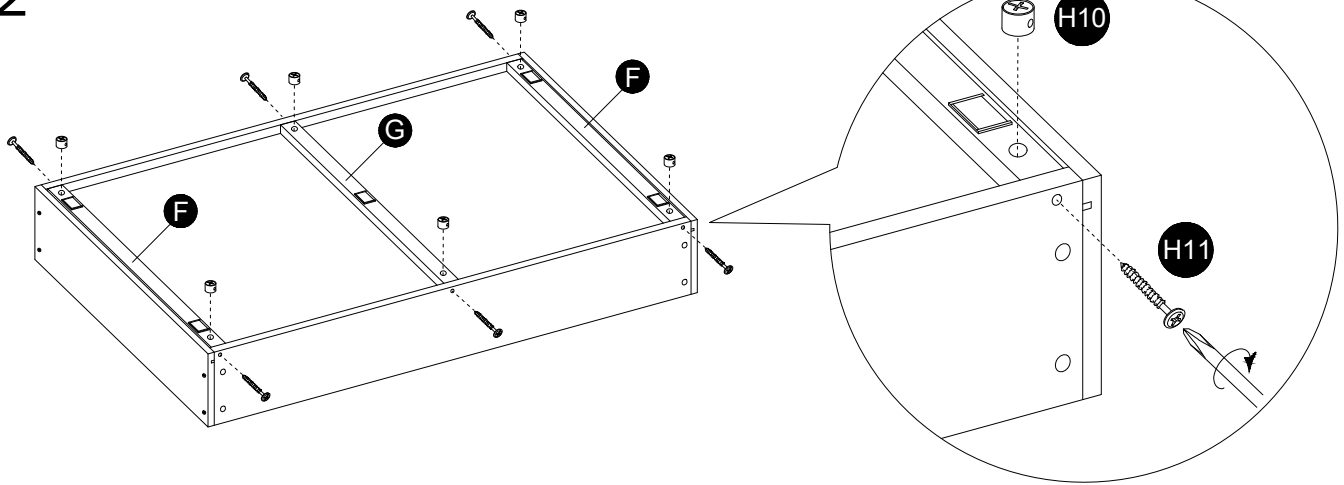
10



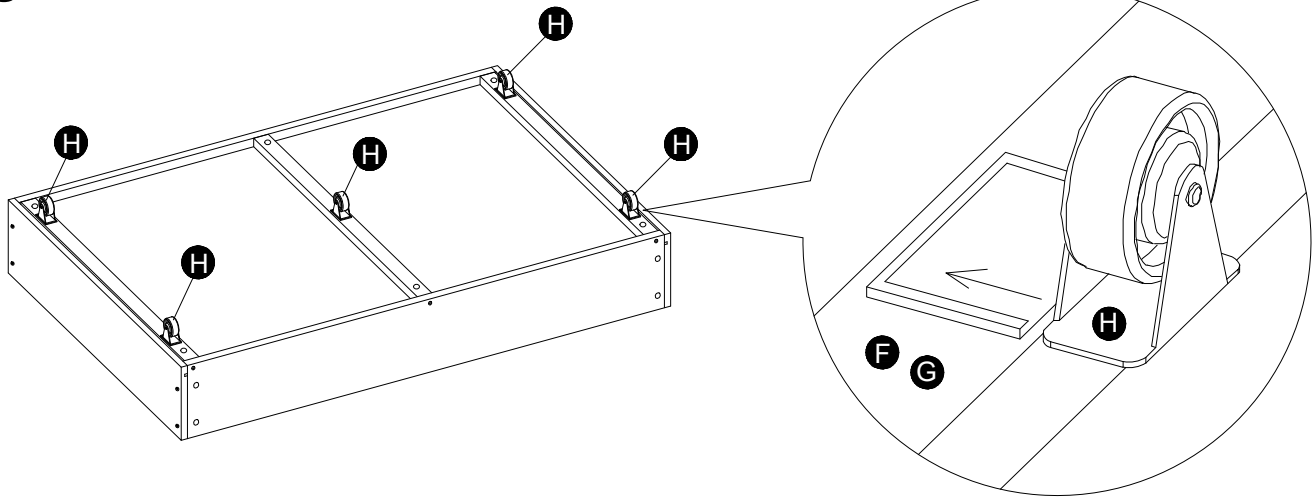
11



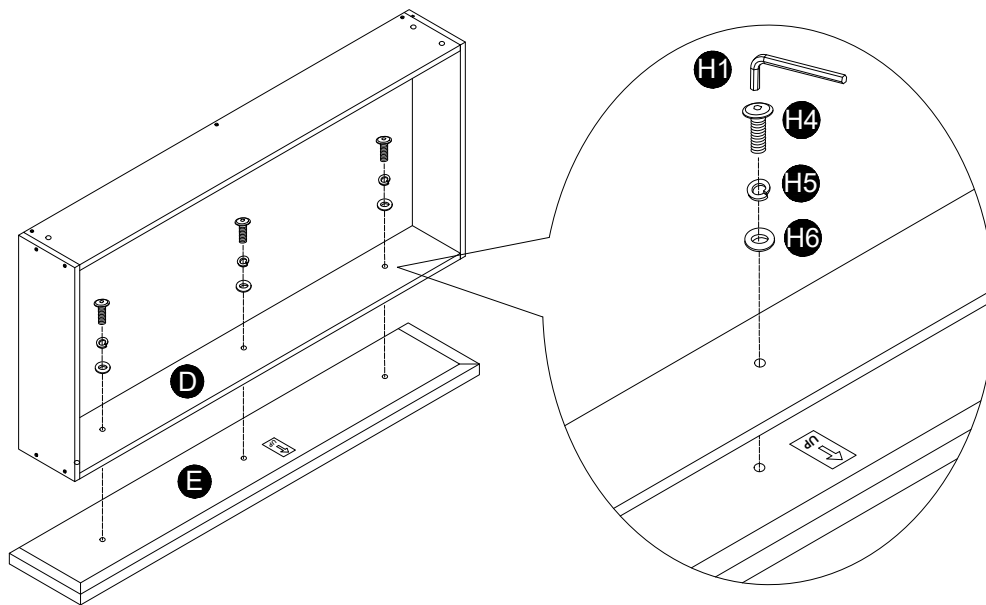
12



13



14



Job Complete !

In the interest of our environment please dispose of all packaging thoughtfully.