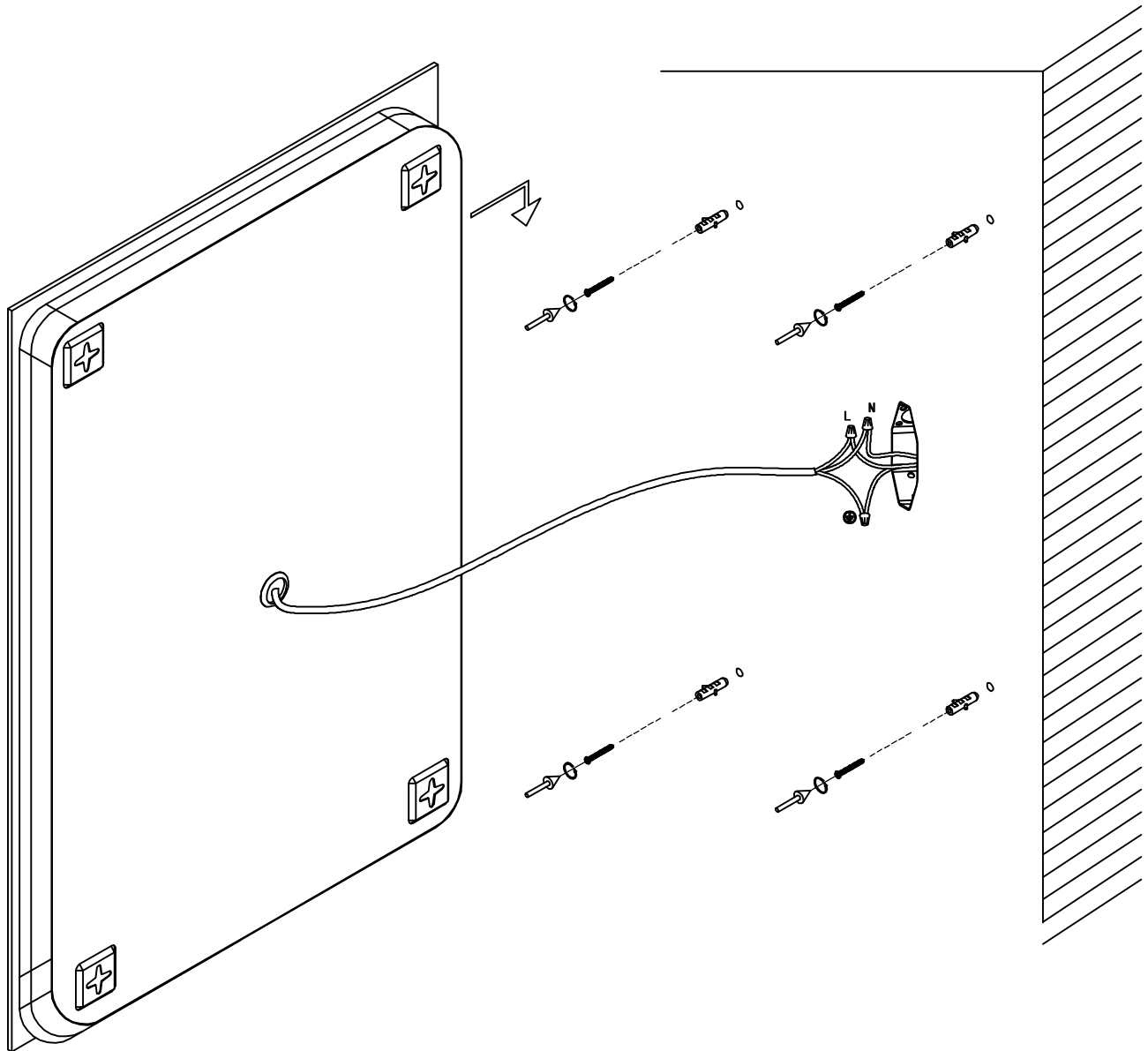


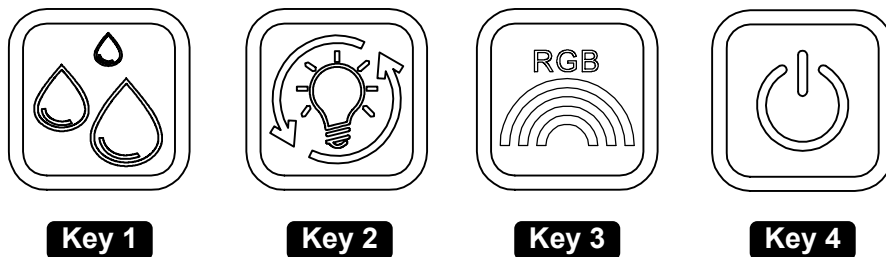
Installation and Operation Manual

① Installation Instruction



- Before installation or maintenance, ensure electricity is switched off at the mains.
- Maximum voltage 120V 60HZ, LED 12W-72W
- Decide the position of hanging screws and mark this position for installing screws by pencil.
- Install the hanging screws on the wall leaving a 5mm screw head visible.
- Connect and wrap the power according to the professional electrician's standard, and hang the mirror on the fixed hanging screws.
- Make sure the mirror is fixed firmly on the wall and installation is done.

② Mirror Light Four-Key Touch switch manual



- **Key 1** Click on/off for defogging

Indicator light: 6000K cold indicator light in the on status; indicator light turns off in the off status; blue indicator light appears when in the touch status.

- **Key 2** Click adjust CCT (Cold light, Natural light, Warm light, Circulate light (for RGB model only) long press to achieve infinite dimming when the light is on.

Indicator light: 6000K cold indicator light in the on status; indicator light turns off in the off status; blue indicator light appears when in the touch status

- **Key 3** Click RGB mode Light strip with color effect, RGB→Red→Yellow→Green→Cyan→Blue→Purple→Off light. long press to adjust brightness when the light is on.

- **Key 4** Click on/off for LED strips, It has a soft start function, long press to adjust brightness (10% -100%), with power off memory function.

Indicator light: 6000K cold indicator light in the on status;

When the light is off, the breath function will give out slow flashes of light on the button, which will be helpful to turn on the light in the dark.

- With memory function. The light state of staying before turning off can be retained for continued activation after turning on the lights

Maintenance: Do not clean the mirror with alkaline or acidic cleaners which will corrode the mirror, but use neutral Cleaners or water; Do not clean the back of the mirror, or the reflective coating may get voided.



Made in China