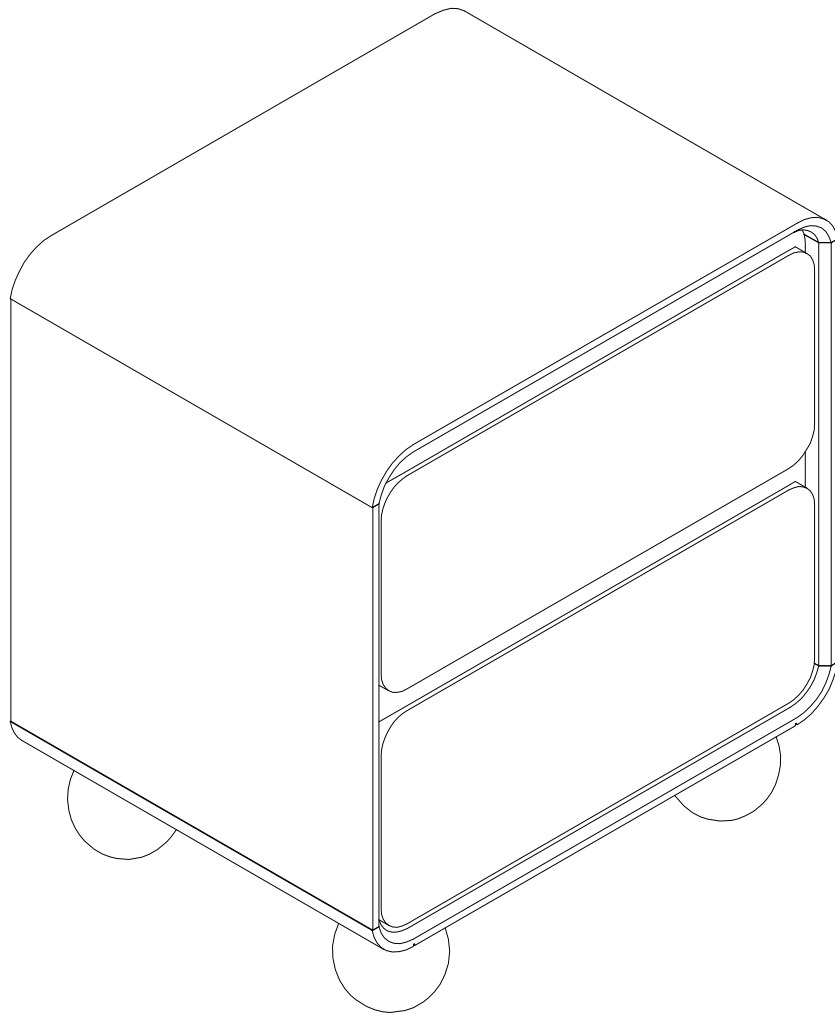


# Assembly Instructions

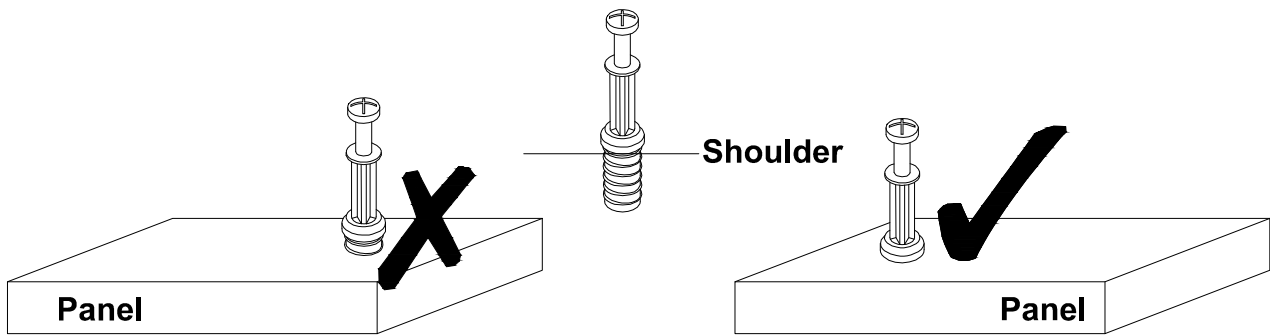


# Before Assembly

## Tips Before Your Start:

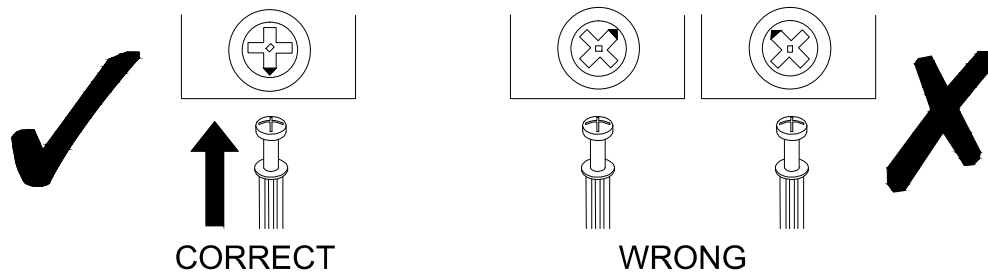
- Remove all wrapping material, including staples & packing straps before you start to assemble.
- DO NOT tighten all screws and bolts until the assembly is completely assembled.
- Keep all hardware parts out of reach of children.

## QUICKFIT



Tighten quickfit until shoulder is flush with panel. Do not overtighten or undertighten.

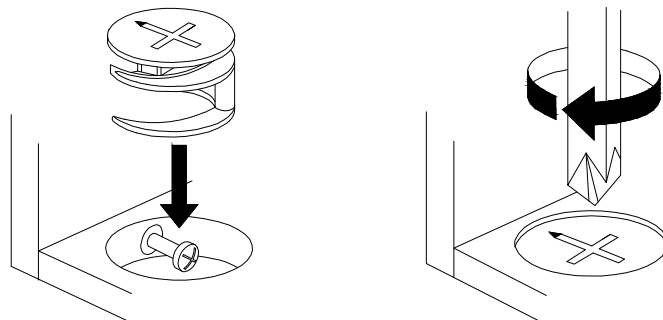
## CAM LOCK



When fitting a cam lock, ensure the starting position is correct before inserting the connecting QUI CKFIT

Quickfit head should be in the centre of the cam lock when the two panels are joined.

Cam lock should be inserted before quickfit.

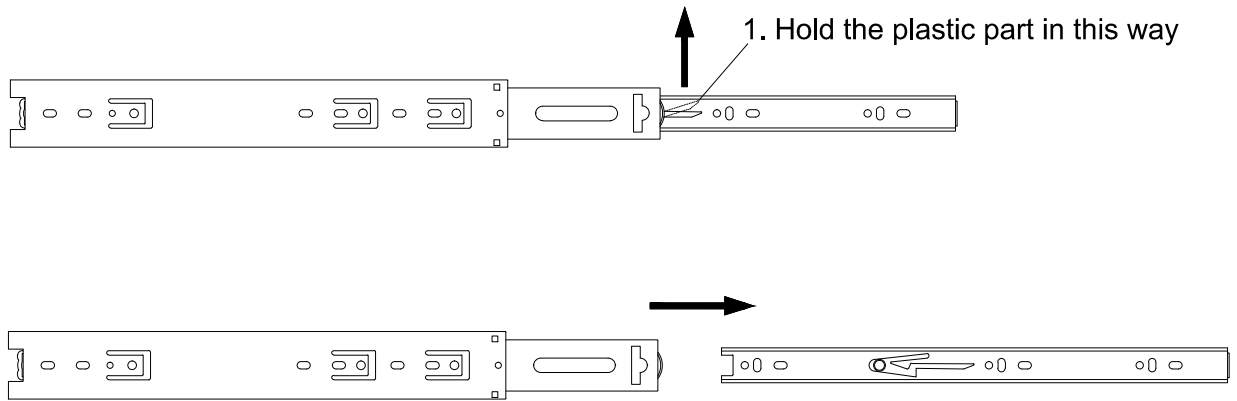


Turn cam lock clockwise to tighten.

# Before Assembly

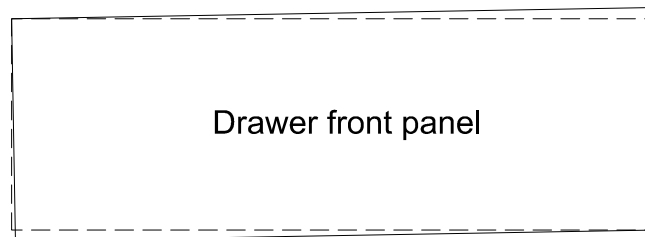
## Tips Before Your Start

How to separate the drawer slider:

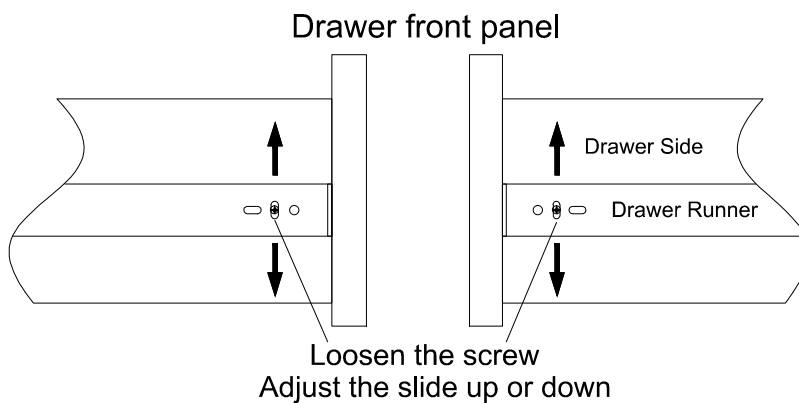


2. Pull out the inner slider for drawer box fixing

## Drawer Front Alignment




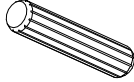
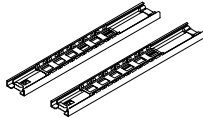
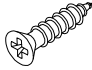
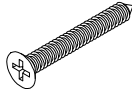
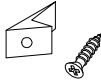

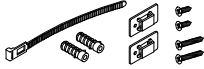


If the drawer front panel is NOT level after being assembled, then...

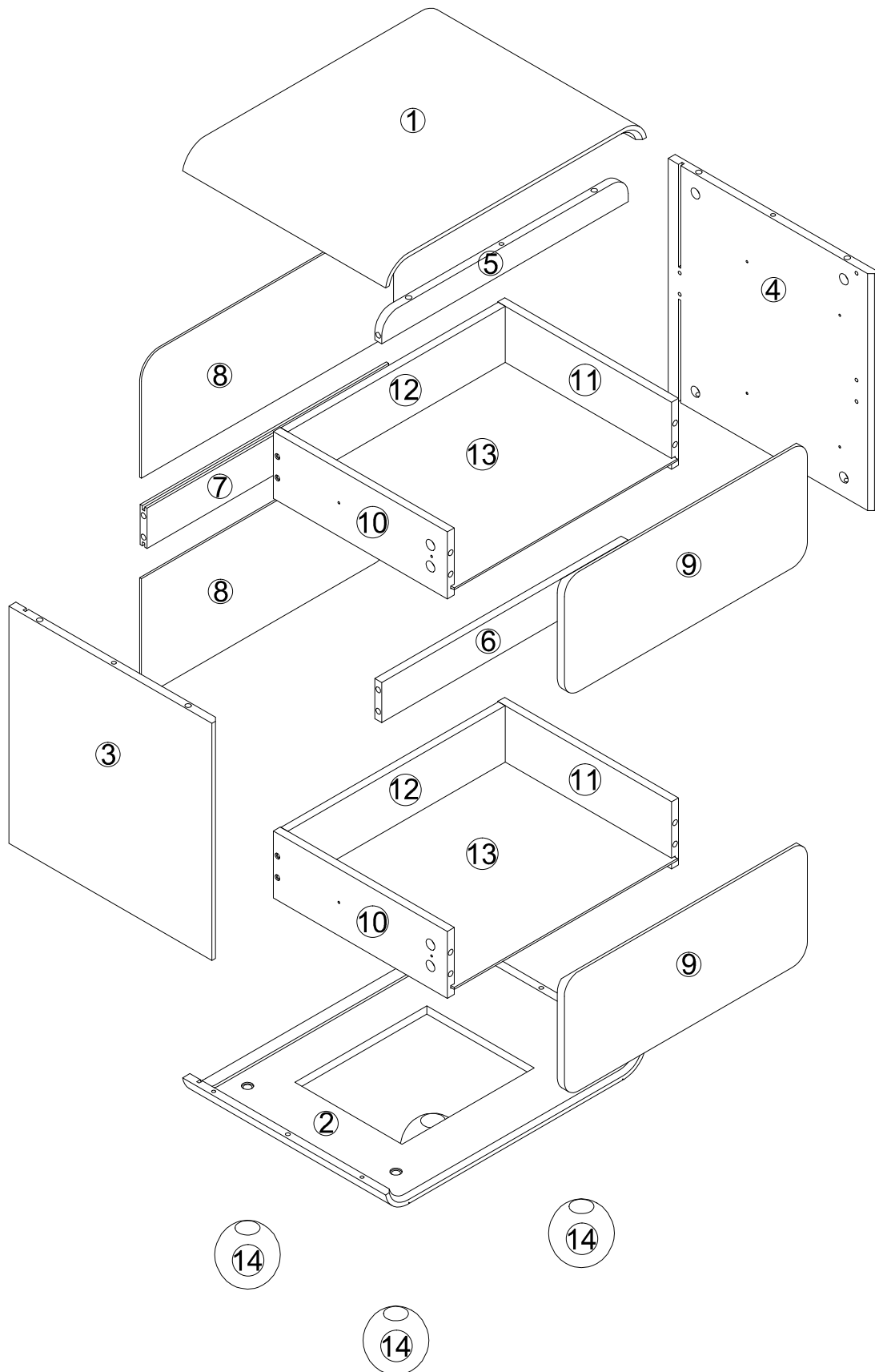


Loosen the screws on the left and right hand side, then adjust the drawer slide up or down, until the drawer fronts are even/level, then tighten the screws.

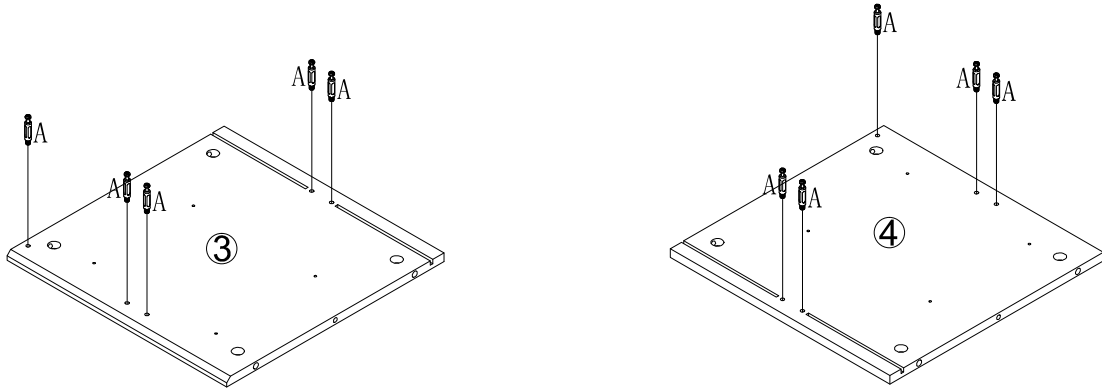
# Part List

|  |   |  |  |
|--|---|--|--|
| <p><b>No. A</b><br/>Quantity: 28 Pcs<br/>Cam Lock Dowel<br/>8*28mm</p>  | <p><b>No. B</b><br/>Quantity: 28 Pcs<br/>Cam<br/>φ15</p>           | <p><b>No. C</b><br/>Quantity: 28 Pcs<br/>Sticker<br/>Ø20</p>   | <p><b>No. D</b><br/>Quantity: 5 Pcs<br/>Dowel<br/>6*30mm</p>  |
| <p><b>No. E</b><br/>Quantity: 2 Sets<br/>Drawer Slider<br/>10"</p>      | <p><b>No. F</b><br/>Quantity: 16 Pcs<br/>Screw<br/>M3.5*12mm</p>   | <p><b>No. G</b><br/>Quantity: 8 Pcs<br/>Screw<br/>M4*30mm</p>  | <p><b>No. H</b><br/>Quantity: 4 Sets<br/>Plastic Wedge</p>    |
| <p><b>No. I</b><br/>Quantity: 4 Pcs<br/>Foot Pad<br/>Ø20</p>          | <p><b>No. J</b><br/>Quantity: 1 Sets<br/>Anti-falling Parts</p>  |  |  |

# Product structure



# STEP 1



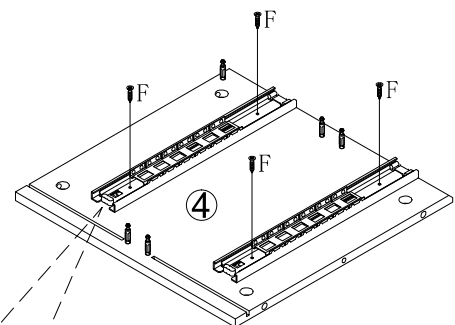
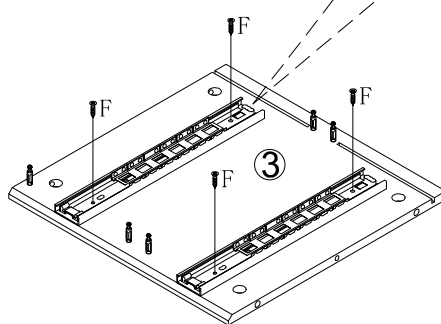
No. A  
Quantity: 10 Pcs  
8\*28 mm



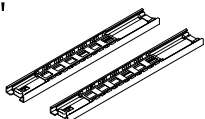
# STEP 2



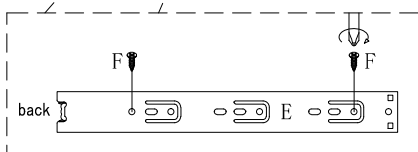
The first screw hole should corresponded with the board location hole



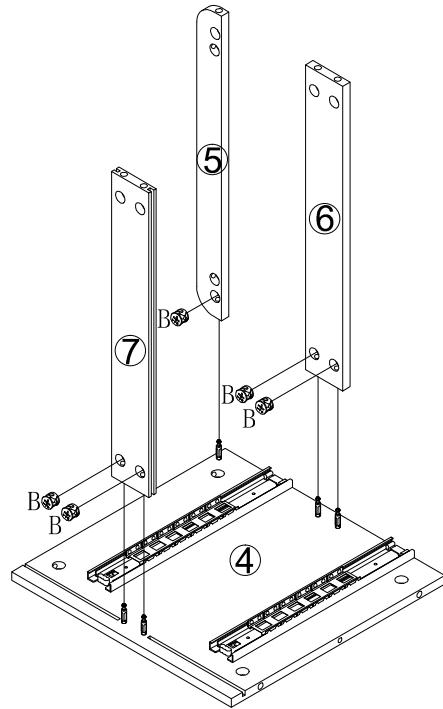
No. E  
Quantity: 2 Sets  
10"



No. F  
Quantity: 8 Pcs  
M3.5\*12mm



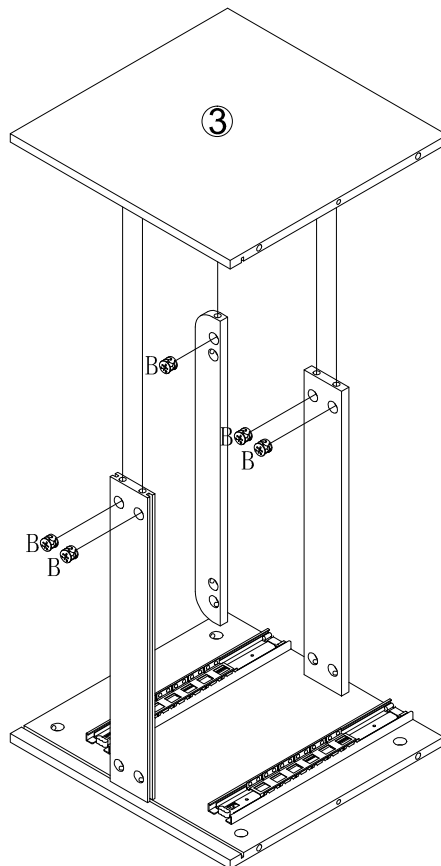
# STEP 3



No. B  
Quantity: 5 Pcs  
Ø15



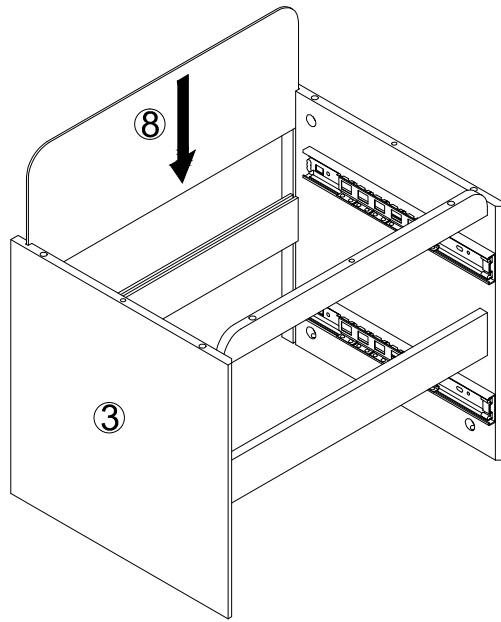
# STEP 4



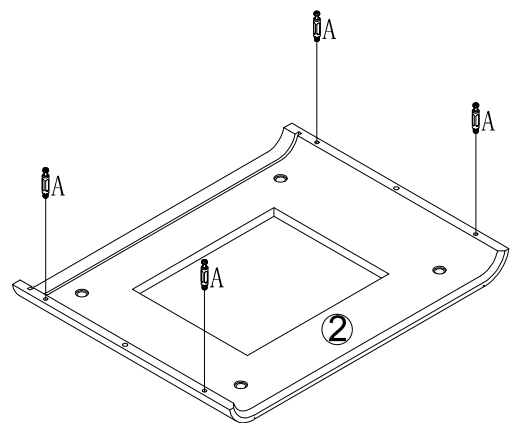
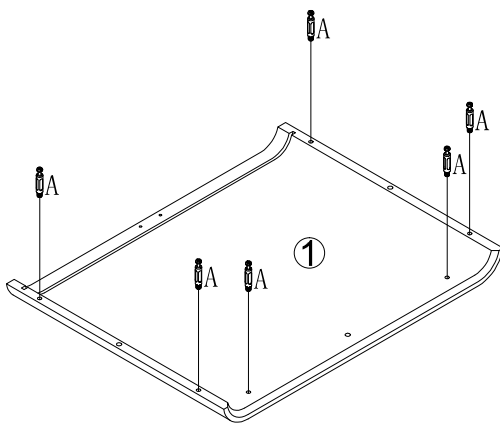
No. B  
Quantity: 5 Pcs  
Ø15



# STEP 5



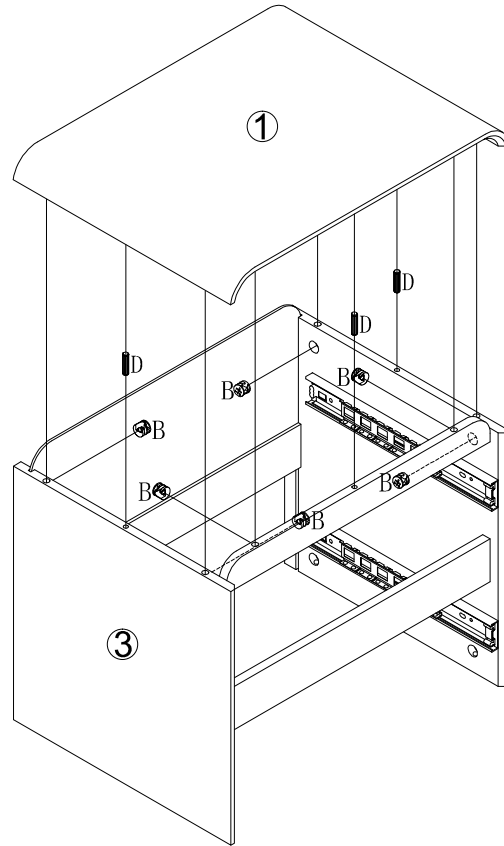
# STEP 6



No. A  
Quantity: 10 Pcs  
8\*28 mm



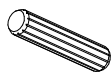
# STEP 7



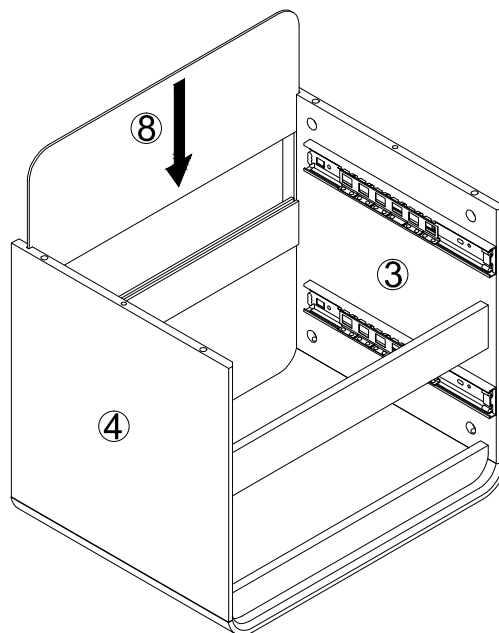
No. B  
Quantity: 6 Pcs  
Ø15



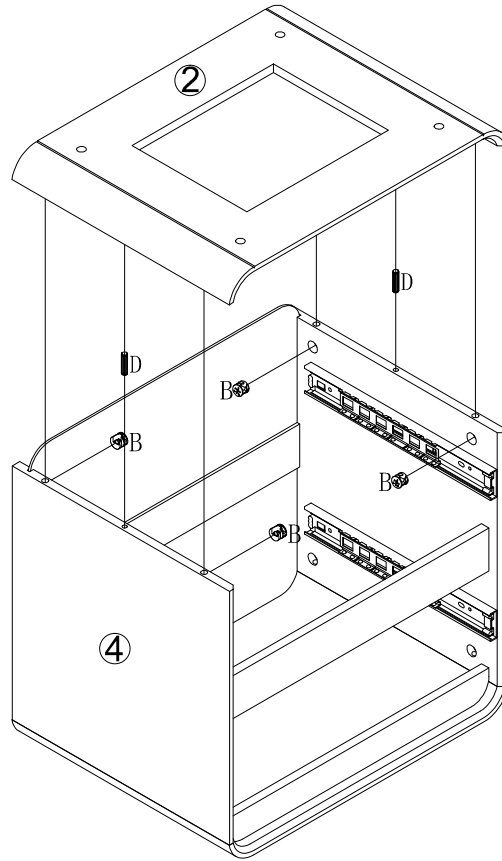
No. D  
Quantity: 3 Pcs  
6\*30mm



# STEP 8



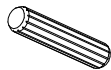
# STEP 9



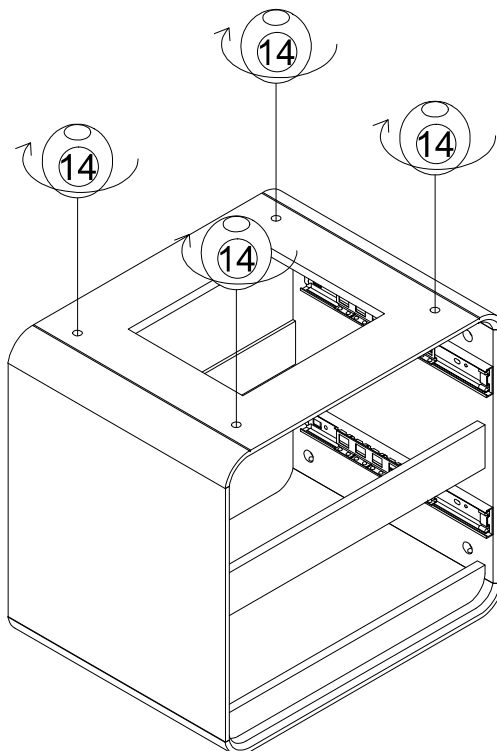
No. B  
Quantity: 4 Pcs  
Ø15



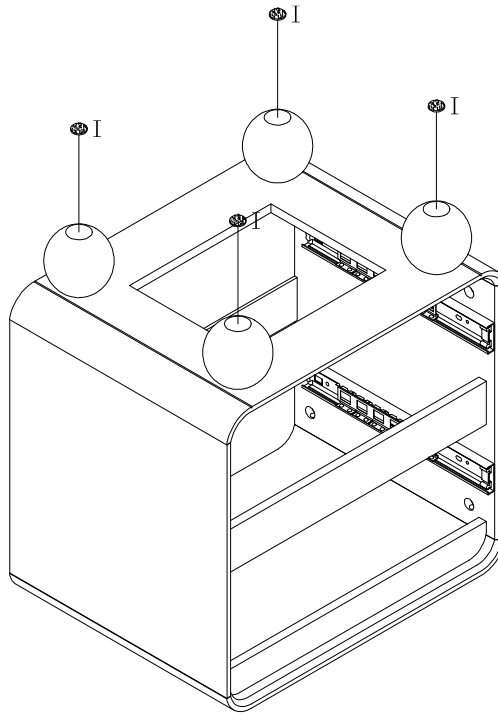
No. D  
Quantity: 2 Pcs  
6\*30mm



# STEP 10



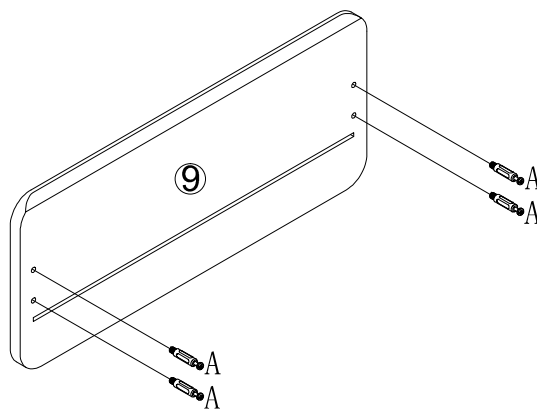
# STEP 11



No. I  
Quantity: 4 Pcs  
Ø20



# STEP 12

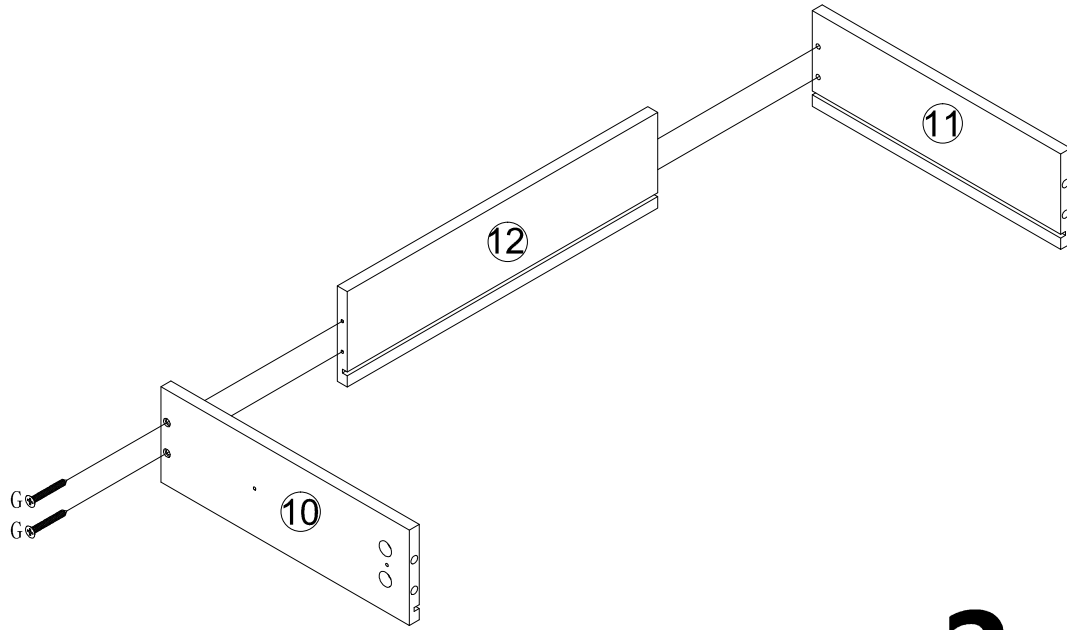


**x2**

No. A  
Quantity: 8 Pcs  
8\*28 mm

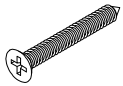


# STEP 13

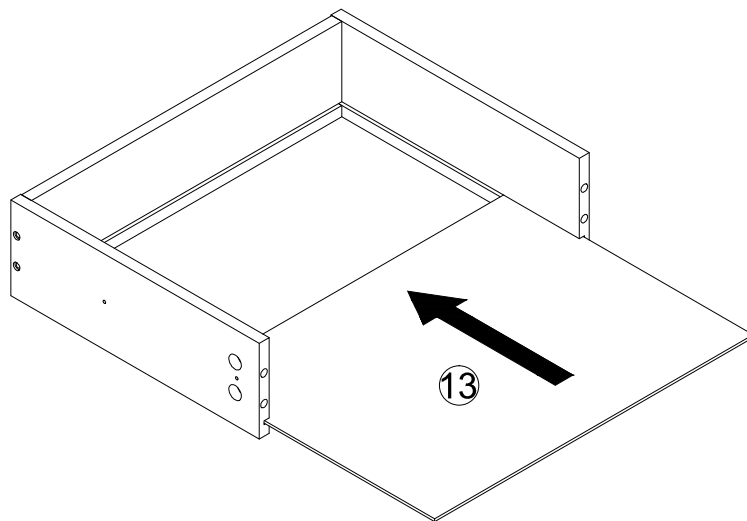


**x2**

No. G  
Quantity: 8 Pcs  
M4\*30mm

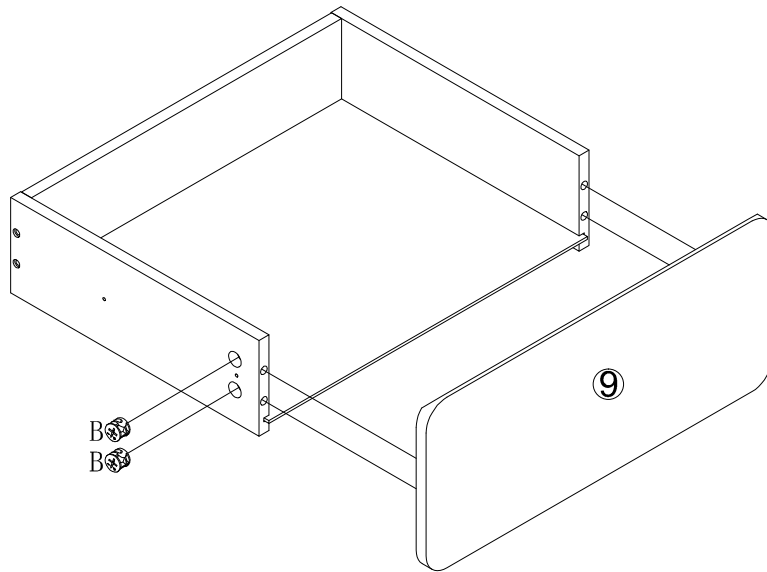


# STEP 14



**x2**

# STEP 15



**x2**

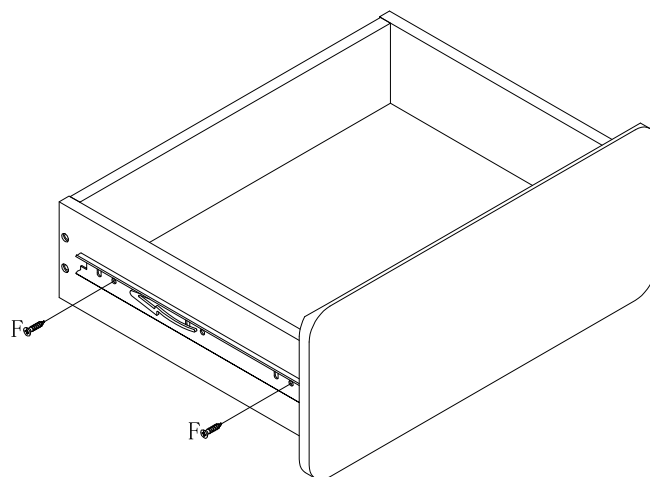
No. B  
Quantity: 8 Pcs  
Ø15



# STEP 16

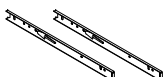


The first screw hole should corresponded with the board location hole



**x2**

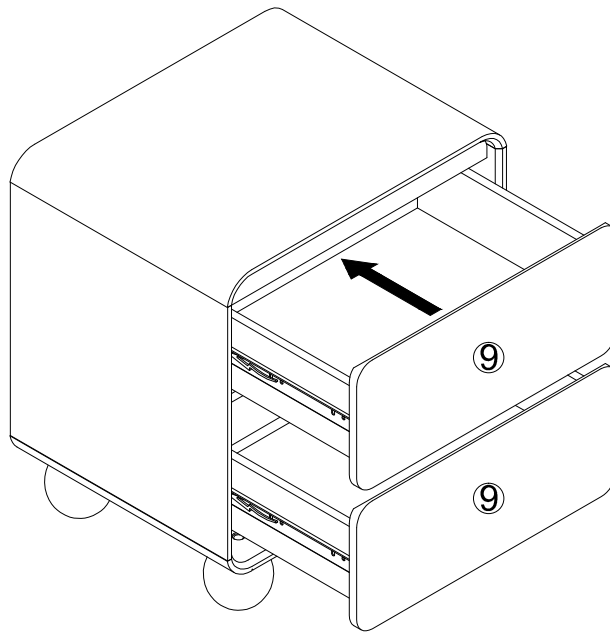
No. E  
Quantity: 2 Sets  
10"



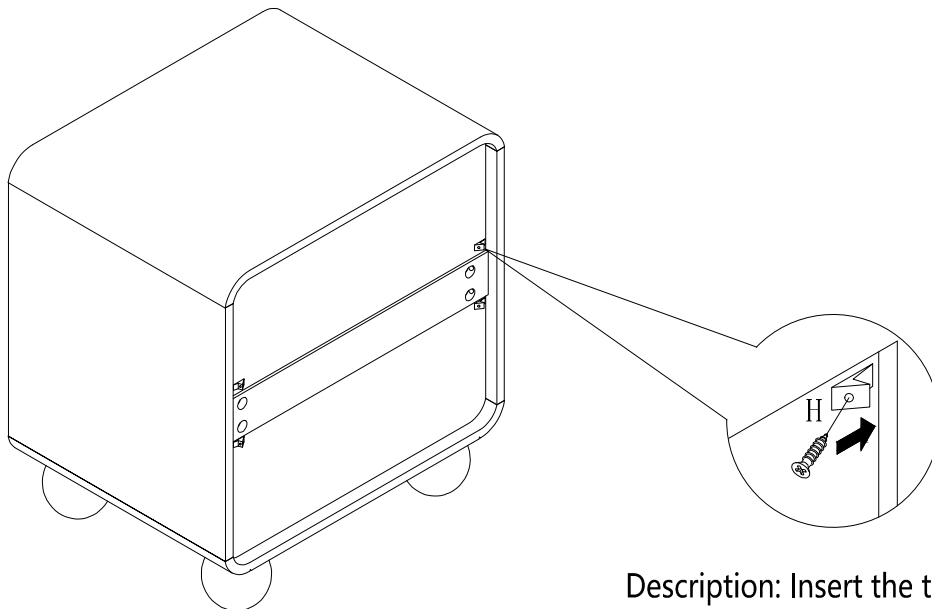
No. F  
Quantity: 8 Pcs  
M3.5\*12mm



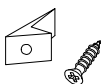
## STEP 17



## STEP 18

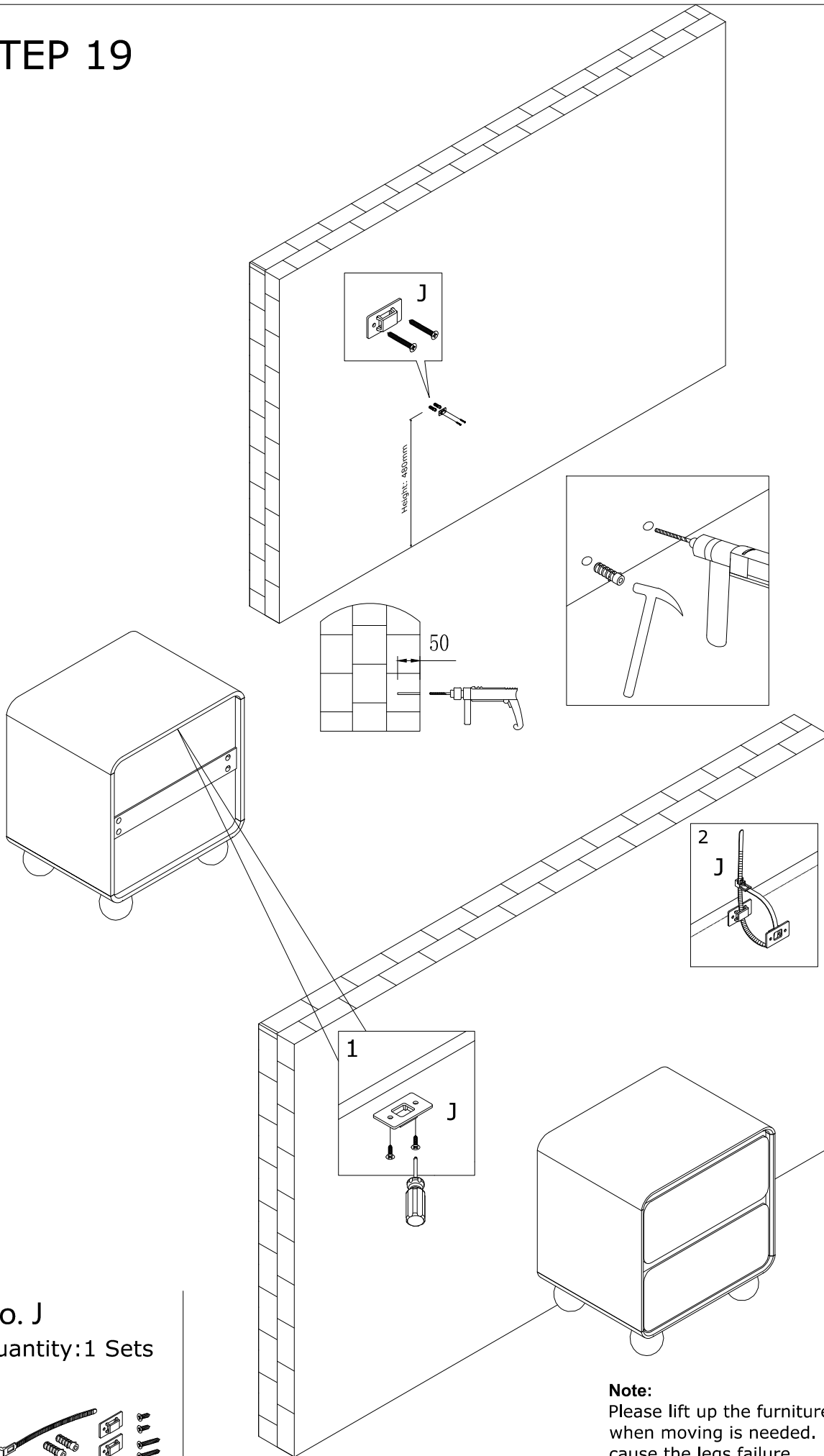


No. H  
Quantity: 4 Sets

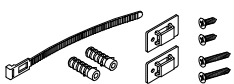


Description: Insert the thinner end of the reinforcement into the gap in this back panel, then tighten the screws. This will make the cabinet more stable.

# STEP 19



No. J  
Quantity: 1 Sets



**Note:**  
Please lift up the furniture by two people when moving is needed. Dragging may cause the legs failure.