

## Eastlake Outdoor Dining Side Chair

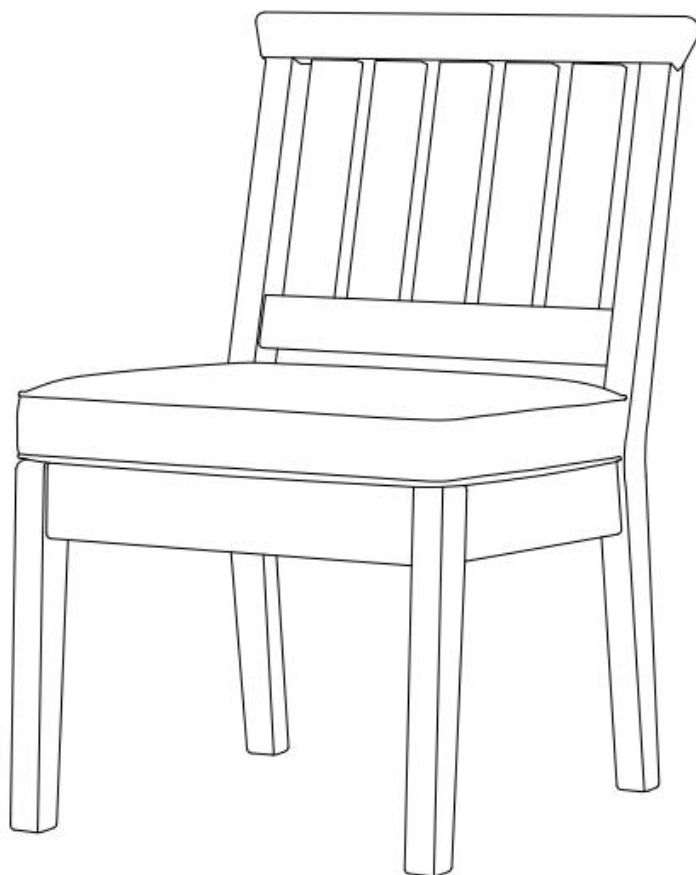
Your furniture requires assembly prior to use. It is important that you read the entire assembly instructions to become familiar with the unit before you set up this product.

### **Safety Warning and Precautions**

**WARNING:** When setting up your furniture, basic precautions should always be followed to reduce risk of personal injury and damage to the product.

Read all instructions before assembly and usage this product.


1. Select ideal location. Set out all parts on a clear and level surface prior to assembly. Ideally, the furniture should be set up in the desired location to avoid moving it after assembly.
2. Use caution. During all the processes of assembling, especially when lifting heavy or large parts, pay attention to safety.
3. Tools and Assistance. An adjustable spanner is required for assembly. It is recommended 2 people assist with assembly.
4. Check all parts before assembling, ensure you have all parts detailed in the parts list on Page 2.
5. Refer to assembly diagram. During assembly, refer to the assembly instructions on following pages.
6. Caution. Keep children away from work area during assembly. Do not allow children to handle parts or tools while assembling.

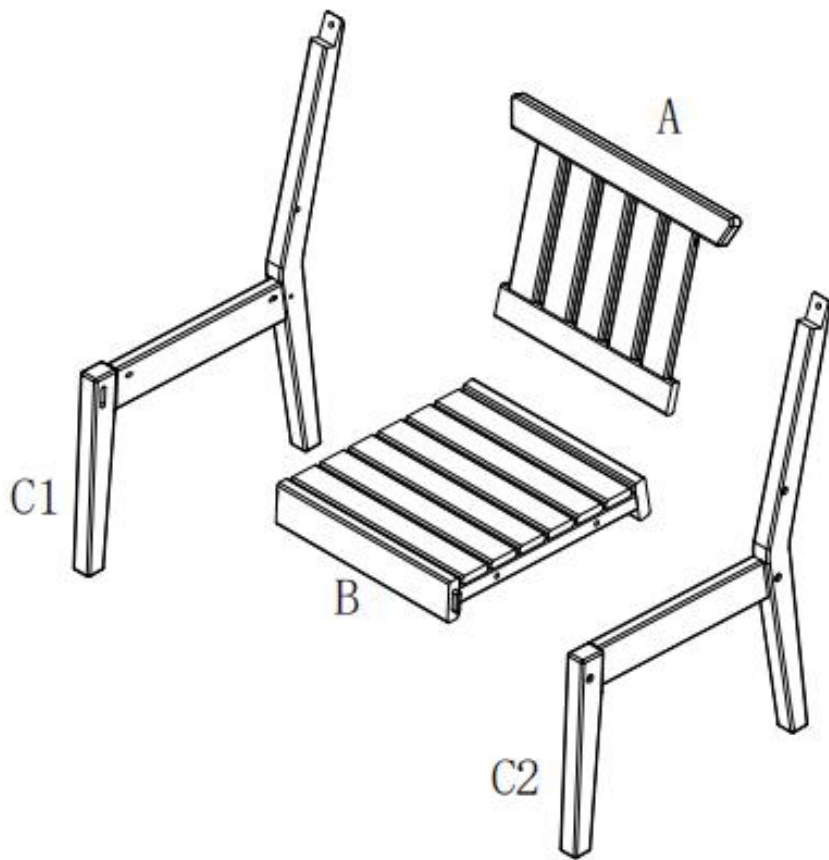
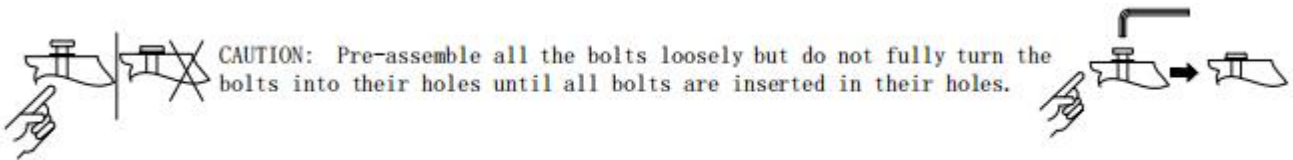


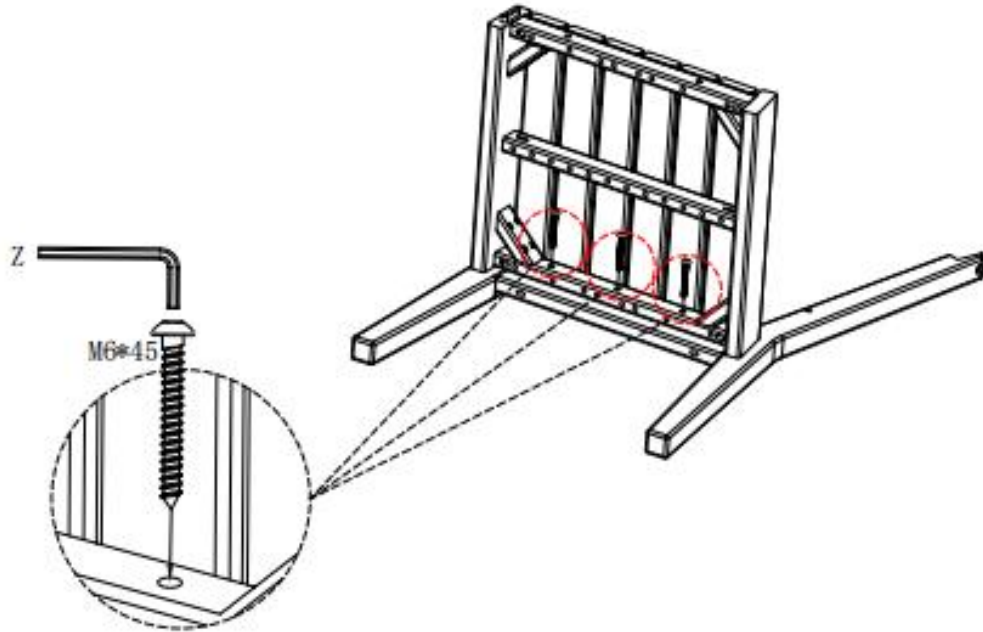
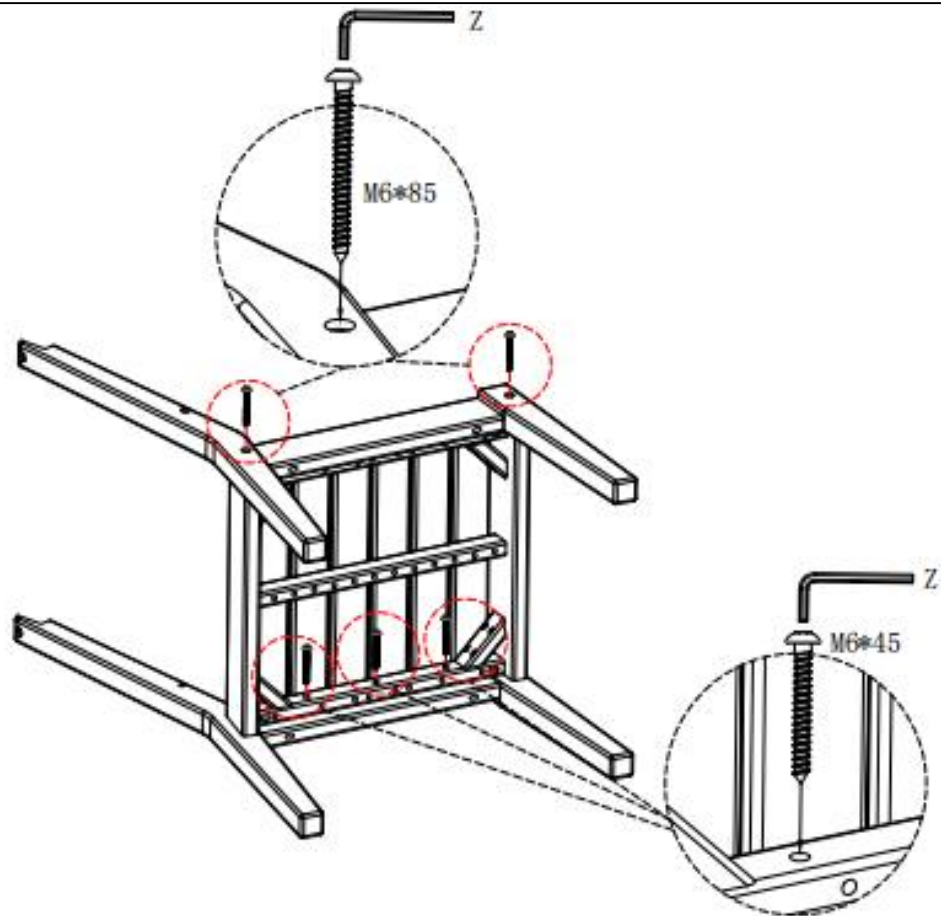
# Assembly Instruction

## Eastlake Outdoor Dining Side Chair

### FITTINGS IDENTIFICATION

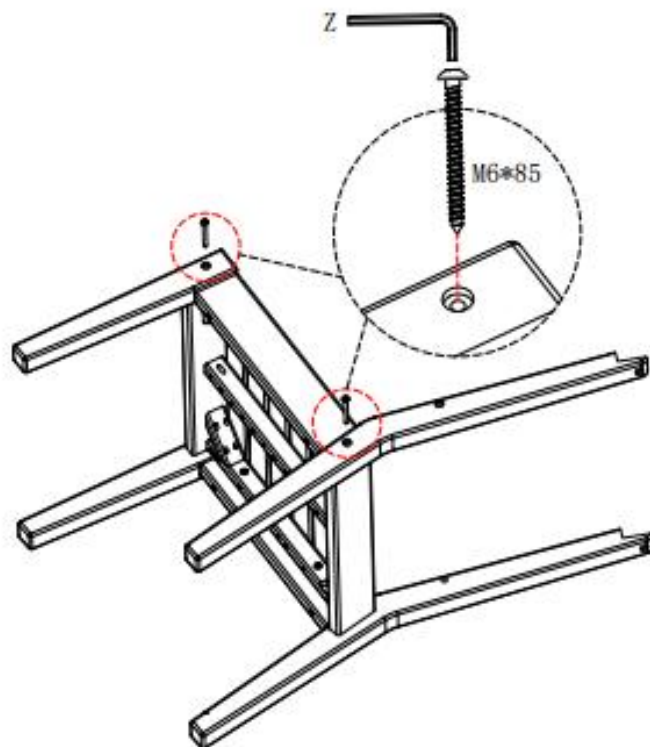
Part #	M685	M665	M645	M630	Z
Description:	Screw M6*85	Screw M6*65	Screw M6*45	Screw M6*30	Allen Wrench
Figure:	 M6*85	 M6*65	 M6*45	 M6*30	
Qty:	4PCS	2PCS	6PCS	2PCS	1PCS



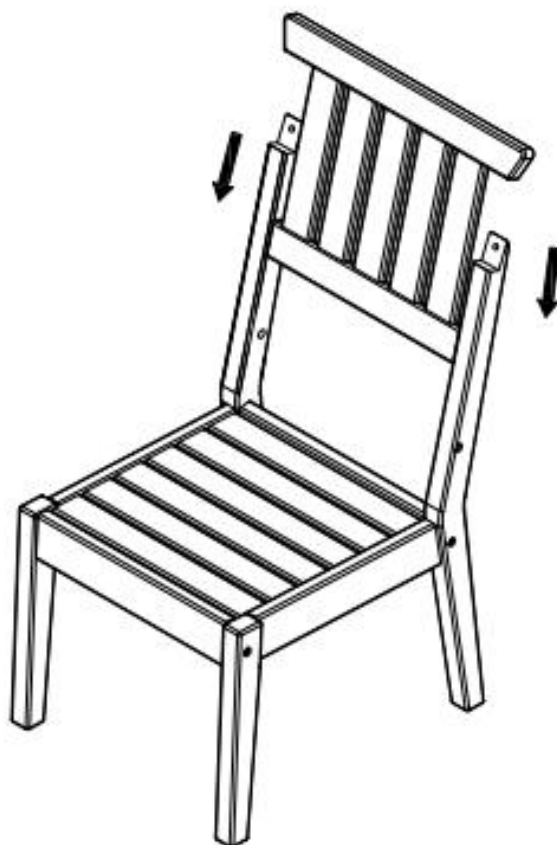
**Eastlake Outdoor Dining Side Chair****STEP 1****STEP 2**

## Eastlake Outdoor Dining Side Chair

## STEP 3



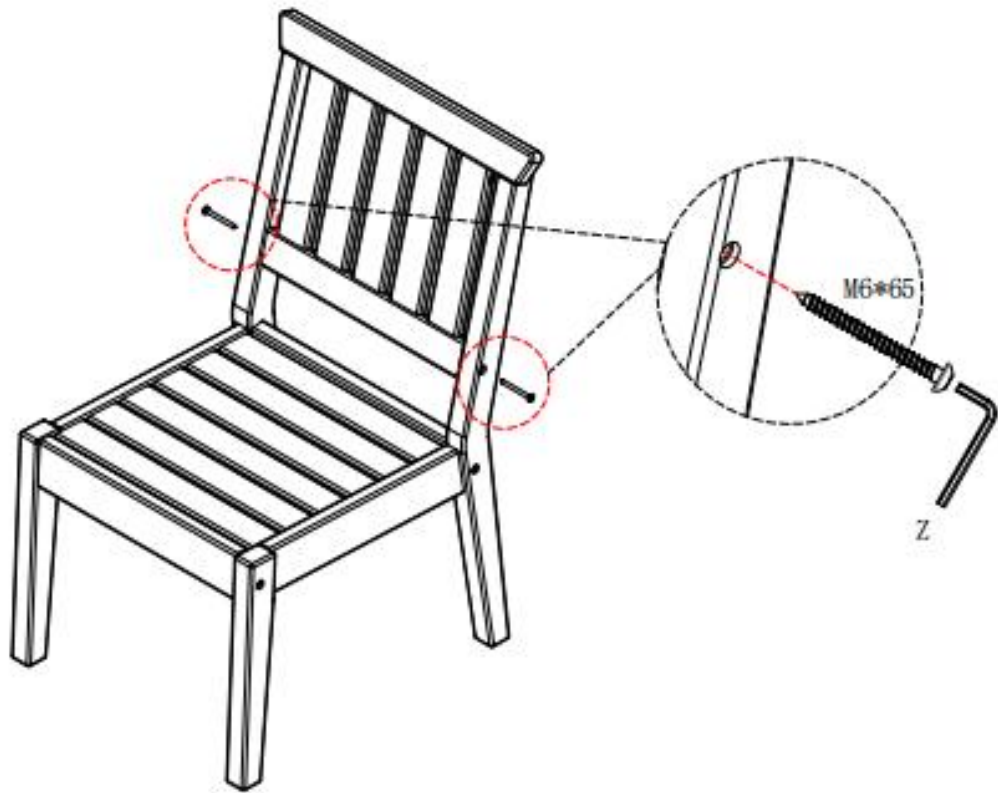
## STEP 4



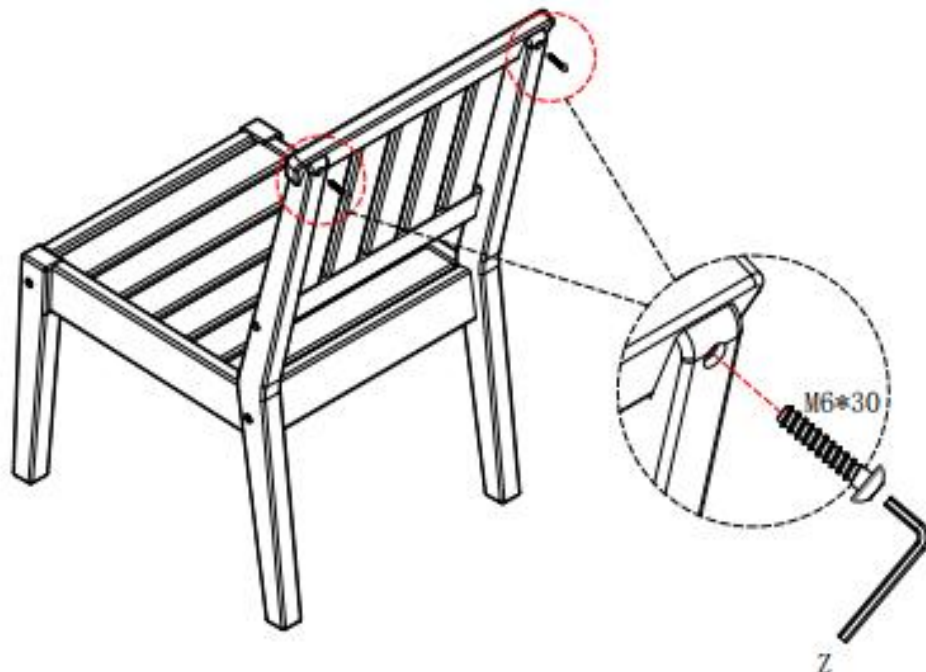
# Assembly Instruction

## Eastlake Outdoor Dining Side Chair

### STEP 5



### STEP 6



# Assembly Instruction

---

## Eastlake Outdoor Dining Side Chair



### Steps:

1. Attach the left side Frame ( Part C2) to the Seat Panel (Part B) with Screw M6\*45 (Part M645) by using Allen Wrench (Part Z).
2. Attach the Right side Frame ( Part C1) to the Seat Panel (Part A) with Screw M6\*45 (Part M645) by using Allen Wrench (Part Z).Then Fasten the Left side Frame on both side holes with M6\*85 (Part M685) by using Allen Wrench (Part Z)
3. Fasten the Right side Frame on both side holes with M6\*85 (Part M685) by using Allen Wrench (Part Z)
4. Insert the Back Panel(Part A) between Right Side Frame ( Part C1) and the Left side Frame ( Part C2)
5. Fasten the Back panel bottom both side holes with Screws M6\*65 (Part M665) by using Allen Wrench (Part Z).
6. Fasten the Back Panel top both side holes with Screws M6\*30(Part M630) by using Allen Wrench (Part Z)

Tighten all screws. Your chair is ready to use. (Note: Pre-assemble all the bolts loosely but do not fully turn the bolts into their holes until all bolts are inserted in their holes.)

Periodically check and make sure that all screws are fully tightened.