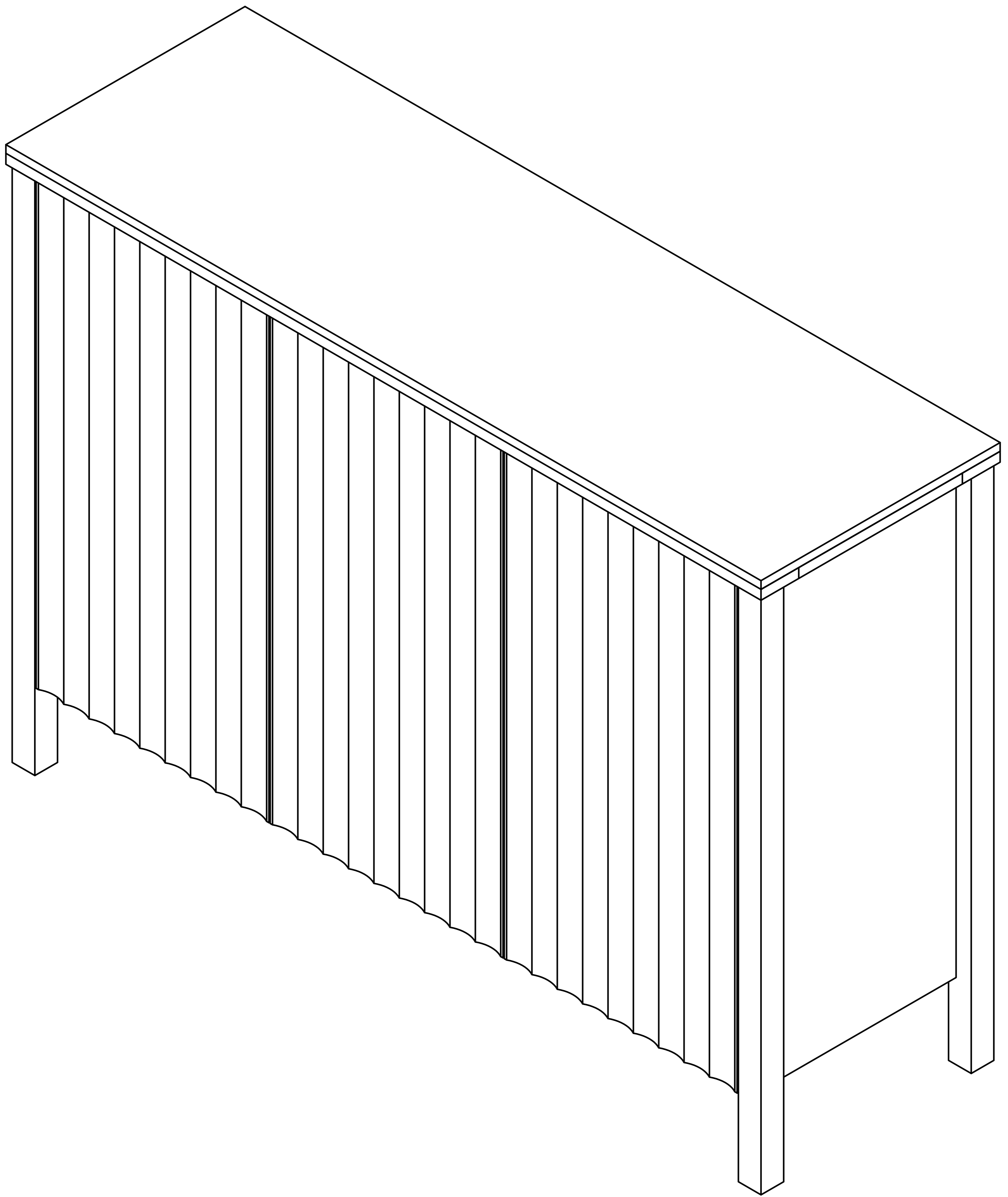
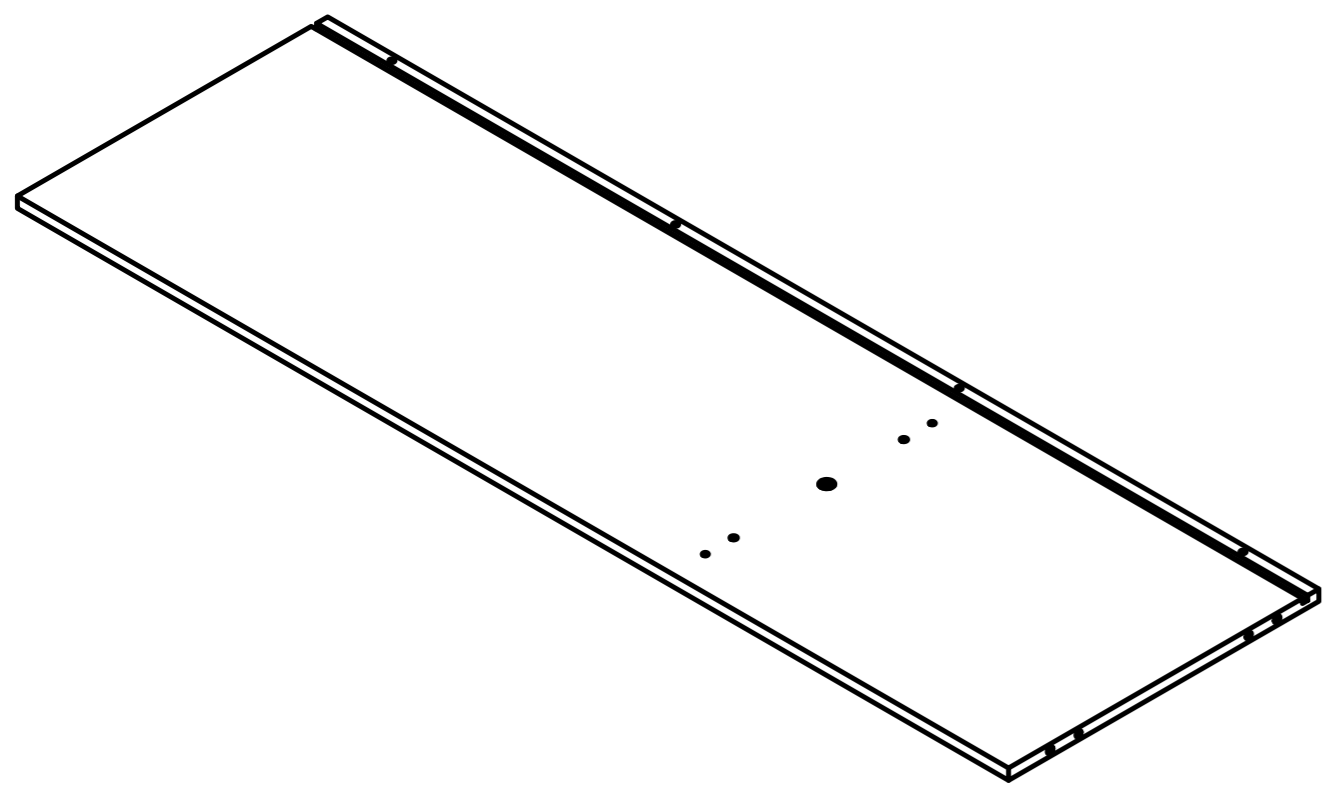
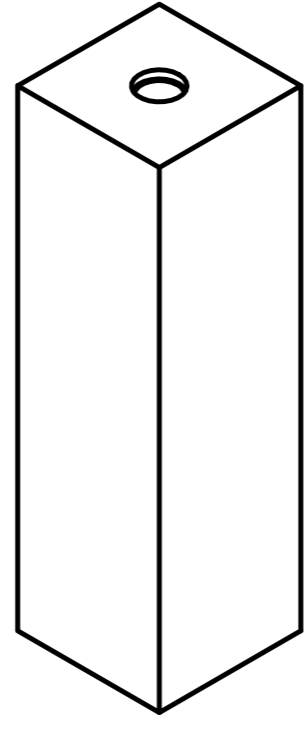


Product Installation Instructions

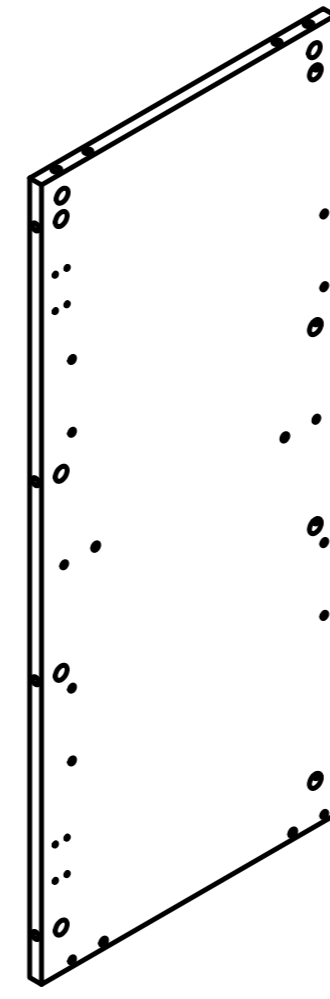




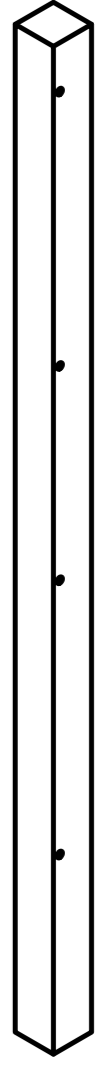
Ax1



Bx1



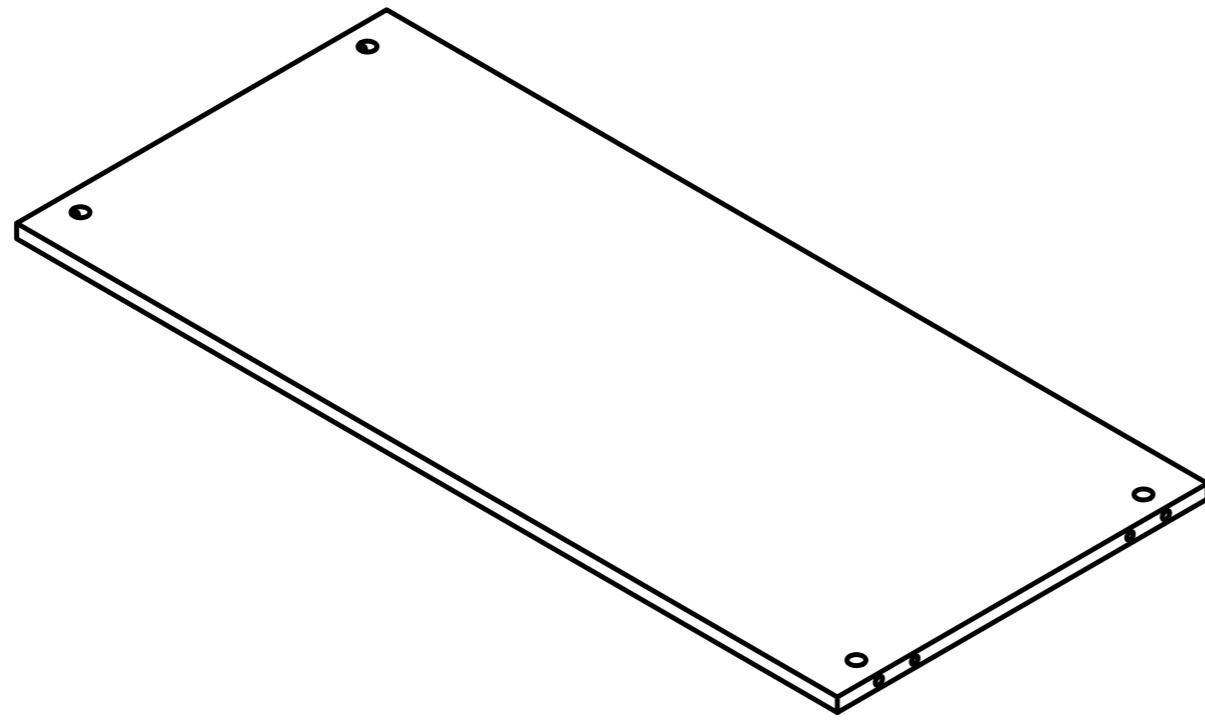
Cx1



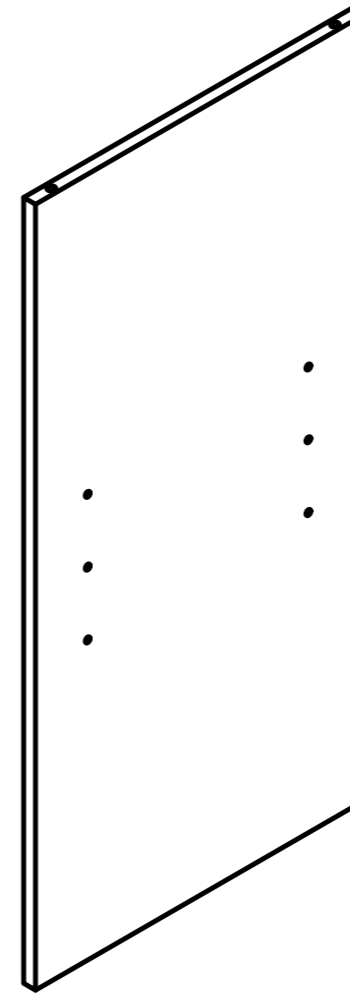
Dx1



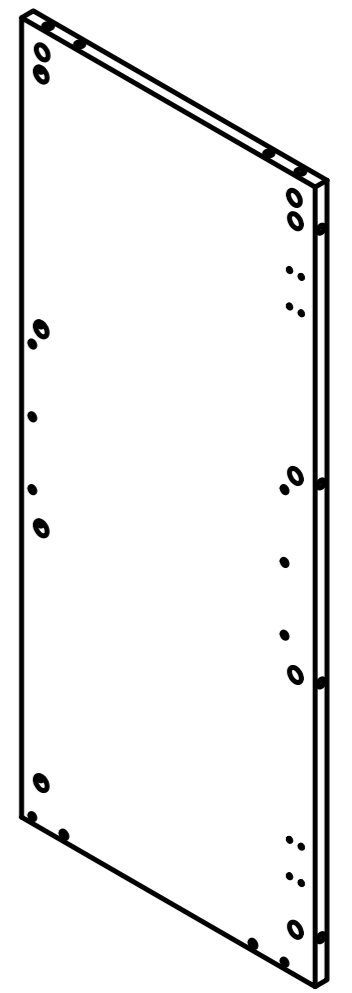
Ex1



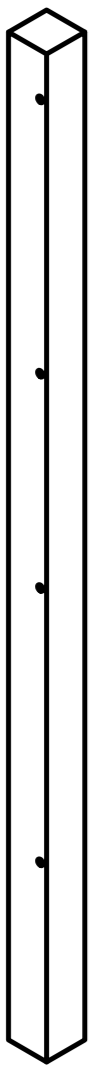
Fx1



Gx1



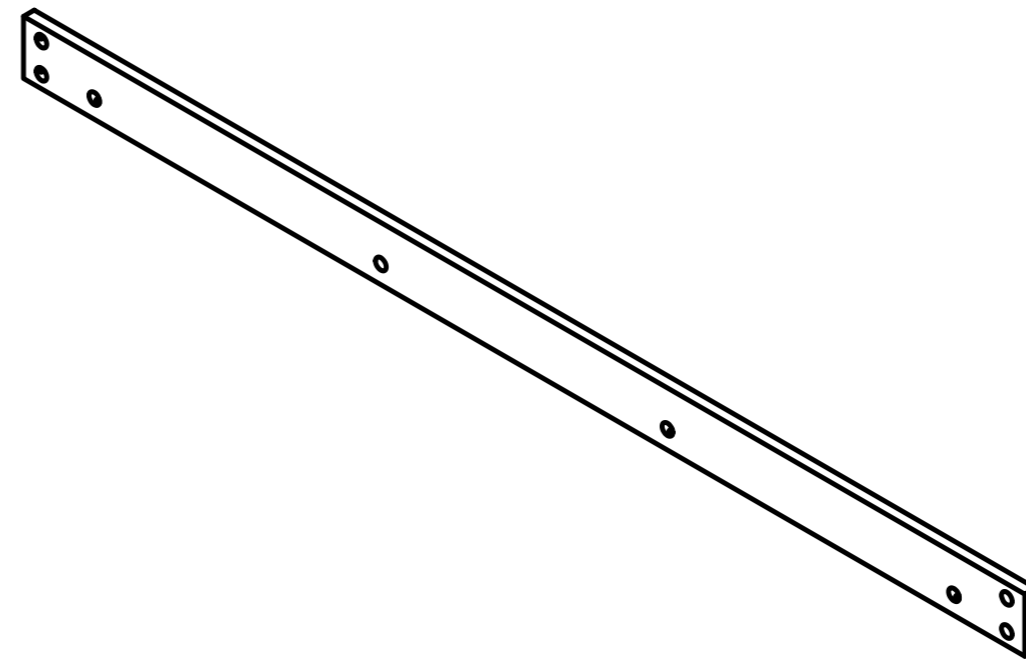
Hx1



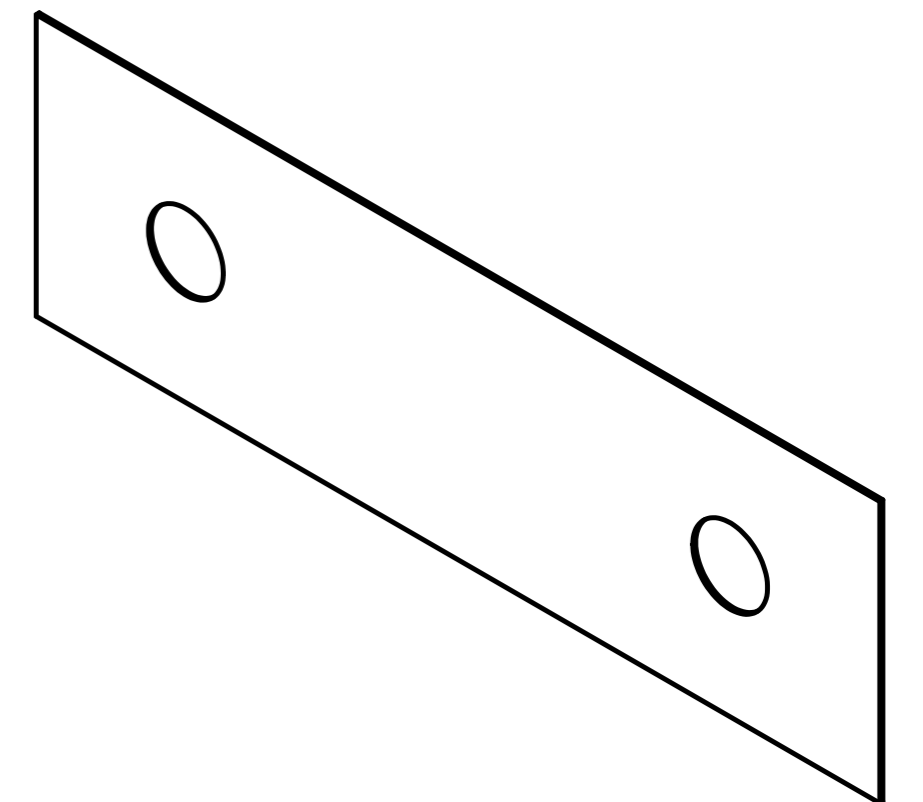
Ix1



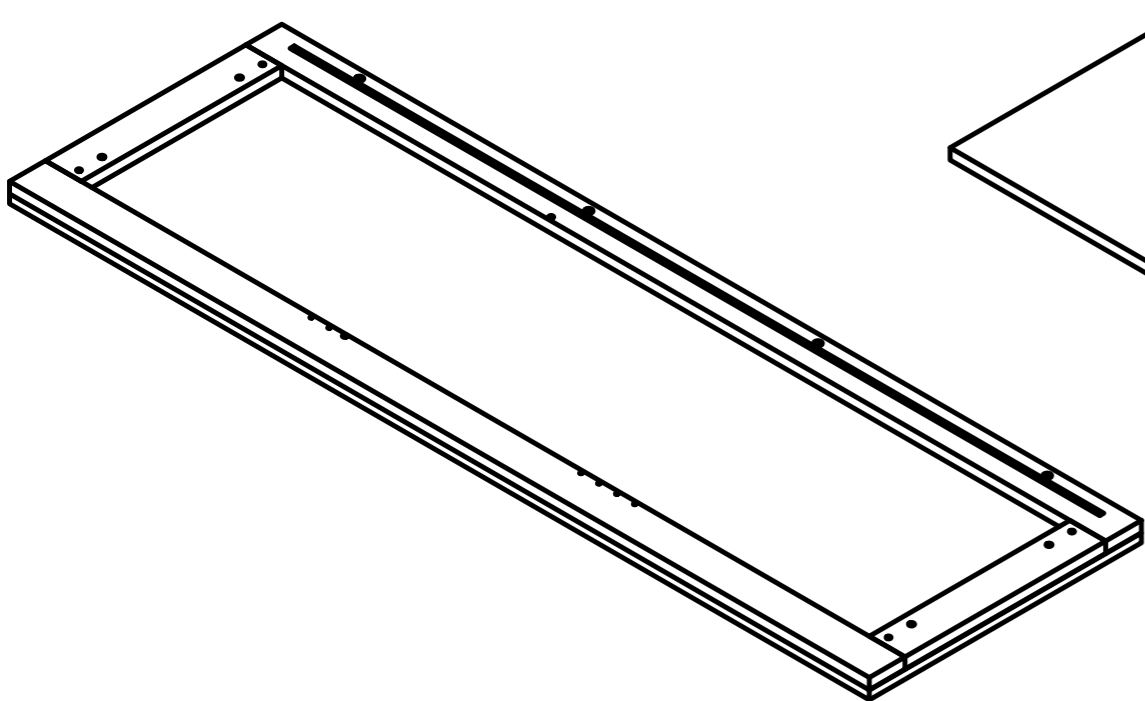
Jx1



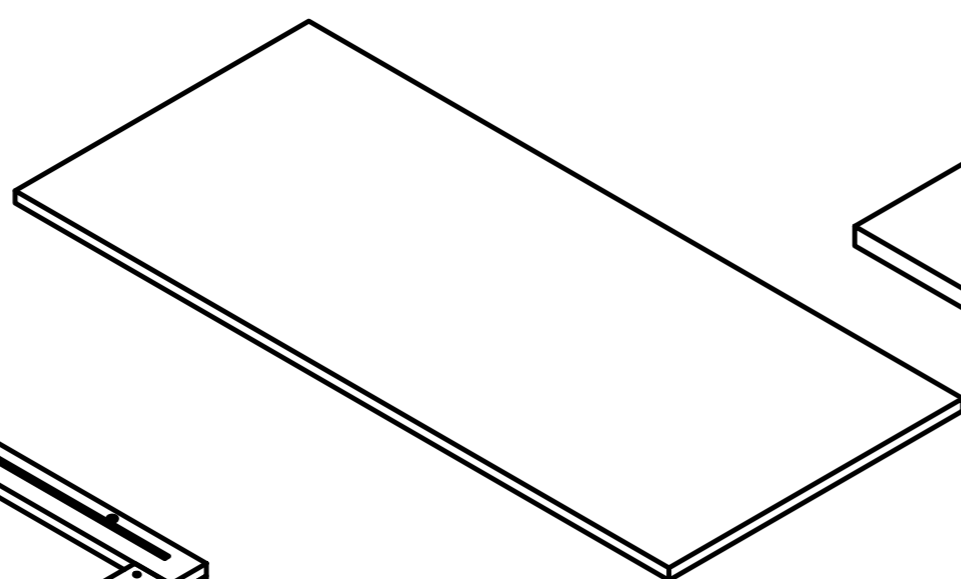
Kx2



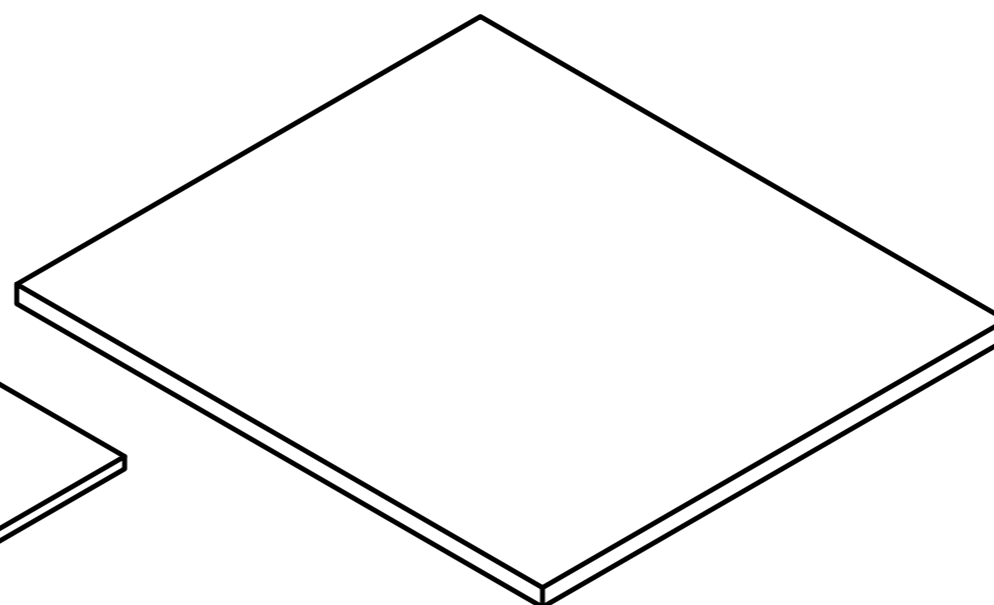
Lx2



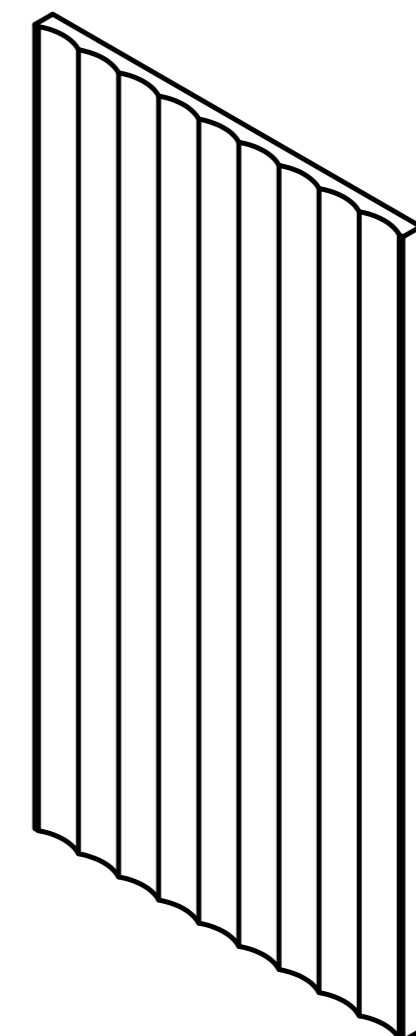
Mx1



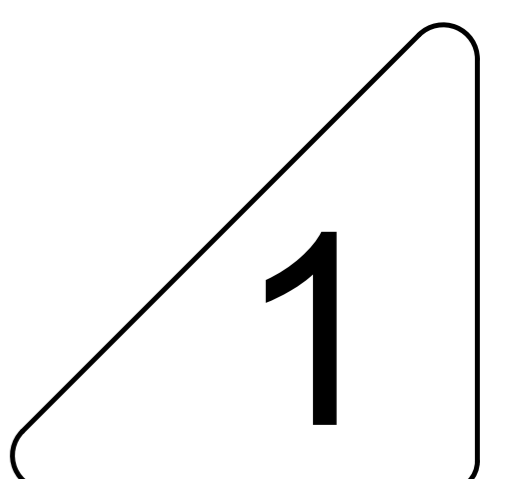
Nx2



Ox1

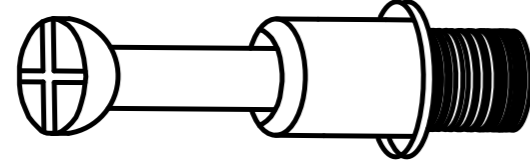
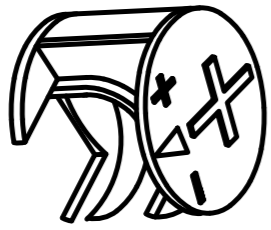
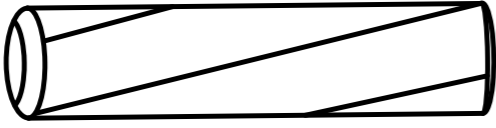


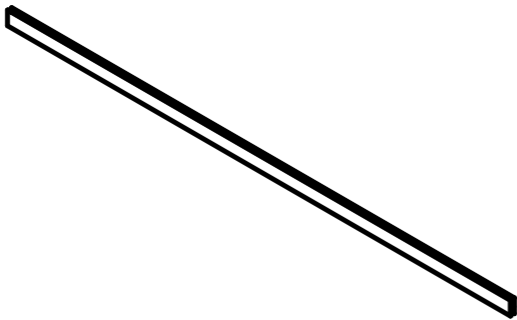
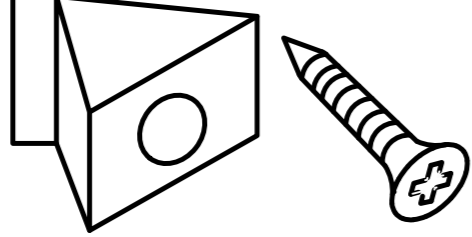
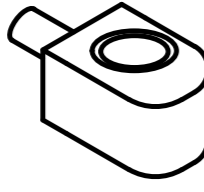
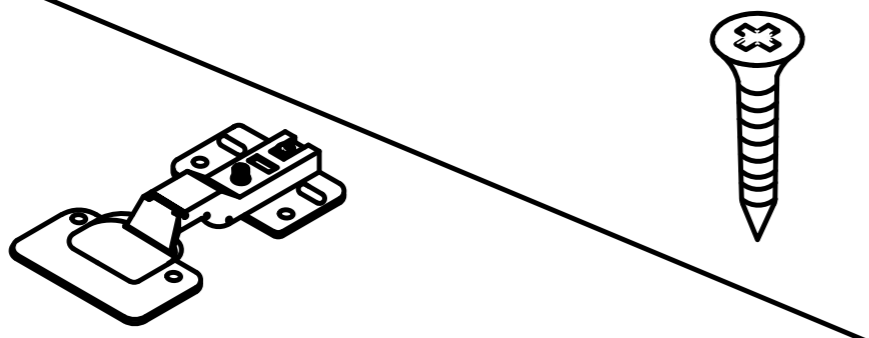
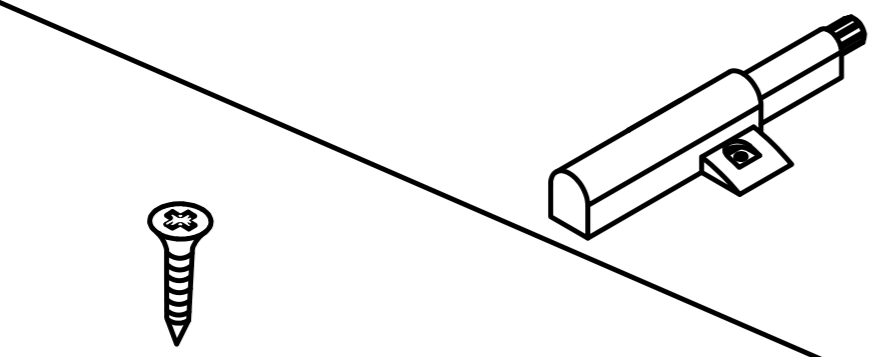
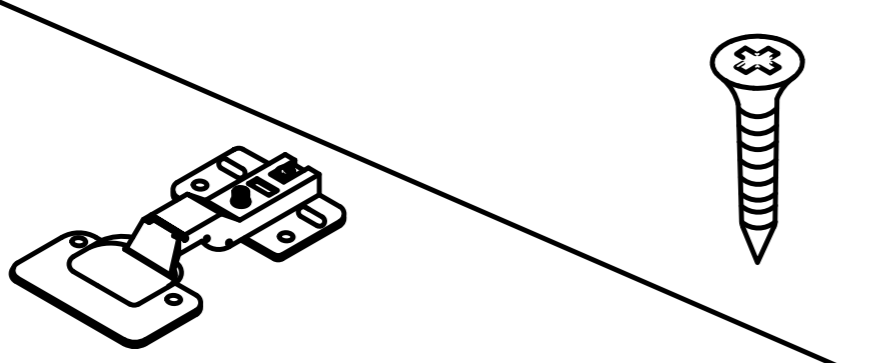


Px3

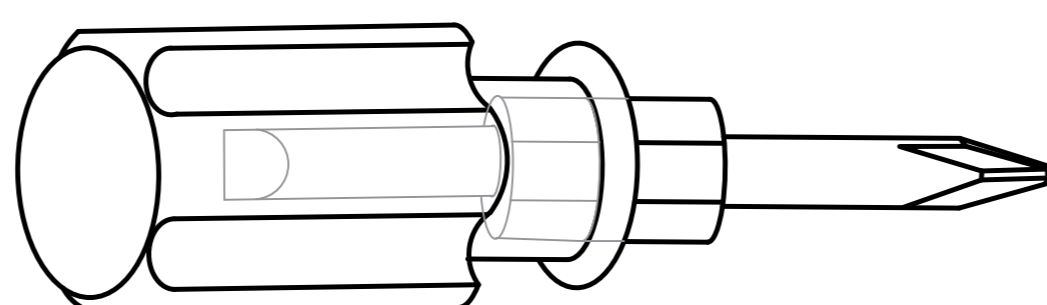


1

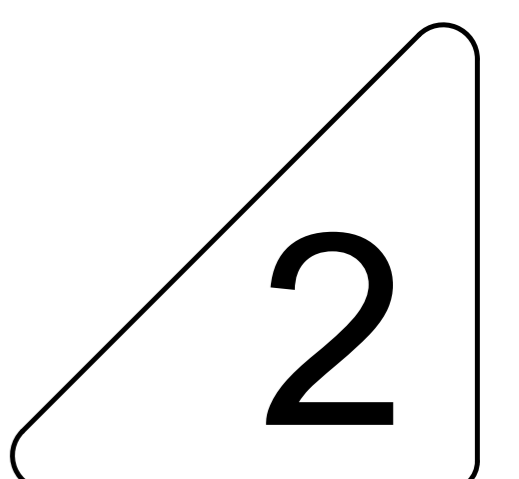
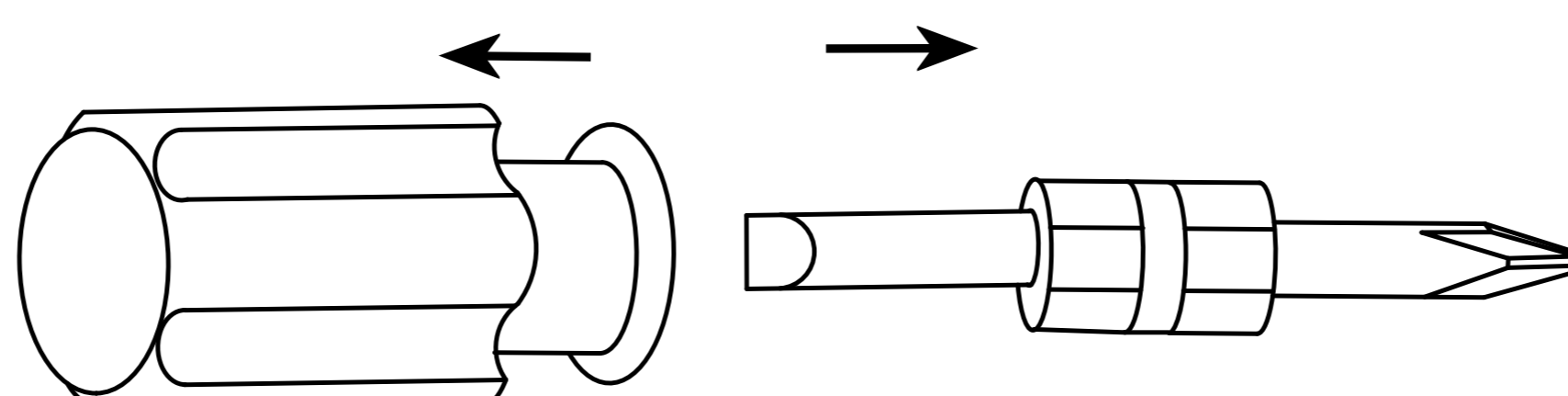
Accessories list

①		Two in one screw (6x28mm)	48pcs +4pcs
②		Two in one nut (10x12mm)	48pcs +4pcs
③		Wood chipping (6x30mm)	14pcs +2pcs
④		Screw (6x33mm)	1pcs
⑤		Non-slip pads (35x35)	5pcs +1pcs
⑥		Backboard card strip (1116mm)	1pcs
⑦		Fixing clip & screw (3x16mm)	8pcs +2pcs
⑧		Laminate Support Nail	12pcs +1pcs
⑨		Hinge & Screw (3.5x12mm)	24pcs +2pcs 4pcs
⑩		Cabinet door rebound device Screw (3.5x12mm)	3pcs 6pcs +2pcs
⑪		Hinge & Screw (3.5x12mm)	12pcs +2pcs 2pcs

Double-head screwdriver, use as required

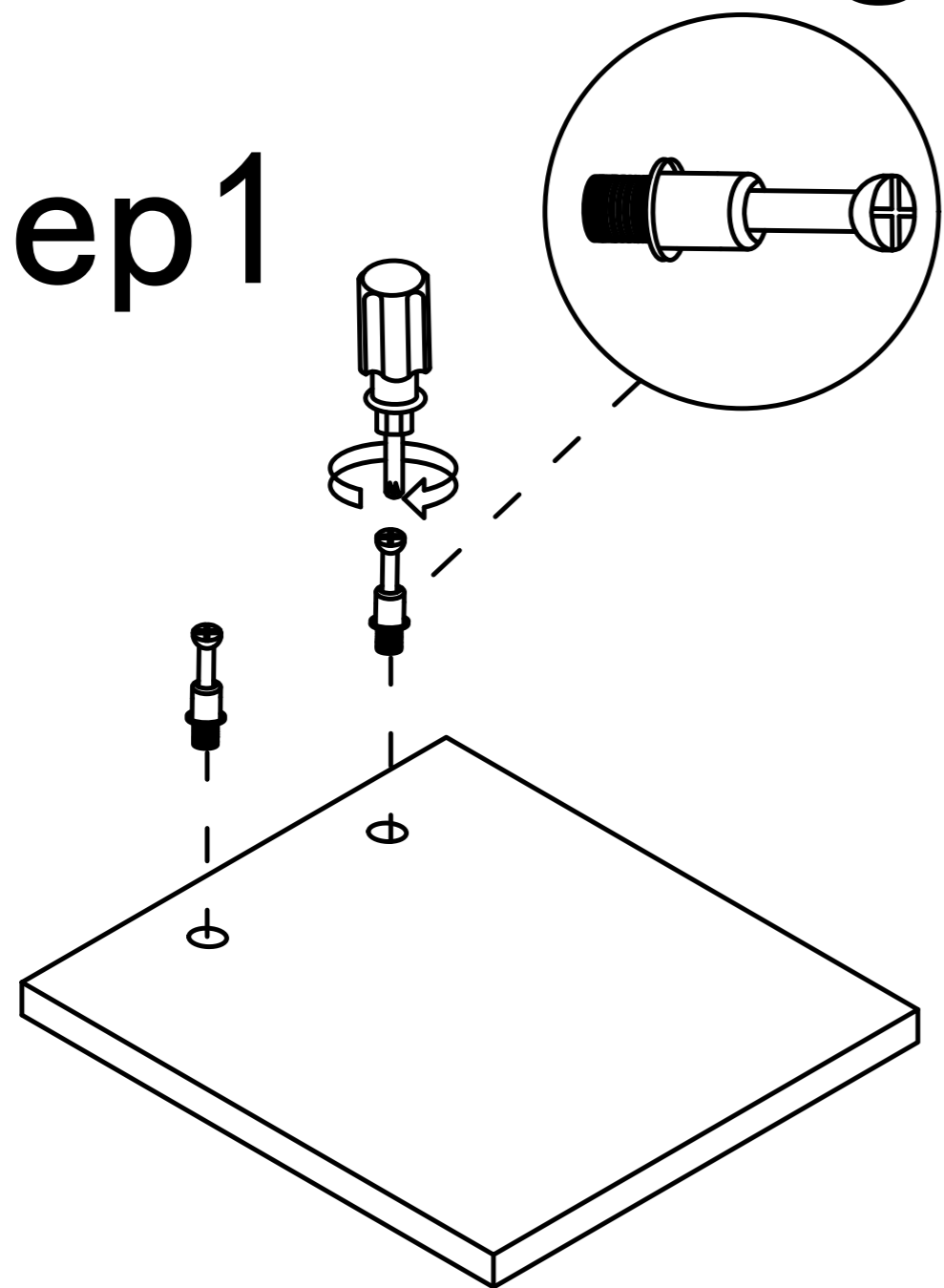


1pcs

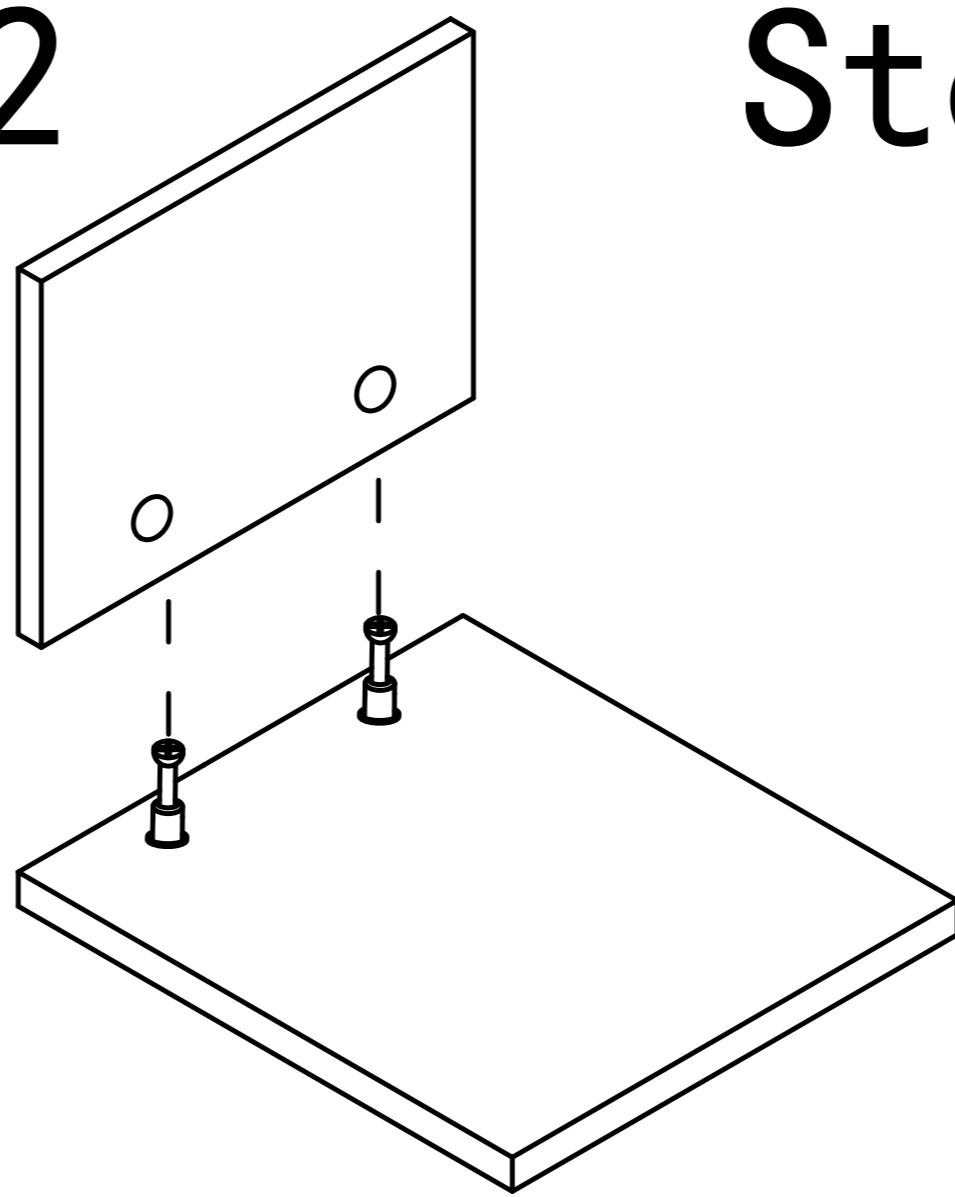


Use parts ① and ②

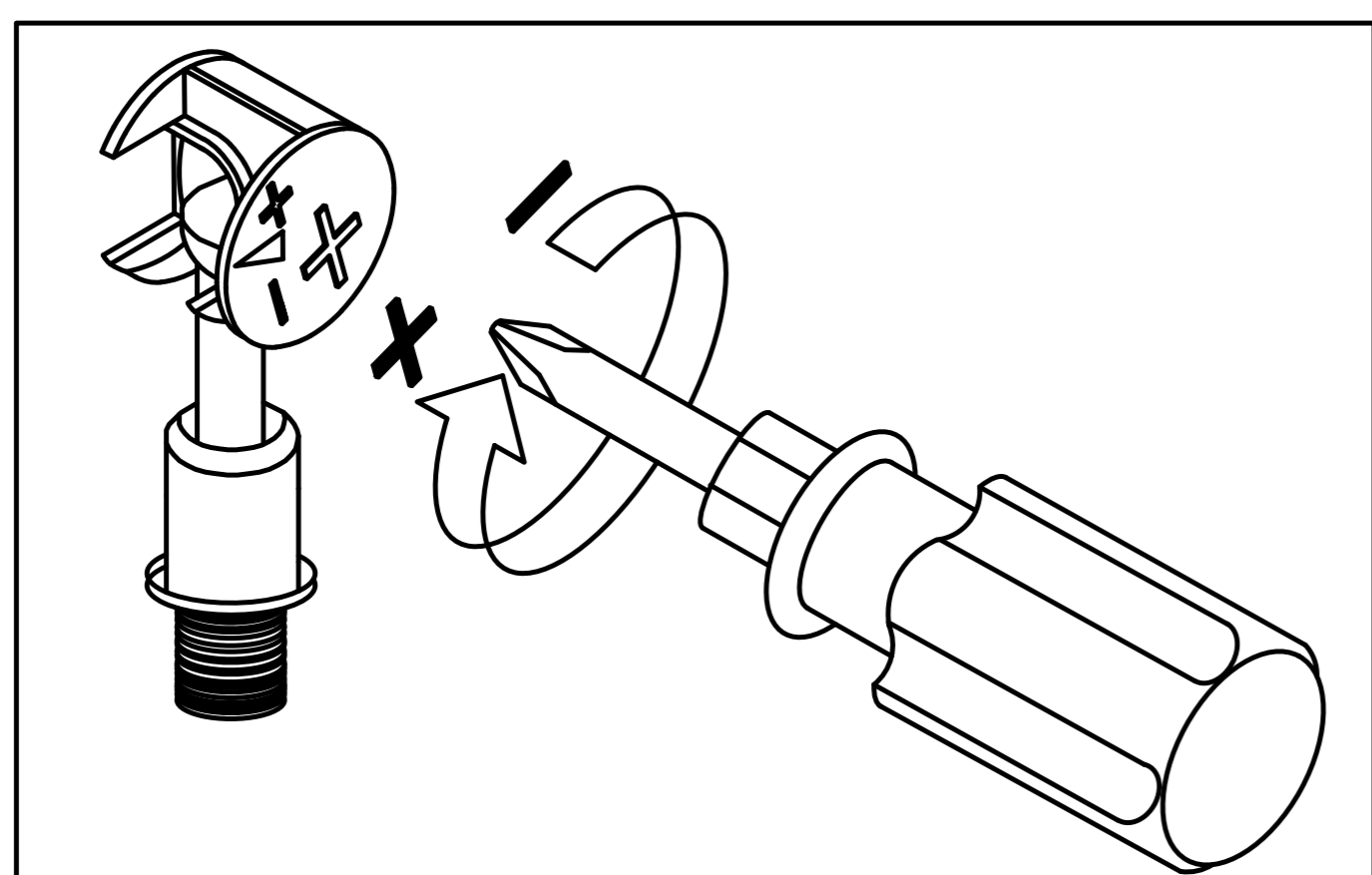
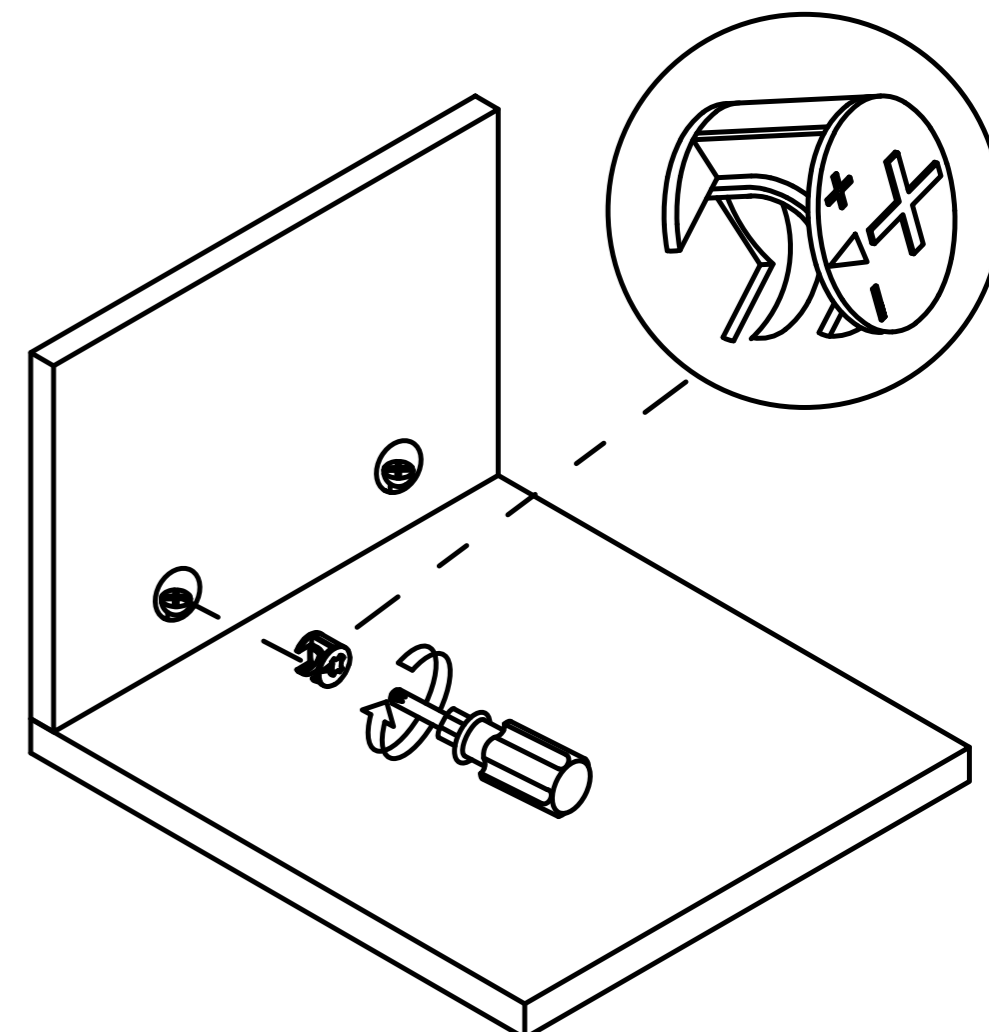
Step 1



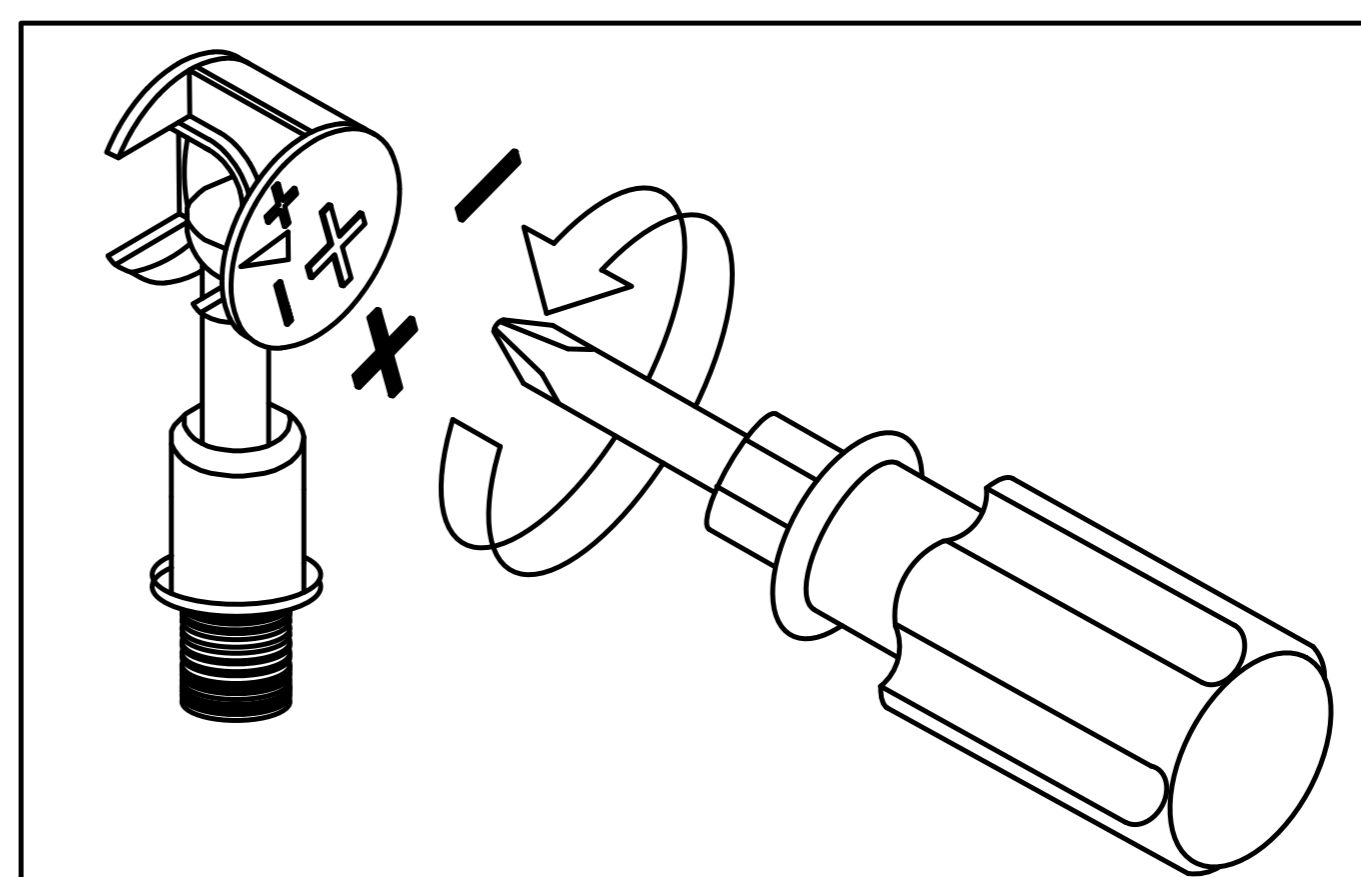
Step 2



Step 3

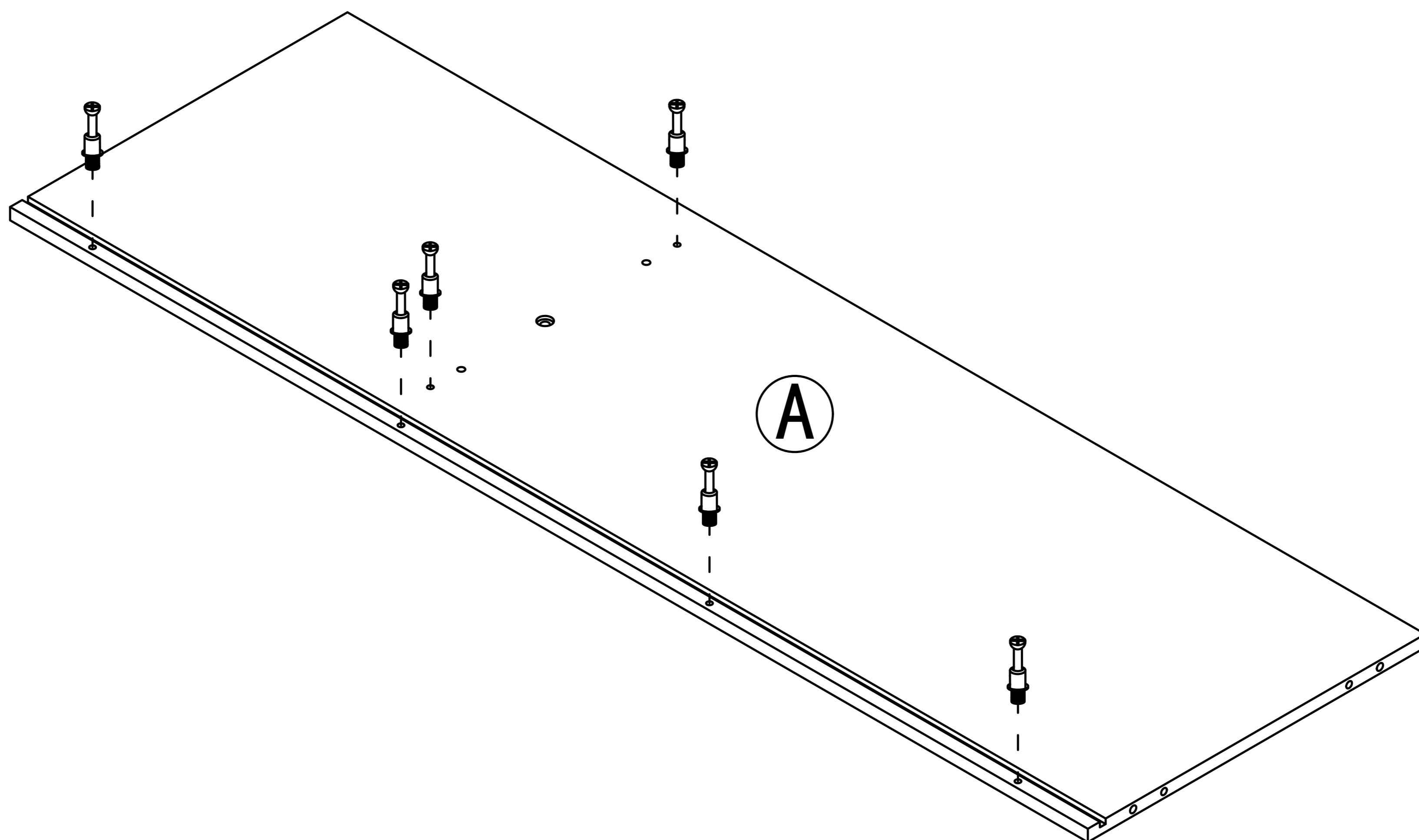
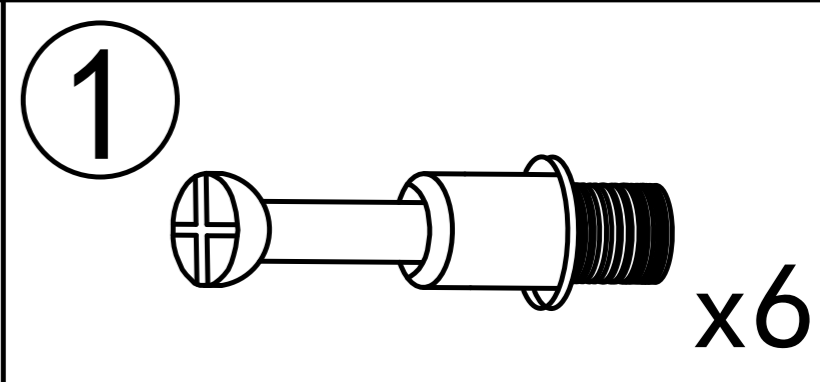


Use a screwdriver to lock in the direction of the "+" sign



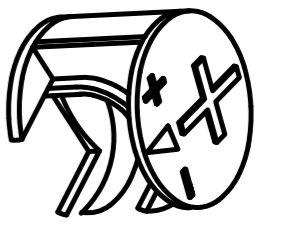
Disassemble along the direction of "-" sign

Step 1

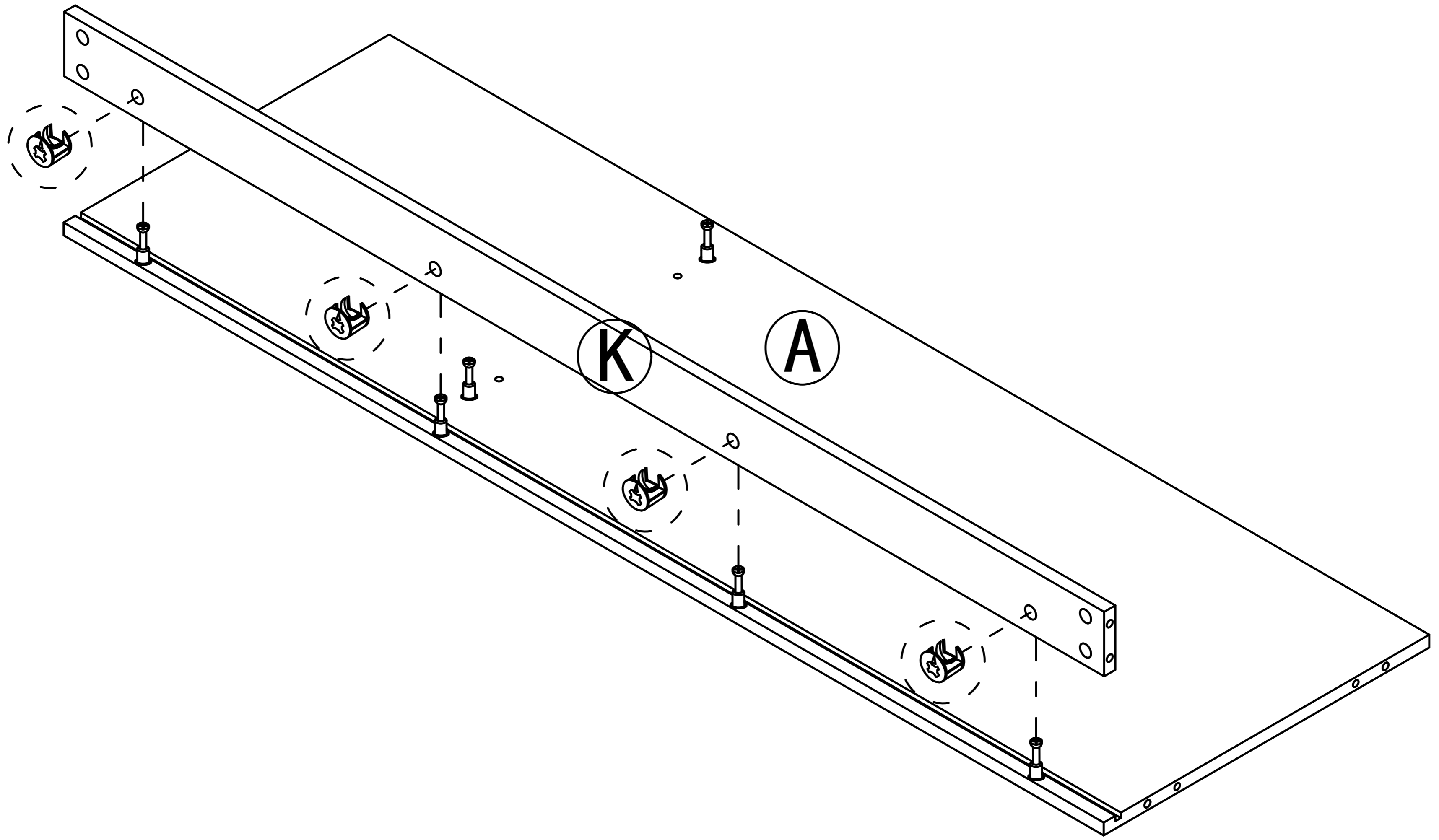


Step 2

2

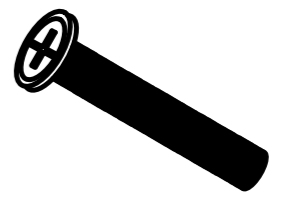


x4

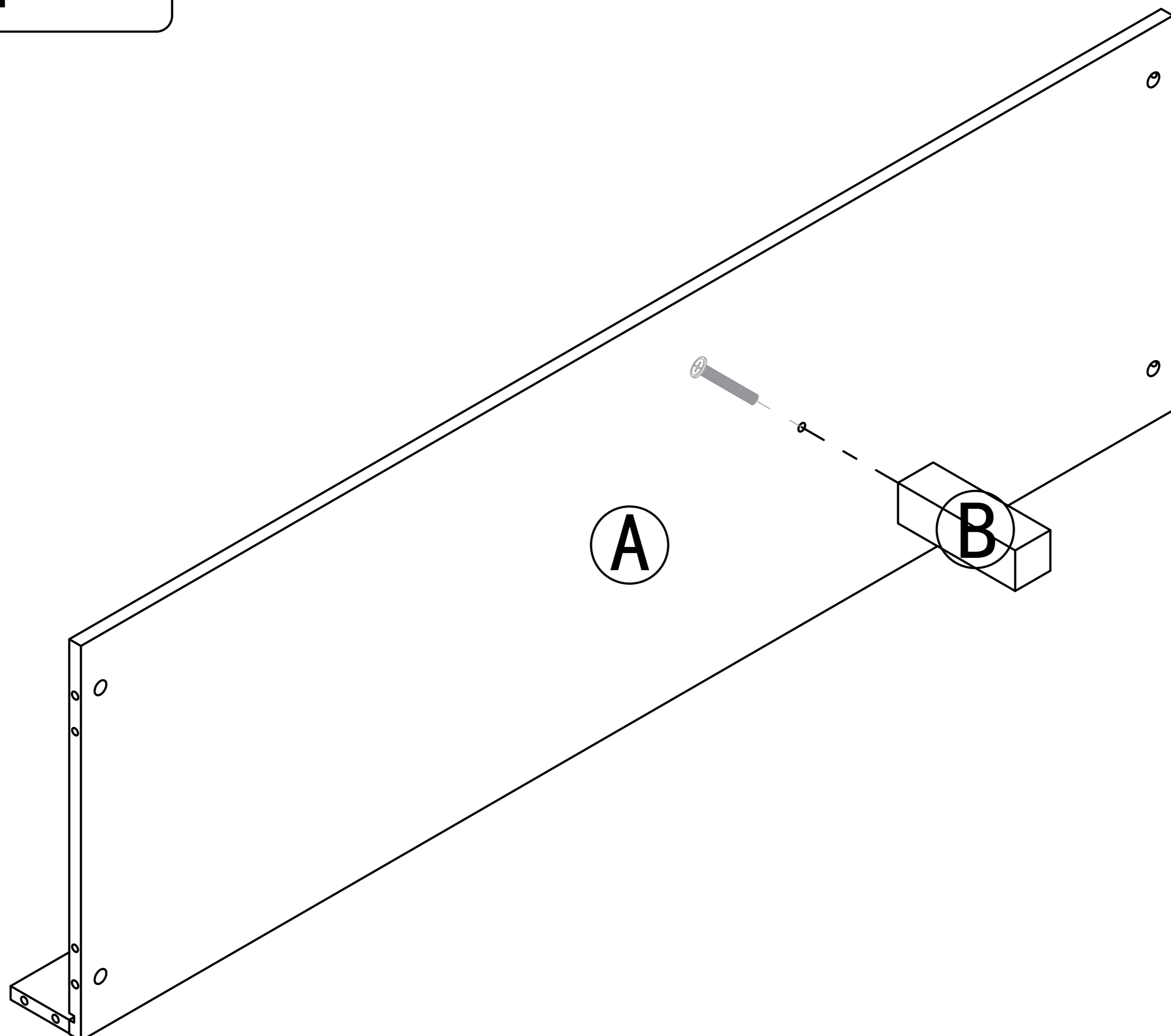


Step 3

4

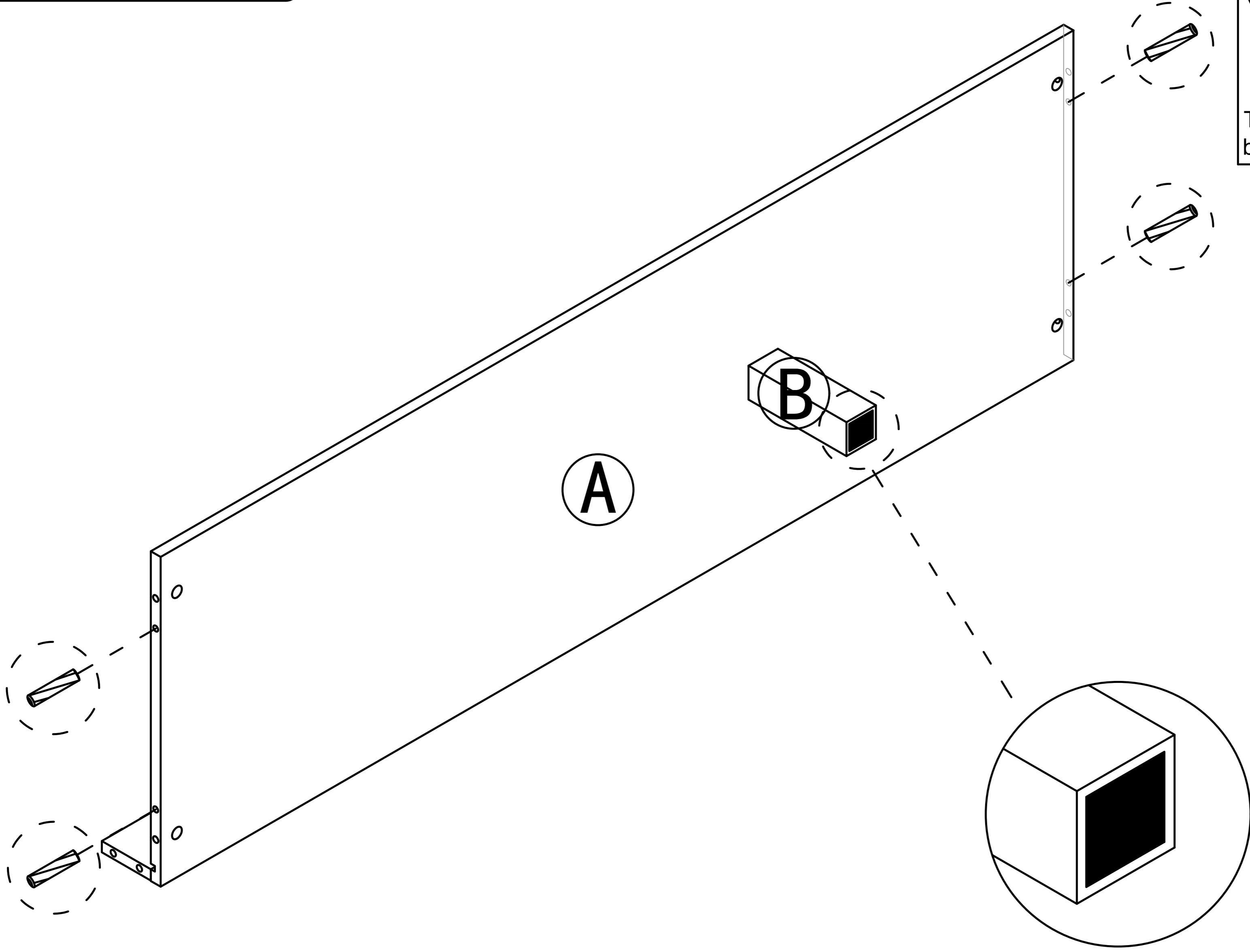



x1

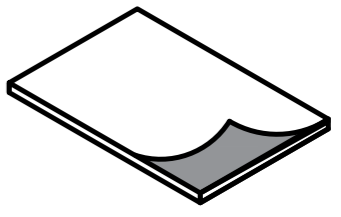


5

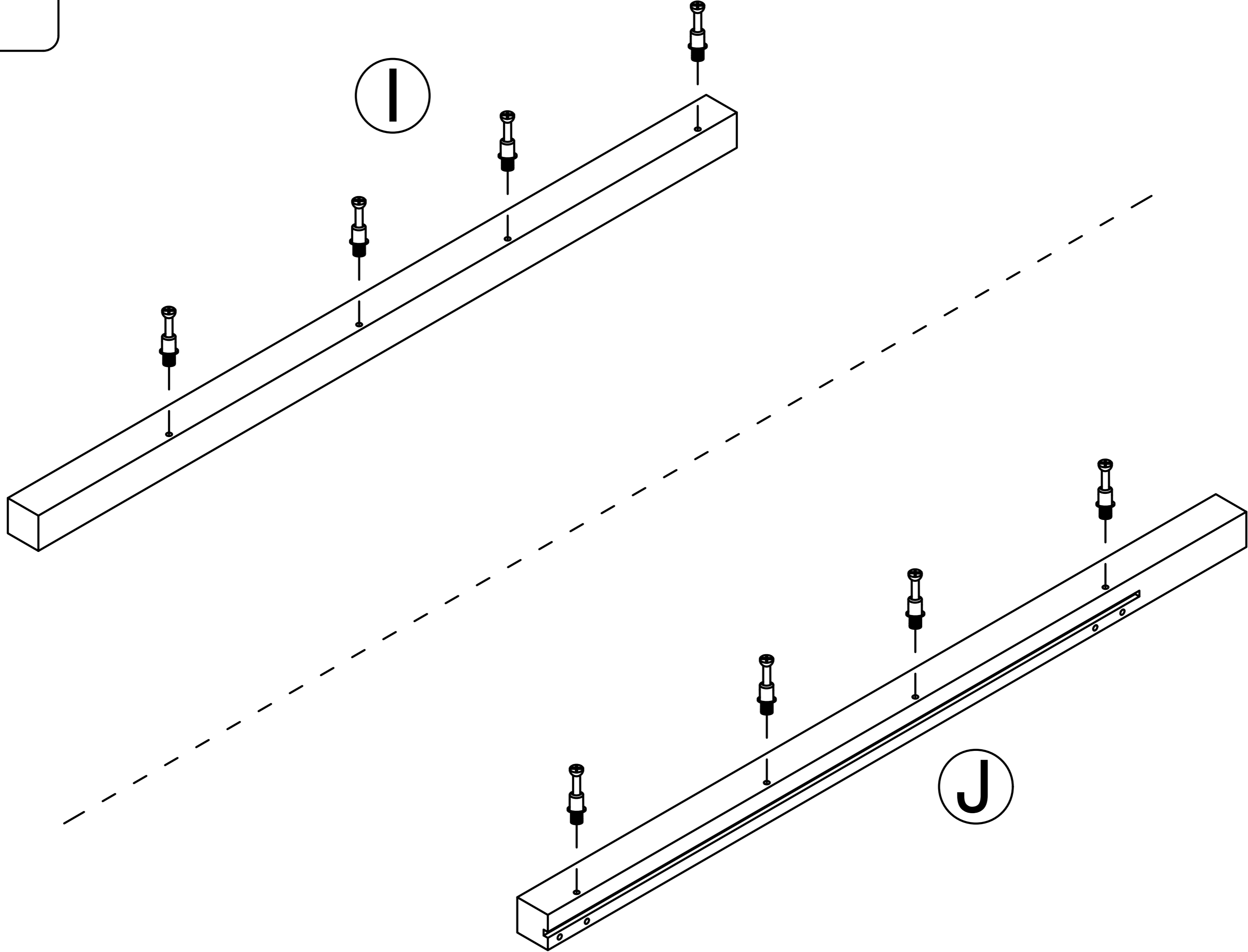
Step 4

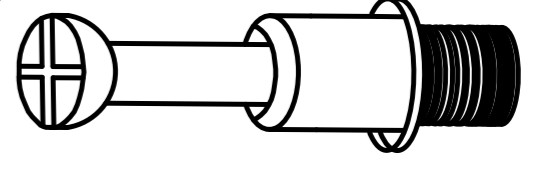


③  x4

⑤  x1
Tear off release paper and stick the black foot pad on the board

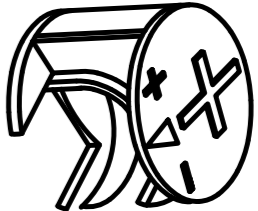
Step 5

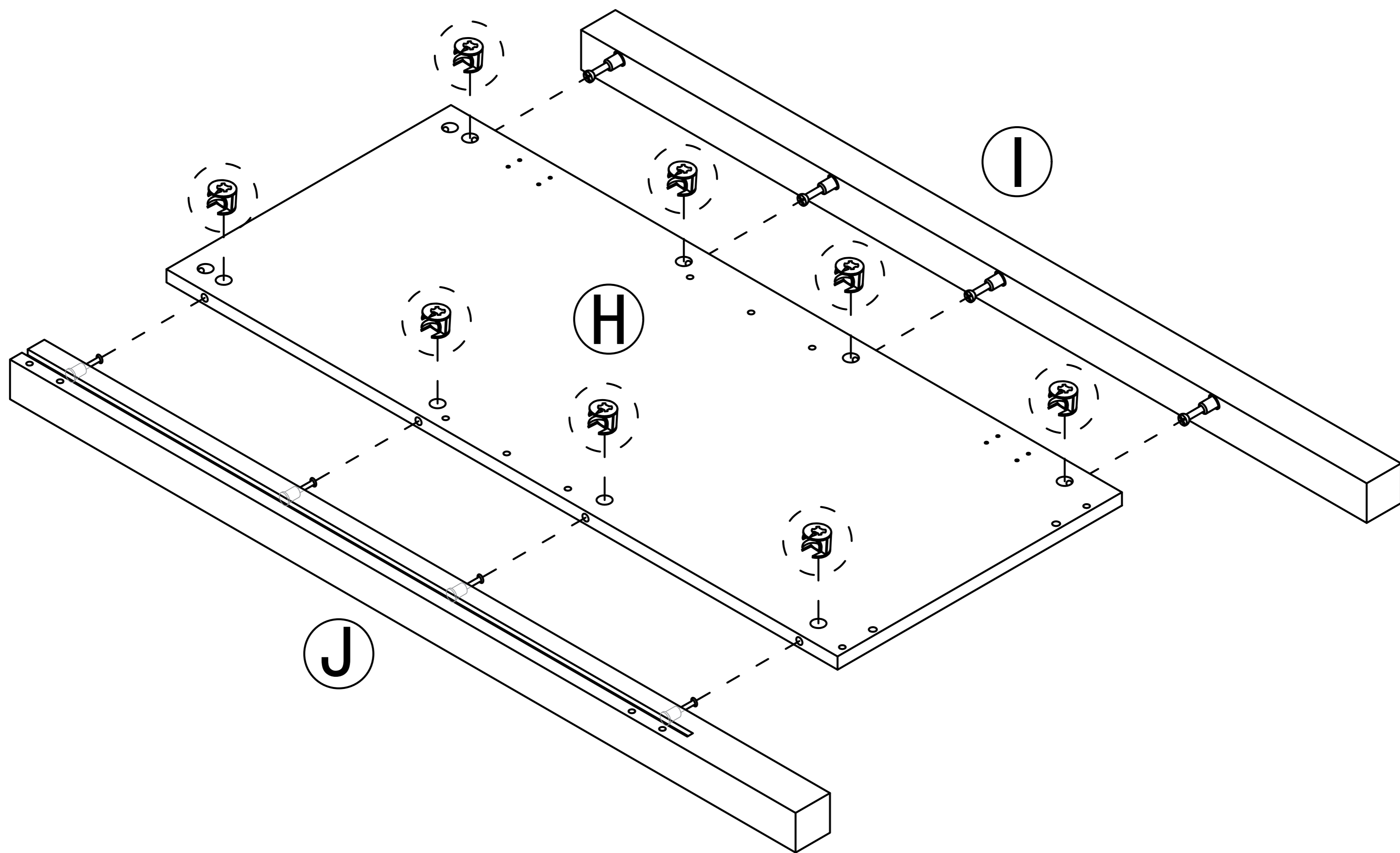


①  x8

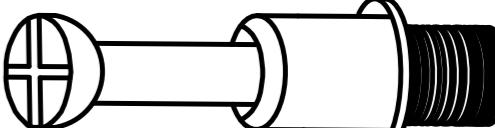
6

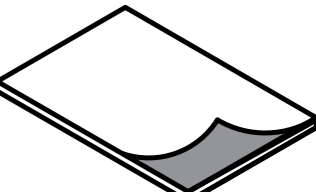
Step 6

②  x8

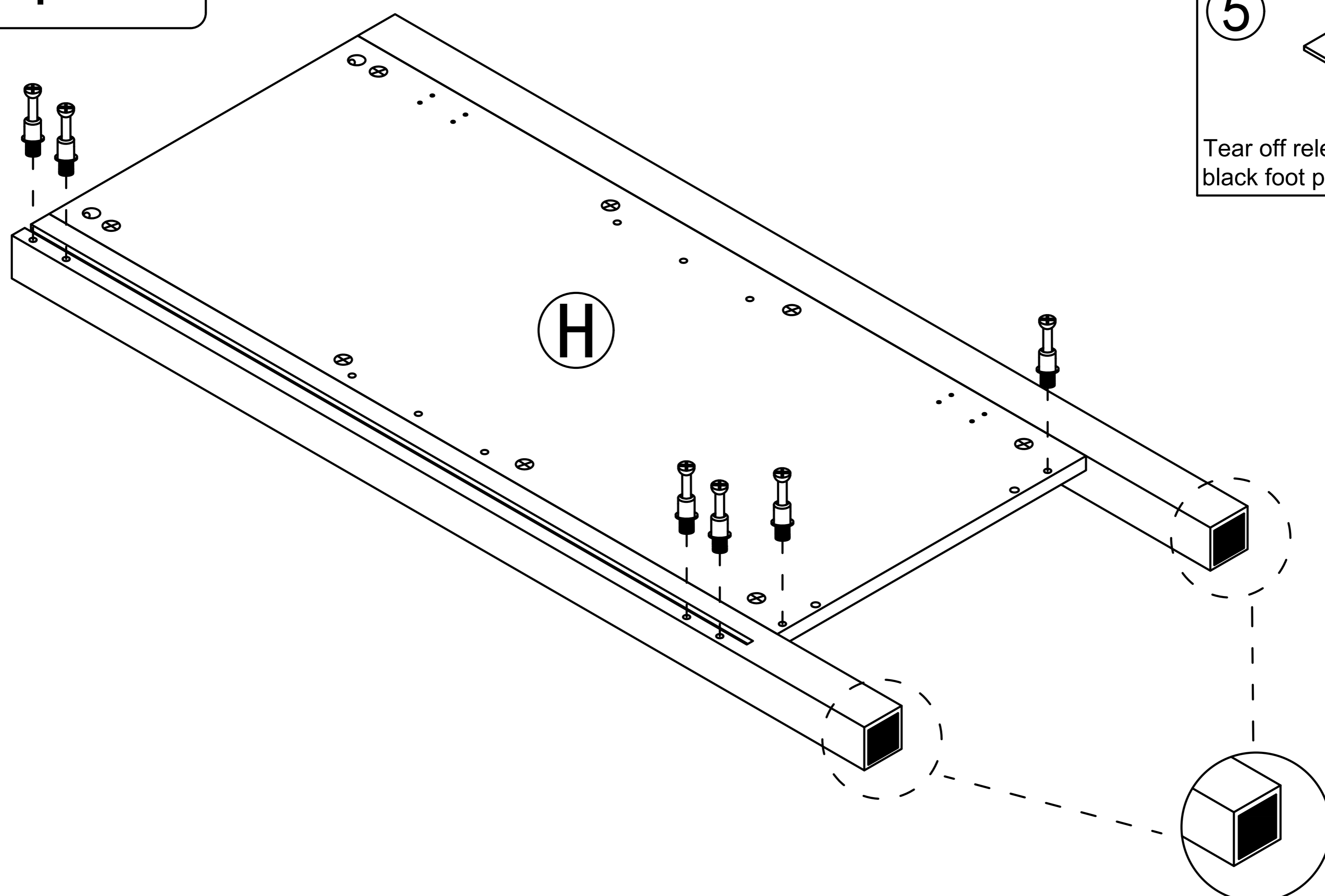


Step 7

①  x6

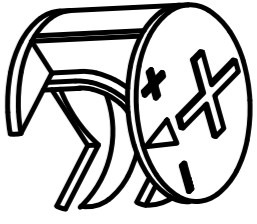
⑤  x2

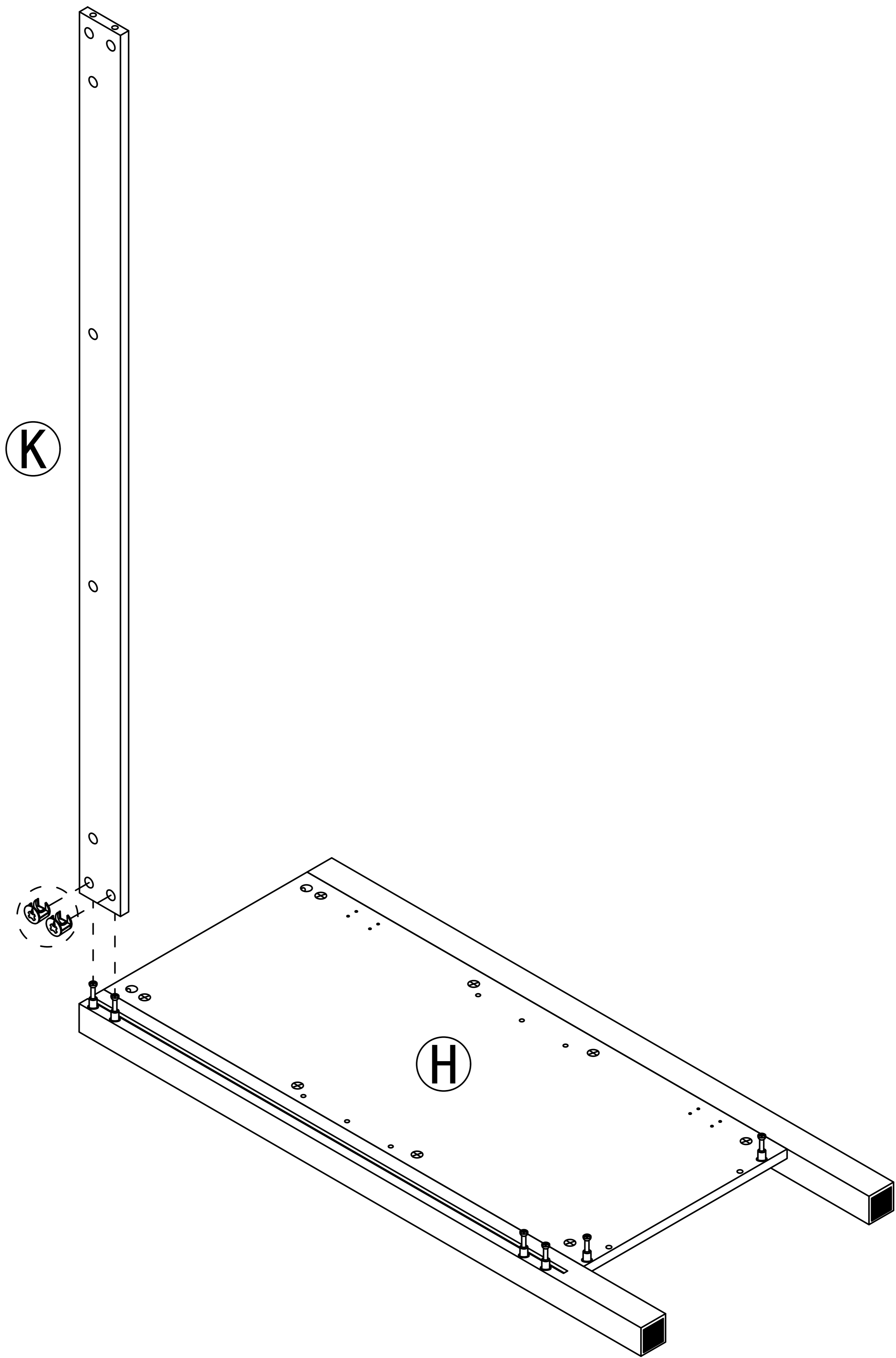
Tear off release paper and stick the black foot pad on the board



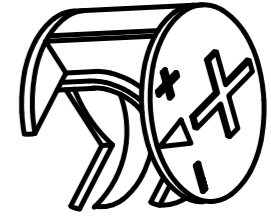
7

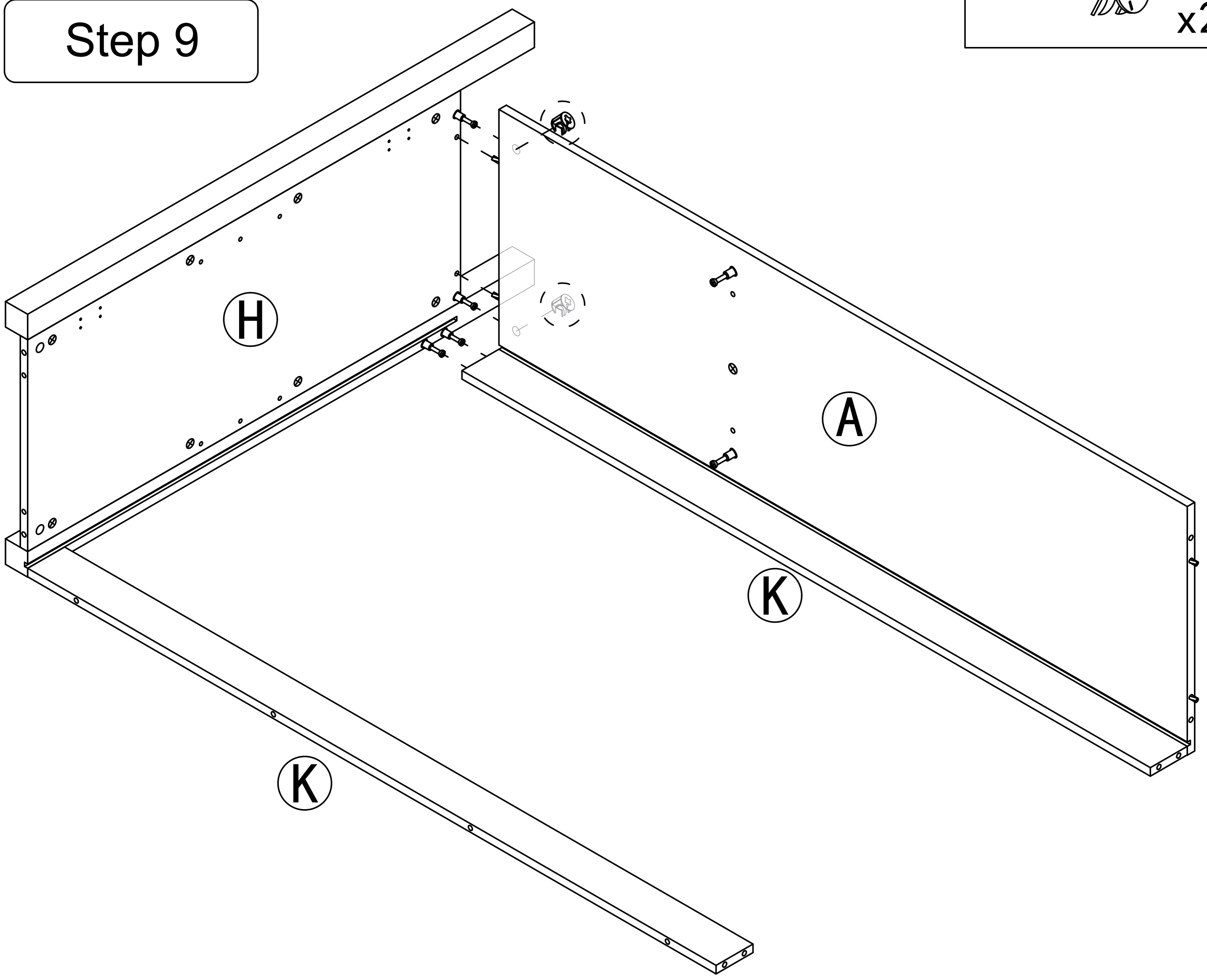
Step 8

2  x2

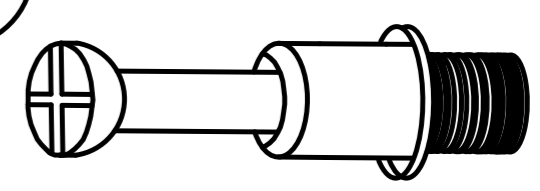


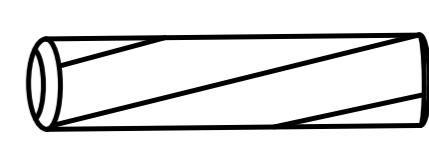
Step 9

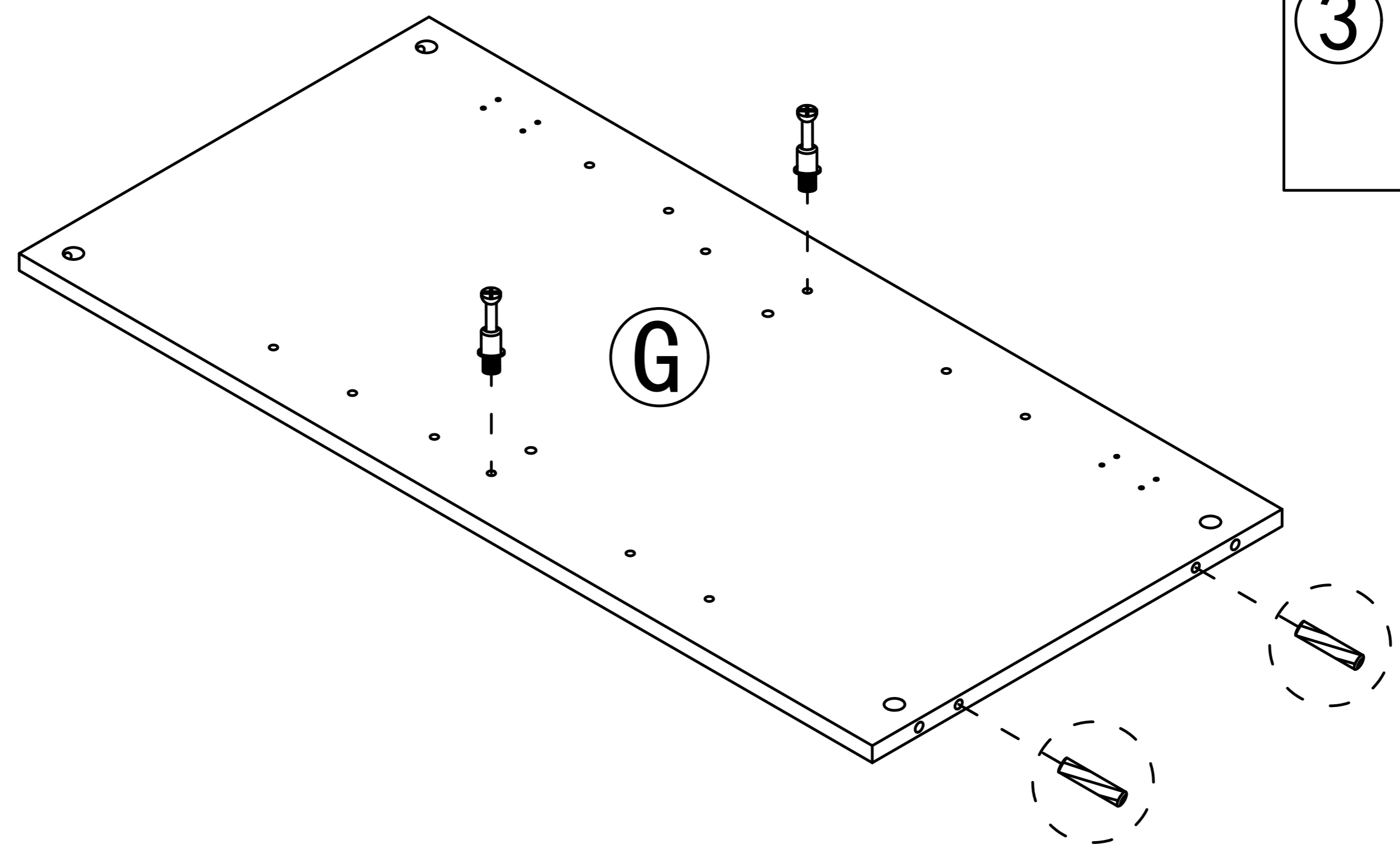
②  x2



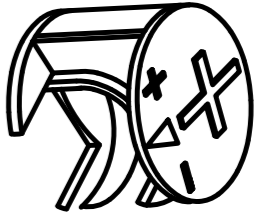
Step 10

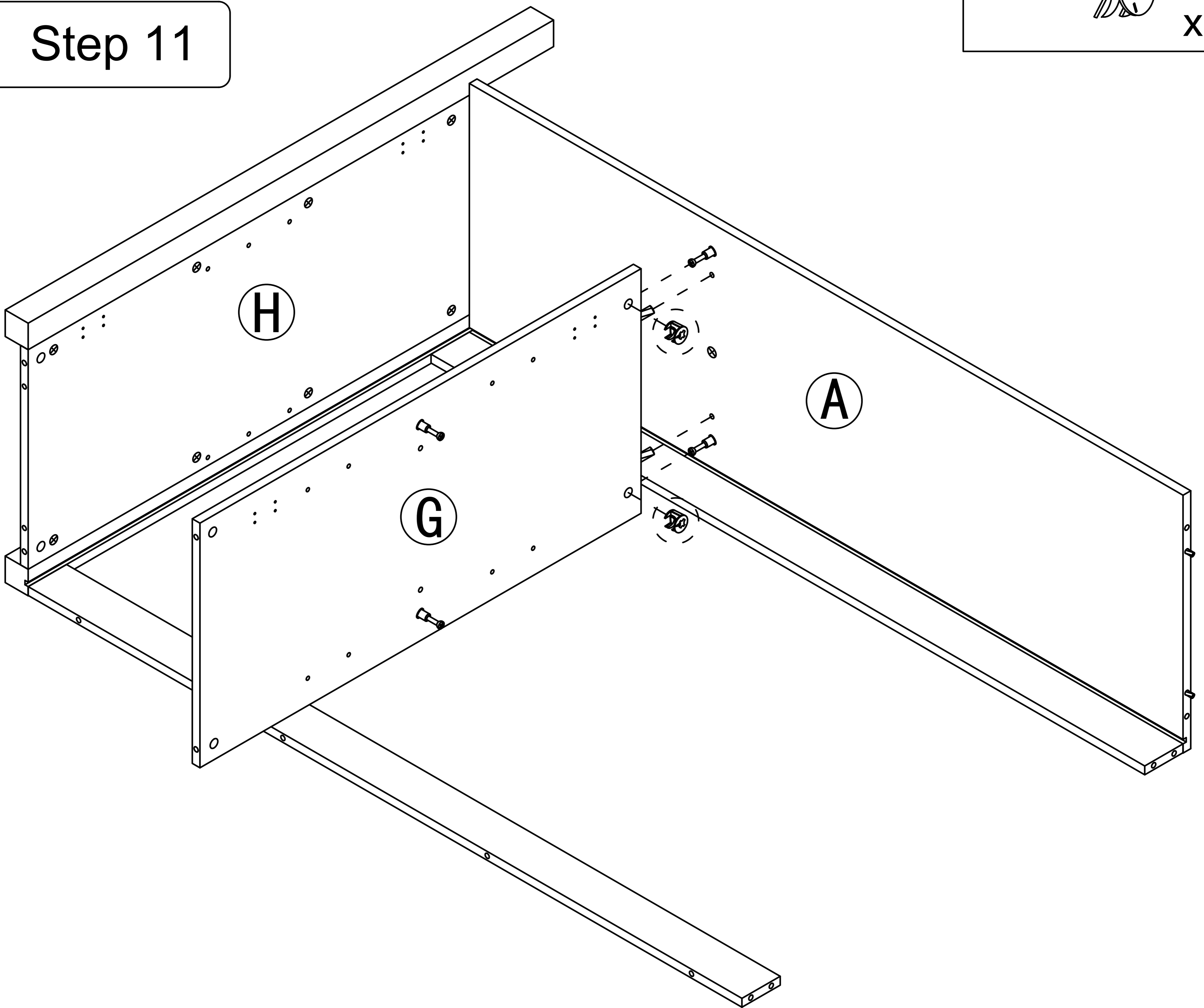
①  x2

③  x2




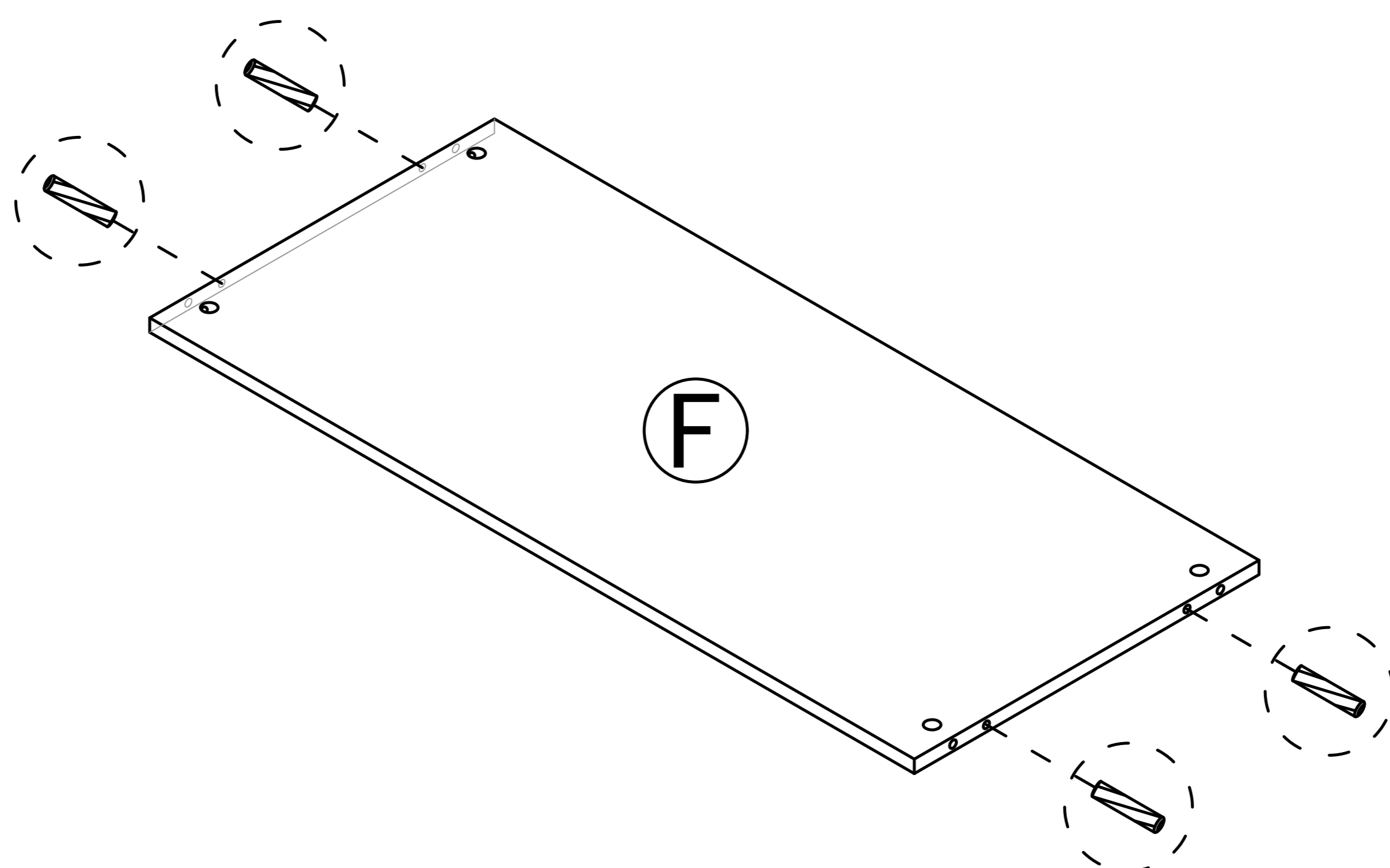
Step 11

2  x2

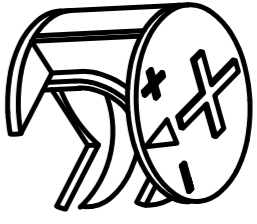


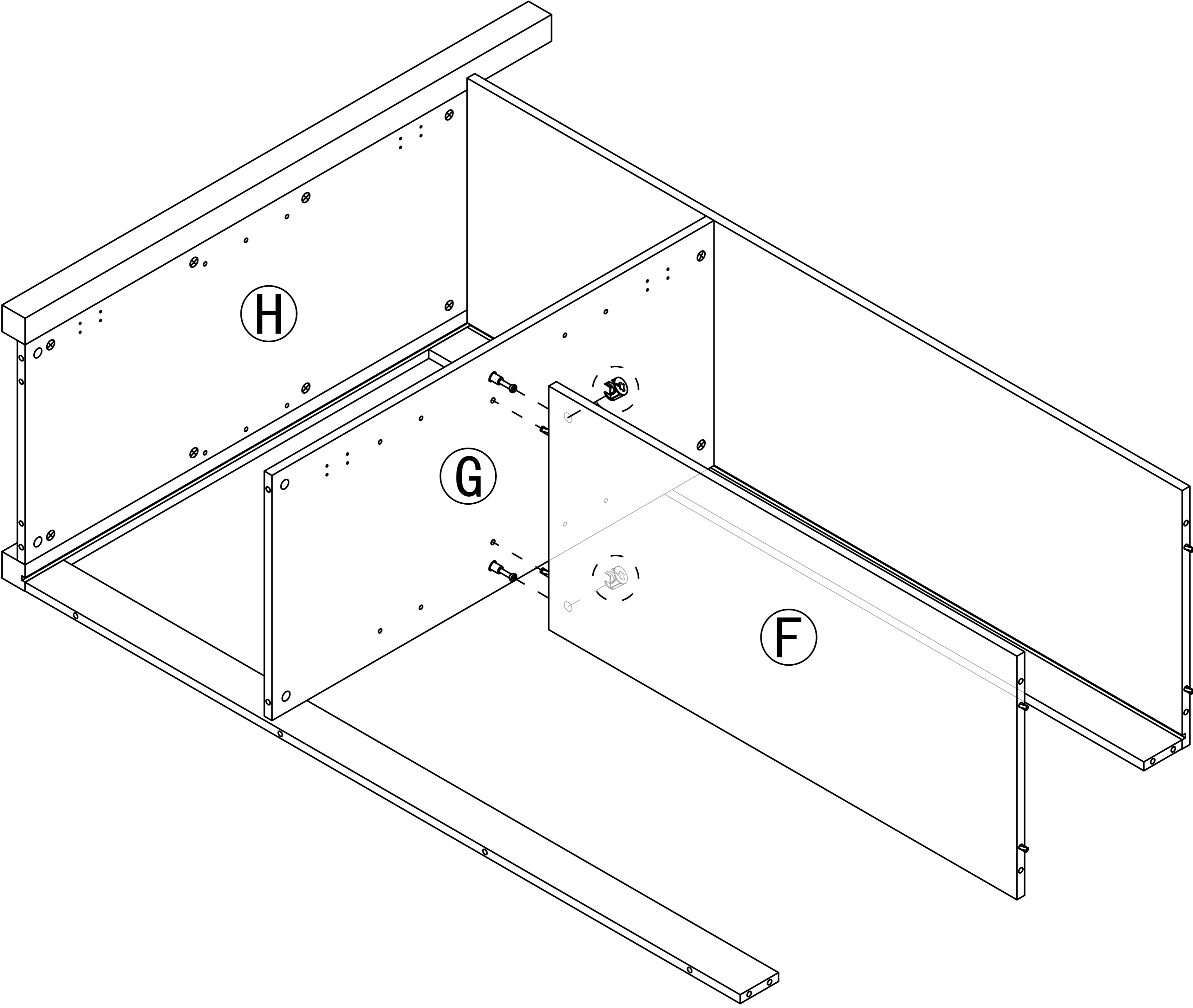
Step 12

3  x4

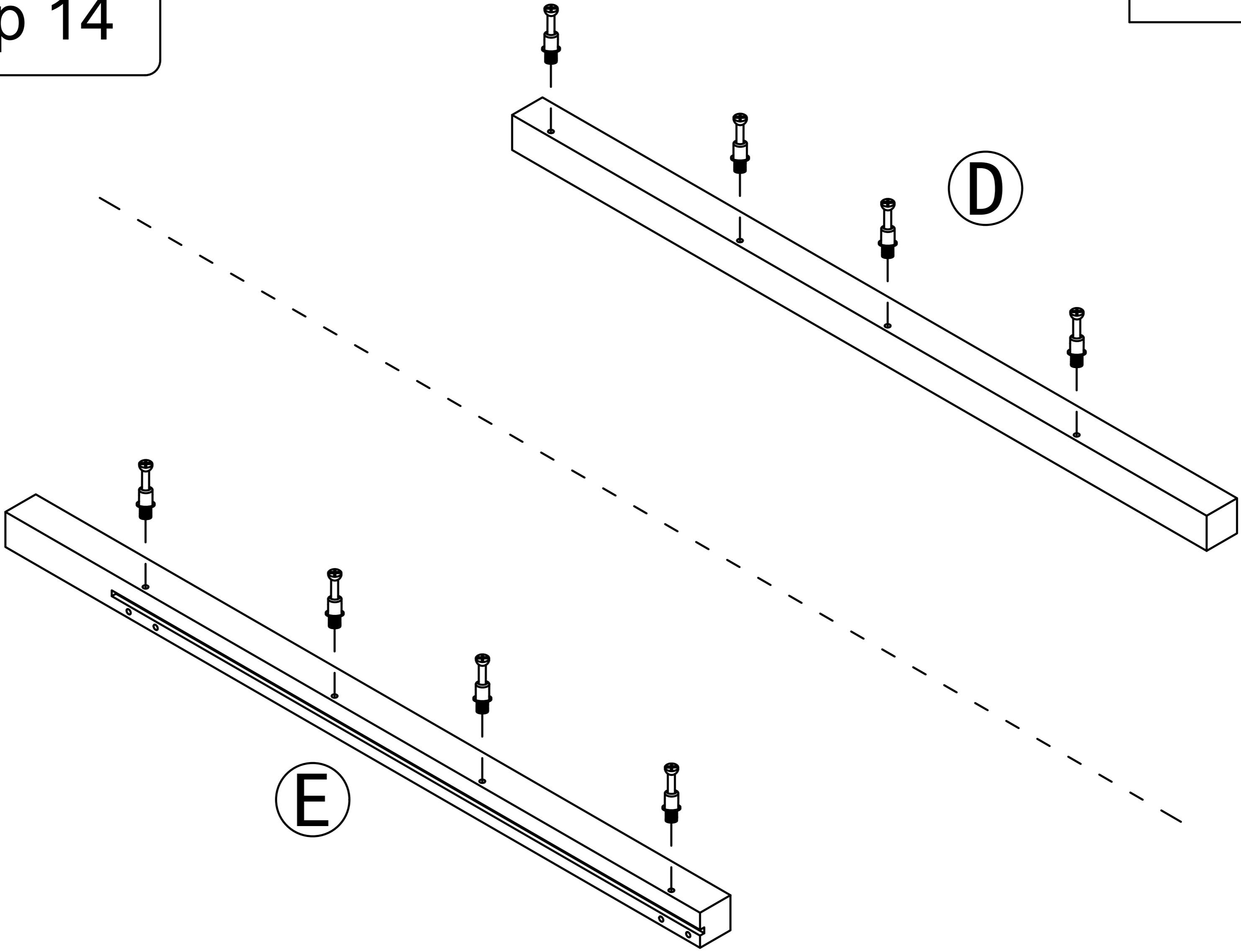
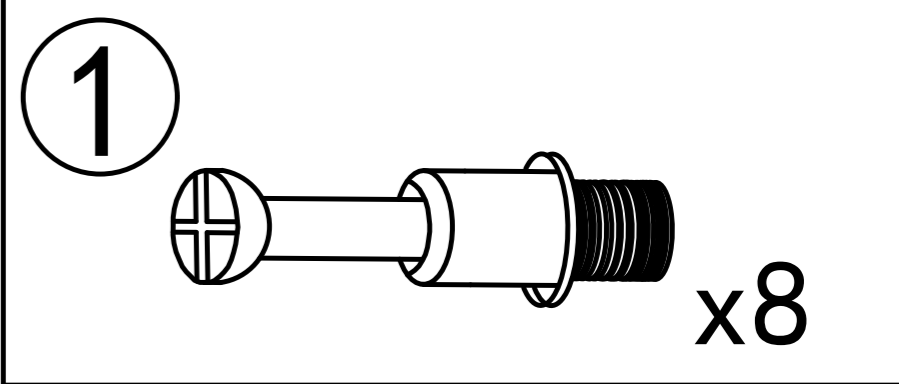


Step 13

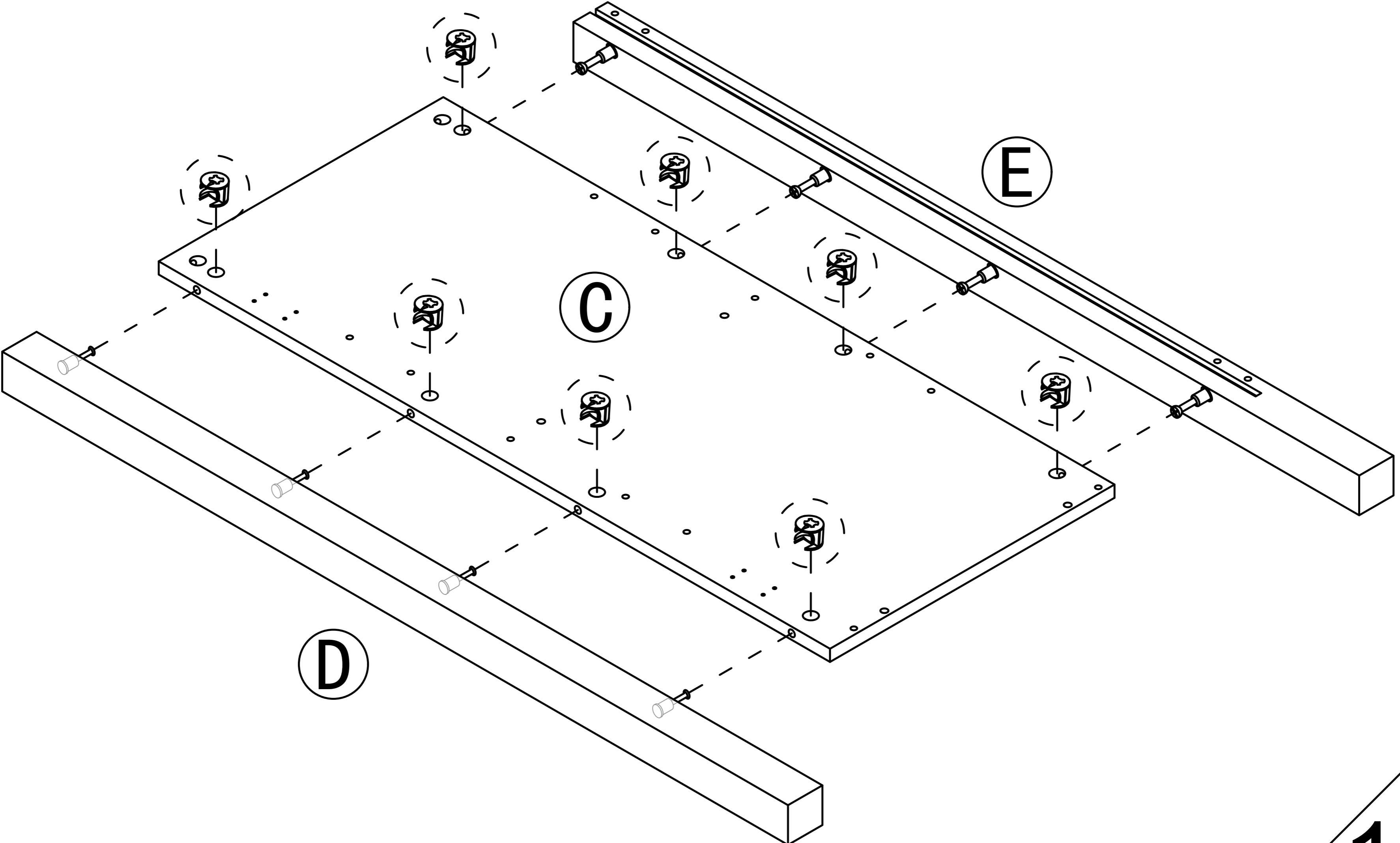
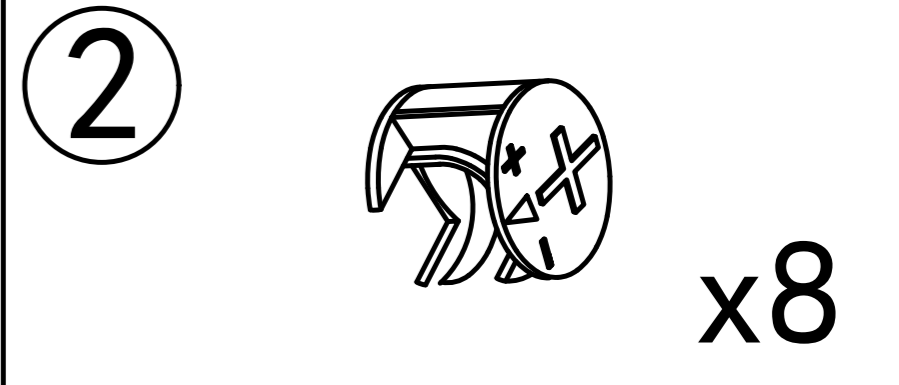
2  x2



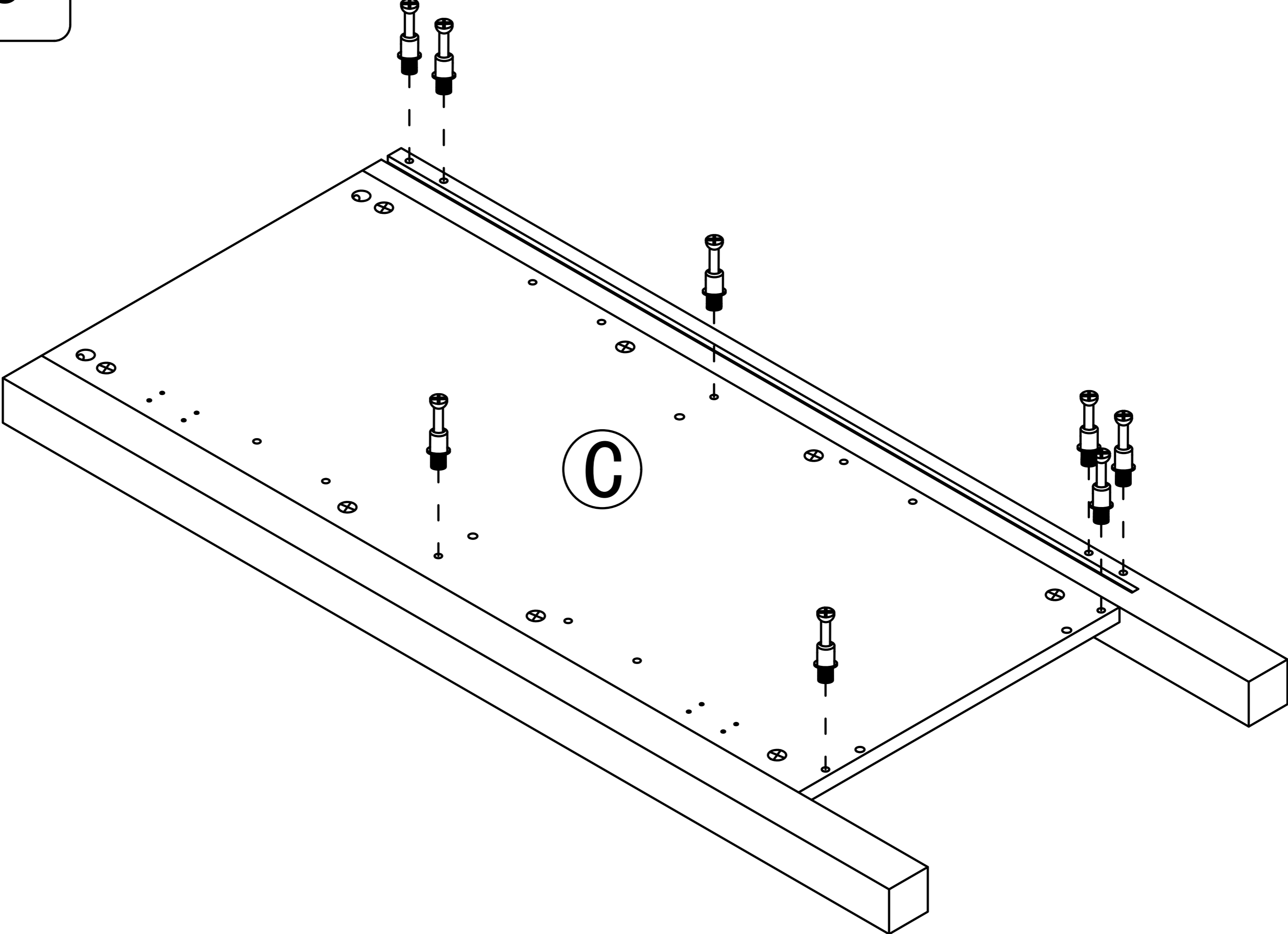
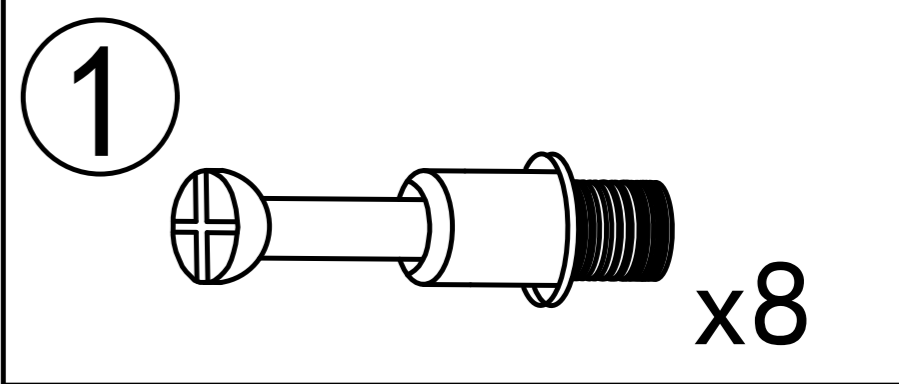
Step 14



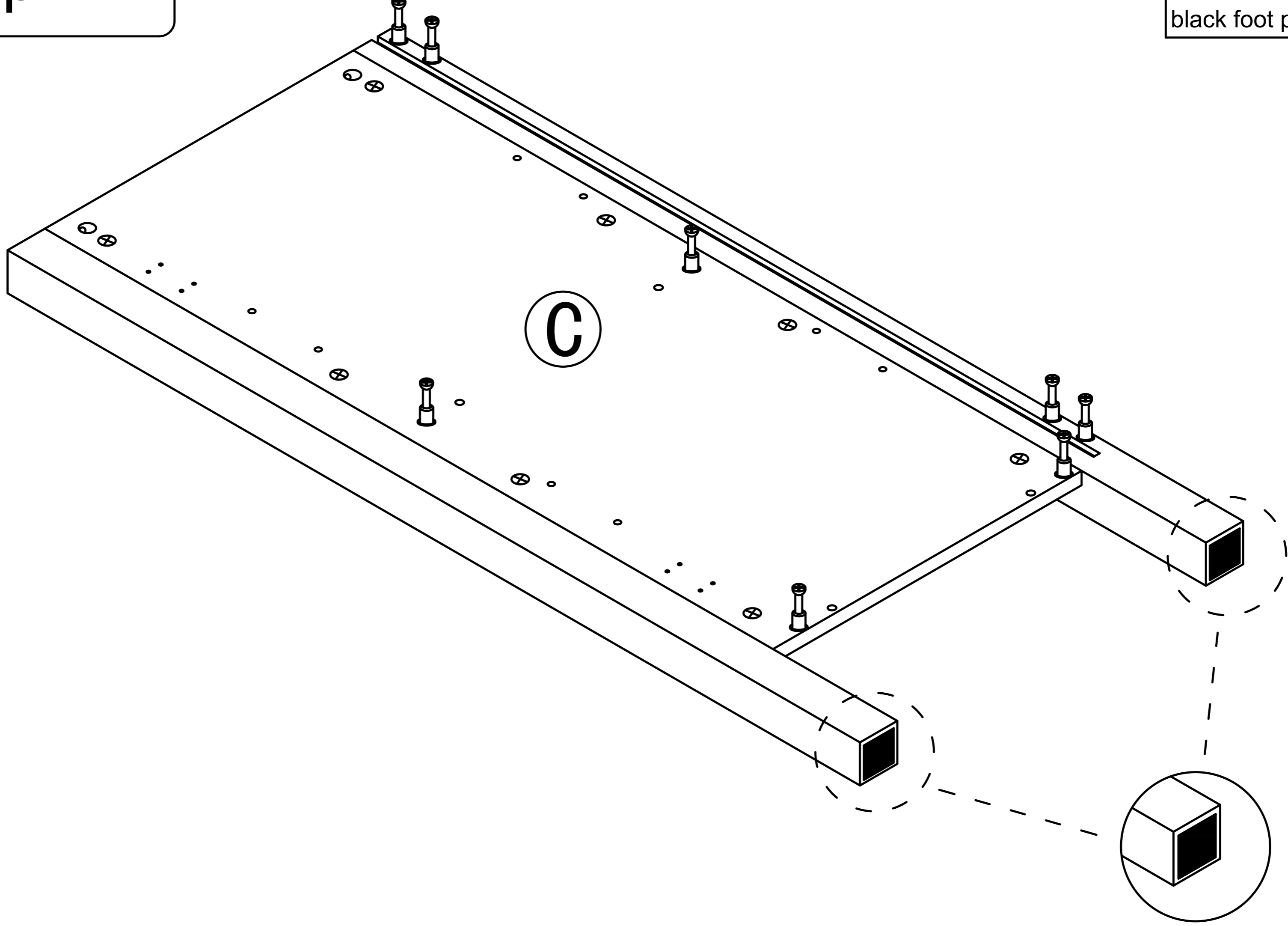
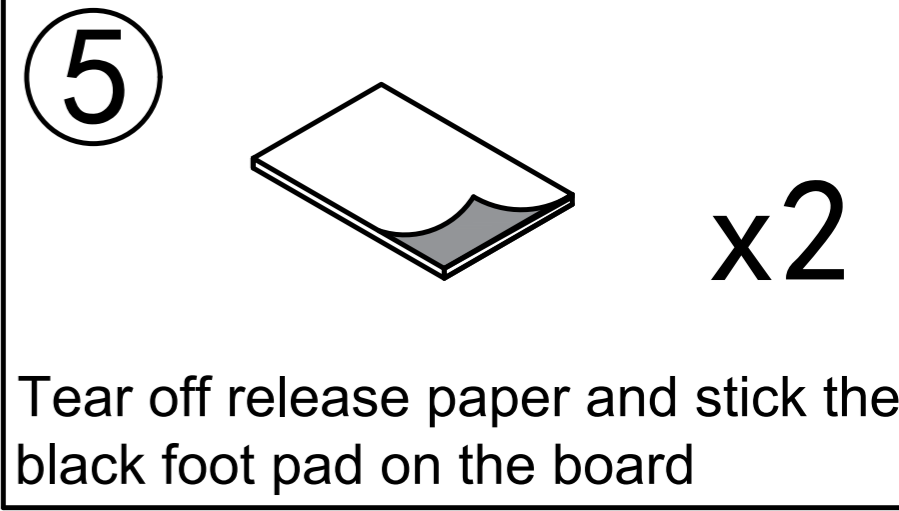
Step 15



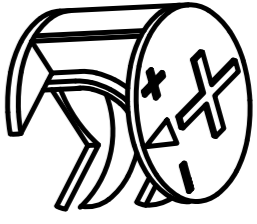
Step 16

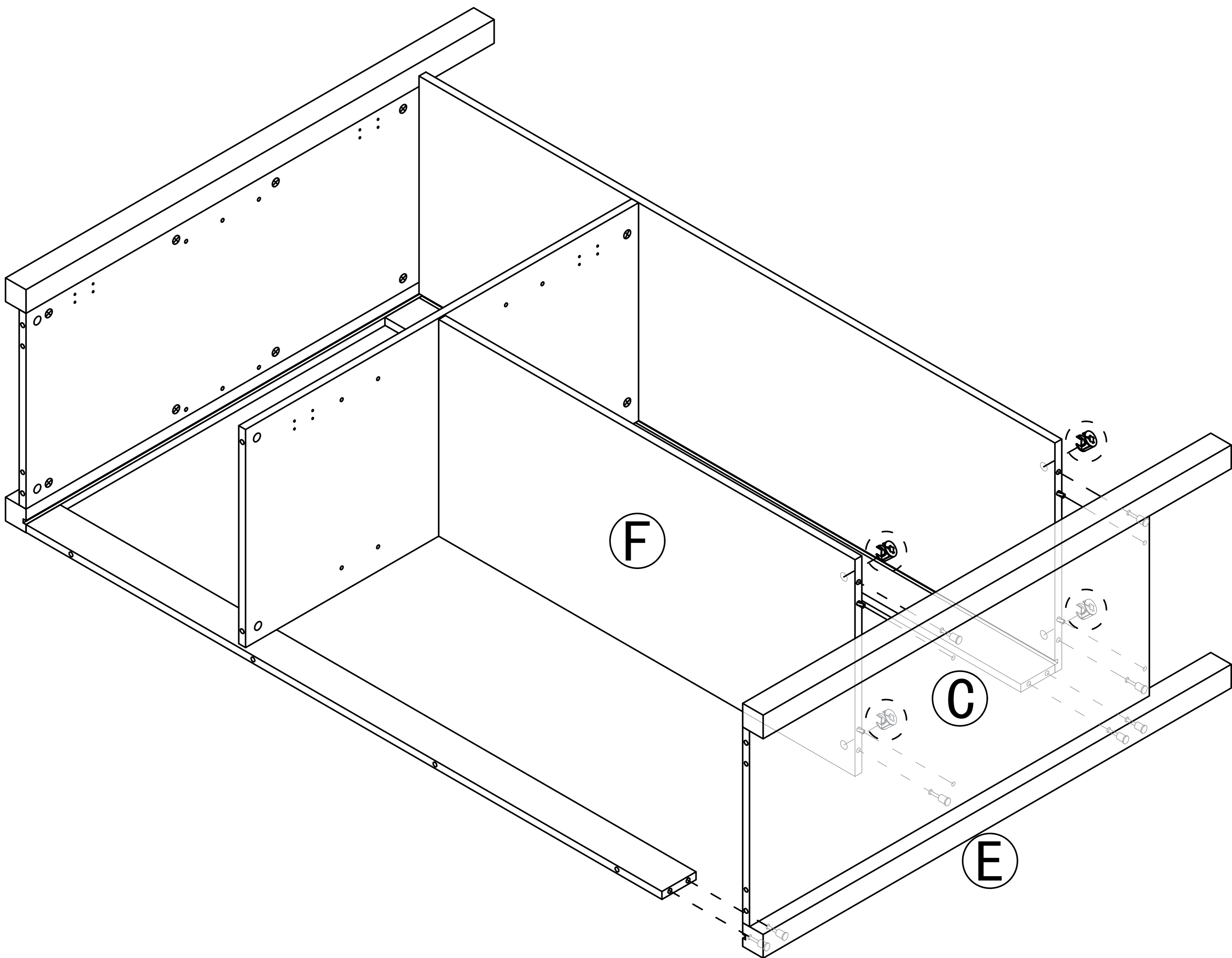


Step 17

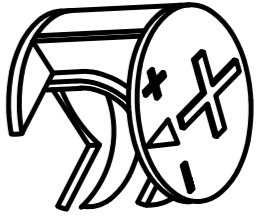


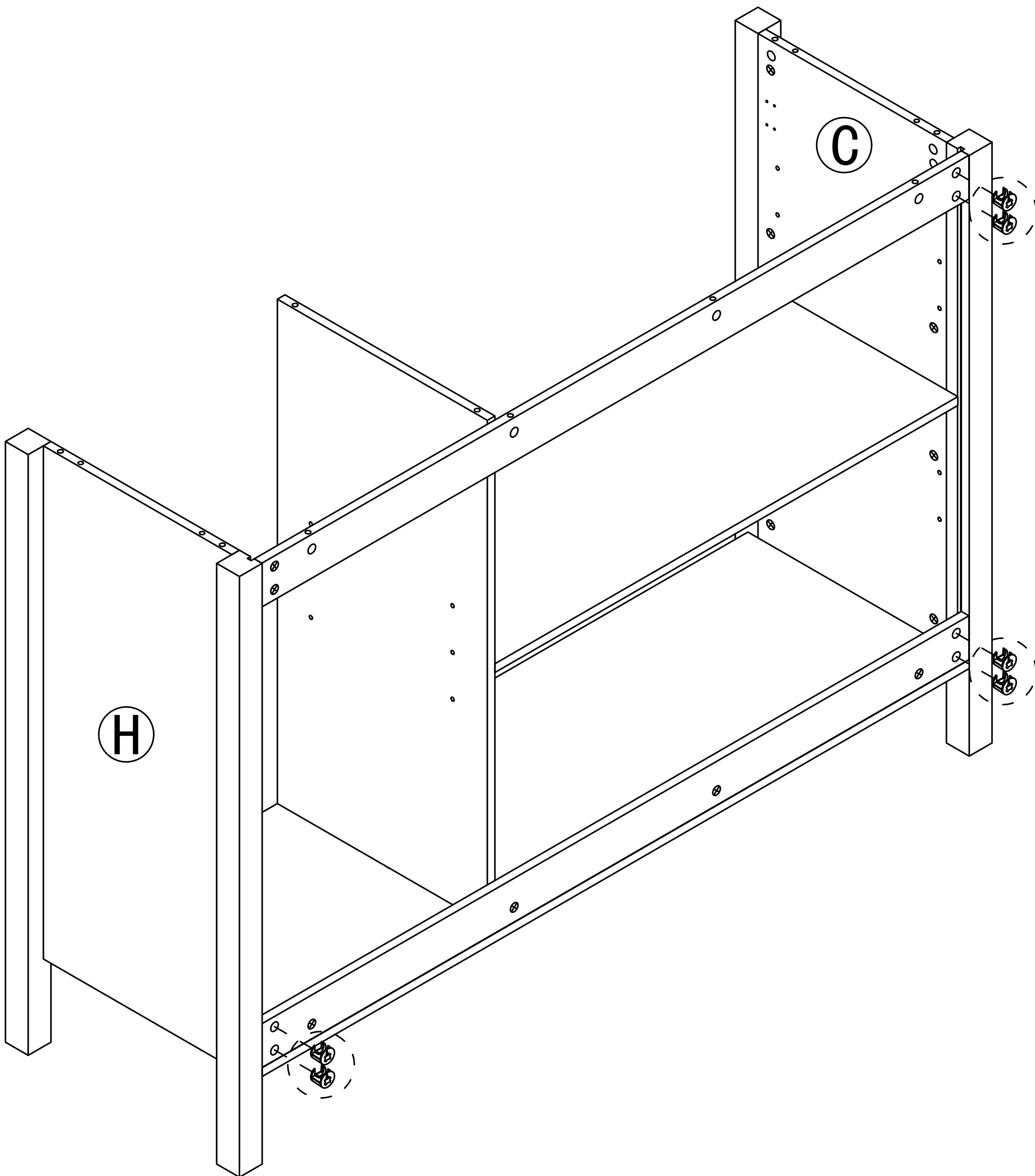
Step 18

2  x4




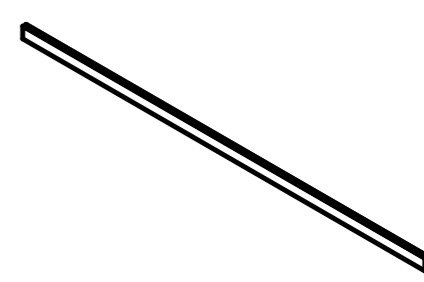
Step 19

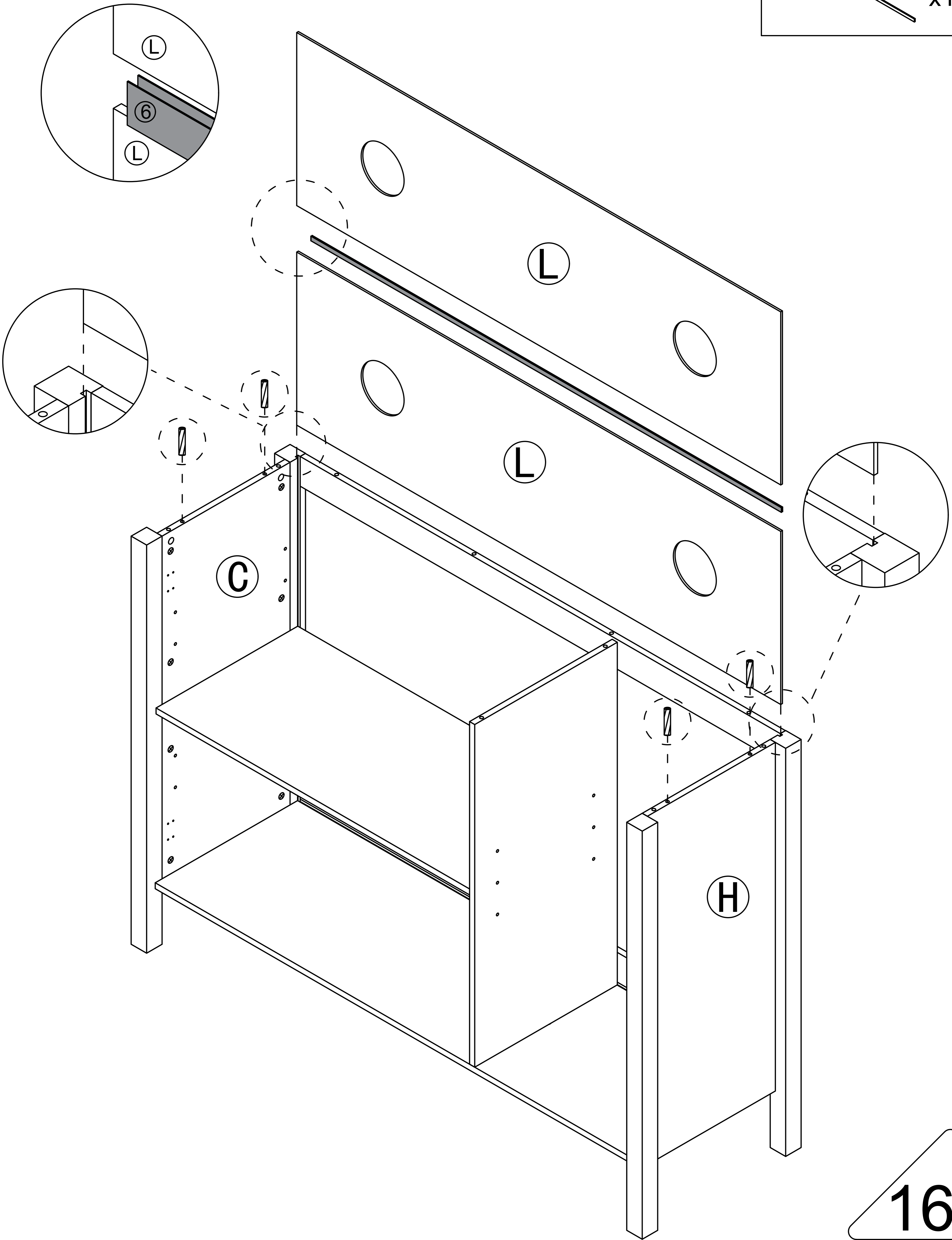
2  x6



Step 20

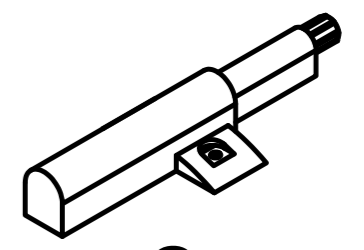
Place the "L" board, Backboard card strip, and "L" board in order

- ③  x4
- ⑥  x1



Step 21

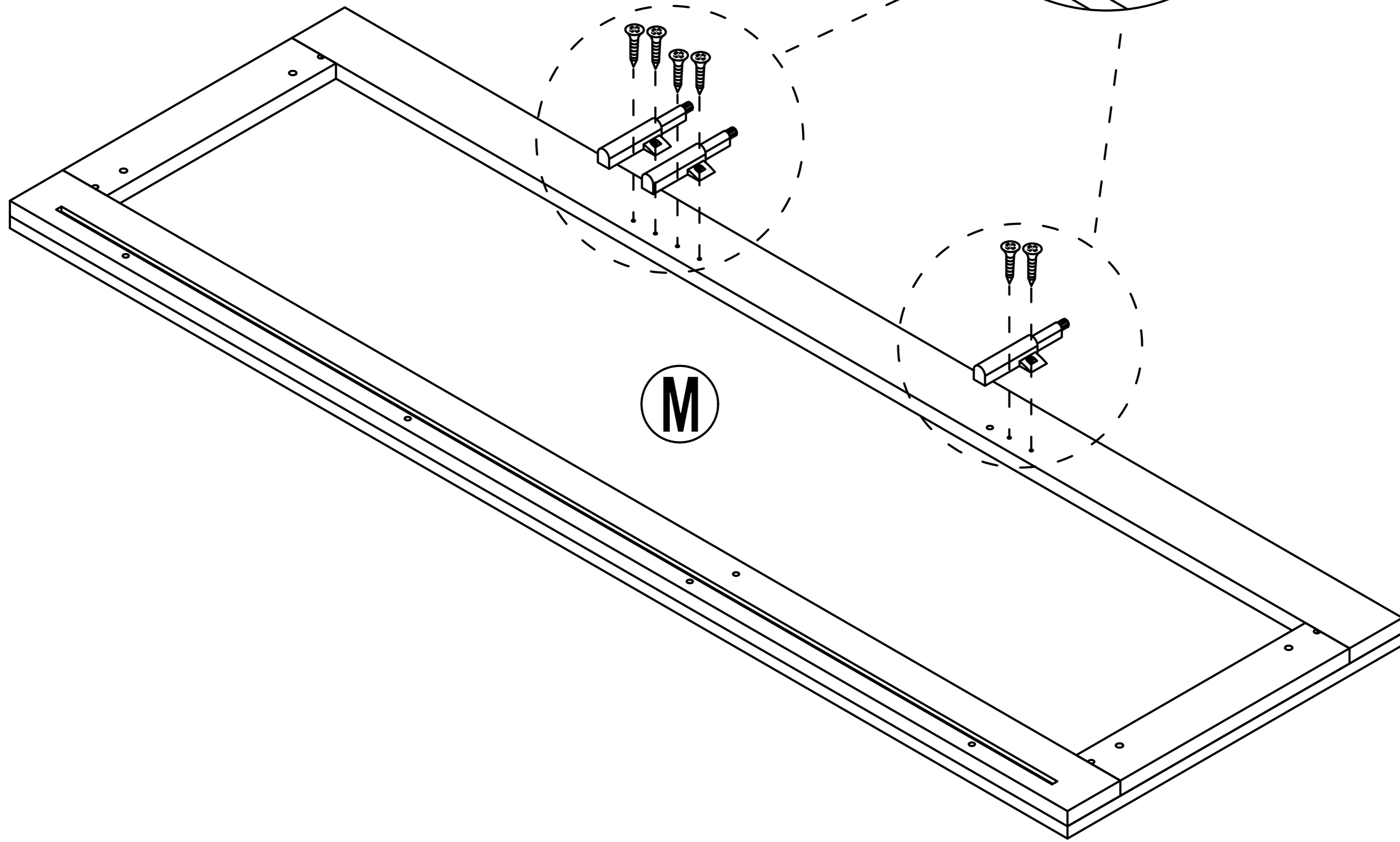
10



x3

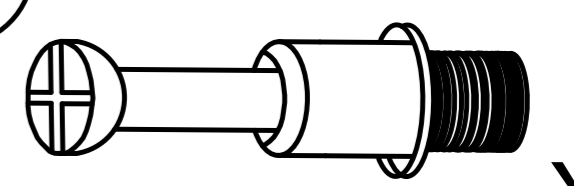


x6

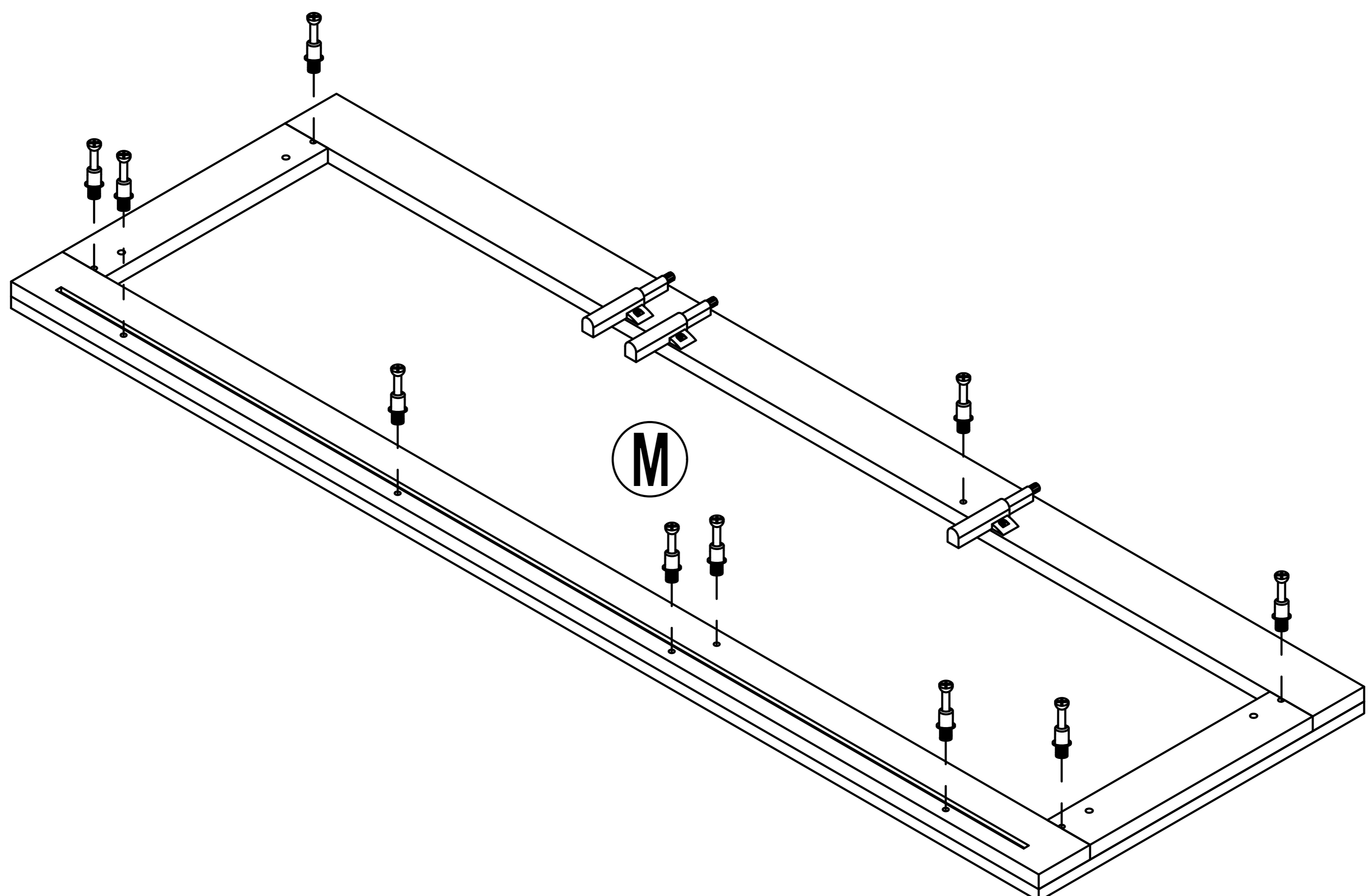


Step 22

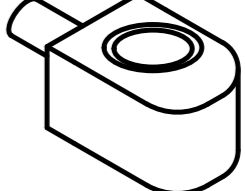
1

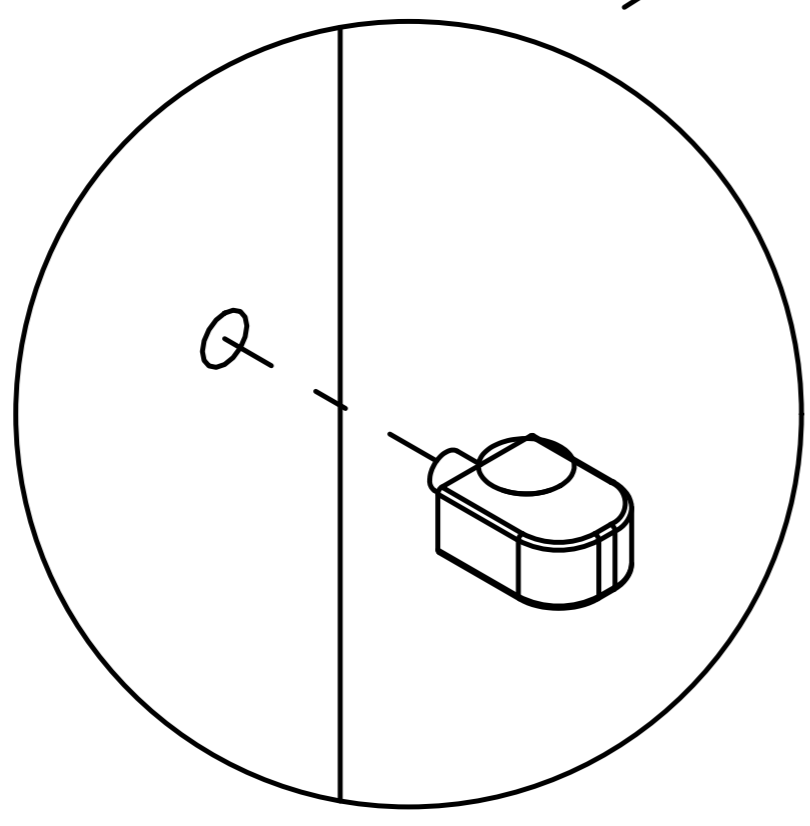
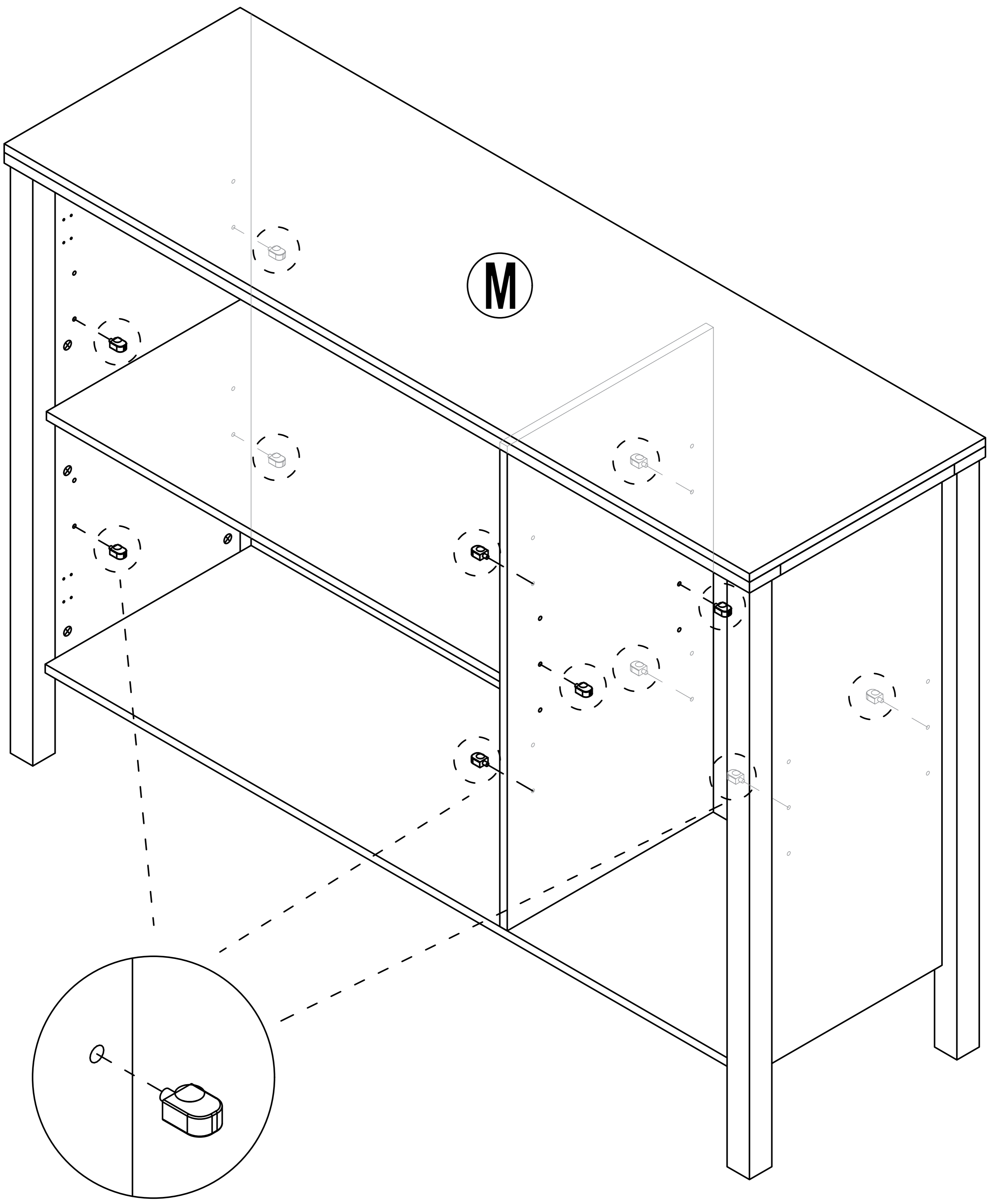


x10

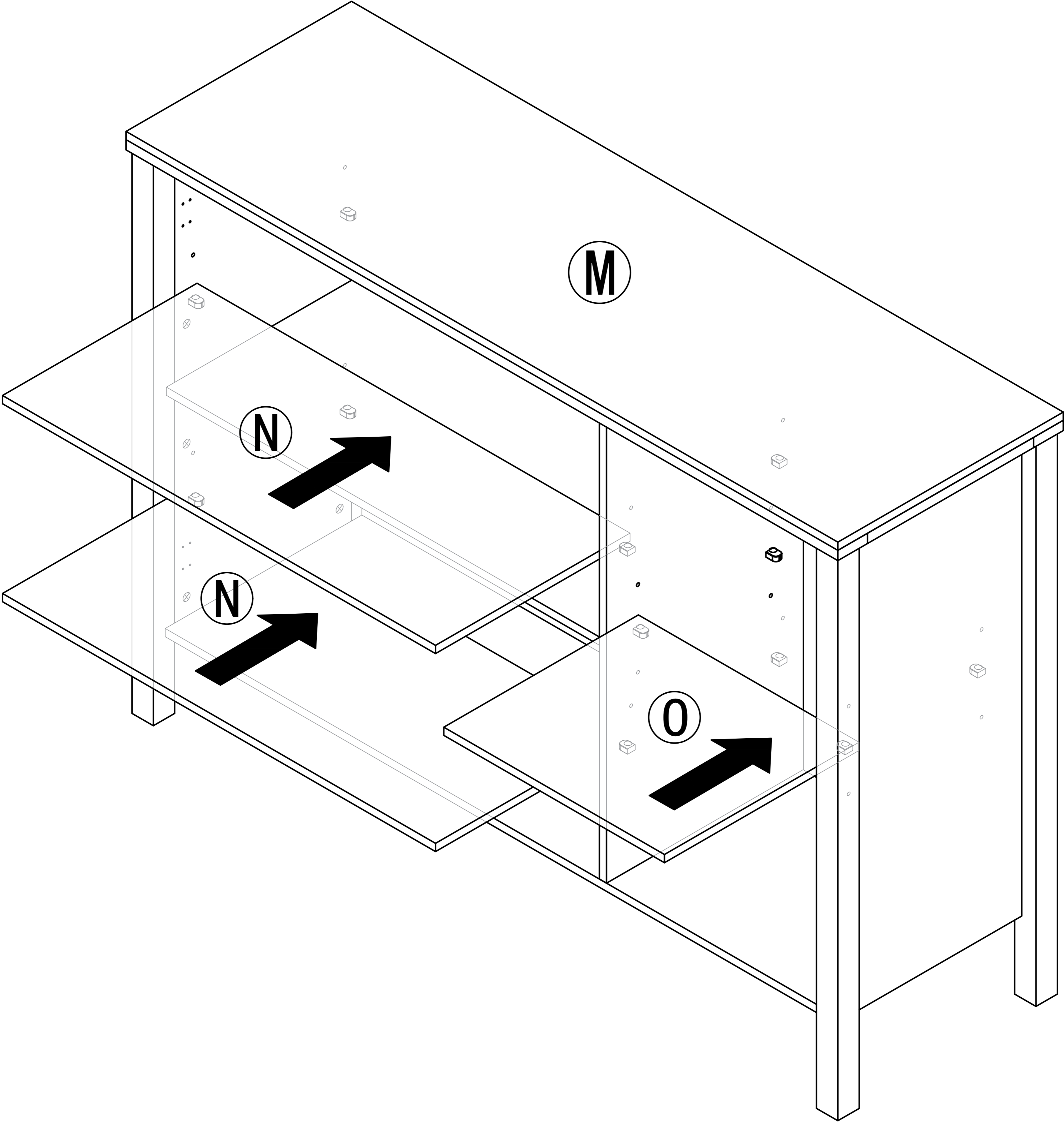


Step 24

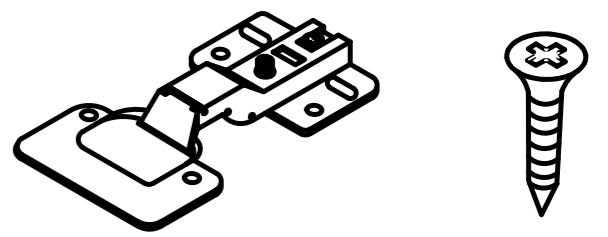
8  x12

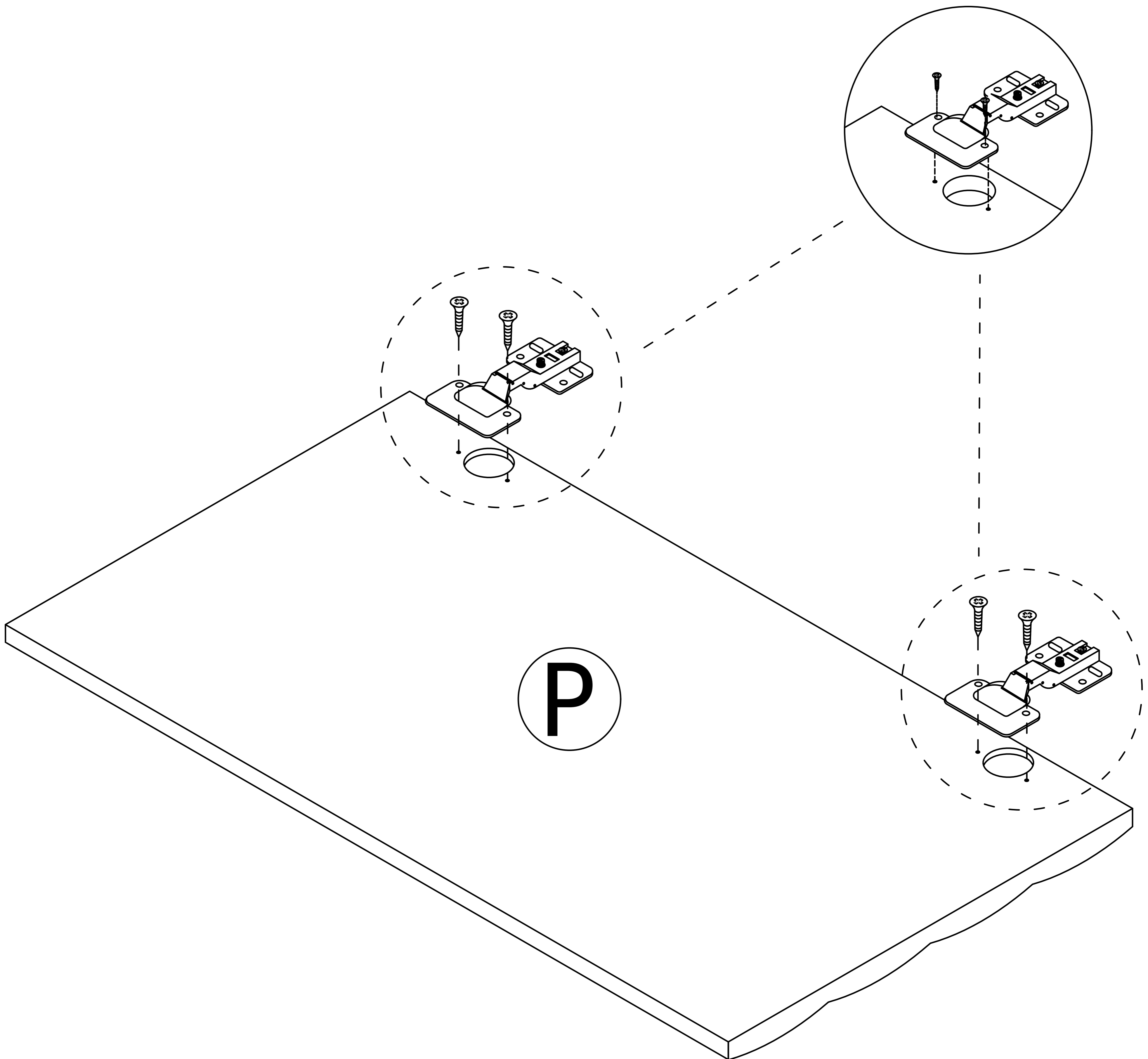


Step 25



Step 26

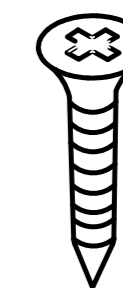
9 
x4 x8



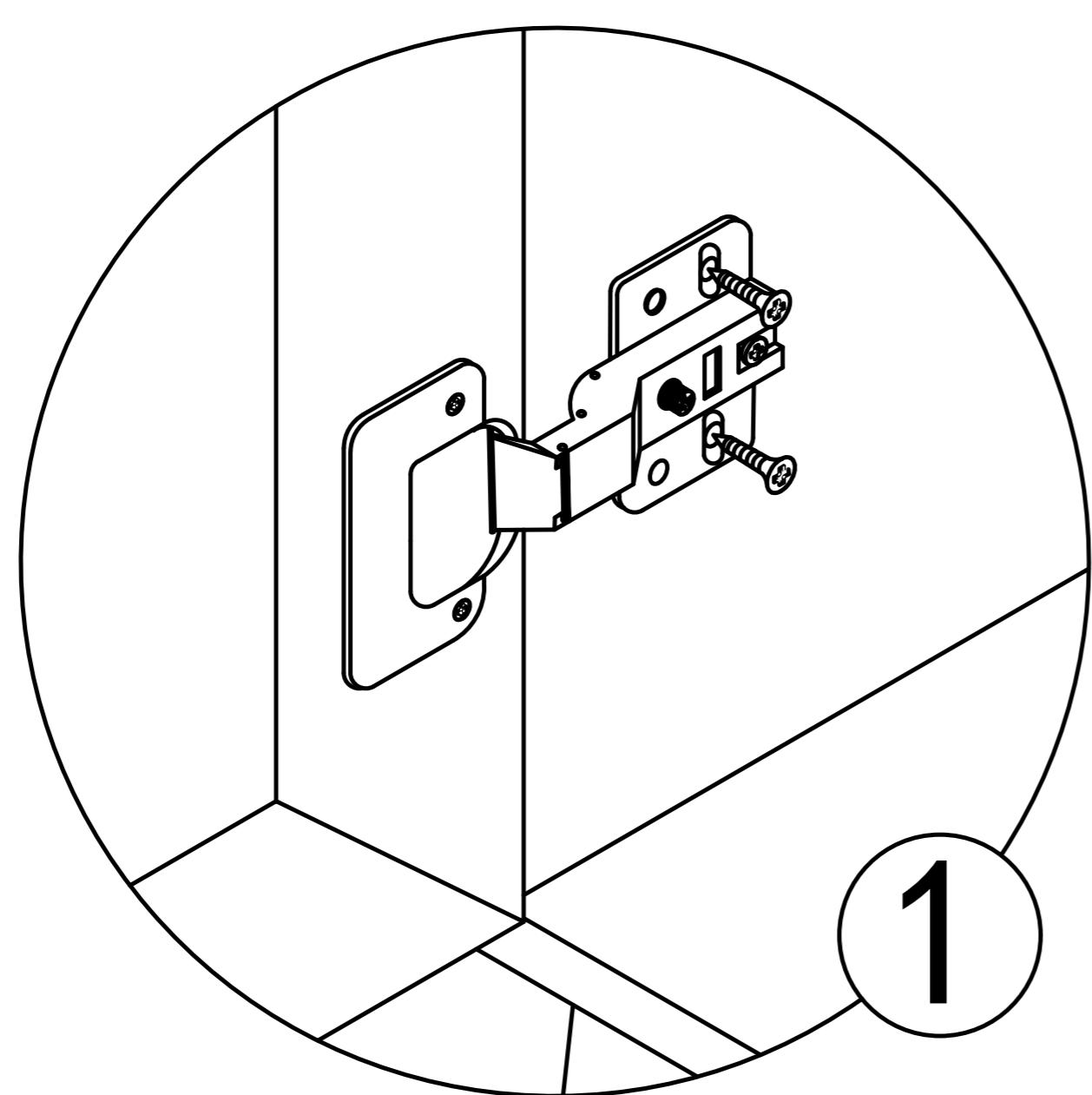
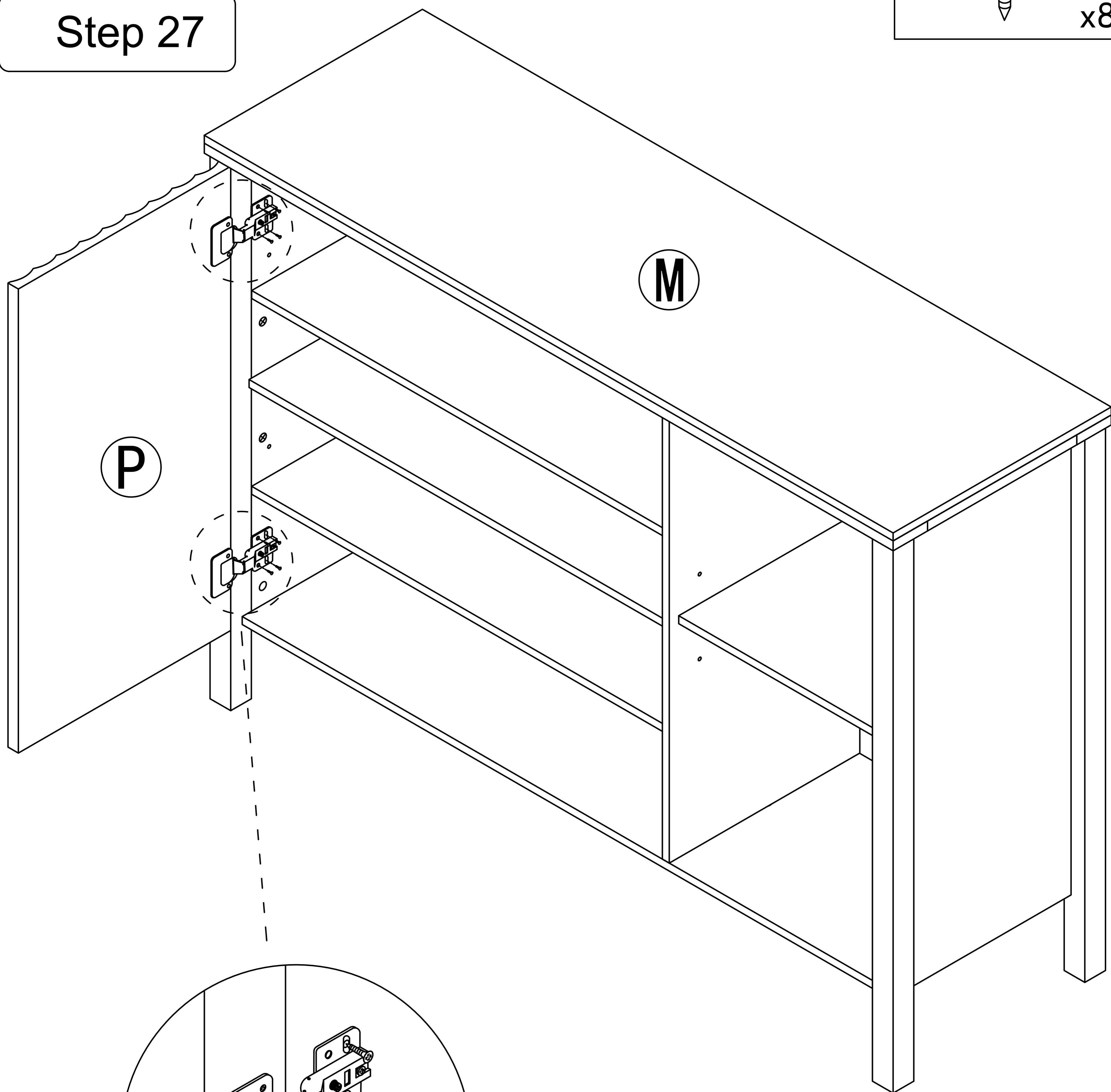
Px2

Step 27

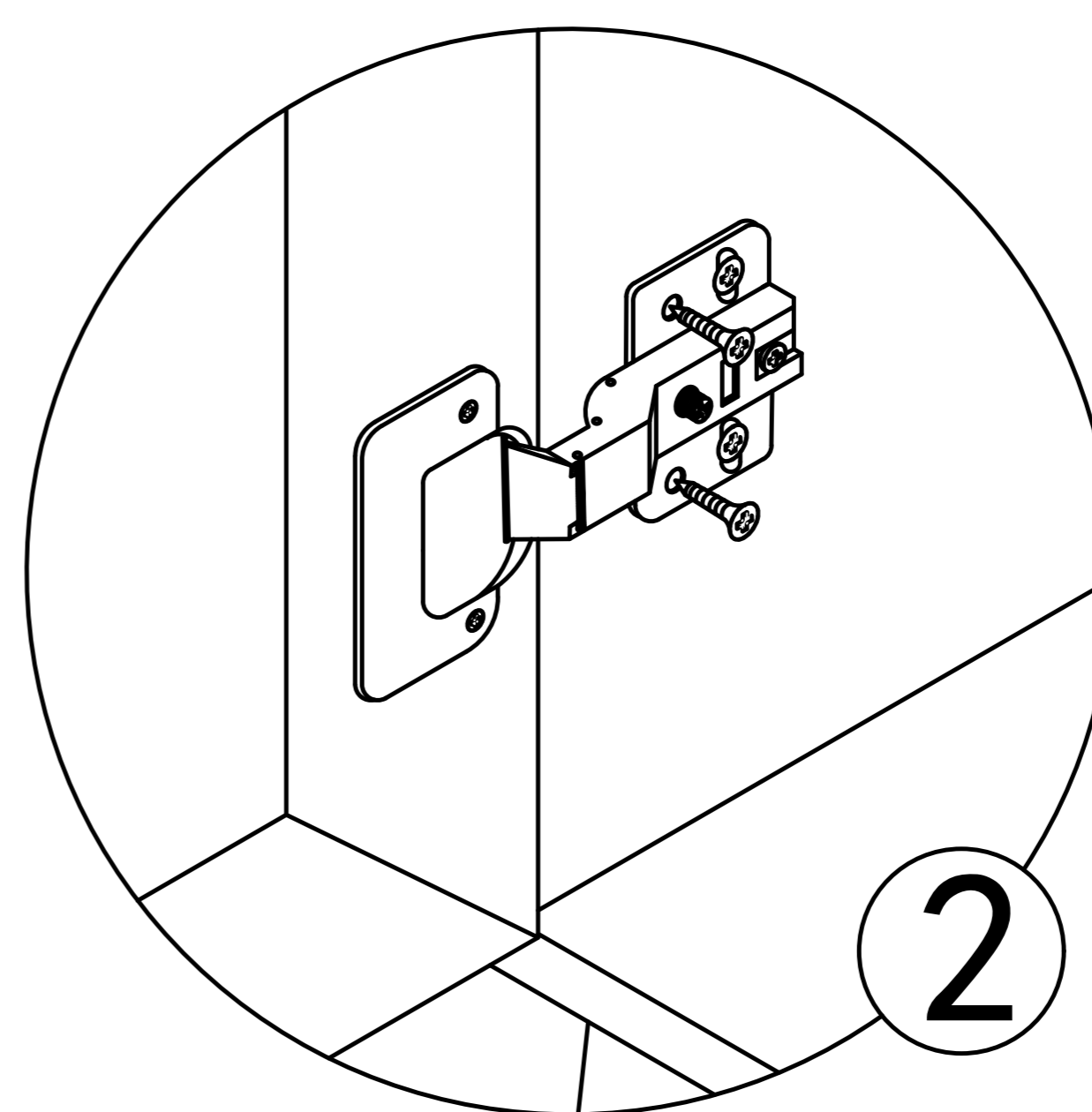
9



x8



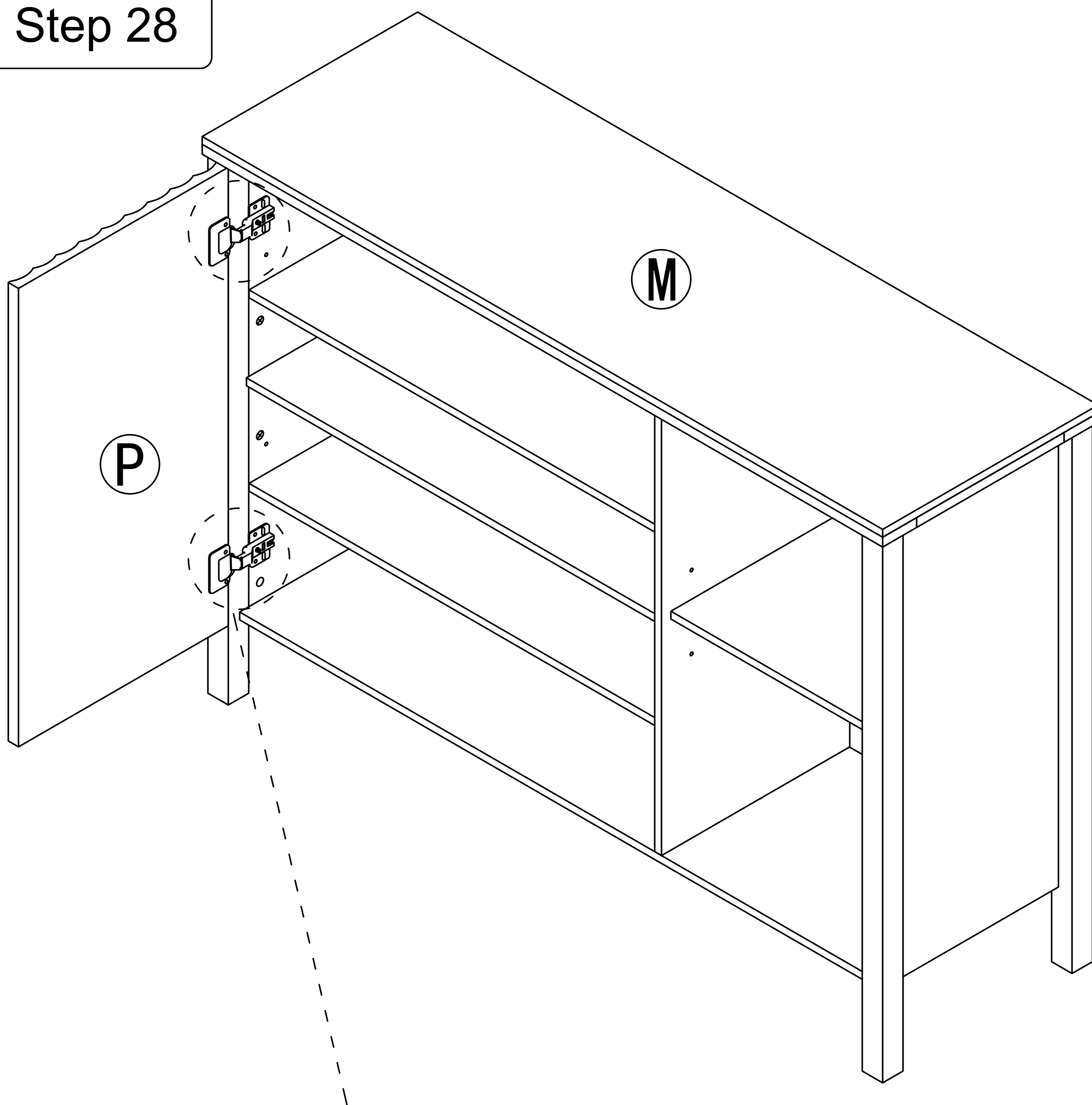
1



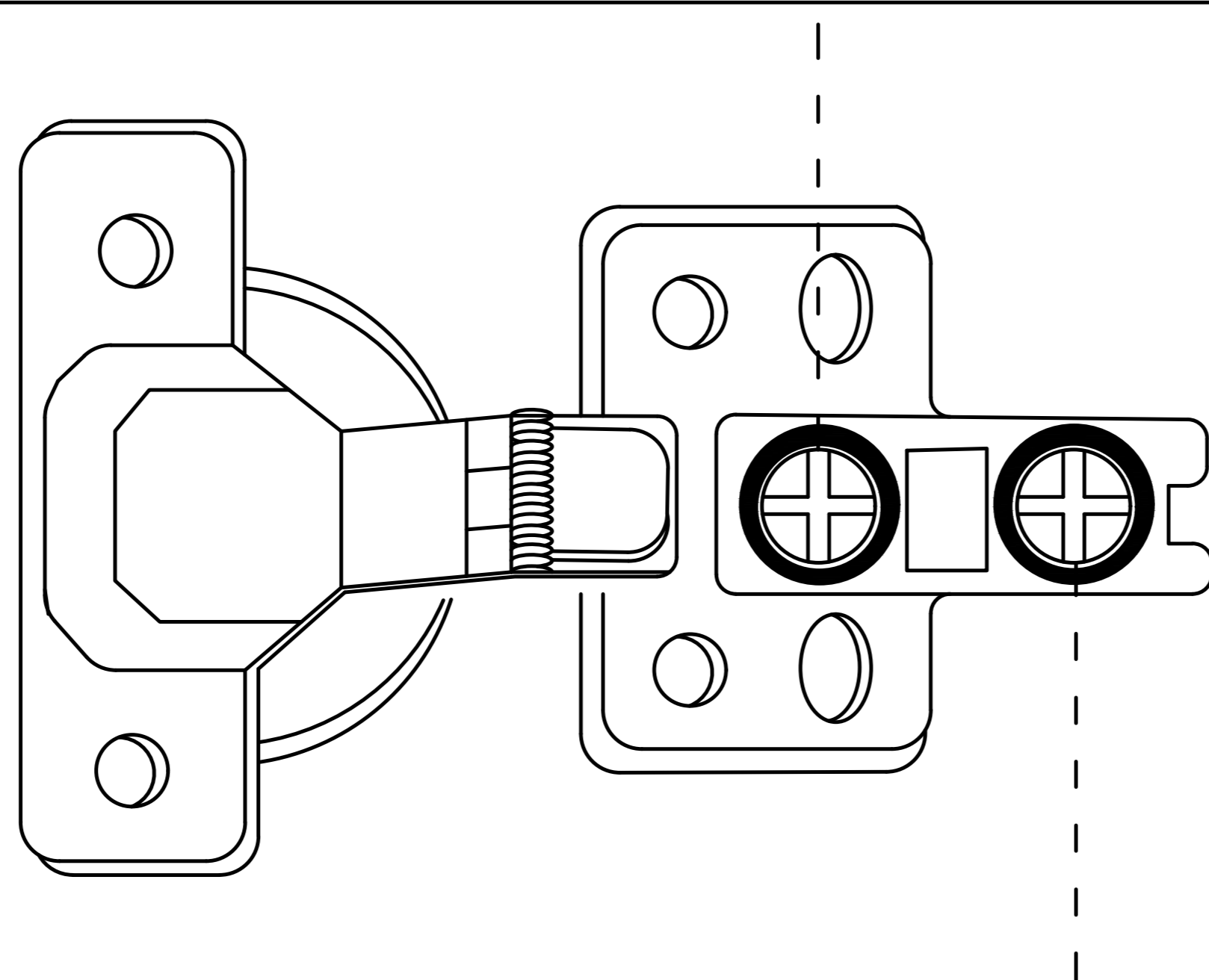
2

First lock the elliptical hole
then lock the fixed hole

Step 28



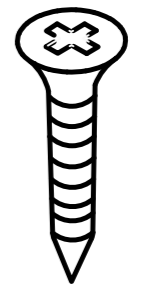
Turning this screw can effectively adjust the size of the door gap.



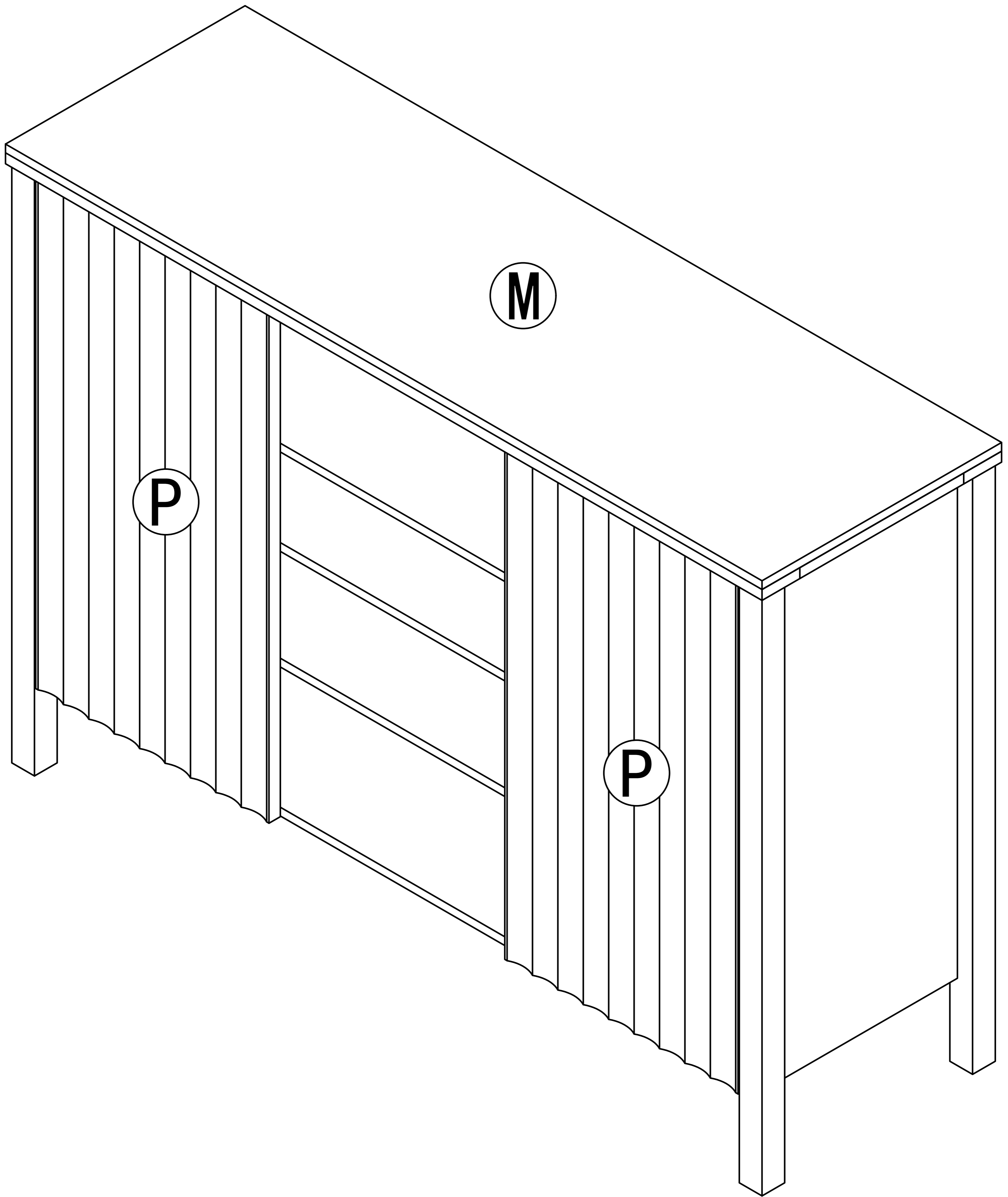
Turn this screw to adjust the door panel to be flat with the side panel.

Step 29

9



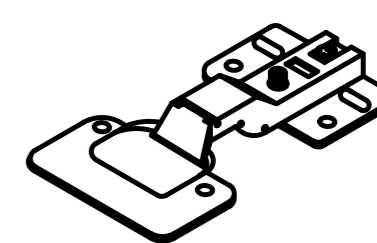
x8



Repeat the door panel installation steps.

Step 30

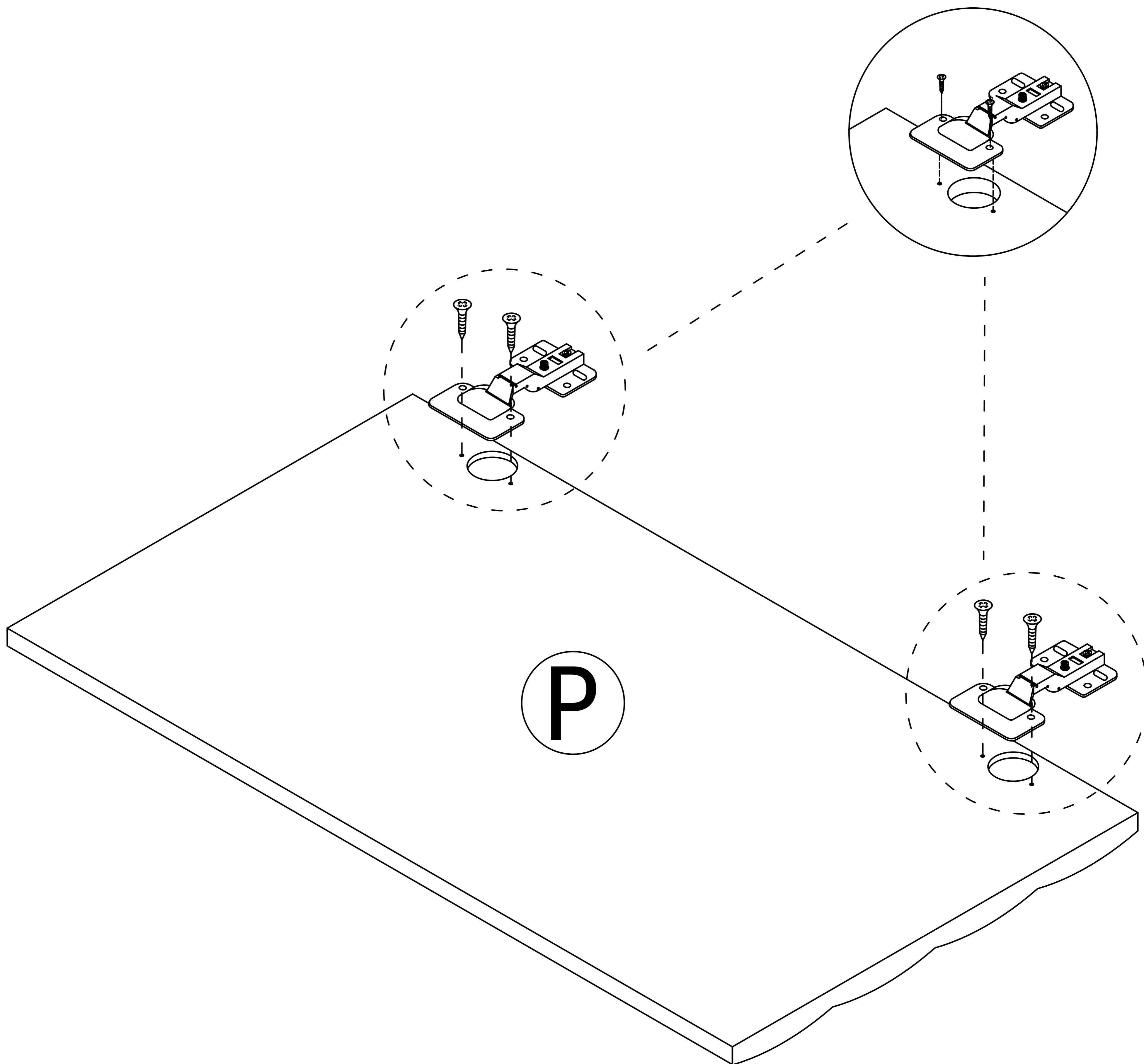
11



x2

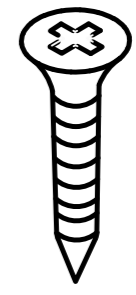


x4

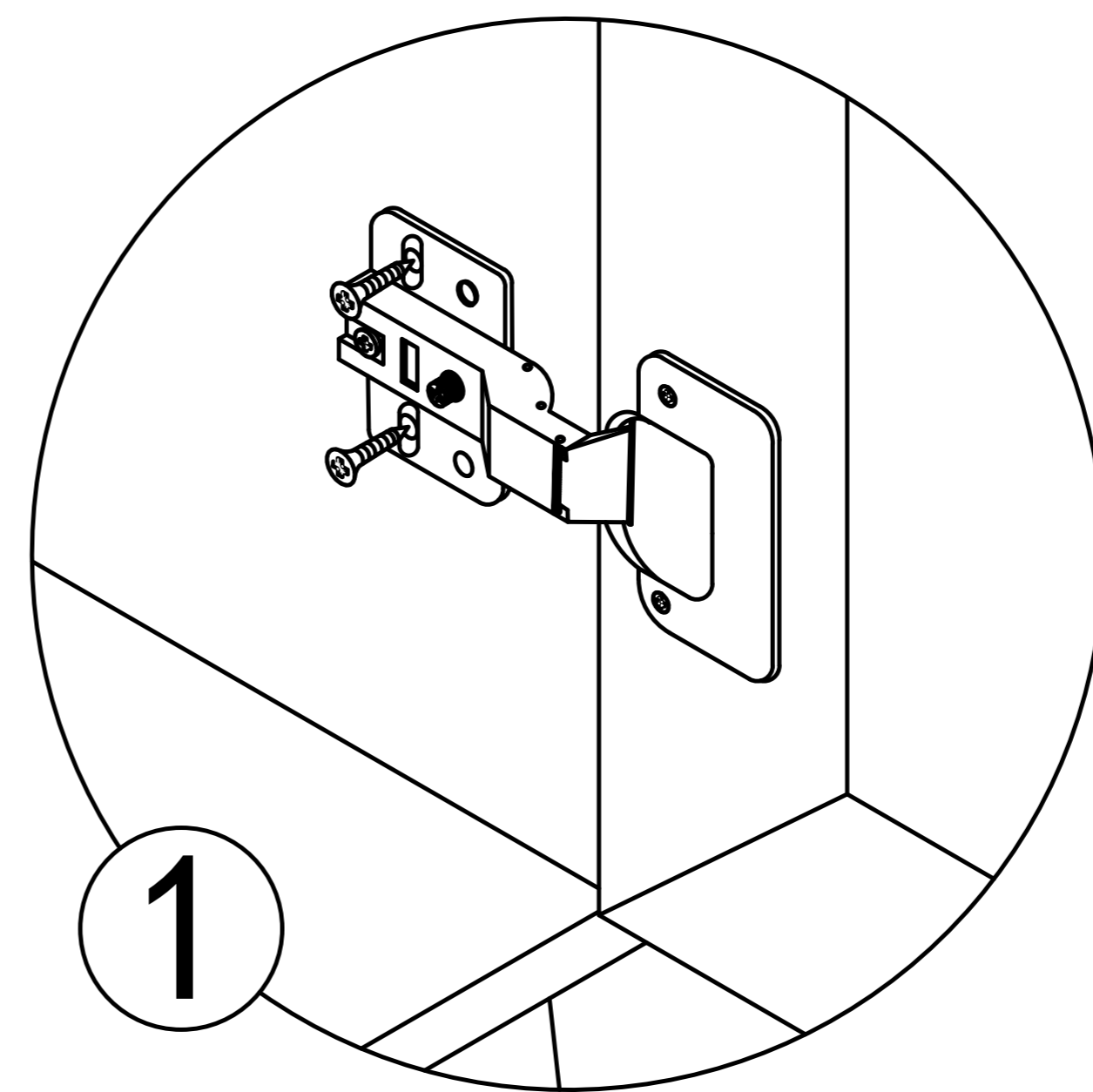
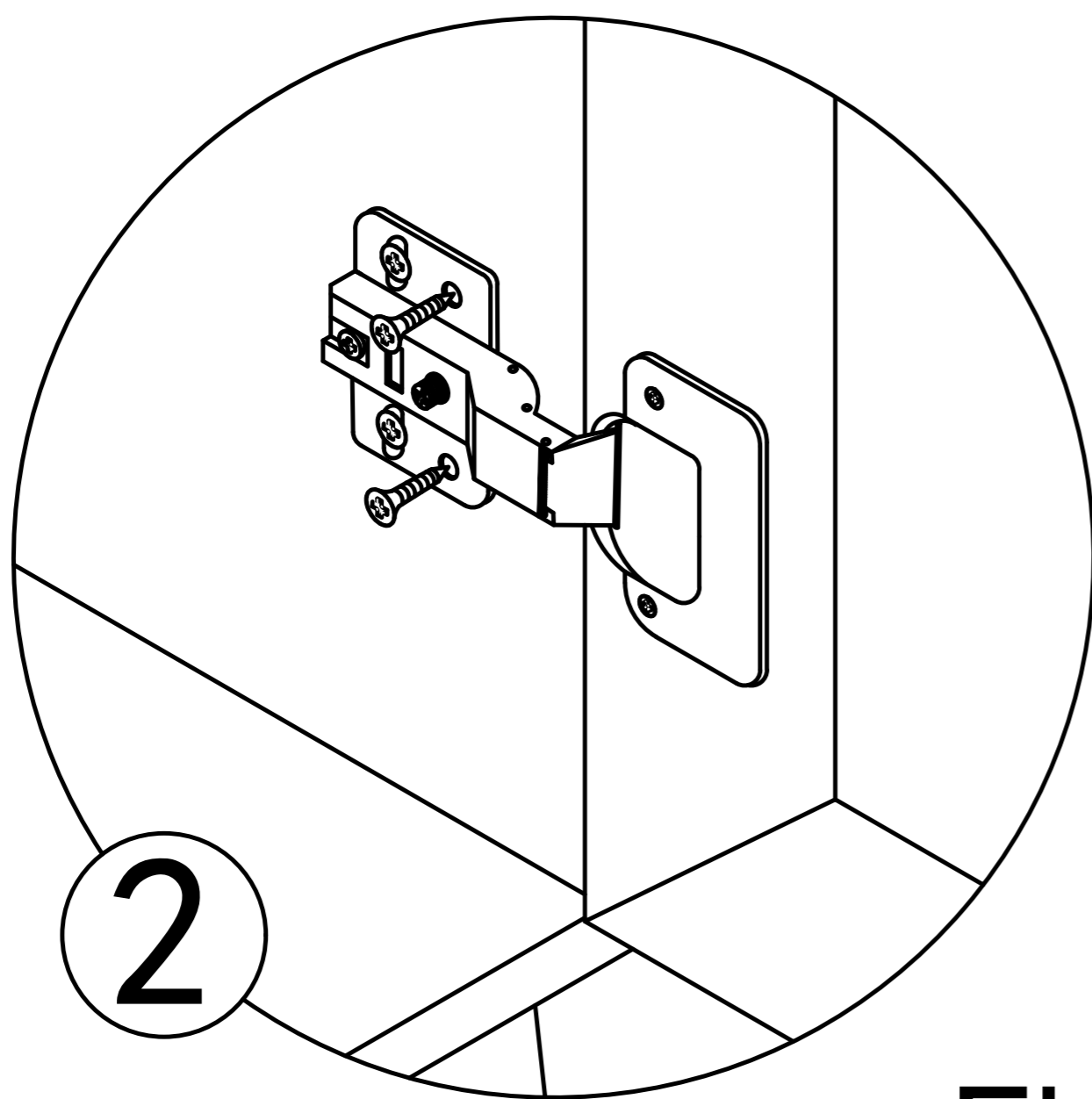
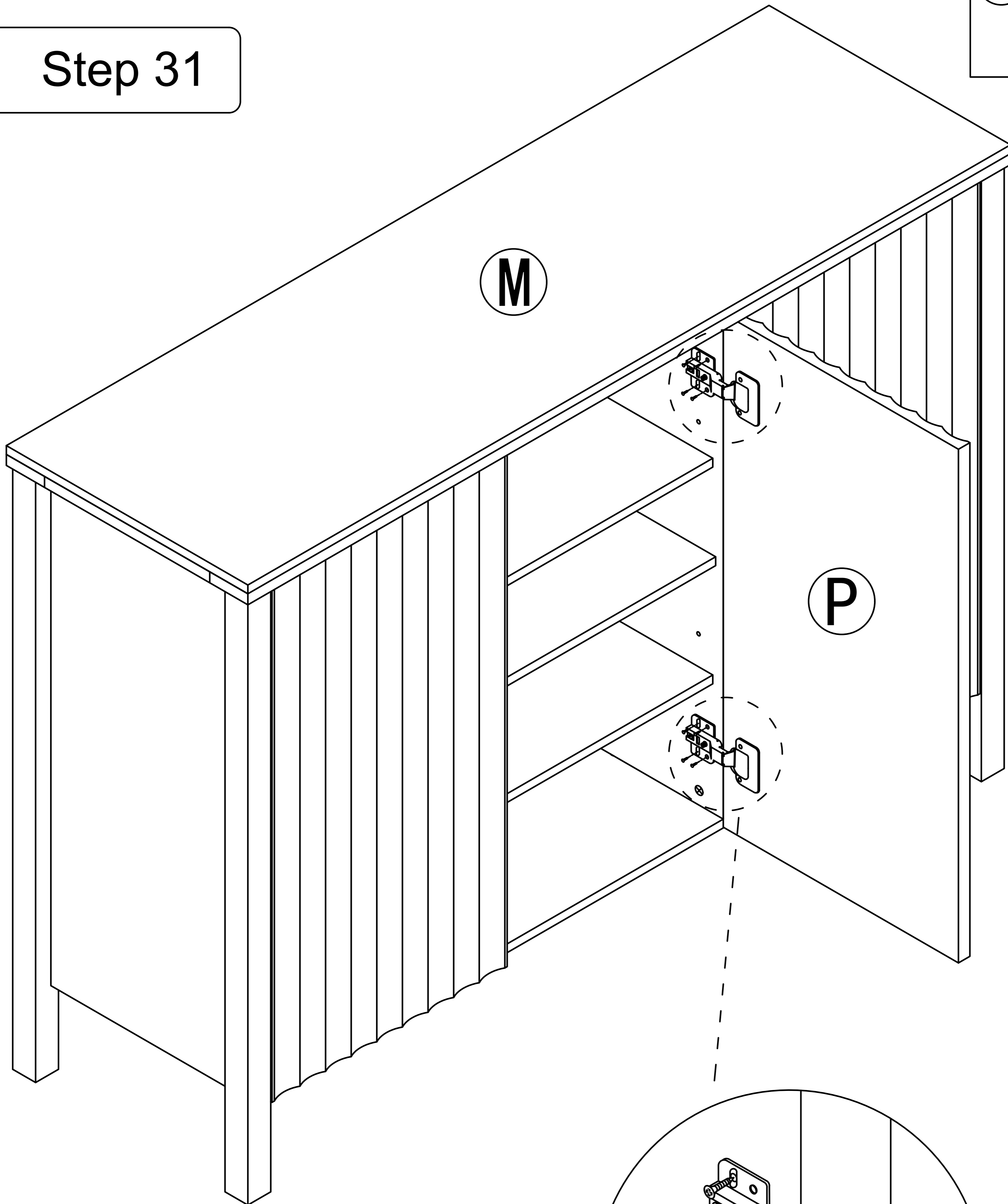


Step 31

11

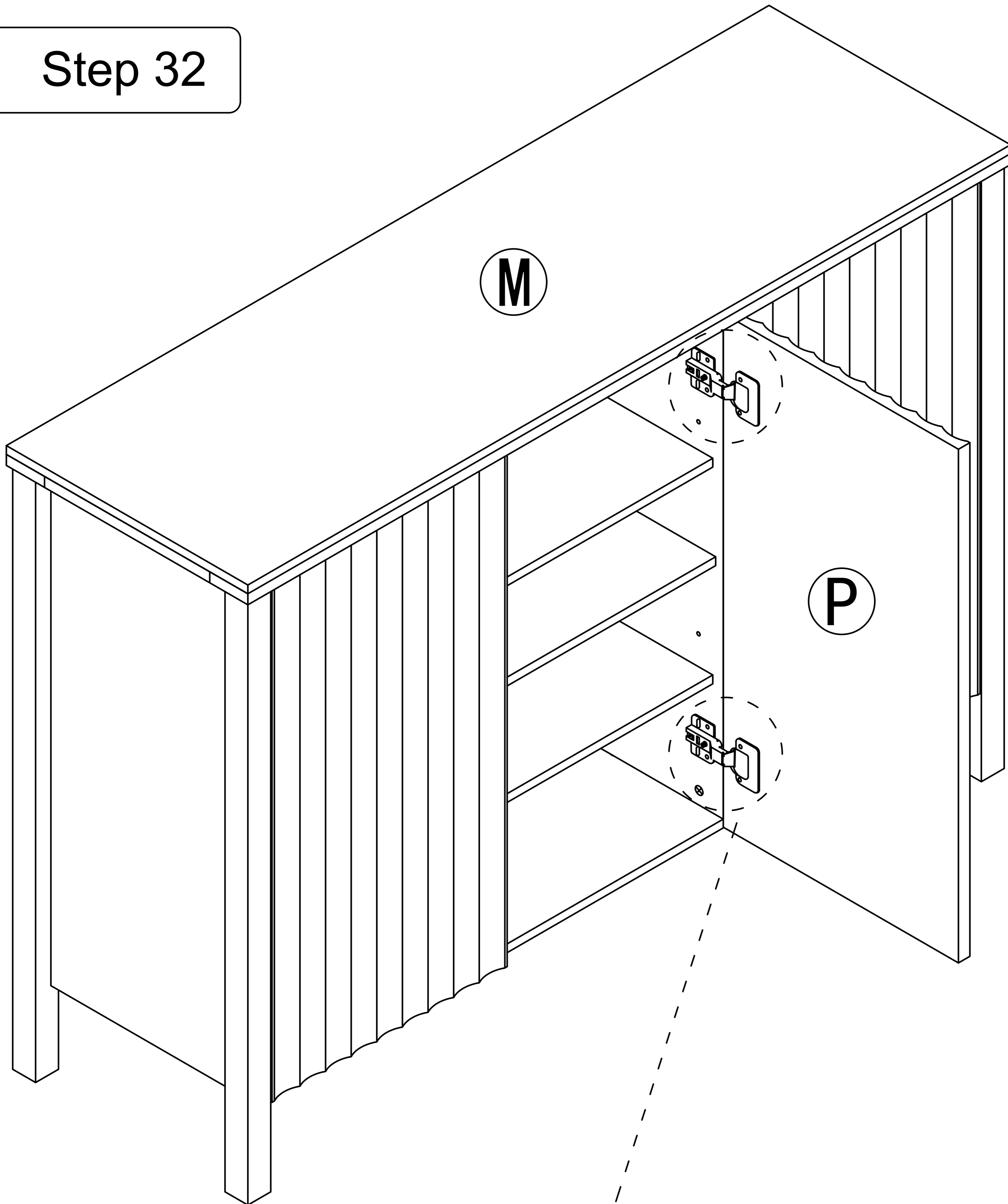


x8

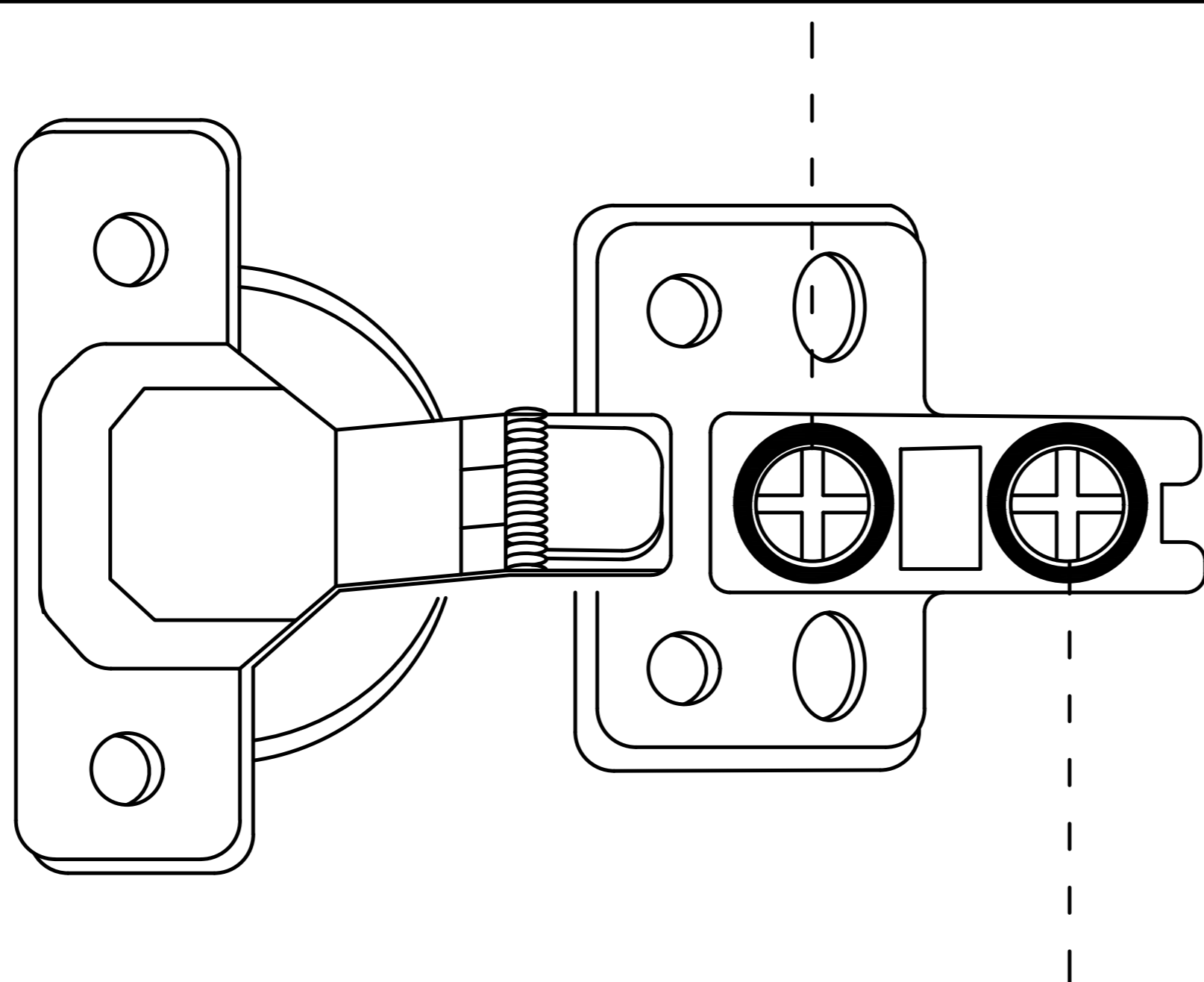


First lock the elliptical hole
then lock the fixed hole

Step 32

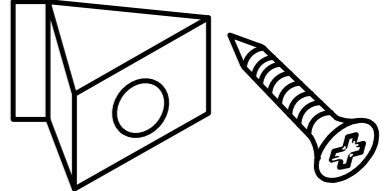


Turning this screw can effectively adjust the size of the door gap.



Turn this screw to adjust the door panel to be flat with the side panel.

Step 33

7  x8

