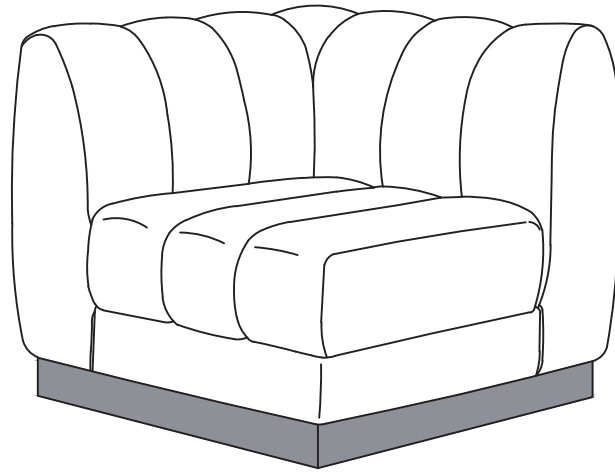
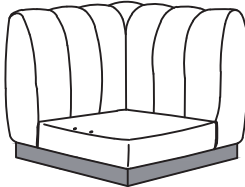
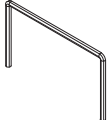
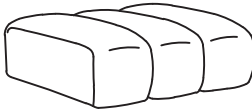


ASSEMBLY INTRUCTION

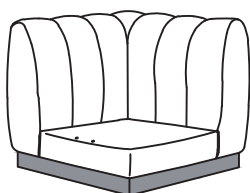


CORNER CHAIR is packed in 1 box

Carton	Disignation	Part		Hardware
CN	Corner Chair Unit	#1		#A x 
	Corner Chair Cushion	#2		

PART

#1 1pc



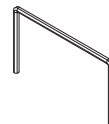
Corner Chair Unit

#2 1pc



Corner Chair Cushion

#A 2 pcs

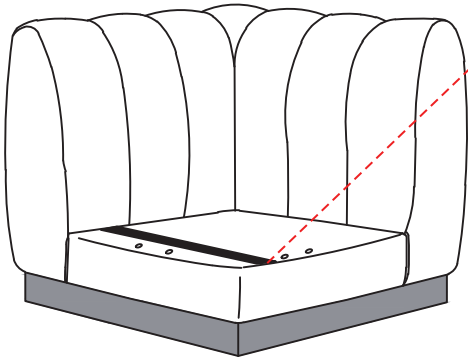


U-link hook

ASSEMBLY INTRUCTION

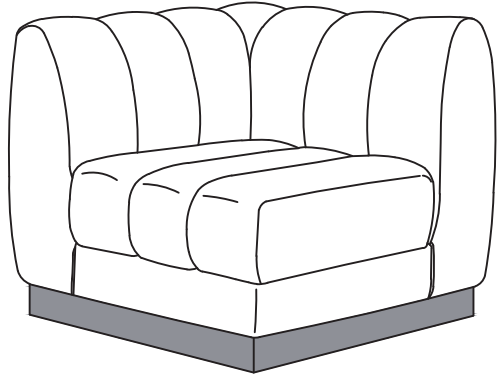
STEP:1

Pull off the Velcro cover on the seat frame

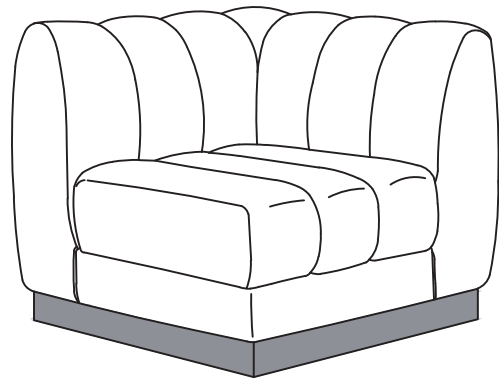


#1

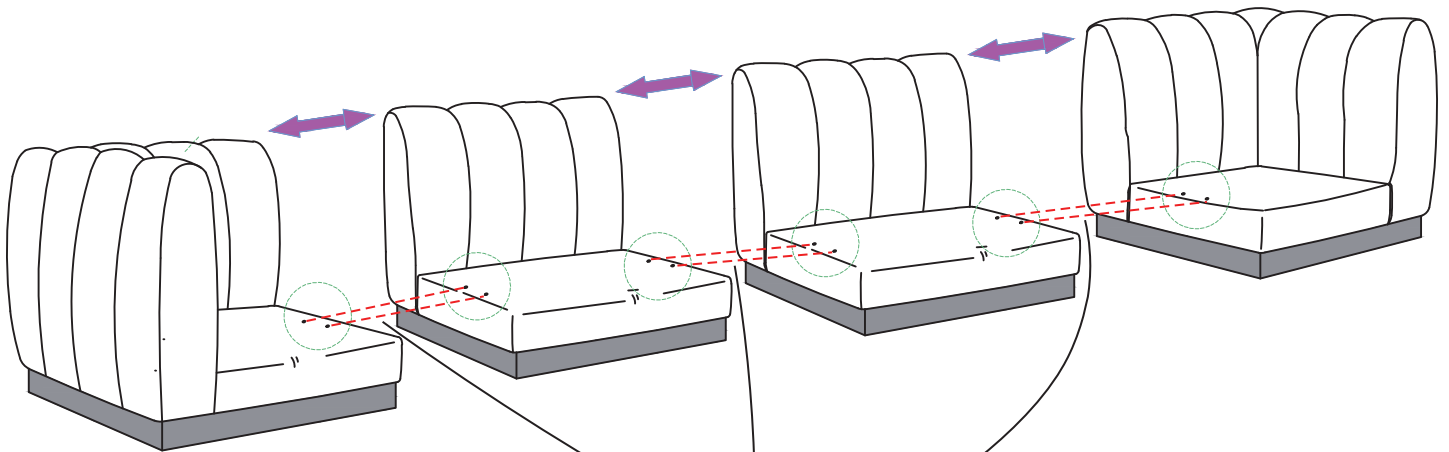
STEP:2 LEFT CORNER CHAIR



STEP:2 RIGHT CORNER CHAIR

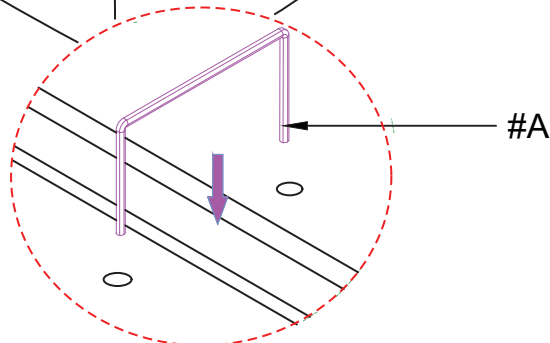


This product is a modular product, need to combine the use of U-shaped iron hook.

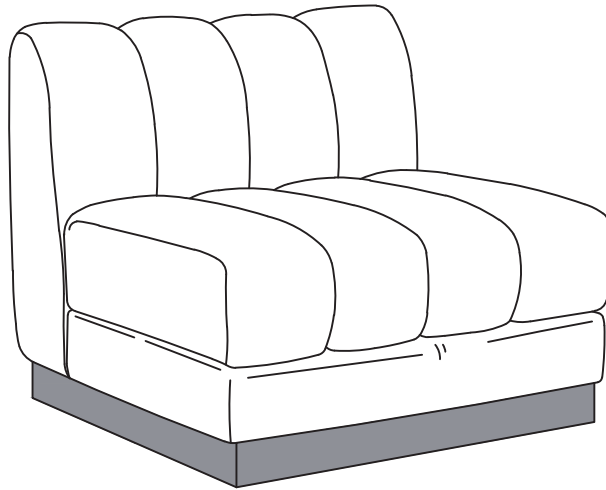


NOTICE

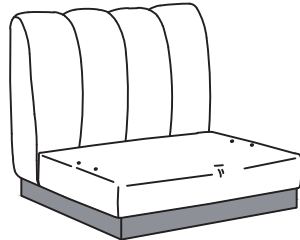
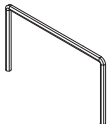
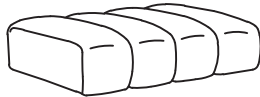
The cushion is placed after the product is connected with a U-shaped iron hook.



ASSEMBLY INTRUCTION

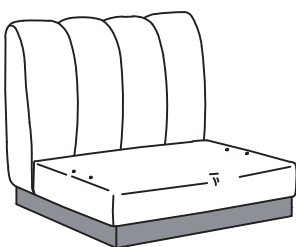


ARMLESS CHAIR is packed in 1 box

Carton	Disignation	Part		Hardware
AC	Armless Chair Unit	#1		#A x 
	Armless Chair Cushion	#2		

PART

#1 1pc



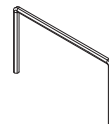
Armless Chair Unit

#2 1pc



Armless Chair Cushion

#A 2 pcs

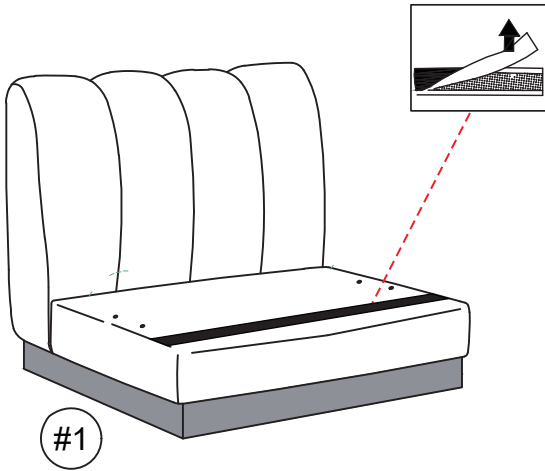


U-link hook

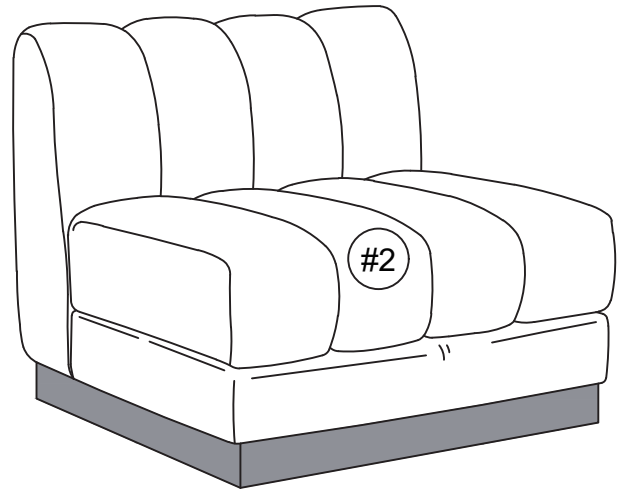
ASSEMBLY INTRUCTION

STEP:1

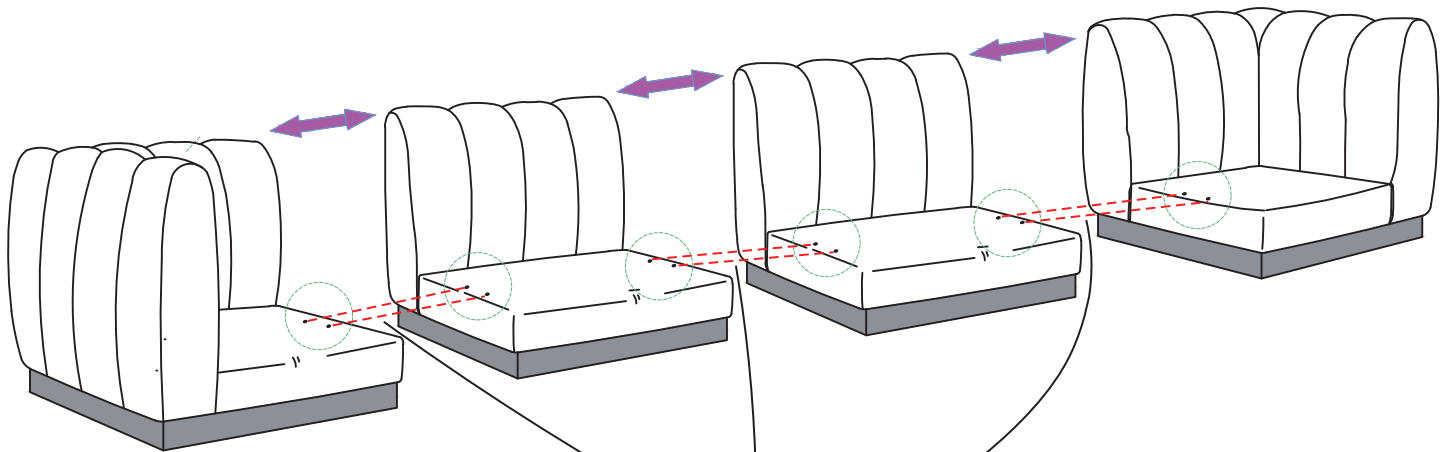
Pull off the Velcro cover on the seat frame



STEP:2



This product is a modular product, need to combine the use of U-shaped iron hook.



NOTICE
The cushion is placed after the product is connected with a U-shaped iron hook.

