

# *ASSEMBLY INSTRUCTIONS*



*Fine Furniture for every stage of life*

*END TABLE*

# ASSEMBLY INSTRUCTIONS

## ASSEMBLY TIPS:

1. Remove hardware from box and sort by size.
2. Please check to see that all hardware and parts are present prior to start of assembly.
3. Please follow attached instructions in the same sequence as numbered to assure fast & easy assembly.



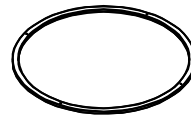
### WARNING!

1. Don't attempt to repair or modify parts that are broken or defective. Please contact the store immediately.
2. This product is for home use only and not intended for commercial establishments.

ASSEMBLY TIME 35 MINUTES

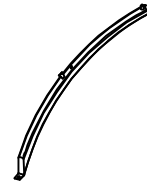
## PARTS IDENTIFICATION

A TOP FRAME



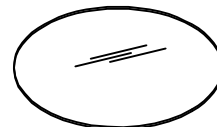
1PC

B LEG



4PCS

C TOP GLASS



1PC

Z

## HARDWARE IDENTIFICATION

1 ALLEN WRENCH  
(4mm)



1PC

2 ALLEN BOLT  
(1/4" x 2" GD)



4PCS

3 SMALL ALLEN BOLT  
(1/4" x 1/2" GD)



4PCS

4 FLOOR LEVELER  
(1/4" x 5/8")



4PCS

5 SUCTION CUP  
(8mm)



4PCS

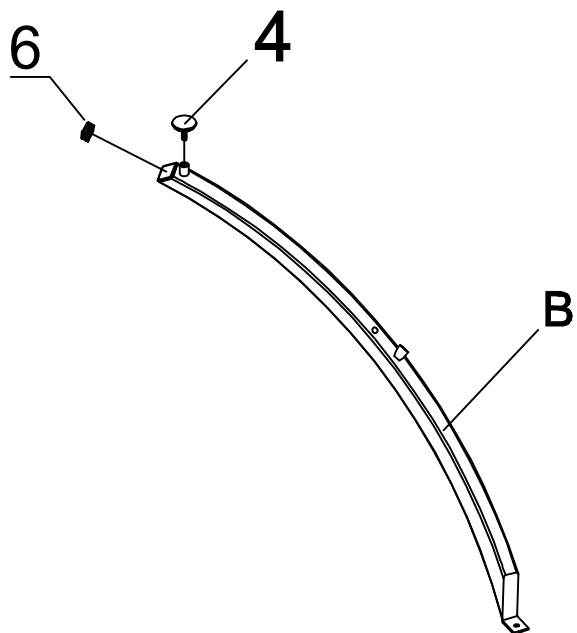
6 CAP  
(20 x 40 mm GD)



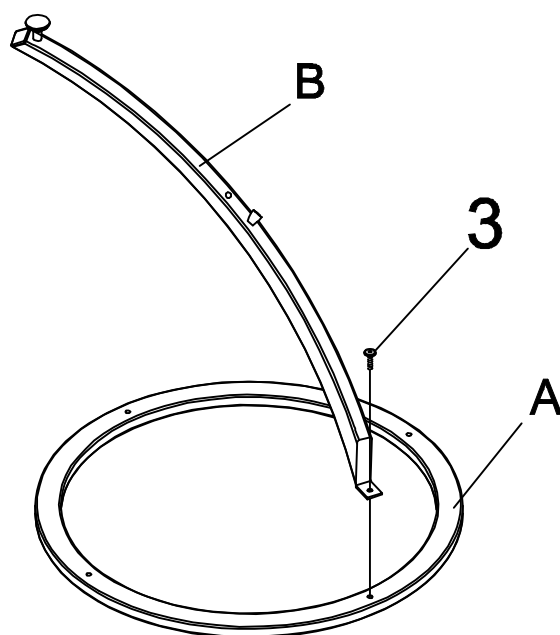
4PCS

# ASSEMBLY INSTRUCTIONS

**STEP 1** Do not tighten until each step is completed or instructed.

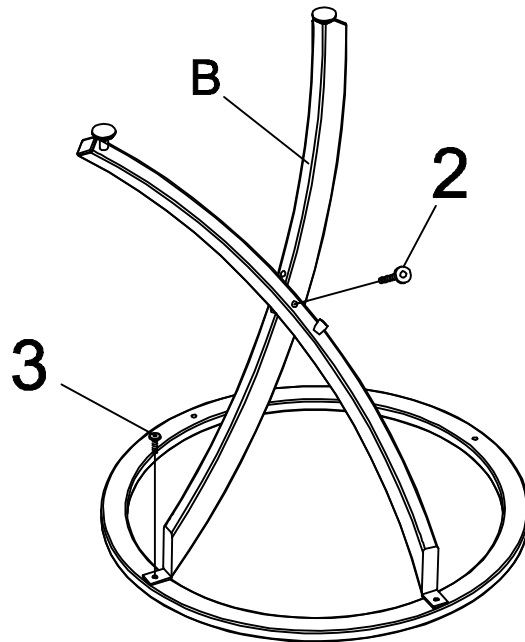


## STEP 2

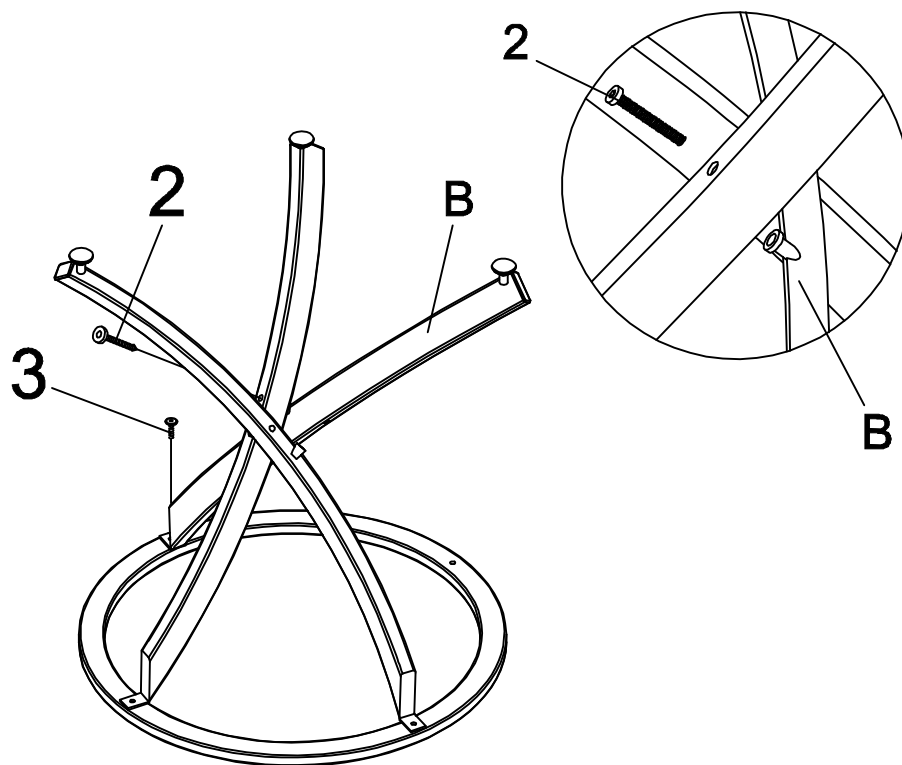


# ASSEMBLY INSTRUCTIONS

## STEP 3

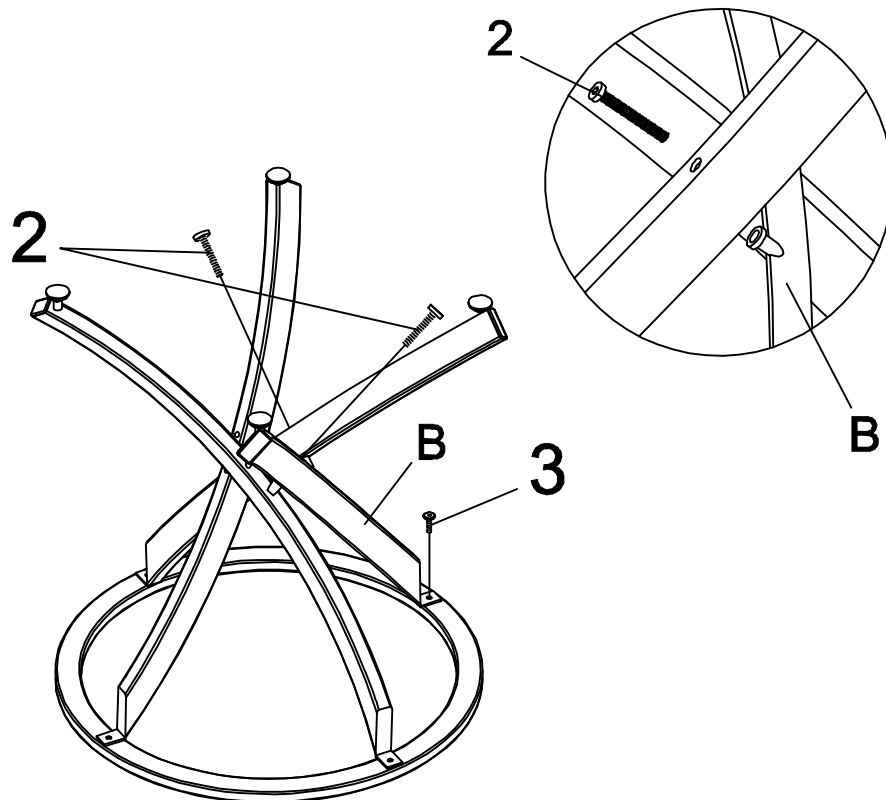


## STEP 4

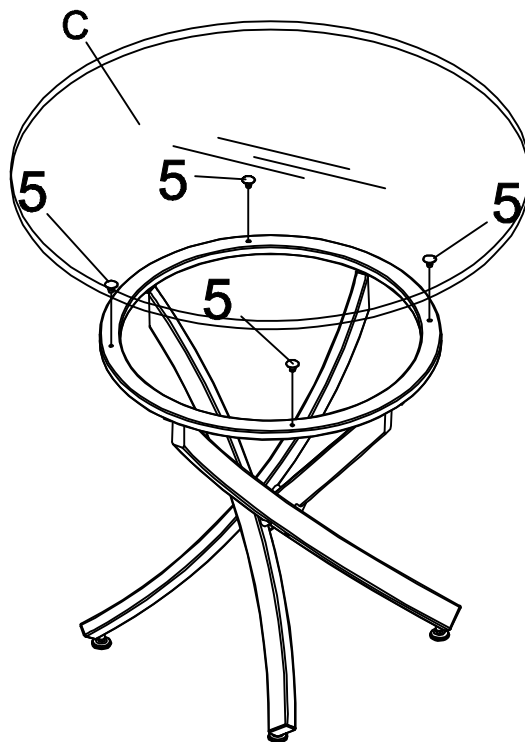


# ASSEMBLY INSTRUCTIONS

## STEP 5



## STEP 6

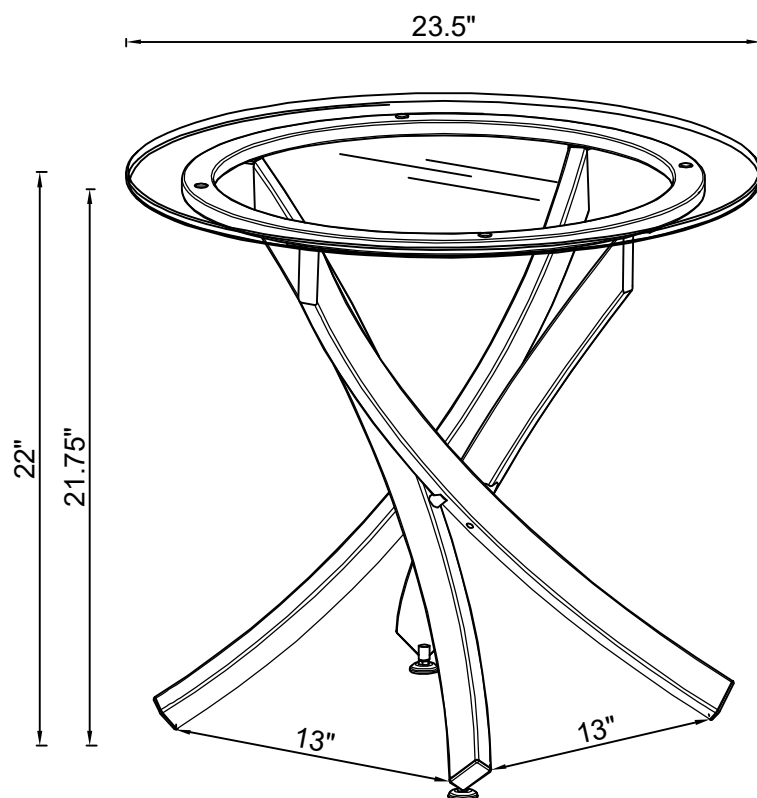


COMPLETE



# ASSEMBLY INSTRUCTIONS

<b>Product Size : 600 X 600 X 558 H (MM)</b>
<b>Product Size : 23 ½" X 23 ½" X 22"</b>



Note : Dimension tolerance  $\pm 5\%$