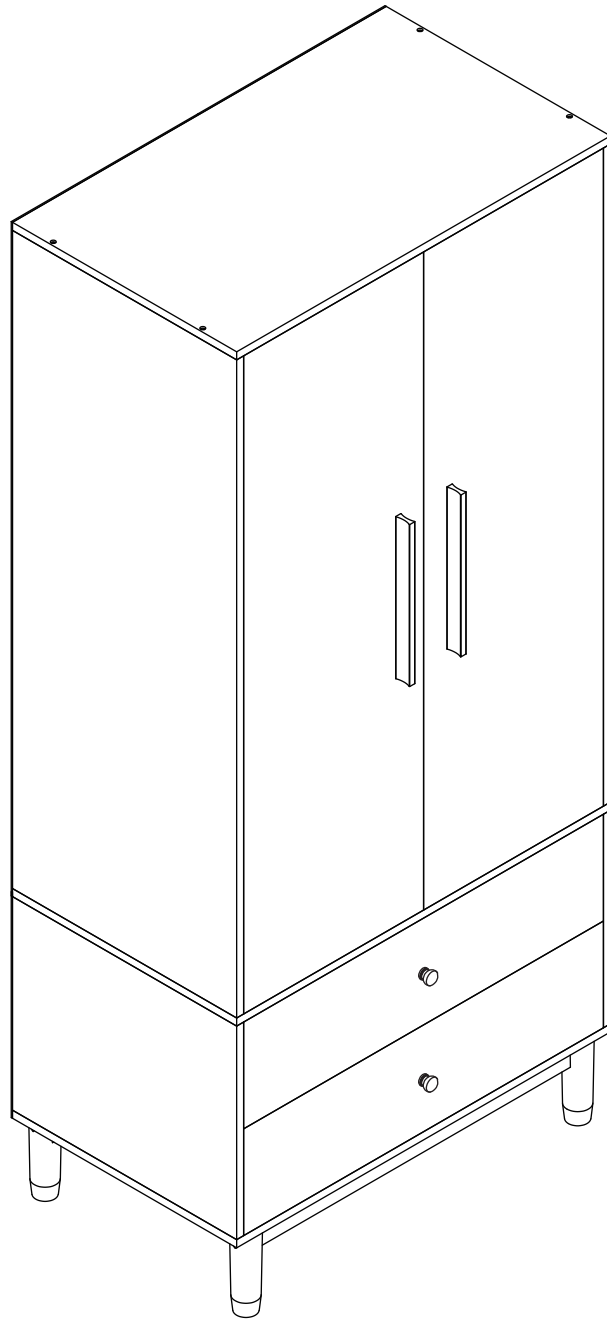
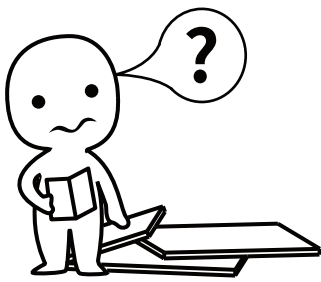


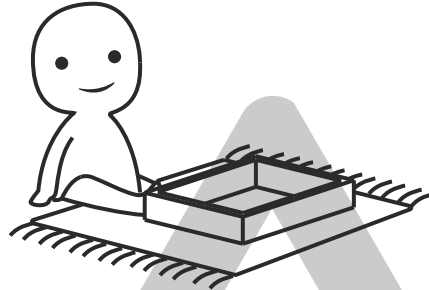
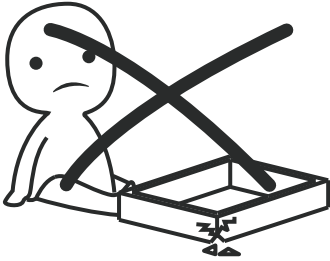
# Wardrobe





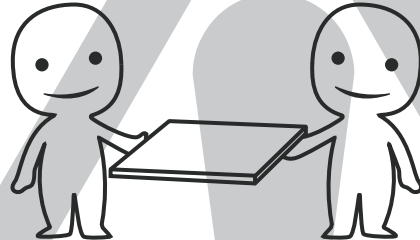
### **IMPORTANT INFORMATION!**

please read the entire manual before starting to assemble and/or using this product. follow the manual thoroughly and keep it for further reference.



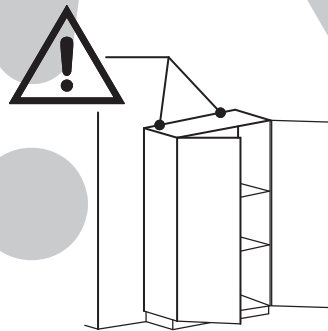
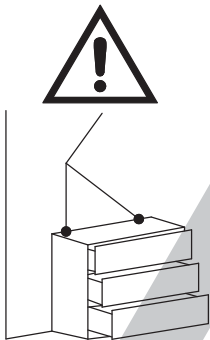
### **AVOID SCRATCHES!**

In order to avoid scratching this furniture should be assembled on a soft layer- could be a rug.



### **IMPROVE EFFICIENCY !**

Try to find a partner to install with you, which can speed up the installation efficiency and shorten the time.



### **ANTI-TOPPLE WARNING !**

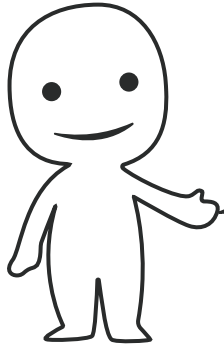
Overtured furniture can cause serious or fatal crush injuries. To prevent tipping over, be sure to use the wall attachment, if not included with this product. Please purchase the wall attachment that fit your wall. If unsure, seek professional advice. Please read and follow each step of the instructions carefully.

### **IMPORTANT !**

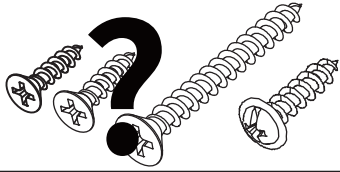
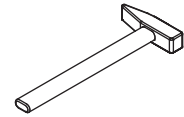
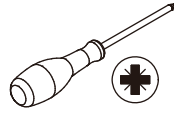
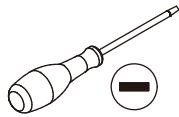
It is important that any product which is assembled using any kind of screw is re-tightened 2 weeks after assembly, and once every 3 months - in order to assure stability through-out the lifespan of the product.

For regular maintenance and cleaning of the product, for the frame, please use a rag dipped in neutral detergent to fully wipe it, and then dry it with a clean rag. For glass materials, wipe with a rag dampened with water glass cleaner, and then dry with a dry rag.

Do not use an electric screwdriver, and do not use too much force when installing, because the board is easy to break.

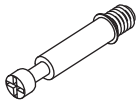


Please prepare the following tools



When installing, please carefully confirm whether each screw corresponds to the manual, accessories with similar shapes can be distinguished by size

Ax18



Ø6x35mm

Bx18



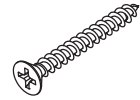
Ø15x10mm

Cx24



Ø6x30mm

Dx18



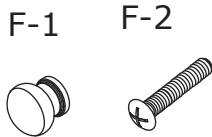
Ø4x35mm

Ex24



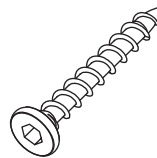
Ø3x12mm

Fx2



Ø4x20mm

Gx12



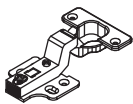
Ø5x40mm

Hx4

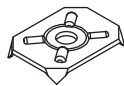


380mm

Jx4



Kx4

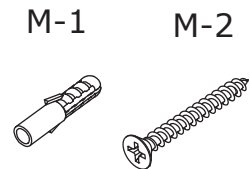


Lx24



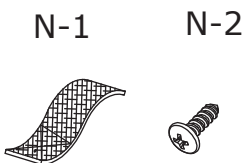
Ø3.5x14mm

Mx2

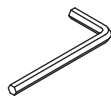


Ø4x35mm

Nx2



Px1

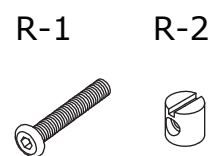


Ø4mm

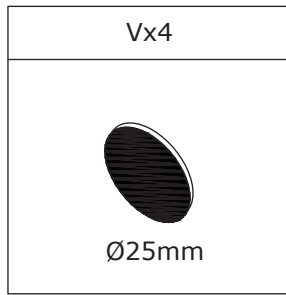
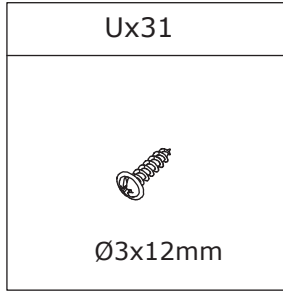
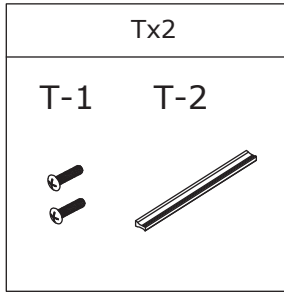
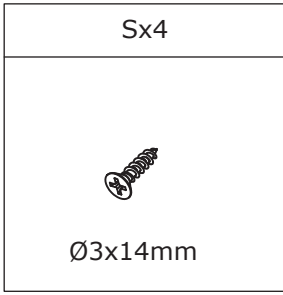
Qx2

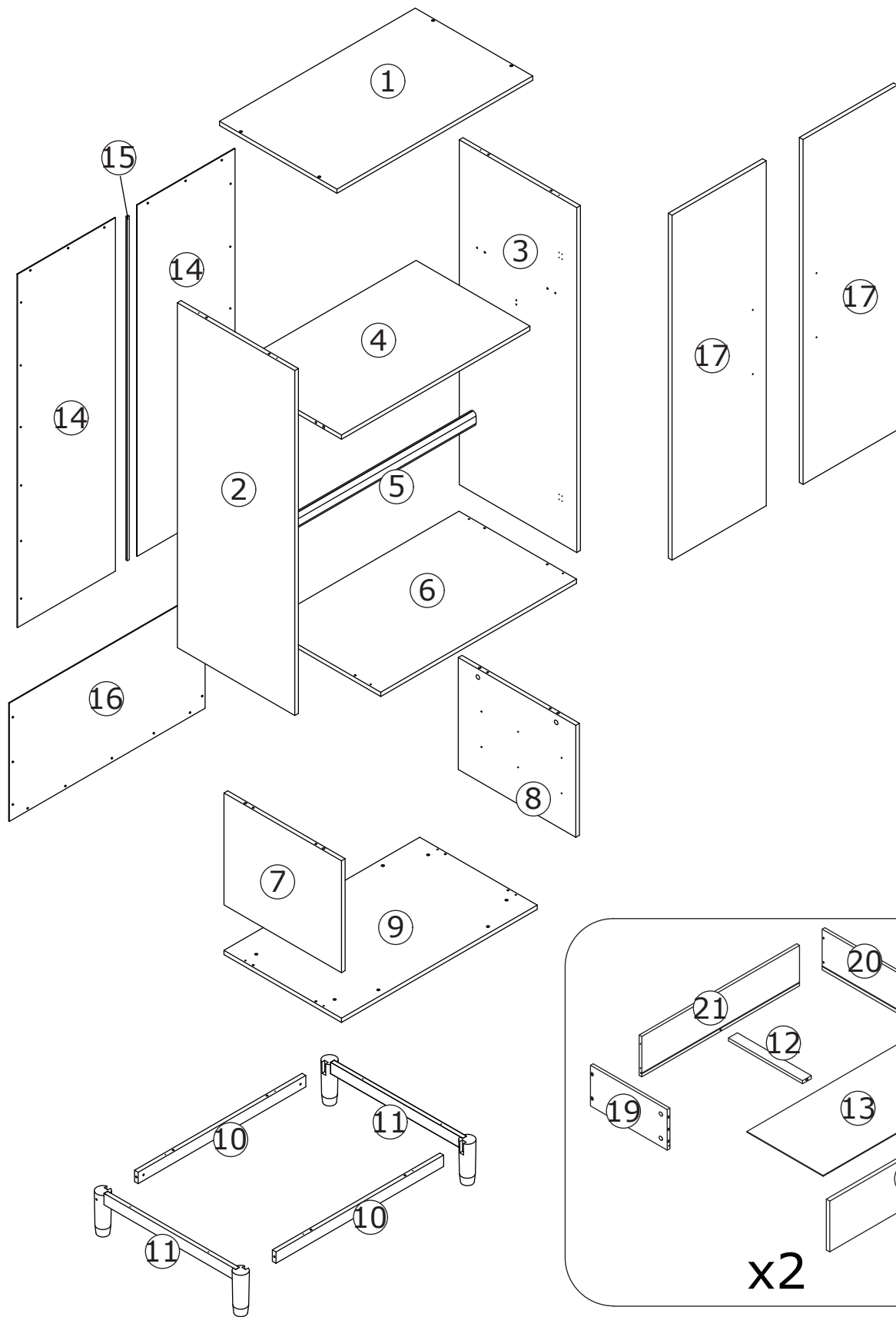


Rx4



Ø10x12mm

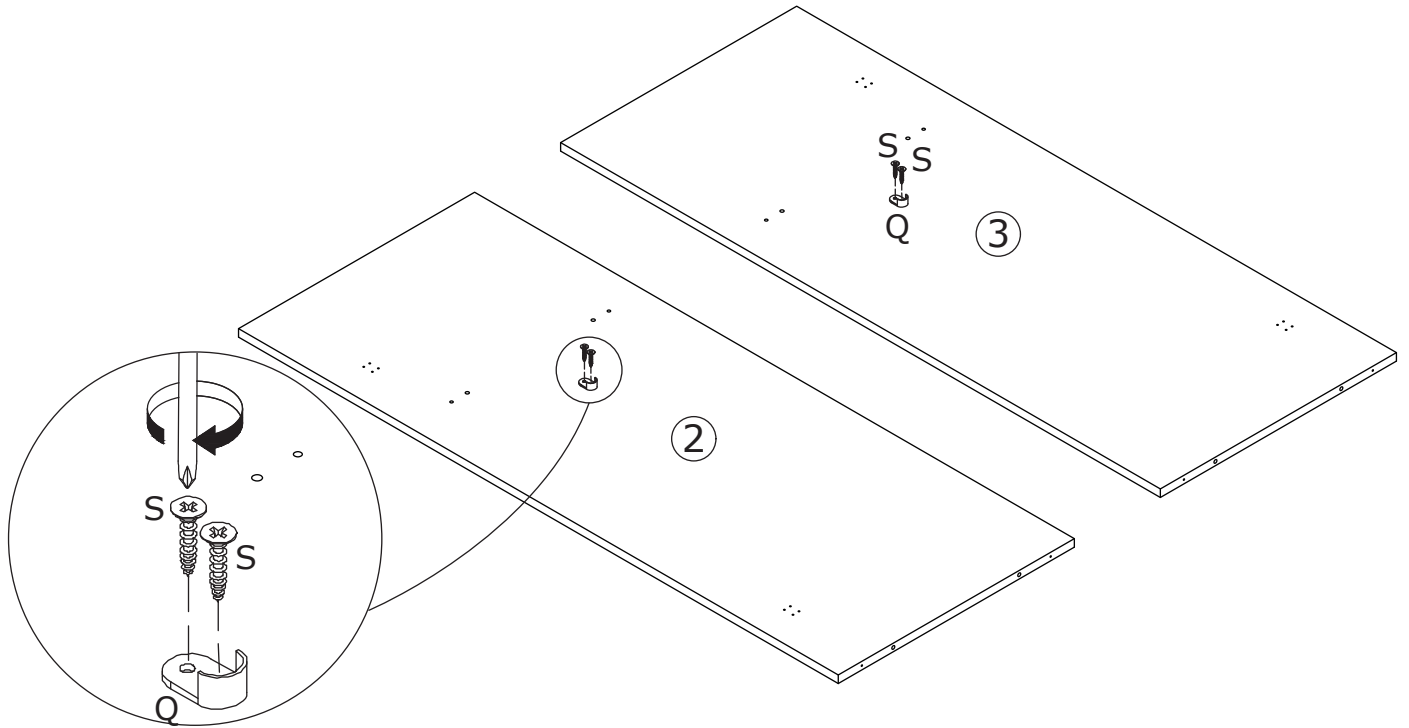




1



Fix Q using screw S to panel 2&3.

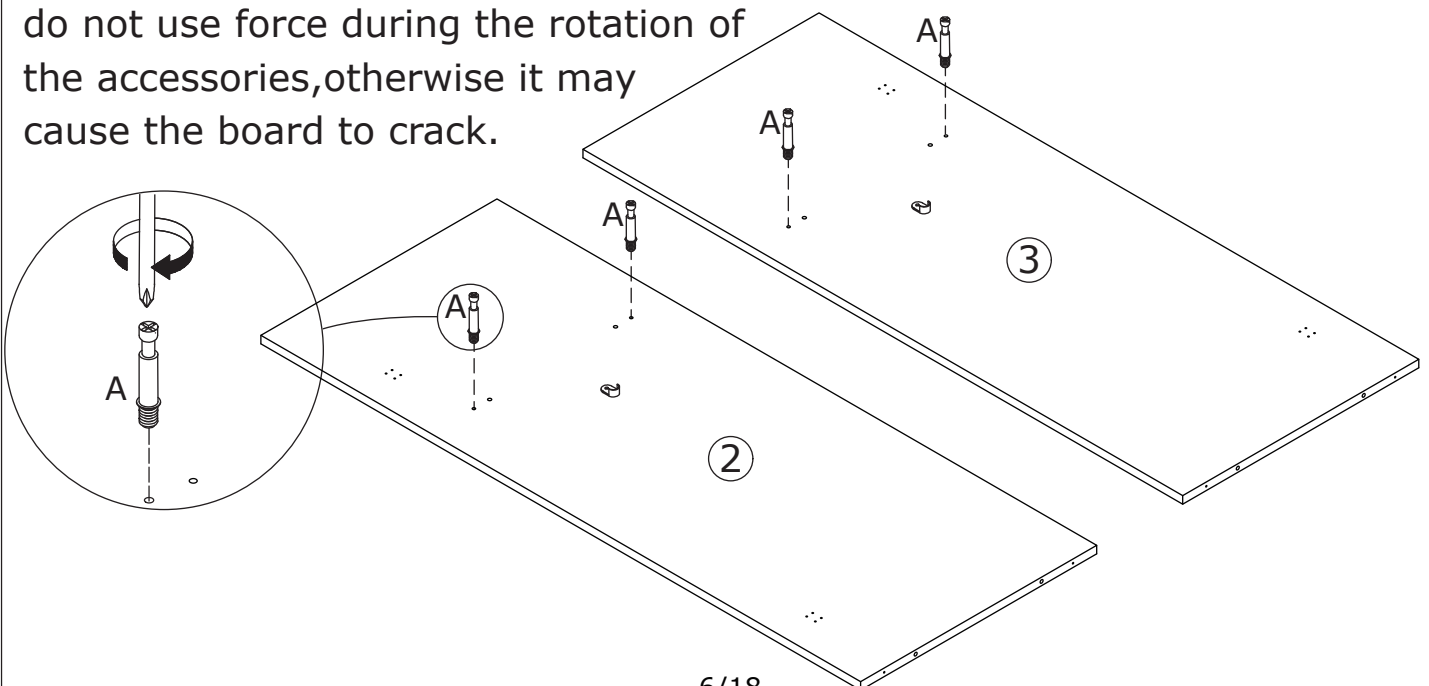
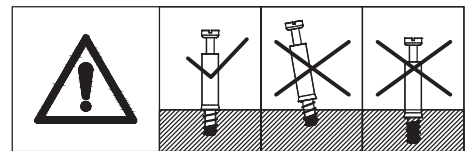


2



Insert quickfit screw A to corresponding holes in panel 2&3.

Please note do not use an electric screwdriver, do not use force during the rotation of the accessories, otherwise it may cause the board to crack.

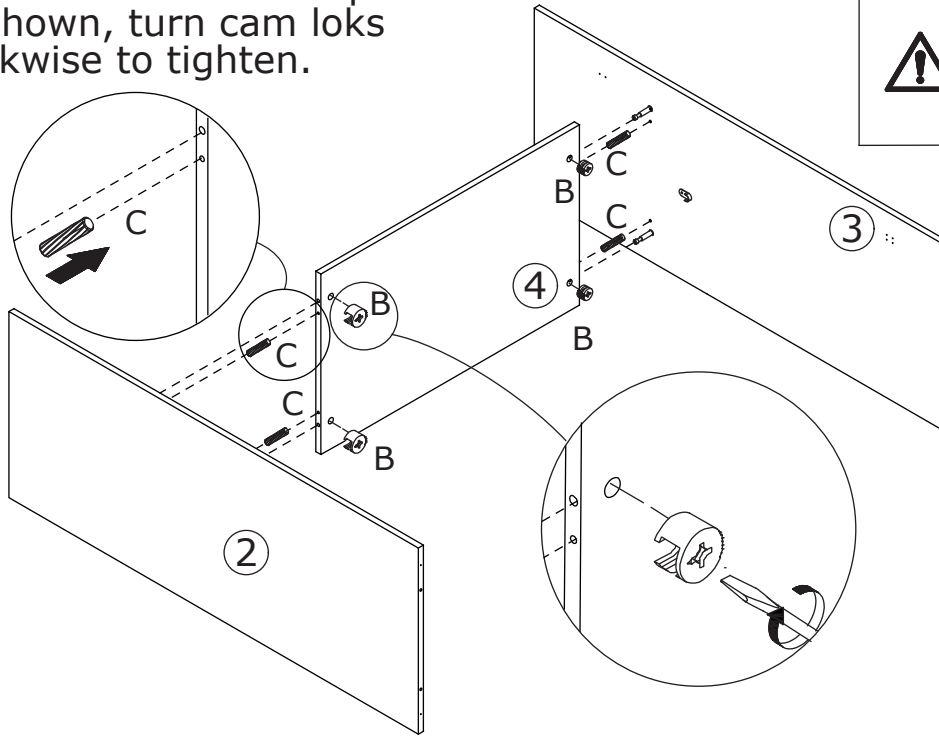
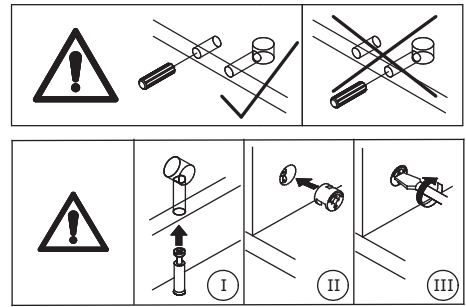


3




Bx4  Ø15x10mm	Cx4  Ø6x30mm	 B
------------------------------------------------------------------------------------------------------	-----------------------------------------------------------------------------------------------------	------------------------------------------------------------------------------------------

Please pay attention to the holes where the accessories are inserted

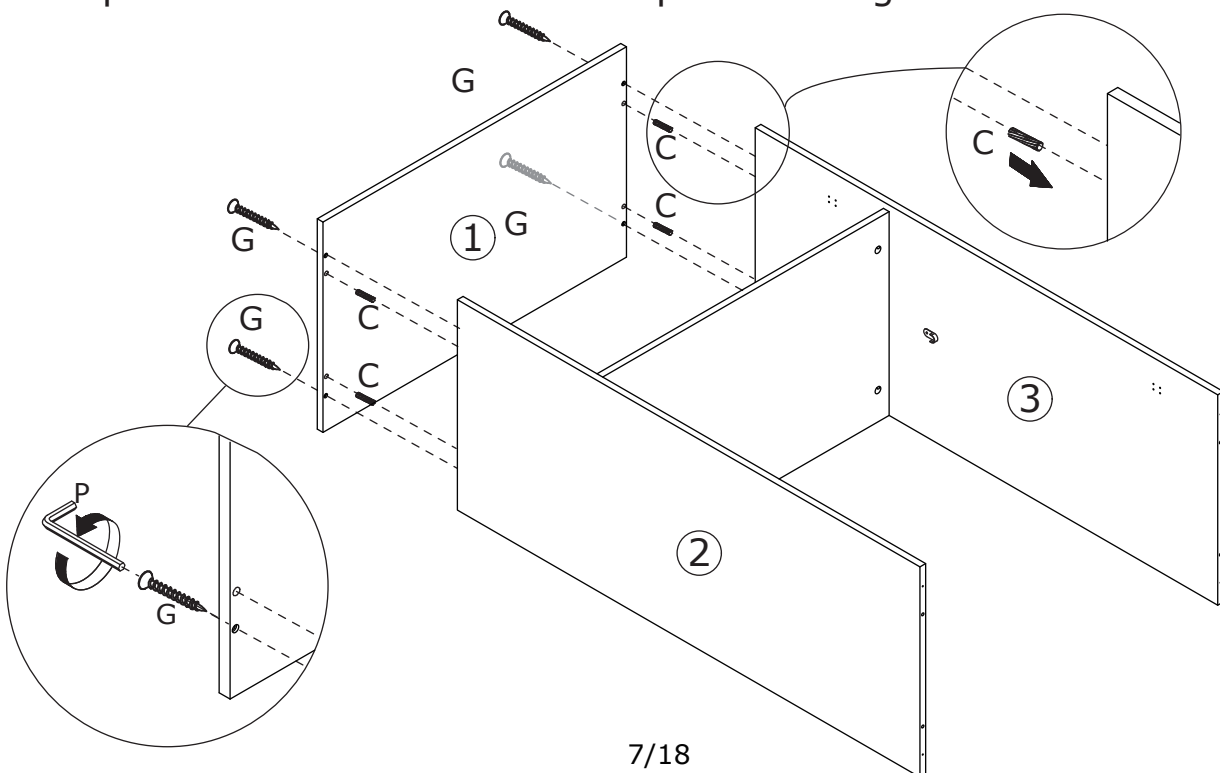
Attach part 4 to part 2 and 3, insert cam lock B into part 4 as shown, turn cam locks clockwise to tighten.



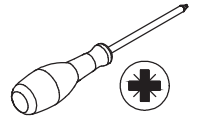
4

Cx4  Ø6x30mm	Gx4  Ø5x40mm	Px1  Ø4mm	
-------------------------------------------------------------------------------------------------------	-------------------------------------------------------------------------------------------------------	----------------------------------------------------------------------------------------------------	--

Attach panel 1 to the assembled component using screw G.

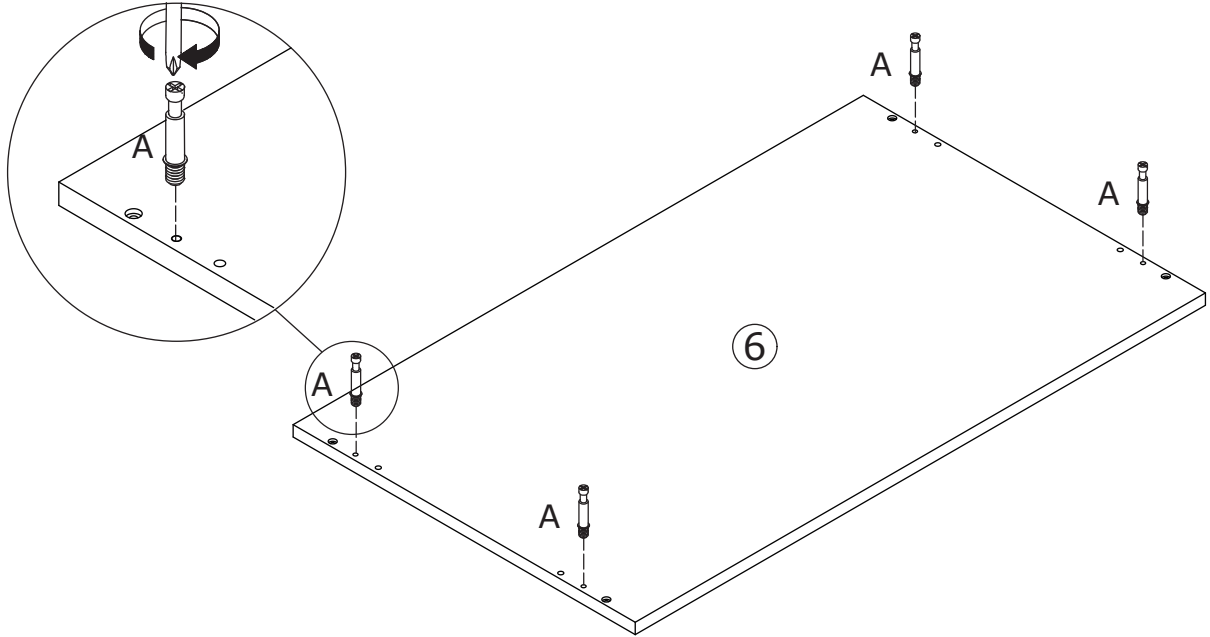
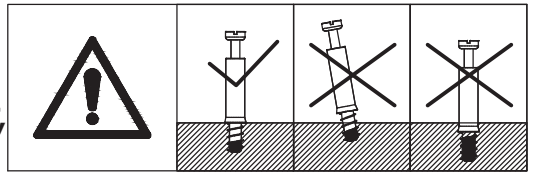


5

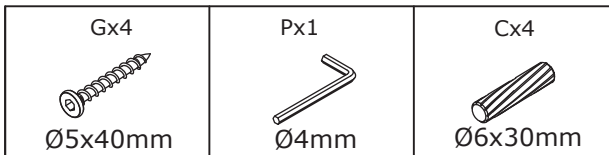


Insert quickfit screw A to corresponding holes in panel 6.

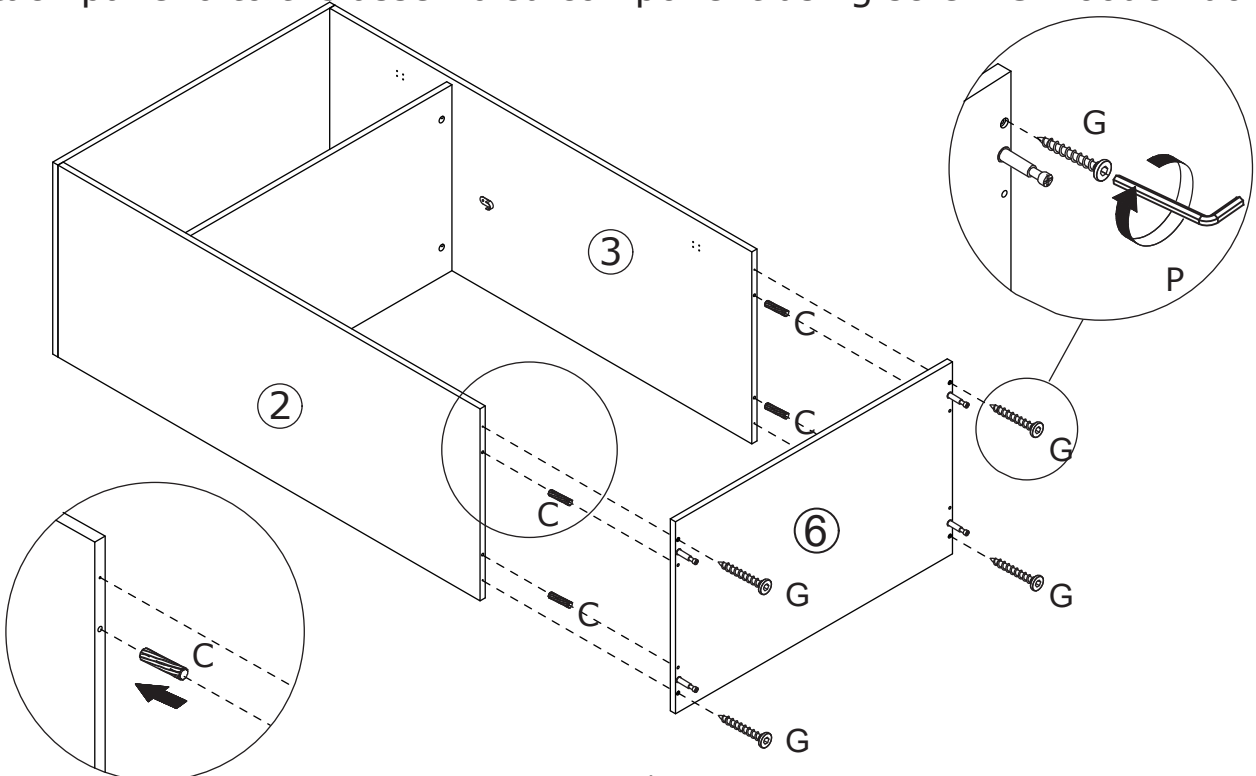
Please note do not use an electric screwdriver, do not use force during the rotation of the accessories, otherwise it may cause the board to crack.





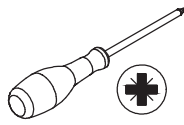
6

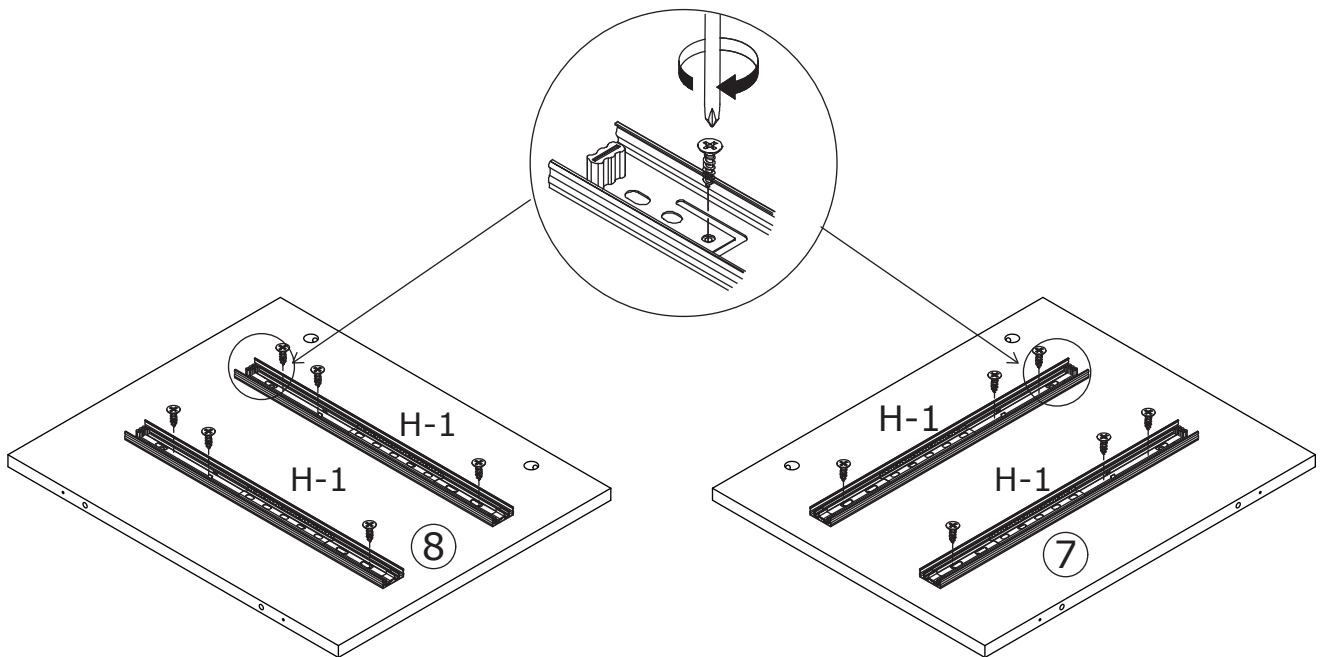
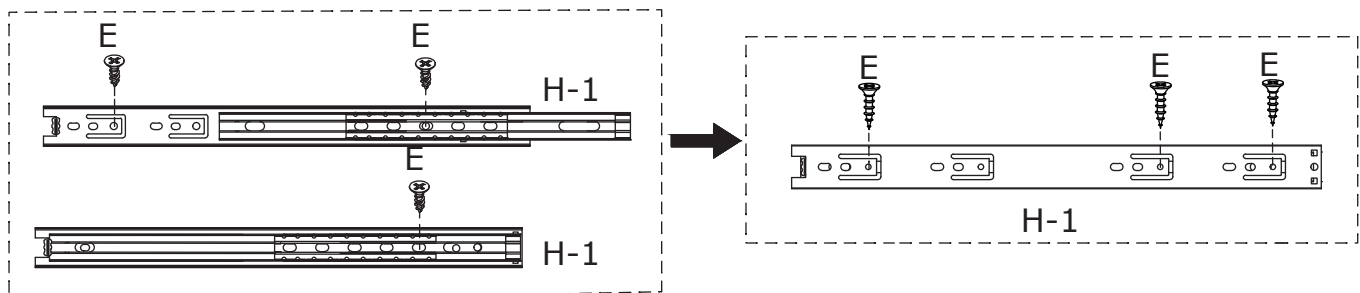
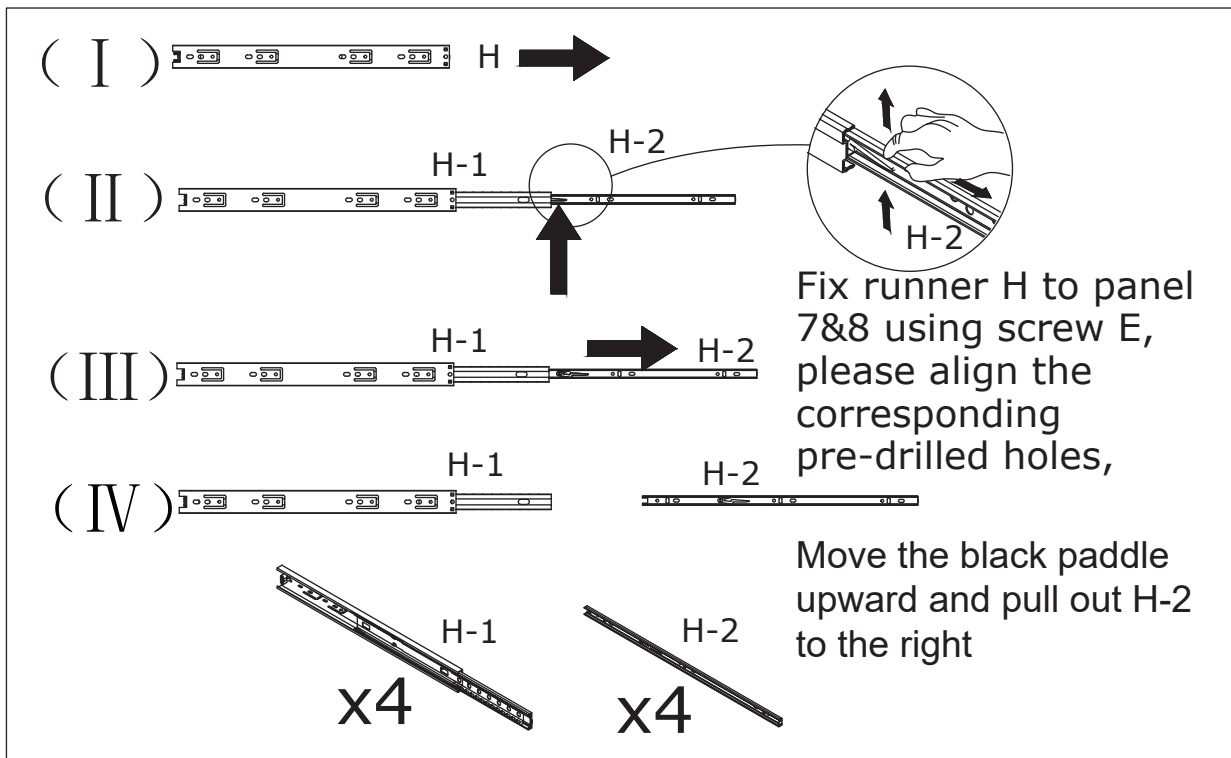


Attach panel 6 to the assembled component using screw G wooden dowel C.



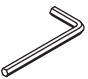


7

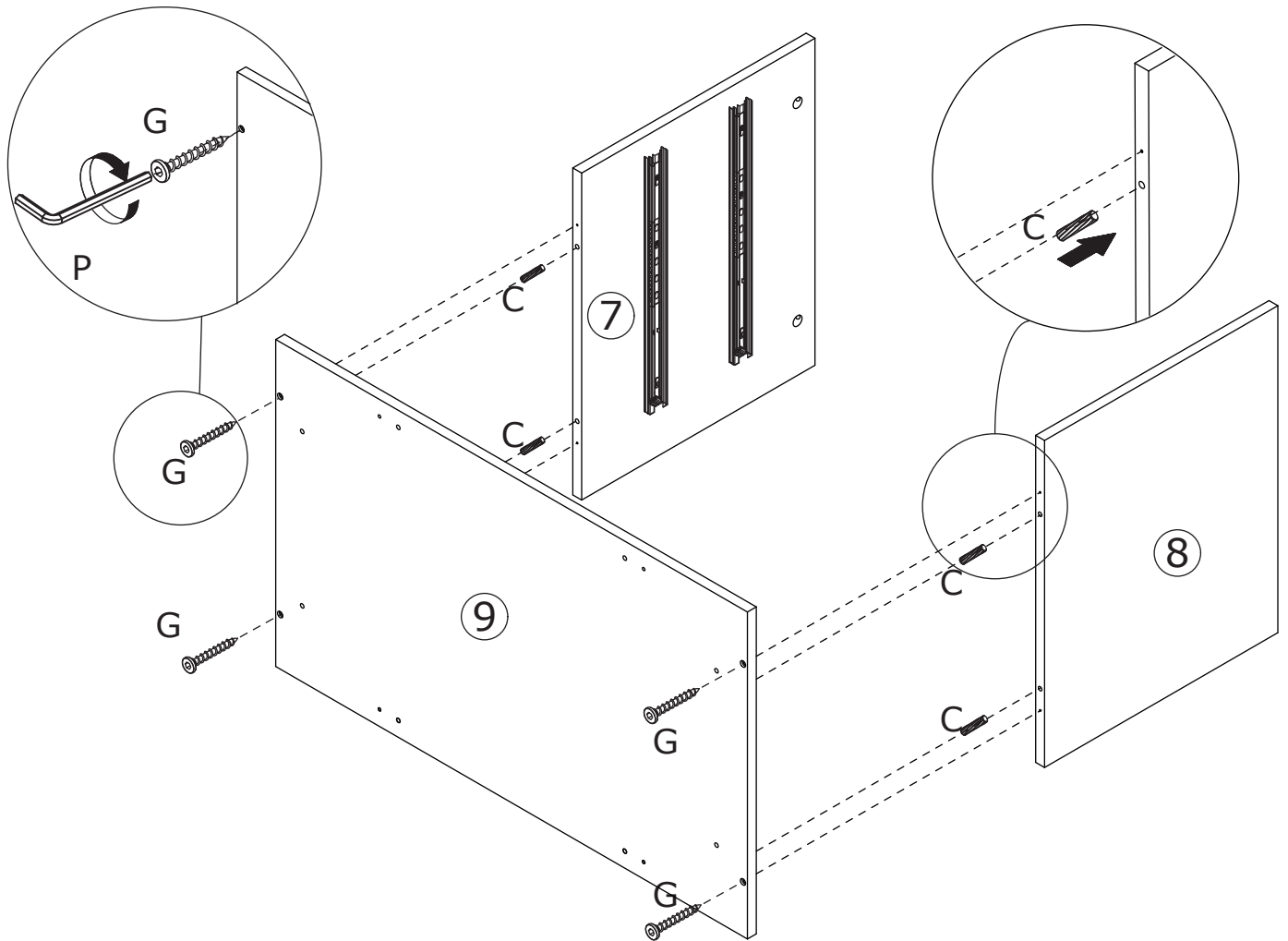
Ex12  Ø3x12mm	Hx4  380mm	
------------------------------------------------------------------------------------------------------	---------------------------------------------------------------------------------------------------	-------------------------------------------------------------------------------------



8

Cx4  Ø6x30mm	Gx4  Ø5x40mm	Px1  Ø4mm	
-----------------------------------------------------------------------------------------------------	-----------------------------------------------------------------------------------------------------	--------------------------------------------------------------------------------------------------	--

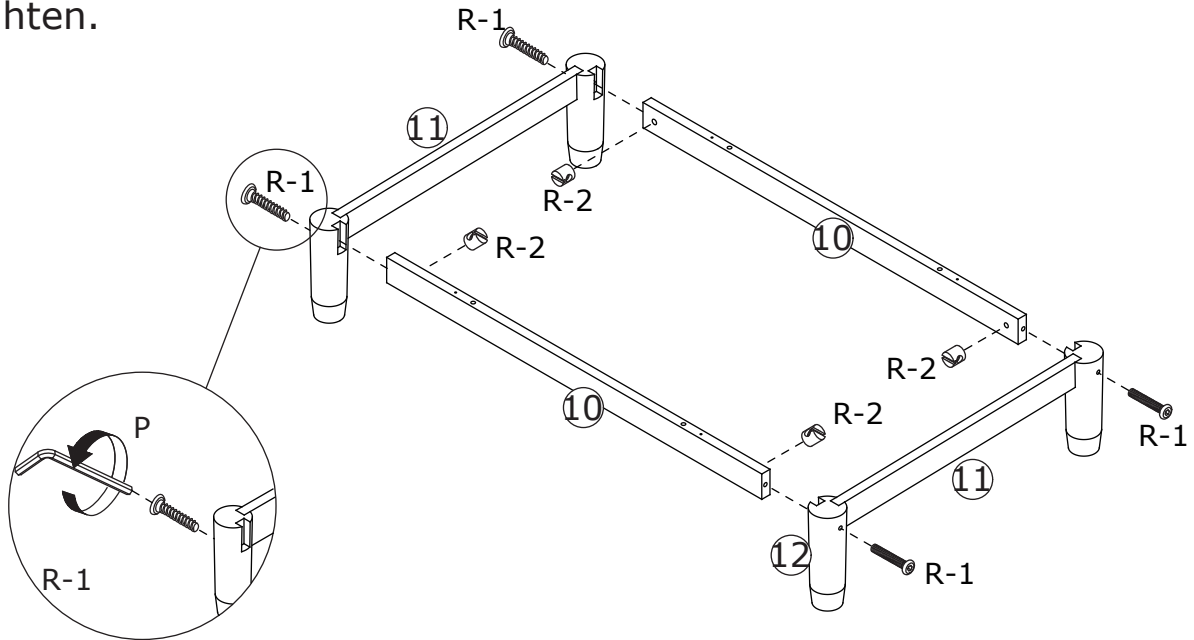
Attach panel 9 to panel 7&8 using screw G wooden dowel C



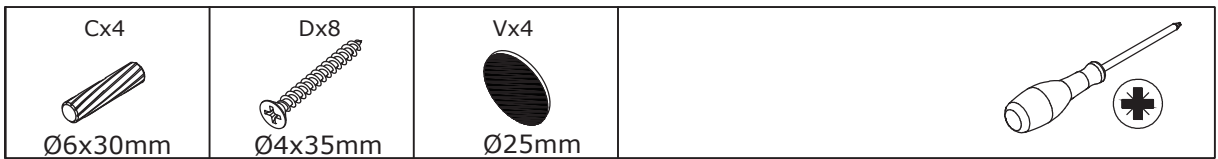
9



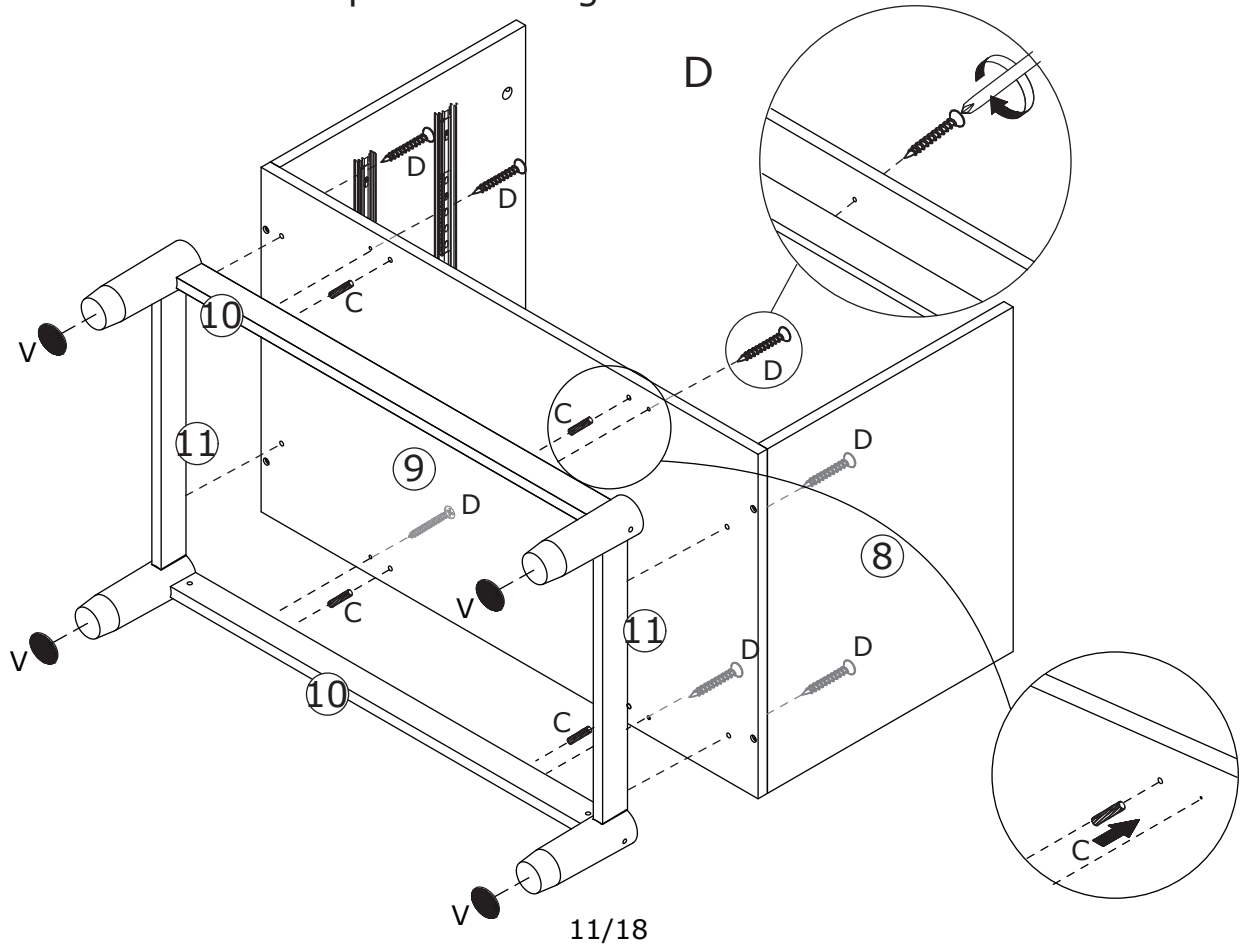
Insert panel 11&10 into the groove of the wooden leg 12 at first. Then use hardware R-1 to fix the part, turn cam locks R-2 clockwise to tighten.



10



Attach base frame to panel 9 using screw G wooden dowel C.



# 11

Bx4

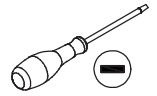


Ø15x10mm

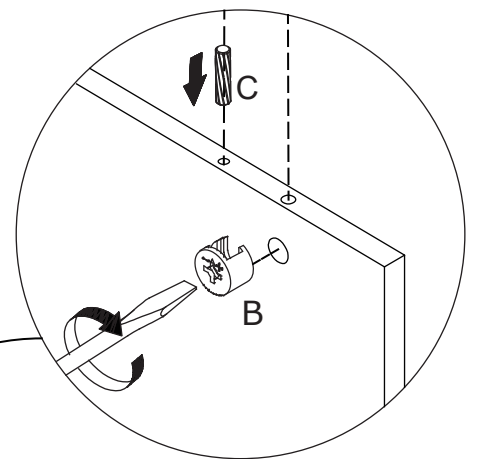
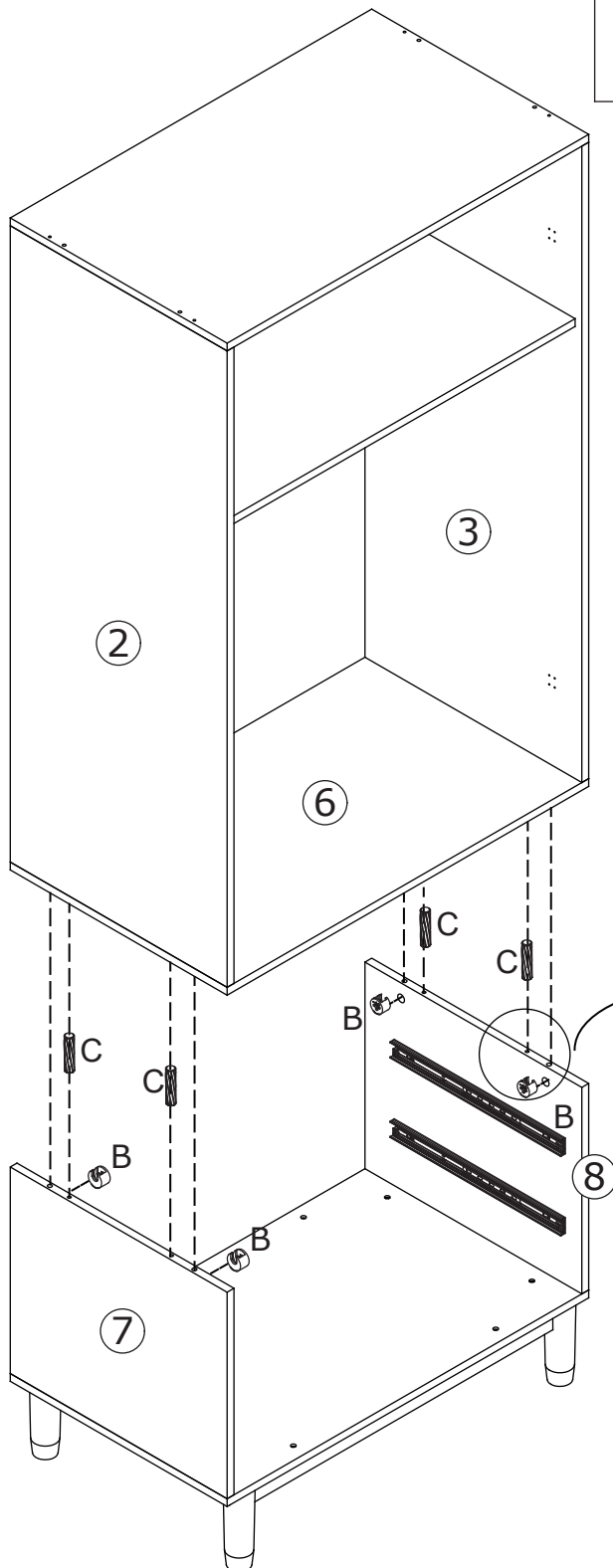
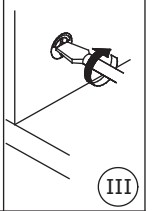
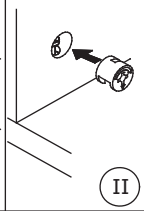
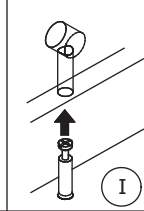
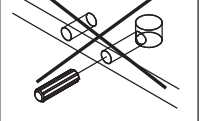
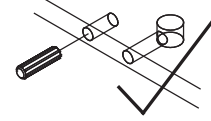
Cx4



Ø6x30mm

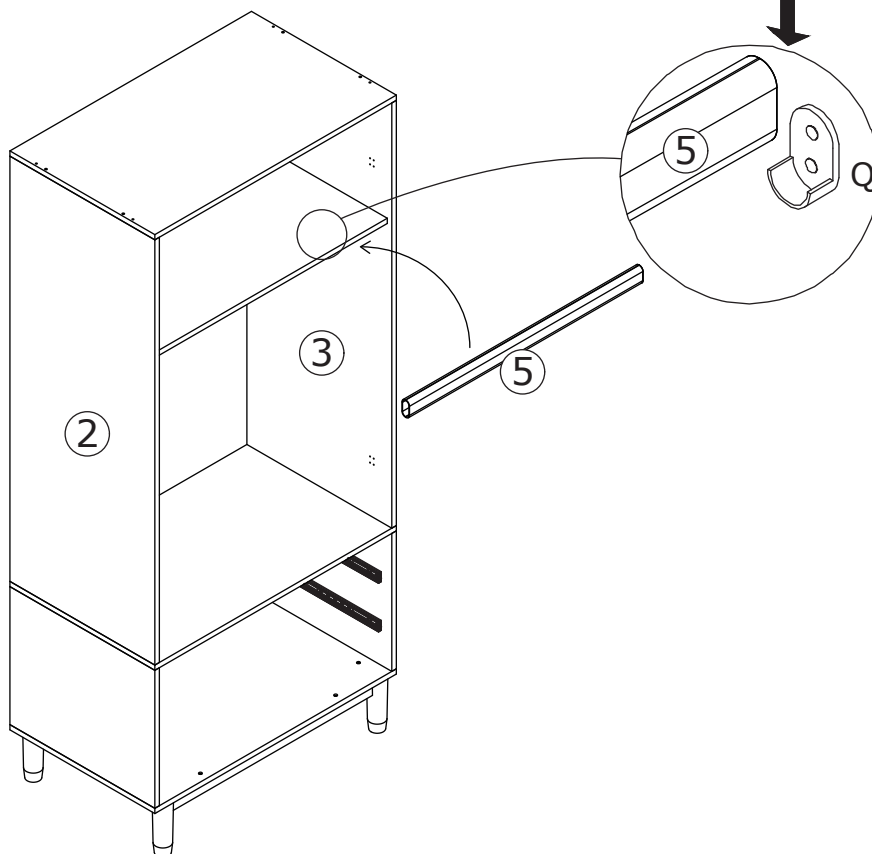


Attach 2 components using wooden dowel C, then turn cam locks B clockwise to tighten. Please pay attention to the holes where the accessories are inserted.





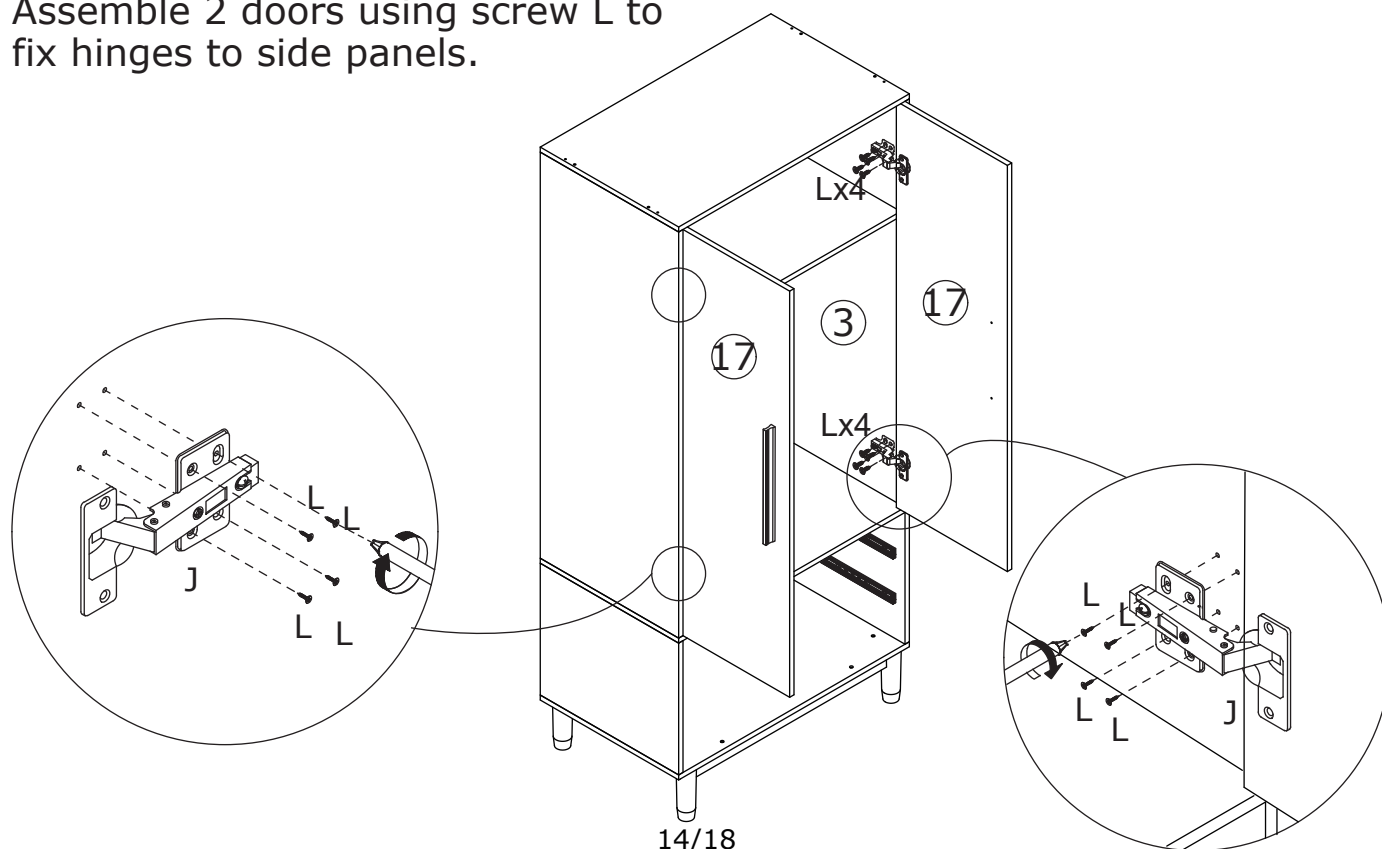
14







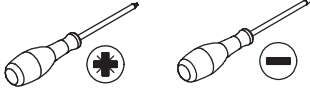
15



Assemble 2 doors using screw L to fix hinges to side panels.



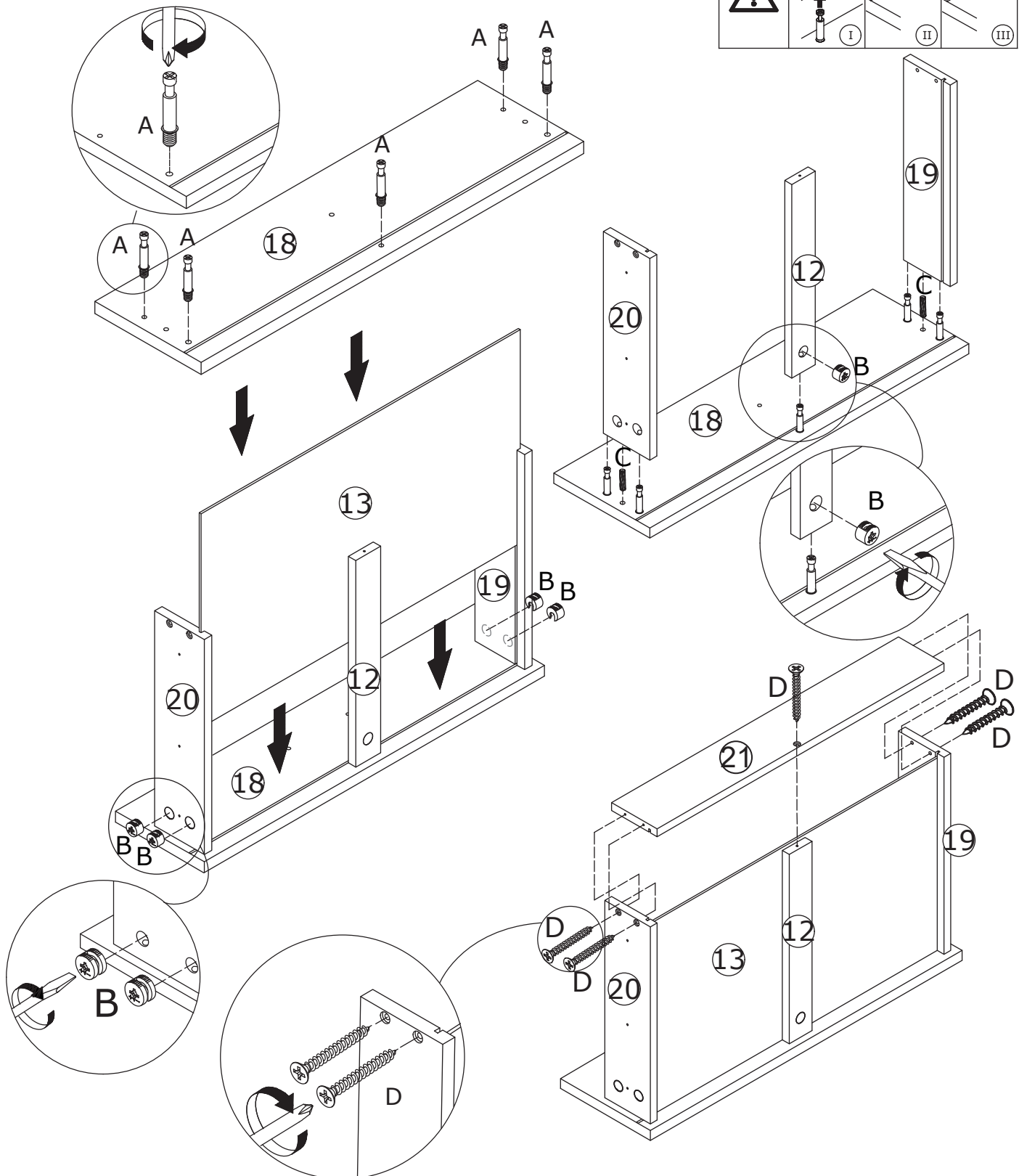
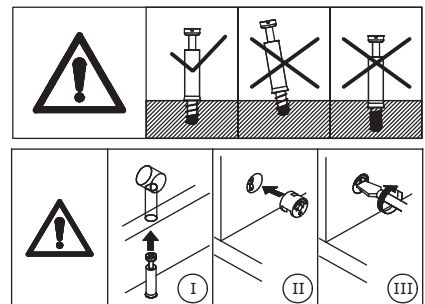
# 16

<p>Ax10            Ø6x35mm</p>	<p>Bx10            Ø15x10mm</p>	<p>Cx4            Ø6x30mm</p>	<p>Dx10            Ø4x35mm</p>	
-------------------------------------------------------------------------------------------------------------------------	--------------------------------------------------------------------------------------------------------------------------	------------------------------------------------------------------------------------------------------------------------	--------------------------------------------------------------------------------------------------------------------------	-------------------------------------------------------------------------------------





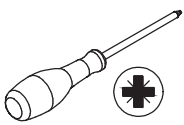

Do not use an electric screwdriver, do not use force during the rotation of the accessories, otherwise it may cause the board to crack

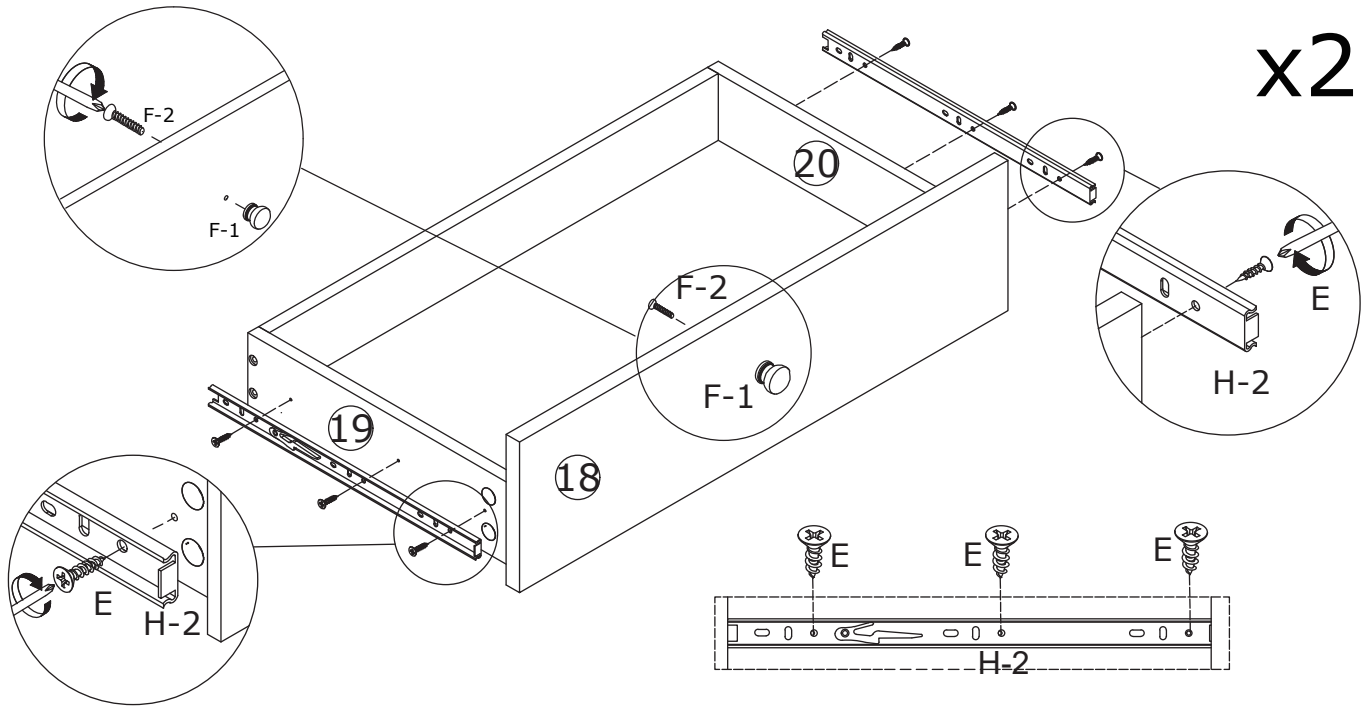
Attach part 20 and 12 and 19 to part 18, insert cam lock B into part 12 and 20 and 19 as shown, turn cam locks clockwise to tighten.

x2

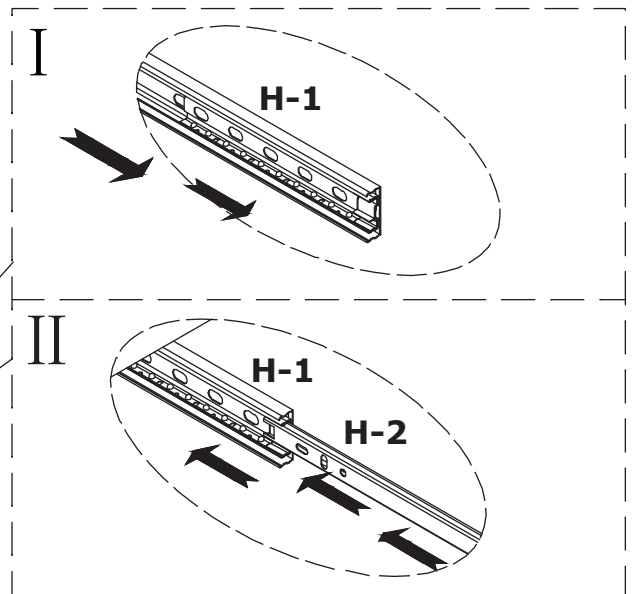
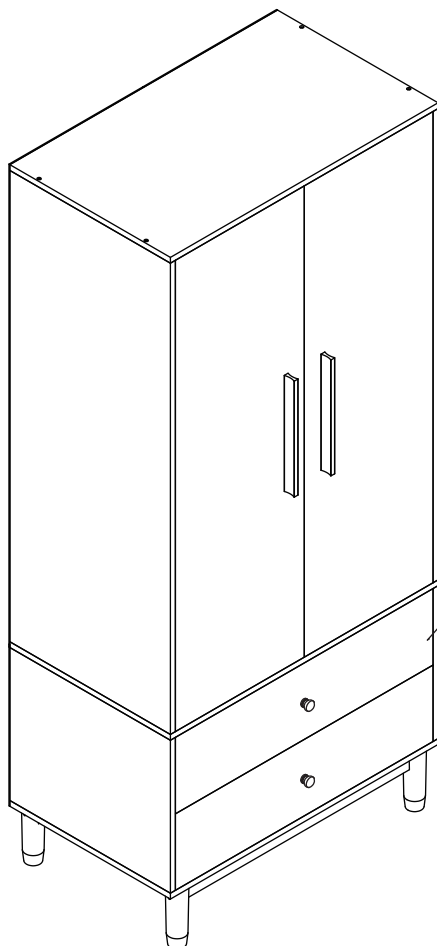


17

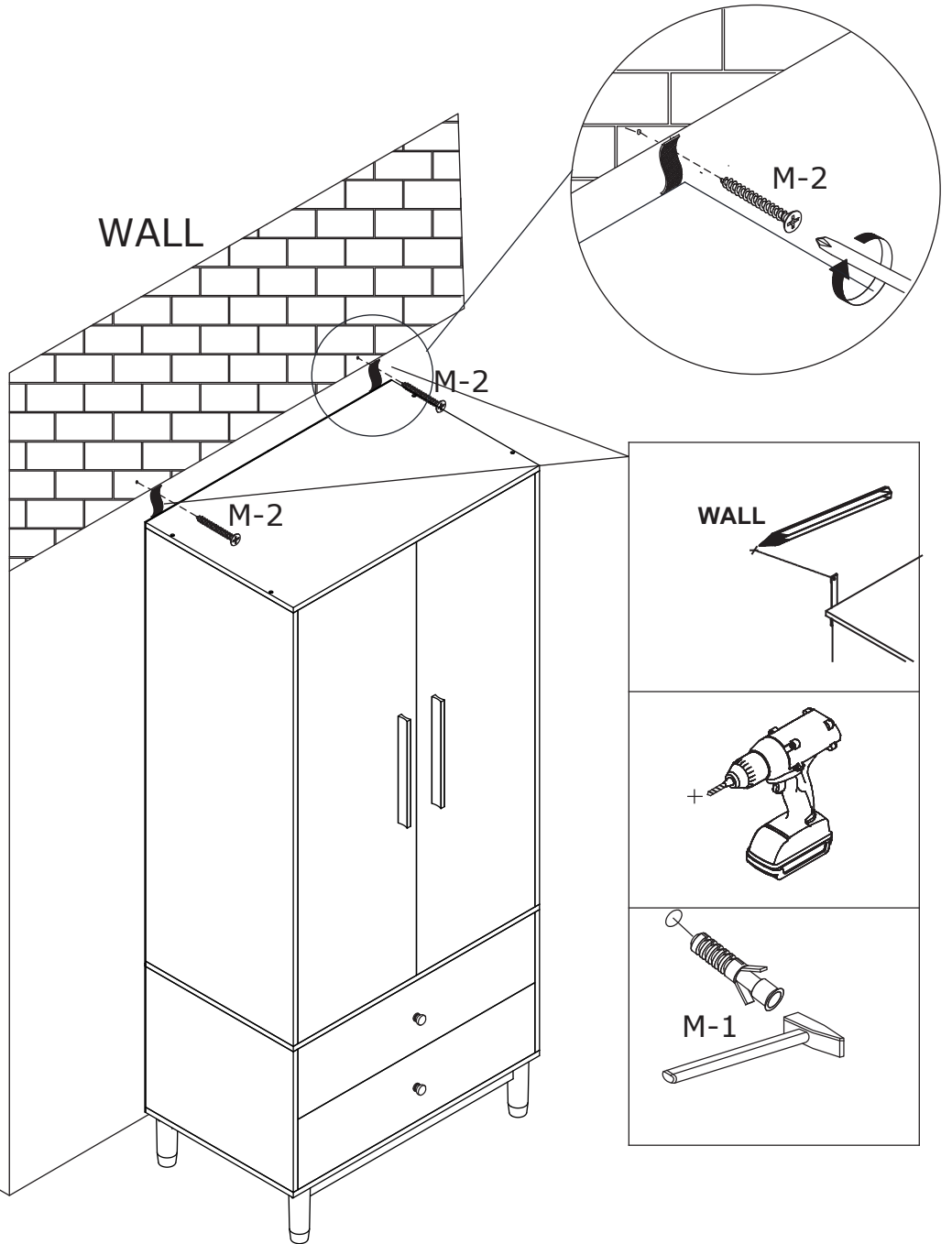
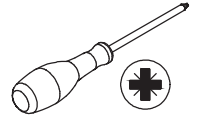
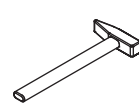
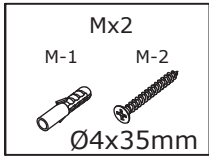
Ex12  Ø3x12mm	Fx2 F-1  F-2  Ø4x20mm	Hx4  380mm	 
------------------------------------------------------------------------------------------------------	--------------------------------------------------------------------------------------------------------------------------------------------------------------------------------------------------	---------------------------------------------------------------------------------------------------	-------------------------------------------------------------------------------------------------------------------------------------------------------------------------



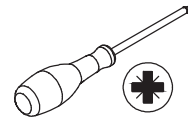
18



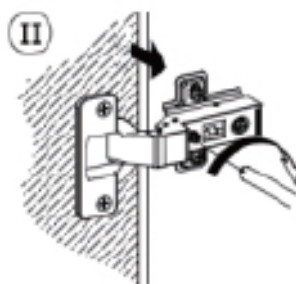
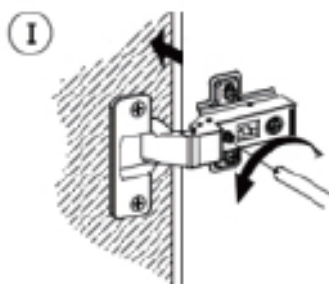
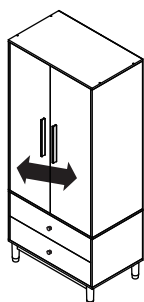
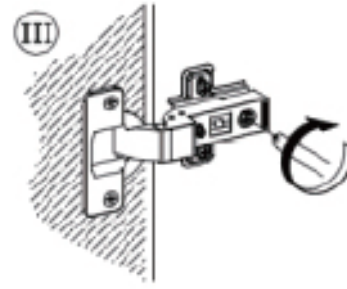
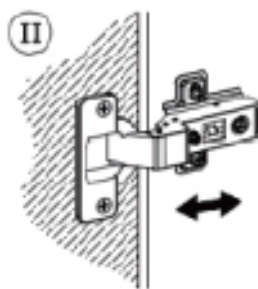
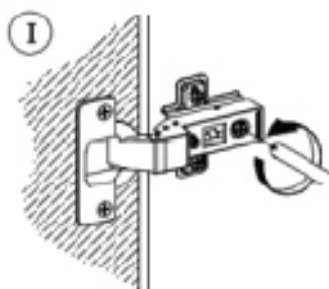
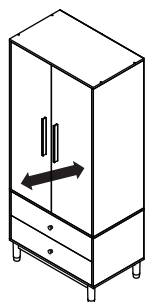
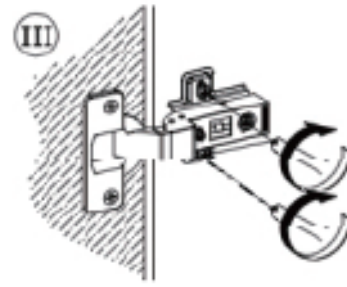
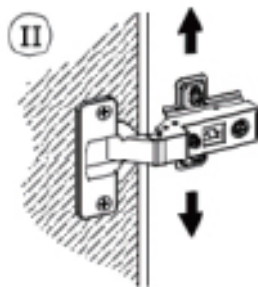
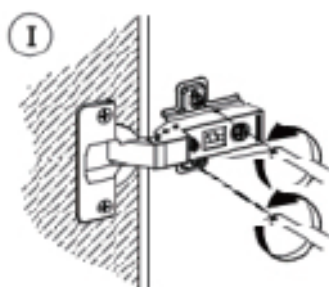
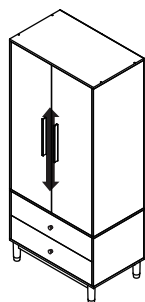
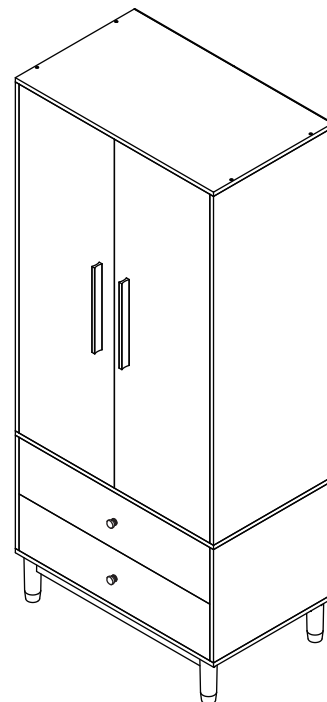
19



20



If there is misalignment after you install, adjust the screw to the best condition.



# WARRANTY

## WARRANTY CLAIMS

- There is a 30-day warranty for broken furniture or any other problems that do not work properly. The warranty will start from the date of purchase which must be verified by proof of purchase.
- Before making a claim, we may be able to answer your query, simply call us. Please leave your purchase order number, along with some details of the problem, if you want a replacement part. We will arrange within 48 hours. If there is out of stock, we will reply with a shipping date.
- The product must be used in accordance with the instructions provided. For health reasons.
- For other reasons, if the furniture needs to be returned, it must be cleaned and dried and operated within 30 days of receipt.

## Type of Warranty Claim

- Failure to follow the furniture instructions will invalidate the warranty. Attention please.
- Does not include damage during installation, but includes damage during transportation.

## Scope of responsibility

- Shall not bear any responsibility for misuse or user damage and / or loss of parts during the installation of furniture.
- After using, the damage and scratches of the furniture are not covered by the warranty.

## The Warranty Relates to All Bought in The Us and Covers The Following Areas

- Sheet parts: 1 month from the date of purchase.
- Electrical parts: 1 month from the date of purchase.

# RETURNS

## **CHANGED YOUR MIND AND NEED TO RETURN YOU ITEM?**

### **PLEASE FOLLOW THE BELOW INSTRUCTIONS:**

- If you have purchased and have simply changed your mind, follow the retailer's instructions for returns.

### **DEFECTIVE ITEMS**

- If your item is defective in any way, i.e. it doesn't work but you can't identify why, in the first instance, please call us.

### **DAMAGED ITEMS**

- If you receive an order with obvious shipping damage from the retailer, then we suggest the delivery is refused. If the delivery has been accepted and then shipping damage is found, please follow the specific instructions advised by the retailer. In all circumstances please save all packaging material and paperwork for the order. Please be aware that if you dispose of packaging material or attempt to return the merchandise without contacting the fulfiller, you jeopardise your chances of making a claim, and you may not receive a credit for the return.