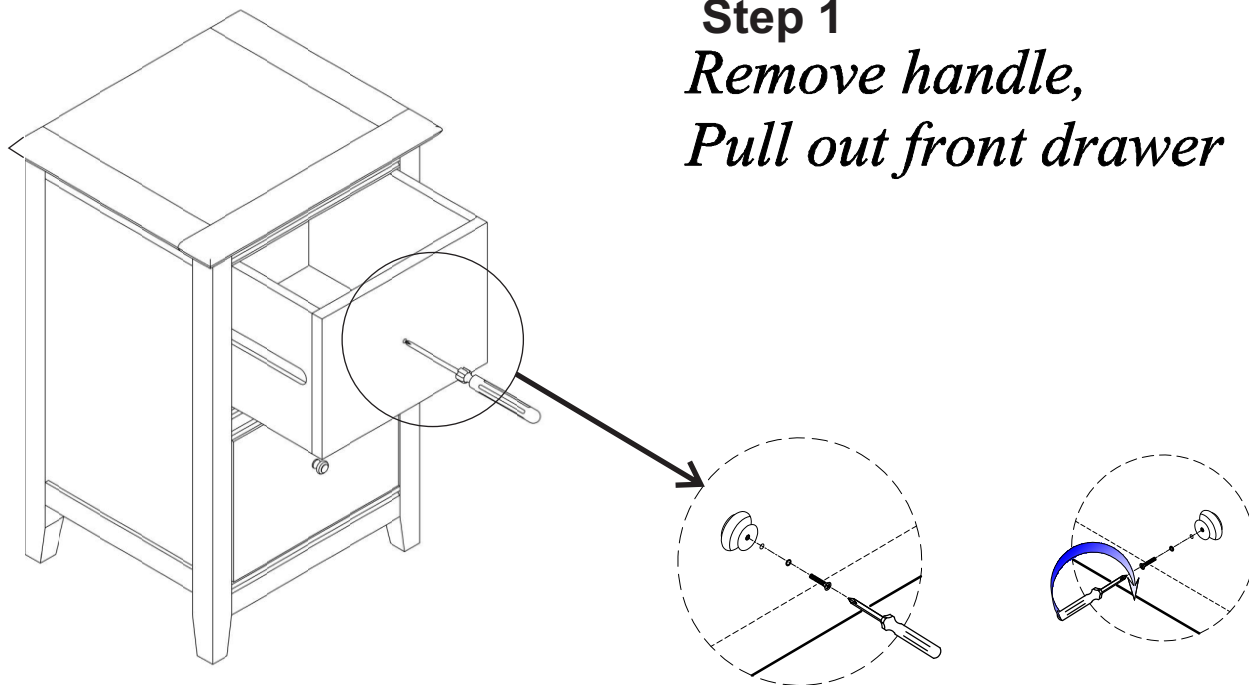


Assembly Instructions

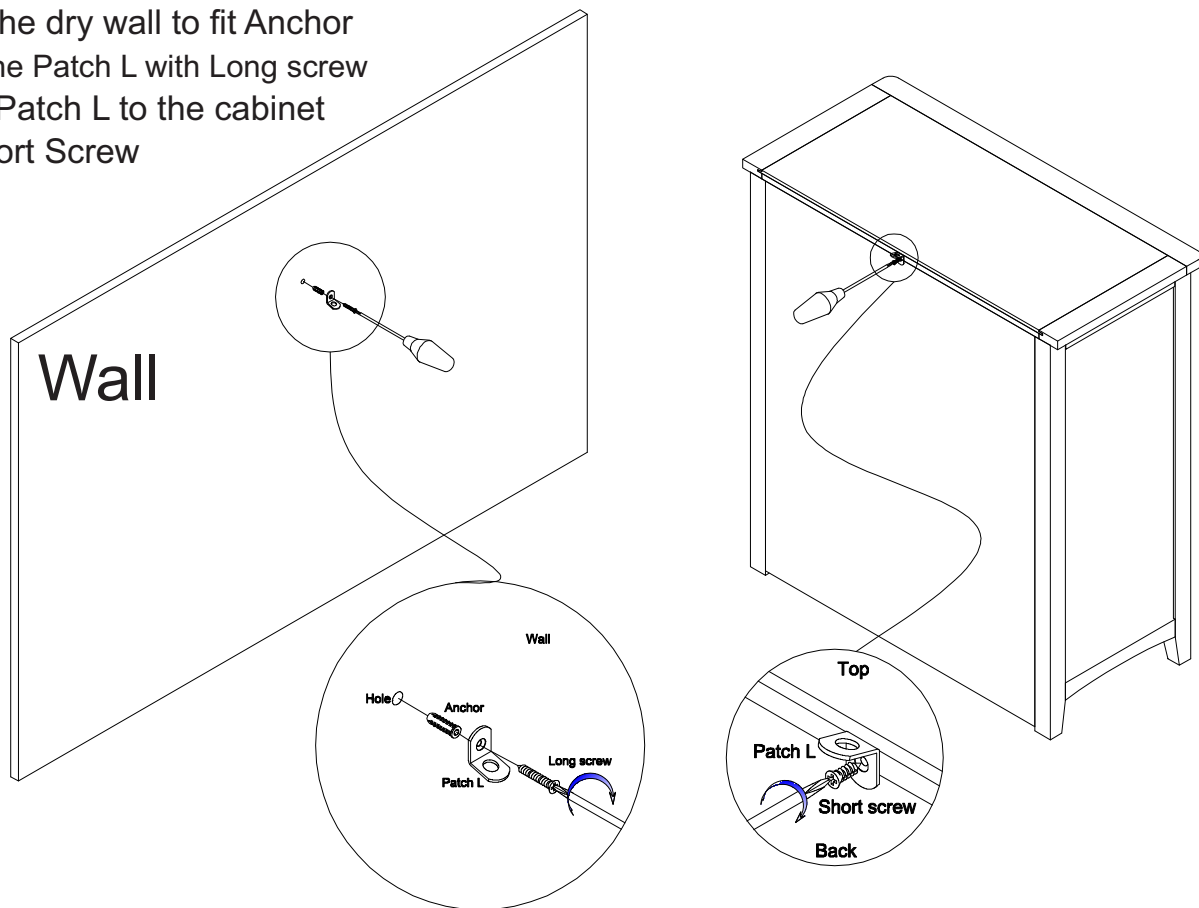
Style: WF283148AAK/AAG

Step 1
*Remove handle,
Pull out front drawer*



Step 2

- Select the location to place the cabinet
- Drill a hole in the dry wall to fit Anchor
Then included the Patch L with Long screw
- Assembly the Patch L to the cabinet
and affix by short Screw



Step 3

- Place the cabinet into position so both mounting
Patch are vertically in line
- Put the strap into hole of Patch L then tighten
the steel wire

