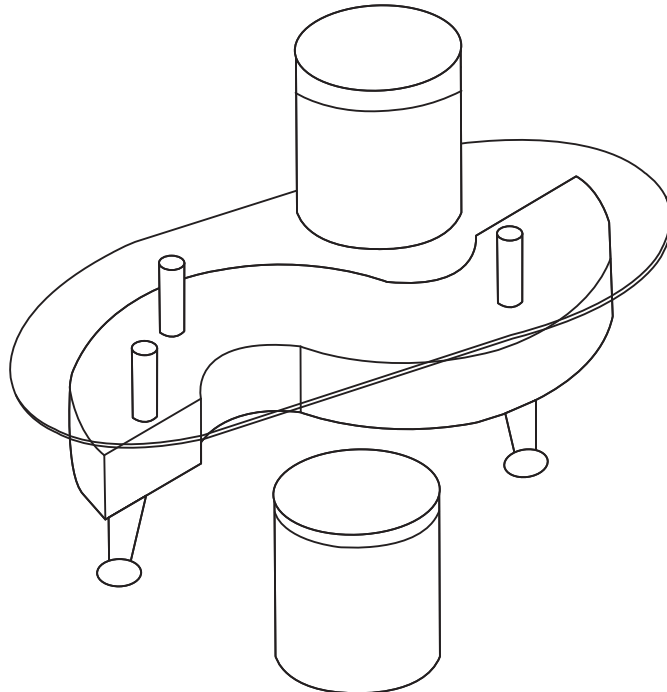


# Assembly Instructions

Caution:Pls read the AI before you proceed.


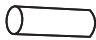











## COFFEE TABLE



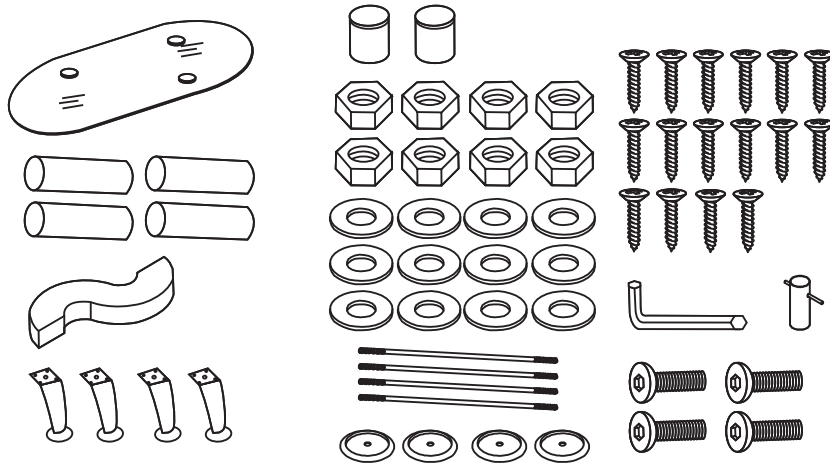
CAUTION:






Pls follow up the AI , when assemble the table leave your child away

### Parts List

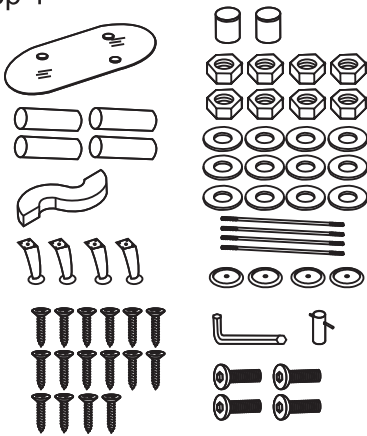
NO.	Picture	Description	Qty
1		Tempered glass table top	1
2	 $\Phi 38 \times 175 \text{mm}$	Metal leg	4
3		Frame under glass	1
4		Leg	4
5		Ottoman stool	2
A	 M8	Nut	8
B	 M8X22mm	Gasket	12
C	 $\Phi 8 \times 200 \text{mm}$	Pulling rod	4
D	 $\Phi 38$	Plastic gasket	4
E	 M3.5X15mm	Screw	16
F	 M8	Box Spanner M8	1
G	 M8X25mm	Screw	4
H	 M5	Allen key	1

# Assembly Preparation Before Beginning Assembly



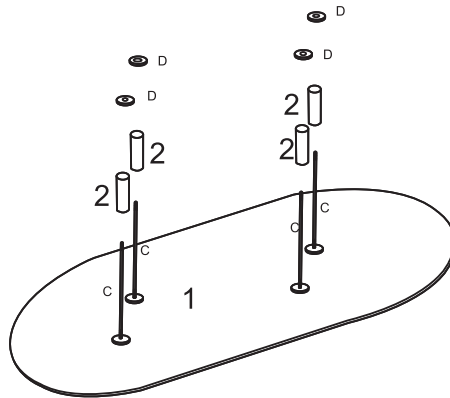
-  • Read instructions, cover to cover-
-  • Have 2 adults on hand for assembly-
-  • Do not assemble on flooring or carpet-
-  • Assemble on a clean non- marring surface (packing foam)-
-  • Save all packaging until finished-

Step 1

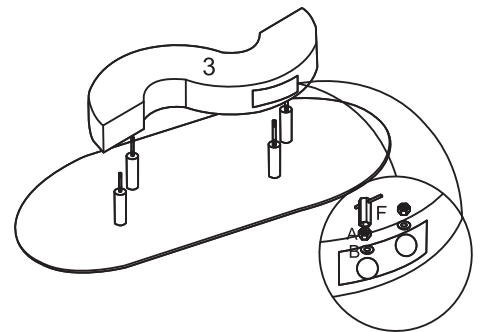


Unpack and place all parts on a clean , soft surface

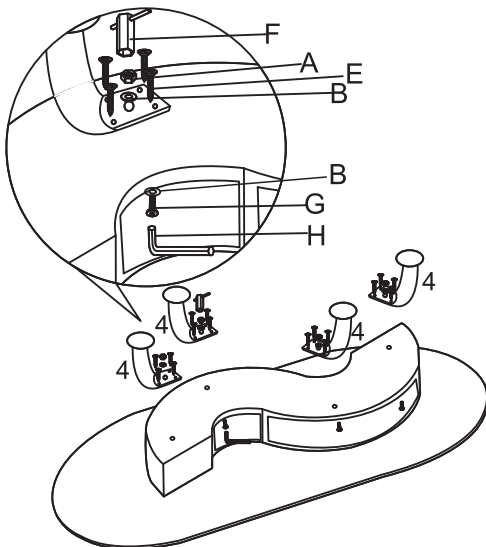
Step 2



Step 3



Step 4



Step 5

