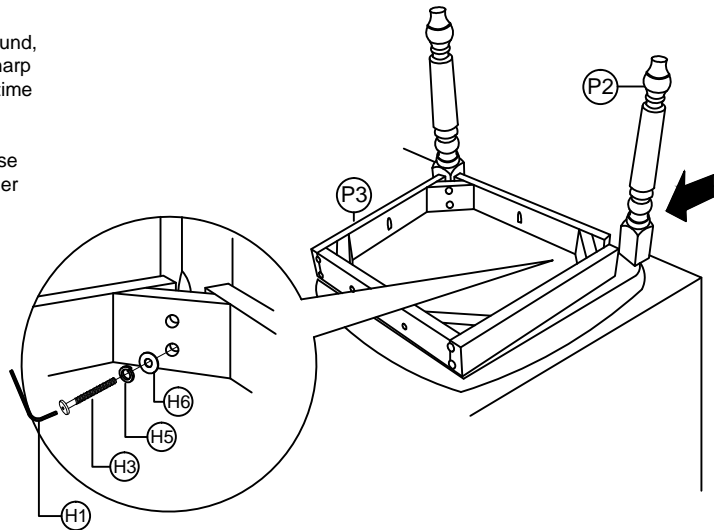


STEP 1

Place the seat frame (P3) on a table, or any higher ground, upside down like the image. Make sure there are no sharp objects underneath. Assemble each front leg (P2) at a time by aligning the two holes like the image and use flat washer (H6), spring washer (H5), and screw (H3) respectively to attach the front leg to the seat frame. Use allen key (H1) to tighten the screws. Repeat for the other front leg.

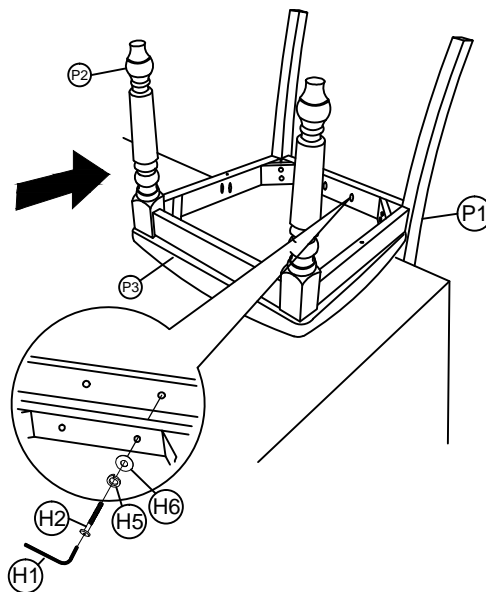
Note: Make sure all screws are tightened



STEP 2

Align the two holes on the chair back (P1) to the holes on the stretcher of the seat frame (P3) and attach them together using flat washer (H6), spring washer (H5), and screw (H2) respectively like the image, and use allen key (H1) to do so.

Note: Do not tighten the screws until the chair back is attached to the corners of the seat frame.



STEP 3

Use flat washer (H6), spring washer (H5), and screw (H4) respectively to securely attach the chair back to the seat frame like the image. Use allen key (H1) to tighten the screws. Repeat all steps to assemble the other chair.

Note: Make sure all screws are tightened

