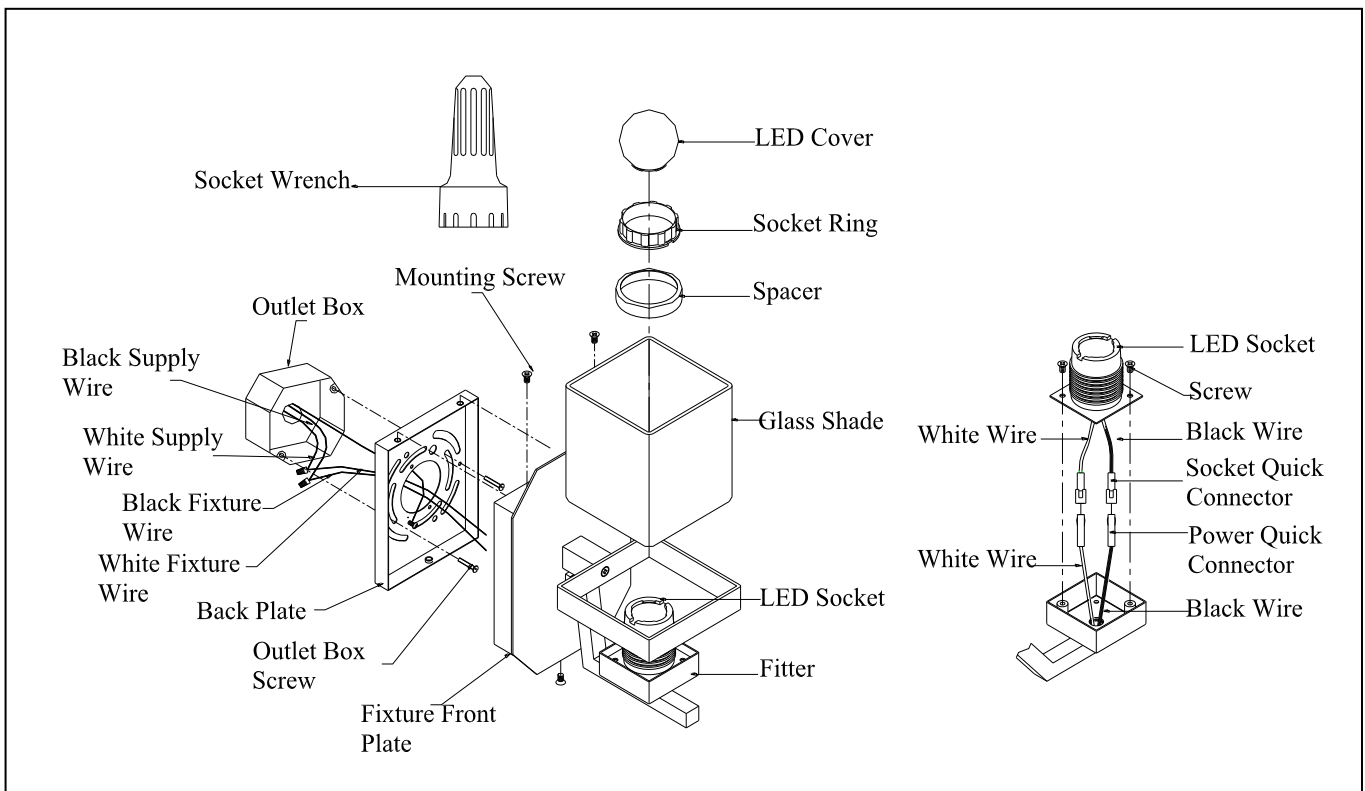


Assembly and Installation Instruction

Warning!!! Shut Power Off At Fuse or Circuit Breaker .

1. Carefully unpack your new fixture and lay out all the parts on clear area. Take care not to loose any small parts necessary for installation.
 2. Hold Back Plate up against the wall aligning the two holes in the Outlet Box with appropriate slots in the Back Plate.
 3. Thread the supply wires and ground wire from Outlet Box through center holes in Back Plate.
 4. Attached the Back Plate to Outlet box by using the two Outlet box Screws.
 5. Connect the fixture wires to the Outlet Box wires as follows. Connect the White Fixture wire to the White Supply Wire, Connect the Black Fixture Wire to the Black Supply Wire. Make sure all wire Connectors are secure and do not easily pull off with the slight tug. If there is no Green Ground Wire from the Outlet Box, Connect the Fixture Ground Wire to the Cross Bar with the Green Grounding Screw provided.
 6. Once all wires are connected, tuck them carefully into Outlet Box.
 7. Place the Fixture Front Plate over the Back Plate and tighten Back Plate to Fixture Front Plate with Mounting Screws.
 8. Slide Glass Shade, Spacer and Socket Ring onto LED Socket, use Socket Wrench to secure Glass Shade onto LED Socket.
 9. Install LED Cover onto LED Socket
 10. Return the power to the Outlet Box and test fixture. Your installation is now complete
- Relamping:1. Loosen Screws on LED Socket. disconnect the Quick Connector on fixture wires and Socket Wires.
- 2.Replace the Bulb.
 3. Fit together the Quick Connector. (Note: The Black Wire on the Socket Quick Connector should match the Black Wire on the Power Quick Connector, the White Wire on the Socket Quick Connector should match the White Wire on the Power Quick Connector .



Line art shown may not exactly match the fixture enclosed. However, the installations do apply to this fixture.