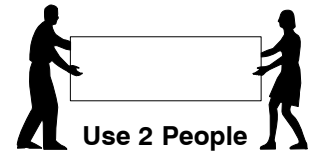
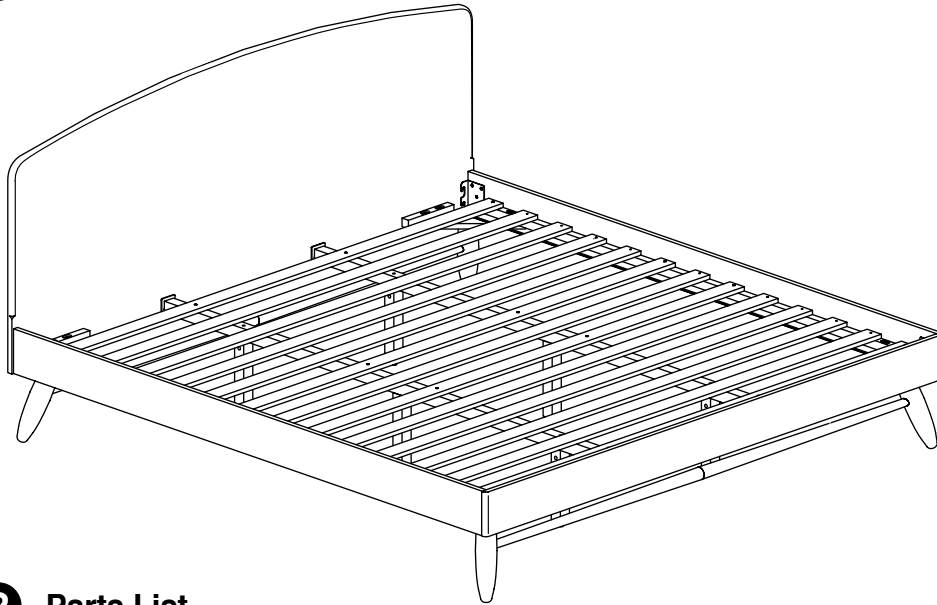


2200-1 King Bed

Assembly Instructions

W11-0820

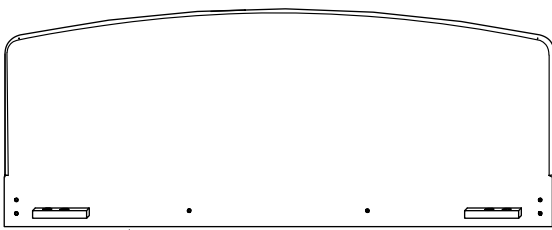
1 Assembled View



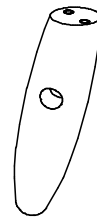
Note: Do not assemble using power tools. This can cause the bolts to be overtightened

2 Parts List

Parts in Box A:



A Headboard Panel x 1

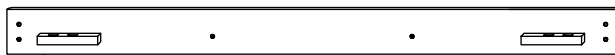


G Post (Left Hand) x 2

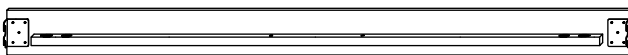


H Post (Right Hand) x 2

Parts in Box B:



B Footboard Panel x 1



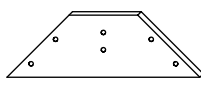
C Side Rail x 2



D Long Support x 2

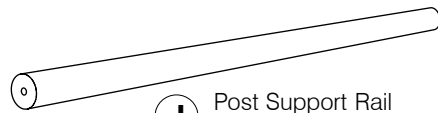


E Support Leg x 6

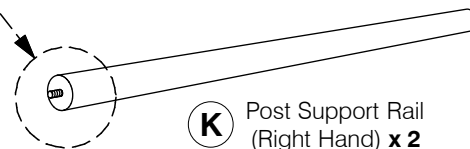


F Support Panel x 4

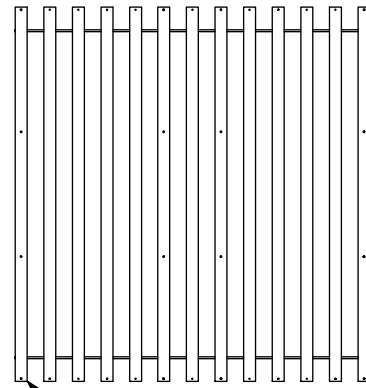
with thread



J Post Support Rail (Left Hand) x 2



K Post Support Rail (Right Hand) x 2



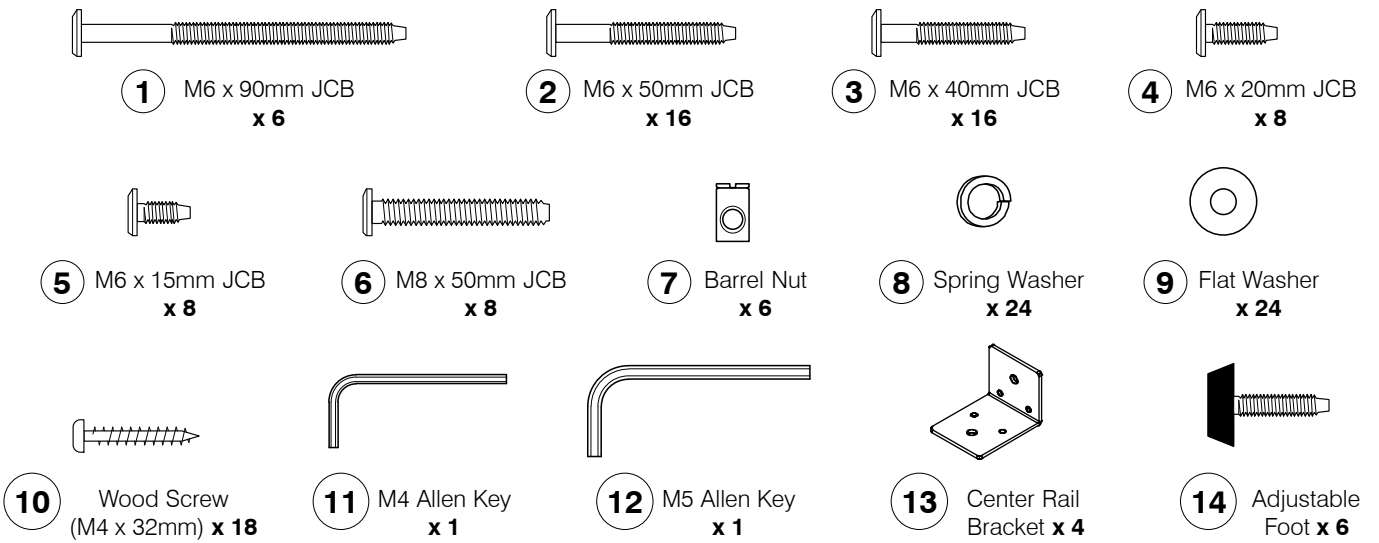
L Set of Bed Slats x 1

2200-1 King Bed

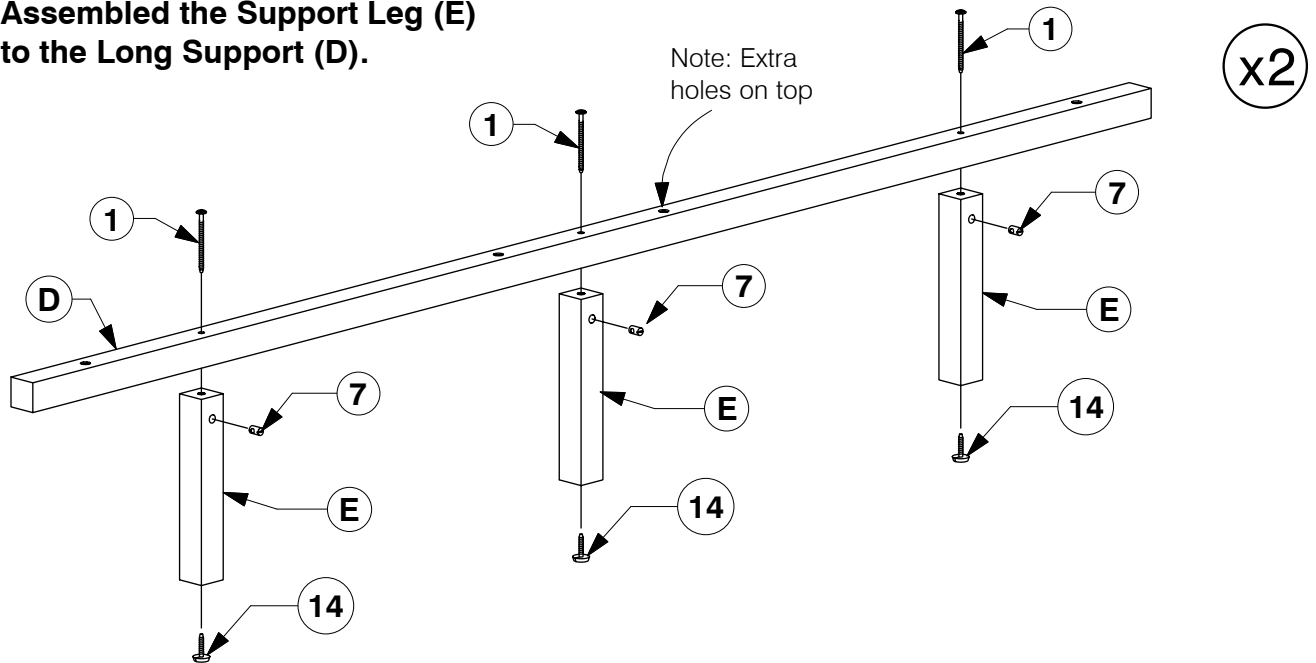
Assembly Instructions

W11-0820

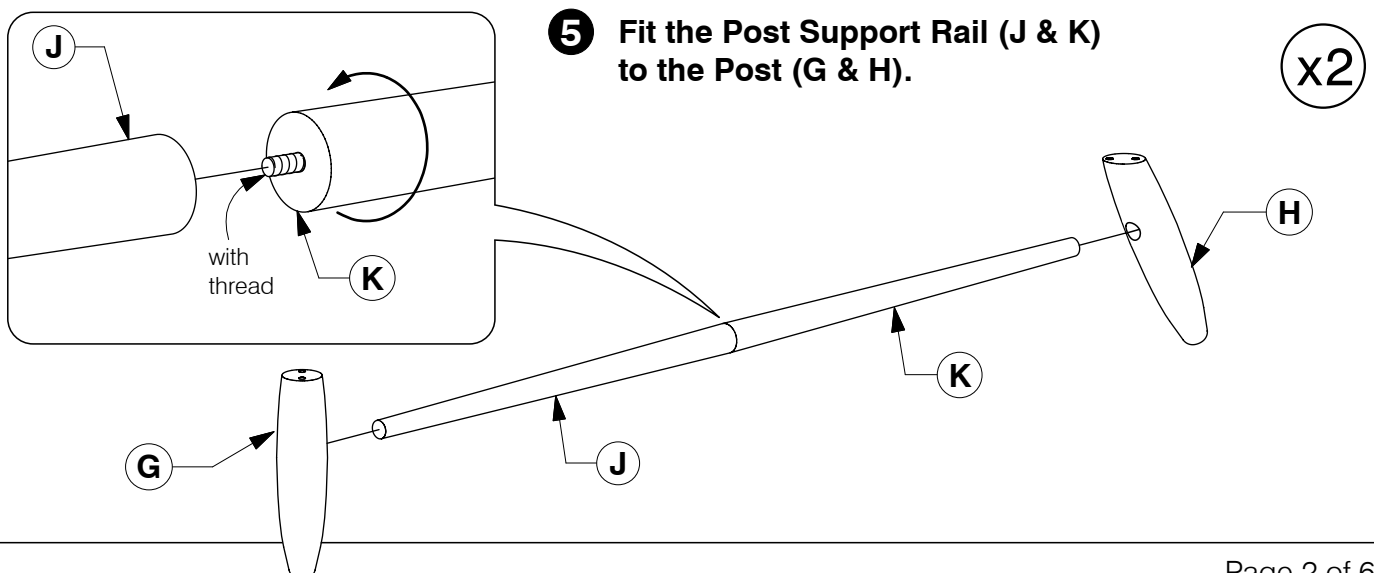
3 Hardware List



4 Assembled the Support Leg (E) to the Long Support (D).



5 Fit the Post Support Rail (J & K) to the Post (G & H).



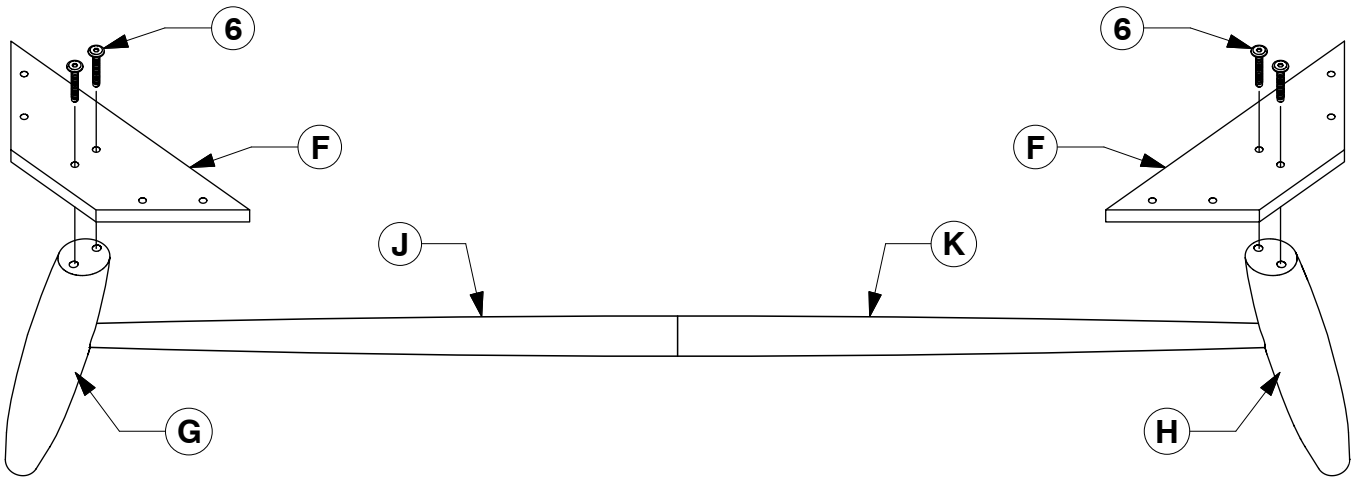
2200-1 King Bed

Assembly Instructions

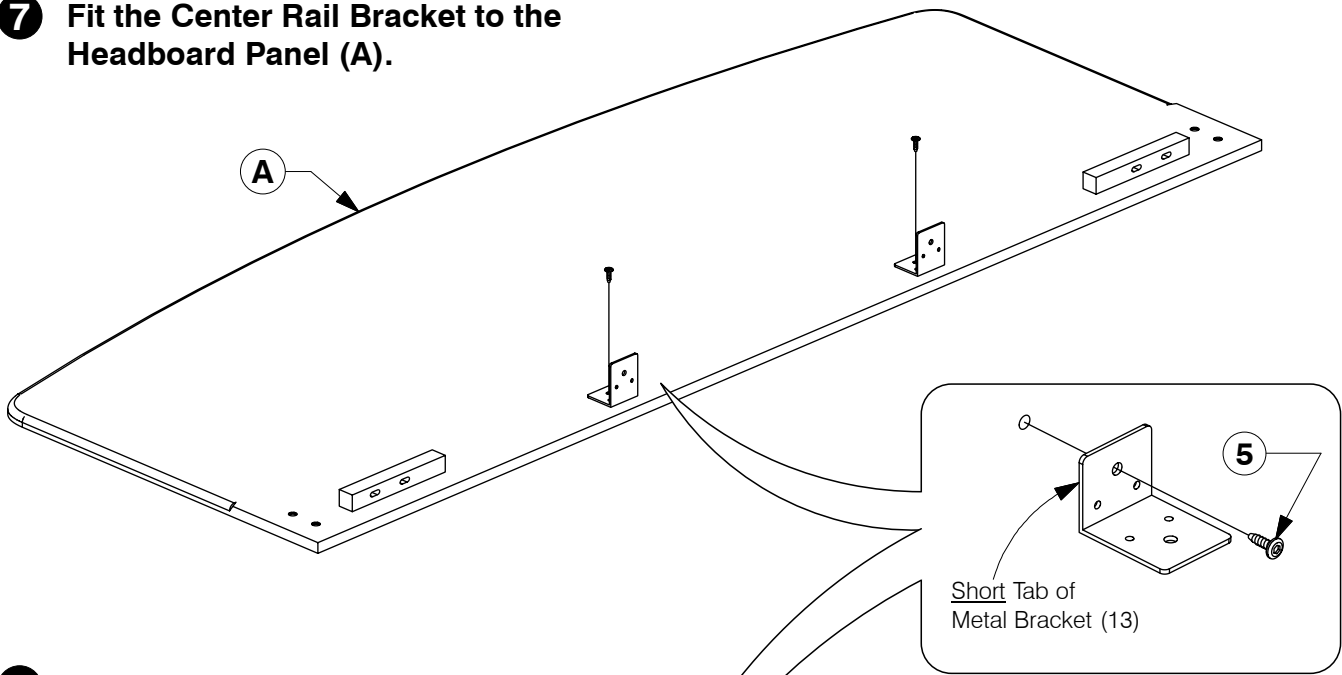
W11-0820

- 6** Assemble the Support Panel (F) to the assembled Post (G & H) & Post Support Rail (J & K) .

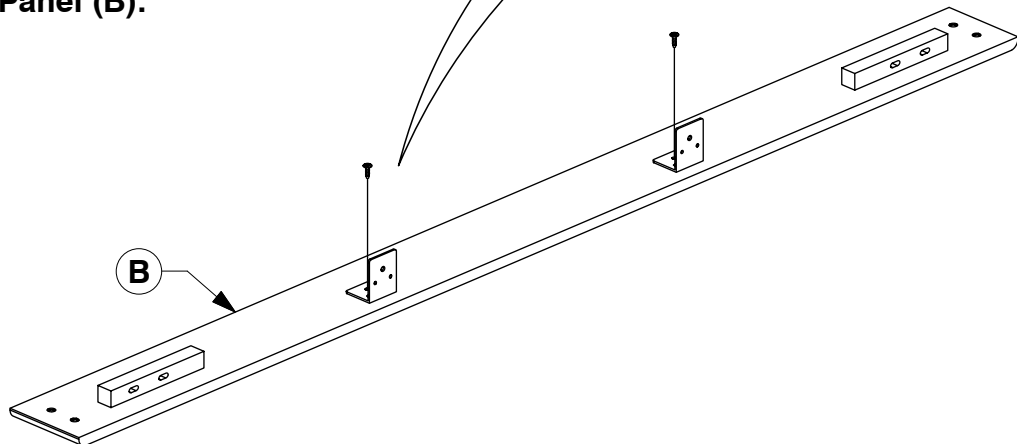
x2



- 7** Fit the Center Rail Bracket to the Headboard Panel (A).



- 8** Fit the Center Rail Bracket to the Footboard Panel (B).

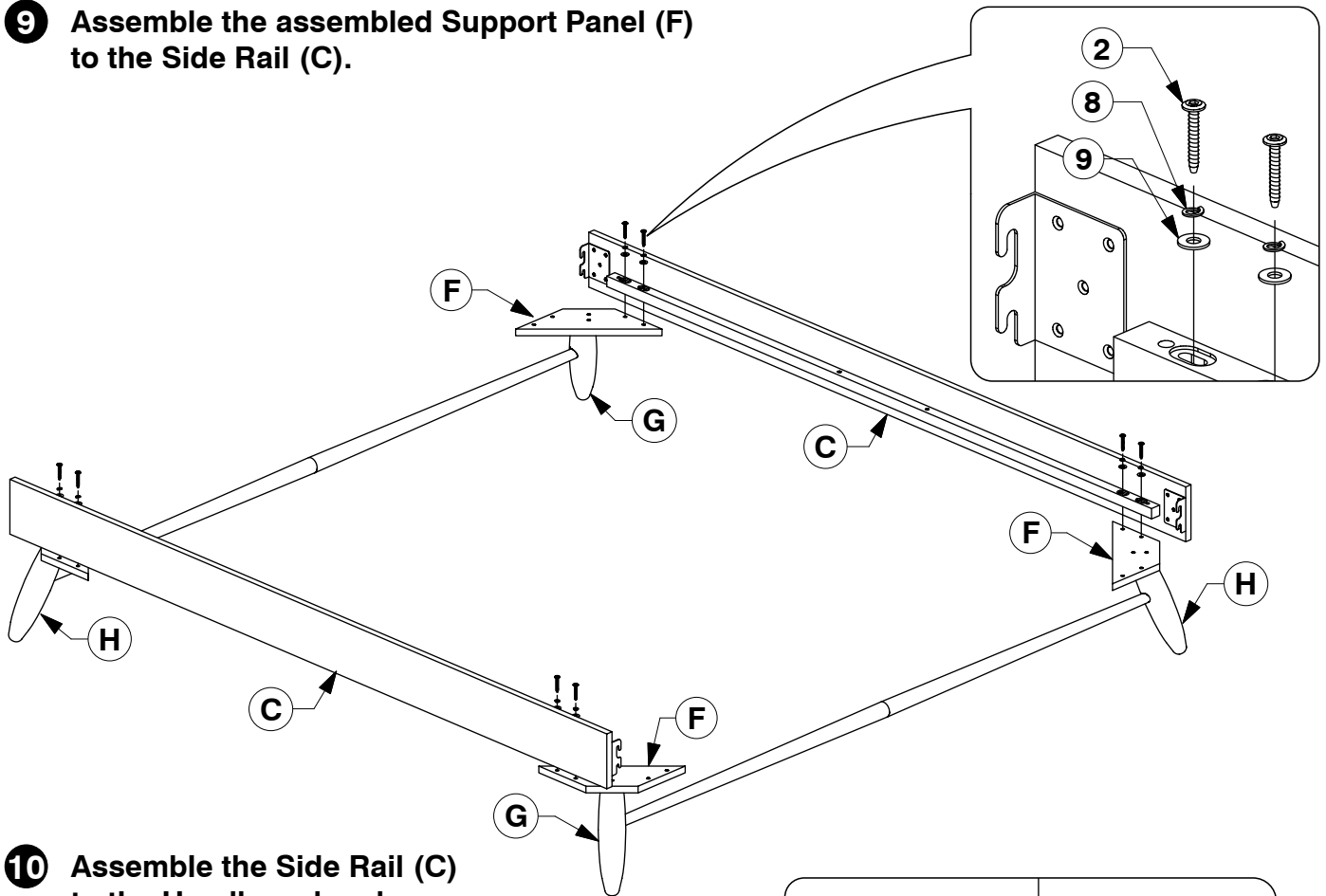


2200-1 King Bed

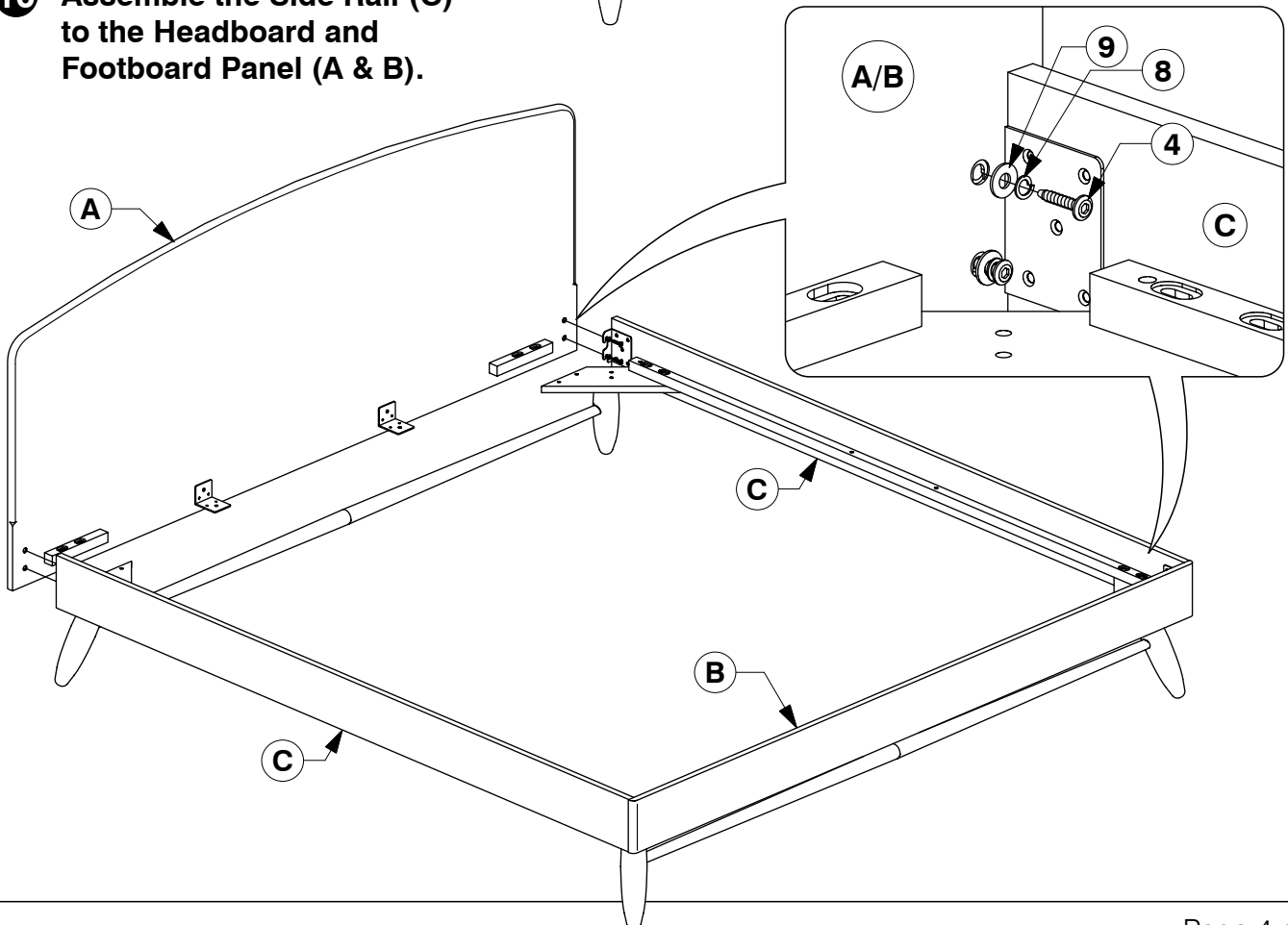
Assembly Instructions

W11-0820

- 9** Assemble the assembled Support Panel (F) to the Side Rail (C).



- 10** Assemble the Side Rail (C) to the Headboard and Footboard Panel (A & B).

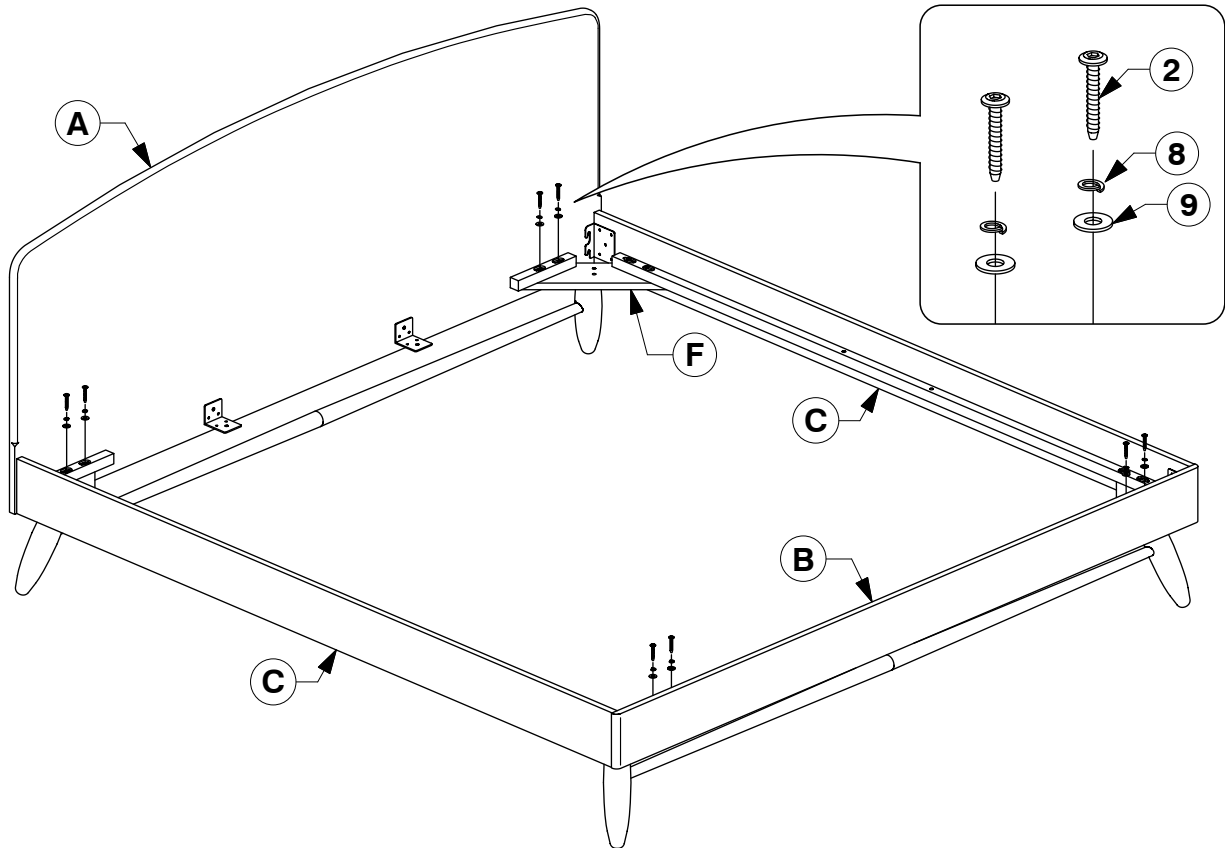


2200-1 King Bed

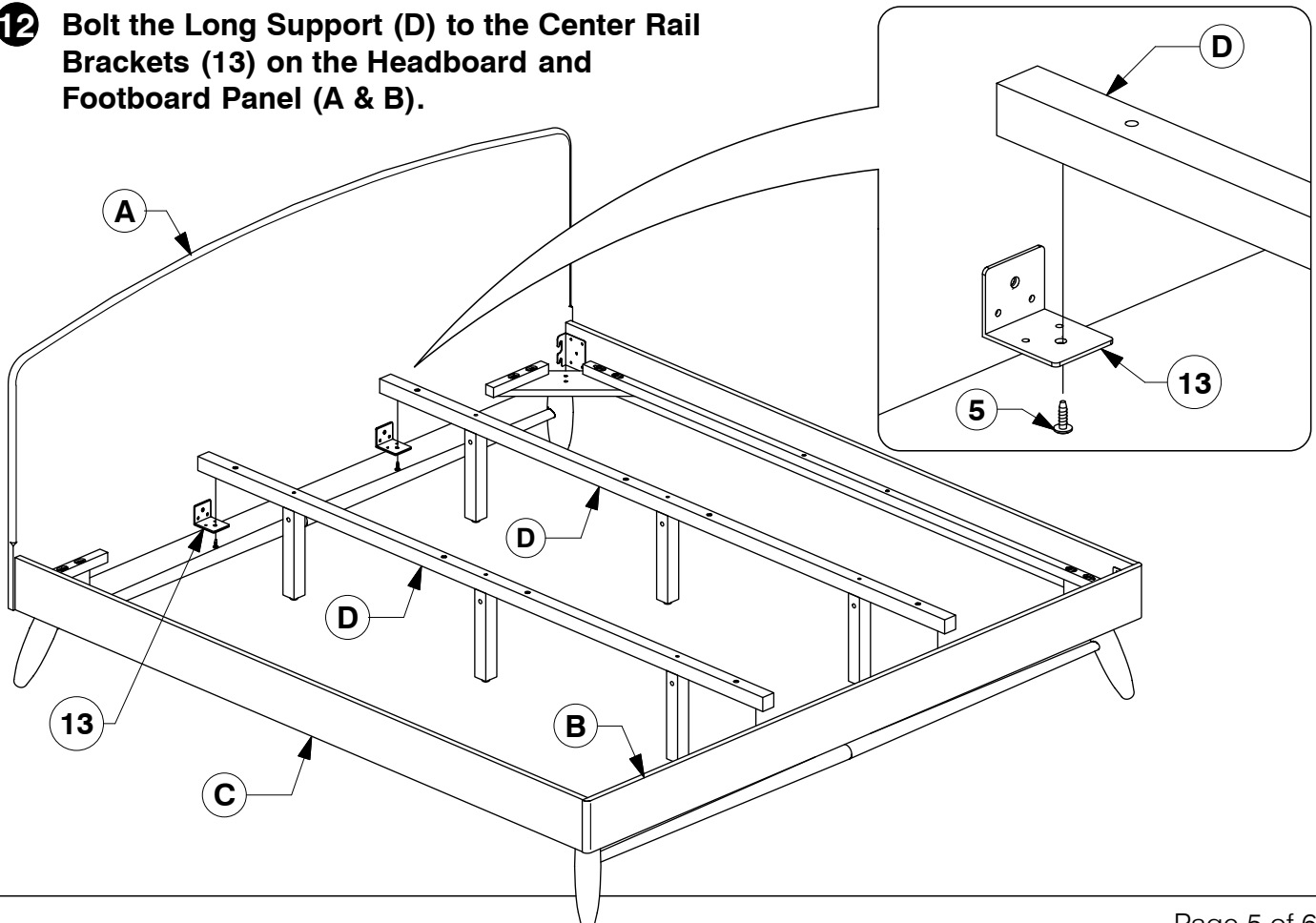
Assembly Instructions

W11-0820

- 11** Bolt the Support Panel (F) to the Headboard and Footboard Panel (A & B).



- 12** Bolt the Long Support (D) to the Center Rail Brackets (13) on the Headboard and Footboard Panel (A & B).

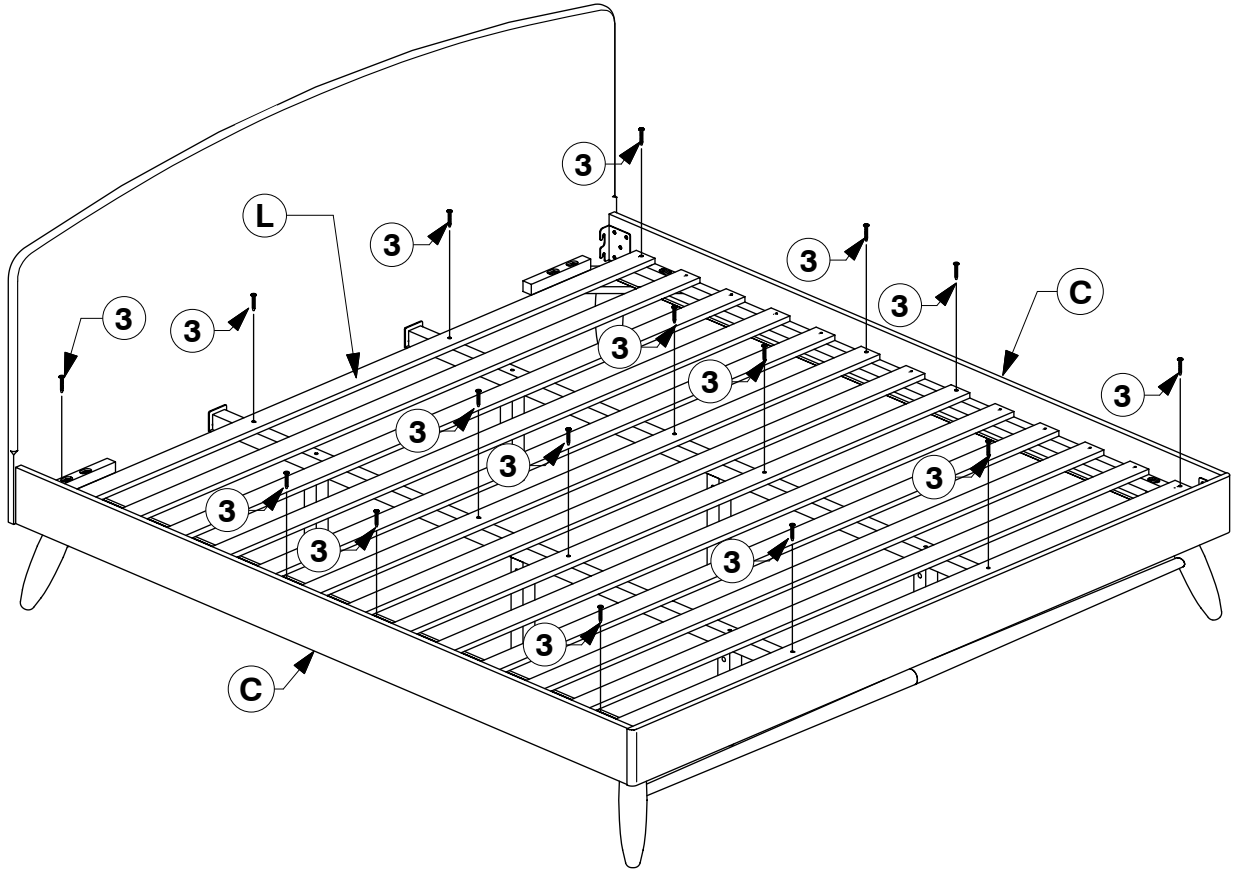


2200-1 King Bed

Assembly Instructions

W11-0820

- 13** Bolt the Bed Slats (L) to the Side Rail (C).



- 14** Screw the Bed Slats (L) to the Side Rail (C).

