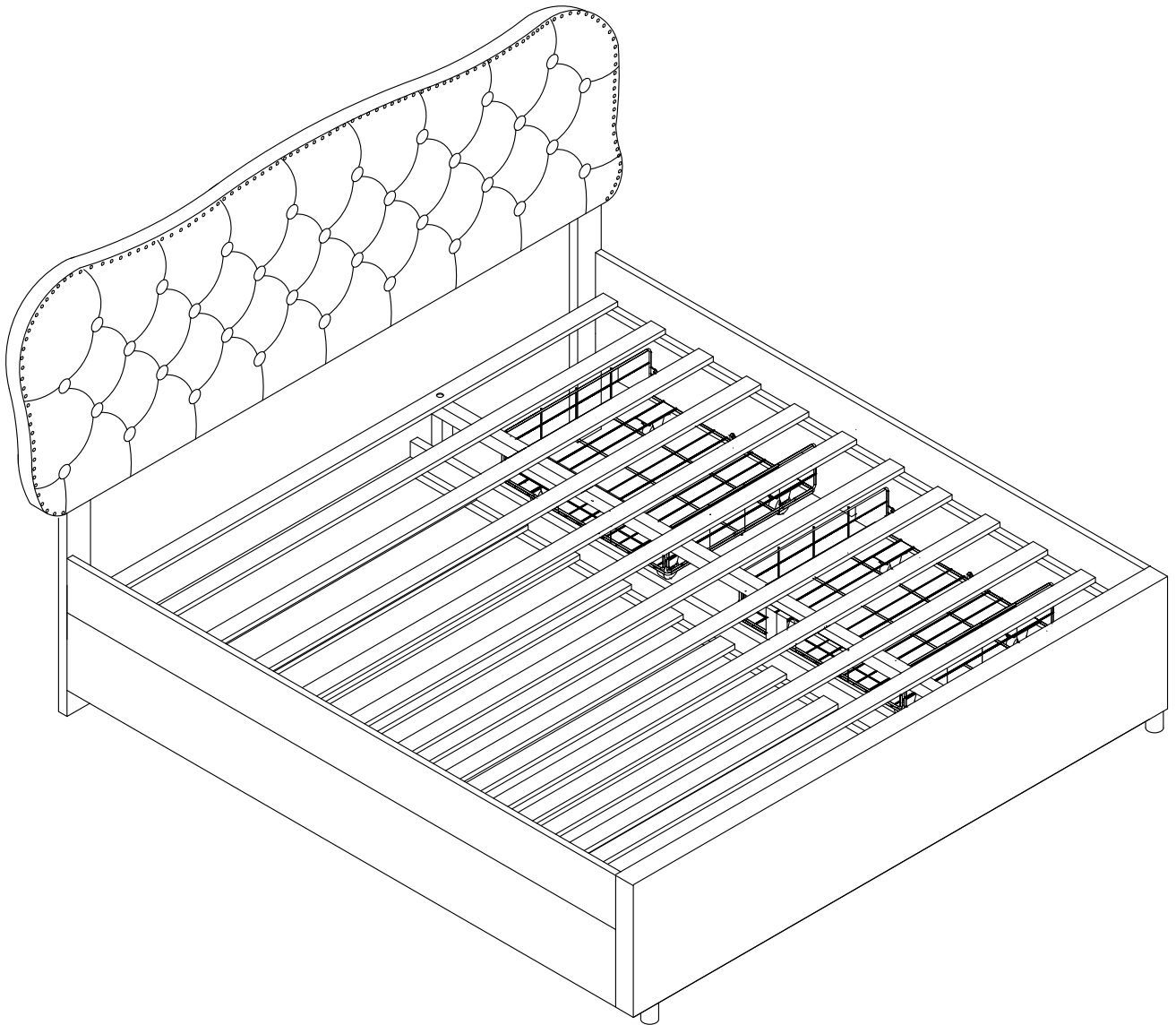
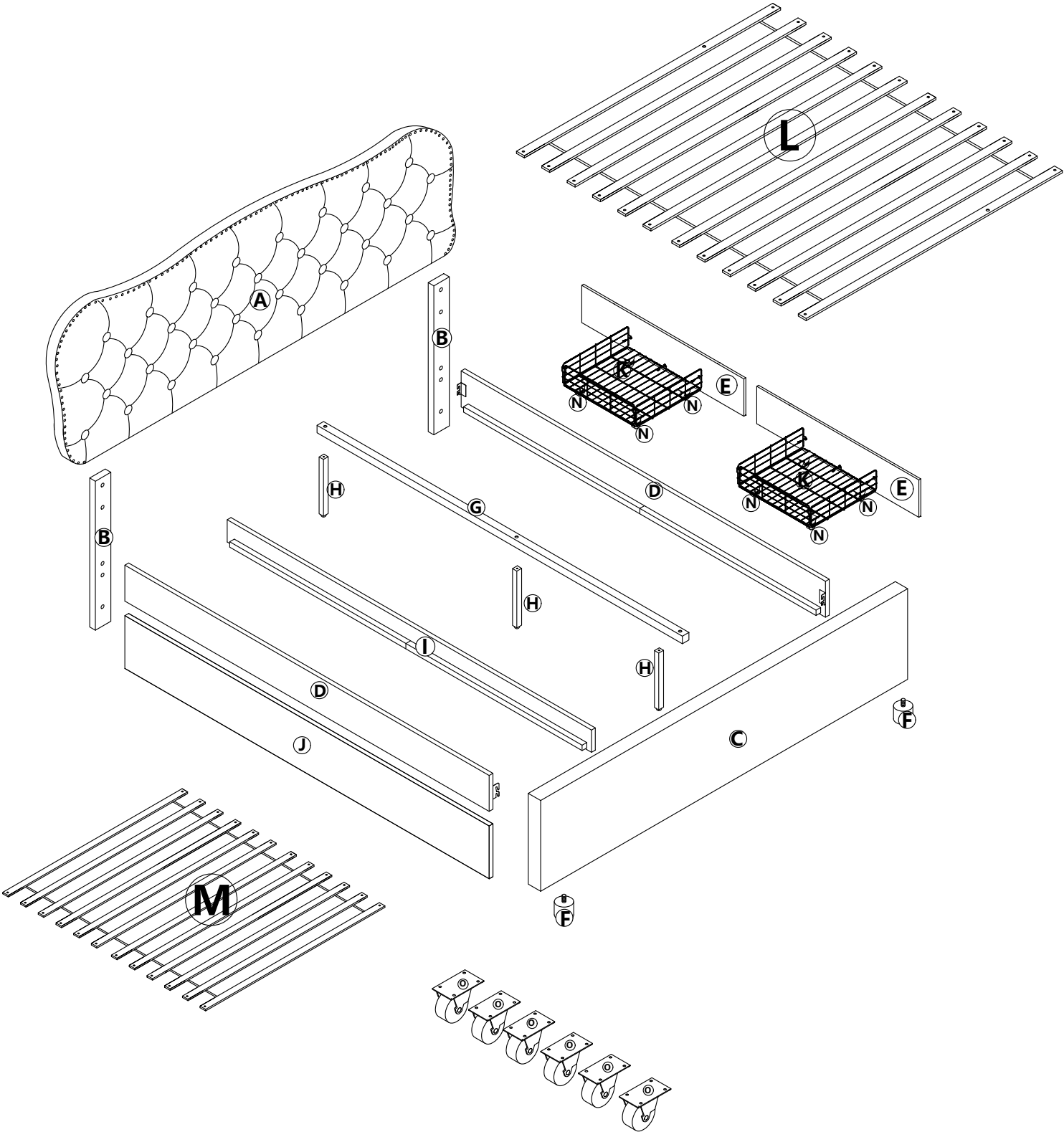


ASSEMBLY INSTRUCTIONS

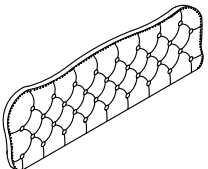
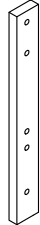

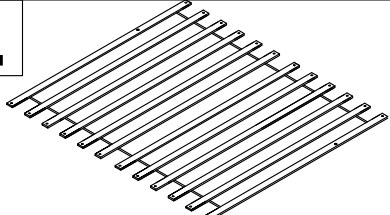
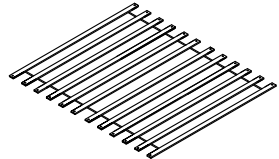


Detail View

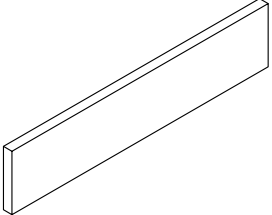
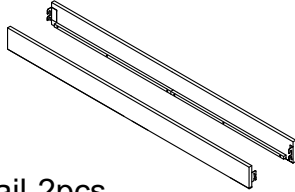
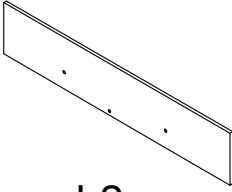

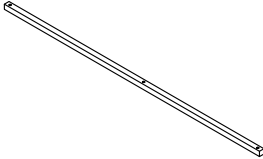

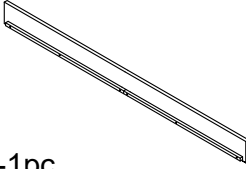
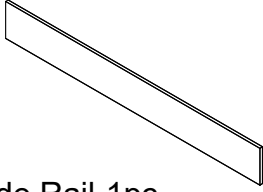
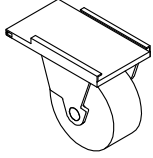
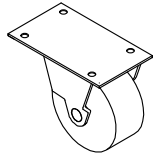


Part List

WF314120AAK / WF314124AAK

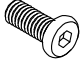
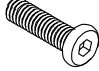





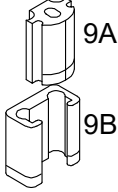
<p>A</p>  <p>Headboard-1pc</p>	<p>B</p>  <p>HB Legs-2pcs</p>	<p>K</p>  <p>Drawer-2pcs</p>
<p>L</p>  <p>Slats-12pcs</p>	<p>M</p>  <p>SD Slats-12pcs</p>	

WF314122AAK / WF314126AAK

<p>C</p>  <p>Footboard-1pc</p>	<p>D</p>  <p>Side Rail-2pcs</p>	<p>E</p>  <p>Drawer panel-2pcs</p>
<p>F</p>  <p>FB Feet-2pcs</p>	<p>G</p>  <p>Support Rail-1PC</p>	<p>H</p>  <p>Support Leg-3pcs</p>
<p>I</p>  <p>SD Side Rail-1pc</p>	<p>J</p>  <p>SD Side Rail-1pc</p>	<p>N</p>  <p>Drawer wheel-8pcs</p>
<p>O</p>  <p>SD Drawer wheel-6pcs</p>		

Hardware List

WF314122AAK / WF314126AAK

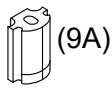
<p>1</p>  <p>5/16"×25mm Bolt (8pcs)</p>	<p>2</p>  <p>5/16"×50mm Bolt (8pcs)</p>	<p>3</p>  <p>5/16" x 75mm Bolt (3pcs)</p>
<p>4</p>  <p>1/4"×15mm Bolt (6pcs)</p>	<p>5</p>  <p>5/16" Allen Key (1pc)</p>	<p>6</p>  <p>M8*25mm Screw (72pcs)</p>
<p>7</p>  <p>5/16"*19mm Flat washer (15pcs)</p>	<p>8</p>  <p>1/4" Allen Key (1pc)</p>	<p>9</p>  <p>9A 9B Drawer connector(4sets)</p>

Hardware Parts:

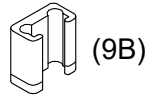
Accessories in hardware box



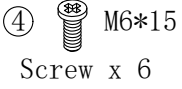
Pulley x 8



Black plastic buckle(9A x 4)



Black plastic buckle(9B x 4)

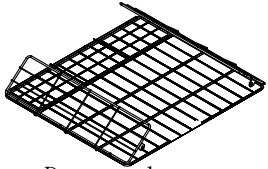


M6*15

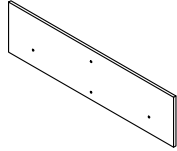
Screw x 6

Note the ④ in the hardware blisterpack

Part list:

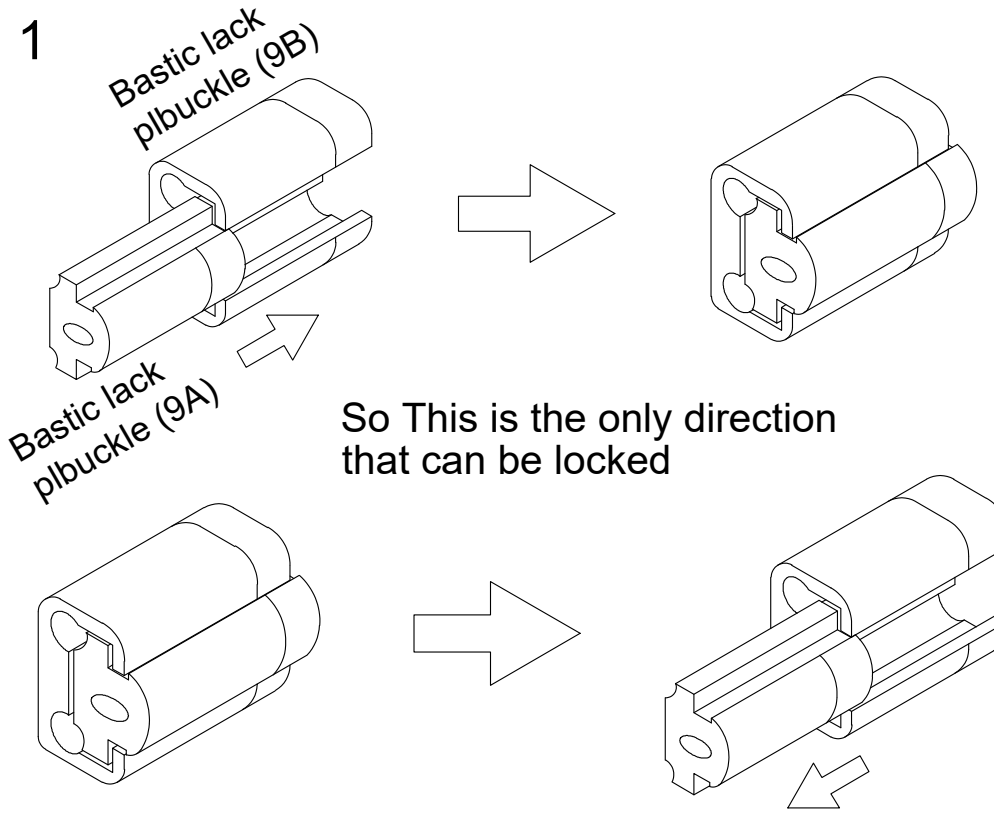


Drawer base
(K) 2PCS



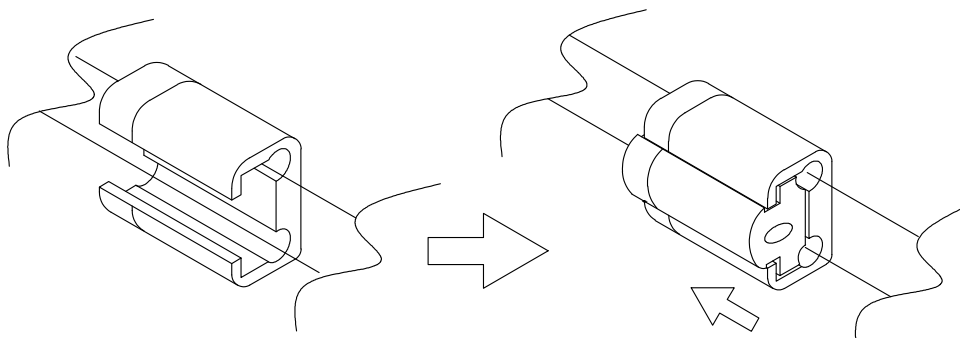
Drawer base
(E) 2PCS

STEP 1



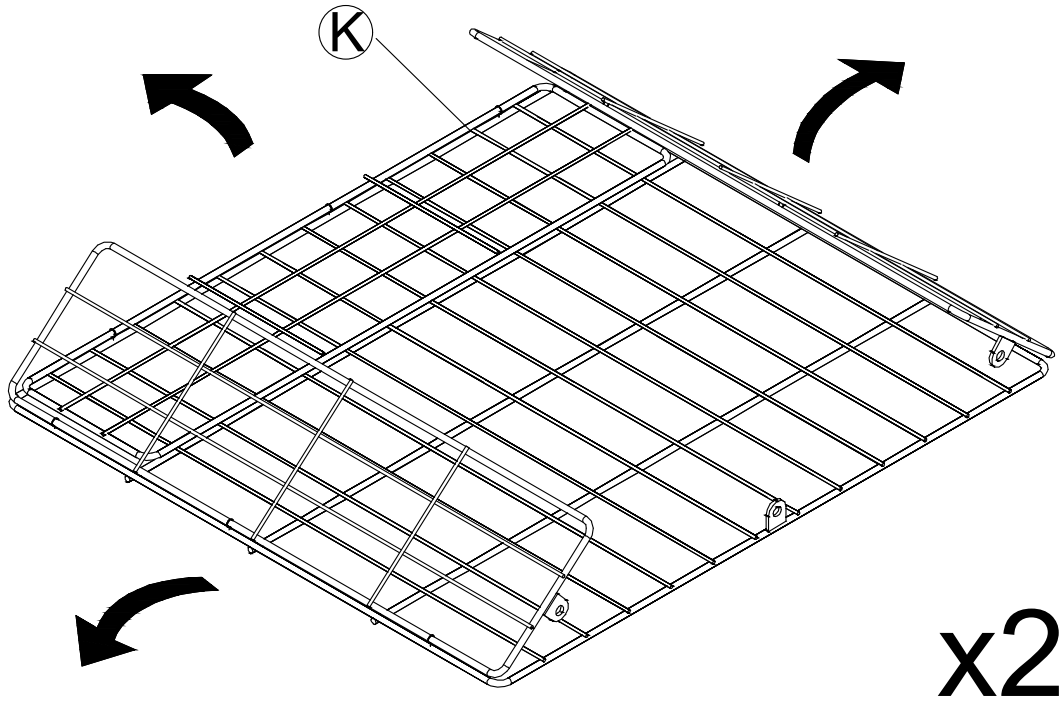
You can pull the buckle out by following the direction indicated by the arrow

STEP 2




Place round iron tube as shown for better drawer assembly

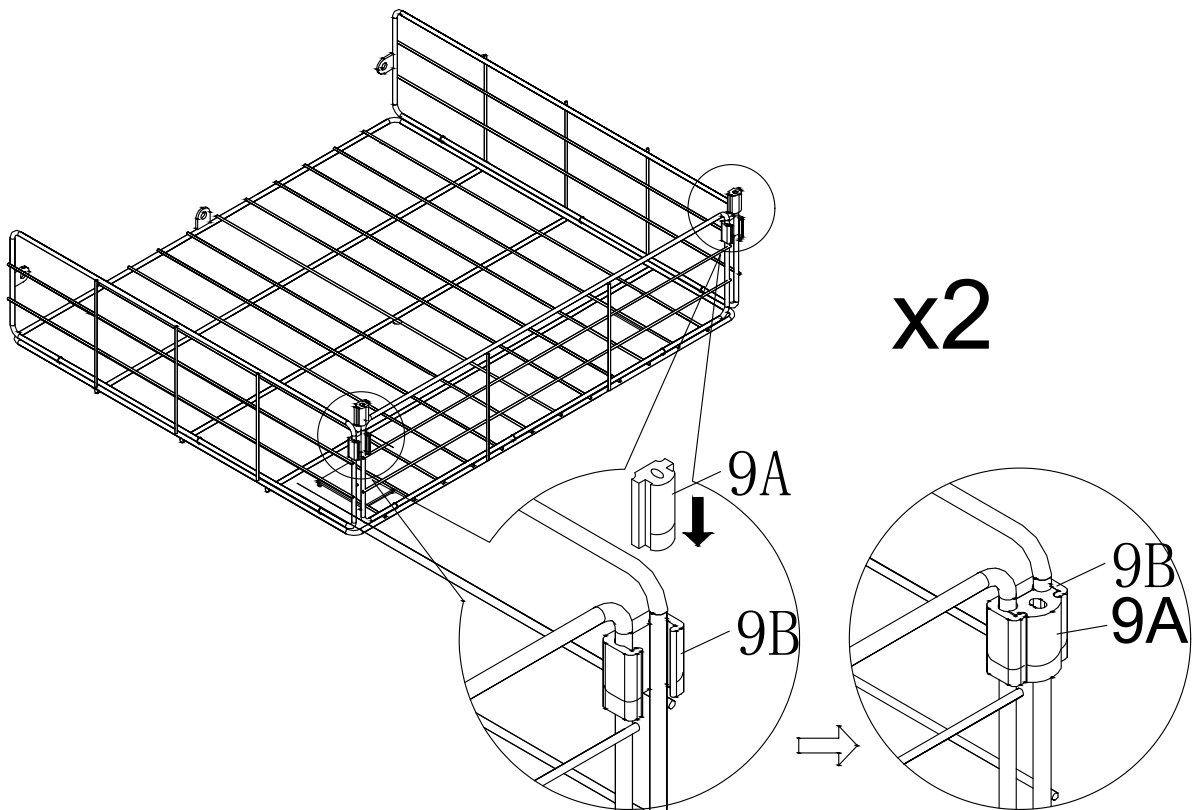
STEP 3

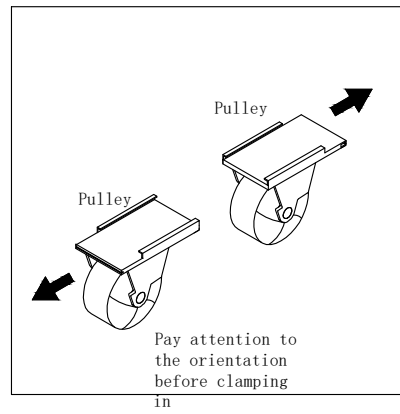
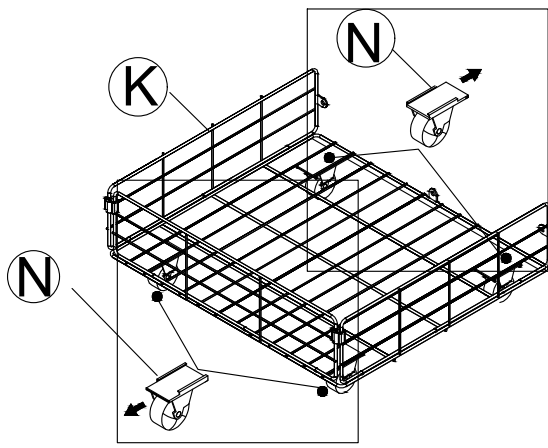


STEP 4

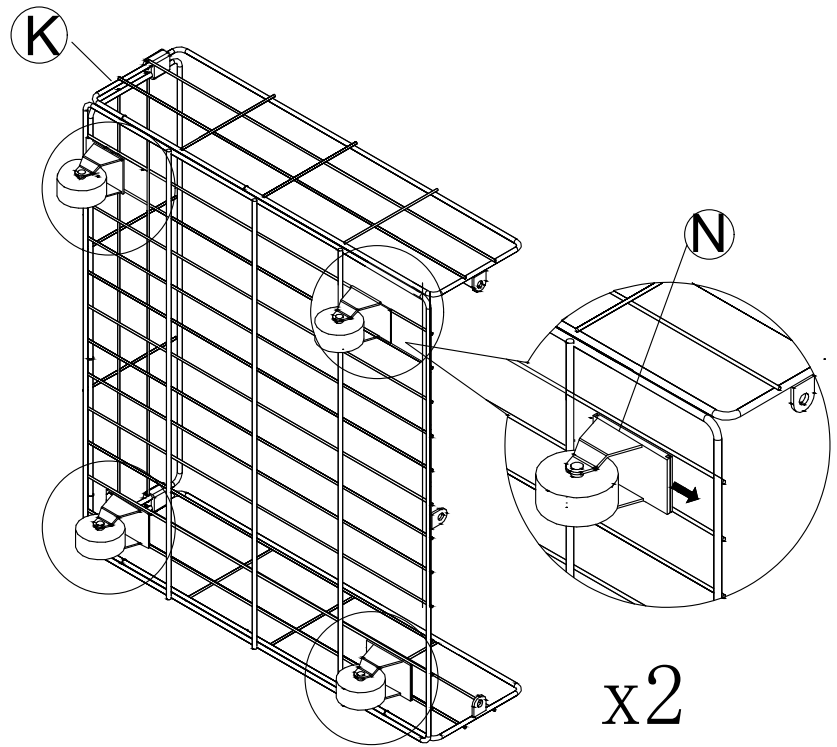
Pull up the side and rearwall of the drawer and lock it with plastic buckle(6)

9	
4PCS	



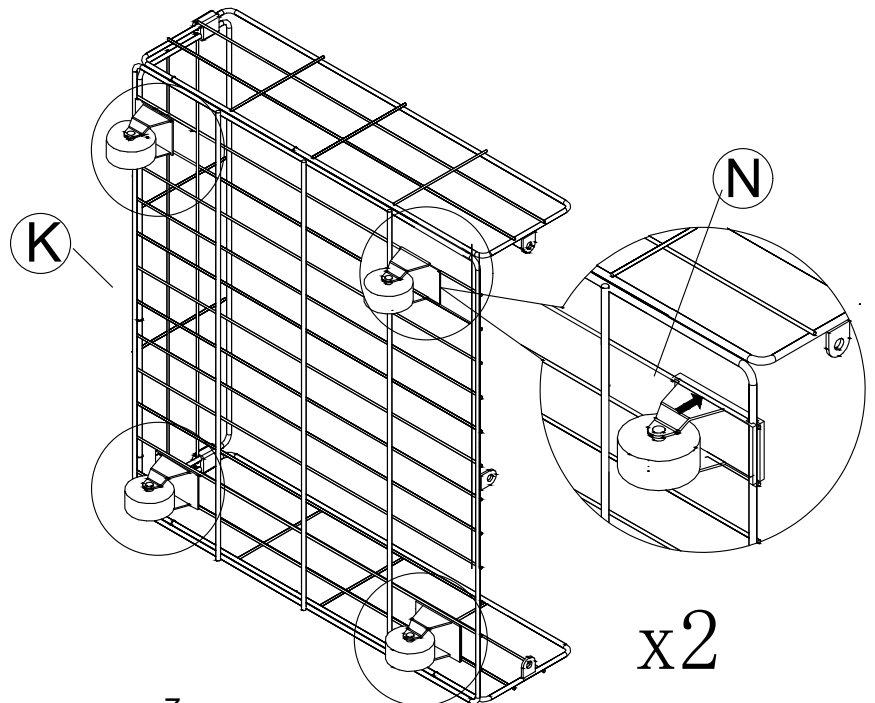


STEP 5



N x 8PCS

STEP 6

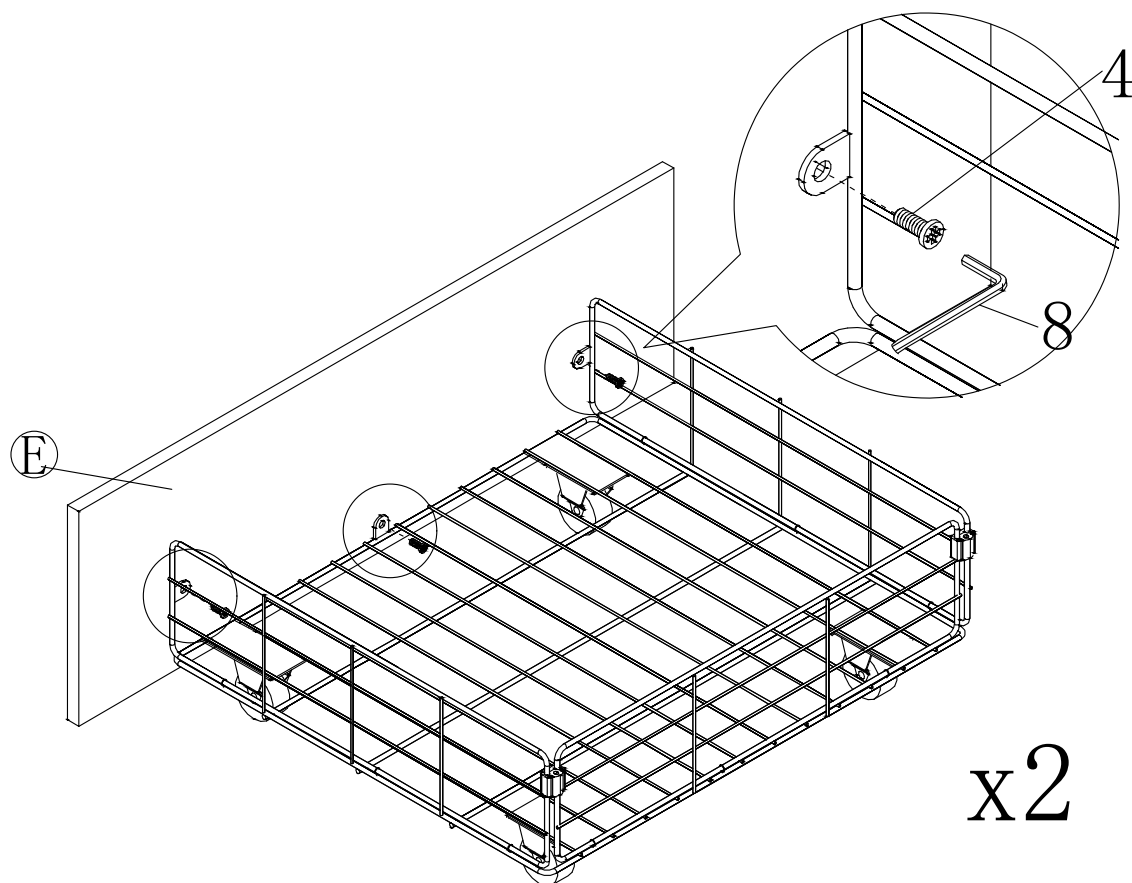


STEP 7

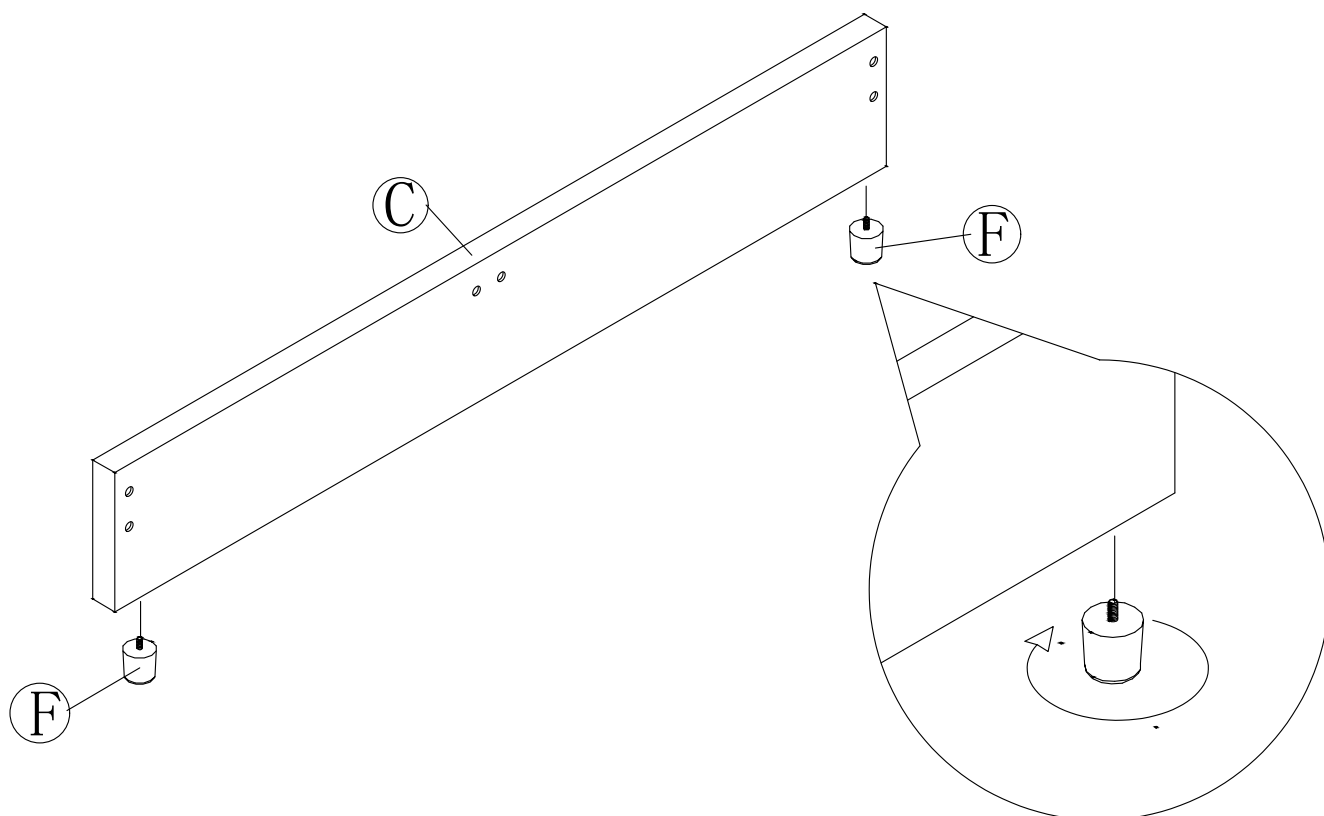
4



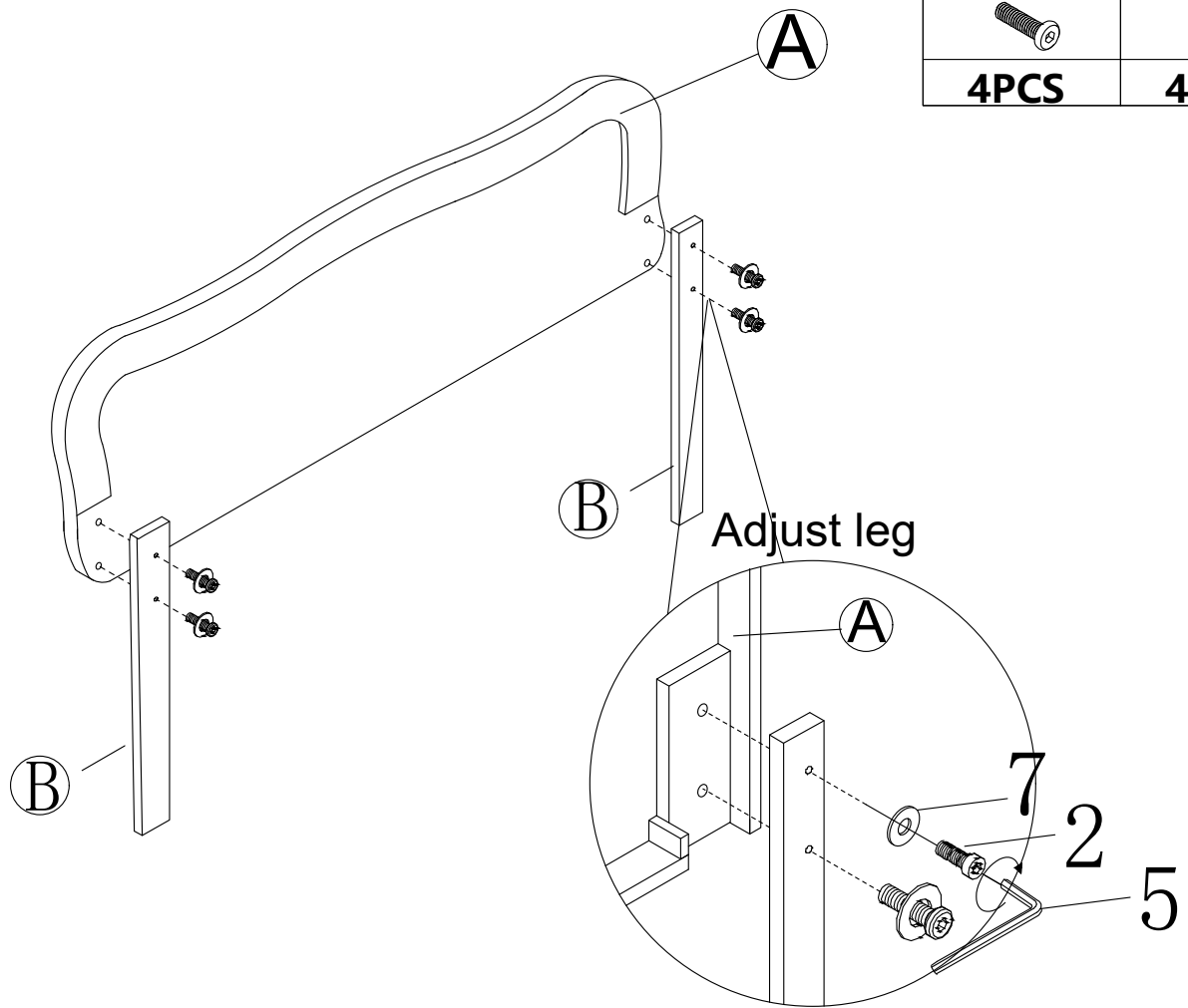
6PCS





STEP 8

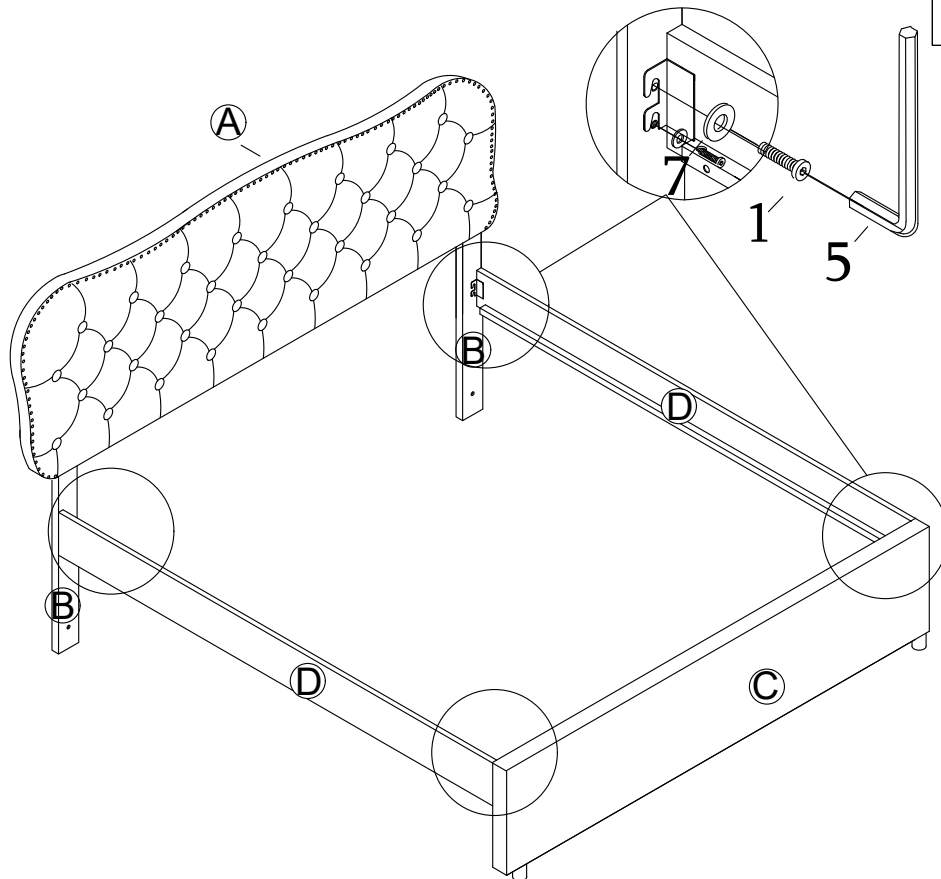


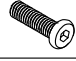

STEP 9



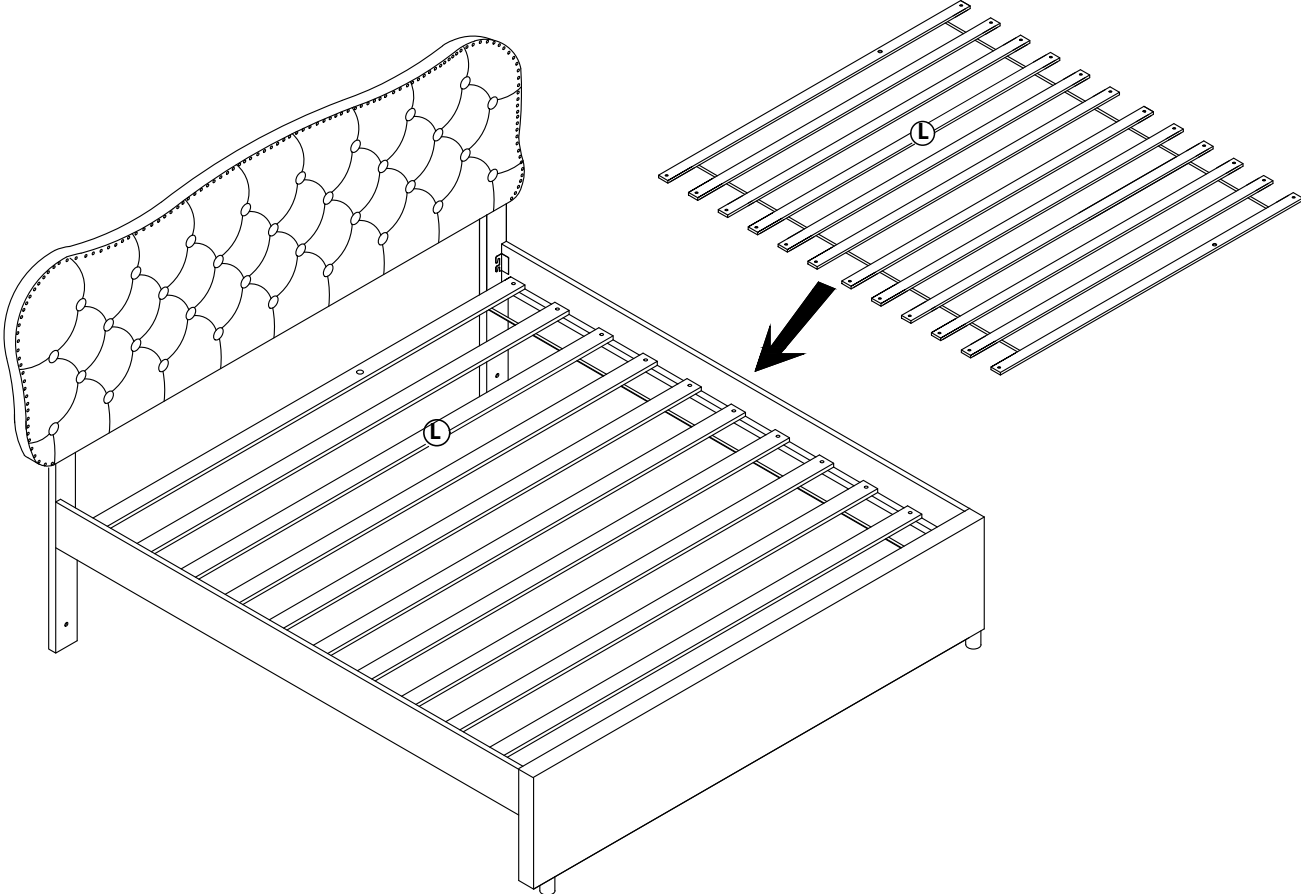
2	7
	
4PCS	4PCS

STEP 10

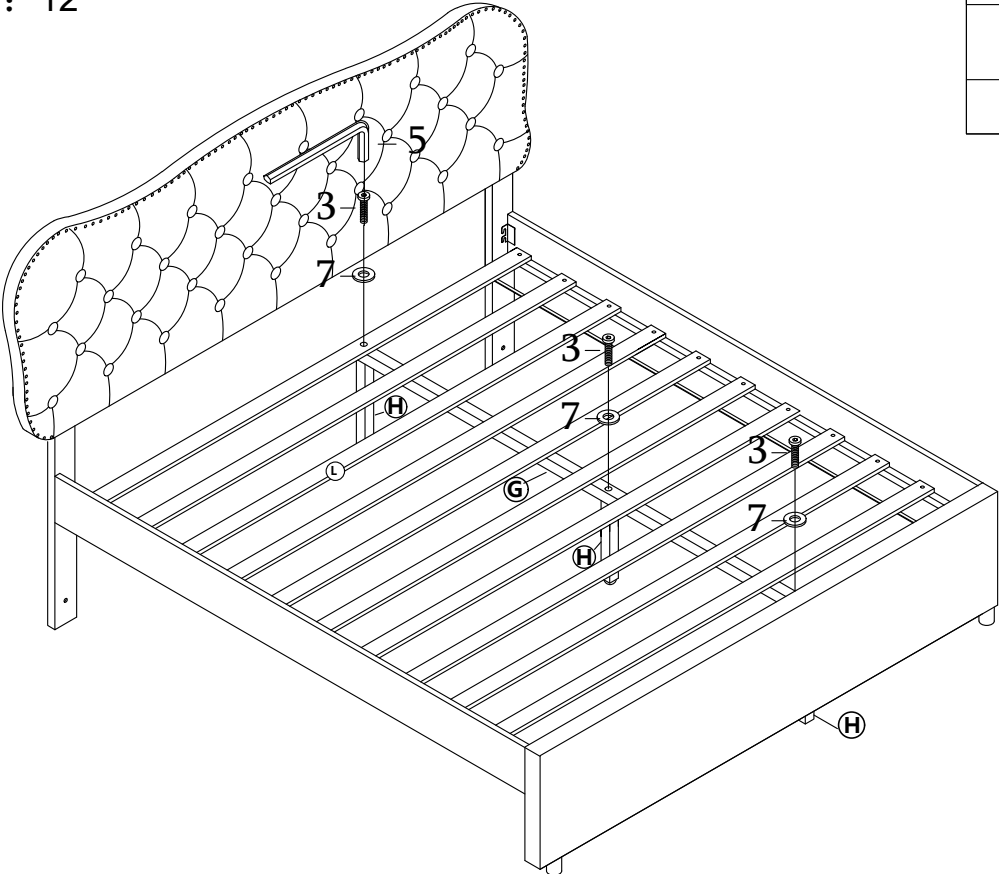




1	7
	
8PCS	8PCS

STEP: 11

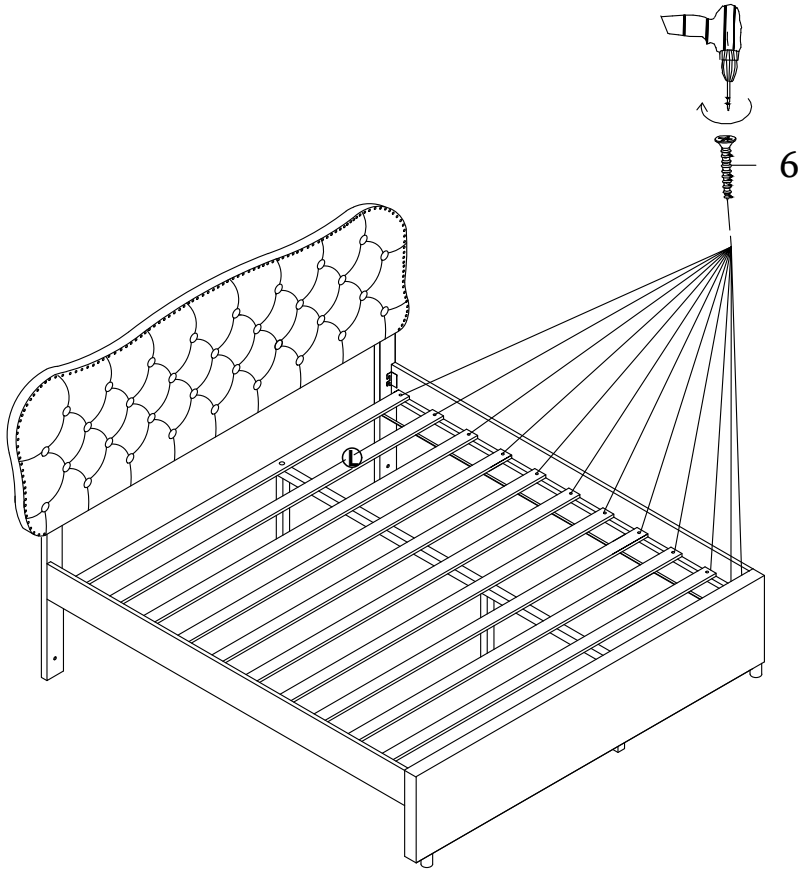


STEP: 12



3	7
	
3PCS	3PCS

STEP: 13

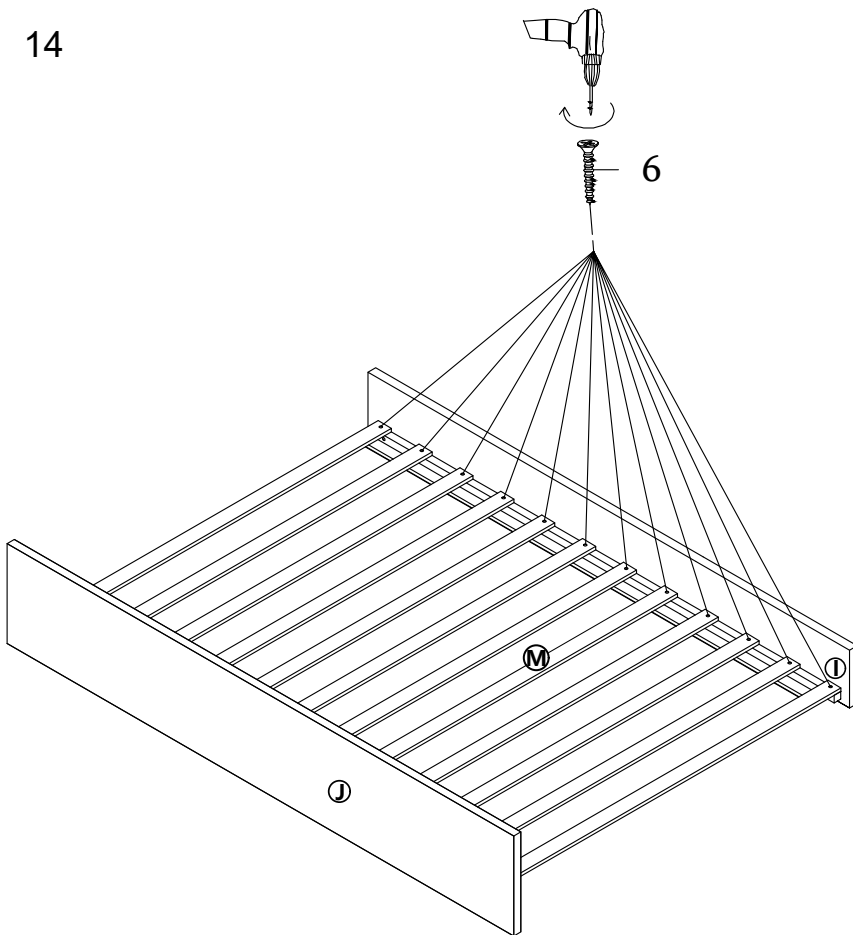


6



24PCS

STEP: 14



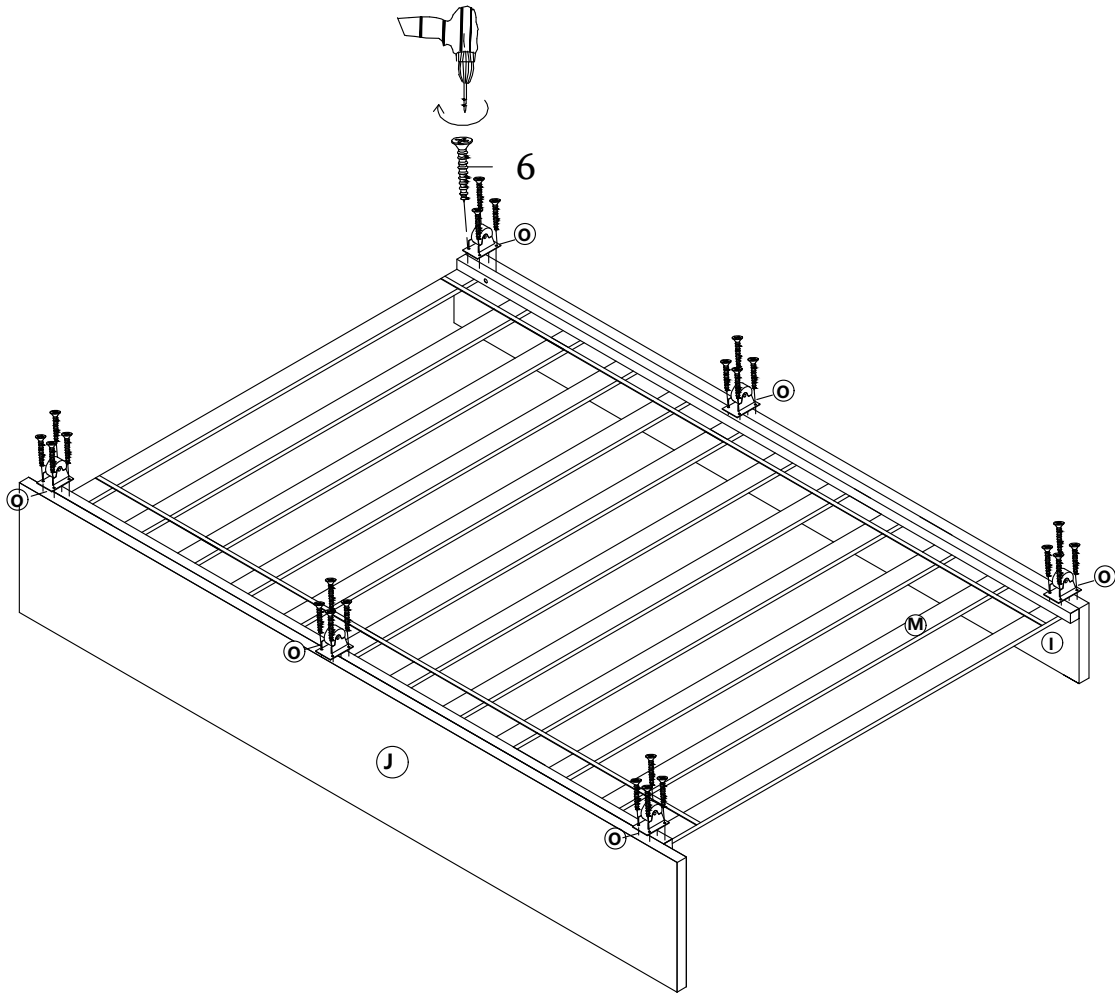
6



24PCS

11

STEP: 15

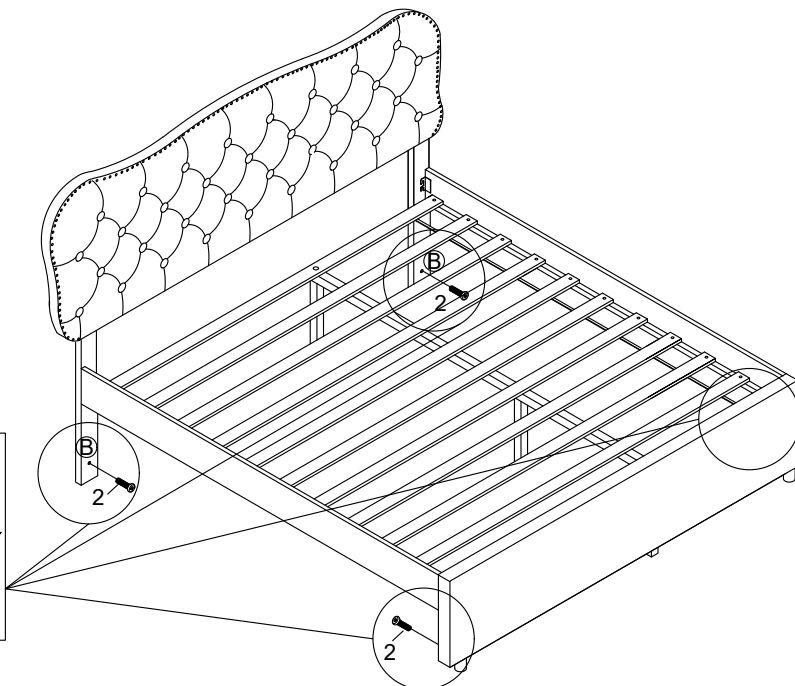


6

6

24PCS

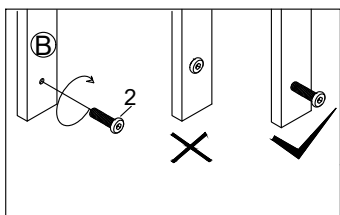
STEP: 16



2

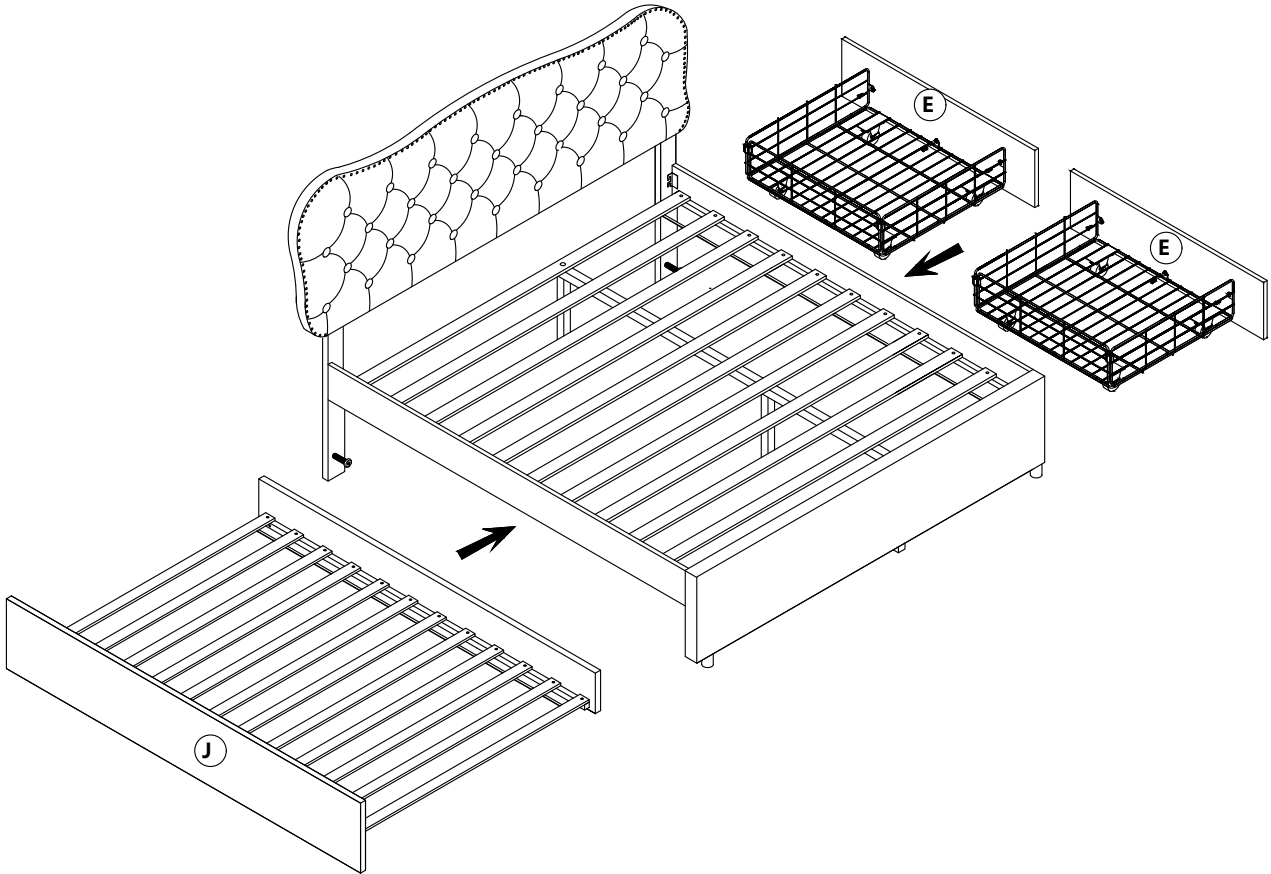


4PCS



12

STEP: 17



STEP: 18

