

THKFBV037BK0YW

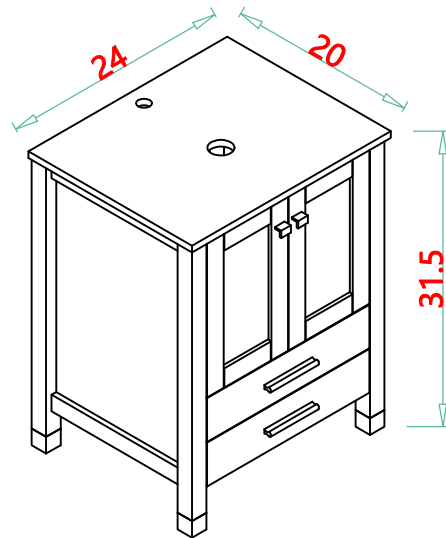
THKFBV037WH0YW

INSTALLATION INSTRUCTIONS

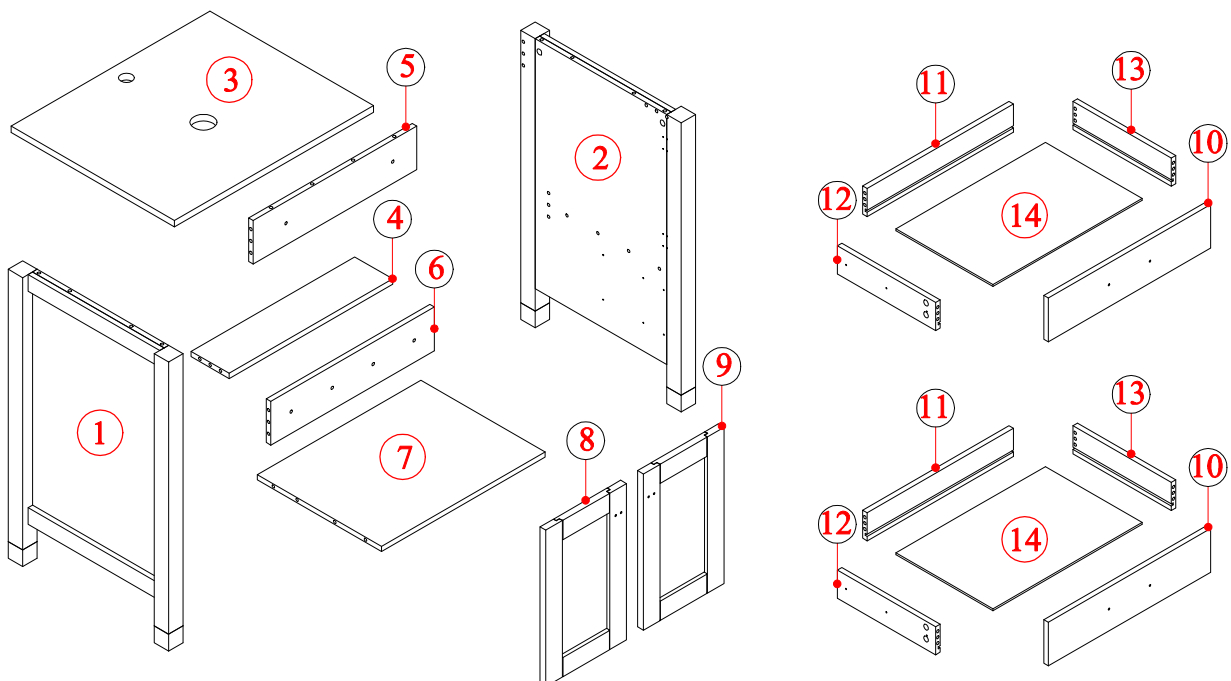
*The vessel and faucet set is not included

DIMENSIONS

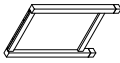

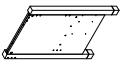

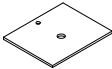

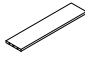

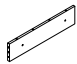

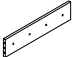



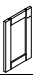
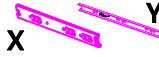


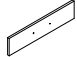


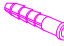

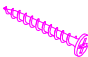


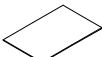
Unit: inch



ASSEMBLY DIAGRAM

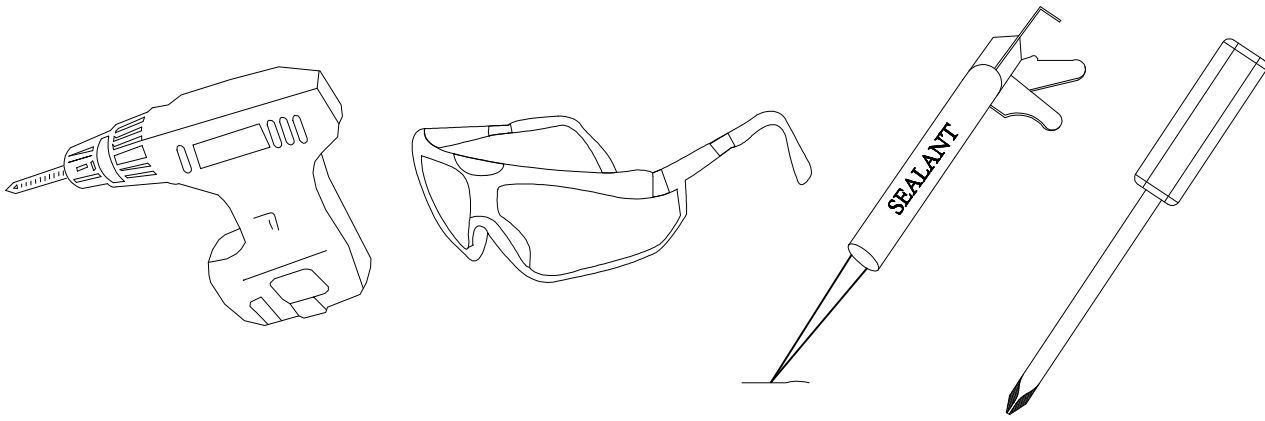


PARTS LIST

PARTS LIST			HARDWARE LIST		
No.	Description	QTY	No.	Description	QTY
1		1	A	 Three-in-one Connector	40
2		1	B	 Handle	2
3		1	B	 Handle Screws M4x 16	4
4		1	C	 Handle	2
5		1	C	 Handle Screws M4x20	4
6		1	D	 Hinges	4
7		1	E	 Screws M 4x12	24
8		1	F	 Slider	4
9		1	G	 Screws M 3.5x12	26
10		2	H	 Wood Plug	28
11		2	I	 Screws For Fix On The Wall	2
12		2	I	 Screws For Fix On The Wall	2
13		2	I	 Screws For Fix On The Wall	2
14		2			


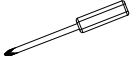
CAUTION: Please confirm the parts list before installtion

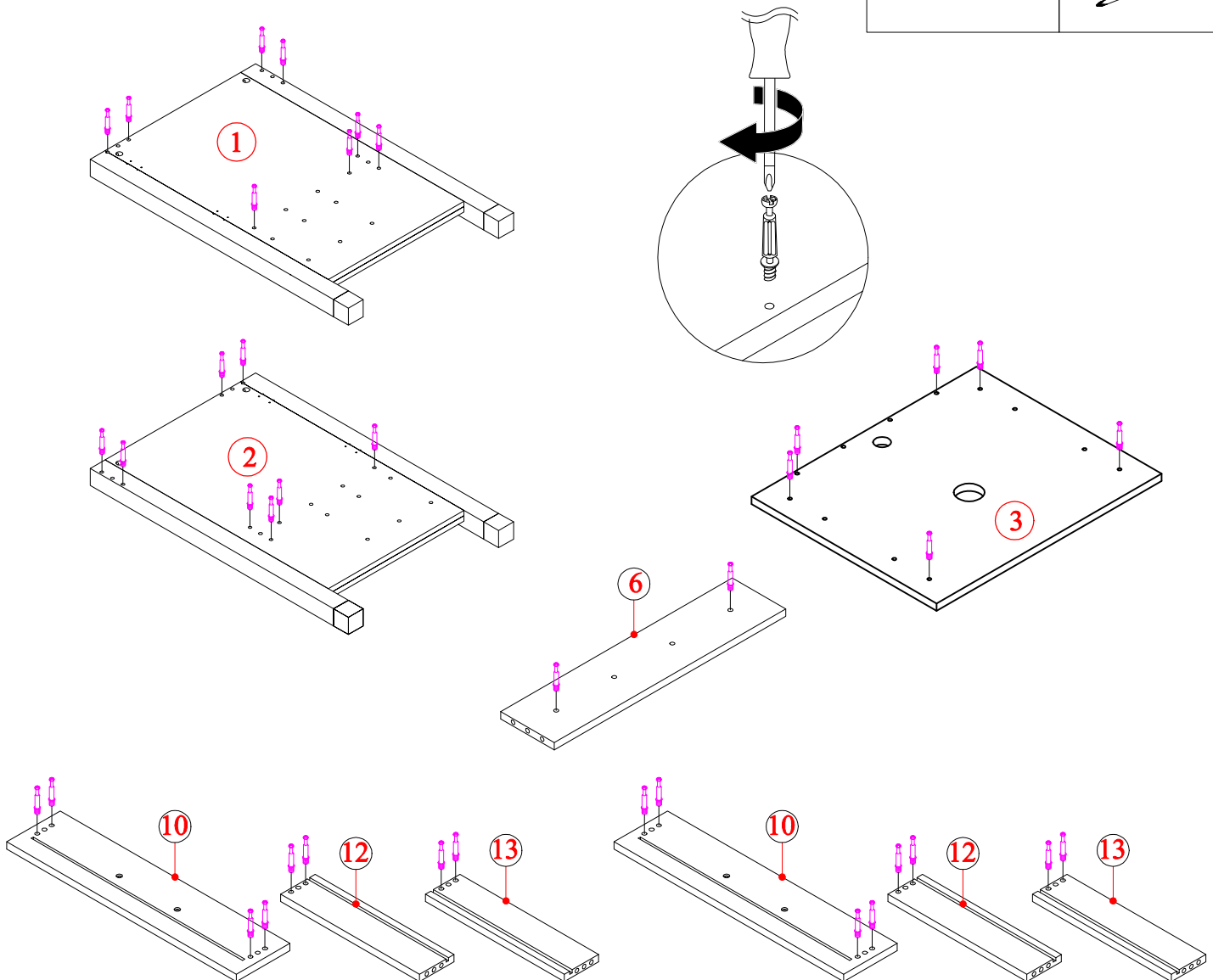
YOU MAY NEED (NOT SUPPLIED)



INSTALLATIONS


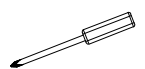

STEP 1

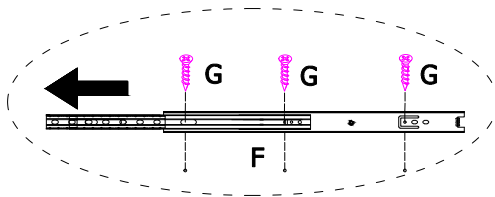
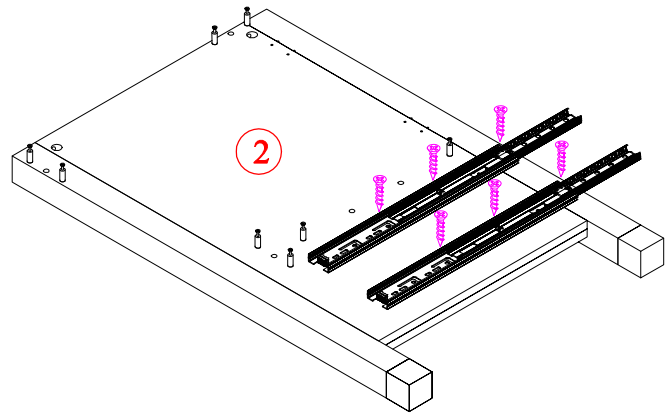
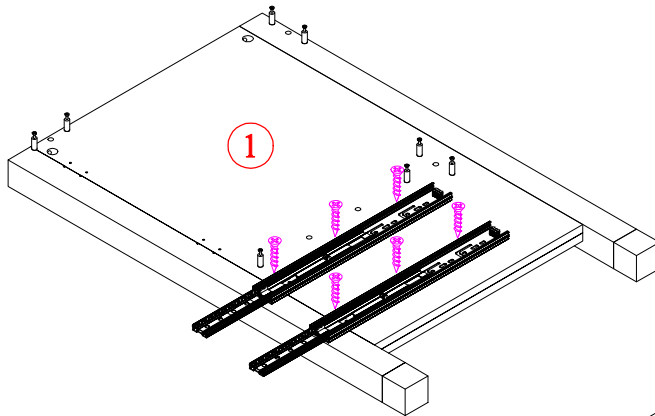
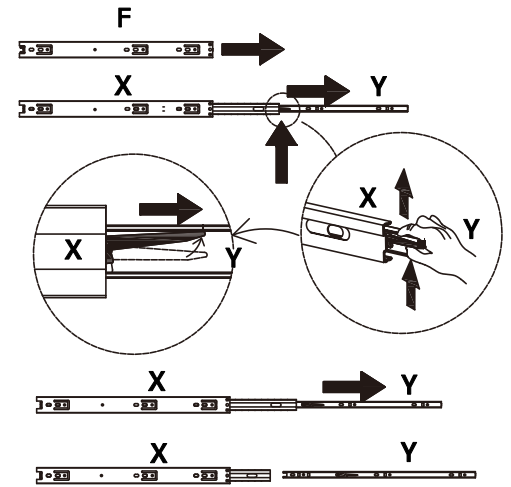
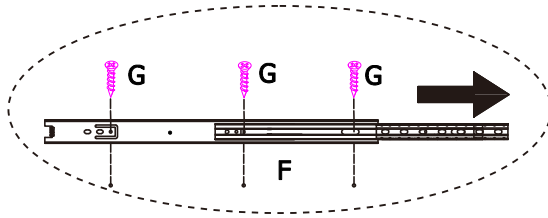
HARDWARE LIST	
A  40PCS	



• Insert the Cam Screw into the shelves above


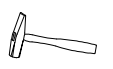
STEP 2

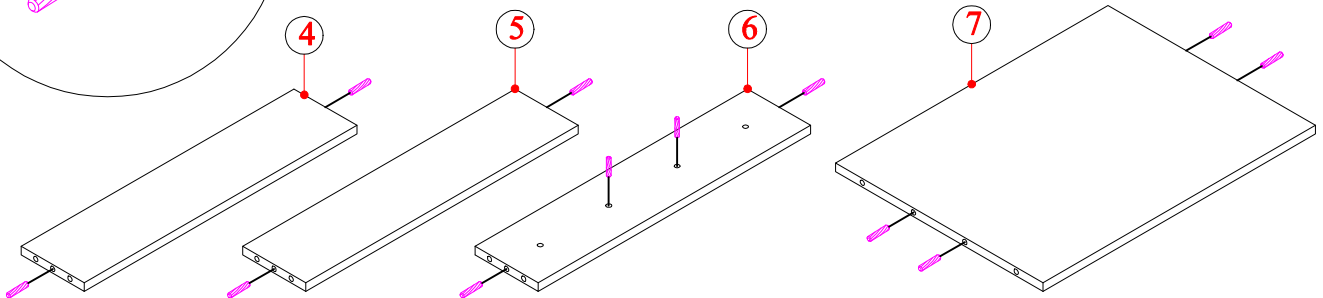
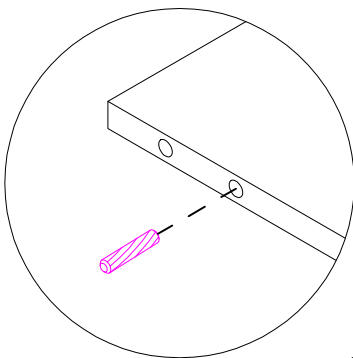
HARDWARE LIST	
F  X 4PCS	
G  12PCS	



- Refer to the illustration to fix the Slide rails to the board #1 and #2 with screws.

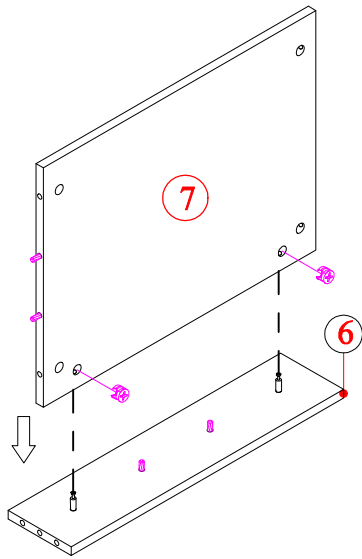
STEP 3


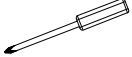
HARDWARE LIST	
H  12PCS	

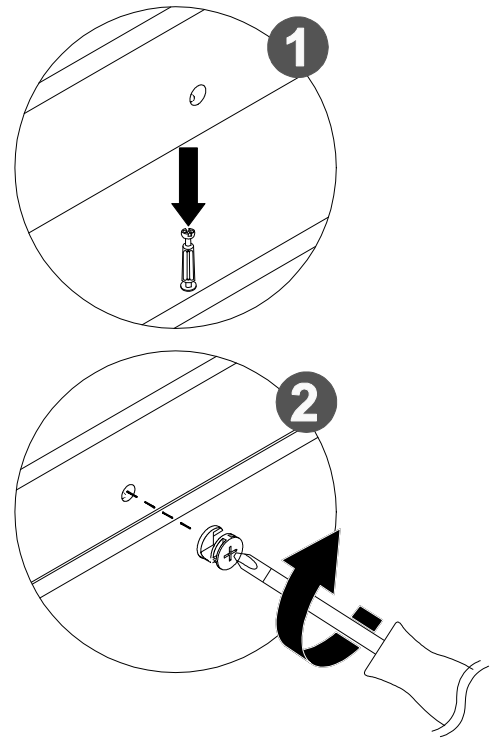


- Insert the wooden dowel pins into the shelves

STEP 4

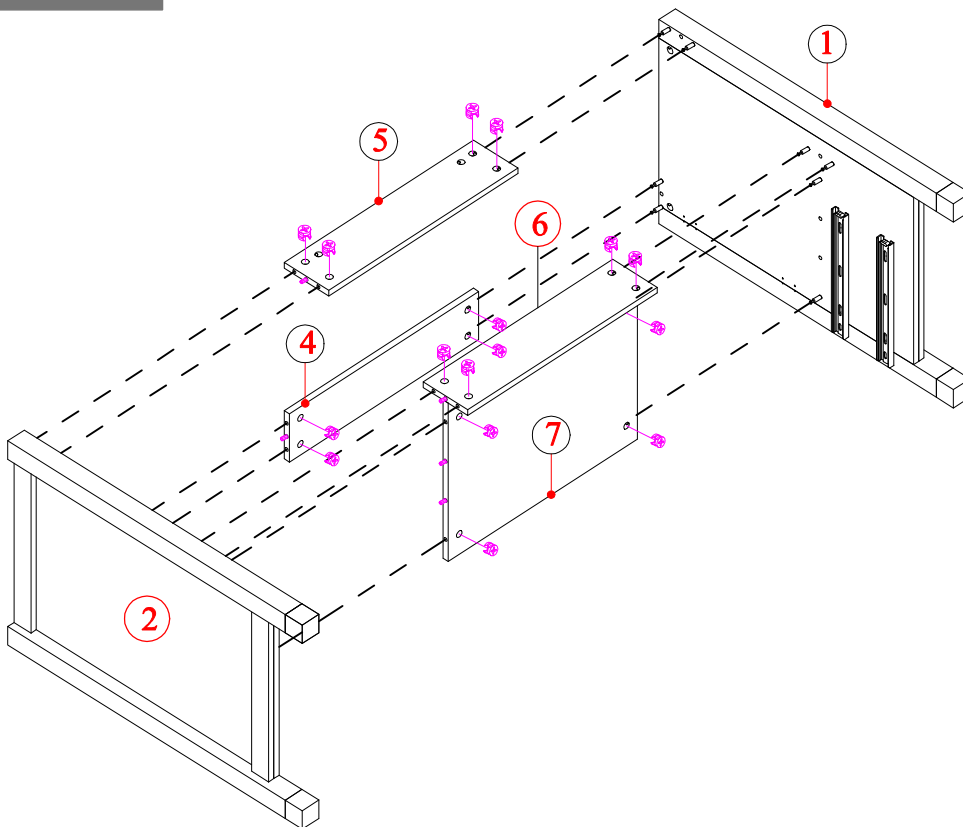



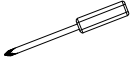
HARDWARE LIST			
A		2PCS	

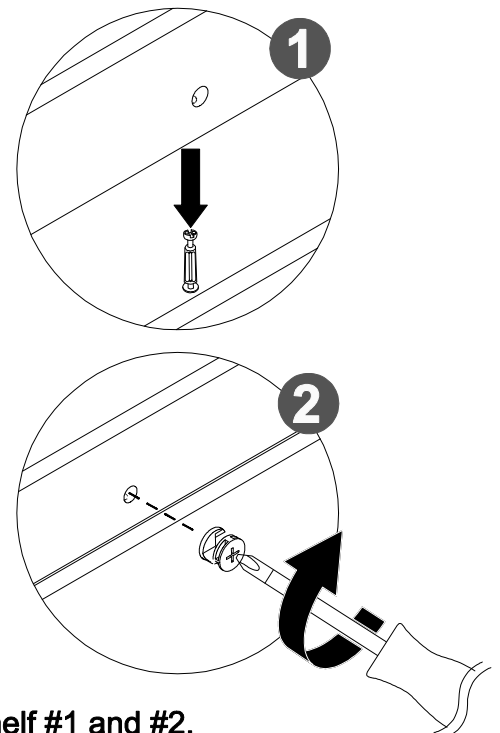


- Insert panel #6 and #7 to their corresponding positions. Then tighten the cam lock.

STEP 5

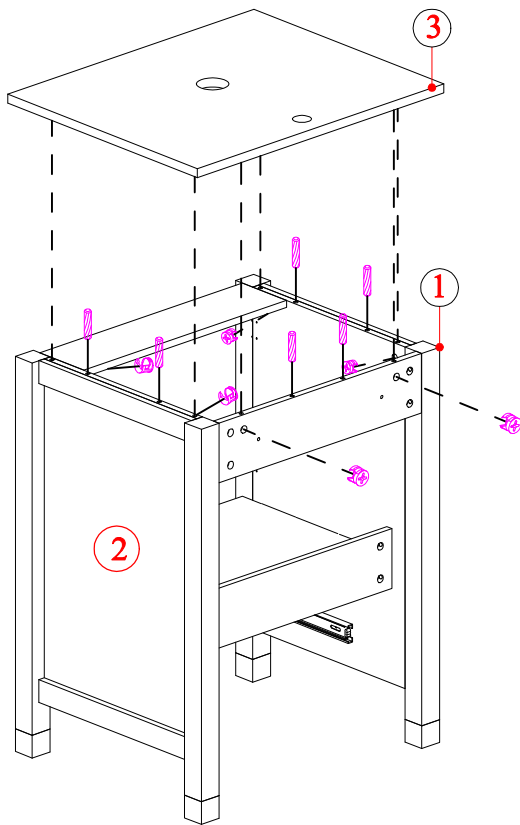



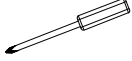

HARDWARE LIST			
A		16PCS	

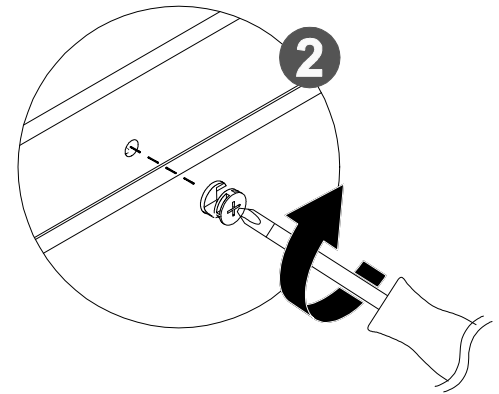
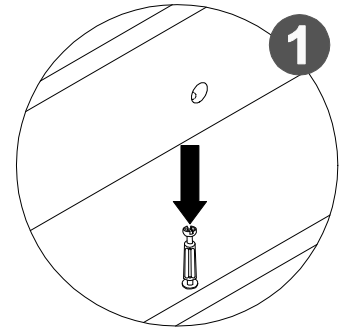


- Refer to the illustration, already assembled #4,#5,#6,#7 on the shelf #1 and #2. Then tighten the cam lock.

STEP 6


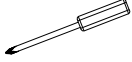





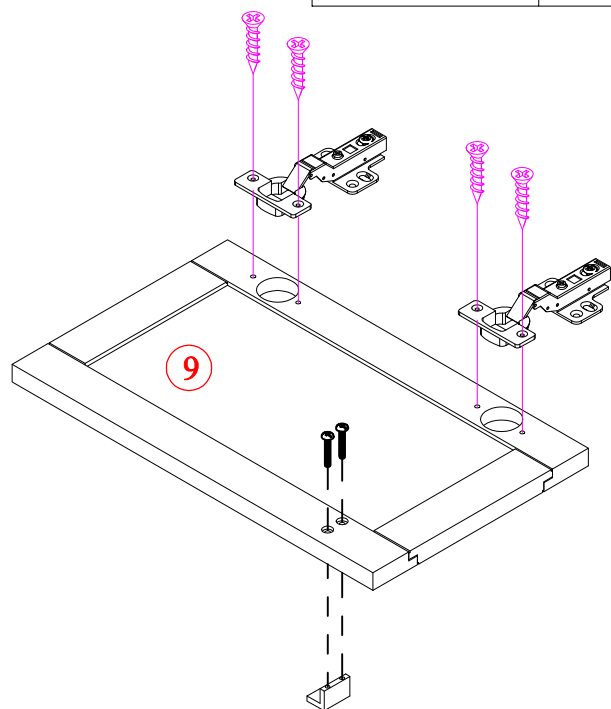
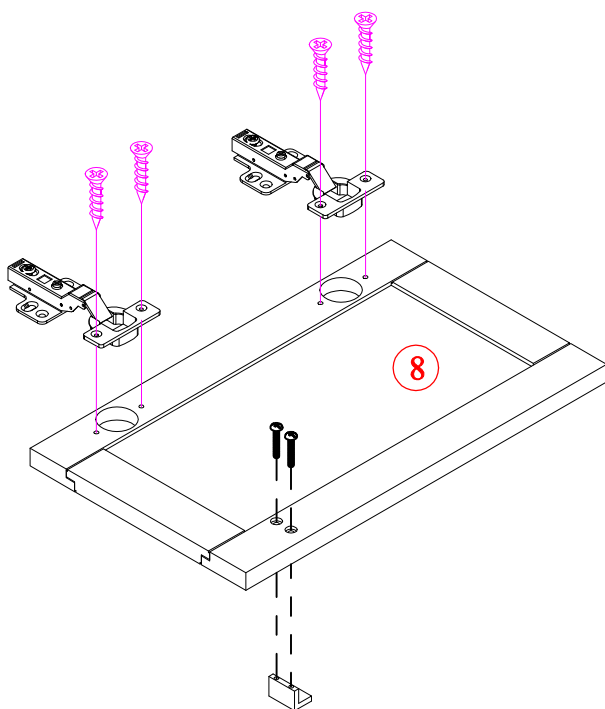
HARDWARE LIST			
A		6PCS	
H		6PCS	



- Insert the wooden dowel pins into the panel #1 and #2
- Insert panel #3 to their corresponding positions. Then tighten the cam lock.

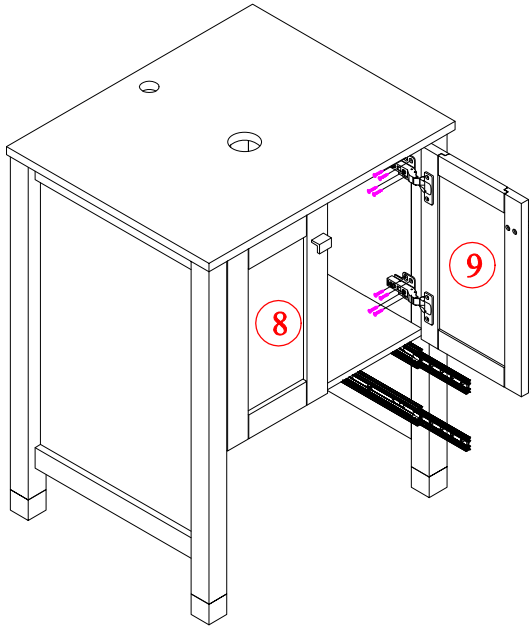
STEP 7


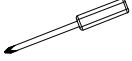
HARDWARE LIST			
C		2PCS	
C		4PCS	
D		4PCS	
E		8PCS	

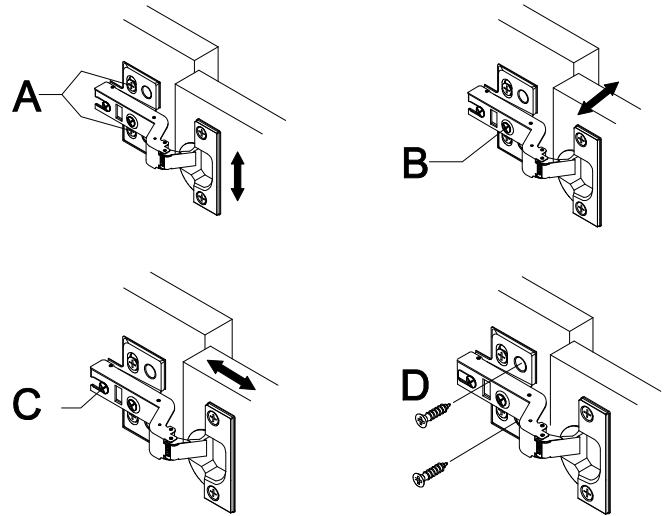


- Use Screws to install the handle and apply Screws to fix the hinge on the shelf #8 and #9.

STEP 8



HARDWARE LIST		
E		16PCS
		



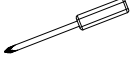


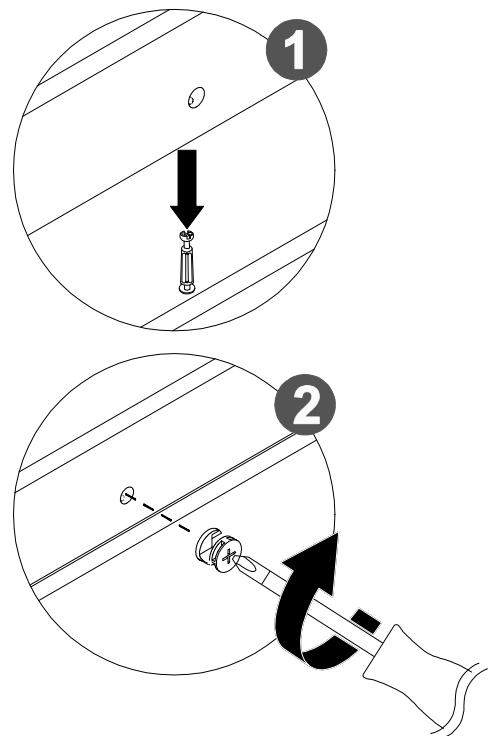
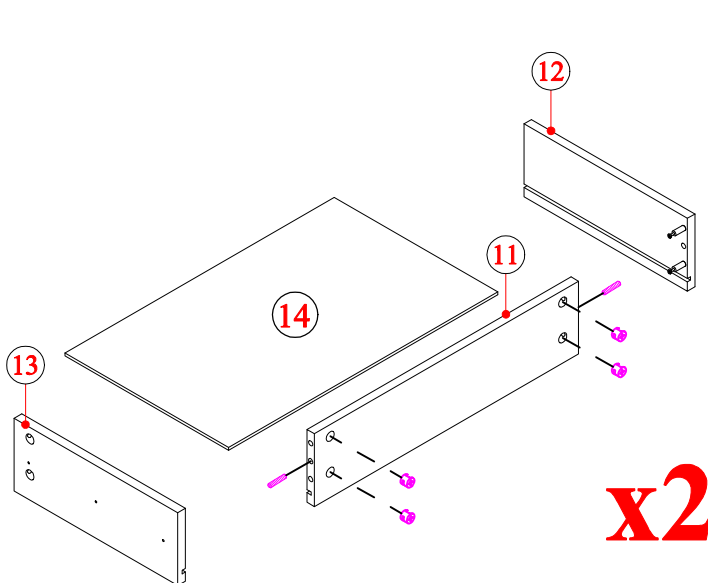
A. Height adjustment
C. Depth adjustment

B. Side to side adjustment
D. After adjustment A/B/C, tighten screws

- To ensure proper cabinet alignment, refer to the above illustrations for instructions about adjusting the cabinet height, depth and lateral movement.


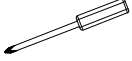

STEP 9

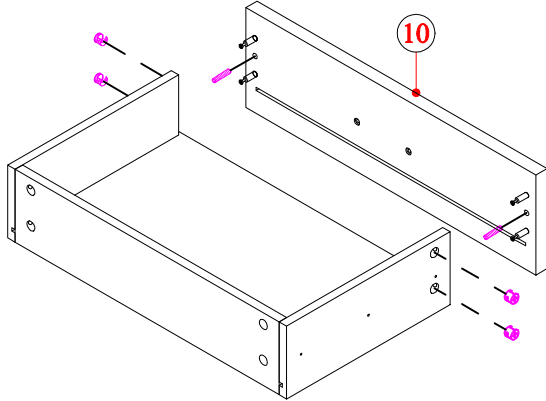
HARDWARE LIST		
A		8PCS
H		4PCS
		



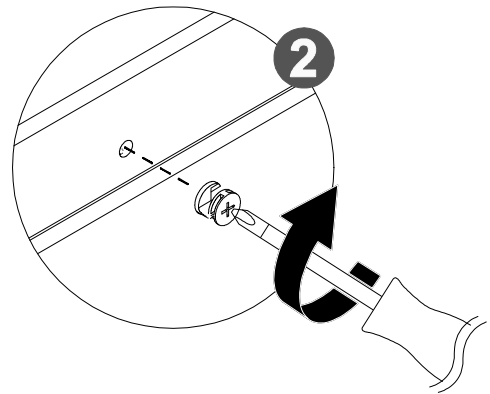
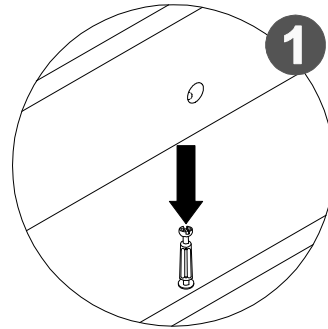
- Insert the wooden dowel pins into the panel #11
- Insert shelves #11,#12, #13 and #14 to their corresponding positions. Then tighten the cam lock.

STEP 10

HARDWARE LIST			
A		8PCS	
H		4PCS	


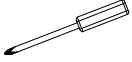





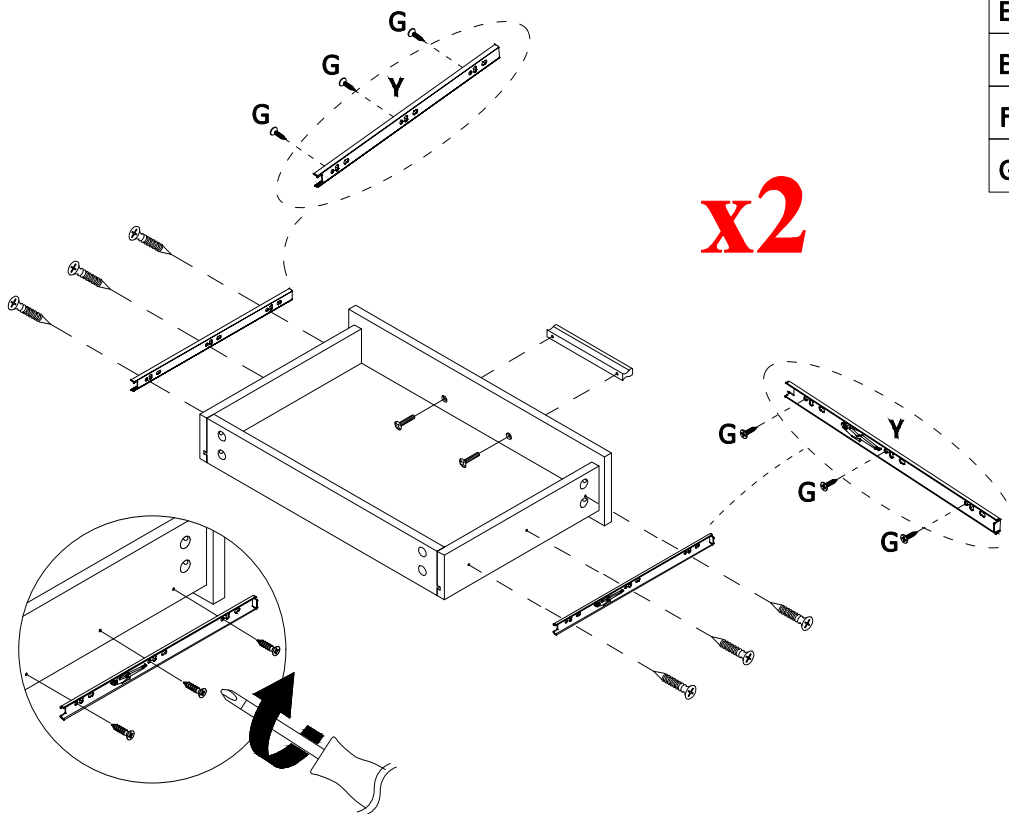
x2



- Insert the wooden dowel pins into the panel #10
- Insert drawer panel to their corresponding positions. Then tighten the cam lock.

STEP 11

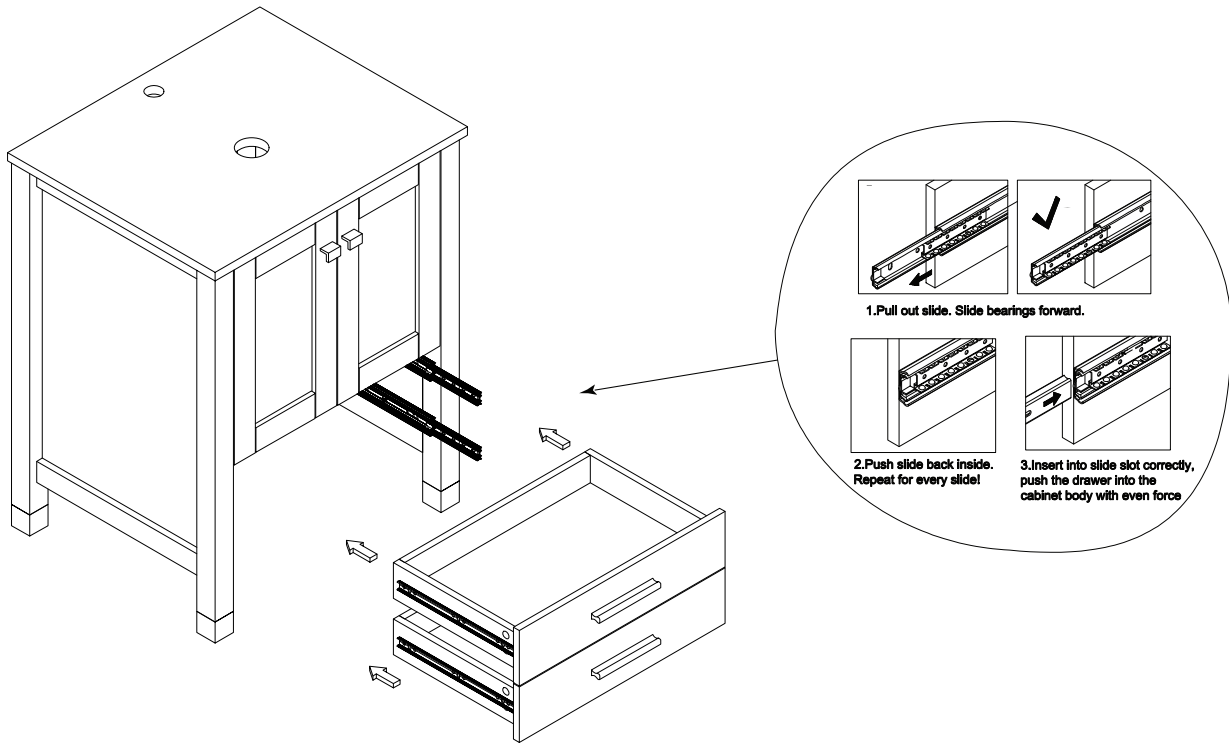
HARDWARE LIST			
B		2PCS	
B		4PCS	
F		4PCS	
G		12PCS	



x2

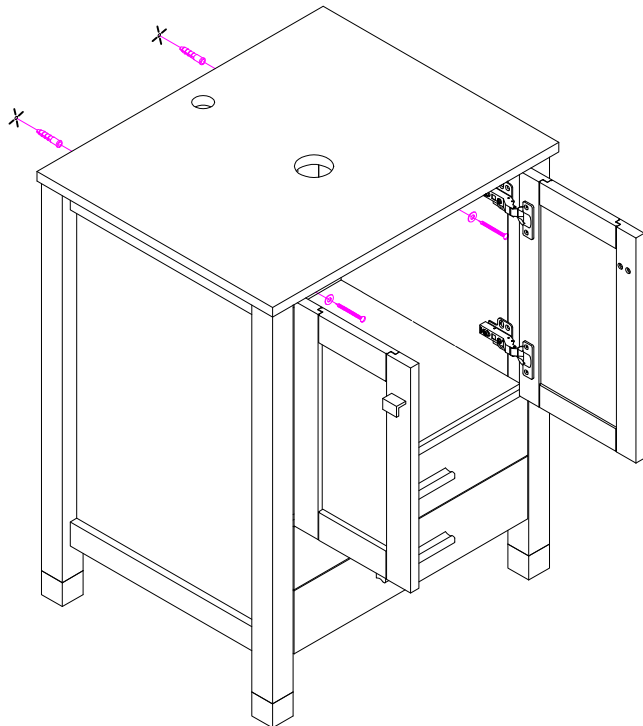
- Refer to the illustration, Apply Screws to fix the Slides on the panel #12, #13.
- Use Screws to install the handle


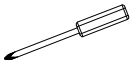


STEP 12

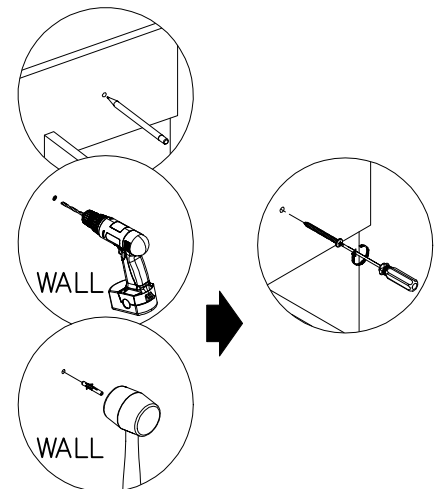


- If the drawers are not in the same level, please adjust the screws in the drawer box.
- Assembled drawers are loaded onto cabinets.

STEP 13

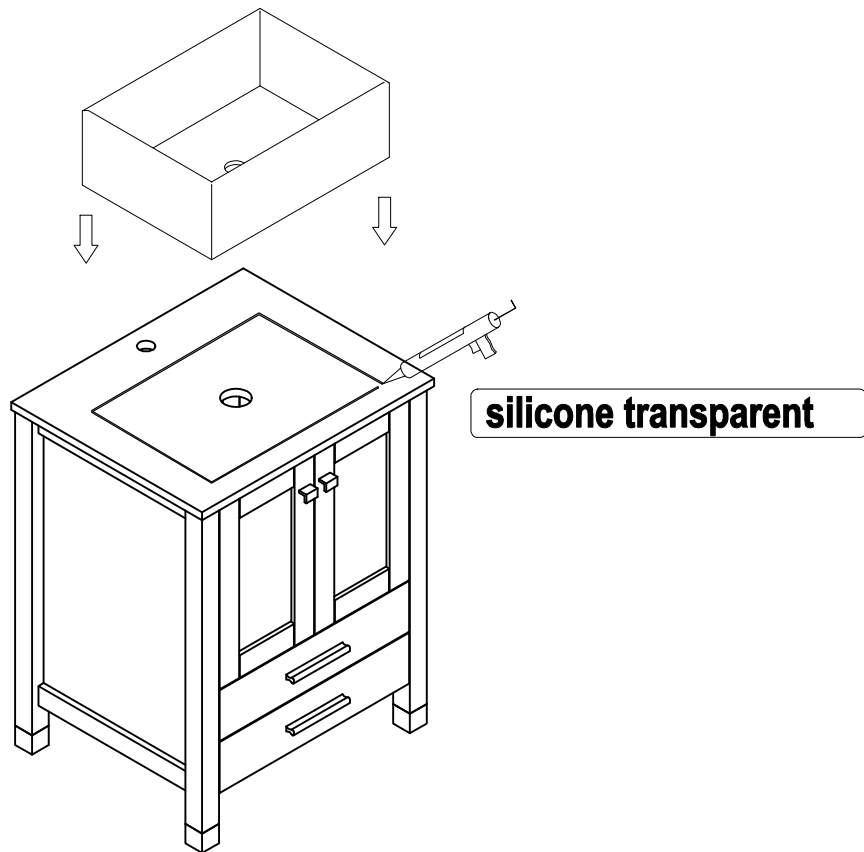


HARDWARE LIST			
I		2PCS	
I		2PCS	
I		2PCS	

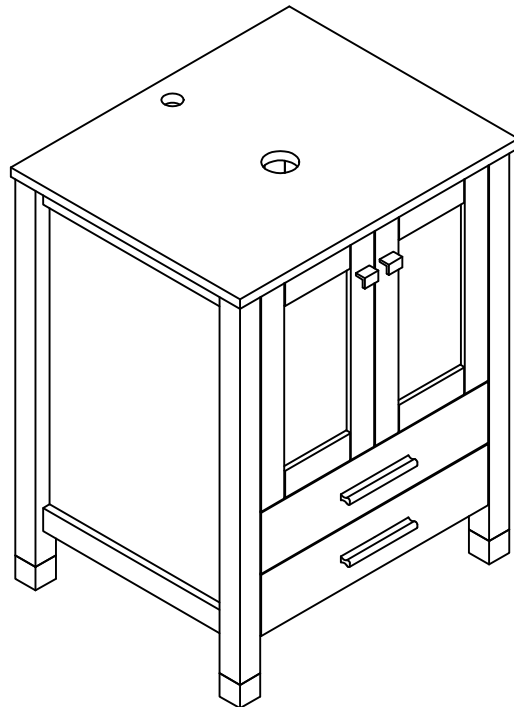


- Refer to the illustration, Draw the spacing between the walls on the cabinet, punch holes in the wall, and fix the cabinet to the wall with screws.

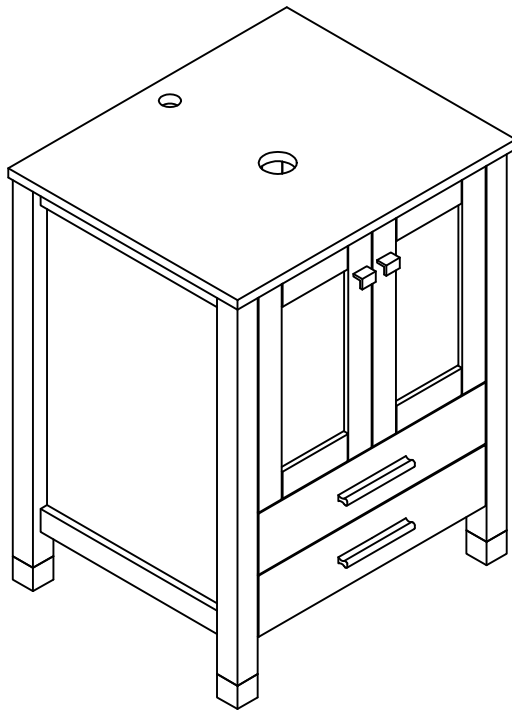
STEP 14



STEP 15



- To help prevent mildew, apply sealant to the space between the wall and the edge of the cabinet.



Thank you very much for purchasing from us.

We have always been trying to provide the best service and reliable products for every customer.

However, accident may happen sometimes, please contact us to resolve any issue before leaving a negative feedback.

Many thanks and welcome to our shop again!

Contact number: (323) 393-8260

E-mail: service@eclifeusa.com