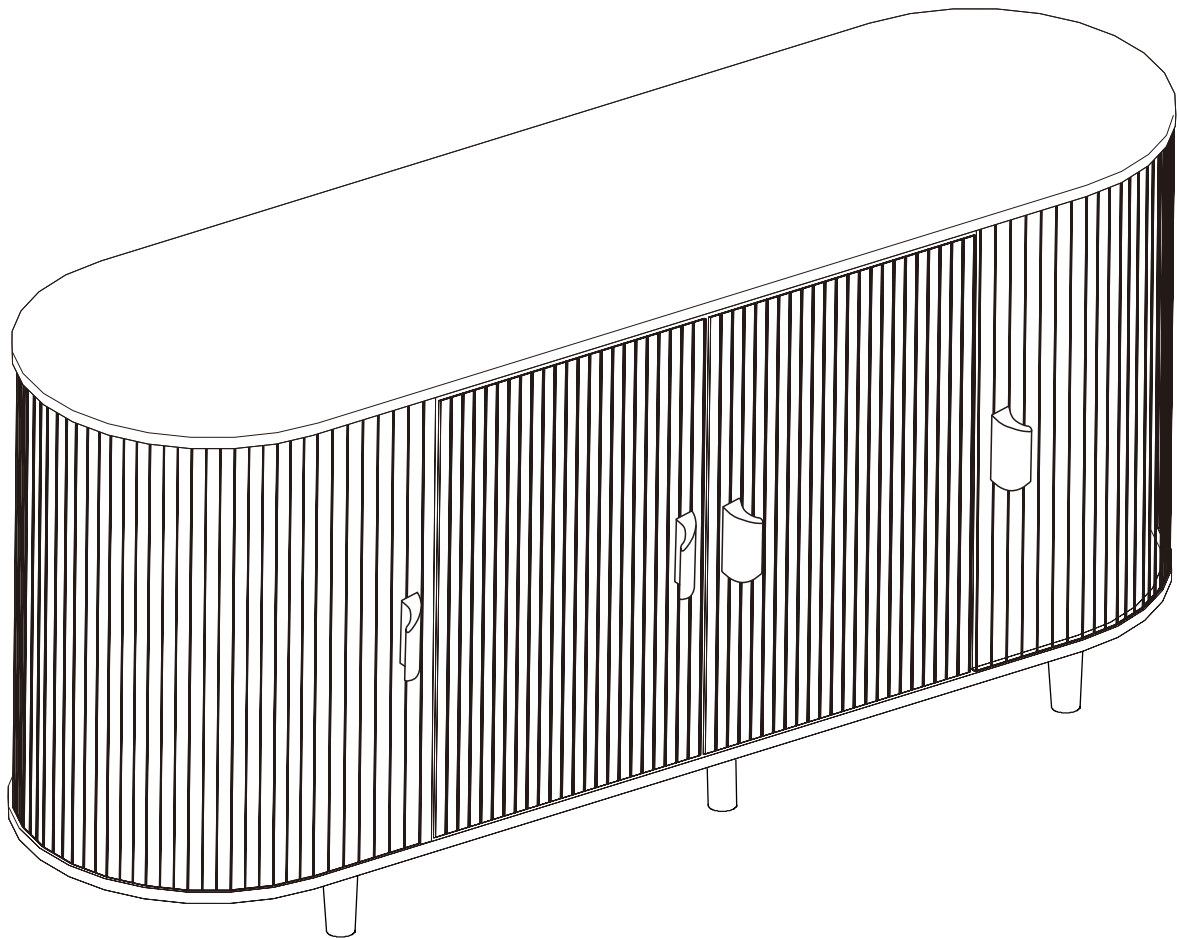


Installation Instruction



Product name

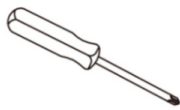
4 Door Cabinet

Ver.1.0 20240220

Assembling

What you need

- Use the packaging carton as a working surface to prevent product damage during assembly
- Phillips head screwdriver



Weight Limitation



30 | **11** |
lbs Cabinet Top lbs per shelf

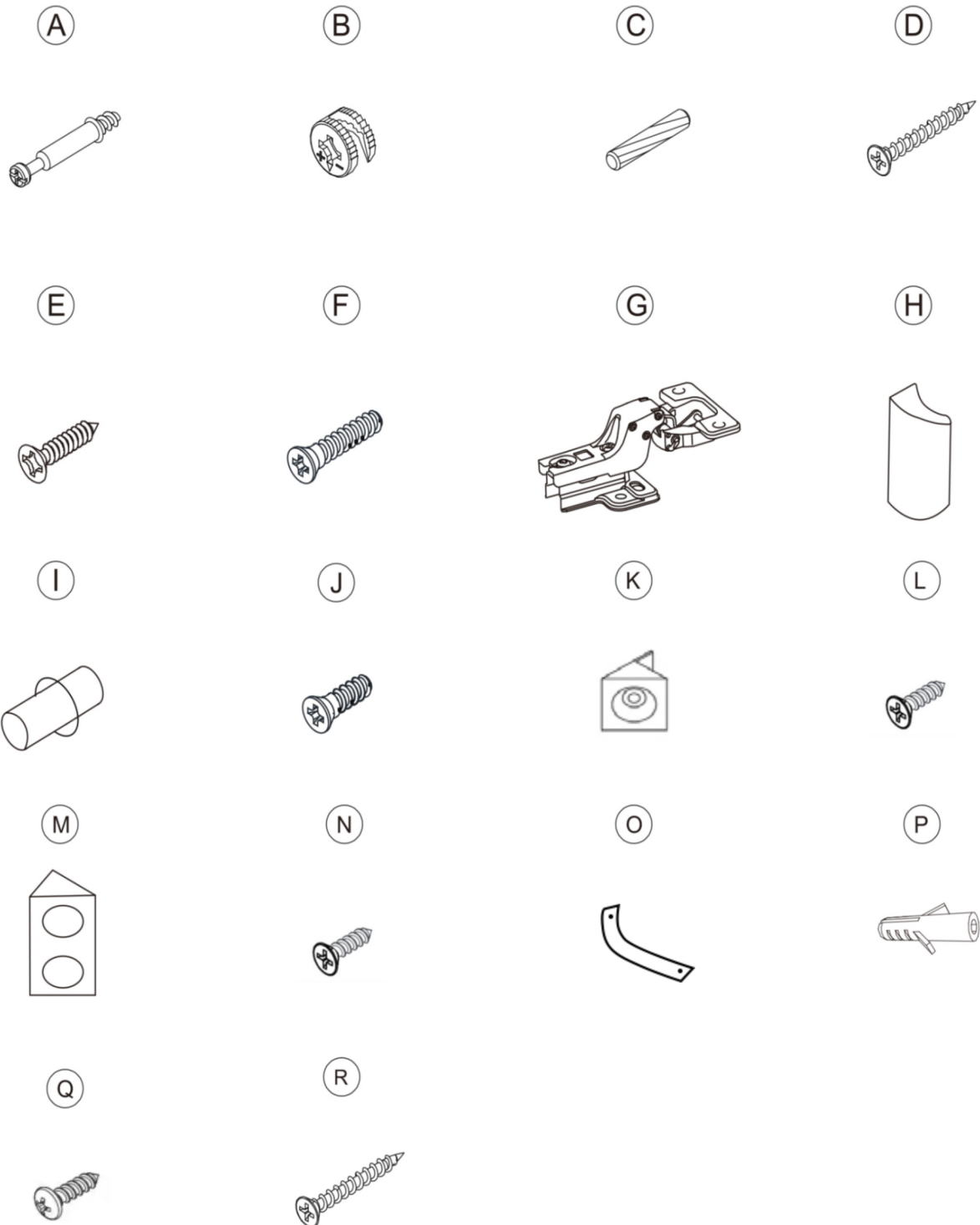


2 PERSONS

What 's included

Code	Description	Qty
A	Cam Bolt M6X35MM	16
B	Cam Lock 15X10MM	16
C	Wooden Dowel M6X30MM	20
D	Screw M4X35MM	12
E	Screw M4X16MM	24
F	Screw M4X25MM	4
G	Hinge	4
H	Handle	4
I	Metal Support	4
J	Screw M4X20MM	4
K	Plastic Corner Support	8
L	Screw M3X14MM	8
M	Plastic Door Catcher	1
N	Screw M3.5X14MM	2
O	Nylon Strap	2
P	Anchor M6X30MM	2
Q	Screw M4X12MM	2
R	Screw M4X35MM	2

The hardwares



IMPORTANT :

1. Do not tighten bolts / screws completely until all bolts / screws are lined up and inserted into holes.
2. Do not over tighten screws and bolts to avoid stripping.
3. Please use hand tools to assemble this product. Do not use power tools.
4. Must need 2 people to assemble this product.

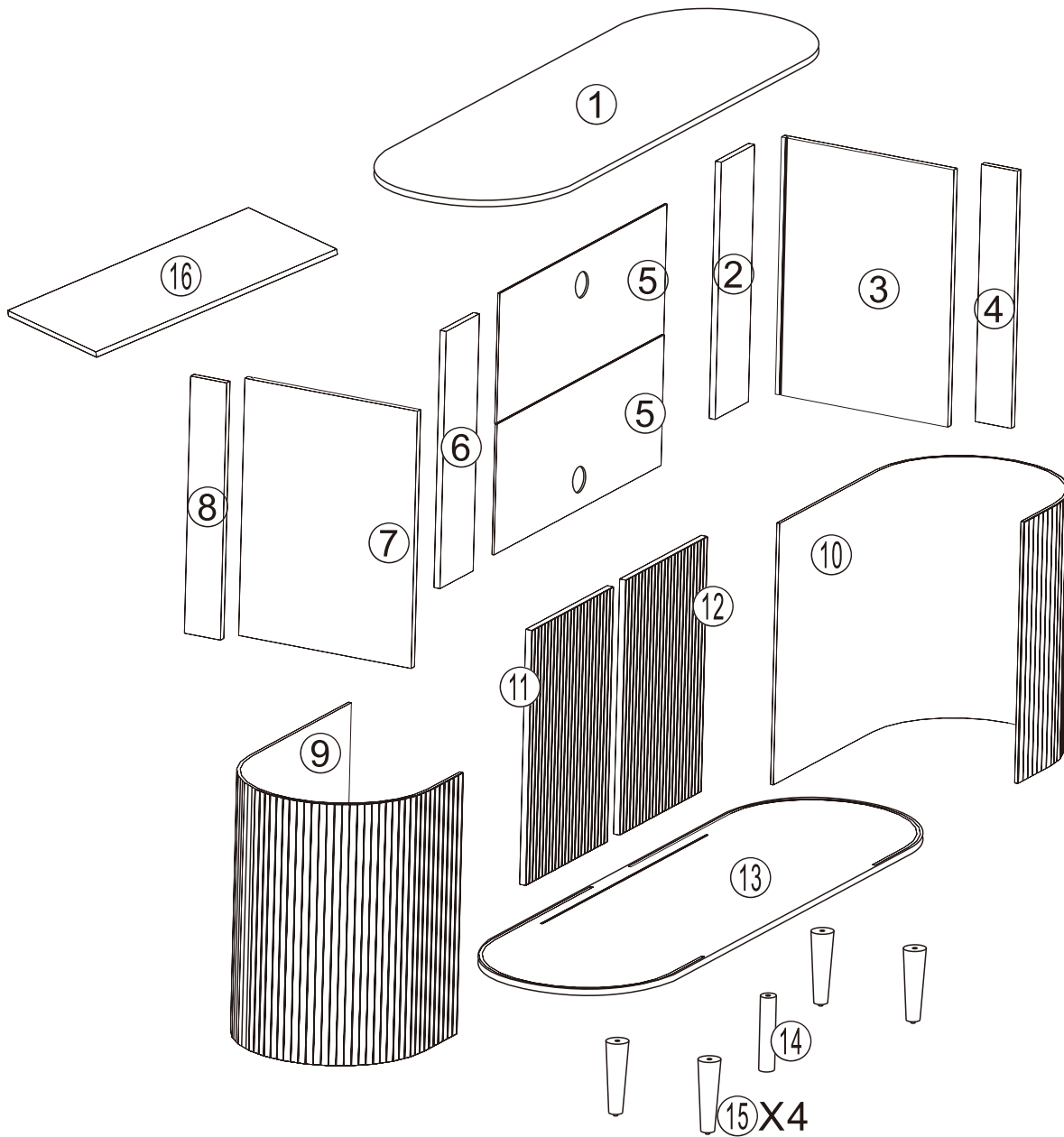


2 PERSONS

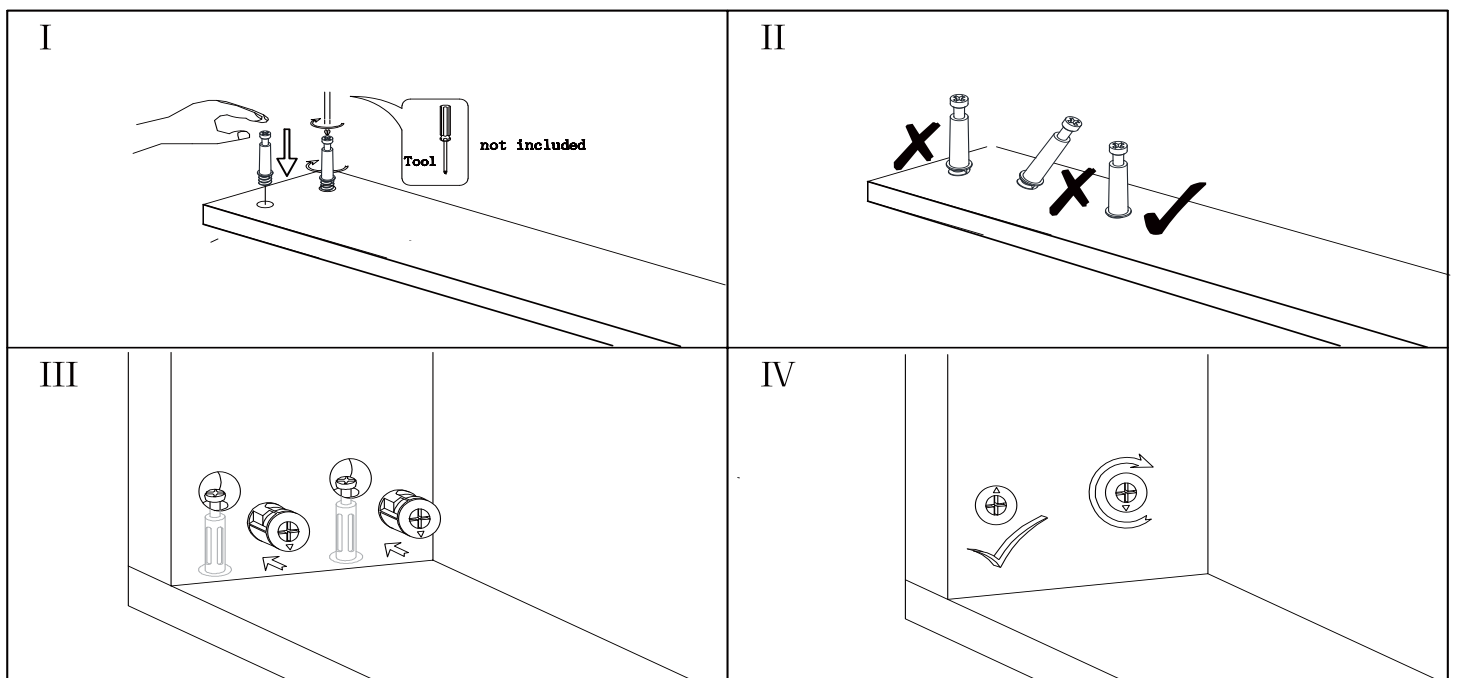
Included Accessories

Code	Description	Qty
1	Cabinet Top	1
2	Right Vertical Back Panel	1
3	Right Division Panel	1
4	Right Side Panel	1
5	Back Panel	2
6	Left Vertical Back Panel	1
7	Left Division Panel	1
8	Left Side Panel	1
9	Left Sliding Door	1
10	Right Sliding Door	1
11	Left Door	1
12	Right Door	1
13	Bottom Panel	1
14	Middle Foot	1
15	Feet	4
16	Shelf	1

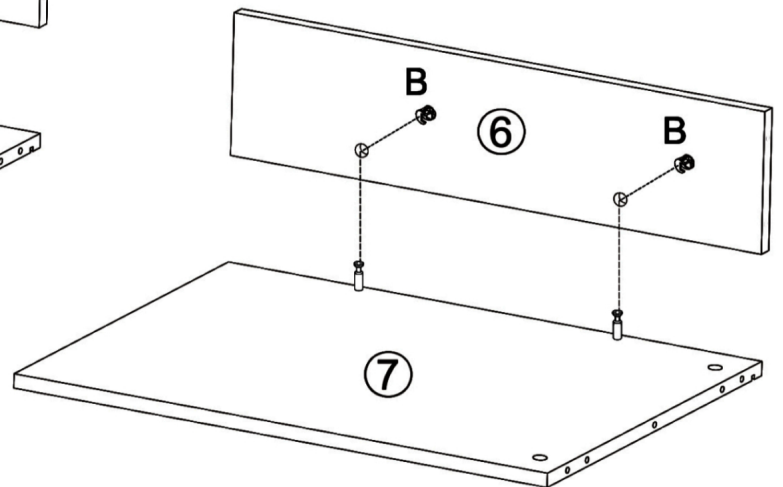
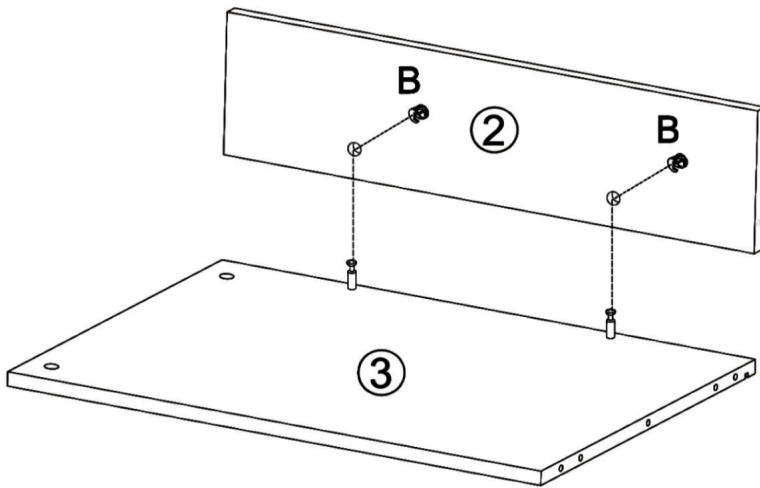
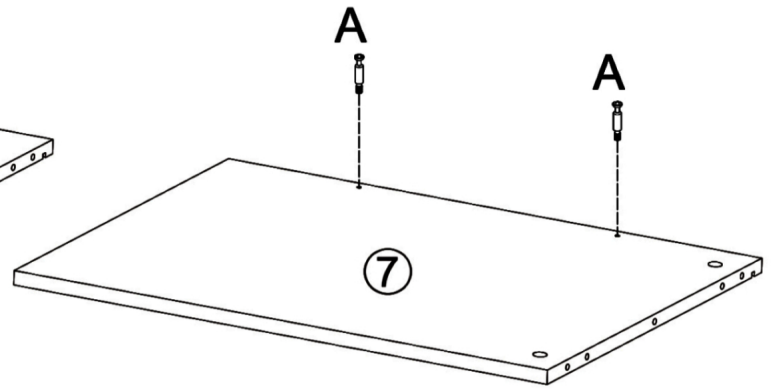
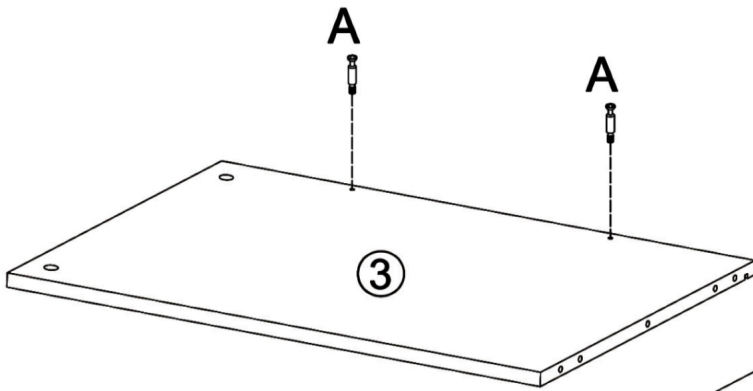
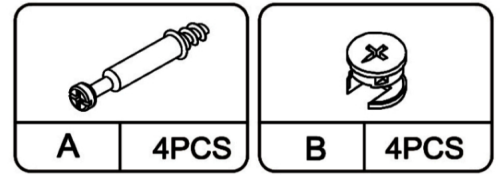
The Accessoriess



Noted :

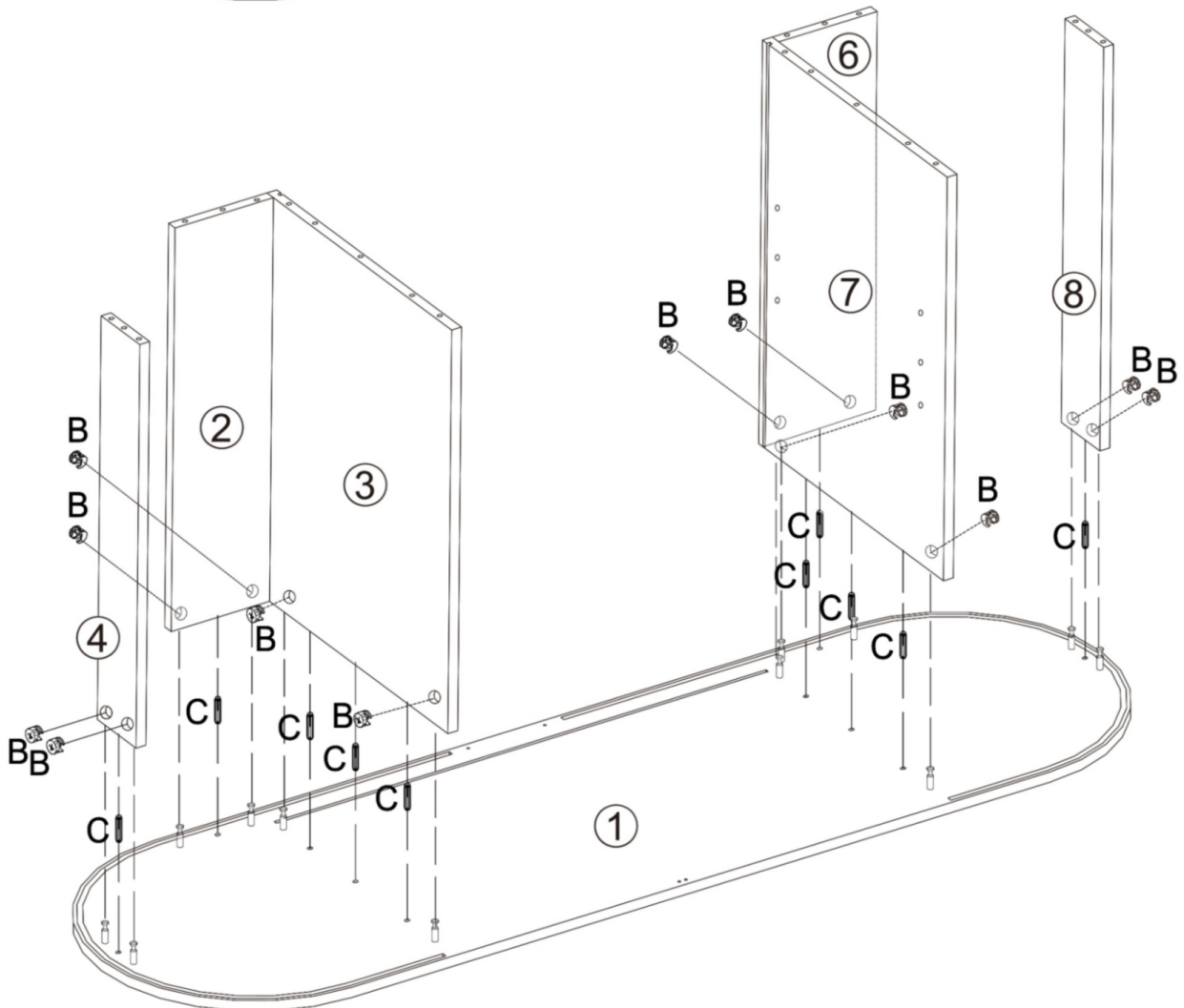
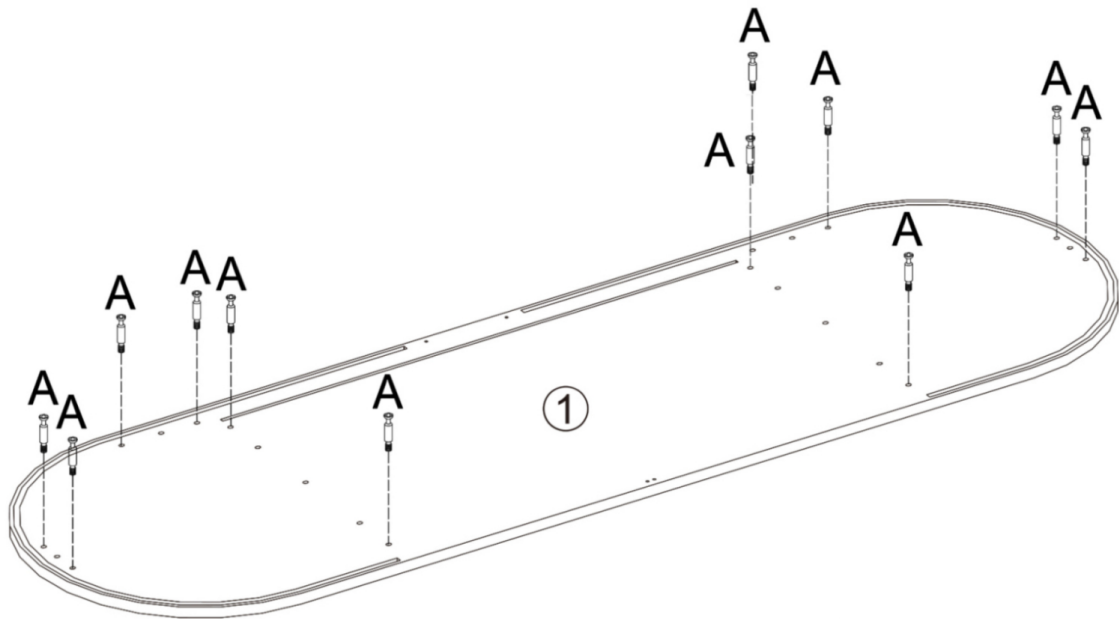


Step1

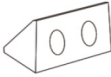



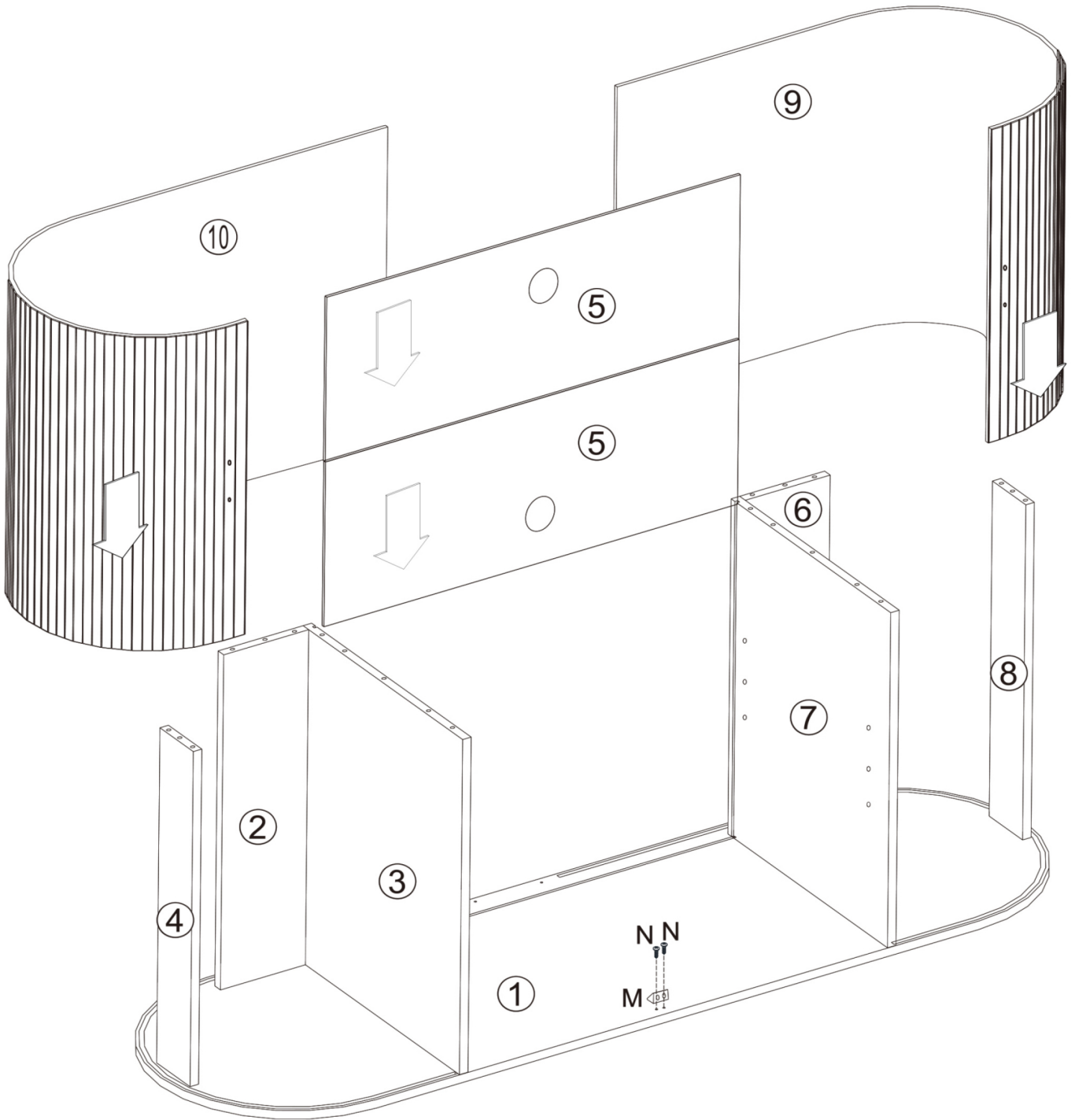
Step2

		
A	B	C
12PCS	12PCS	10PCS

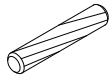



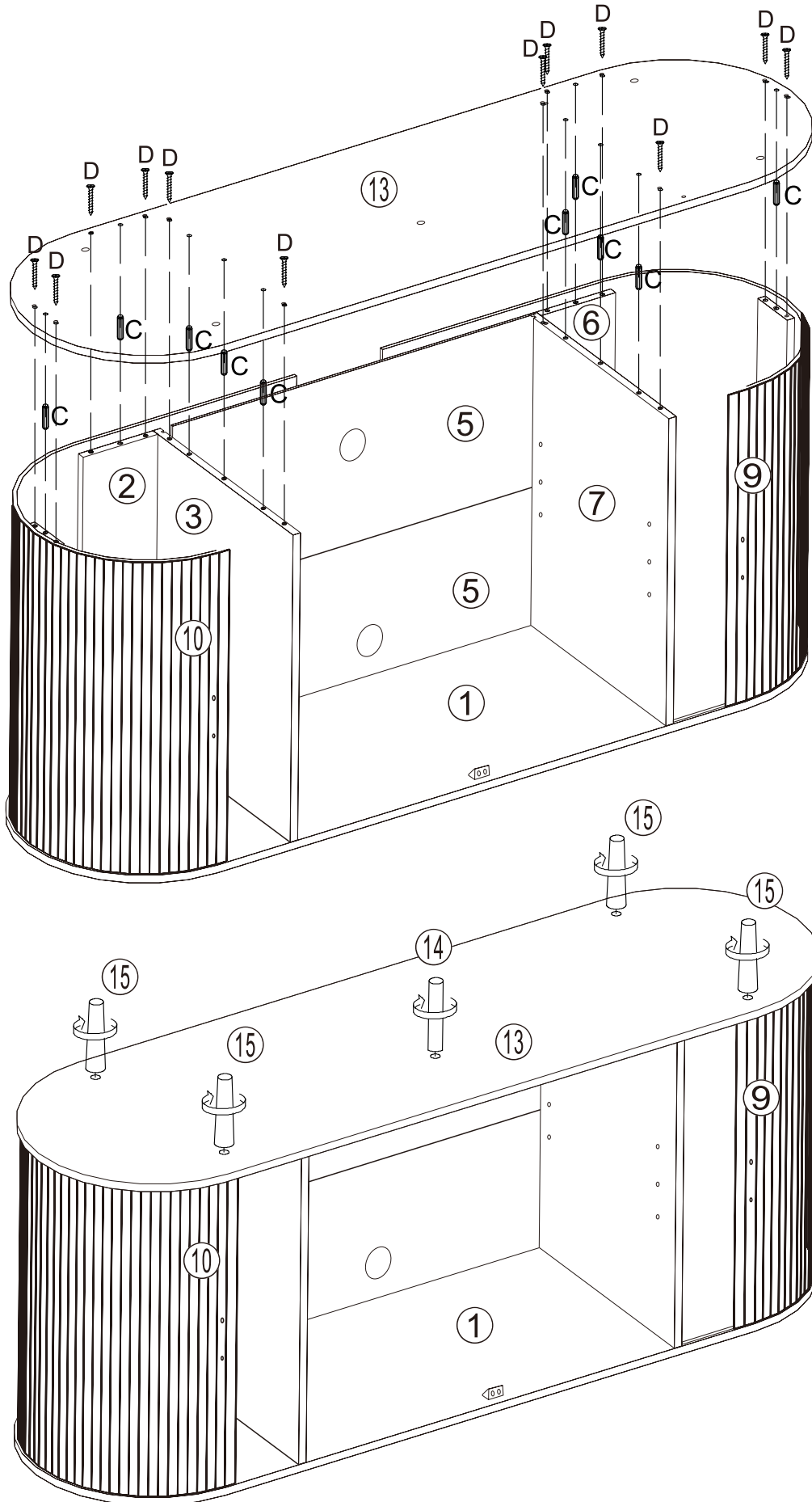
Step3

			
M	1PC	N	2 PCS

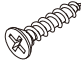
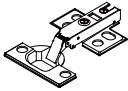


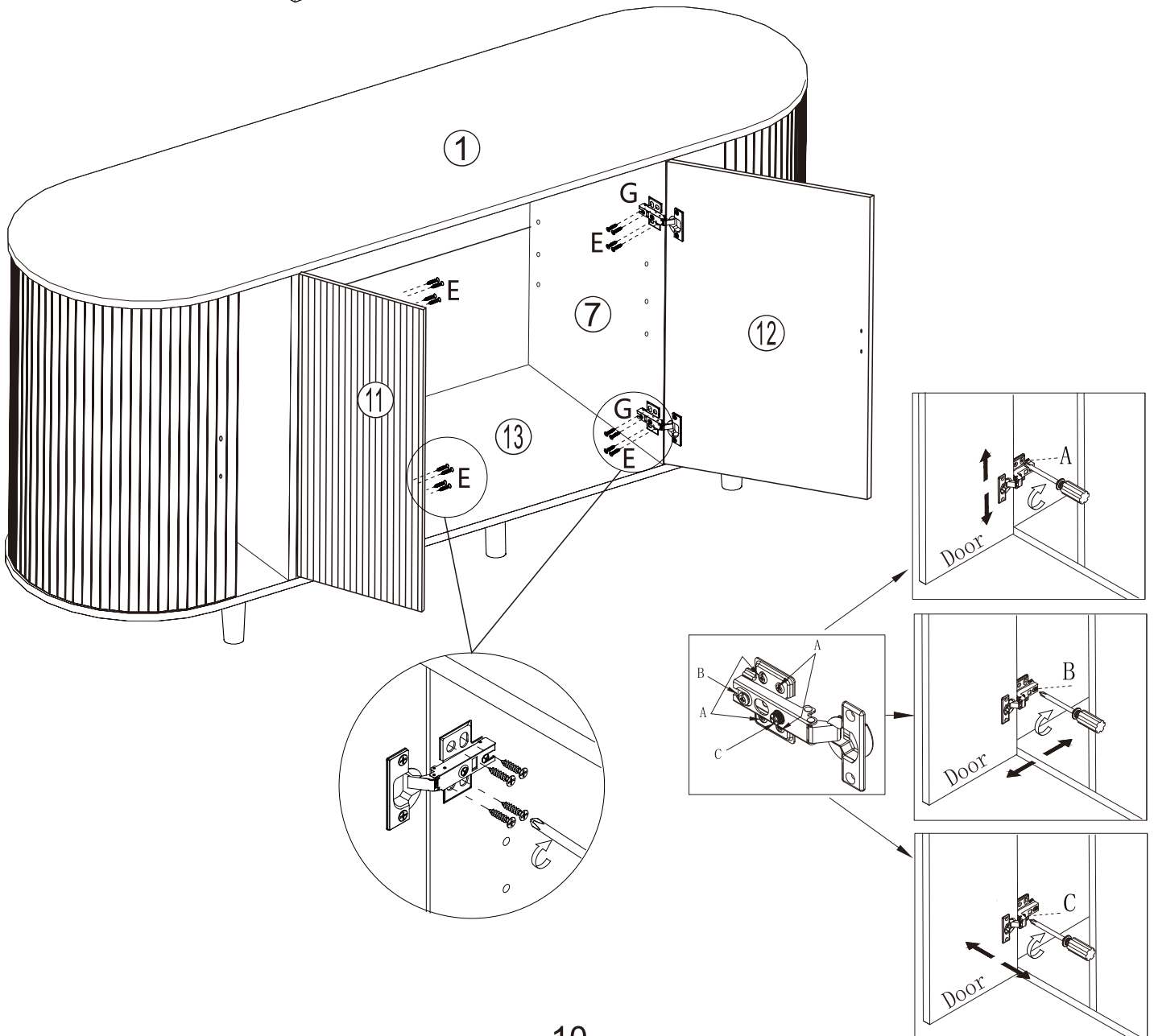
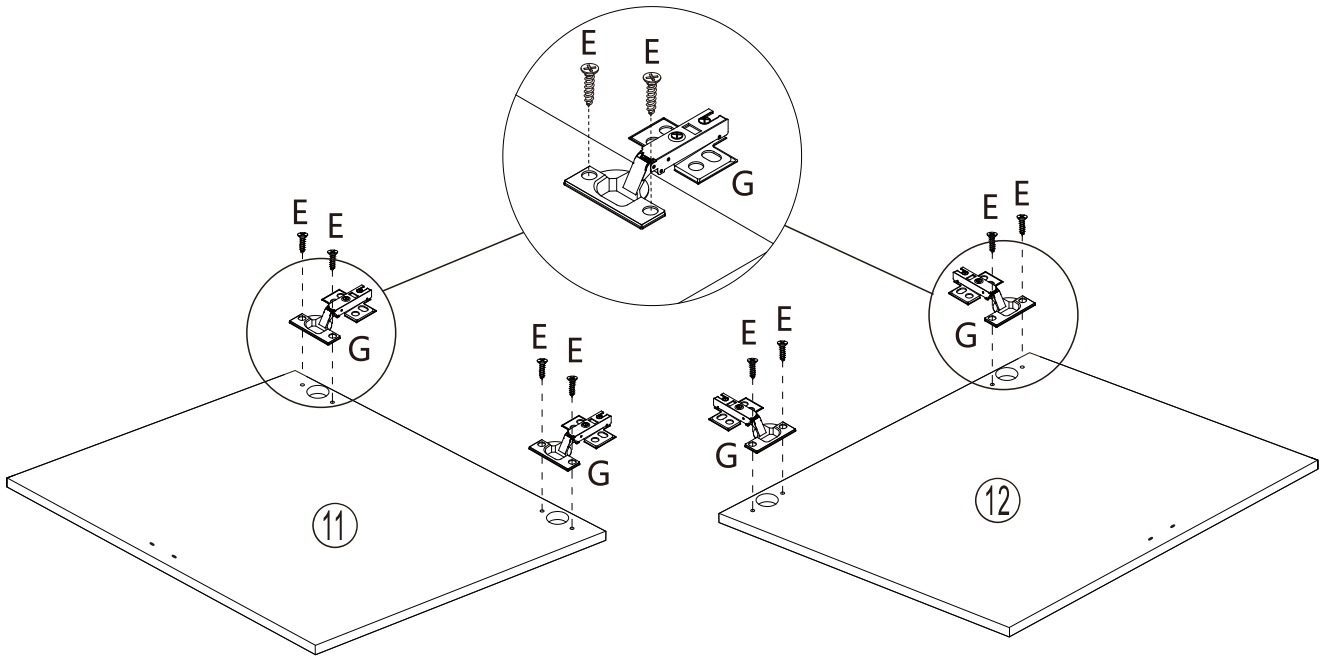
Step4

	
C	D
10PCS	12PCS







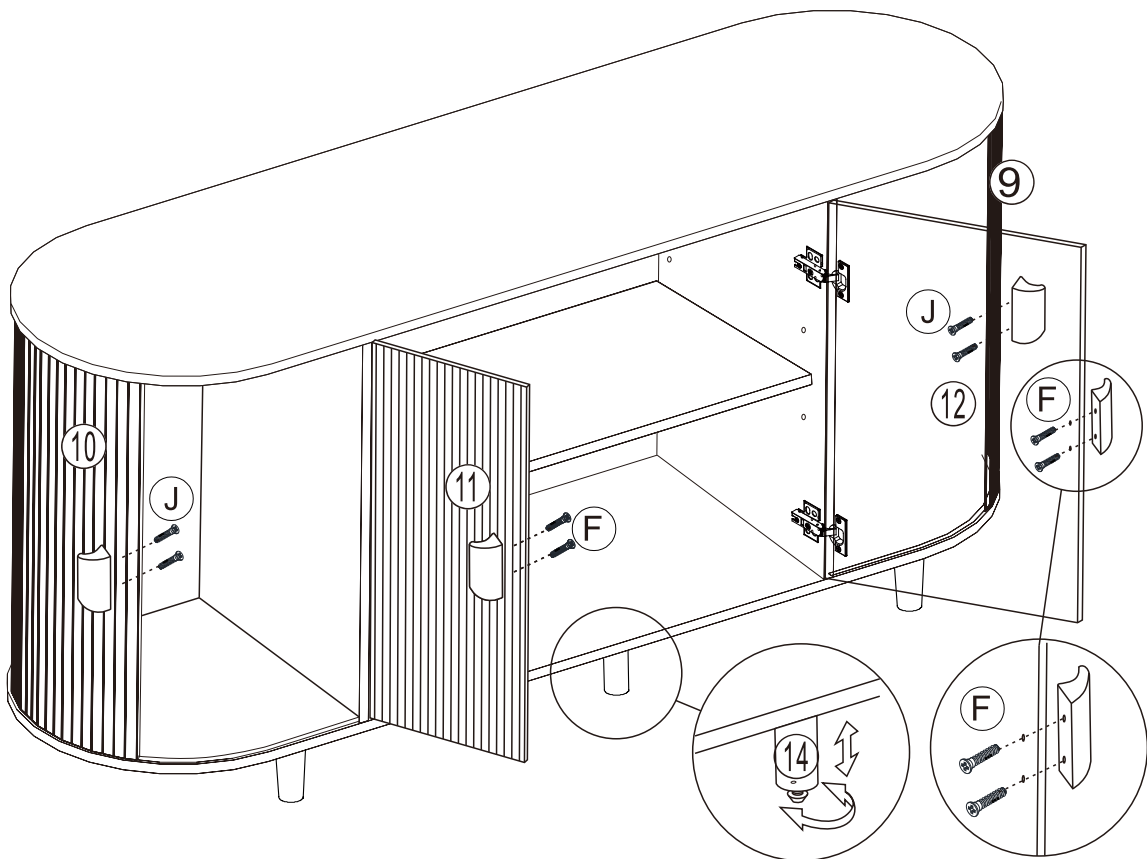
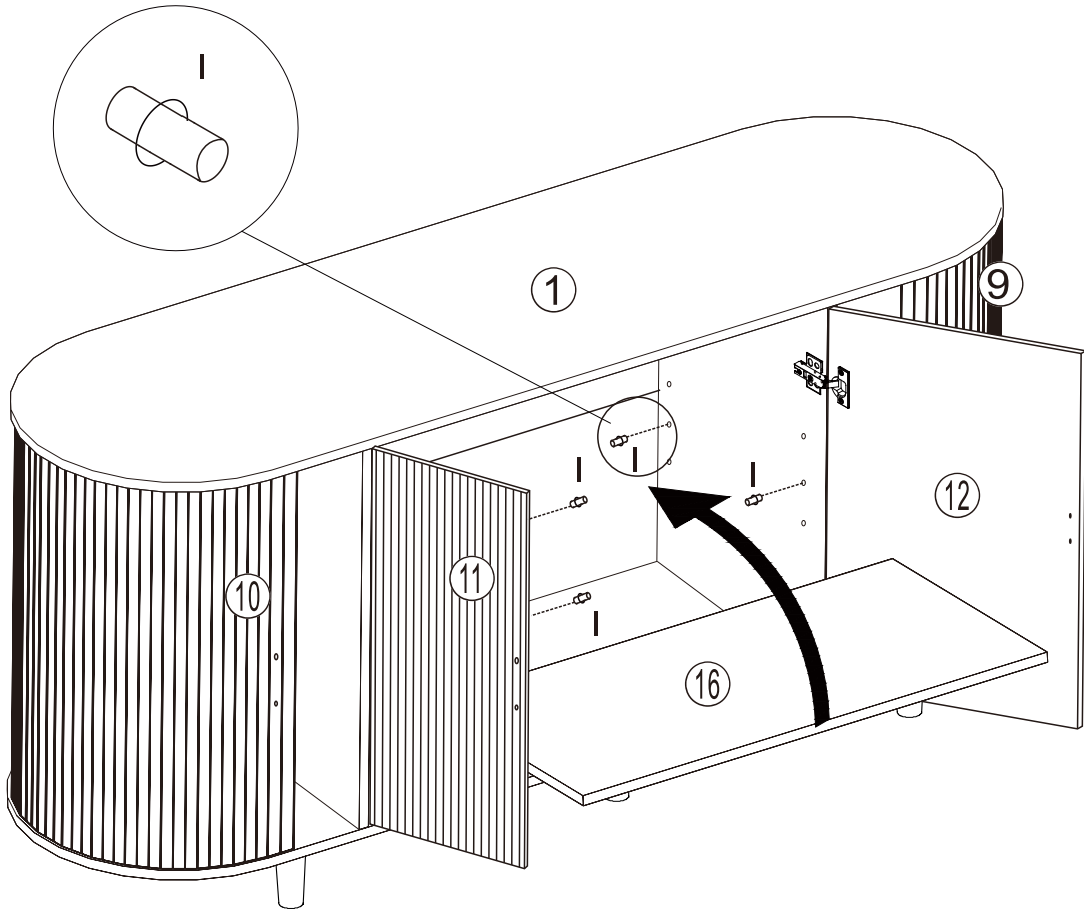
Step 5

	
E	24PCS
G	4PCS




Step6


			
J	F	H	I
4PCS	4PCS	4PCS	4PCS




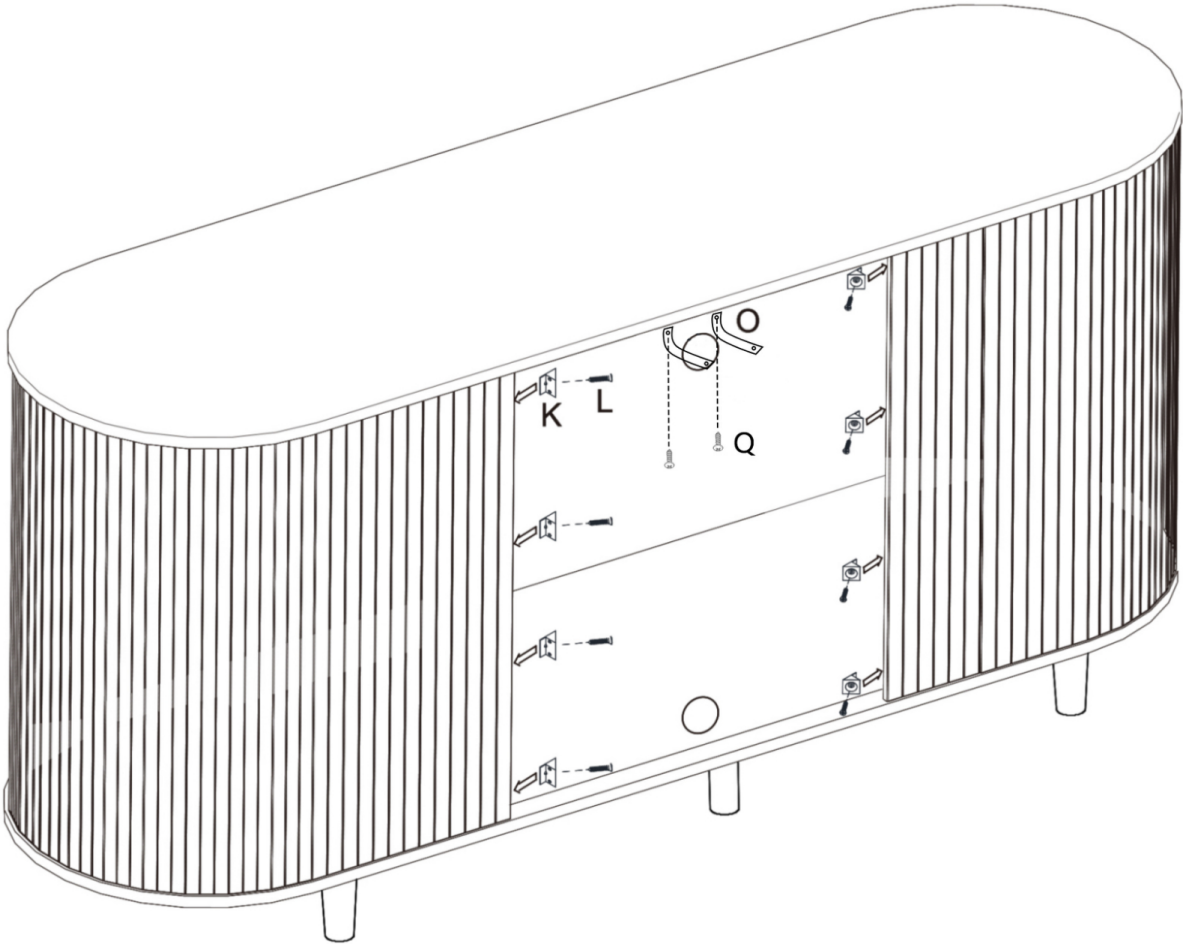
Step 7

	
K	8PCS

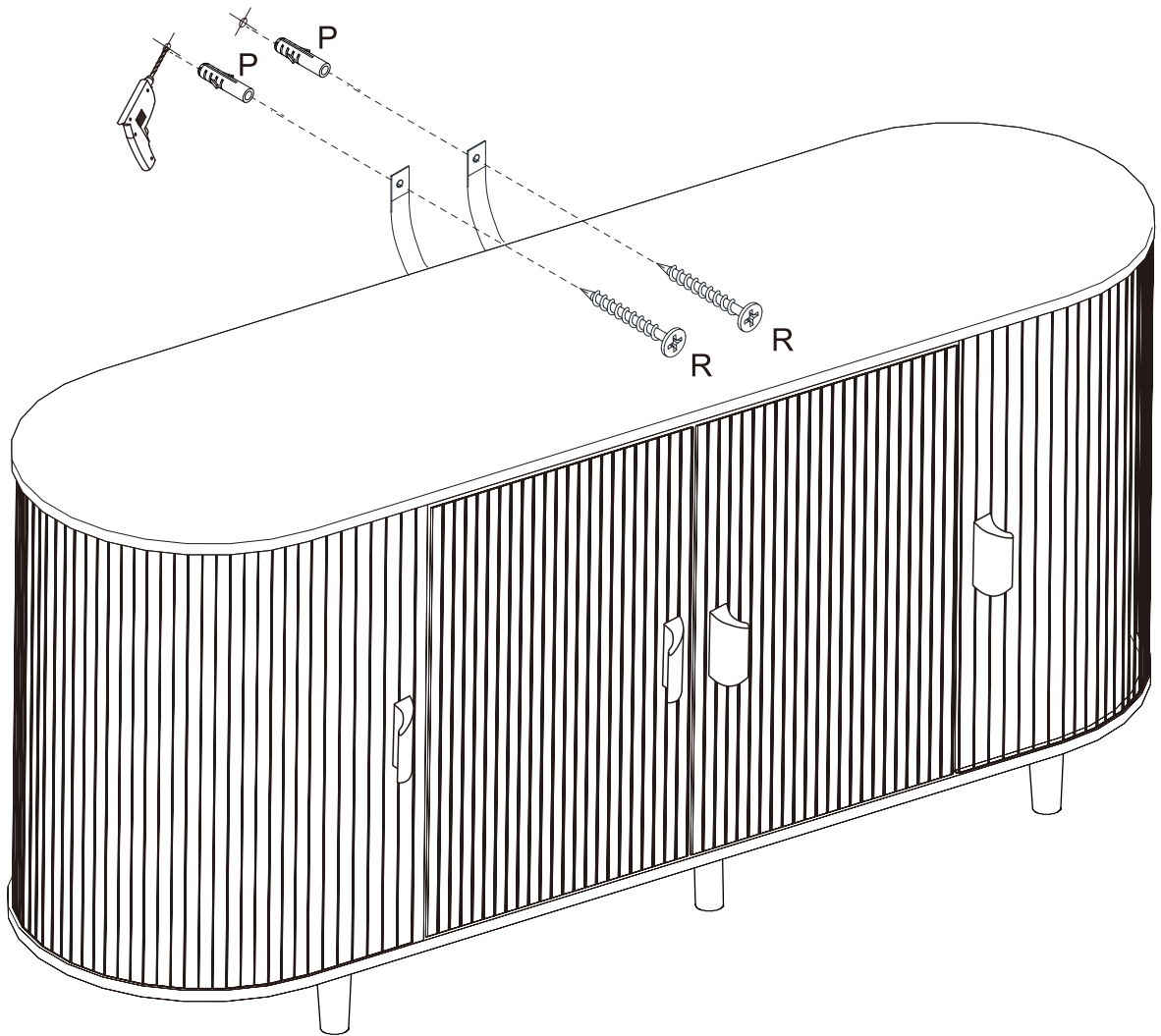
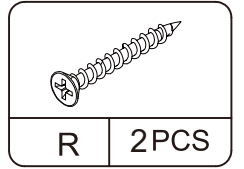
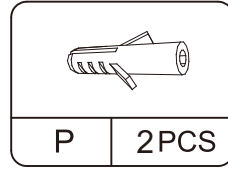
	
L	8PCS

	
O	2PCS

	
Q	2PCS



Step8



Proper Use

- DO NOT** use for commercial purposes
- DO NOT** use as a step stool or stand on table
- DO NOT** put hot serving liquid directly on the table top
- DO NOT** leave spilled liquid on the table top
- DO NOT** use table if damaged
- DO NOT** exceed weight limit
- DO NOT** make temporary repairs
- DO NOT** use outdoor

Dear Customer:

Thank you for purchasing our product,we wish you satisfy our service,if you have any further questions or any quality issues,please show the belows number and don't hesitate to contact our Customer Service People:

W2232202312