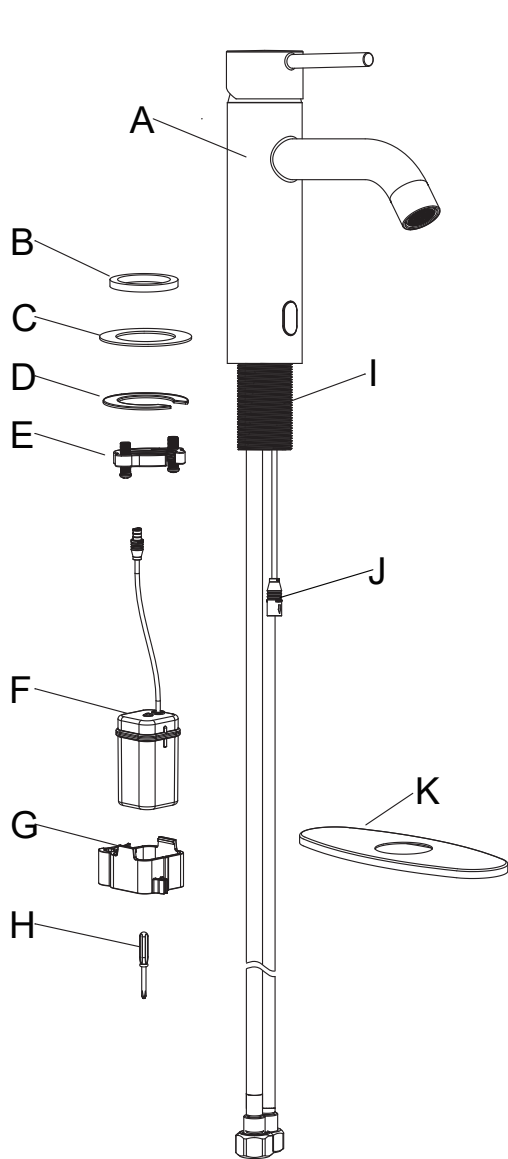




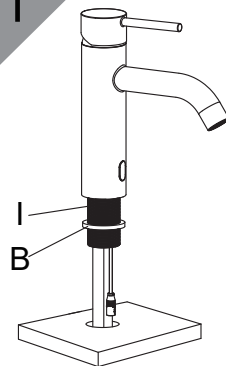
Touchless Lavatory Faucet

USER MANUAL



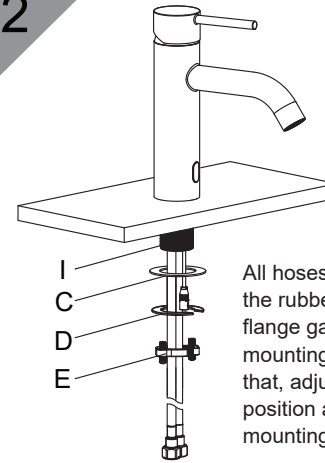
NO.	Description	QTY
A	Faucet	1
B	Sealing gasket	1
C	Rubber washer	1
D	Flange gasket	1
E	Mounting nut	1
F	Battery box	1
G	Battery bracket	1
H	Screwdriver	1
I	Shank	1
J	Sensor cable connector	1
K	Deck plate (option)	1

1



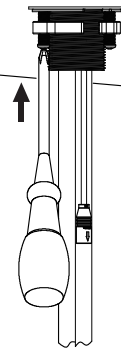
Assembling the O-ring (B) over the shank, and place it into the counter. (If you buy the version with deck plate, then please assemble the O-ring and deck plate over the shank firstly and place faucet into the counter).

2



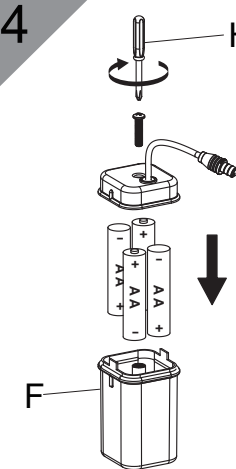
All hoses insert through the rubber washer (C), flange gasket (D), and mounting nut (E). After that, adjusting the faucet position and fix it with mounting nut (E).

3



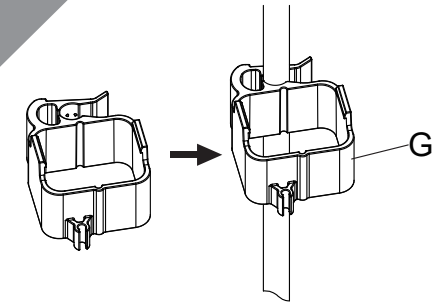
Tighten the two screws on mounting nut (E) with a screwdriver.

4



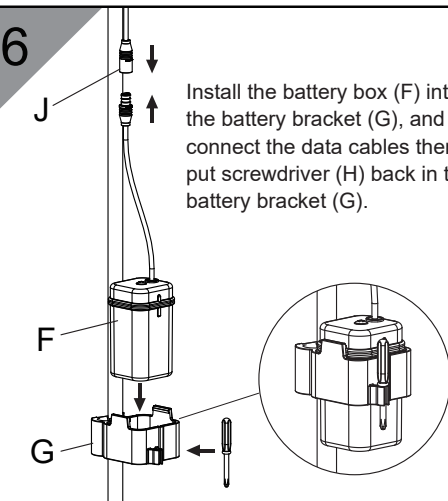
To use the small Screwdriver (H) that applied to open the battery box (F), insert 4pcs of alkaline batteries, make sure that the positive and negative poles must be installed properly, and then lock the battery box.

5



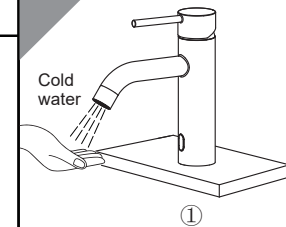
Lock the battery bracket (G) onto hose as shown.

6

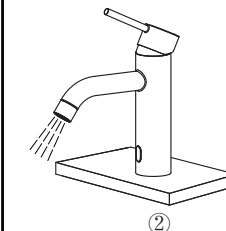


Install the battery box (F) into the battery bracket (G), and connect the data cables then put screwdriver (H) back in the battery bracket (G).

7



① Open the angle valve after completing the installation, and move your hand in front of the sensor within the distance of 5.5 inch, the faucet will water on automatically and remove your hand from the sensor, it turns off automatically. **(Only cold water available under the sensor mode)**



② The sensor will be deactivated after opening the faucet handle, then control the water flow and temperature by operating handle.

Touchless Lavatory Faucet

Notice

1. Cleaning

Before installation, shut off the water supply valves and clean up the water supply system.

2. Mounting hole

Make sure the mounting hole size is between $\varnothing 25\text{mm}$ - $\varnothing 35\text{mm}$.

3. Before installation

- ① Clean up the countertop.
- ② Make sure there is ample space on the countertop to install the faucet.
- ③ When installing, wrap the faucet with soft cloth to avoid scratches. This product cannot be wrenched by plier to prevent any defections.

Parameter

1. Supply cold water, hot water pressure:

the recommended pressure is $0.05\text{MPa} \sim 0.75\text{MPa}$.

2. Do not use steam for hot water.

The recommended temperature of water supply is less than 85°C .

3. the use of ambient temperature 0°C or more, if less than 0°C , the water spigot will appear deformation freeze crack phenomenon.

Maintenance

1. Operate the faucet gently in order for a sustainable using.

2. Always blot dry any water from faucet surface. Clean with a damp non-abrasive sponge and wipe it with a clean soft cloth should be helpful to maintain good finish of the faucet. To remove water spots, please apply warm water and a damp soft cloth. Make certain to rinse thoroughly with water immediately after cleaner.

3. Although the finish is extremely durable, it can be damaged by some cleaners. Do not use detergent powder, polishing powder, granular detergent or nylon brush to clean.

4. Do not use acidic detergents. If happened, it must be rinsed properly and wiped dry with a soft cloth.

5. When the air temperature is below 0°C , a measure should be taken to keep the faucet working condition warm.

6. Shut off the water supply valves when the faucet will not be used for an extended amount of time.

7. Do not allow the product to get in touch with the rust or strong corrosive substances, or install under a corrosive environment.

8. Exposing this product to corrosive substances or sharp objects may cause the hoses to rust or become damaged. Install in a proper area to avoid the risk of leaks.



- We reserve the right to make revisions in the design of faucets without notice.
- Image is for reference only, styles varies by models, same installation method.