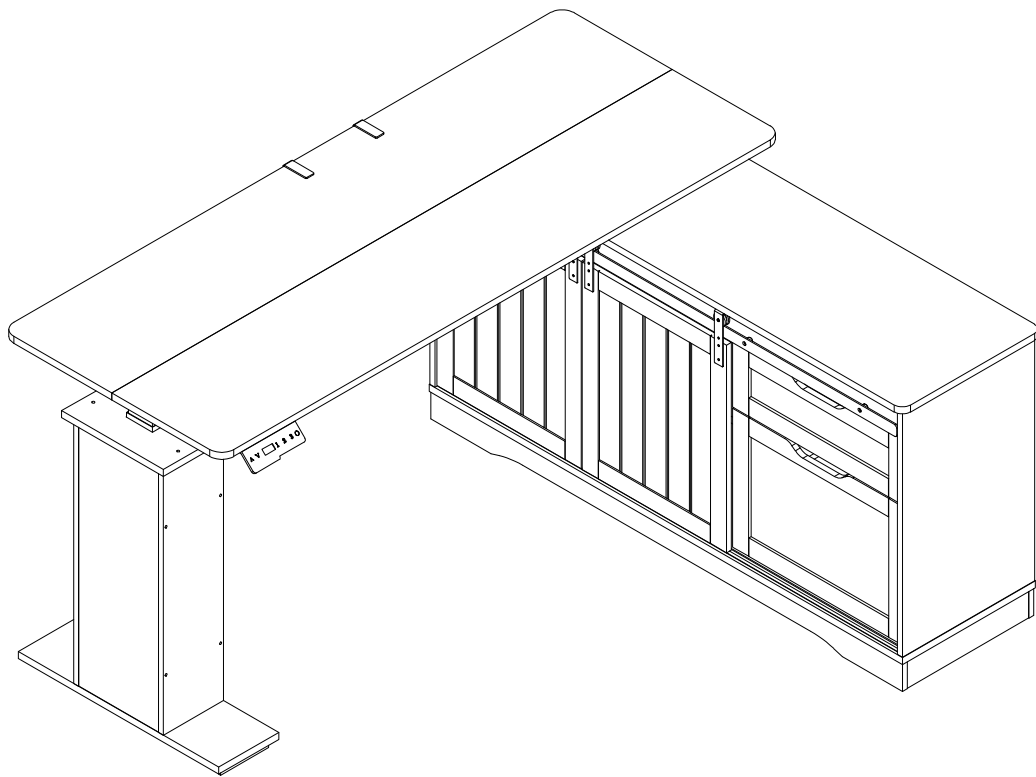


ASSEMBLING INSTRUCTION



Warm Tips:

If you experience any issues with damaged or missing parts, or notice a quality defect, we kindly ask you to share the part number along with photos of the issue. Once we have reviewed and confirmed the details, we will provide appropriate solutions, including arranging a replacement. We sincerely appreciate your understanding and patience! This instruction booklet contains important safety information. please read and keep for future reference.

TIPS BEFORE YOU START

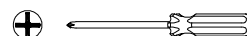
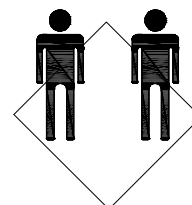
1. Before assembling your furniture, please check that all parts are present and laid out.
2. Before initiating each assembly step, please confirm required parts are identified.
3. Please ensure adequate space and assistance for safe assembly of large items.
4. We recommend assembling the product near its intended placement area to avoid relocation after assembly.
5. We recommend to place components on soft surfaces (e.g., carpet, blanket) during assembly to prevent damage of the item.
6. Please do not overtighten any fittings, as this may damage the product. We recommend hand-tightening rather than using power tools.
7. Please position fully assembled product on flat, stable surfaces with even support.
8. Please do not stand on or use this product as a step ladder.
9. Product is designed exclusively for indoor household use in non-industrial environments.
10. Please lift with proper body mechanics to prevent injury and product damage.

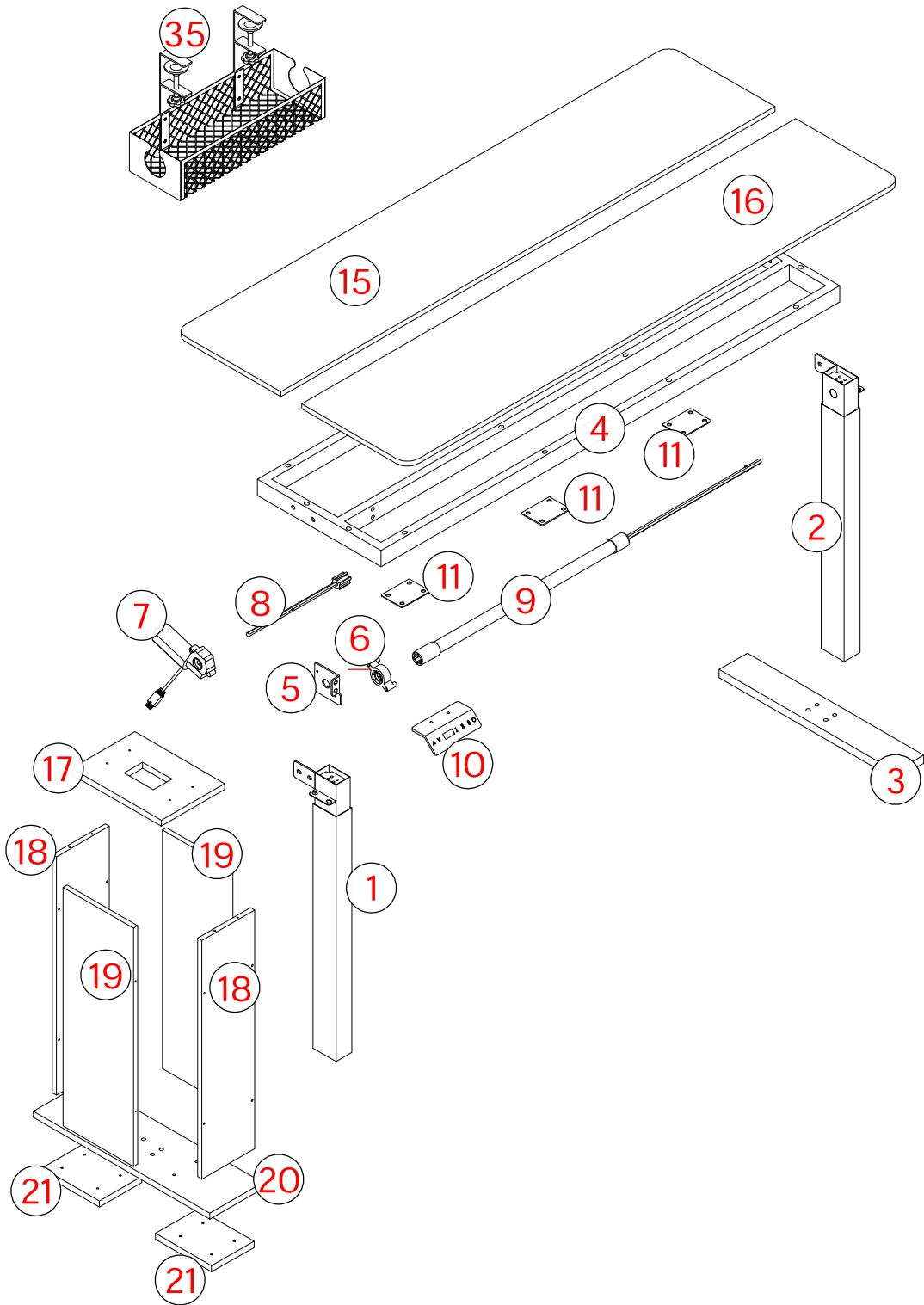
CARE AND MAINTENANCE OF YOUR FURNITURE

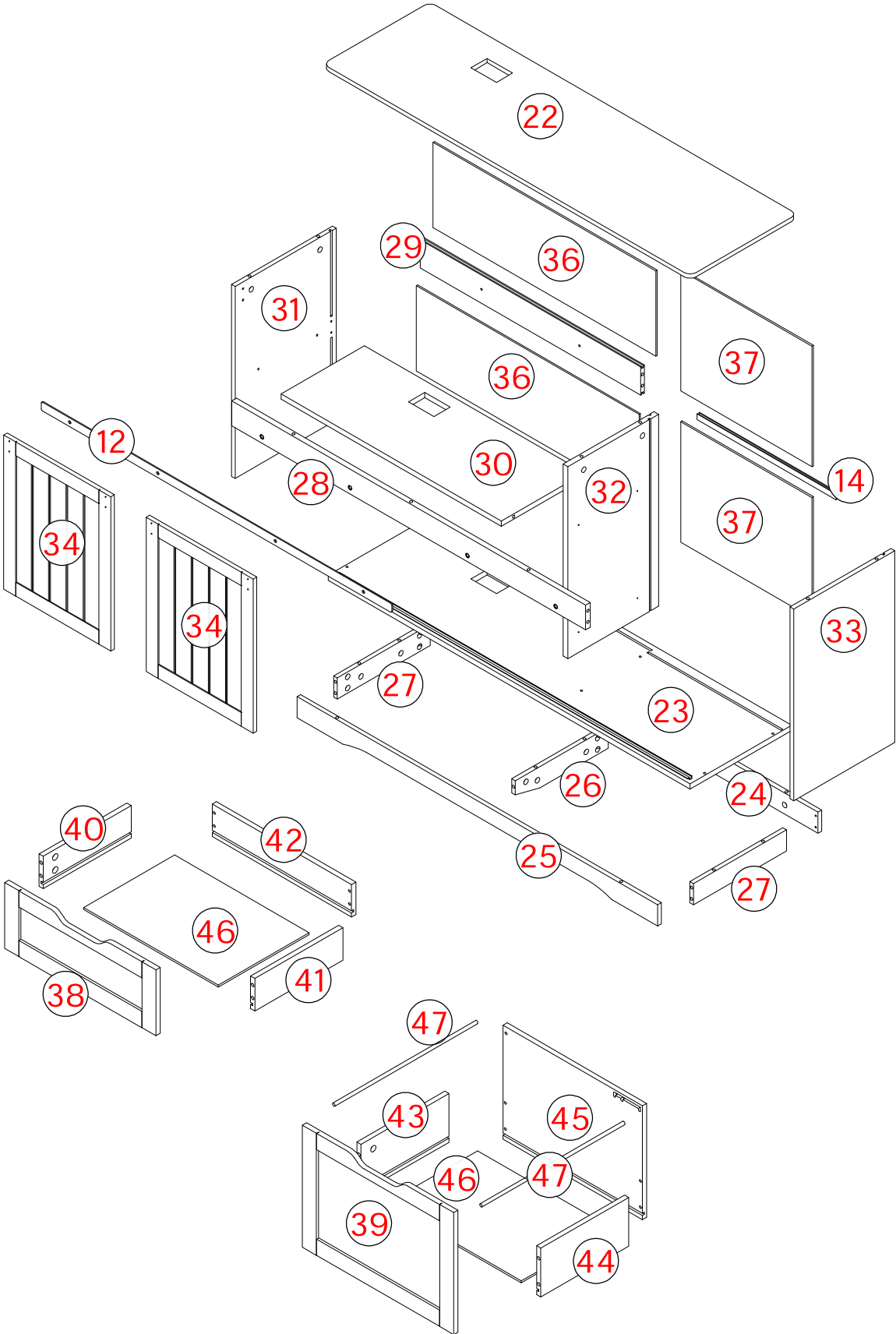
- Periodically inspect and retighten all fittings as needed to maintain structural integrity.
- Periodically inspect all screws and retighten if necessary to maintain product stability.
- For optimal glass cleaning, apply a dedicated glass cleaner using a microfiber cloth to prevent streaks.
- Avoid liquid contact to prevent structural warping and surface delamination; immediately wipe any spills.
- Avoid placing hot objects (e.g., hot beverages) directly onto surfaces to prevent thermal shock and permanent discoloration.
- Lift the unit with multiple personnel using proper technique; dragging or pushing risks structural failure and injury.

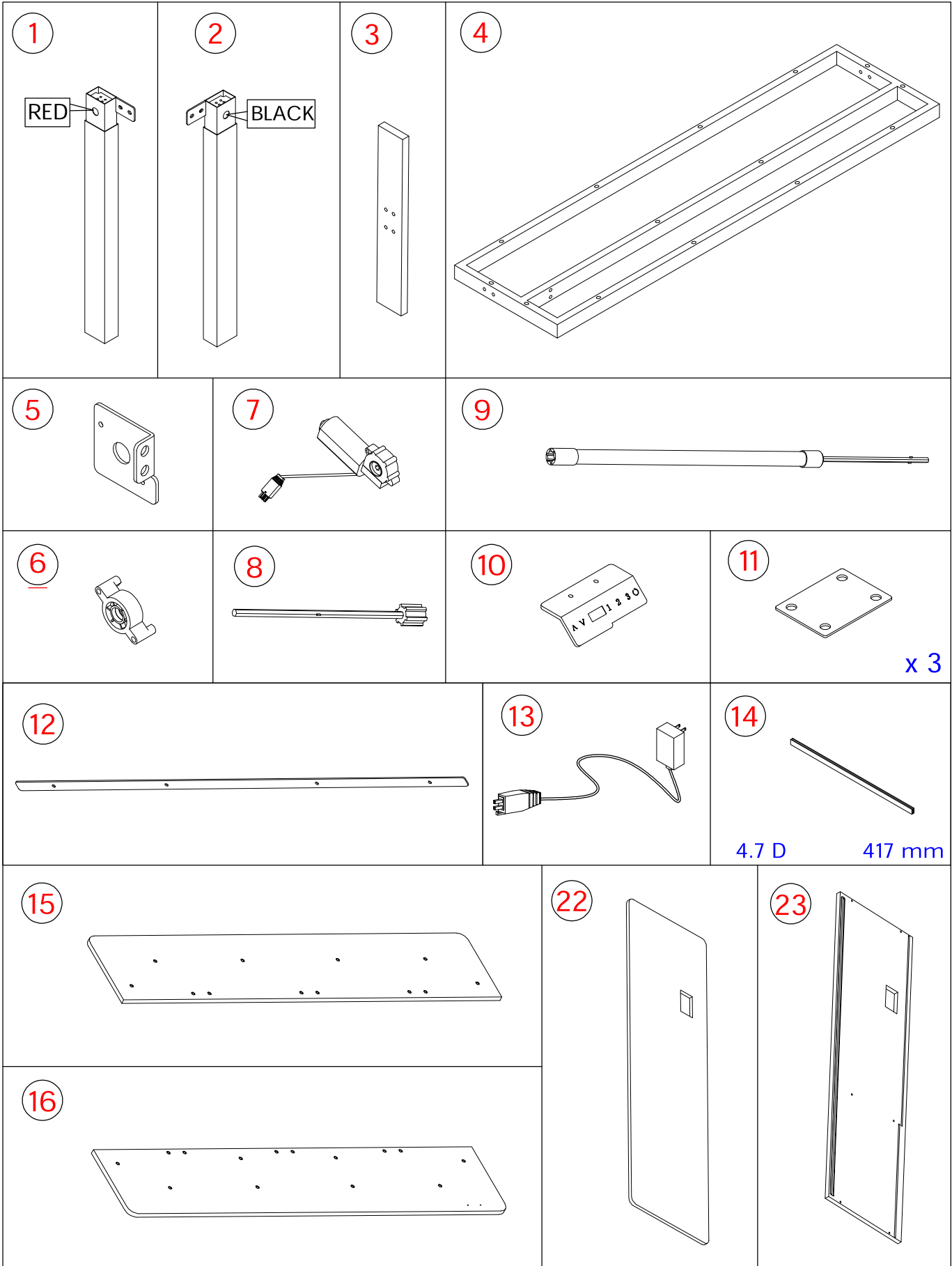
ASSEMBLY REQUIREMENTS

- Equipment: phillips head screwdriver.
- 2 x adults required.
- 2m x 2m assembly space required.
- 1.5 hour assembly time approx.







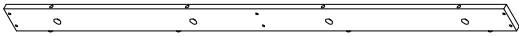




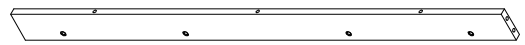
Package A

P.6

24



28



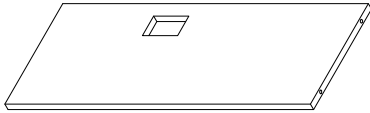
25



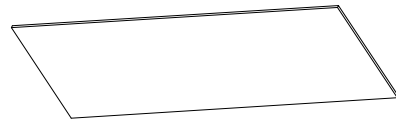
29



30

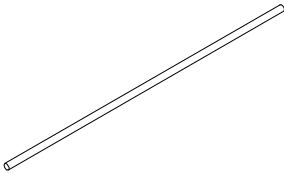


36



x 2

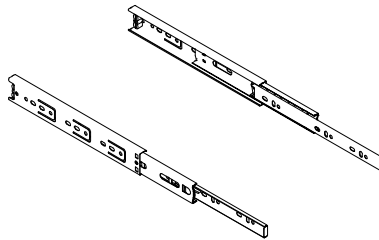
47



265 mm

x 2

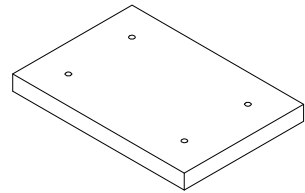
48



3508-10"

x 2

21



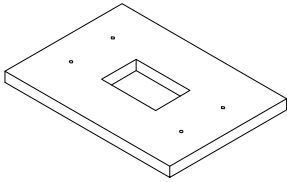
x 2



Package B

P.7

17

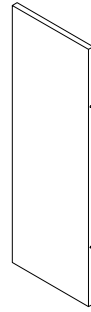


18



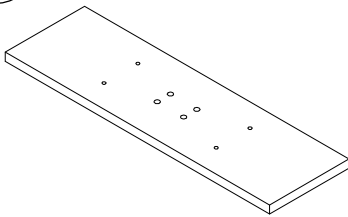
x 2

19

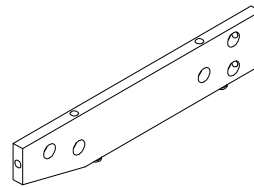


x 2

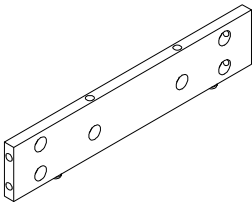
20



26



27

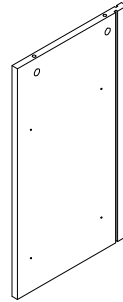


x 2

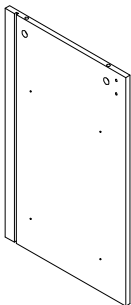
31



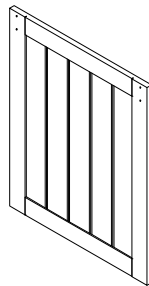
32



33

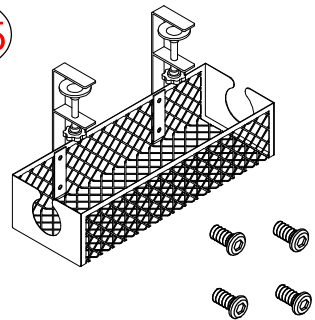


34

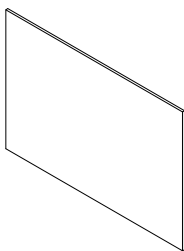


x 2

35

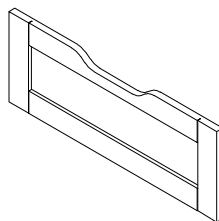


37

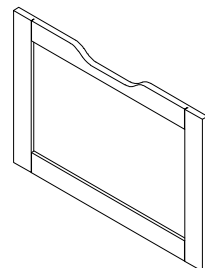


x 2

38

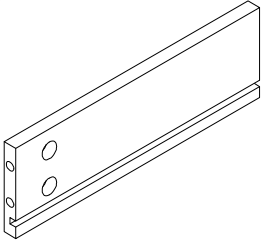


39

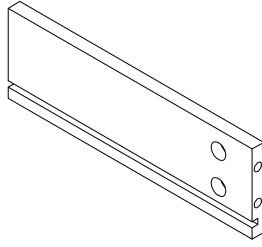




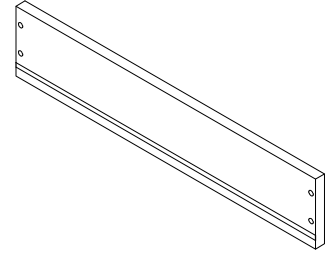
40



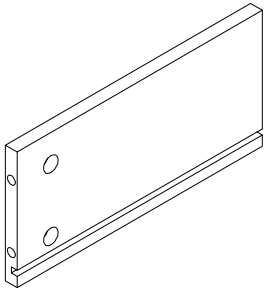
41



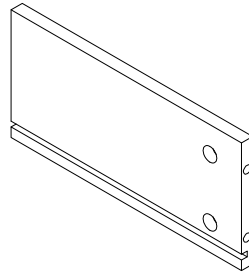
42



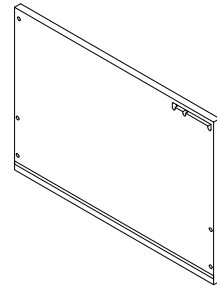
43



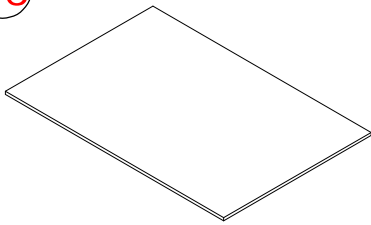
44








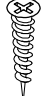











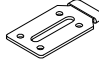
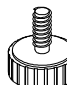

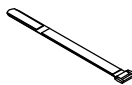
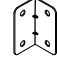
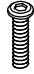

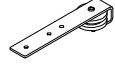




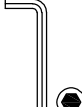

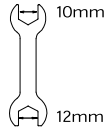


45



46

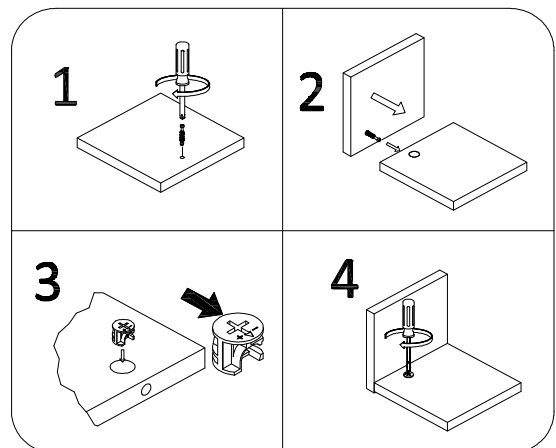
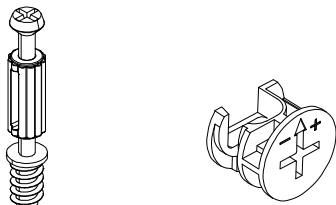


x 2

A M5x42  52 PCS	B Ø15x10  52 PCS	C M5x40  32 PCS	D M3.5x12  44 PCS	E M3.5x14  18 PCS	F M3.5x25  8 PCS	G  18 PCS	H M4x16  4 PCS
I M4x45  2 PCS	J M6x10  16 PCS	K M6x30  6 PCS	L M6x50  14 PCS	M 14*5*1  2 PCS	N 15*6*2  14 PCS	O M4  2 PCS	P M6xL12  6 PCS
Q M8x40  8 PCS	R 62x33x2  4 PCS	S M6X15  2 PCS	T Ø30x3  8 PCS	U  1 PCS	V 38x20x25  X 3	W M6x25  4 PCS	X Ø12xØ6x12  4 PCS
Y 115x20x17  4 PCS	BB M3.5x12  8 PCS	CC Ø22x1  20 PCS	DD M5x12  2 PCS	 1 PCS	5#  1 PCS	4#  1 PCS	10mm 12mm  1 PCS
3#  1 PCS	M4  1 PCS	<div data-bbox="755 1176 1421 1354" data-label="Text"> <p>All the screws are in "Package A"</p> </div>					

Cam Lock Fastening System

This Cam Lock Fastening System will be used throughout the assembly process



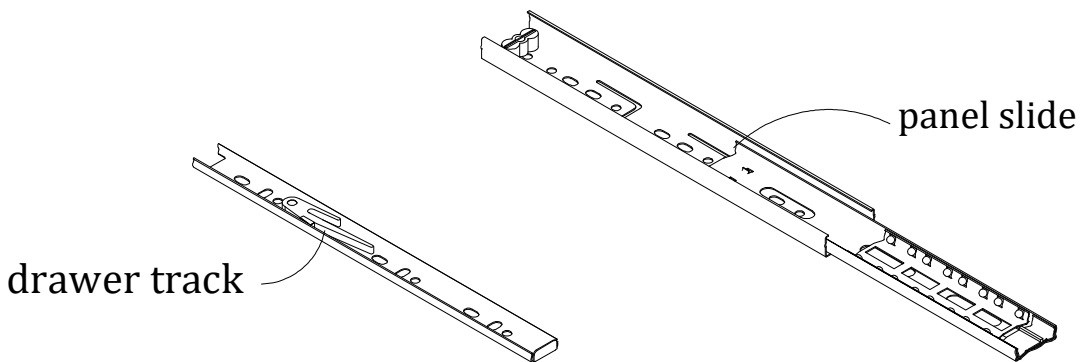
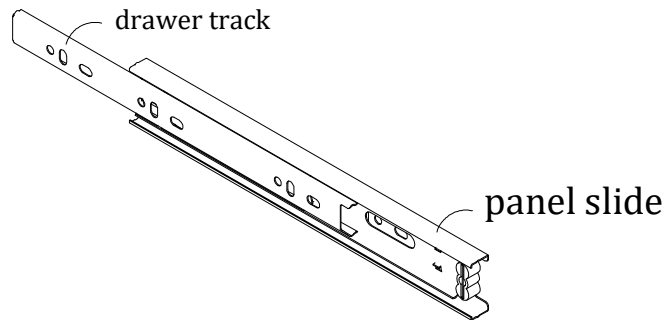
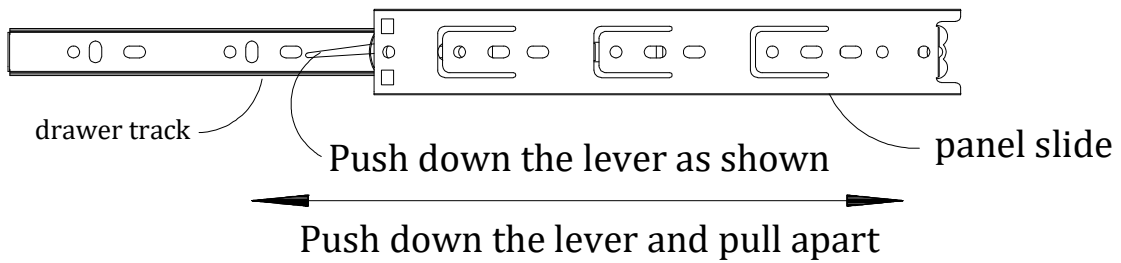


To separate slide rail.

1) Pull the slide fully open so levers are visible.

2) Push DOWN the lever as shown.

3) Holding levers in place, pull two sections until separation.

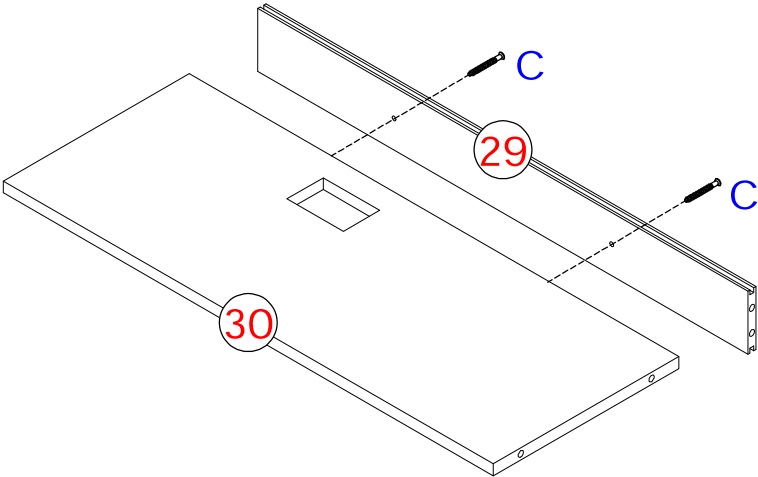


1

C M5x40



2 PCS

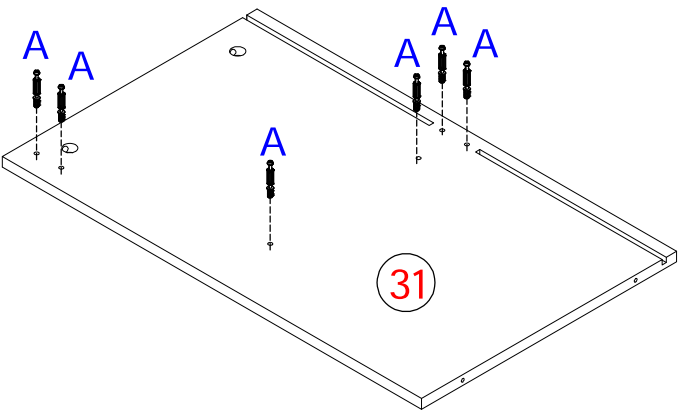


2

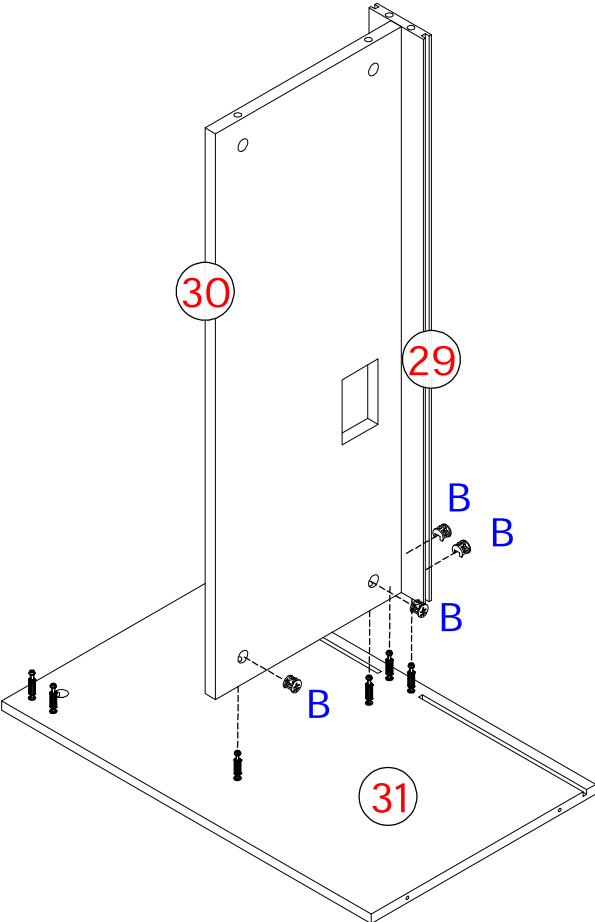
A M5x42



6 PCS



3

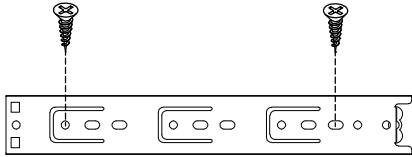
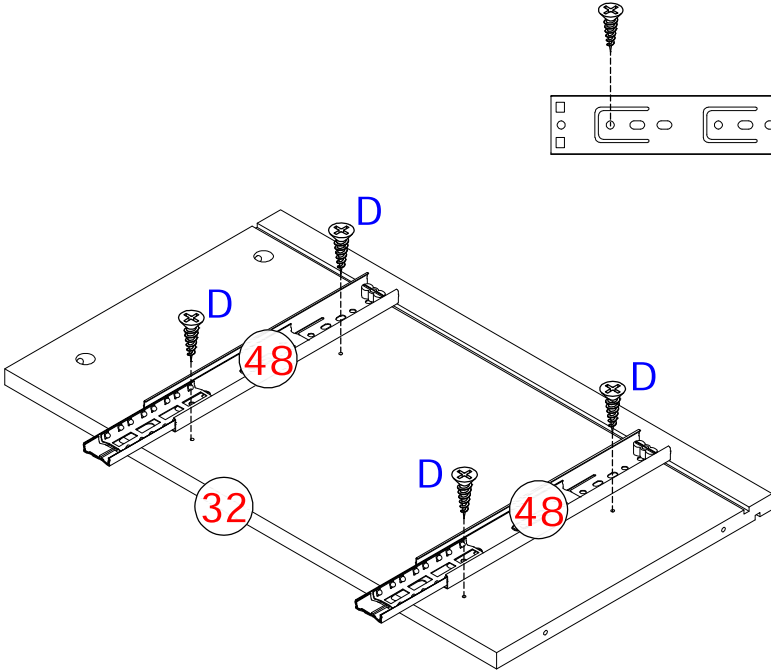


B Ø15x10



4 PCS

4

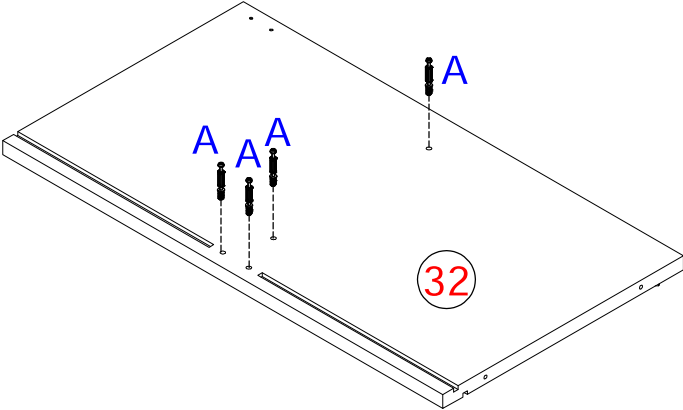


D M3.5x12



4 PCS

5

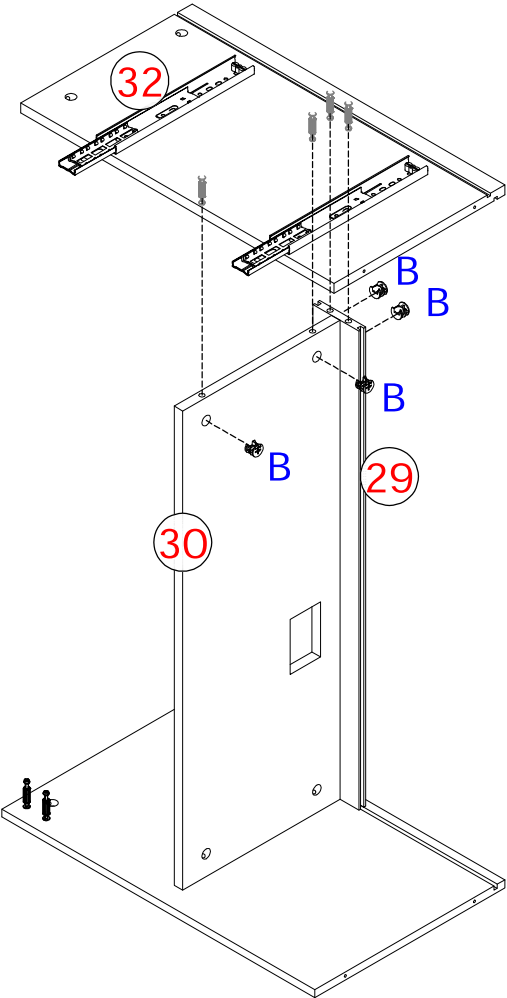


A M5x42



4 PCS

6

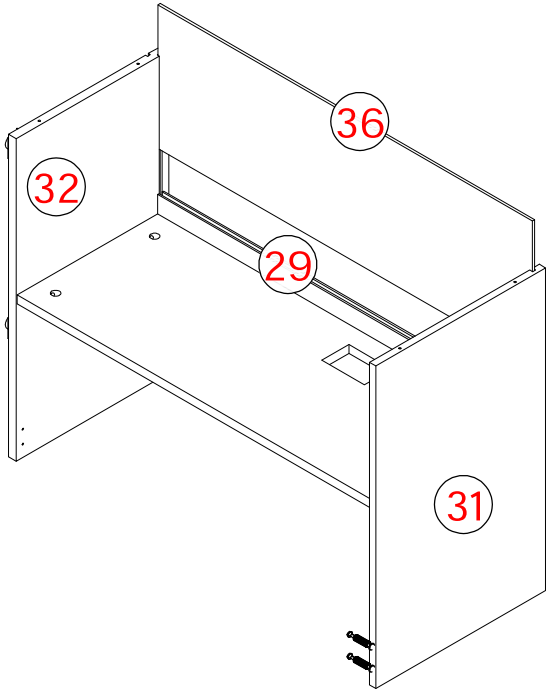


B Ø15x10

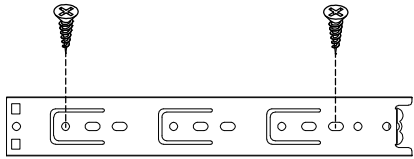


4 PCS

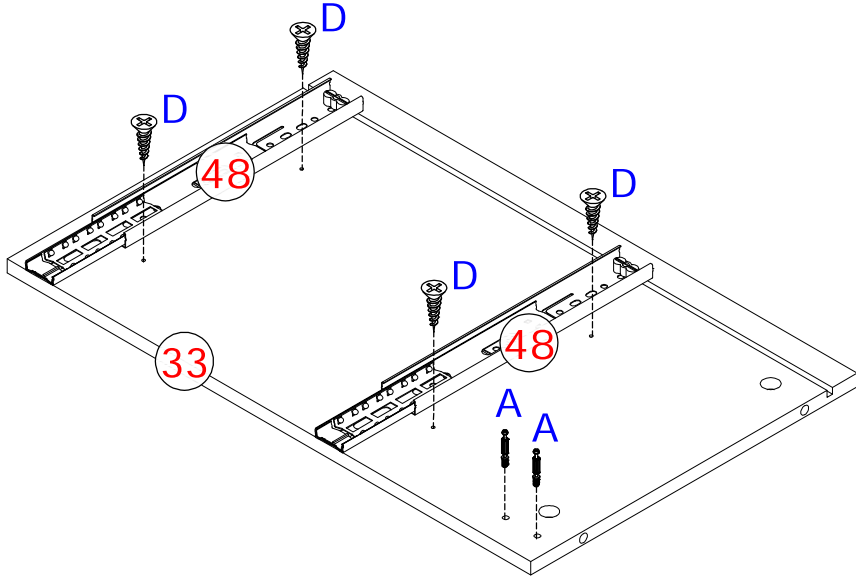
7



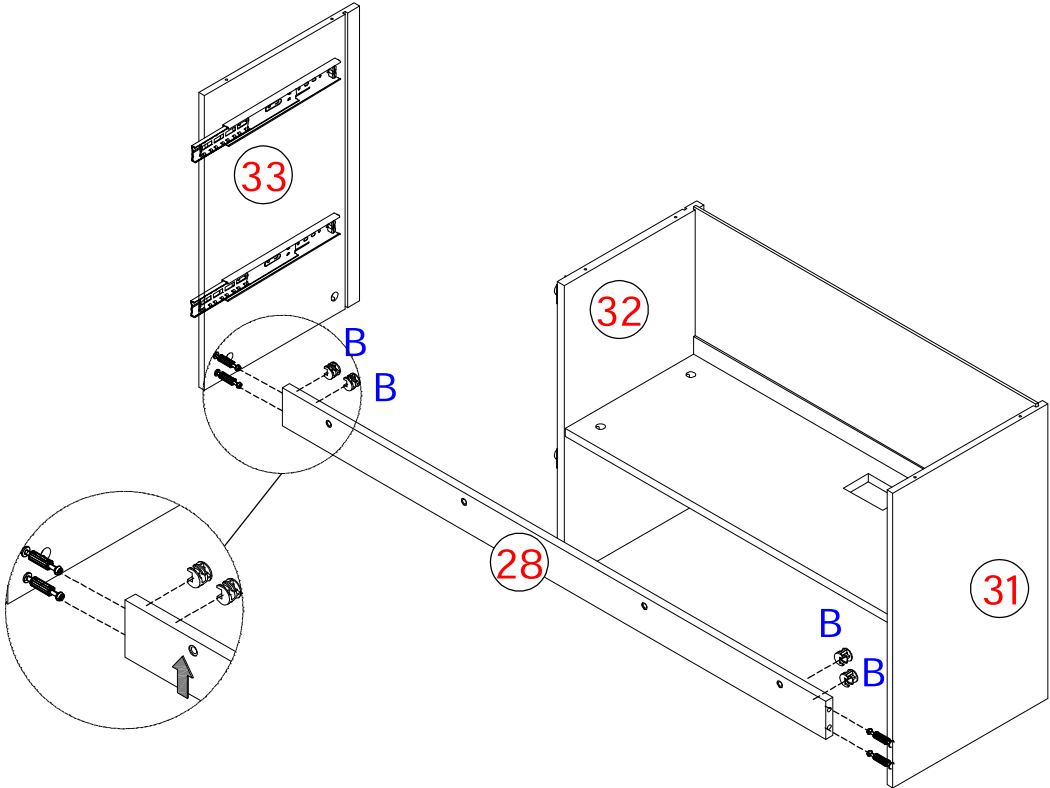
8



A M5x42	D M3.5x12
2 PCS	4 PCS



9

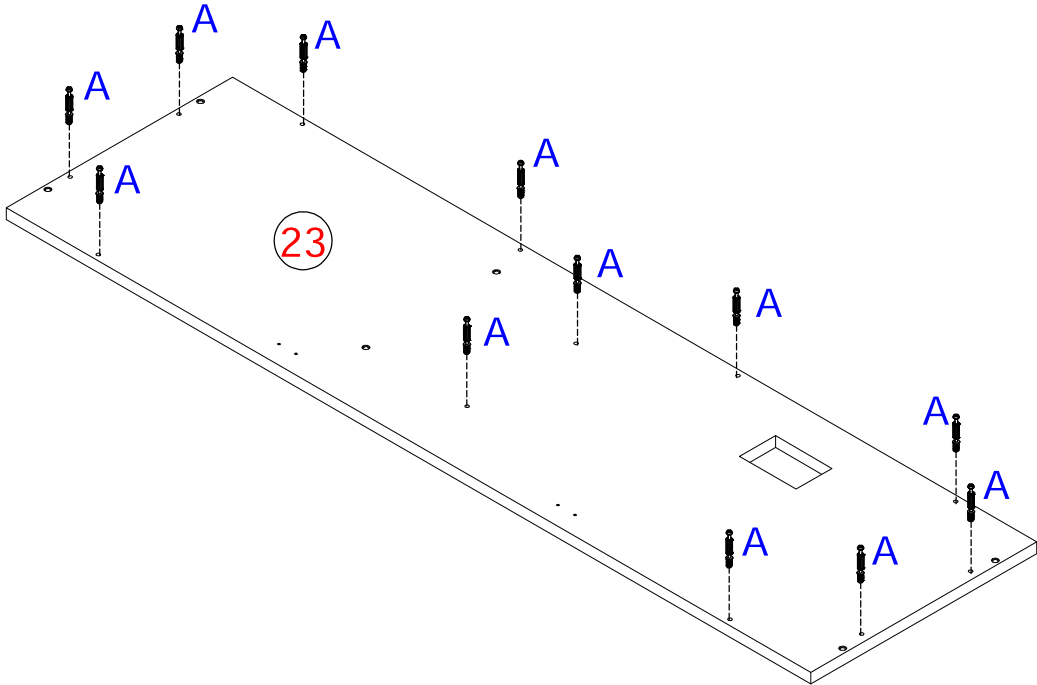


B Ø15x10



4 PCS

10



A M5x42



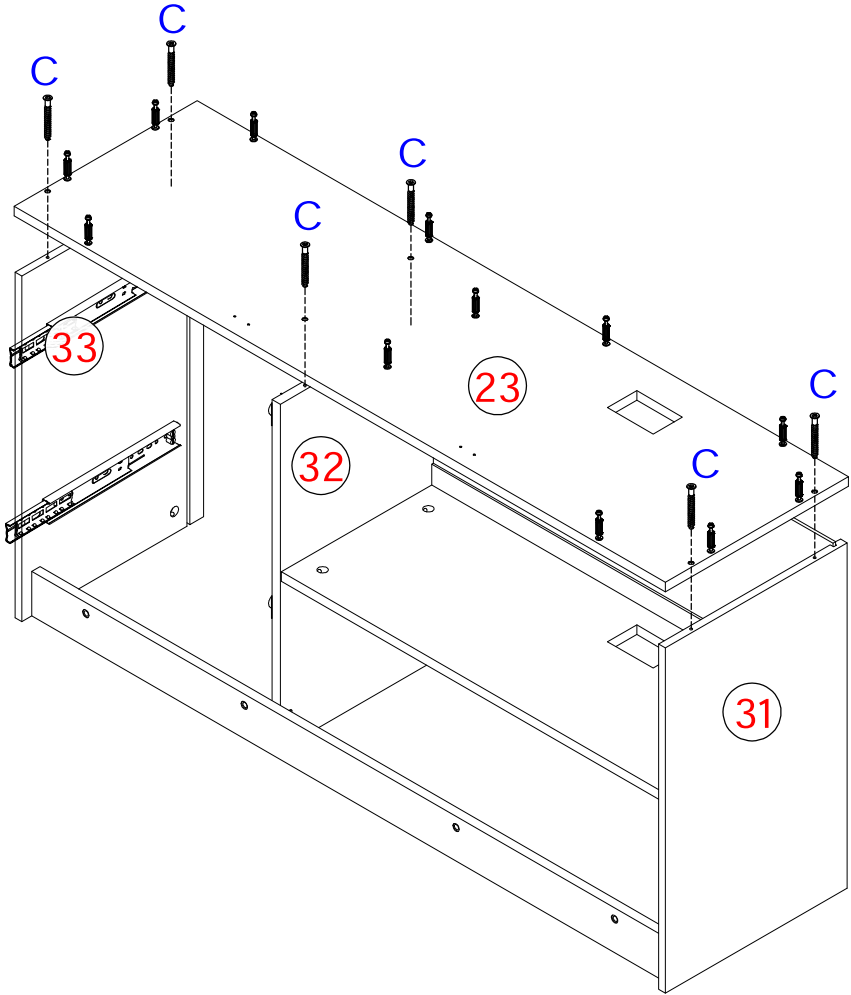
12 PCS

11

C M5x40



6 PCS



12

A M5x42

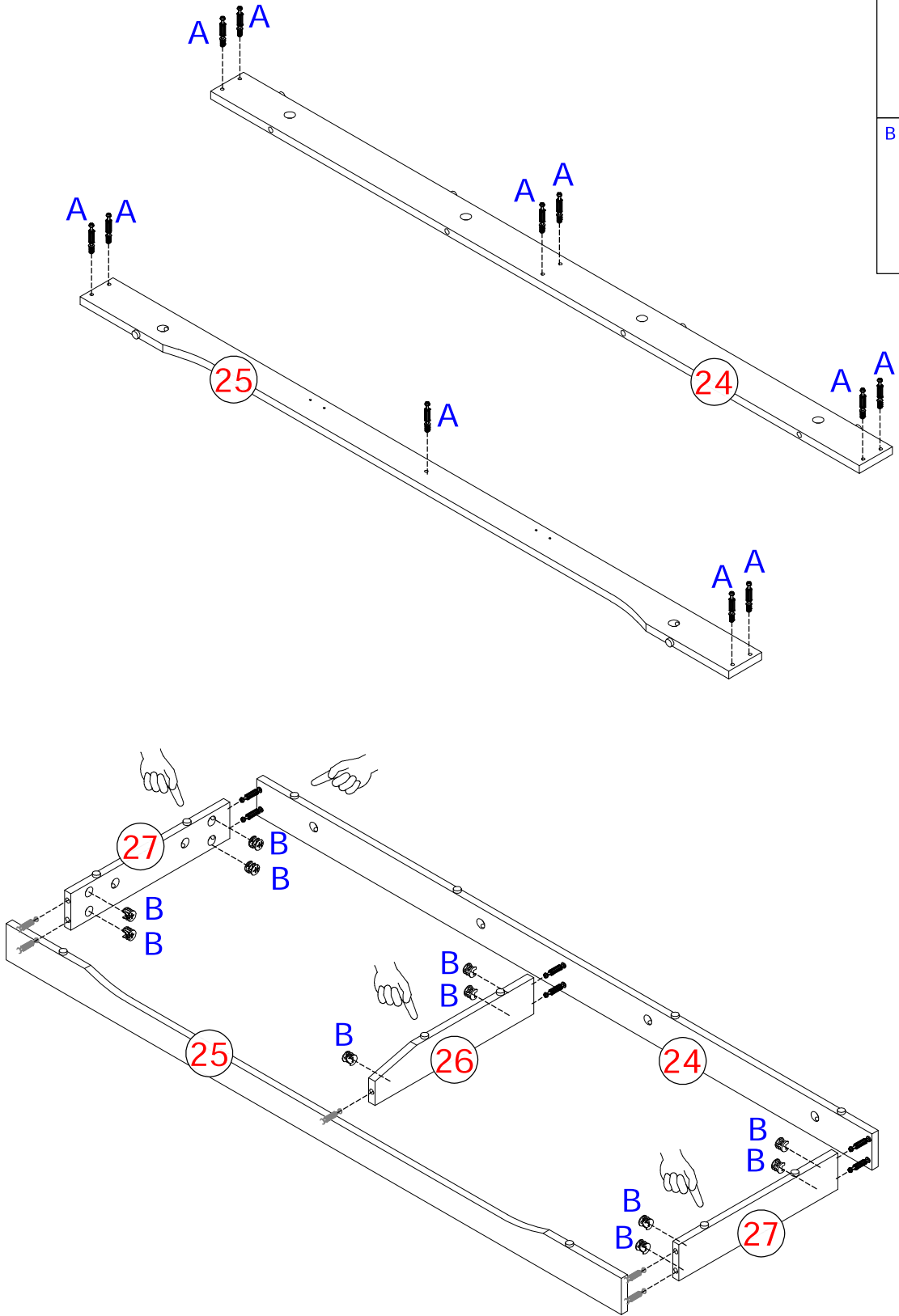


11 PCS

B Ø15x10



11 PCS

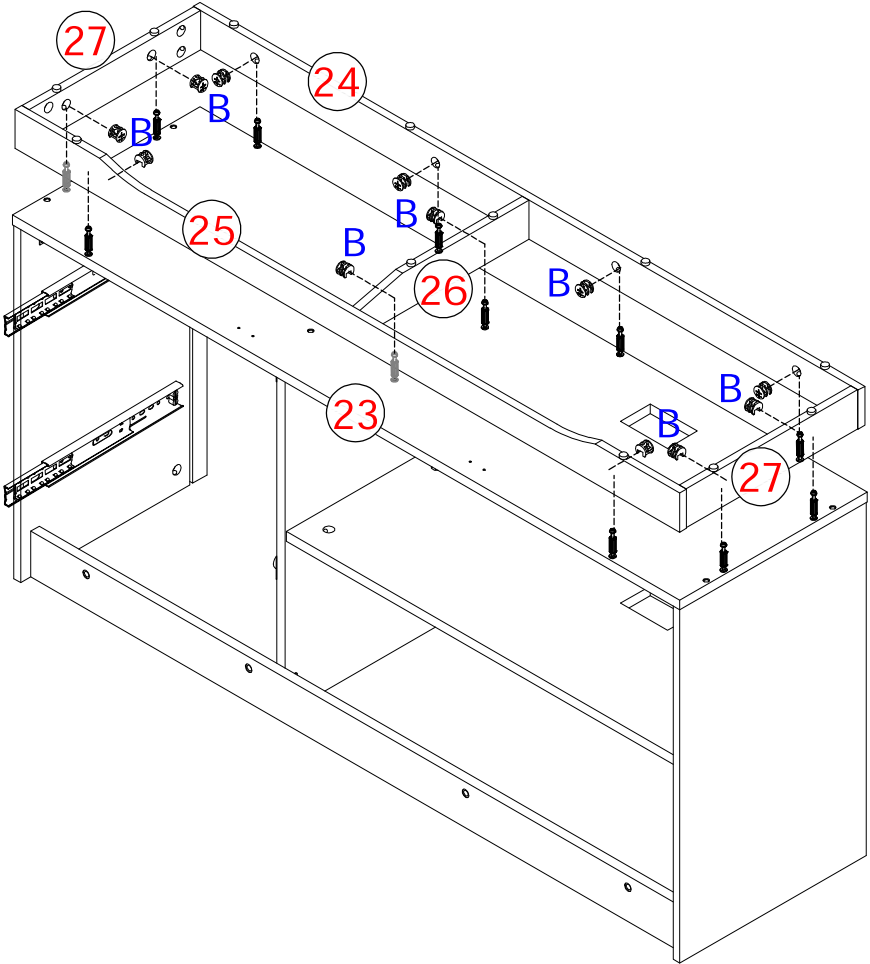


13

B Ø15x10



12 PCS



14

D M3.5x12

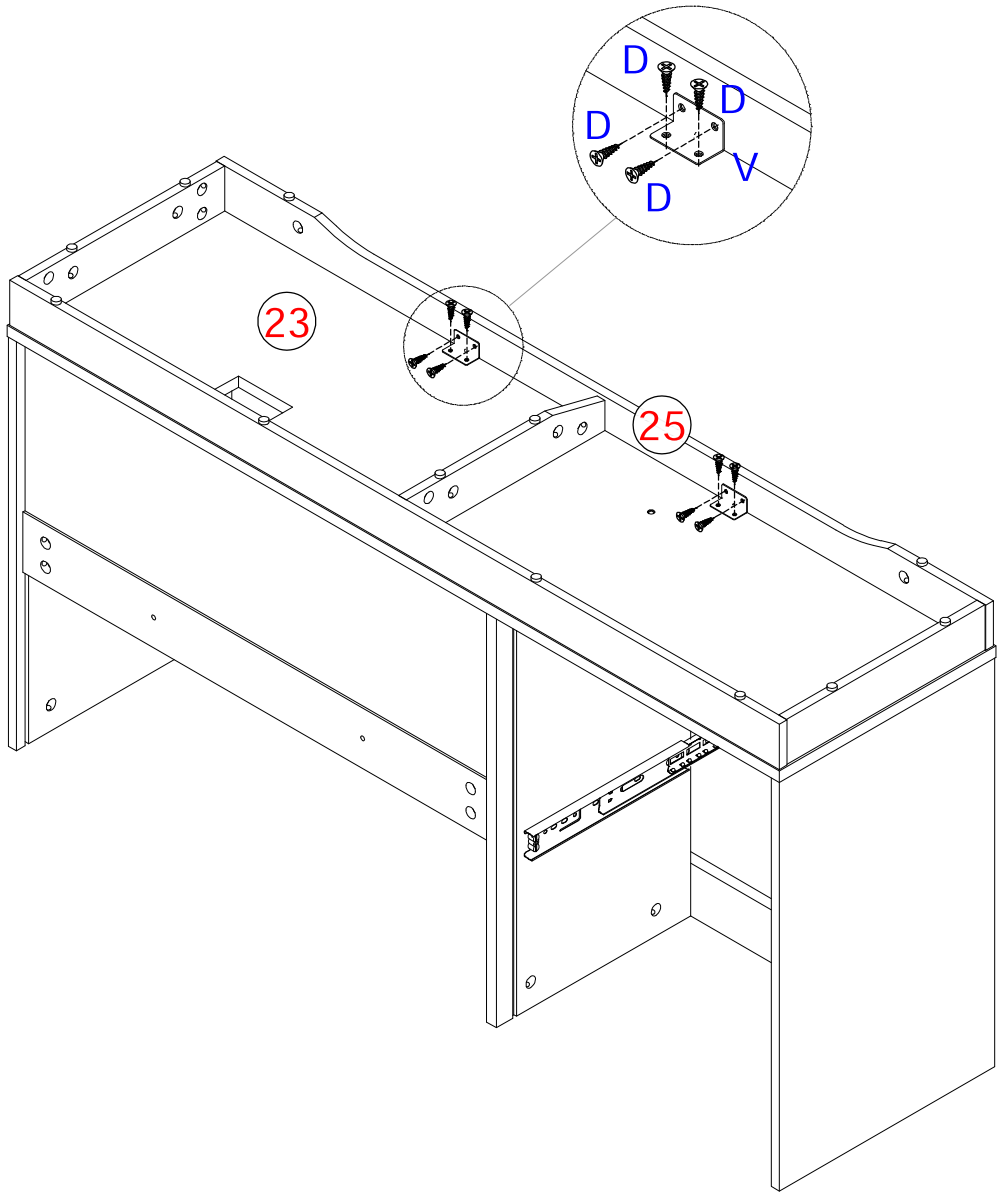


8 PCS

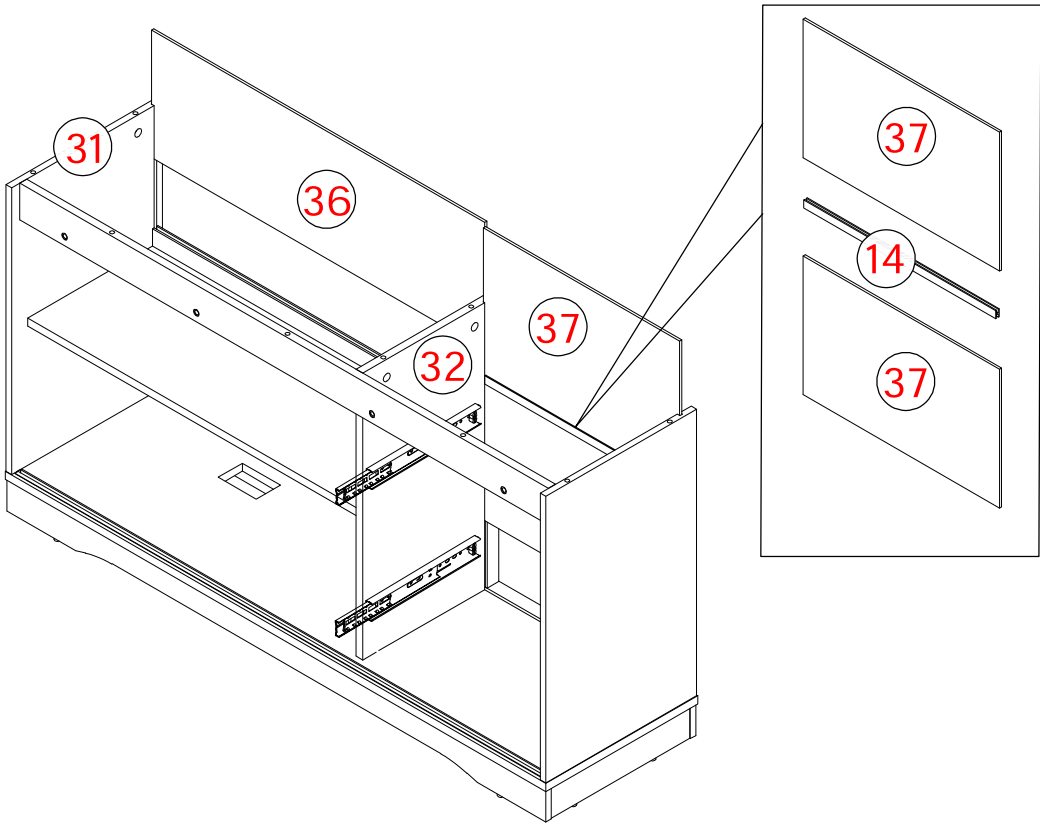
V 38x20x25



2 PCS



15



D M3.5x12

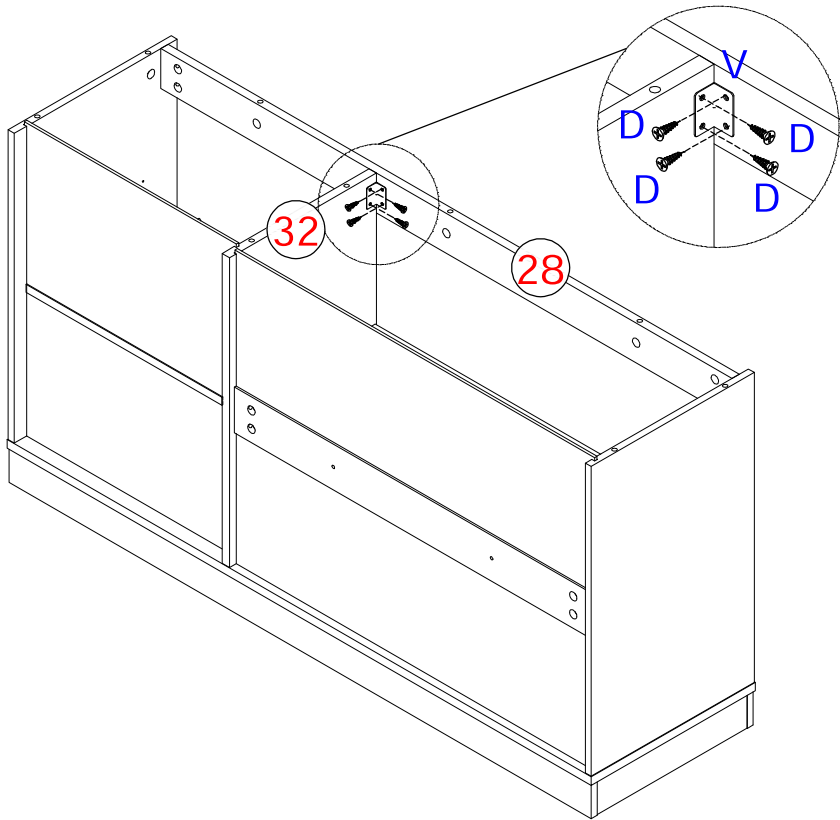


4 PCS

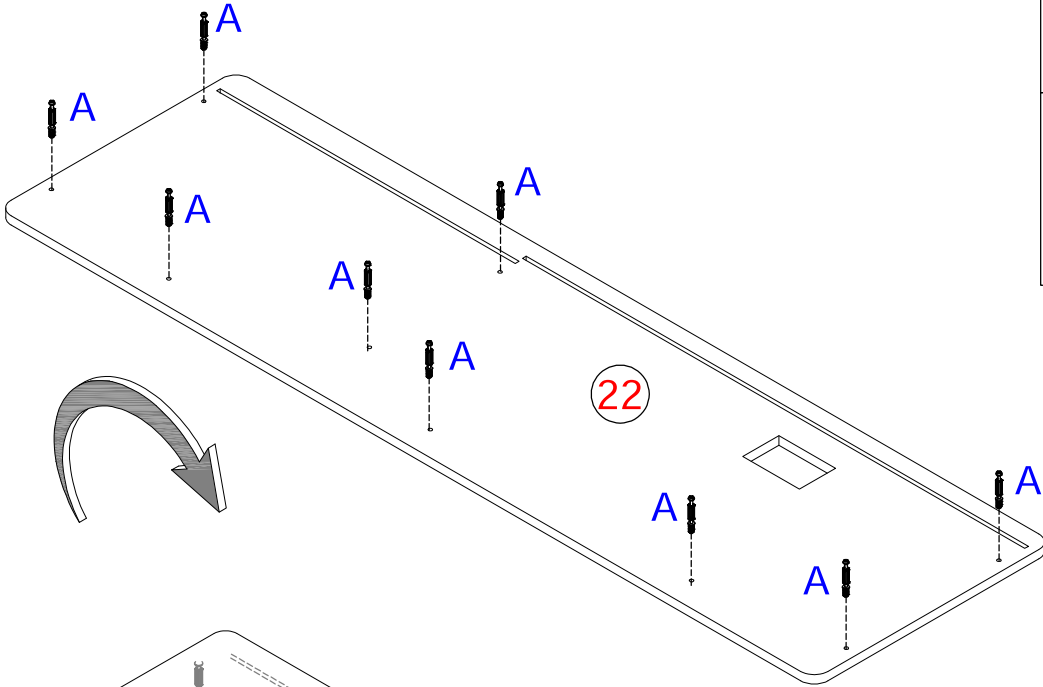
V 38x20x25



1 PCS



16



A M5x42

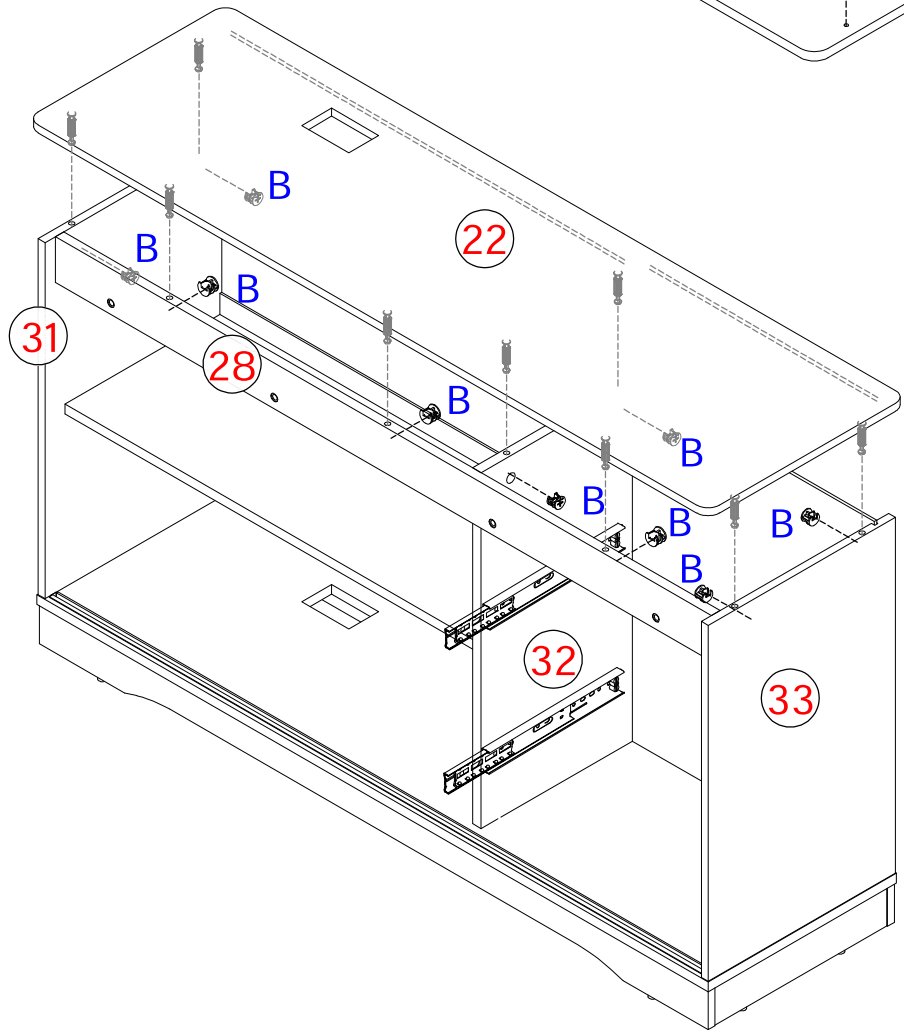


9 PCS

B Ø15x10



9 PCS



17

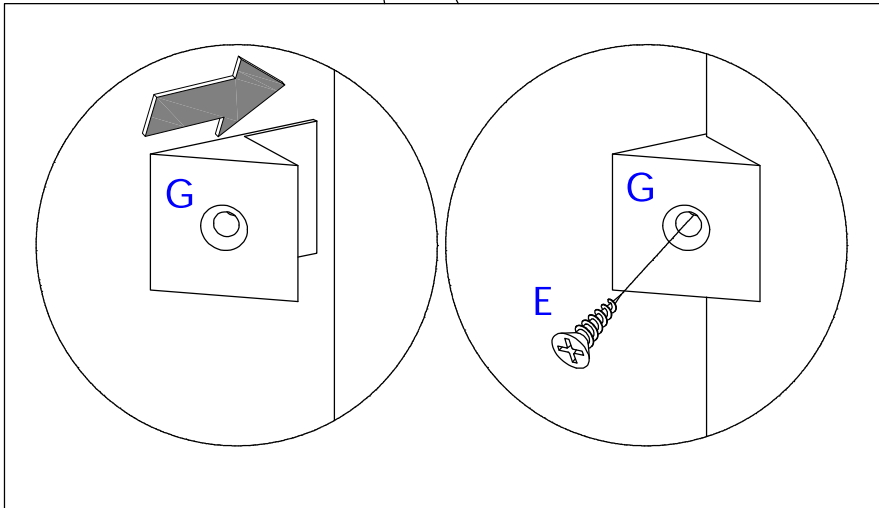
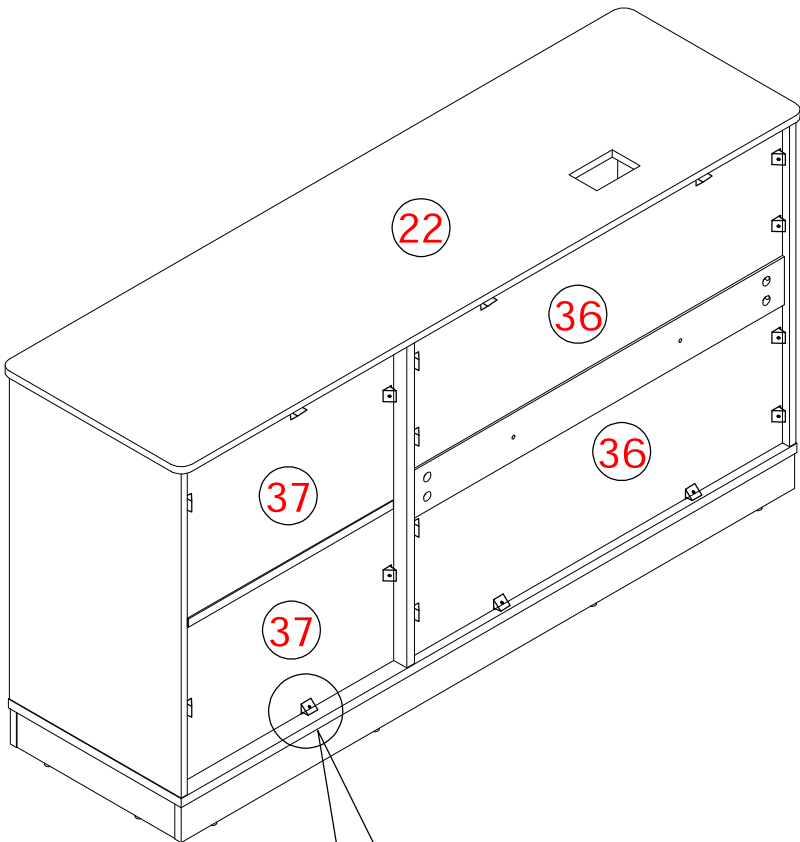
E M3.5x14

G



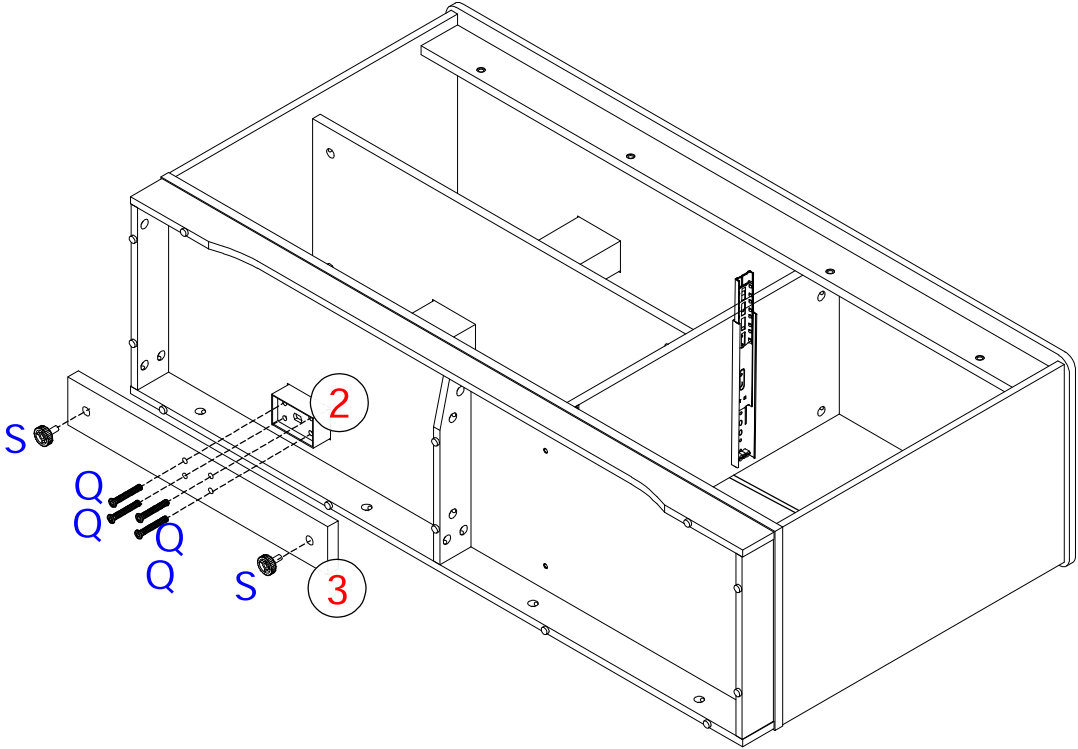
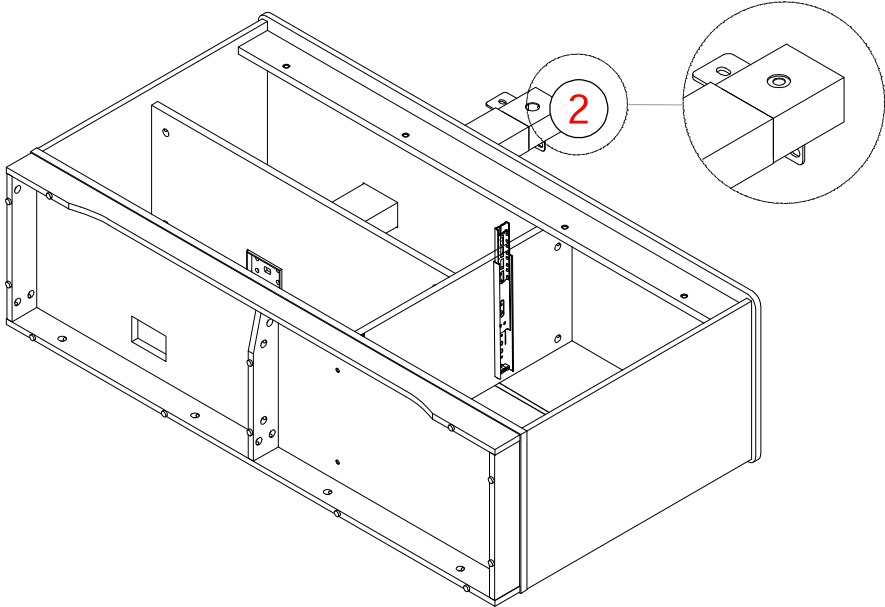
18 PCS

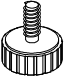
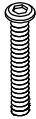
18 PCS



18

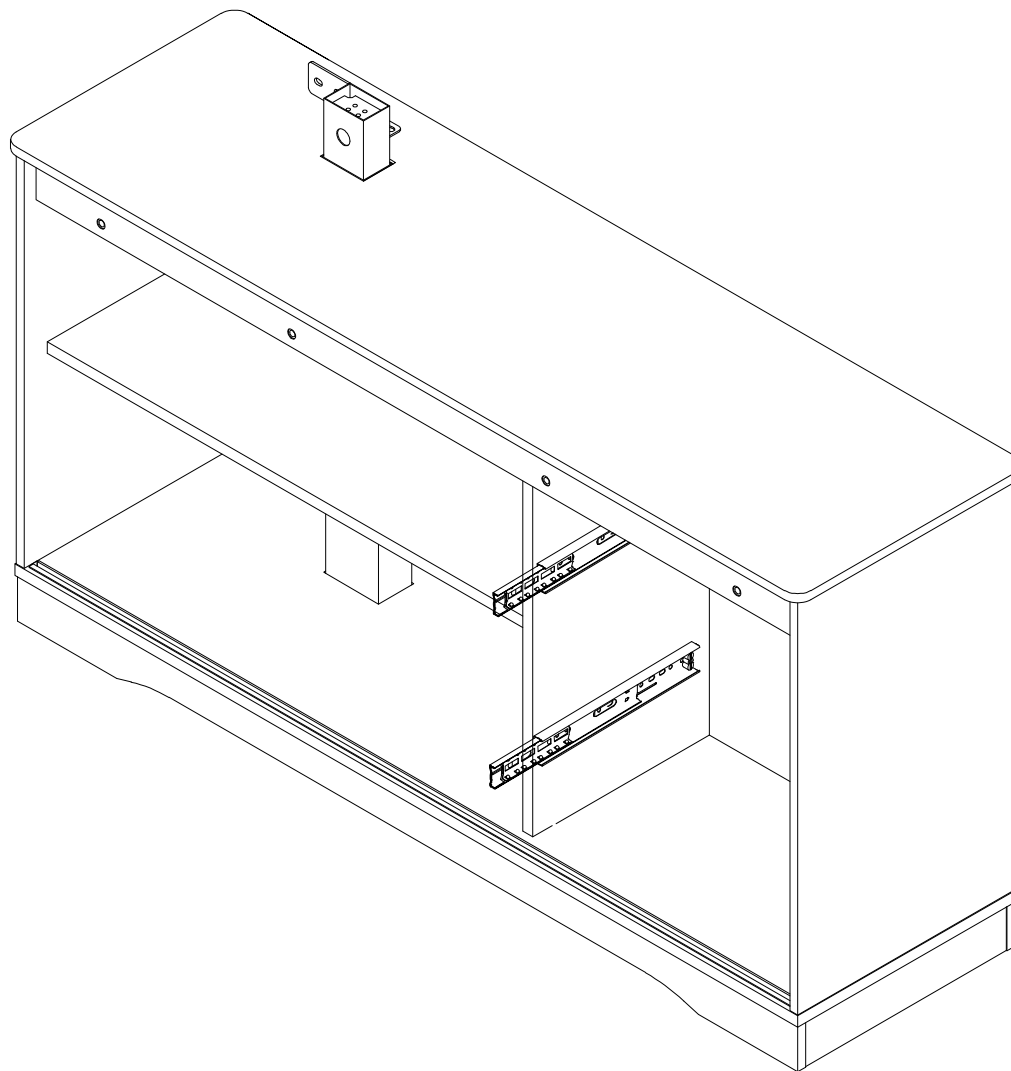
Note the direction of the iron pipe installation



- S M6X15

2 PCS
- Q M8x40

4 PCS



19

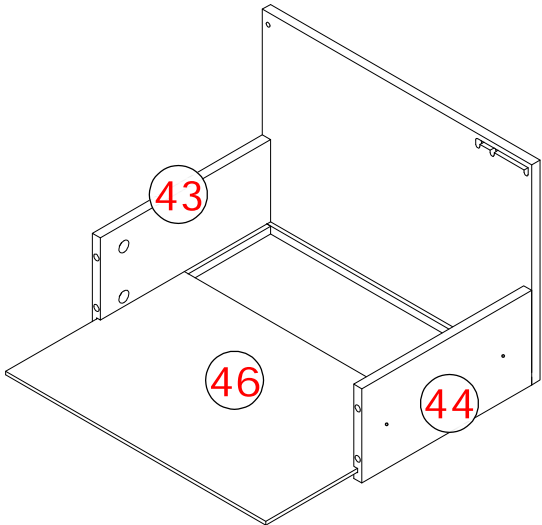
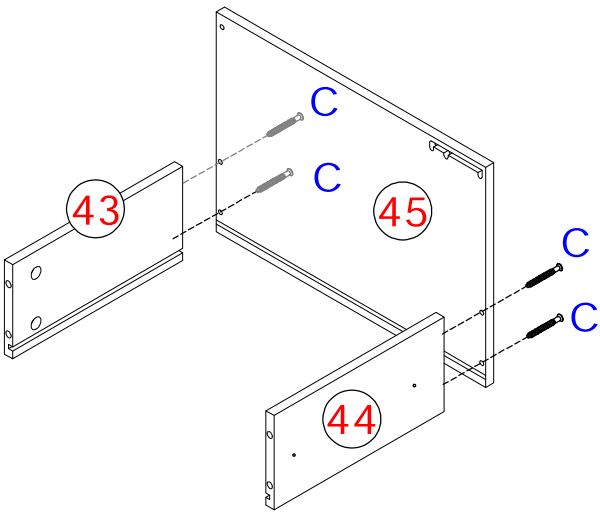
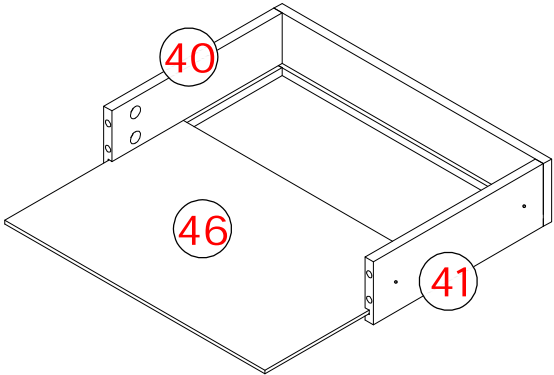
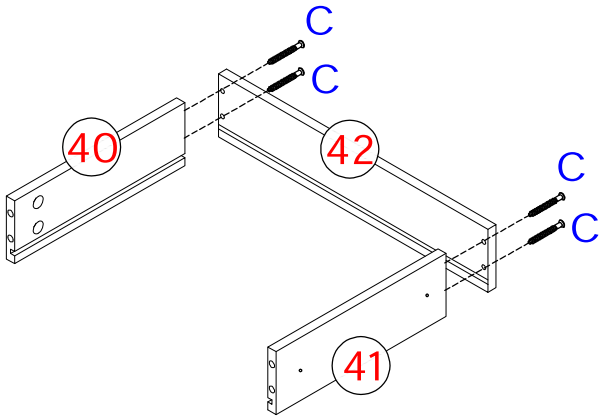


20

C M5x40



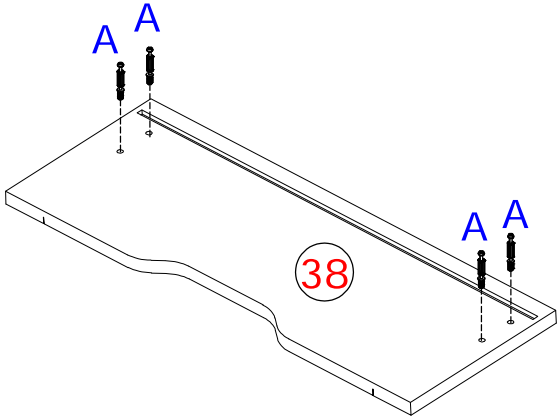
8 PCS



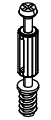
46

44

21



A M5x42

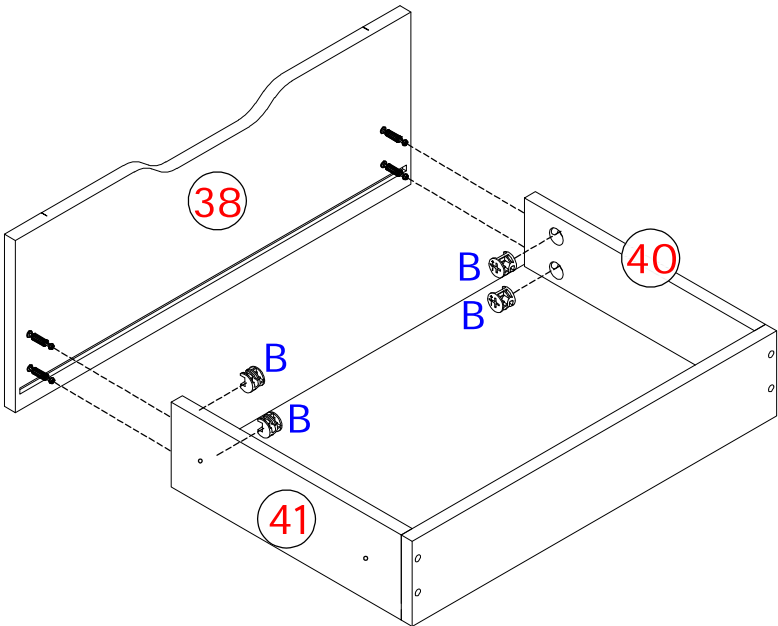


4 PCS

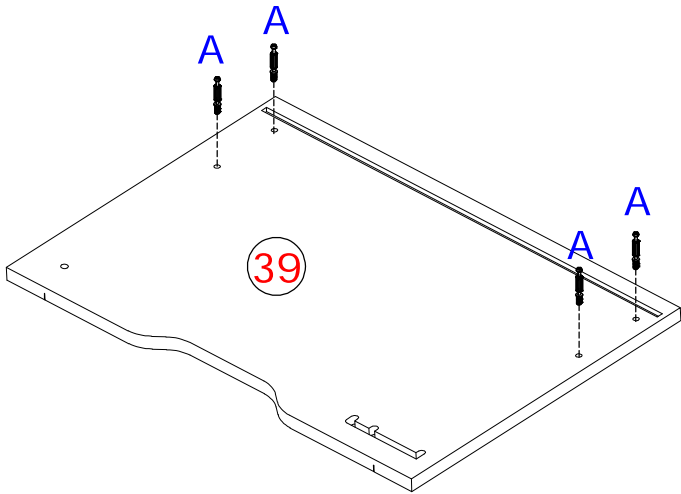
B Ø15x10



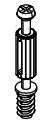
4 PCS



22



A M5x42

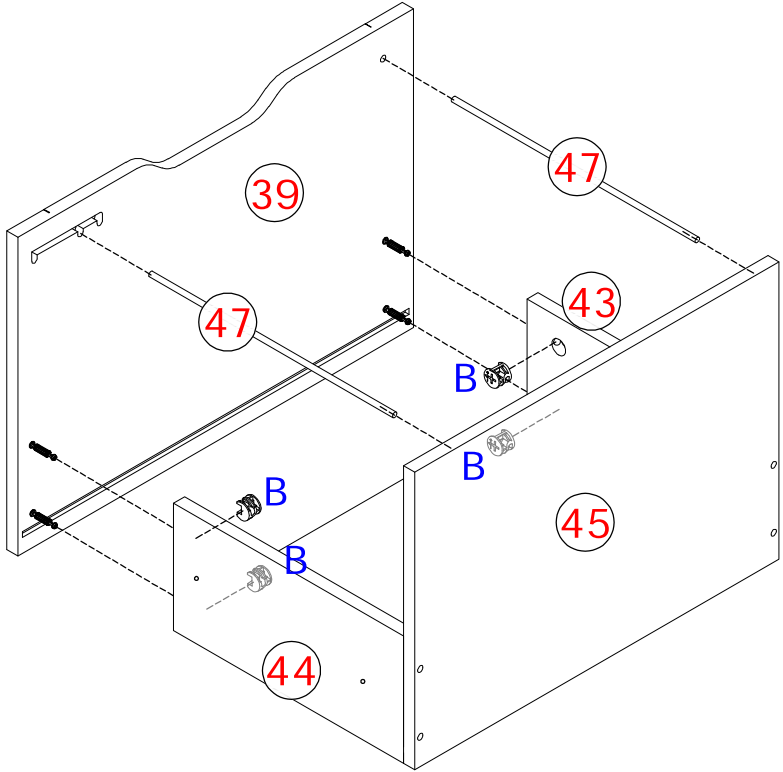


4 PCS

B Ø15x10



4 PCS

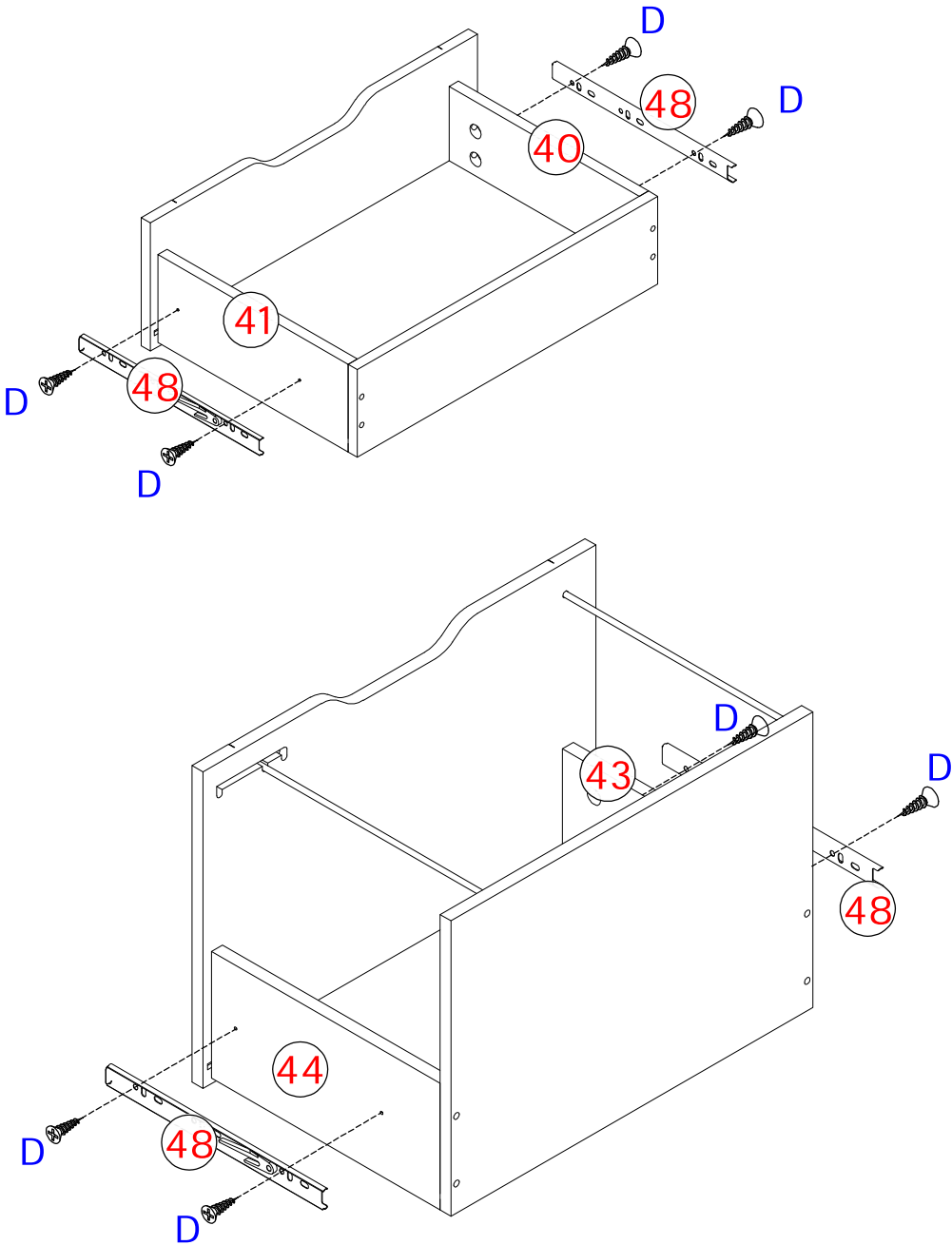
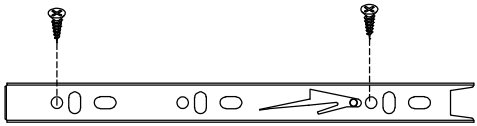


23

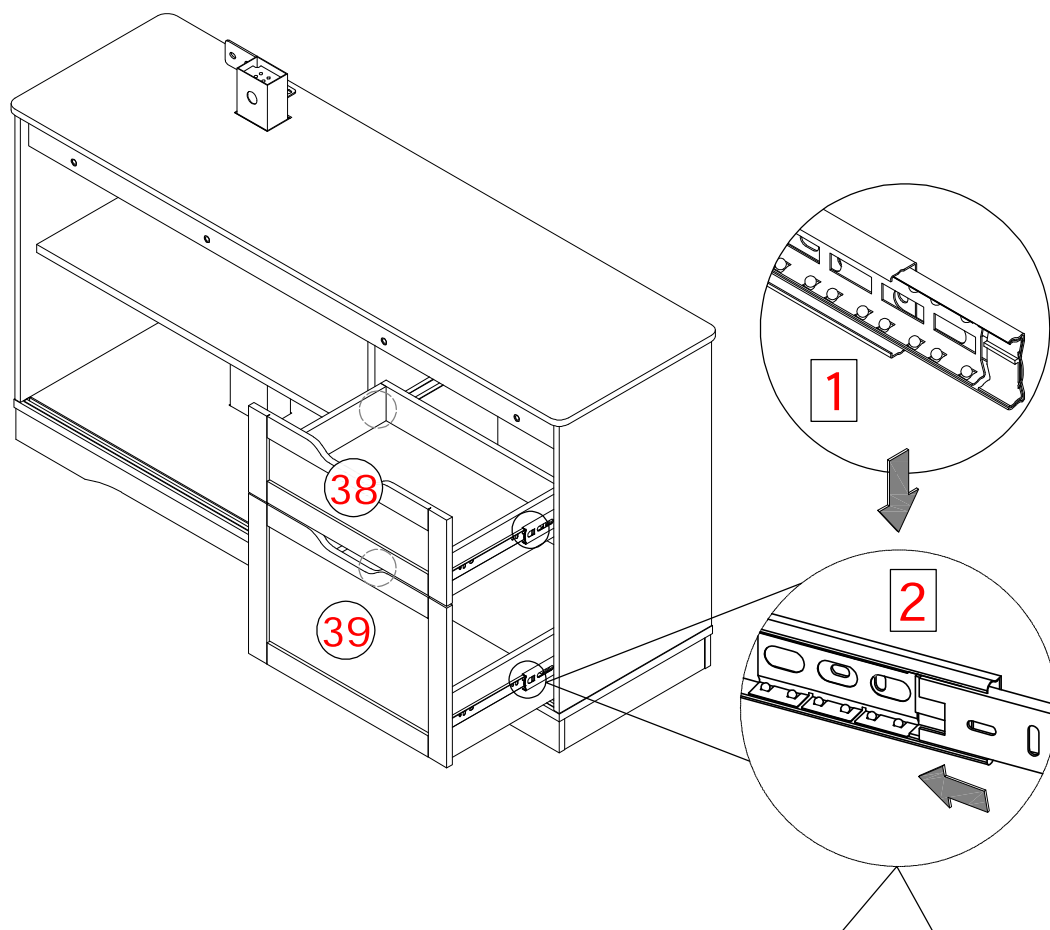
D M3.5x12



8 PCS

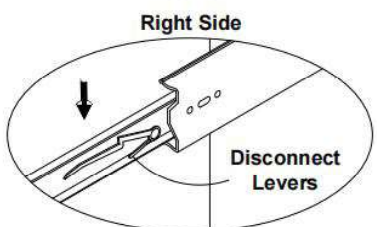
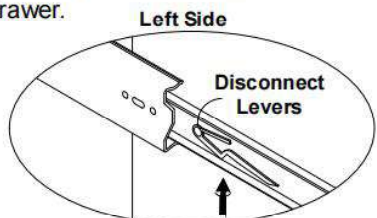


24



How to Remove drawer if Needed:

- 1) Fully extend the drawer until the levers become visible.
- 2) Simultaneously press **UPWARD** on the left-side lever and **DOWNWARD** on the right-side lever to disengage the locking mechanism.
- 3) Holding the levers in place, extend the drawer.



To Insert Drawer Into Cabinet

- 1) Slide the ball bearing retainer fully forward along the guide rail, as shown.
- 2) With two-person coordination, stabilize the cabinet slide while aligning and inserting the drawer slide through the ball bearing retainer channel as shown.
- 3) Apply controlled forward pressure to insert the drawer, you may encounter slight resistance until both slides fully engage, after which the drawer should glide smoothly.

NOTE: Avoid using excessive force during drawer insertion; improper alignment may damage slide mechanisms.

⚠ WARNING



Unit can tip over causing severe injury or death.

- DO NOT allow children to climb on unit.
- Put heavy items on lower shelves or drawers.
- Open one drawer at a time.
- Read and follow all assembly instructions.

25

W M6x25

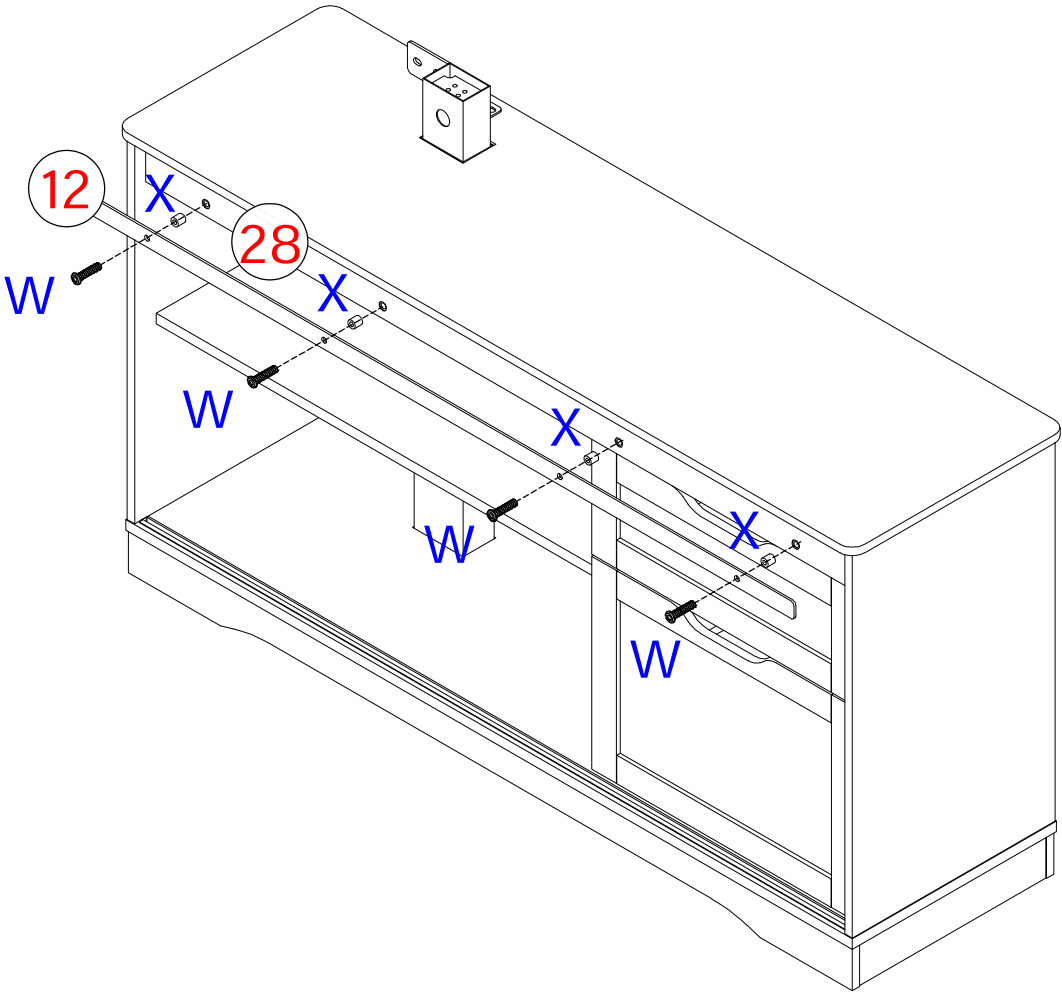


4 PCS

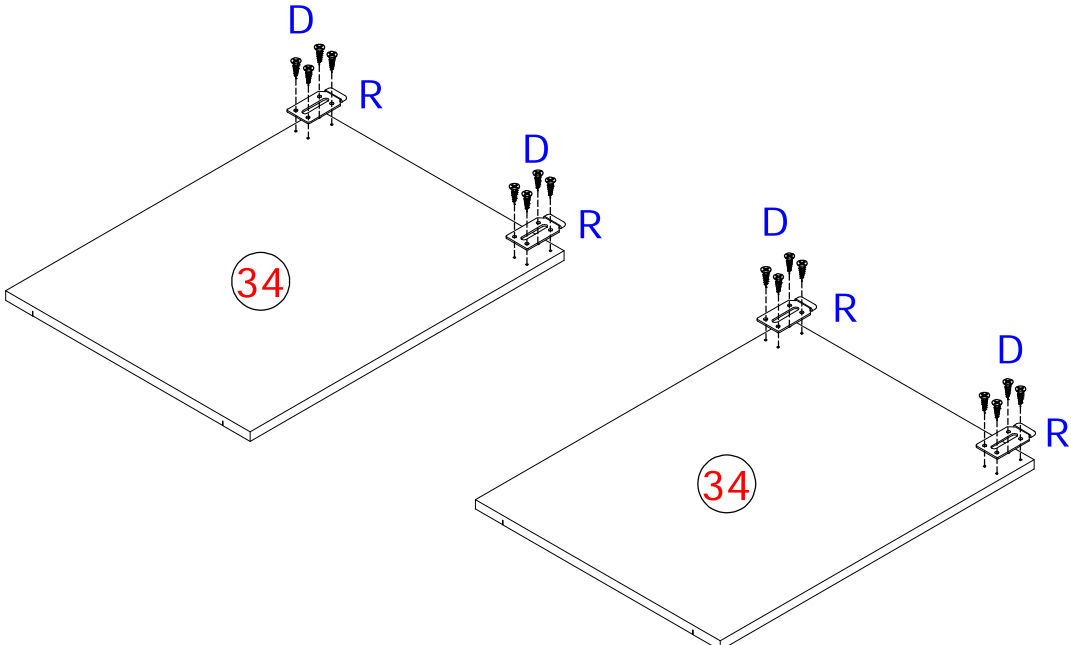
X Ø12xØ6x12



4 PCS



26



D M3.5x12

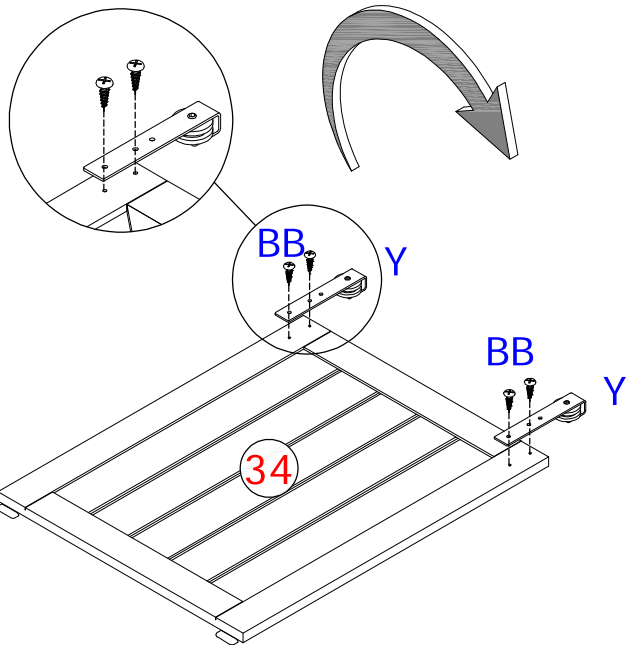


16 PCS

R 62x33x2



4 PCS



BB M3.5x12



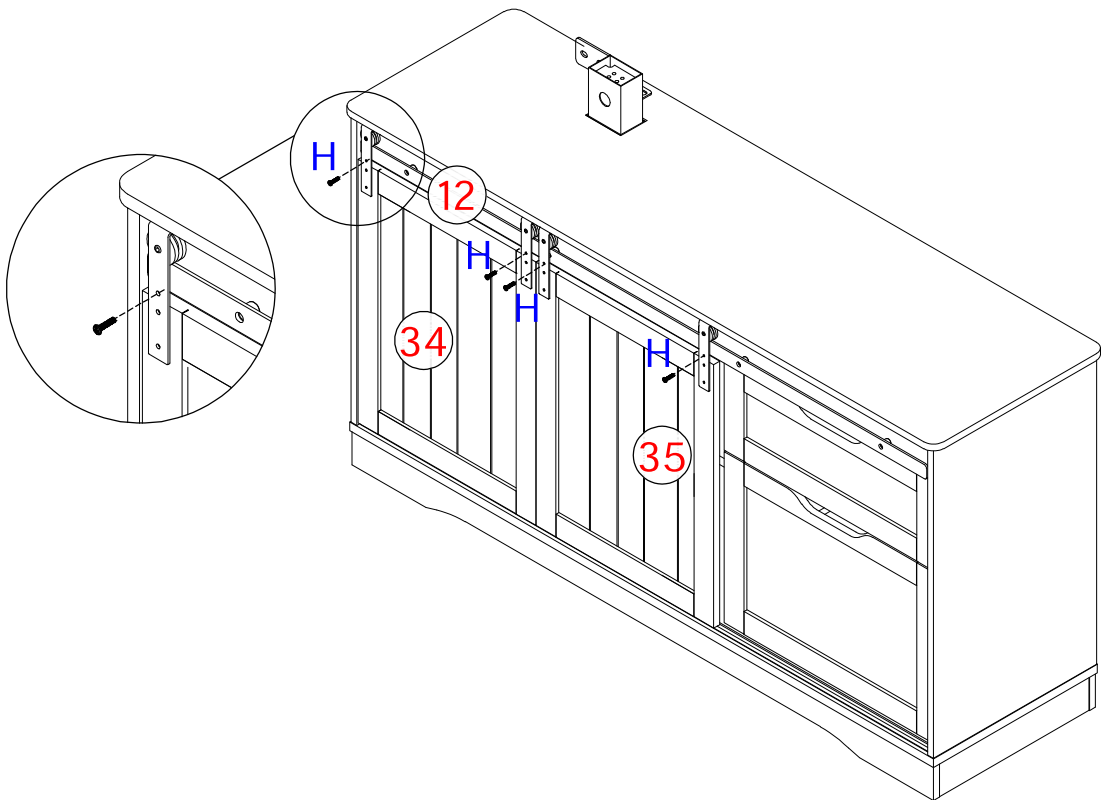
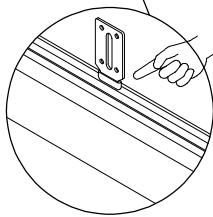
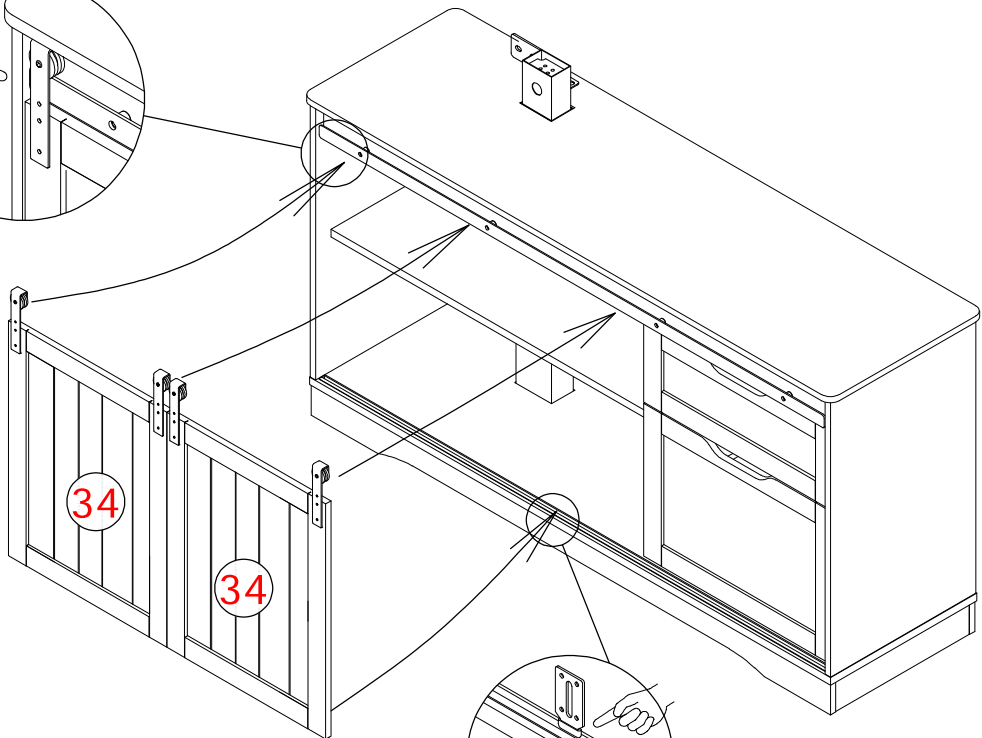
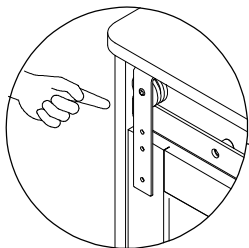
8 PCS

Y 115x20x17



4 PCS

27



H M4x16



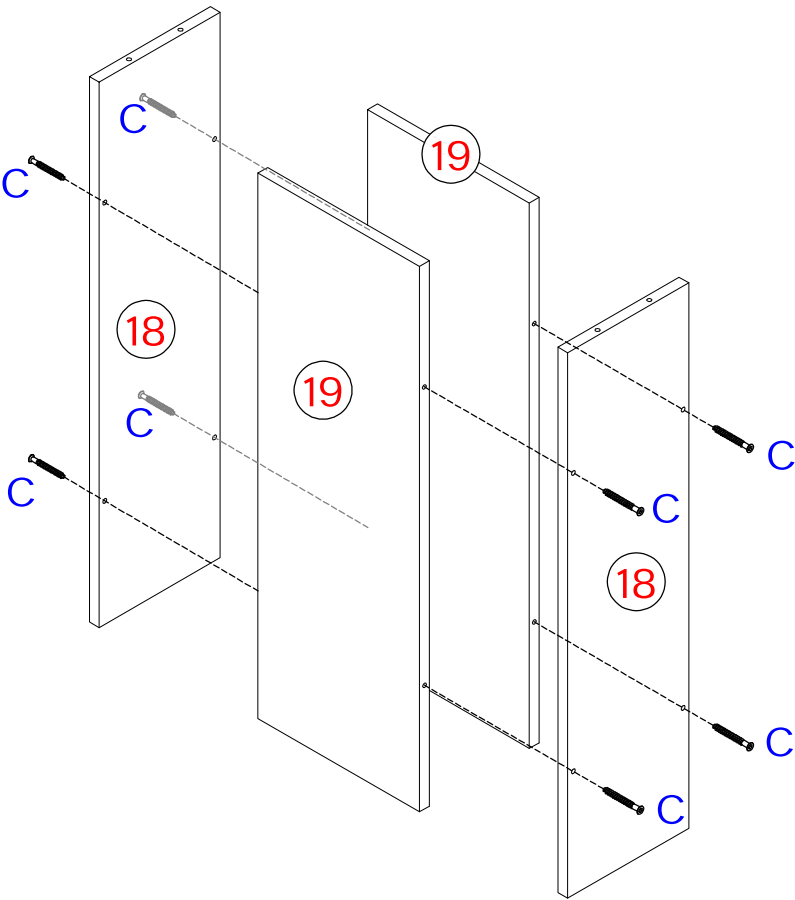
4 PCS

28

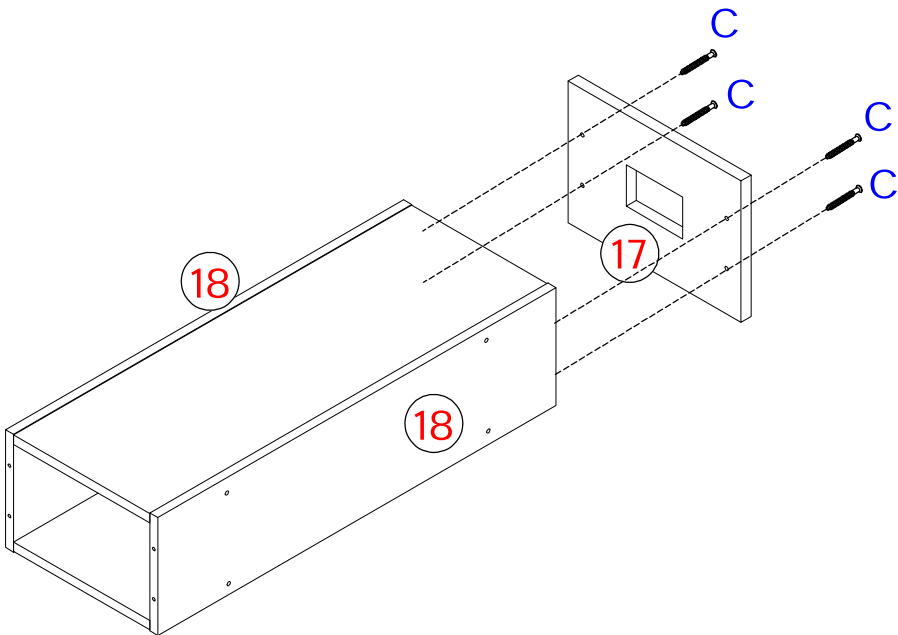
C M5x40



8 PCS



29

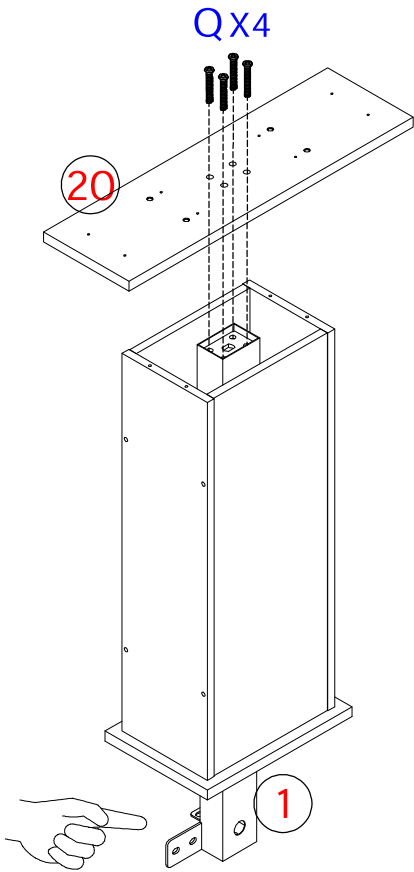


C M5x40

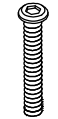


4 PCS

30



Q M8x40



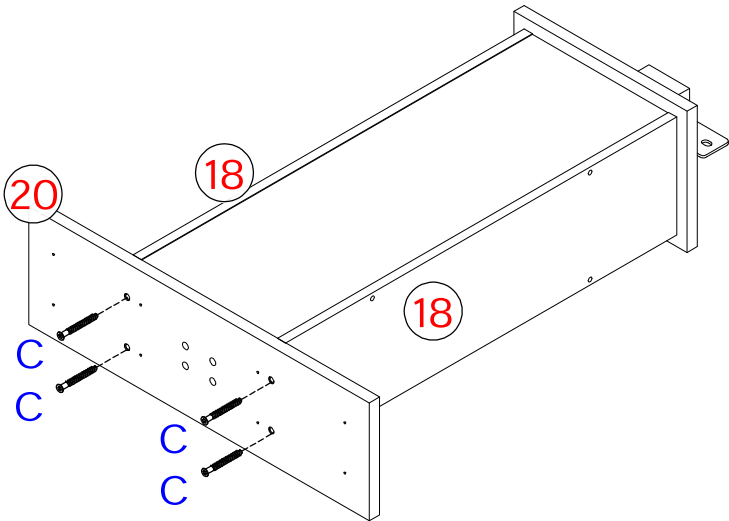
4 PCS

31

C M5x40



4 PCS

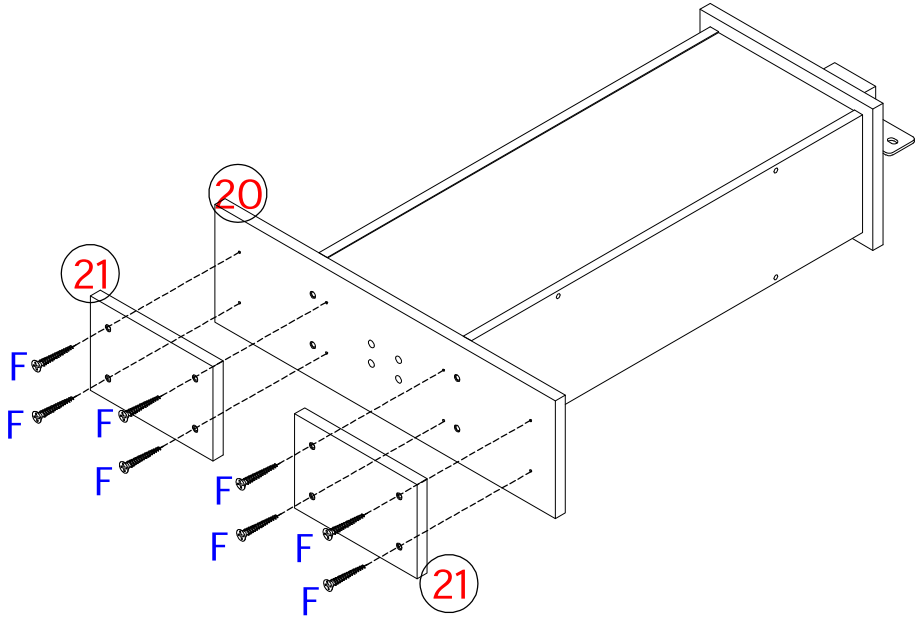


32

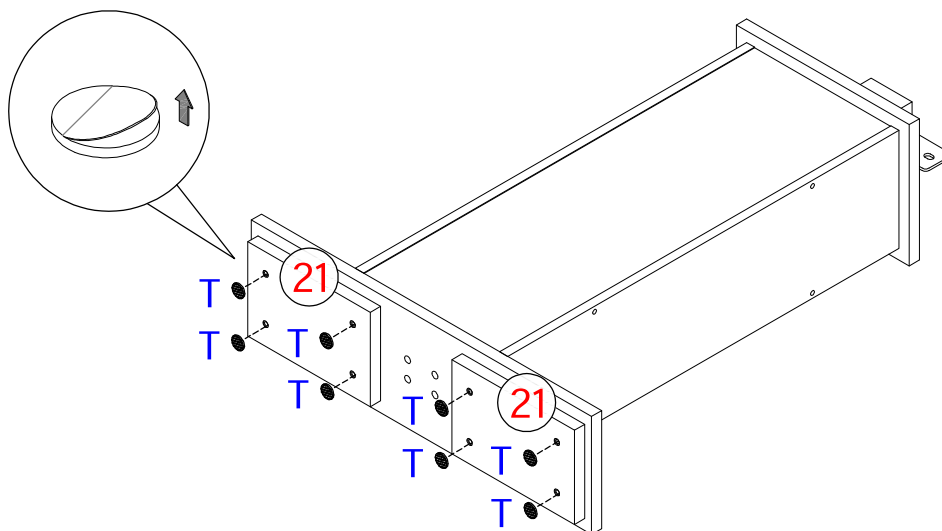
F M3.5x25



8 PCS



33



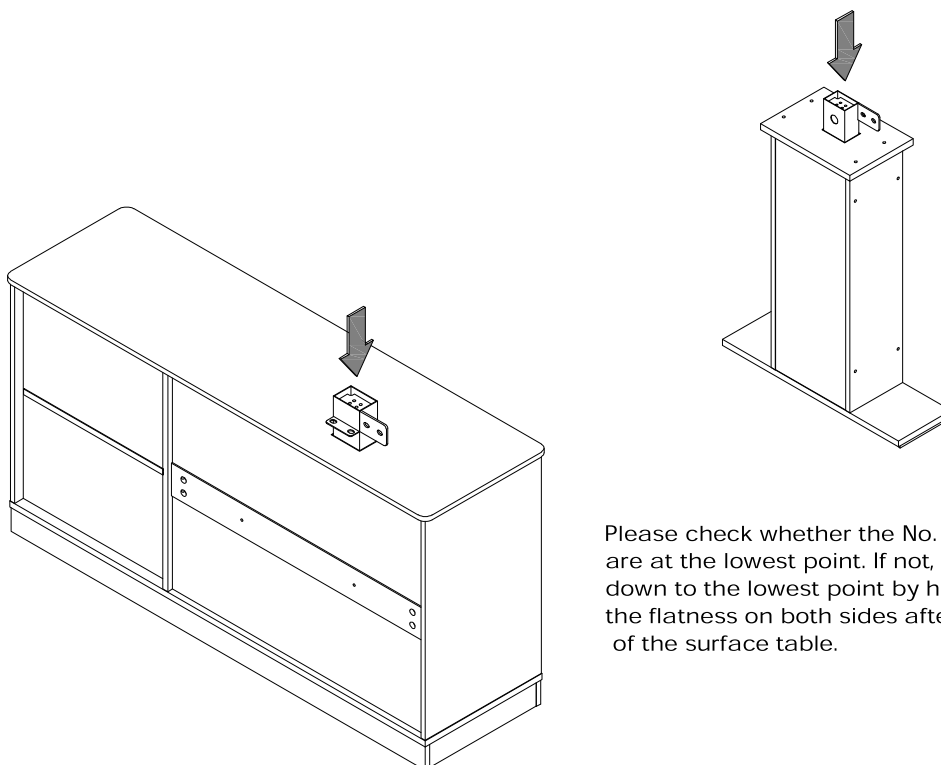
T Ø30x3



8 PCS

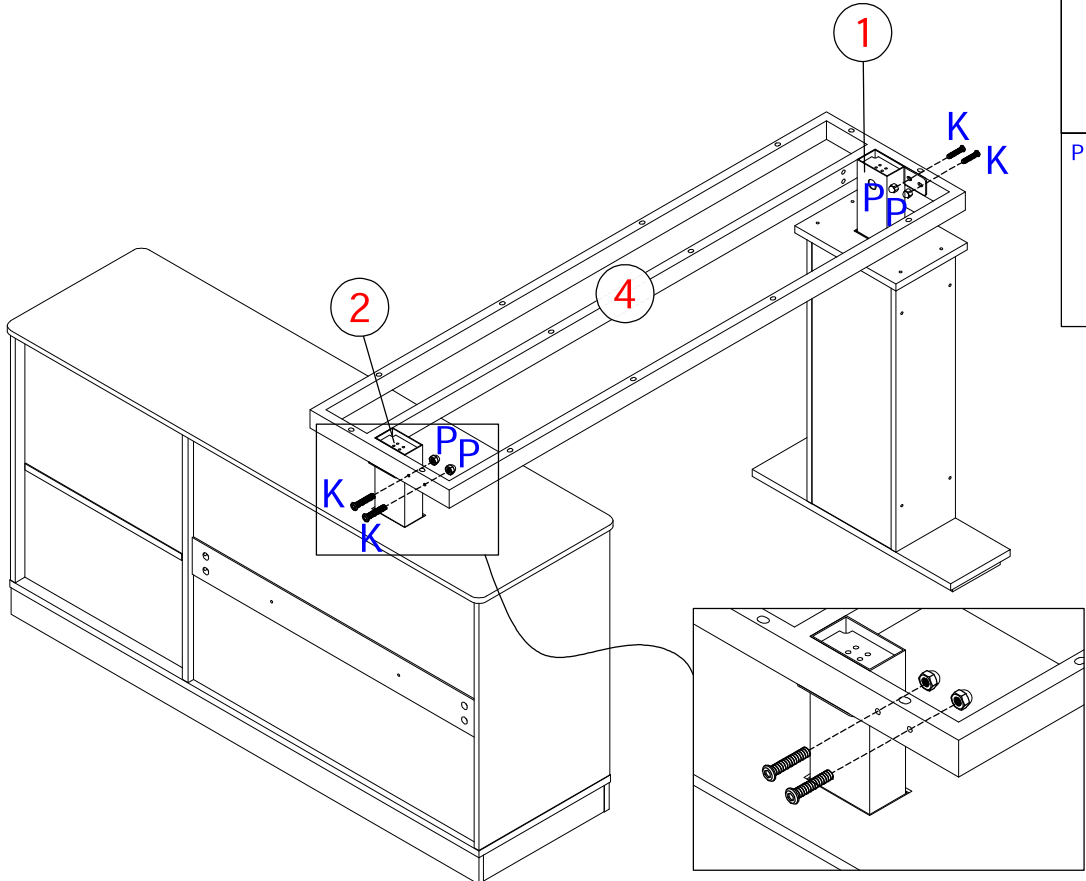
34

Note the direction of the iron pipe installation



Please check whether the No. 1 and No. 2 iron pipes are at the lowest point. If not, gently press them down to the lowest point by hand to ensure the flatness on both sides after the installation of the surface table.

35



K M6x30



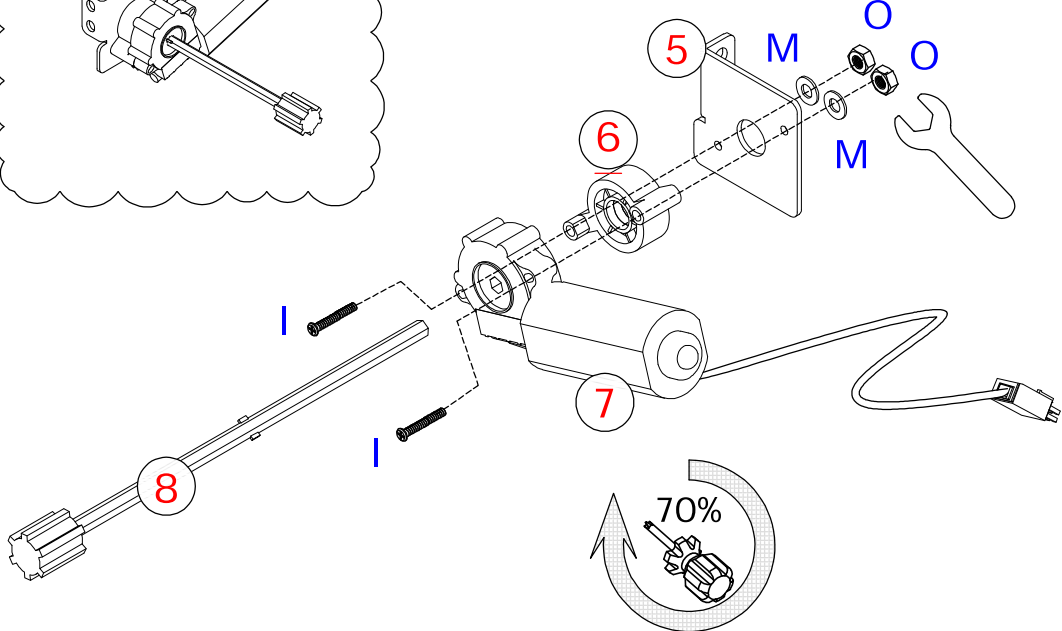
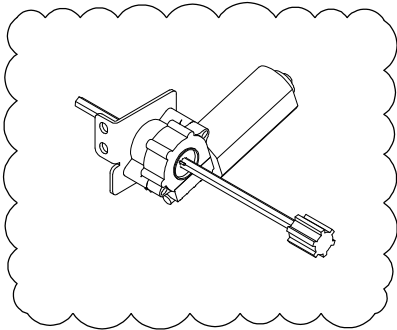
4 PCS

P M6xL12



4 PCS

36



I M4x45



2 PCS

M 14*5*1



2 PCS

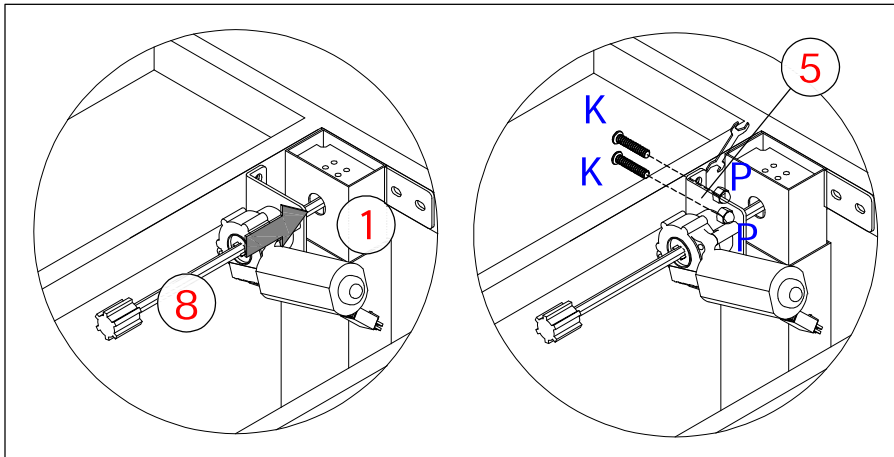
O M4



2 PCS

70%

37



K M6x30

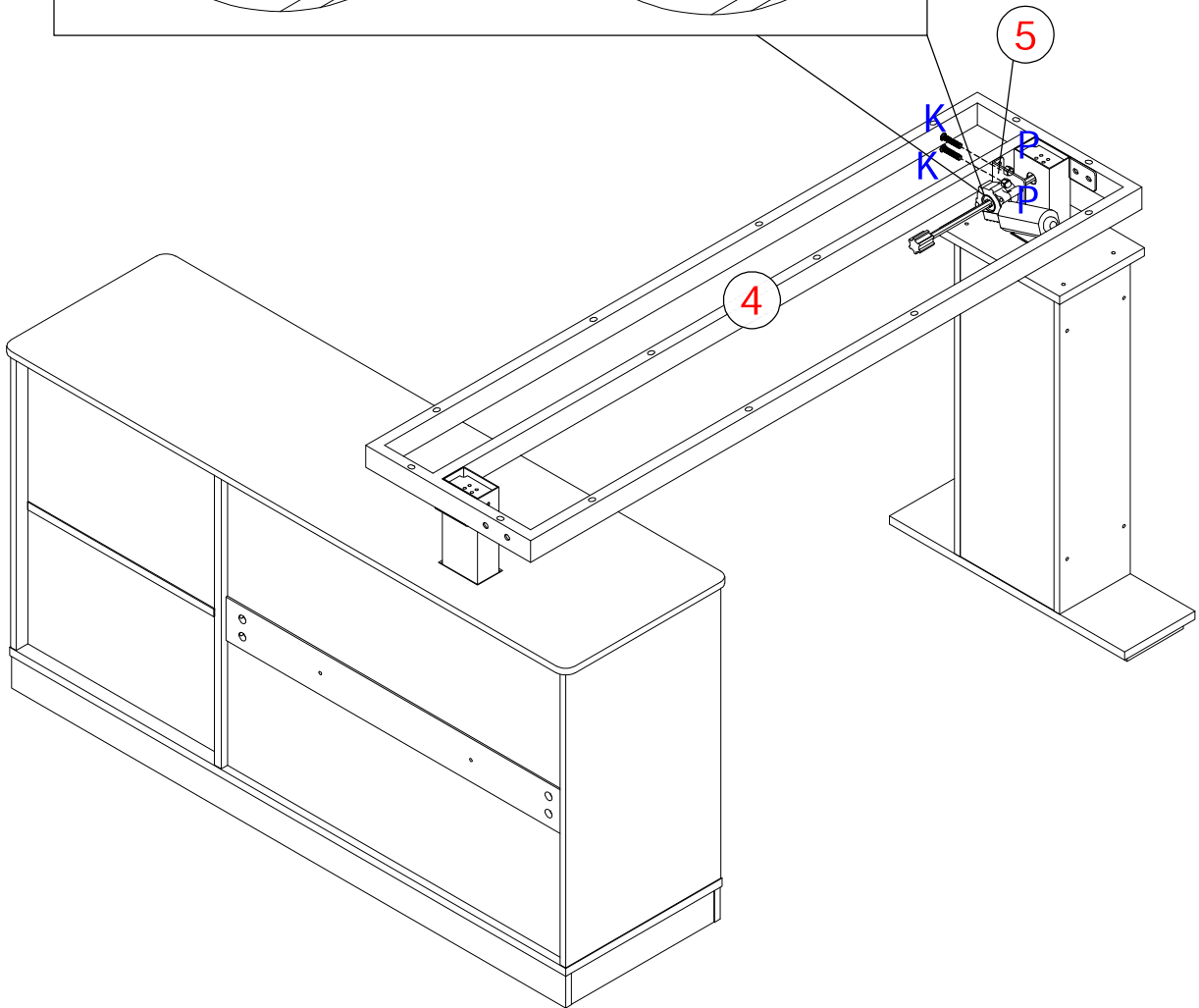
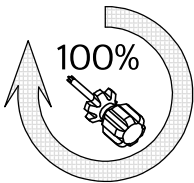


2 PCS

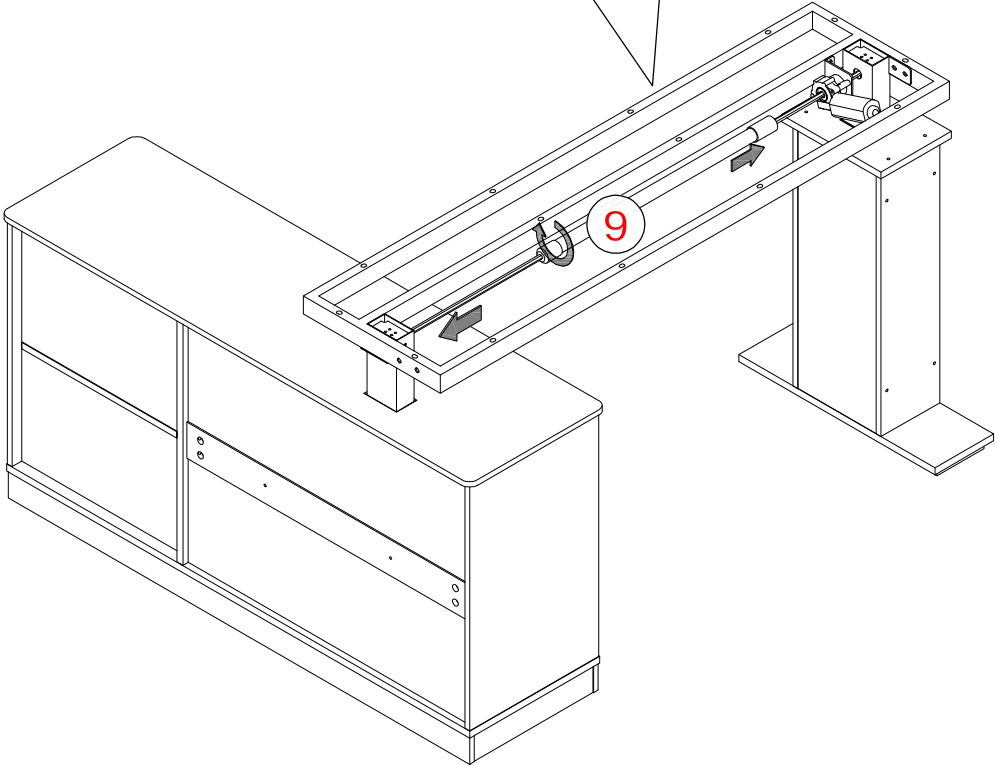
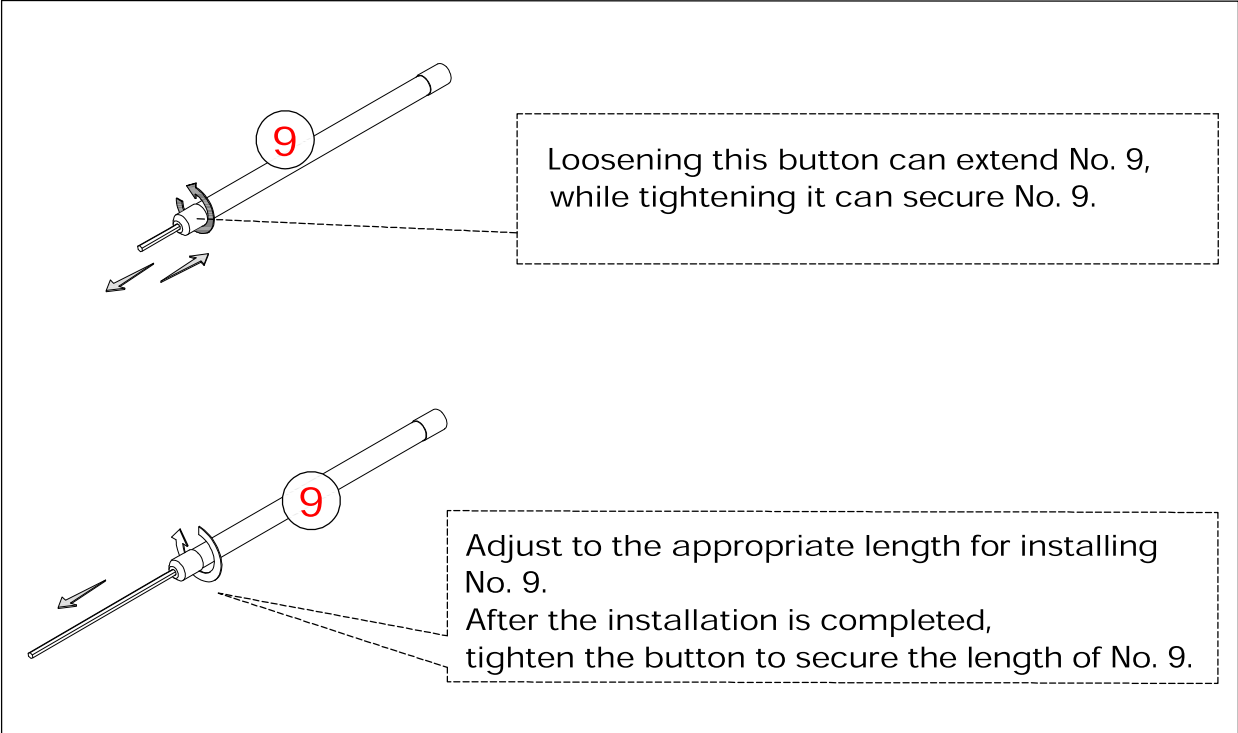
P M6xL12



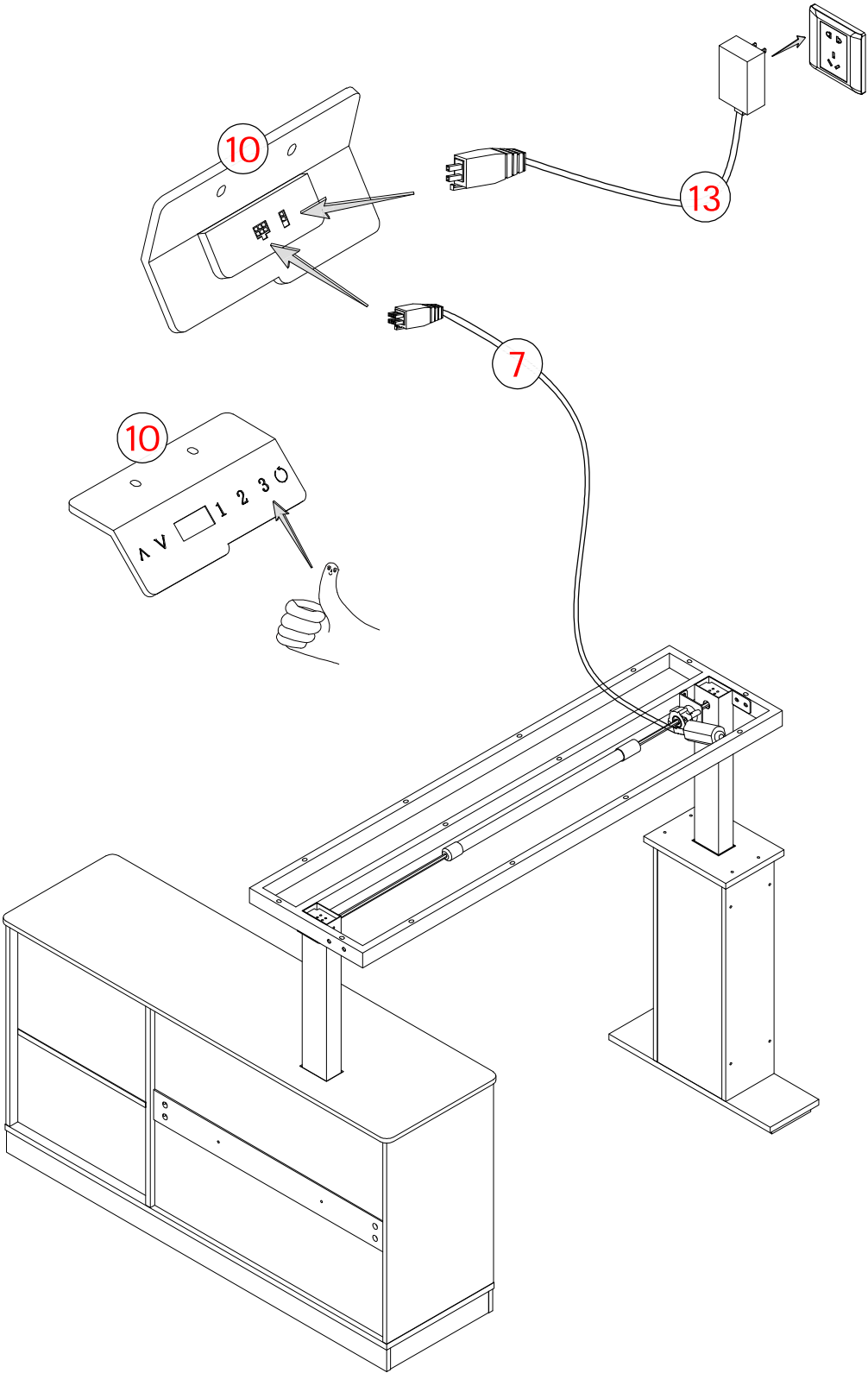
2 PCS



38



39

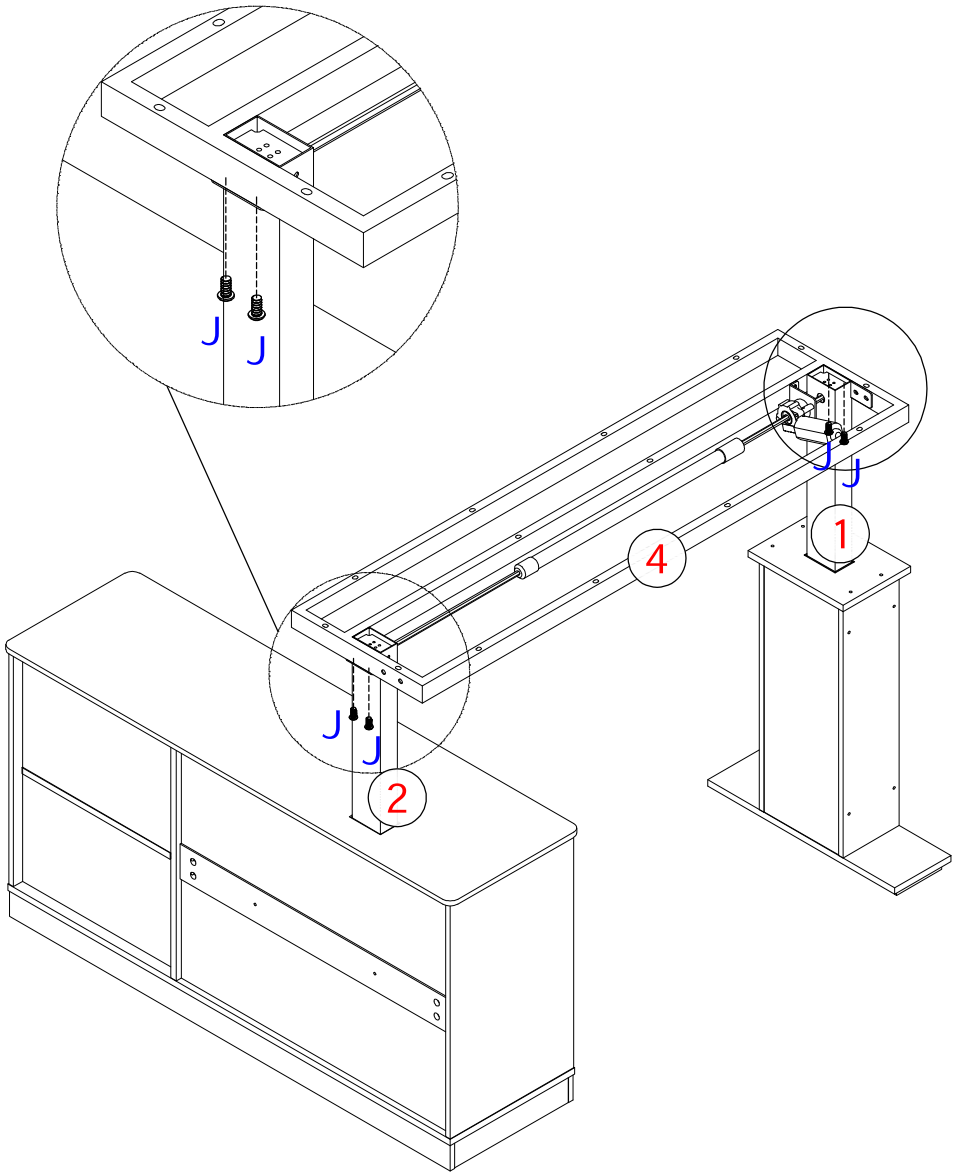


40

J M6x10



4 PCS

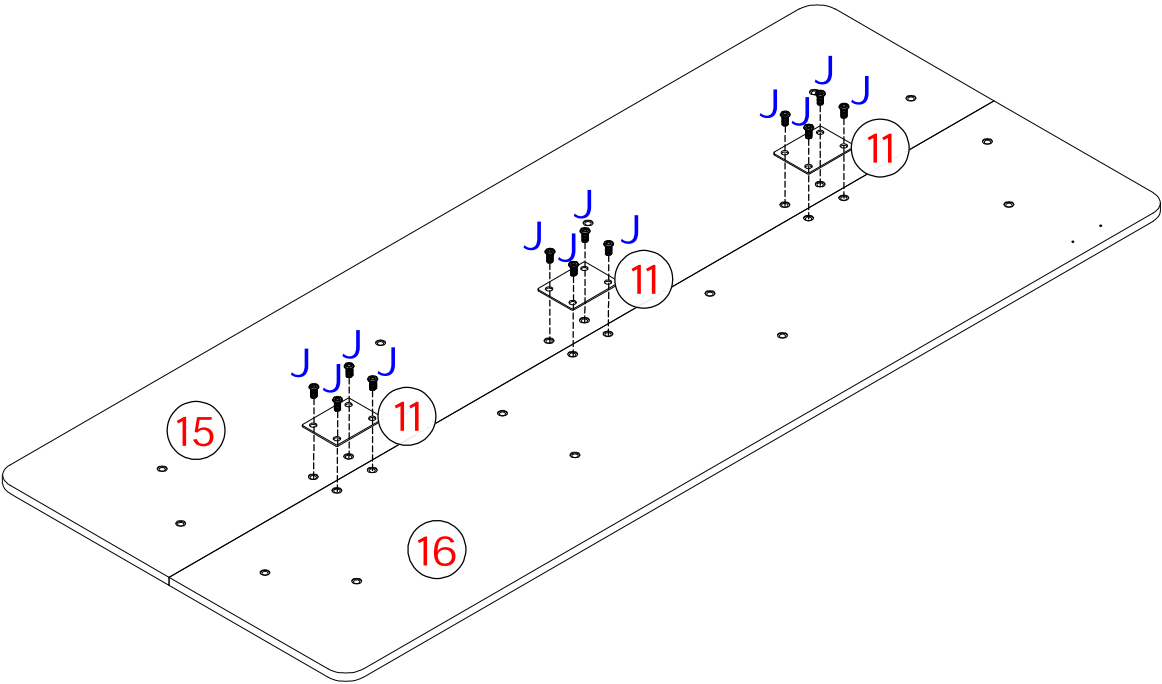


41

J M6x10



12 PCS



42

L M6x50

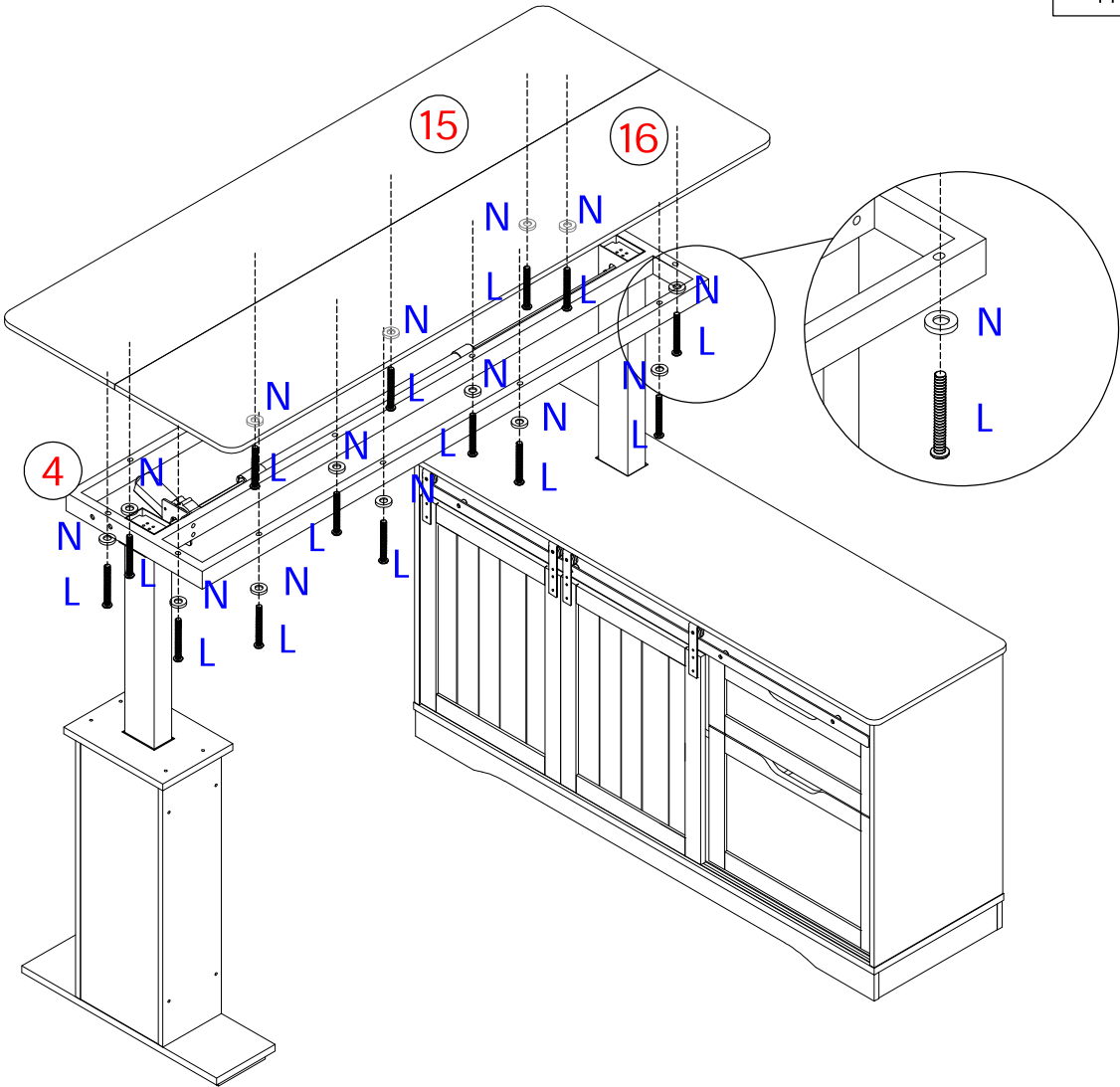


14 PCS

N 15*6*2



14 PCS

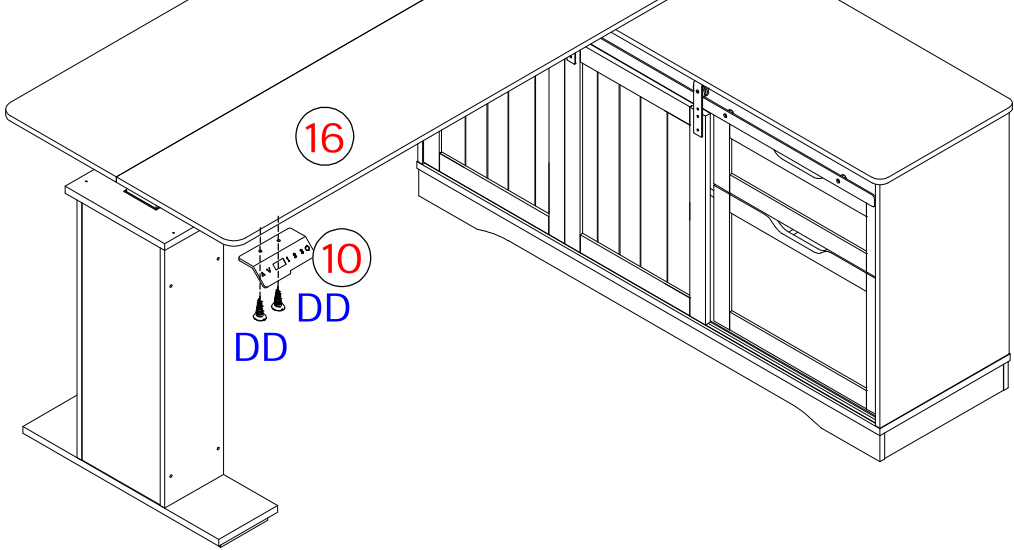
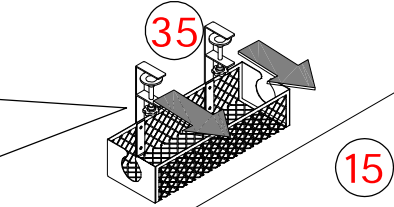
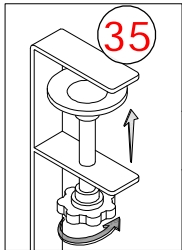
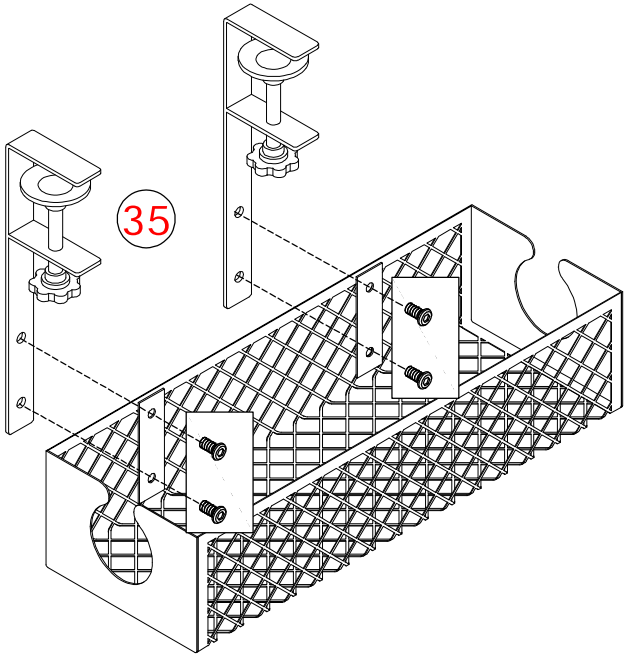


43

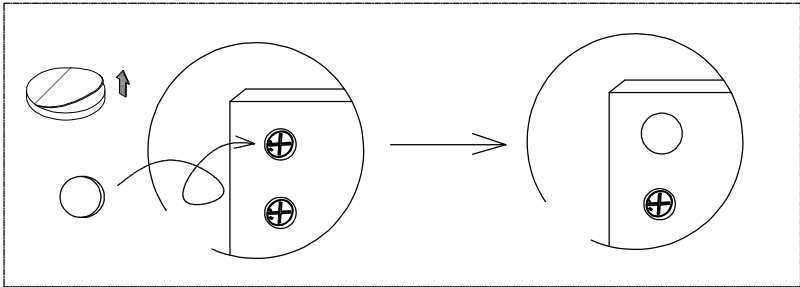
DD M5x12



2 PCS



44



U

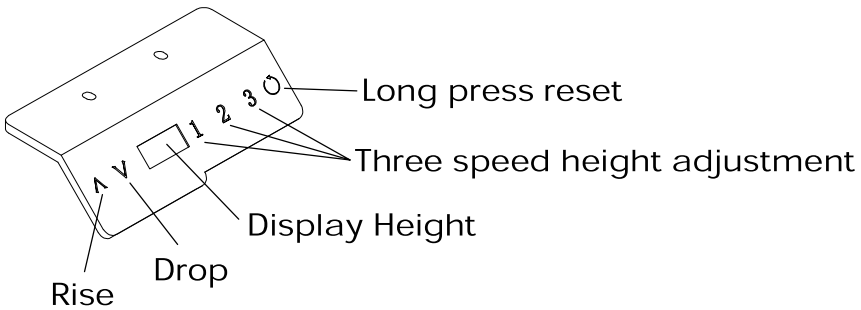
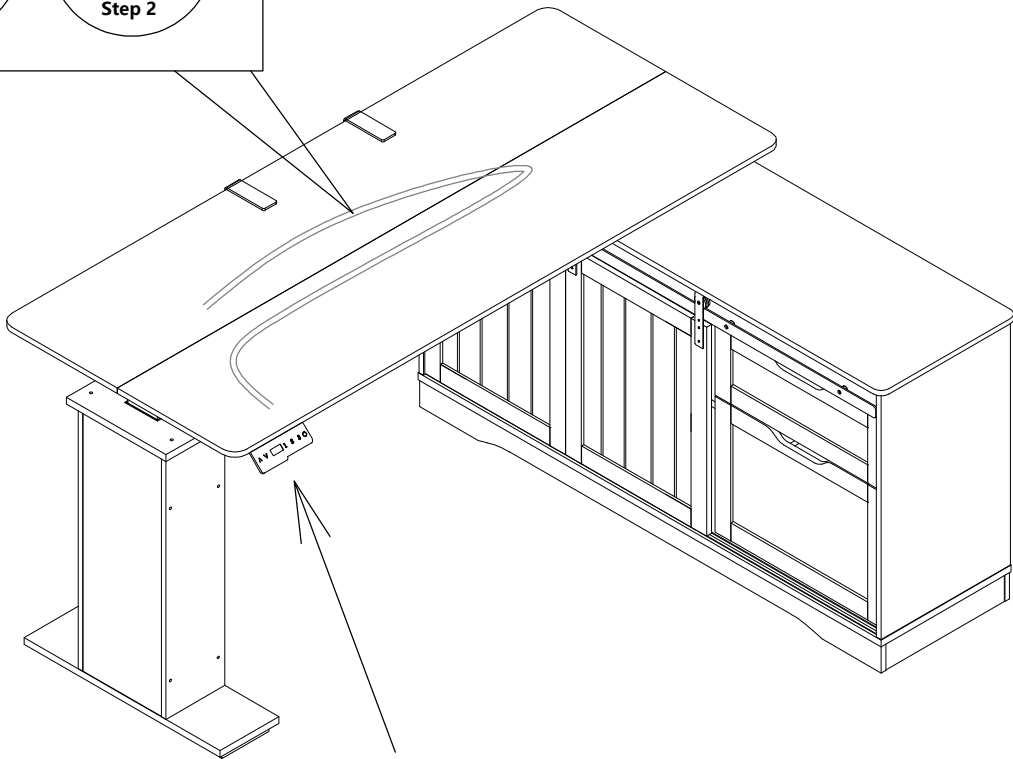
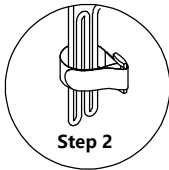
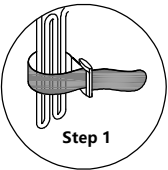


1 PCS

CC Ø22x1



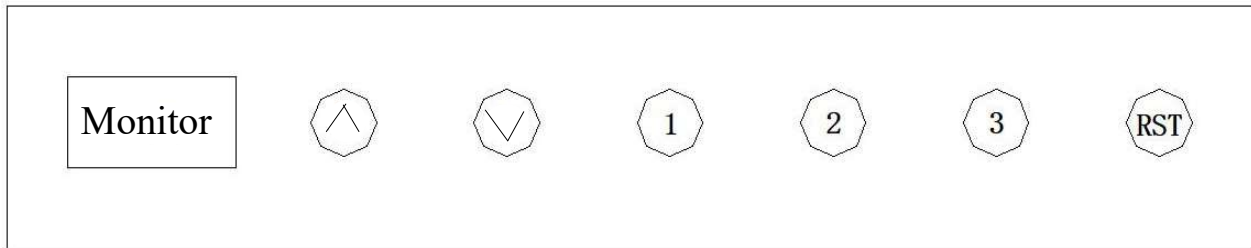
20 PCS



Please refer to the detailed instruction manual for specific details.

Motor Lift Table Instruction Manual

Hand controller interface introduction



- ◆ monitor
- ◆ UP: up key
- ◆ DOWN: down key
- ◆ 1: (save key) 1
- ◆ 2: (save key) 2
- ◆ 3: (save key) 3
- ◆ RST: reset

Up and down key operation

- ◆ When the "up" key is pressed, desktop run up, until the top of the table is reached
- ◆ When the "Down" key is pressed, desktop run down, until the lowest point of the table is reached
- ◆ When short press the "up" or "down" key, The desktop runs a small distance accordingly, Realize jog)

location storage/memory position operation

◆ location storage:Can store 3 memory points,The storage method is as follows,when running to a certain point,At this time, long press the "1 / 2 / 3" button,until the digital number flashes,Save the current altitude to the corresponding label successfully.

◆ memory position operation:Short press "1 / 2 / 3" key,Digital tube flashing memory position height 2S,The desktop automatically runs to the height of the memory position,running,Any key can stop the operation.

Zero position reset

◆ **After the installation is completed, if the displayed height does not match the actual height, you can perform the following operations.**

◆ Long press "RST" for 3S and wait for the controller running indicator to flash "- -",Then release the down button to enter the reset mode,The desktop automatically runs down and then up to find the highest and lowest positions,After the end, the desktop will automatically run down to a fixed position,end of reset process.

automatic testing(Do not proactively disclose to end users)

◆ The system supports automatic operation,Run time is fixed at 2 minutes,The stop time is determined by the e parameter,Infinite loop。(Please refer to the internal parameter setting and description for stop time。

◆ Enter: Press and hold the "Up" + "Down" + "RST" buttons at the same time for 5 seconds, Nixie tube shows Aot,Indicates automatic test mode.

◆ Quit:Press and hold the "Up" + "Down" + "RST" buttons at the same time for 5 seconds,Digital tube display height,Indicates to exit the automatic test mode.

Minimum limit setting

◆The system supports the minimum height of the desktop. The operation method is, Let the desktop run to the position you want to set, Press and hold the "RST" + "Down" buttons at the same time for 5 seconds, Displaying "-d o" indicates that the lowest position is successfully stored, when running to the lowest point, Display shows "-L o".

◆Cancel storage height, method 1: Mechanical zero reset, The system automatically cancels
Method 2: Let the desktop run to the lowest point, Display shows "-L o", Press and hold the "RST" + "Down" buttons at the same time for 5 seconds, "--d o" indicates successful cancellation.

Maximum limit setting

◆The system supports the maximum height of the desktop. The operation method is, Let the desktop run to the position you want to set, Press and hold the "RST" + "Up" buttons at the same time for 5 seconds, - u p indicates that the highest position is successfully stored. when running to a high point, Display shows "-HI"

◆Cancel storage height method 1: Mechanical zero reset, The system automatically cancels
Method 2: Let the desktop run to the highest point, Display shows "-HI"; Press and hold the "RST" + "Up" buttons at the same time for 5 seconds, "--up" indicates successful cancellation.

lock and unlock

◆locking:Press and hold "1" + "2" simultaneously for 5 seconds, when the digital tube displays "L",At this point, the system is locked. Unable to lift and lower the system.

◆Unlock: Press and hold "1" + "2" simultaneously for 5 seconds, When the digital tube displays from "L" to normal digital display, Indicates that the system has been unlocked.

Stand and sit reminder (countdown)

◆countdown time: 3 gears available, T30 = 30 minutes, T45 = 45 minutes, T60 = 60 minutes.

◆ Start the countdown:Short press "RST", the display will display T30/T45/T60 in sequence, Countdown time starts.

◆Exit countdown:1. Short press "RST", The display shows numbers;
2. The countdown time is up,The display will flash chr,Flashing time is 1 minute,Press any key to stop timing and exit.
3. 3. No operation,It will automatically exit the timer after 3 consecutive reminders at an interval of 5 minutes.

Restore factory default parameters

◆method:Press and hold "1" + "3" at the same time for 5 seconds,, The digital tube displays "C L r",At this point, it indicates that the parameter recovery is successful.

Internal parameter settings and descriptions

◆Press and hold the "RST+1" button on the hand controller for 10 seconds, You can enter the setting interface,Displays "x-y" while "x" flashes,Where "x" is the parameter group,The parameter value corresponding to "y".At this time, press "RST" to switch the parameter group,Press "Up" or "Down" to correspond to the value of the parameter.After setting the parameters, press and hold the "RST" key for 10 seconds,Return to the running interface,The set parameters are as follows:

Display content	Number range	Setting parameters	illustrate
a-y	0-1	Display format	0 means metric display, 1 means inch display;
b-y	1-2	Number of pole pairs	1 means 1 pair of NS, 2 means 2 pair of NS;
c-y	1-9	Lifting speed	9 files, The smaller the number, the faster the speed. On the contrary, the slower the speed;
d-y	1-9	Anti-pinch value	0 means off, 1 is the lowest sensitivity, 9 is the highest sensitivity
e-y	1-9	Self-test stop time	The setting value multiplied by 2 is the stop time. For example, setting 2, Then the stop time is 4 minutes
H00	40-99	Base height	Indicates the minimum display height-Table lowered to lowest display height
n00	30-99	table itinerary	The height at which the table can be raised and lowered, The length that the table column can extend, This value determines the maximum height of the table, The highest height display is h00+n00;
L00	3-40	Screw lead	Indicates the lead - one turn of the screw, the raised height of the table, The lead parameters must be accurate, Otherwise, the table itinerary will be inaccurate.
F-y	0-1	Motor direction	0/1 Change motor direction
r-y	0-4	Screen off control	0, do not turn off the screen, 1, turn off the screen.

Error code table

error code	illustrate	How to handle
E01	motor not connected	Press the up or down button again, still exists, Please check the column motor connection line
E02	Motor overcurrent	Press the up or down button again, still exists, Please replace the motor or reduce the load
E03	Motor Hall fault	Press the up or down button again, still exists, Check connections or replace motor
E04	Abnormal main power	Cannot be eliminated after power failure, Replace the power supply
E05	Abnormal motor current	It cannot be eliminated after power failure and needs to be returned to the factory
E06	The motor power device is broken	It cannot be eliminated after power failure and needs to be returned to the factory
E08	Over temperature protection	wait for the temperature to drop
E09	Motor stall	Press the up or down button again, still exists, Please replace the motor or reduce the load
RST	Illegal power down	Reduce the load or check for loose power cables