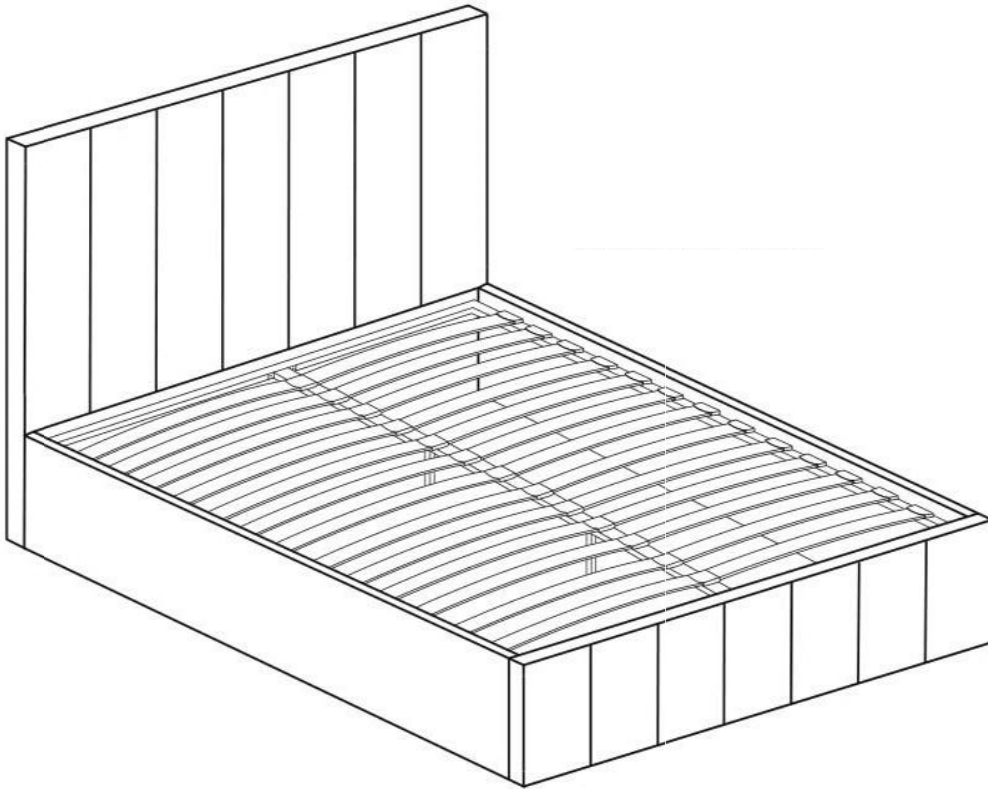


# ASSEMBLY INSTRUCTIONS



## IMPORTANT PLEASE READ BEFORE YOU CONTINUE FURTHER

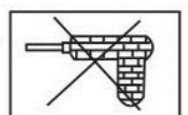
THE PRODUCT YOU HAVE PURCHASED WILL GIVE YOU MANY YEARS OF SERVICE IF YOU FOLLOW THE GUIDELINES FOR ITS SAFE ASSEMBLY AND PERIODIC MAINTENANCE AND CLEANING

DO NOT FOR ANY REASON USE A POWER TOOL TO ASSEMBLE THIS PRODUCT. ITS USE WILL INVALIDATE ANY CLAIM YOU MAY HAVE AND COULD MAKE THIS PRODUCT UNSAFE.











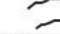


DEPENDING ON THE AMOUNT OF USE THIS PRODUCT RECEIVES MAY BE NECESSARY TO TIGHTEN UP THE FIXINGS FROM TIME TO TIME. THIS IS COMPLETELY NORMAL FOR ANY FLAT PACK FURNITURE

FOR CLEANING USE A DAMP CLOTH (NOT WET) OR DRY DUSTER.

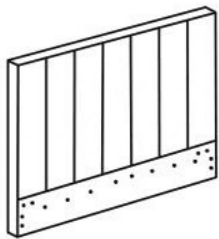
USE OF POWER TOOLS TO ASSEMBLE THIS PRODUCT WILL INVALIDATE ANY CLAIM AND MAY DAMAGE THIS PRODUCT MAKING IT UNSAFE.



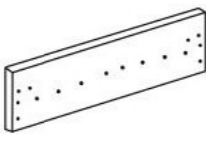
# HARDWARE LIST

REF		HARDWARE NAME	QTY
A		M8*25 BOLT	20PCS
B			12PCS
C		M8*40 BOLT	18PCS
D		SPRING WASHER	8 PCS
E		FLAT WASHER M8	38 PCS
F		NUT	14 PCS
G		ALLEN KEY	1 PC
H		OPEN SPANNER	1 PC
I			4 PCS
J		PROTECTIVE PAD	6 PCS
K		M6*10 BOLT	8 PCS
L		FLAT WASHER M6	8 PCS
M			2PCS
N			1 PC
O		PROTECTIVE PAD	1 PC
P		M8*35 BOLT	4 PCS

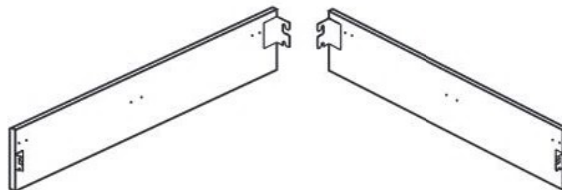
# PART LIST



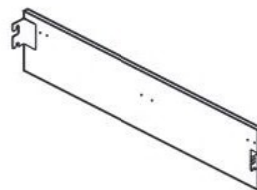
(1) X1PC



(2) X1PC



(3) X1PC



(4) X1PC



(5) X24PCS



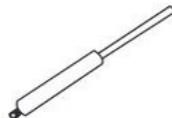
(6) X 24PCS



(7) X 12PCS



(8) X2PCS



(9) X 2PCS



(10) X 2PCS



(11) X1PC



(12) X1PC



(13) X 2PCS



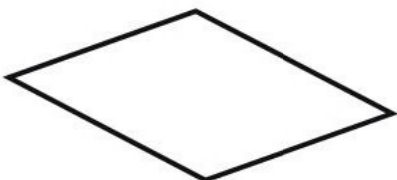
(14) X 2PCS



(15) X 1PC

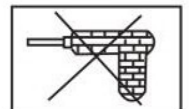


(16) X 1PC

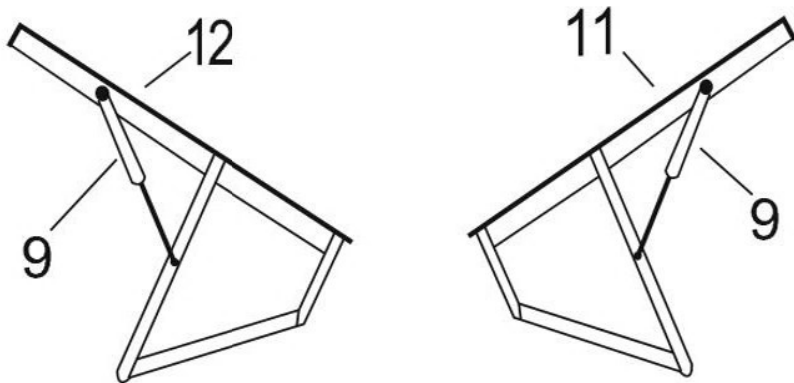


(17) X 1PC

USE OF POWER TOOLS TO ASSEMBLE THIS PRODUCT WILL INVALIDATE ANY CLAIM AND MAY DAMAGE THIS PRODUCT MAKING IT UNSAFE.

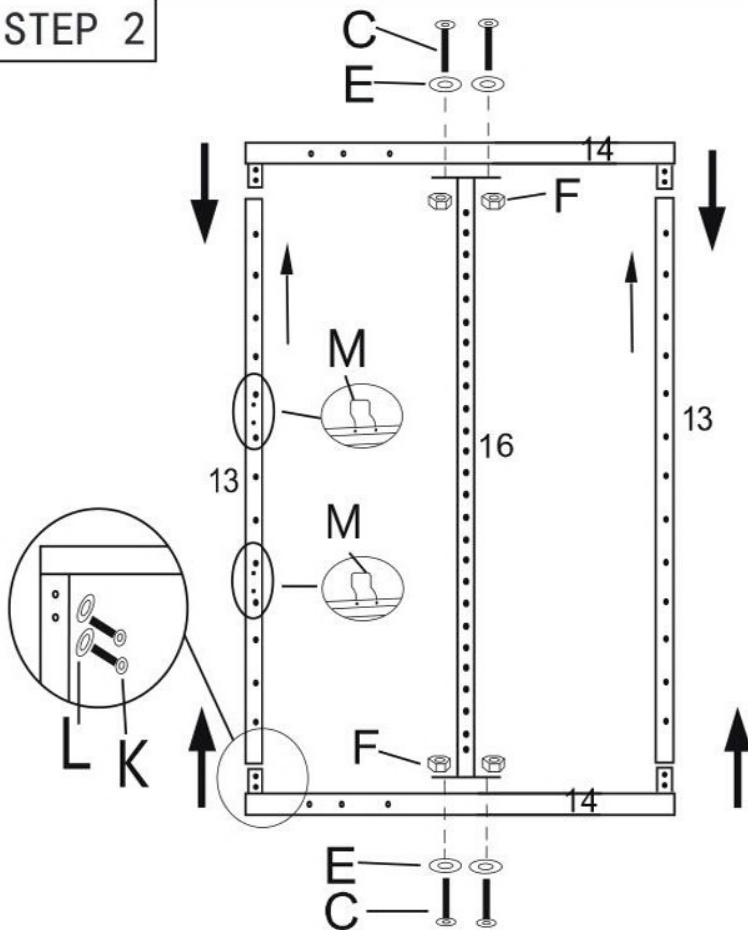


STEP 1



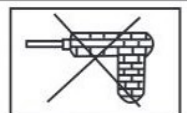
Assemble the metal bar 9 to the gas lifting frame 11 and 12

STEP 2

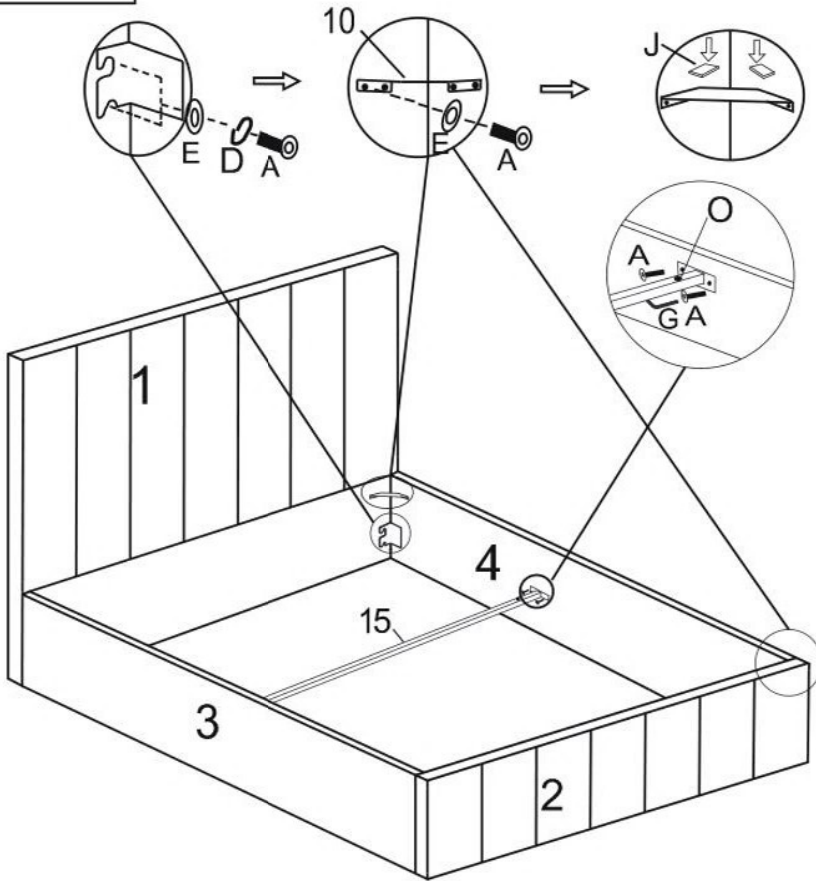


1. Assemble part 14 to part 13, use the bolt K and flat washer L
2. Assemble part 14 to part 16, use the bolt C and flat washer E, nut F
3. Put two Part M on the siderails 13

USE OF POWER TOOLS TO ASSEMBLE THIS PRODUCT WILL INVALIDATE ANY CLAIM AND MAY DAMAGE THIS PRODUCT MAKING IT UNSAFE.



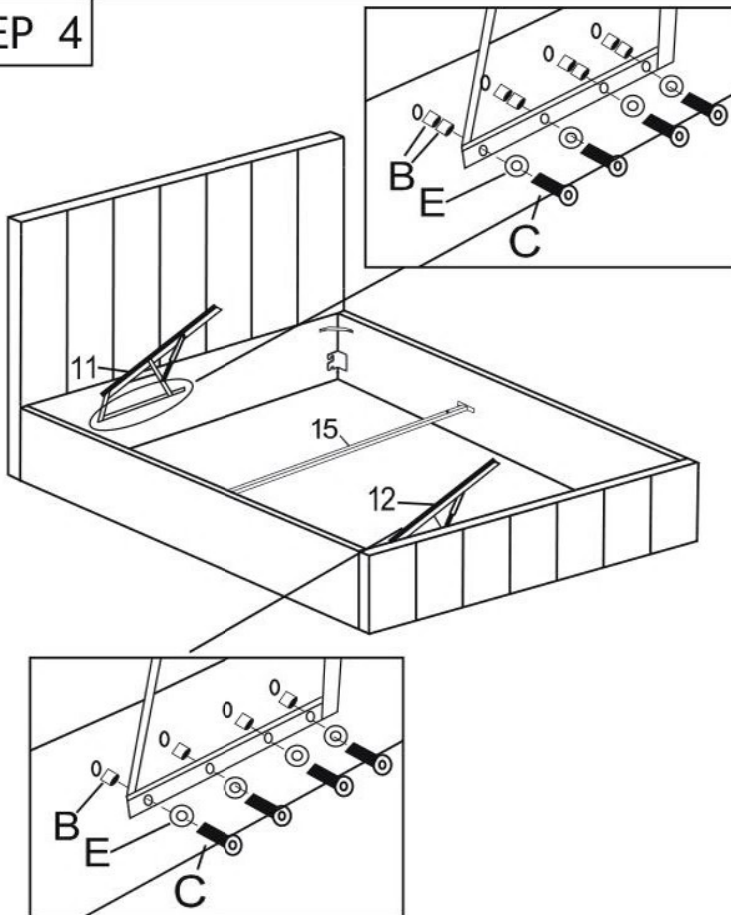
### STEP 3



1. Assemble siderail 3, 4 to headboard 1: use the Bolt A , spring washer D and flat washer E
2. Assemble the part 10 , use bolt A and flat washer E; then stick the protective pad J on the part 10 surface to avoid the direct contact with the gas lifting frame.
3. Assemble part 15 to 3 and 4, used allen key G to turn the bolt A. On part 15 surface use the protective O to avoid direct contact ,

Remark: The use of parts J & O (protective pads) helps minimise the sound when opening/closing the gas lift.

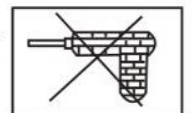
### STEP 4



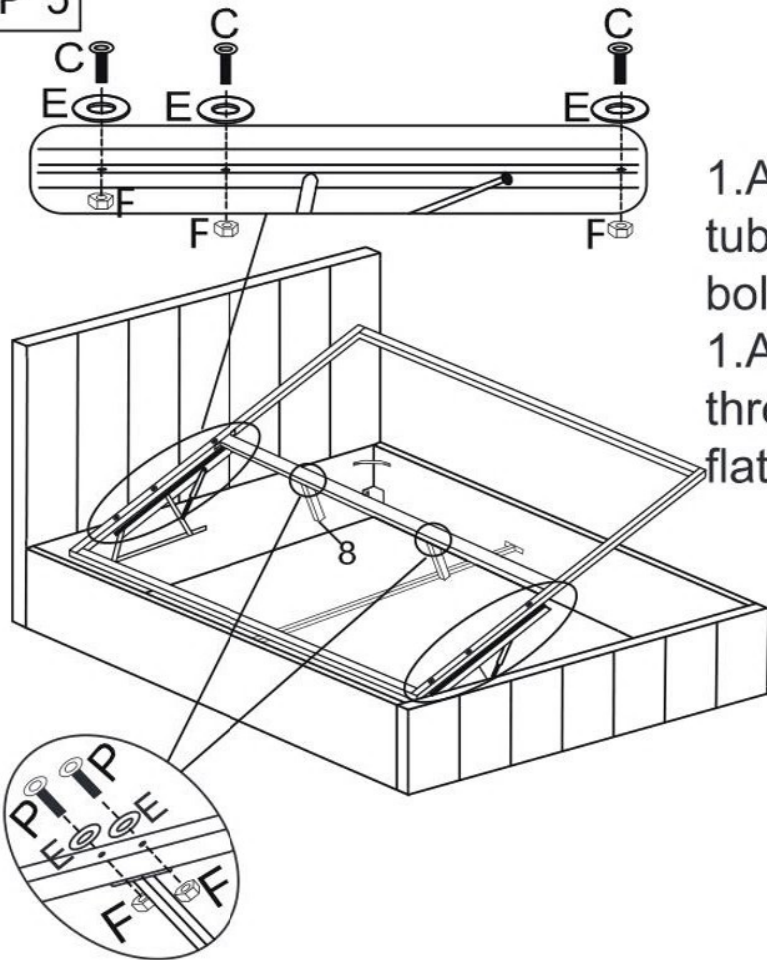
1 :Assemble gas lifting 11 to headboard , use the bolt C , flat washer E and two Black shaft B.

2:Assemble gas lifting 12 to footboard , use the bolt C , flat washer E and one Black shaft B.

USE OF POWER TOOLS TO ASSEMBLE THIS PRODUCT WILL INVALIDATE ANY CLAIM AND MAY DAMAGE THIS PRODUCT MAKING IT UNSAFE.

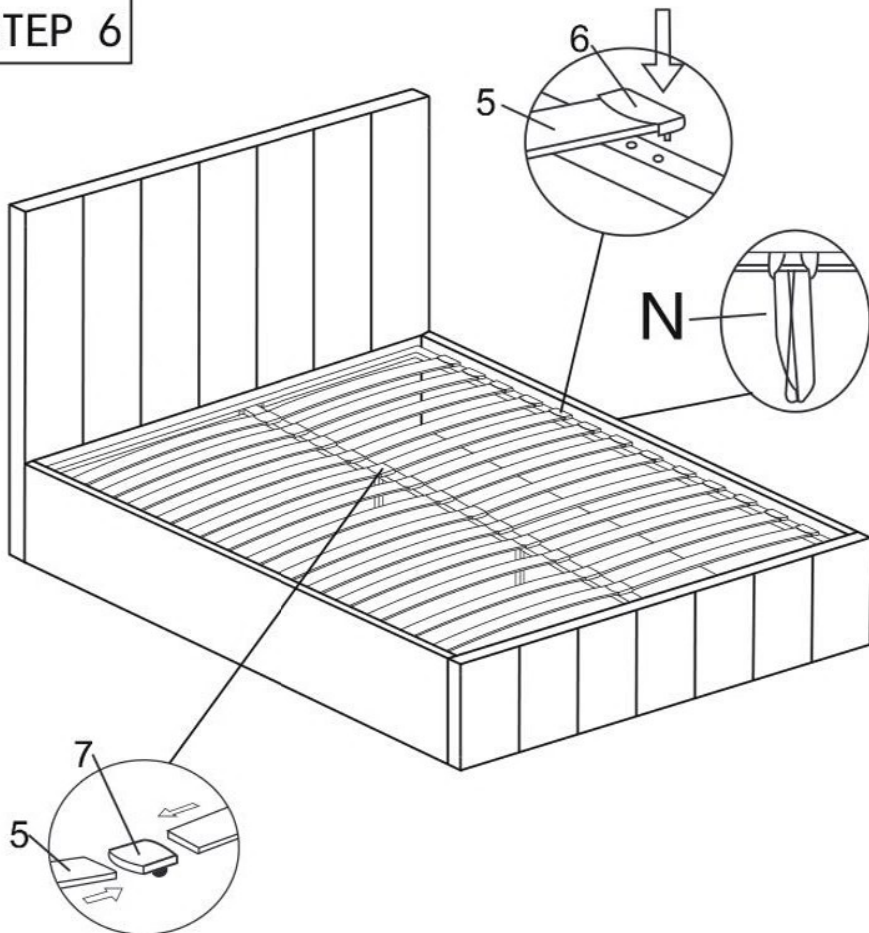


STEP 5



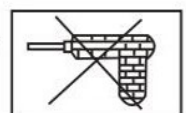
1. Assemble the headboard metal tube ,three holes section Use the bolt C,flat washer E and nut F .  
1. Assemble footboard metal tube , three holes use the bolts B, flat washer E and nut F.

STEP 6



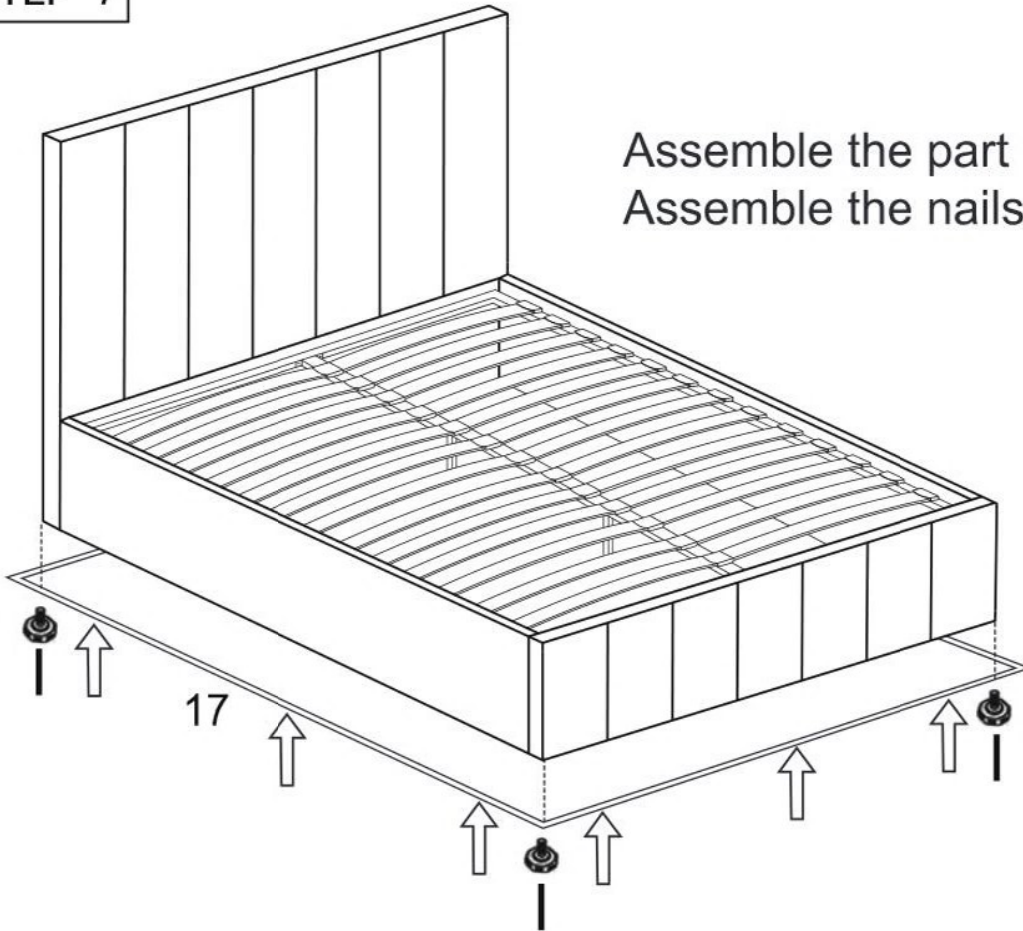
Assemble the wood slats 5 with plastic parts 6 and 7; then put the L on the siderail.

USE OF POWER TOOLS TO ASSEMBLE THIS PRODUCT WILL INVALIDATE ANY CLAIM AND MAY DAMAGE THIS PRODUCT MAKING IT UNSAFE.



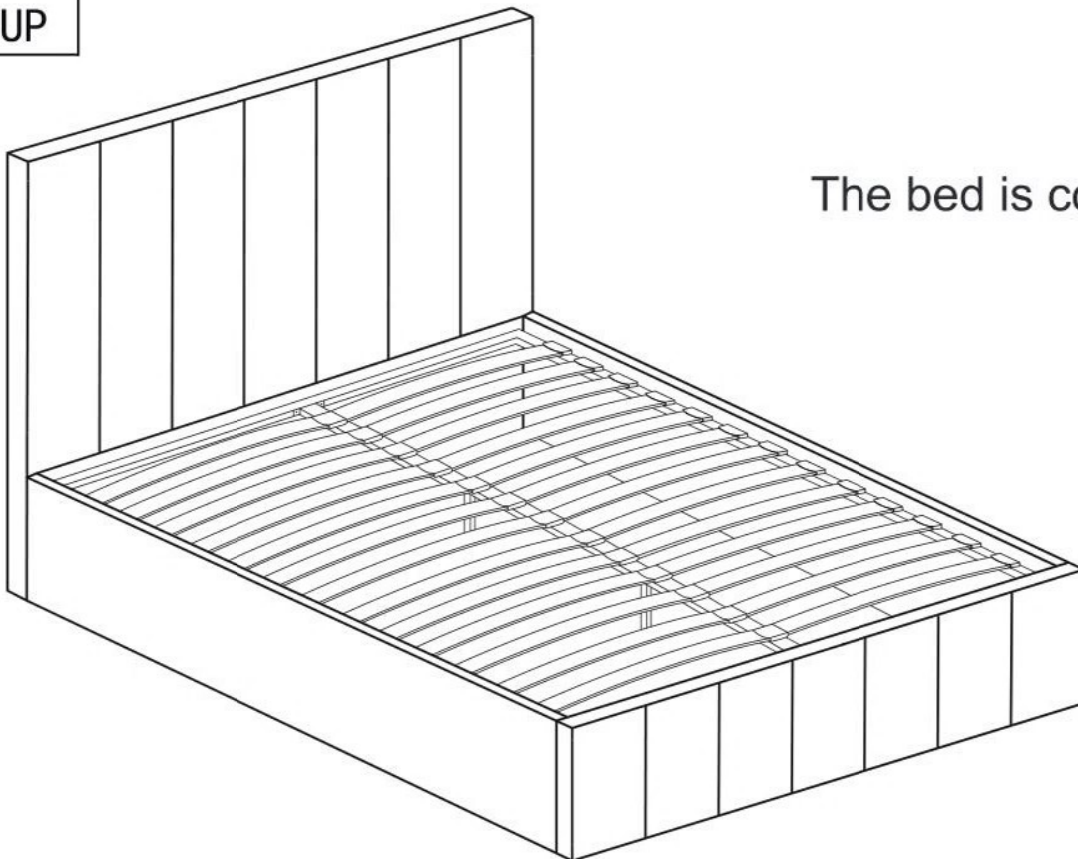
**STEP 7**

Assemble the part 17 to the bottom.  
Assemble the nails I to the beds



**FULLY  
SETUP**

The bed is complete



USE OF POWER TOOLS TO ASSEMBLE THIS PRODUCT WILL INVALIDATE ANY CLAIM AND MAY DAMAGE THIS PRODUCT MAKING IT UNSAFE.

