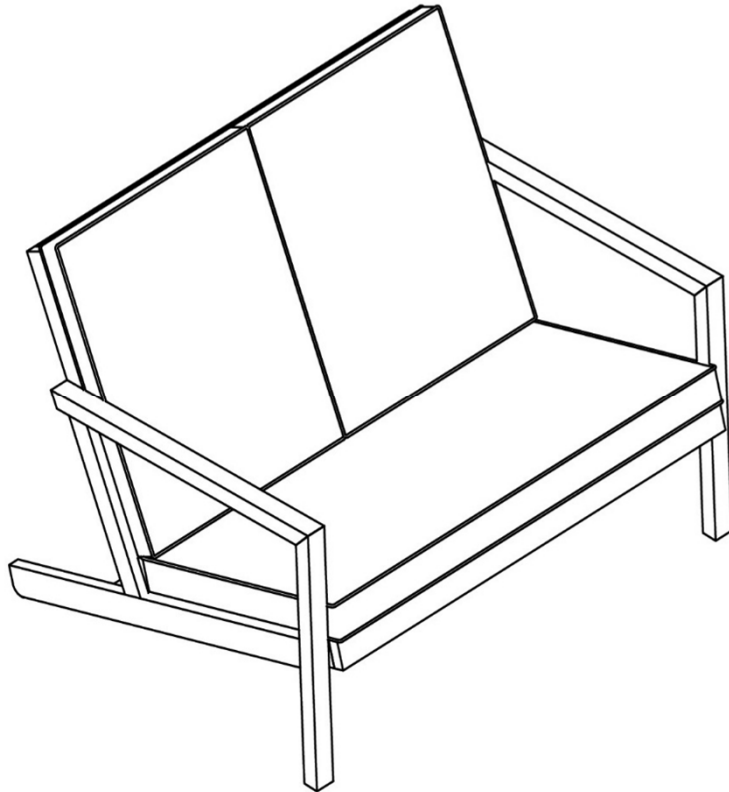


Assembly Instructions

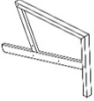
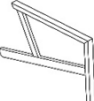

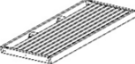
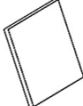
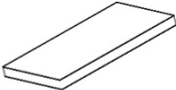
Caution: You must read this before you proceed

Loveseat






Note: This Loveseat is NOT a TOY.
Keep your child/children at bay during the assembly process.
The Loveseat is HEAVY.
To prevent injury to yourself or damage to the product a minimum of two adults are required whenever moving or lifting it.

Part List

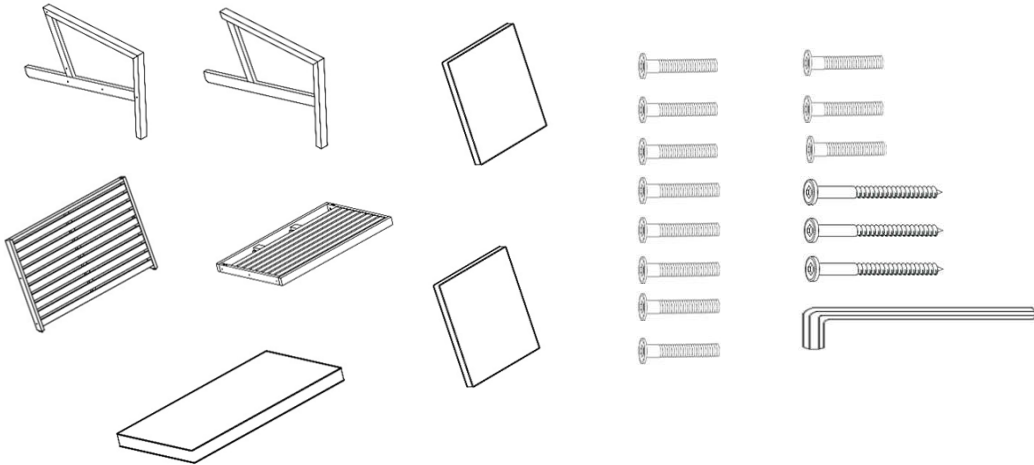
Label	Picture	Description	QTY
A		Right Arm Panel	1
B		Left Arm Panel	1
C		Backrest Panel	1
D		Seat Panel	1
E		Back Cushion	2
F		Seat Cushion	1






Hardware

Label	Picture	Description	QTY
①		Bolt (M6x35mm)	11
②		Screw (M6x80mm)	3
③		Allen Key	1

Assembly Preparation

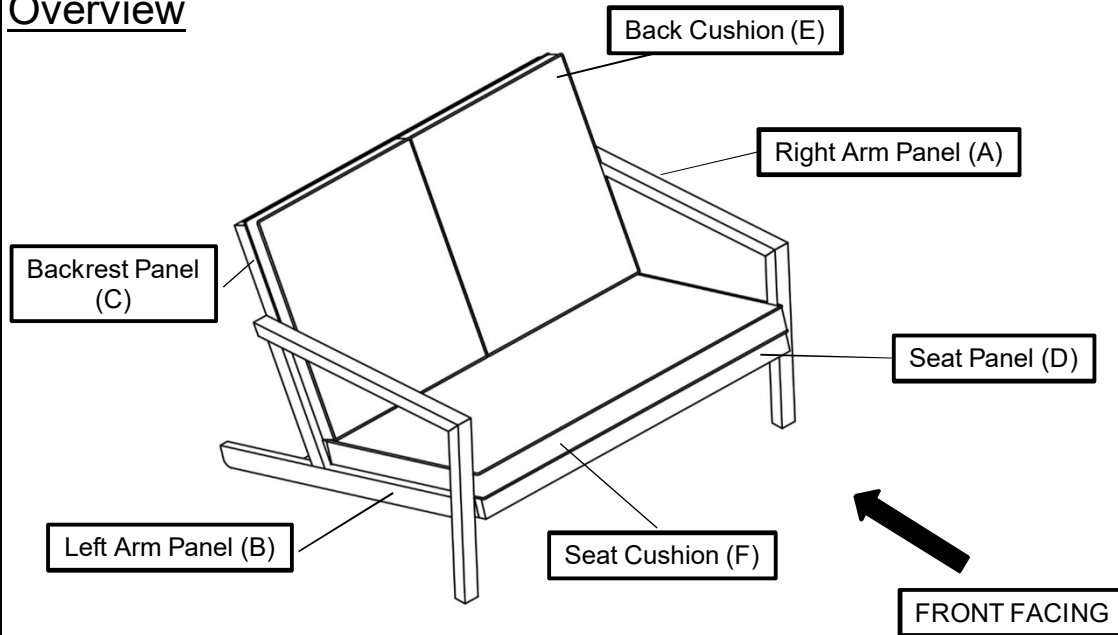
Before Beginning Assembly:



-  Read instructions, cover to cover.
-  Have 2 adults on hand for assembly.
-  Do not assemble on flooring or carpet.
-  Assemble on a clean non-marring surface (packing foam).
-  Save all packaging until finished.

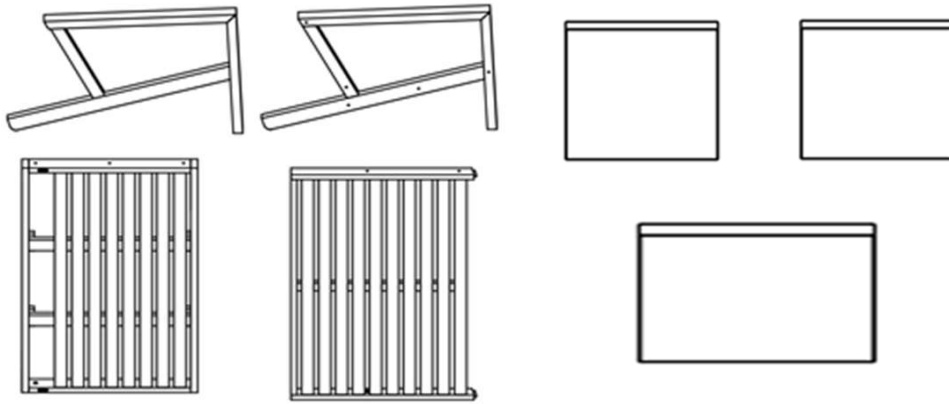
Assembly Steps

Overview



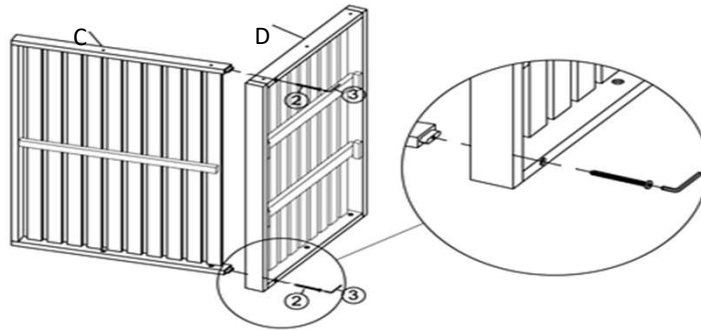
This Loveseat has multiple parts and may require up to 30 minutes to assemble. To give you an overview of the Loveseat parts, the above picture is to help you put the various parts into perspective. Please read through the instructions below to familiarise yourself with the parts and steps before assembly.

Step 1



Unpack and place all parts on a clean, non-marring surface.

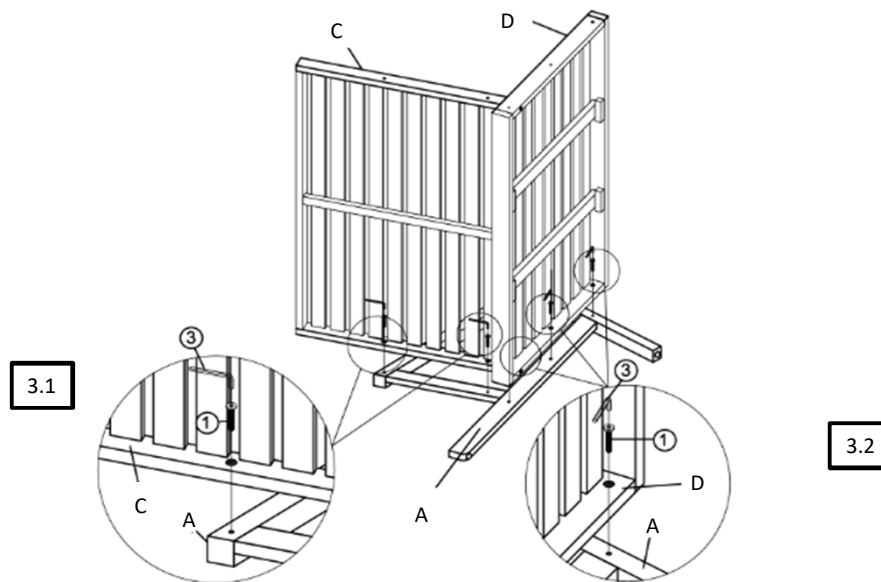
Step 2



With assistance from your adult partners, attach Backrest Panel(C) with Seat Panel(D) using Screws(2) with Allen Key(3).

Do not fully tighten the Screws.

Step 3

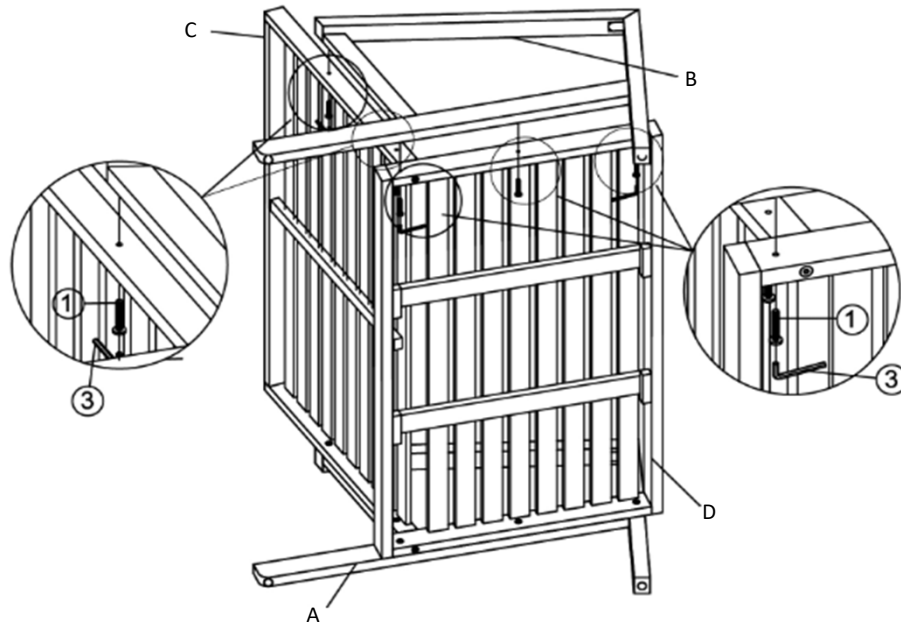


3.1) Attach Right Arm Panel(A) to Backrest Panel(C) using Bolts(1) with Allen Key(3).

3.2) Attach Right Arm Panel(A) to Seat Panel(D) using Bolts(1) with Allen Key(3).

Do not fully tighten the Bolts.

Step 4



Attach Left Armrest Panel(B) to Backrest Panel(C) using Bolts(①) with Allen Key(③). Attach Left Armrest Panel(B) to Seat Panel(D) using Bolts(①) with Allen Key(③).

Do not fully tighten the Bolts.

Step 5



With assistance from your adult partner, turn the Loveseat right side up. Inspect the Loveseat and make sure all parts are connected. Gently and gracefully, sit into to the Loveseat.

This would help to align all the parts at all the joint areas.

Then get off the Loveseat, and in a sequential manner, proceed to tighten all Bolts and Screws.

Then proceed to tighten all Bolts and Screws in a sequential manner.

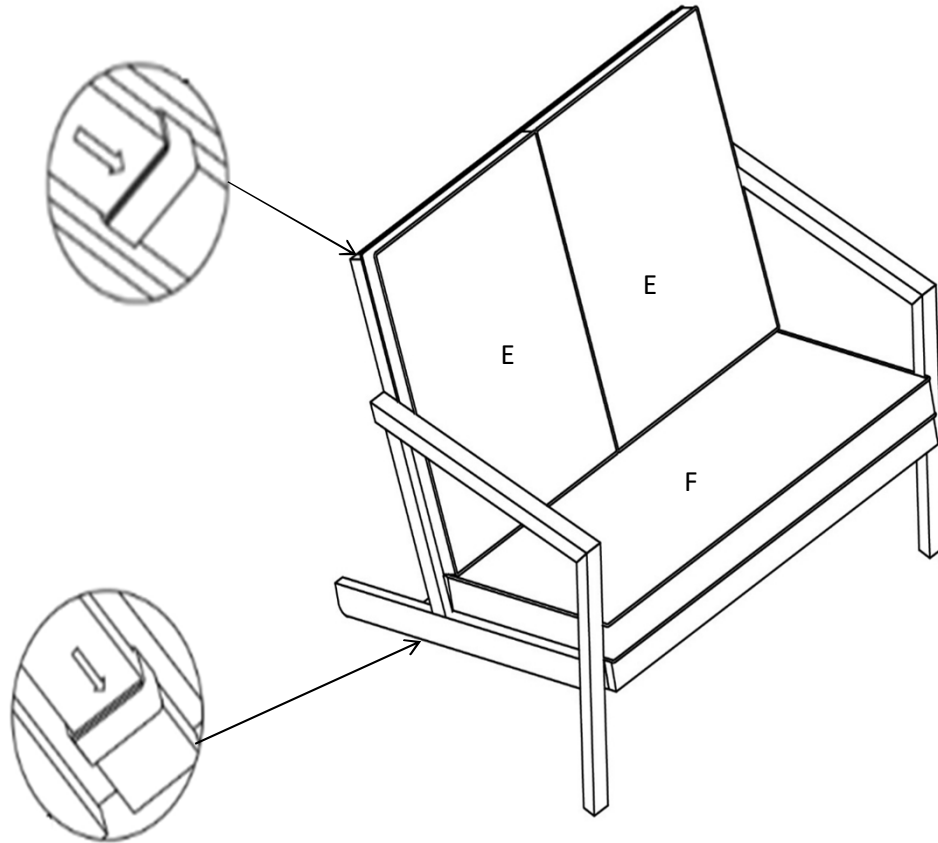
Whenever moving or lifting the Loveseat be sure to secure assistance from your adult partner(s).

When tightening the Bolts and Screws, tighten sequentially.

DO NOT tighten any Bolt or Screw fully and then move on towards the next one.

If there are still wobbles, loosen the Bolts and Screws and execute this same process.

Step 6












Inspect the Loveseat and make sure all parts are connected.
Place Seat Cushion(F) and Back Cushions(E) onto the Loveseat as shown in above picture.

Tie the velcro straps of Back Cushions(E) and Seat Cushion(F) to Backrest Panel(C) and Seat Panel(C) as pictured.

Your Loveseat is ready for use.

This Loveseat can only be used on a flat, level surface.

Care & Maintenance

-  ● Do not put hot items directly on furniture surface
 -  ● Do not clean furniture with harsh cleansers or polish.
 -  ● To obtain the longest lifespan of your outdoor products, minimizing exposure to direct sunlight is recommended.
 -  ● Children should not climb or jump on the furniture.
 -  ● Do not write on furniture without a padded barrier to protect the surface.
 -  ● To obtain the longest lifespan of your outdoor products, avoid extended and lengthy exposure to rain, snow, and direct sunshine. Whenever possible cover the product and /or place under patio or awnings.
 -  ● Not for commercial use. For residential use only .
 -  ● Stains may be removed with mild soap solution and damp cloth.
-
-  ● Dust and pick-up spills using a clean, non-colored, lint-free cloth .