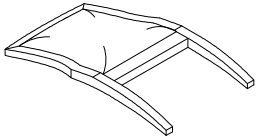


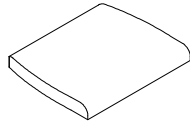
ASSEMBLY INSTRUCTION

SIDE CHAIR

A Chair Back **B** Cushion Seat **C** Front Leg-Left **D** Front Leg-Right **E** Allen Key 57mm*5mm



1 pc



1 pc



1 pc



1 pc



1 pc

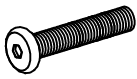
F Bolt $\Phi 5/16'' \times 3''$

G Bolt $\Phi 5/16'' \times 2-1/4''$

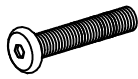
H Bolt $\Phi 5/16'' \times 1-1/2''$

I Lock Washer $\Phi 5/16'' \times 1/2''$

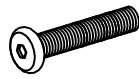
J Flat Washer $\Phi 5/16'' \times 3/4''$



4 pcs



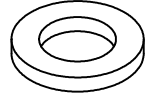
4 pcs



2 pcs

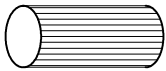


10 pcs

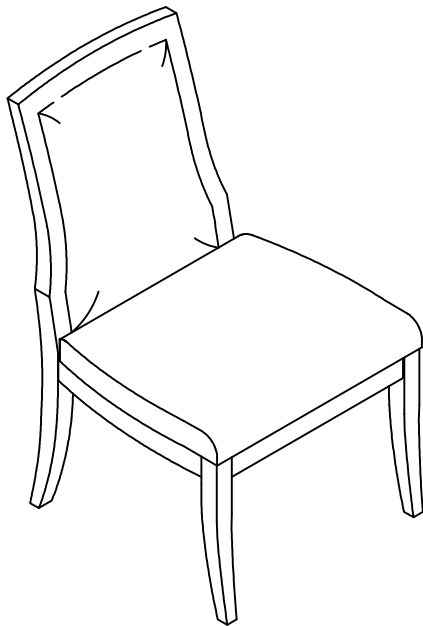


10 pcs

K Dowel $\Phi 10 \times 30\text{mm}$

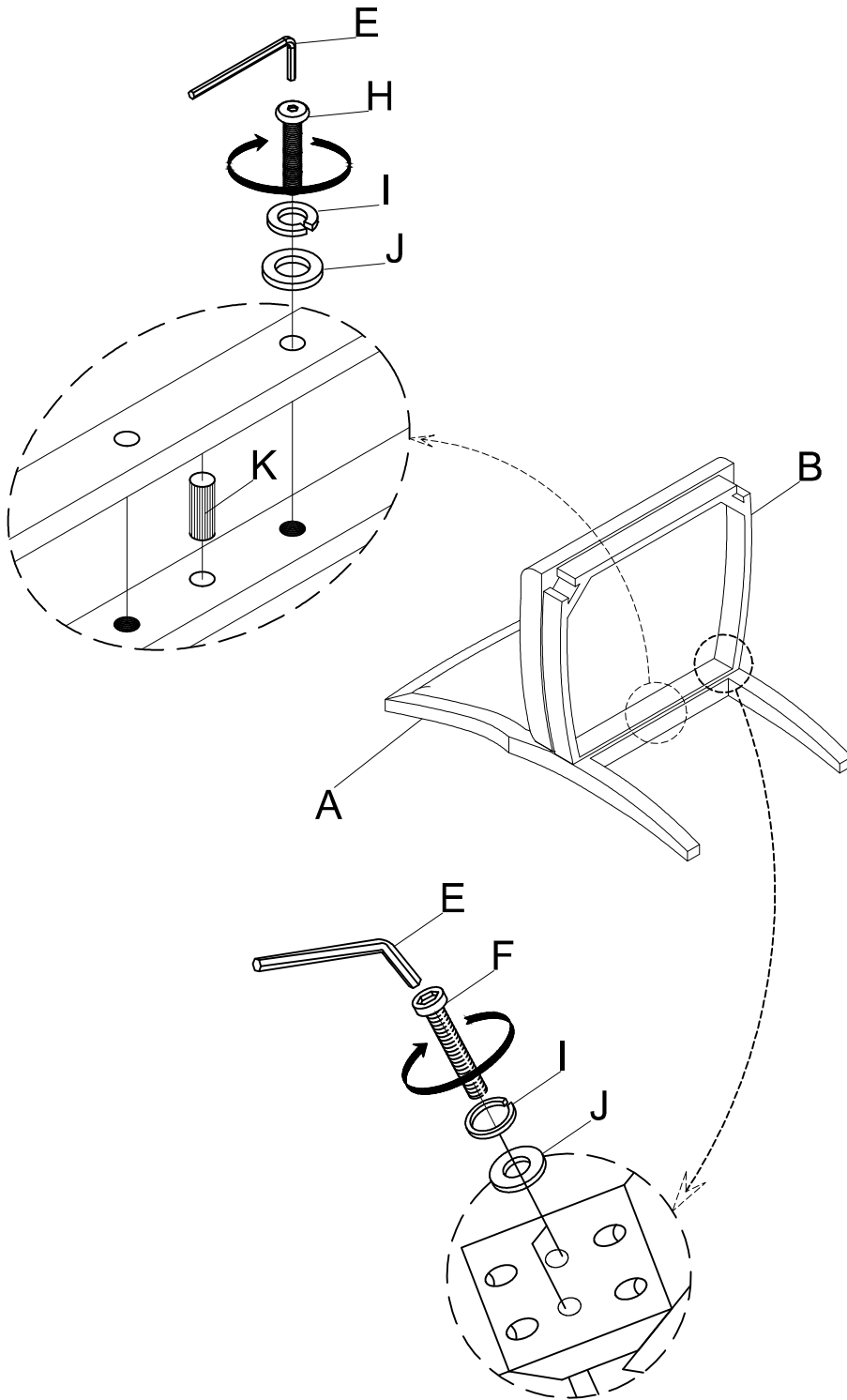


1 pc



This page lists all the contents included in the box. Please take the time to identify the hardware as well as the individual components to this product. As you unpack and prepare for assembly, place the contents on a carpeted or padded area to protect them from damage.

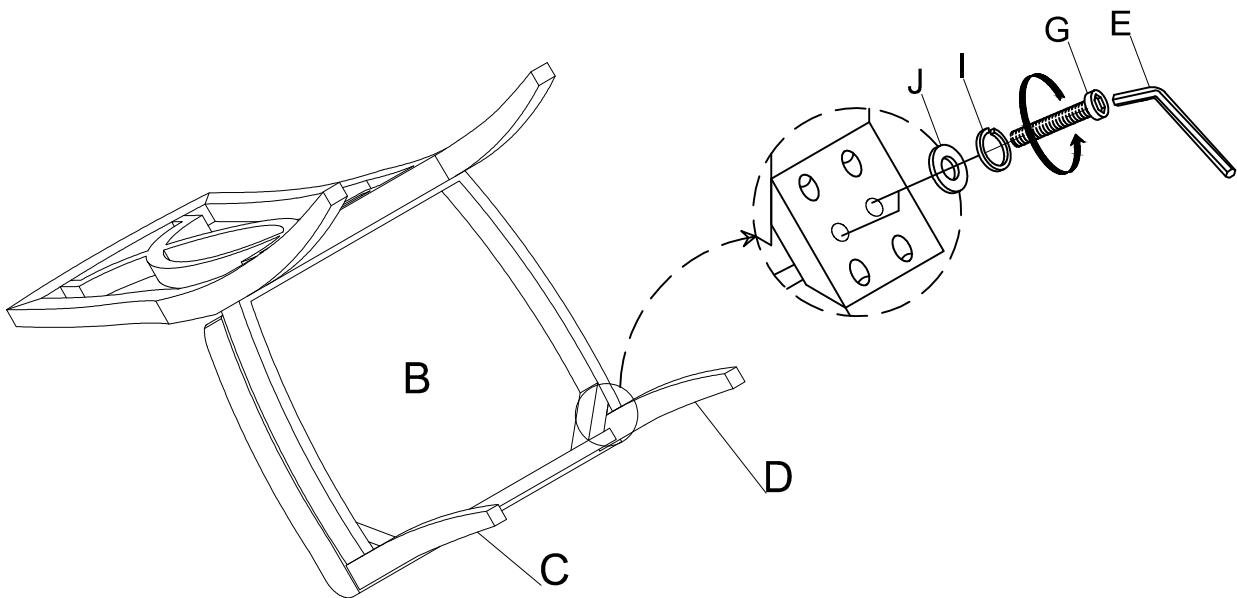
1 Place the Chair Back (A) upside down smooth carpet surface. Make sure Wood Dowel (K) insert the holes of Chair Back (A). Attach the Cushion Seat (B) to Chair Back (A) by Bolts (F), Lock Washers (I) and Flat Washers (J) with Allen Key (E). Tighten the Chair Back (A) and Cushion Seat (B) by Bolts (H), Lock Washers (I) and Flat Washers (J) with Allen Key (E).



Take the Allen Key, and turn the bolts until the legs are secure. **DO NOT TIGHTEN COMPLETELY.** Stop when you feel you are adding force to tighten the bolt.

2 Tighten the Cushion Seat (B) and Front Leg-Left (C) and Front Leg-Right (D) by Bolts (G), Lock Washers (I) and Flat Washer (J) with Allen Key (E).

Stand chair up on an even surface and check that it is balanced. If there is a slight wobble, apply downward pressure in the corner where a leg is uneven. Keeping pressure in that corner, tighten all bolts. If balanced, apply downward pressure evenly in the center and tighten all bolts. Do not over-tighten beyond hole depth.



Helpful Tip:

- Instead of applying downward pressure while reaching under to tighten bolts, have someone sit in the chair while you tighten the bolts.

Cleaning & Care

Treat surface with care. Surface is resistant to scratches but is not scratch resistant. Clean surfaces with a dry or damp soft cloth. Do not use abrasive cleaners. Hardware may loosen over time. Periodically check that all connections are tight.