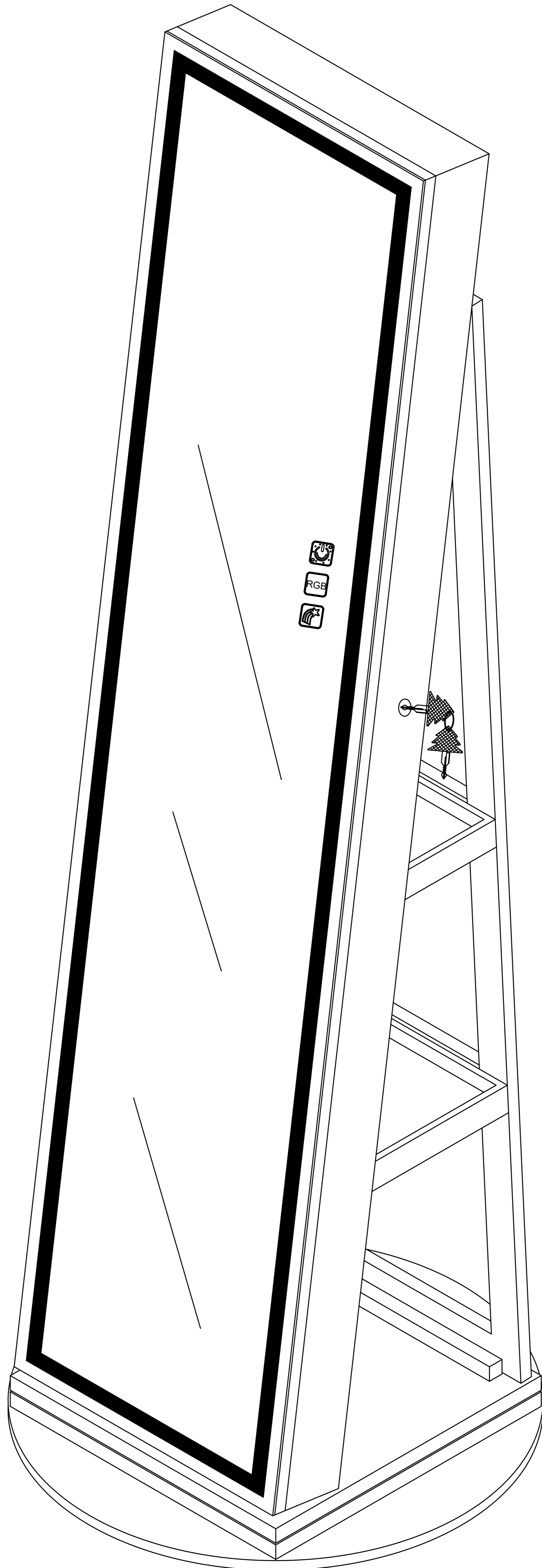
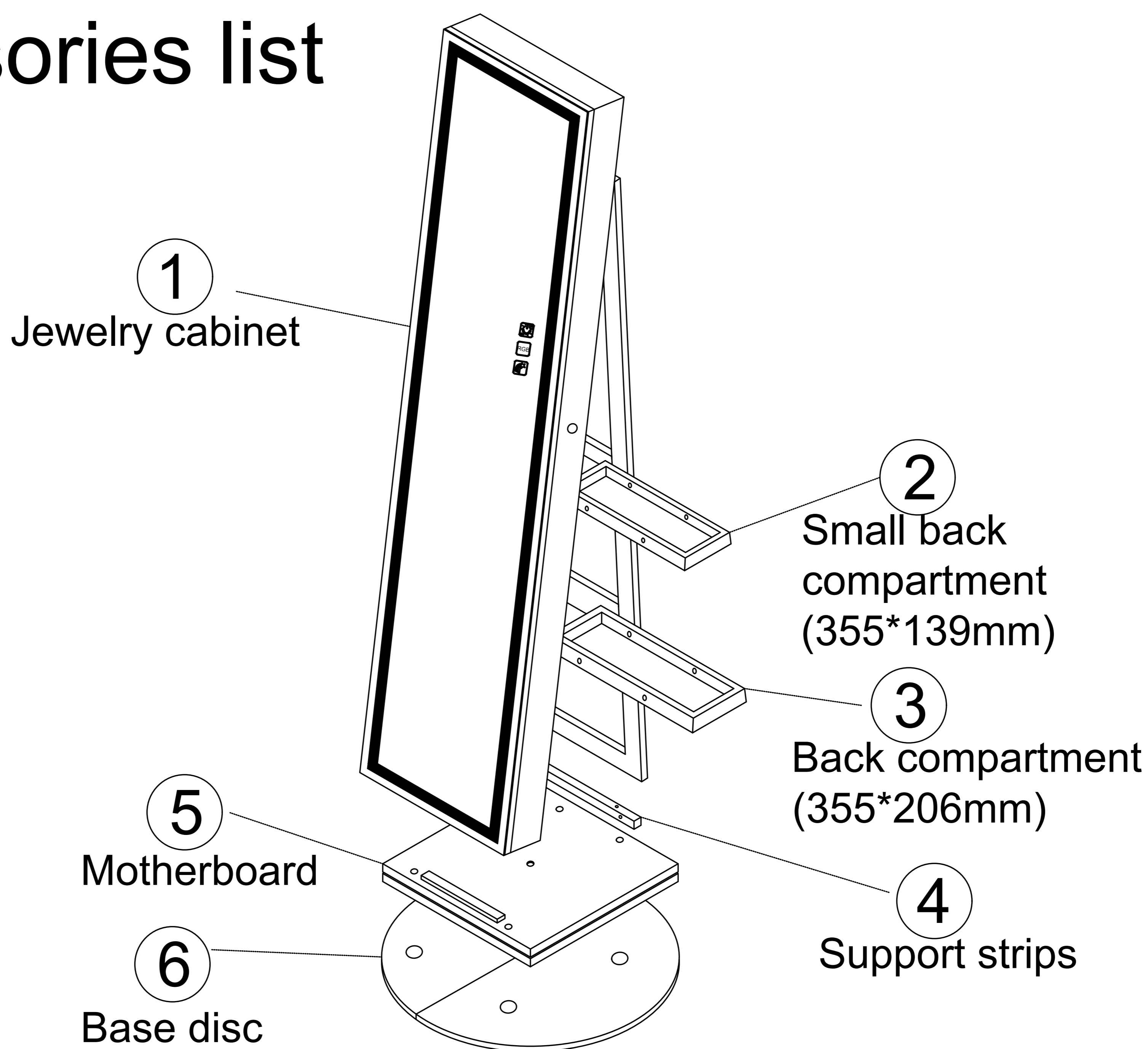


MIRROR JEWELRY CABINET

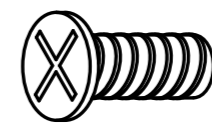



Accessories list



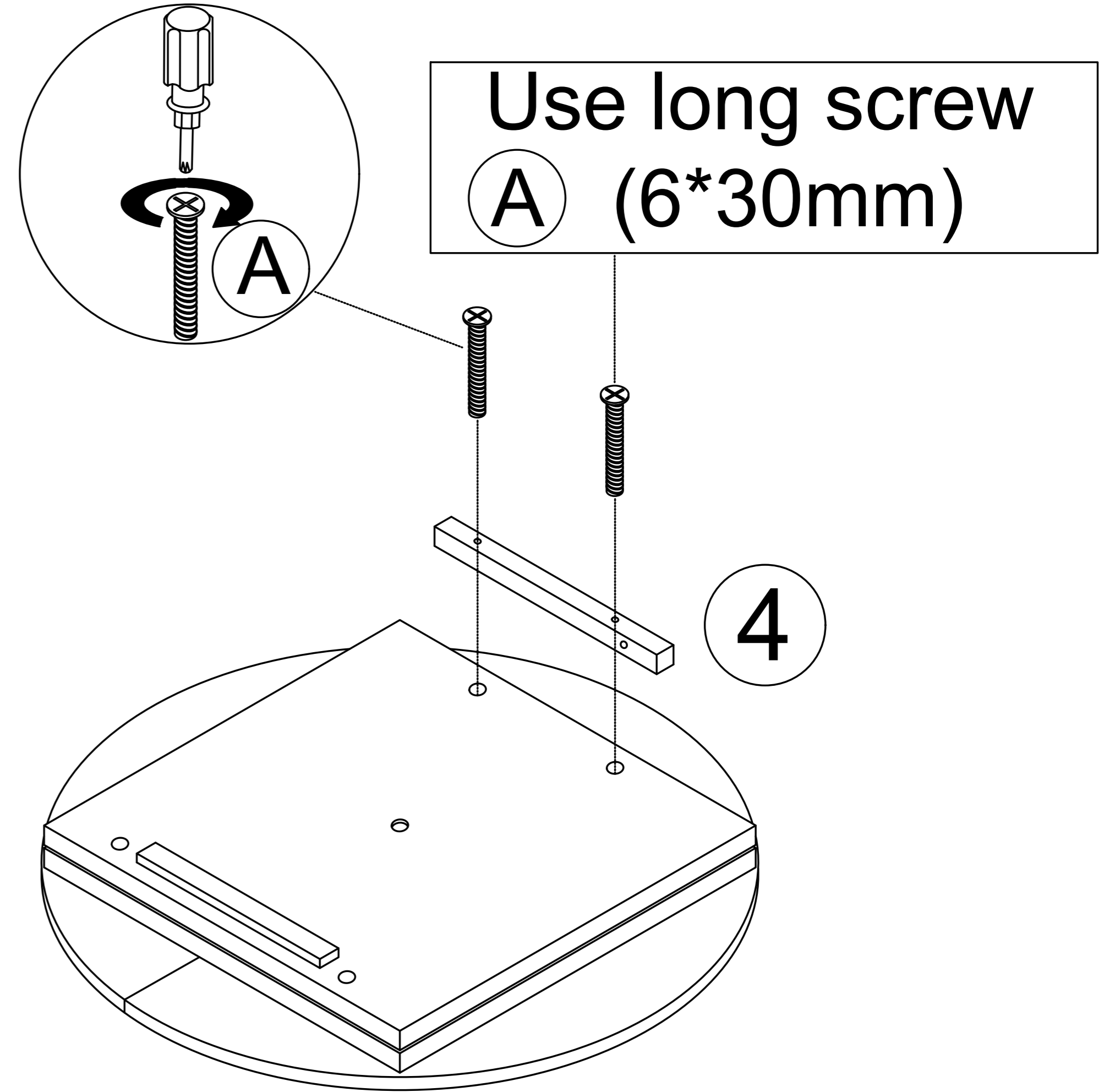
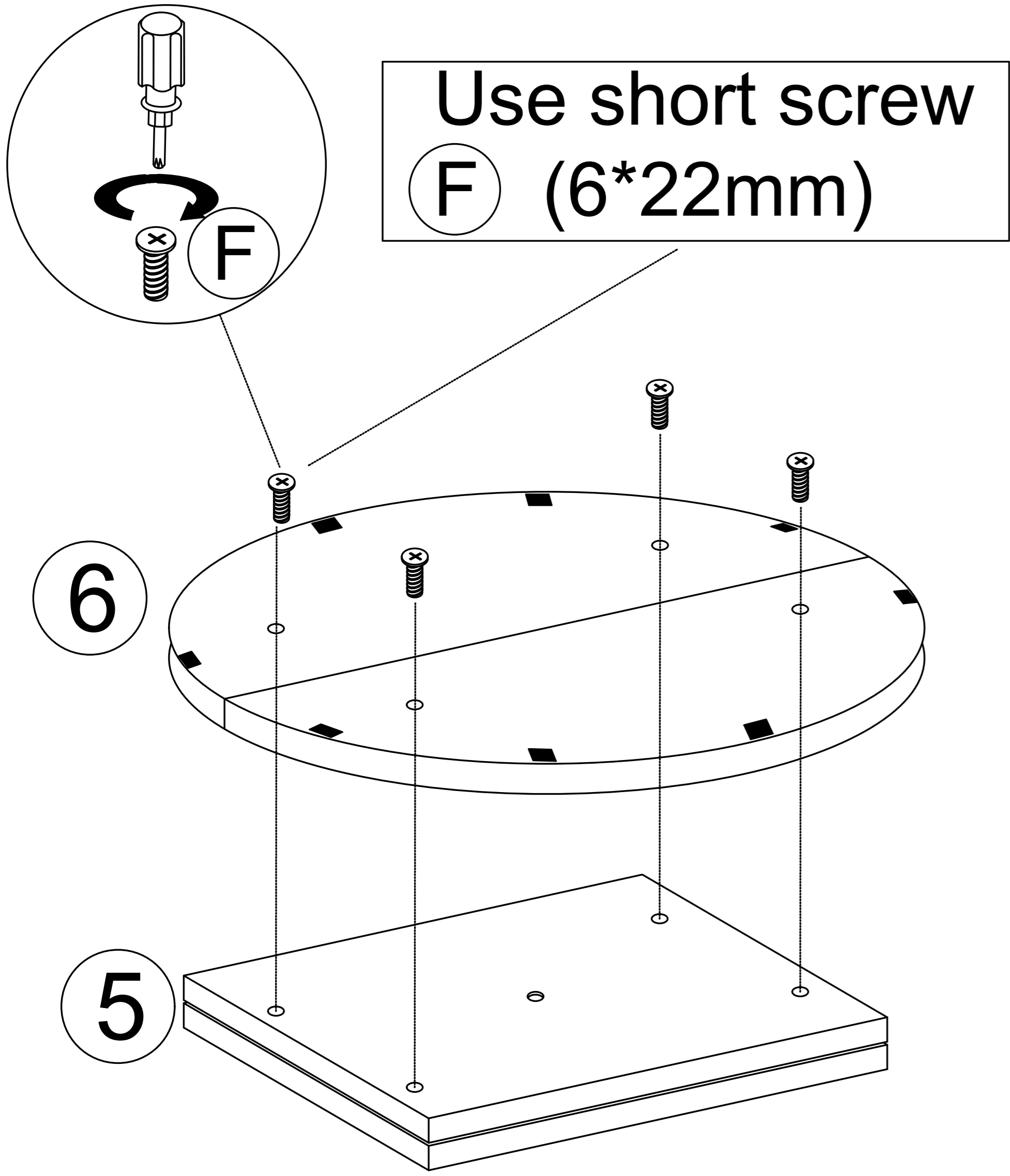
A		Long screw(6*30mm)	6 Pcs
B		The key	1 Pcs
C		Long cross screw assembly (5*20mm)	4 Pcs
D		Short cross screw assembly (5*8mm)	4 Pcs
E		Screwdriver	1 Pcs
F		Short screw(6*22mm)	4 Pcs
G		Self tapping wire(3x16mm)	1 Pcs
H		Colloidal granules/Self tapping wire(4x45mm)	1 Pcs
I		Anti-tip Prevention (290mm)	1 Pcs
		The power adapter(12V 3A)	1 Pcs
		Remote control	1 Pcs

Step 1


F	 (6*22mm)	x 4
A	 (6*30mm)	x 2

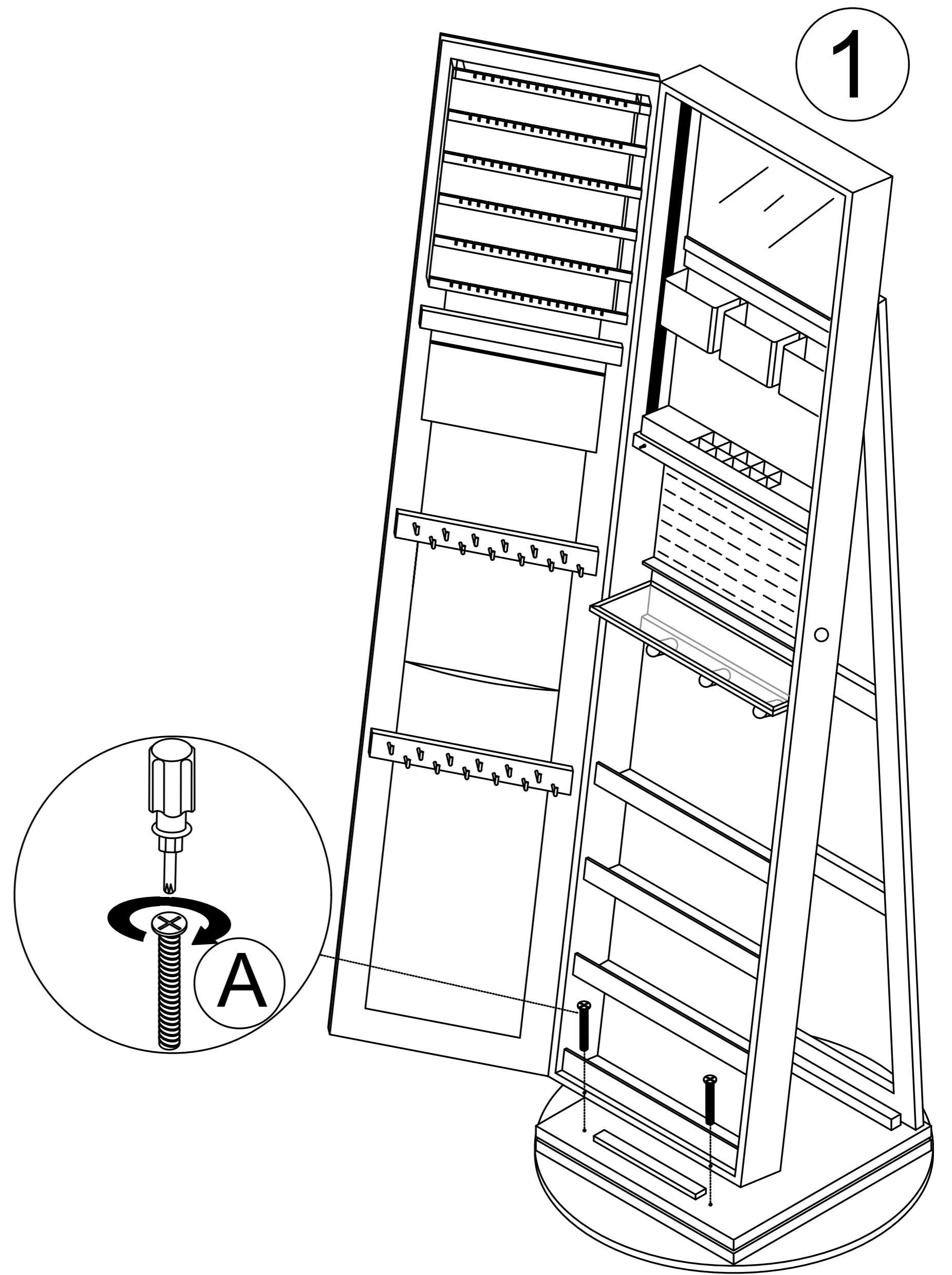
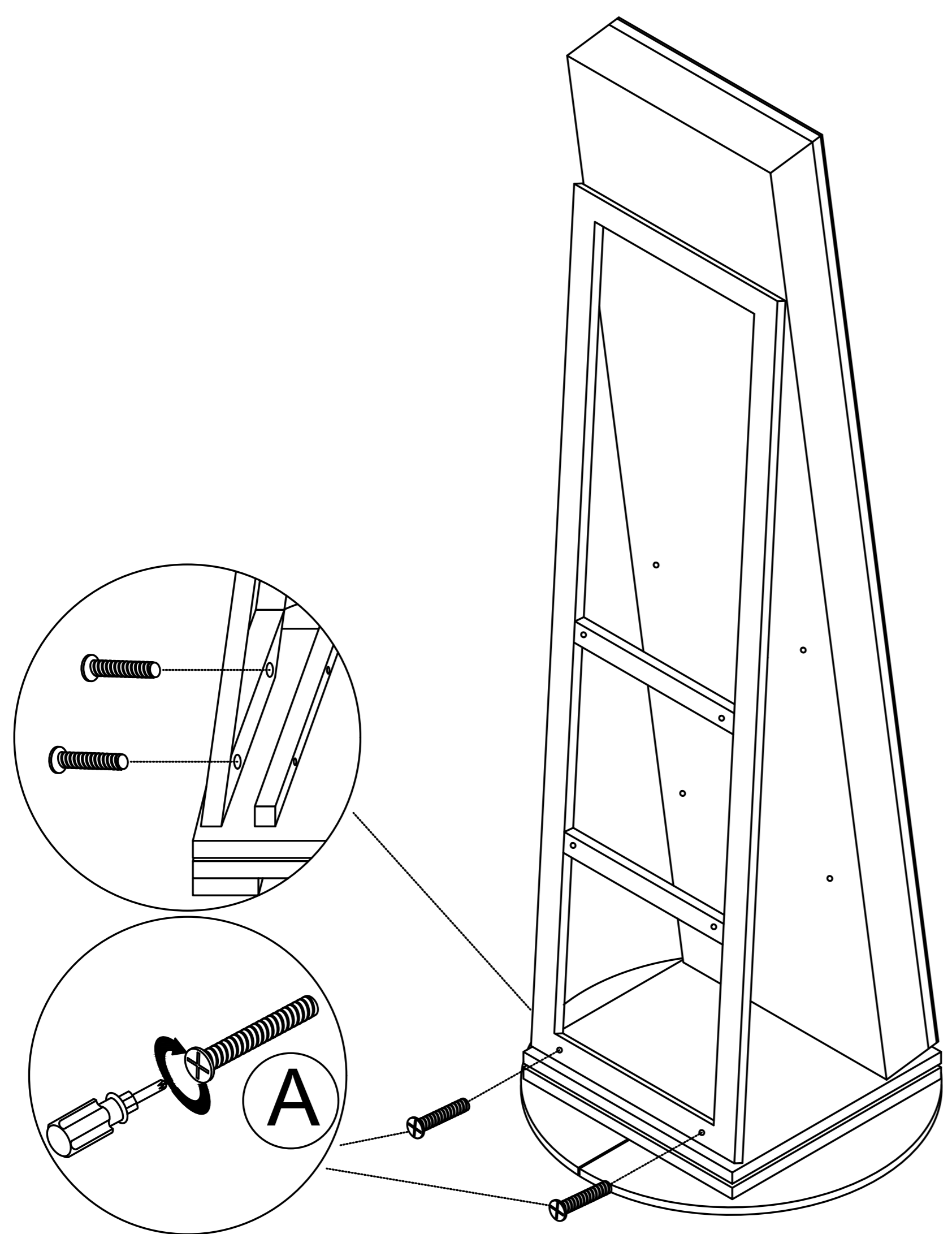
Use short screw
F (6*22mm)

Use long screw
A (6*30mm)

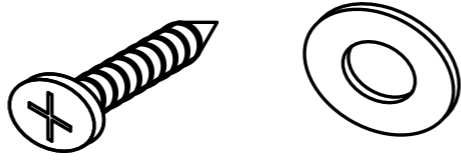
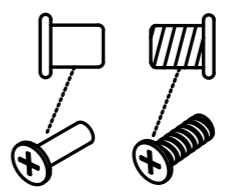
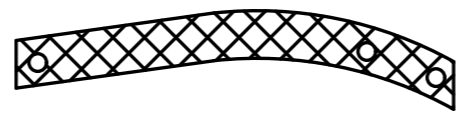
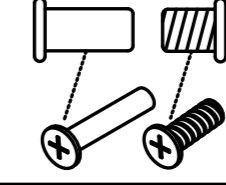


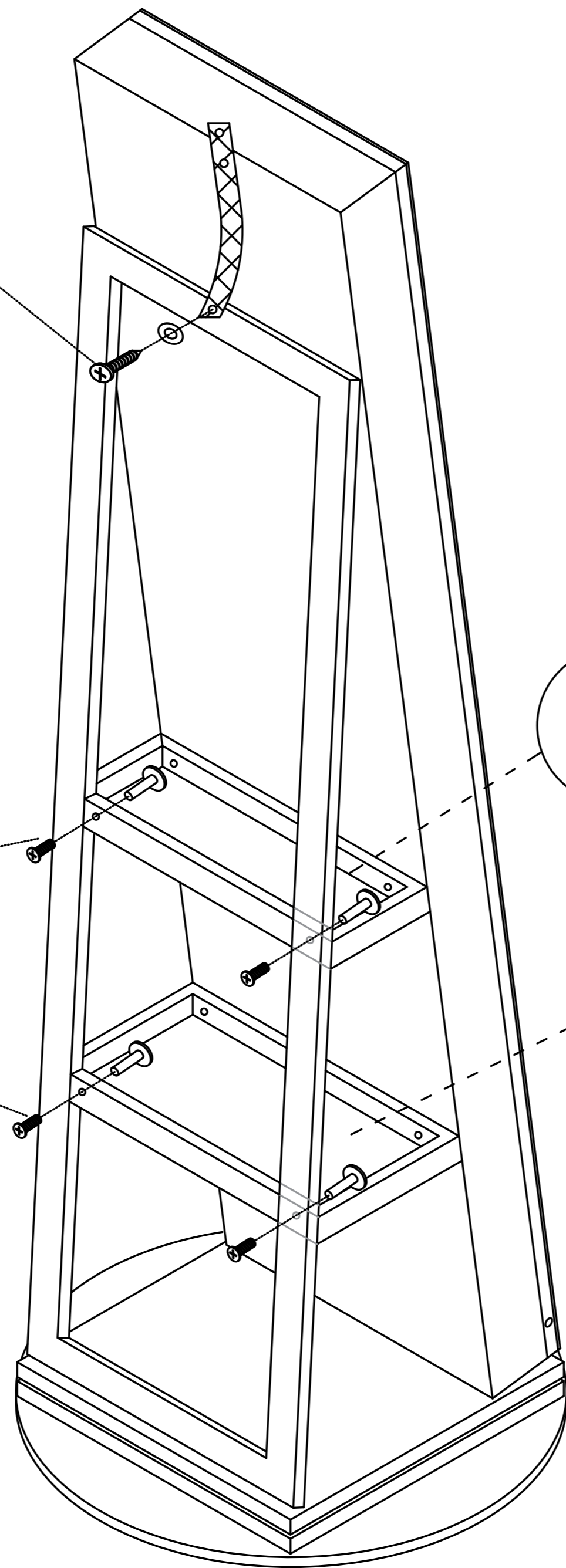
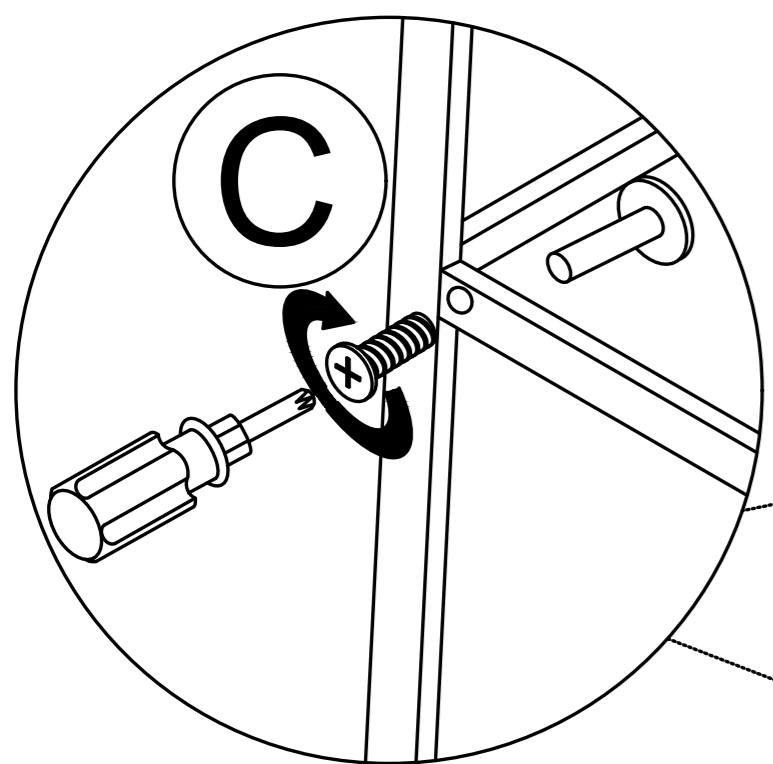
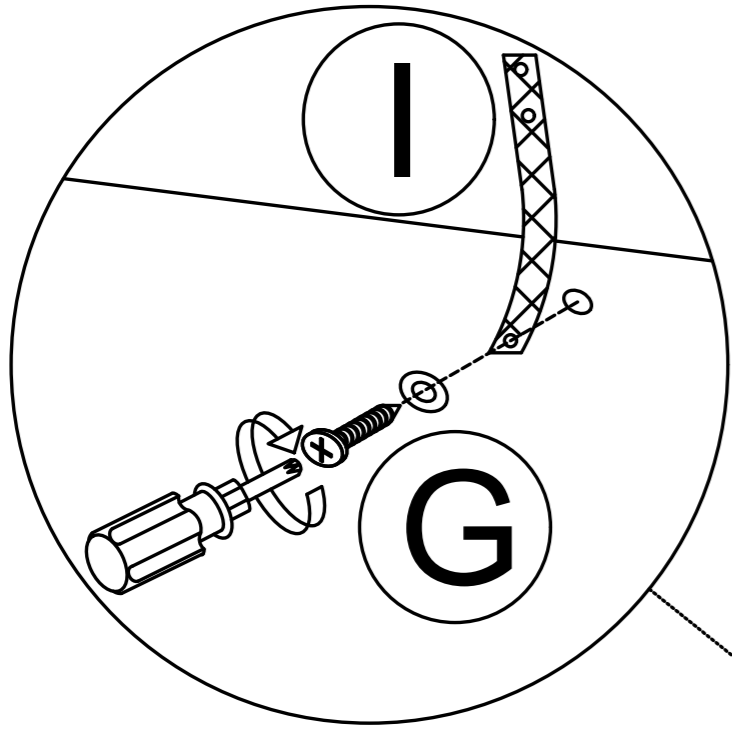
Step 2

A	 (6*30mm)	x 4
---	--	-----



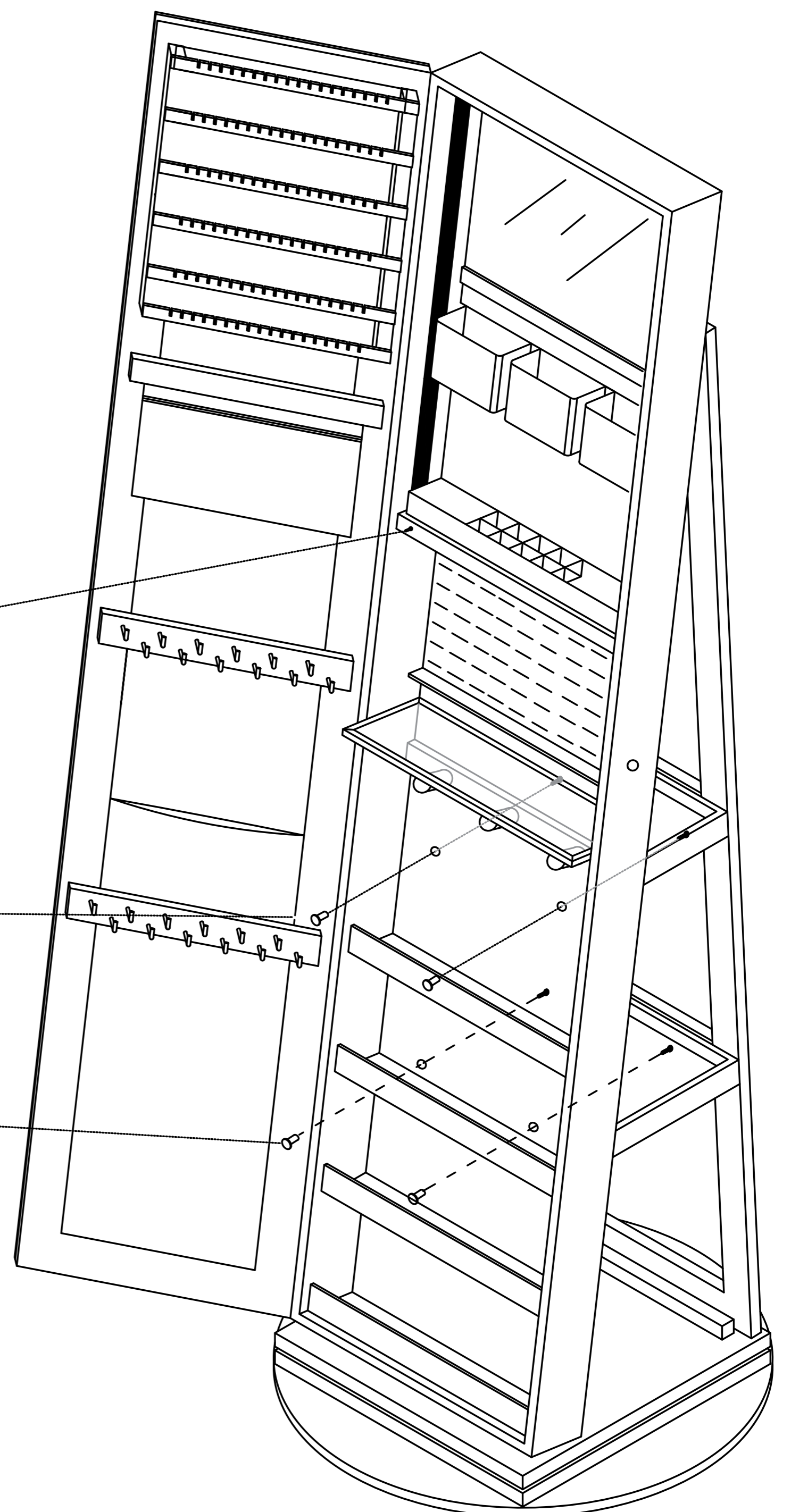
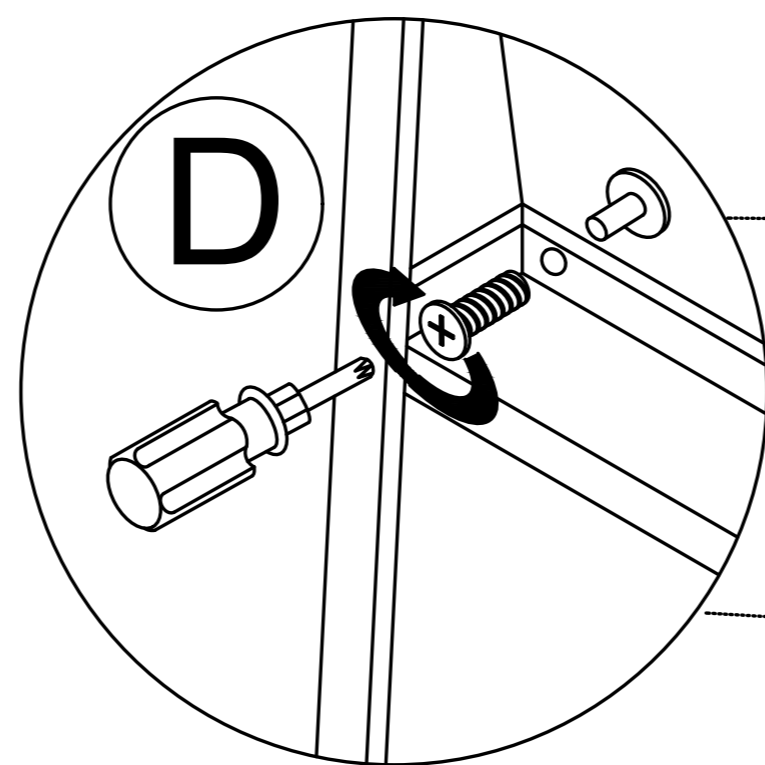
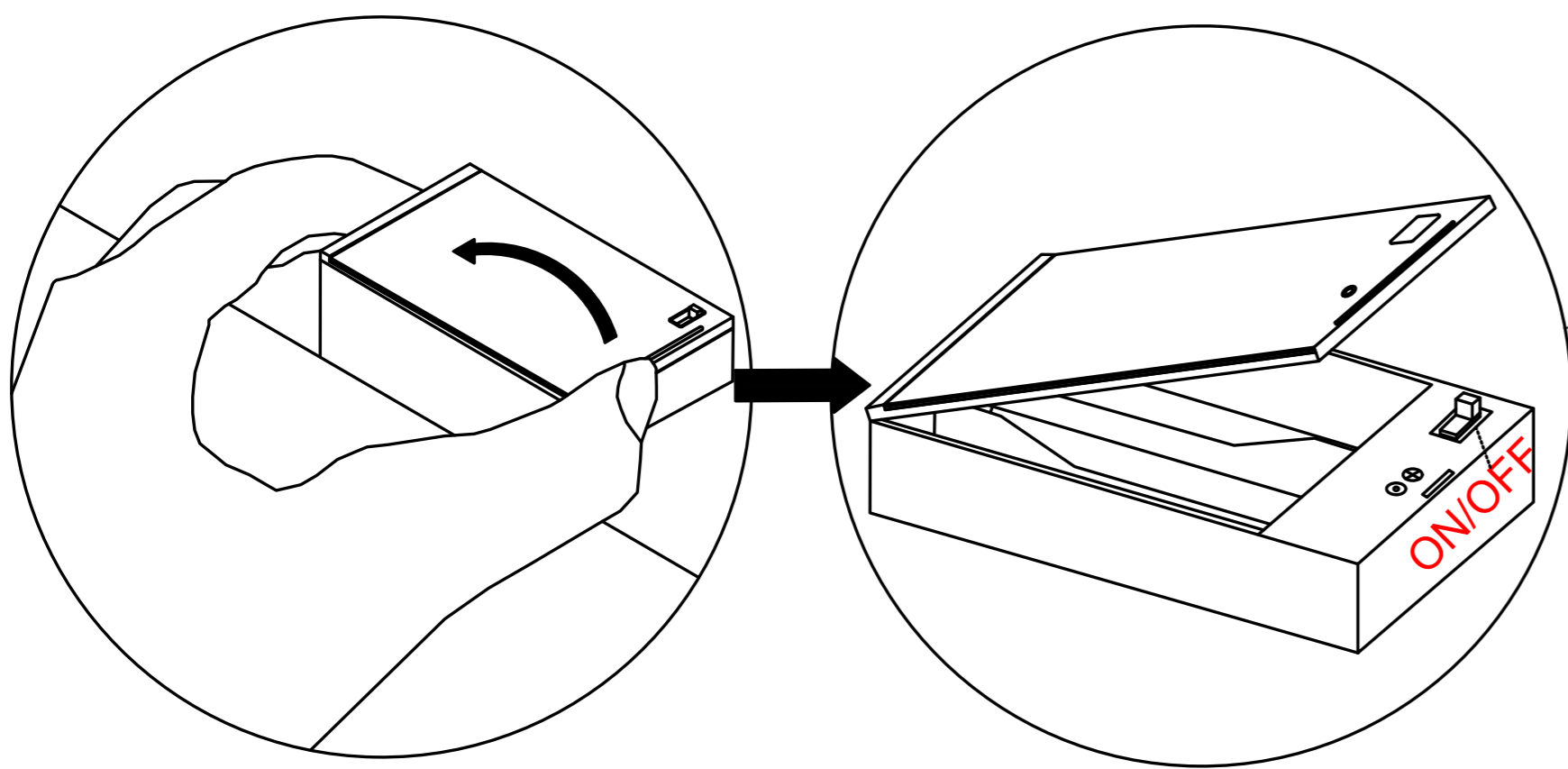
Step 3

G		x 1	D	 (5*8mm)	x 4
I		x 1	C	 (5*20mm)	x 4

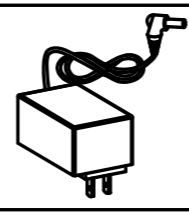


Battery installation

(Tip: use 3 AA batteries)
need to bring your own



Step 4



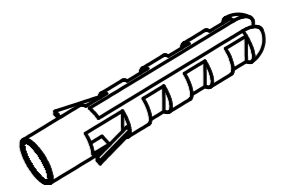
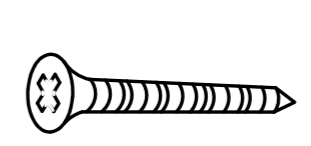
x 1

(B)



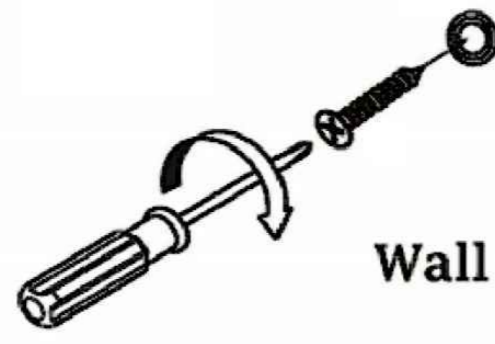
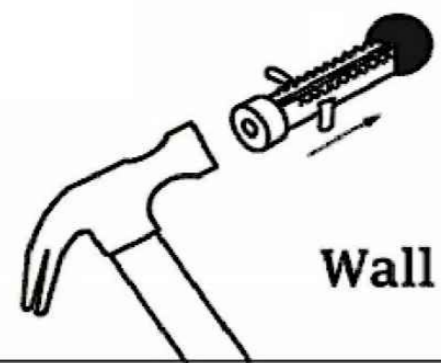
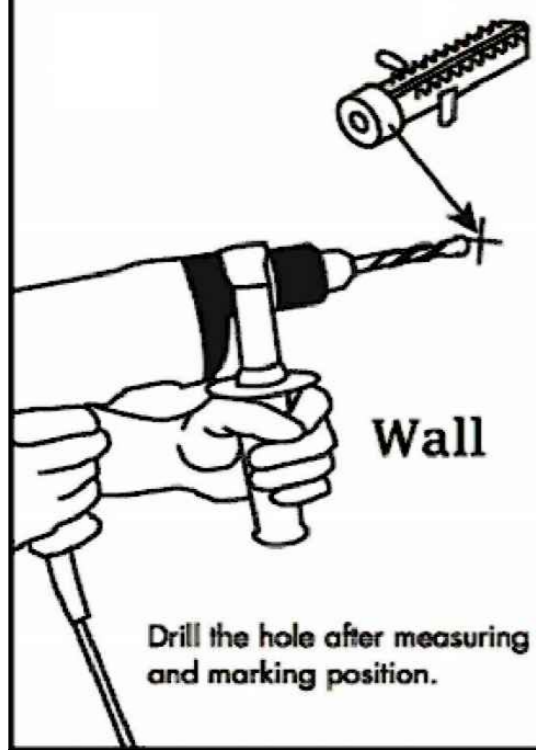
x 1

(H)

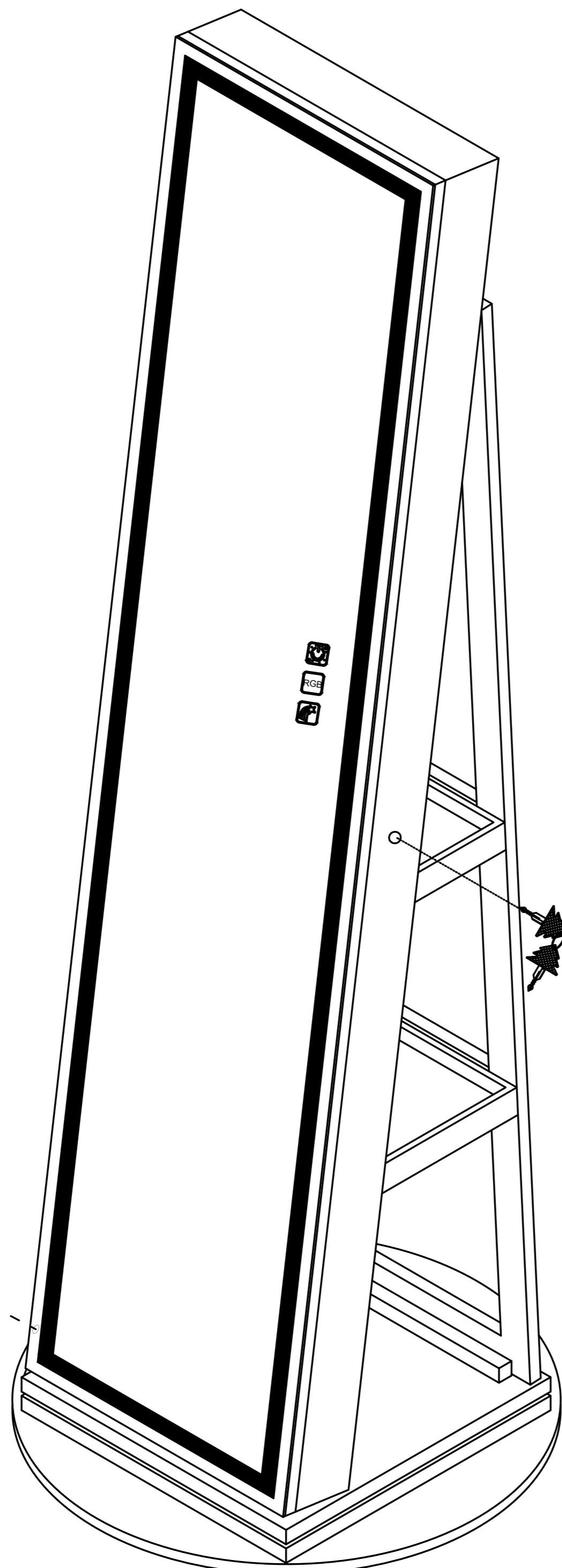


x 1

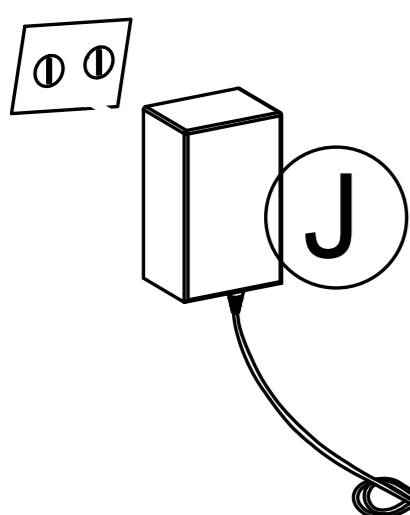
Wall Mount



(B)



(B)



(J)

Touch button description



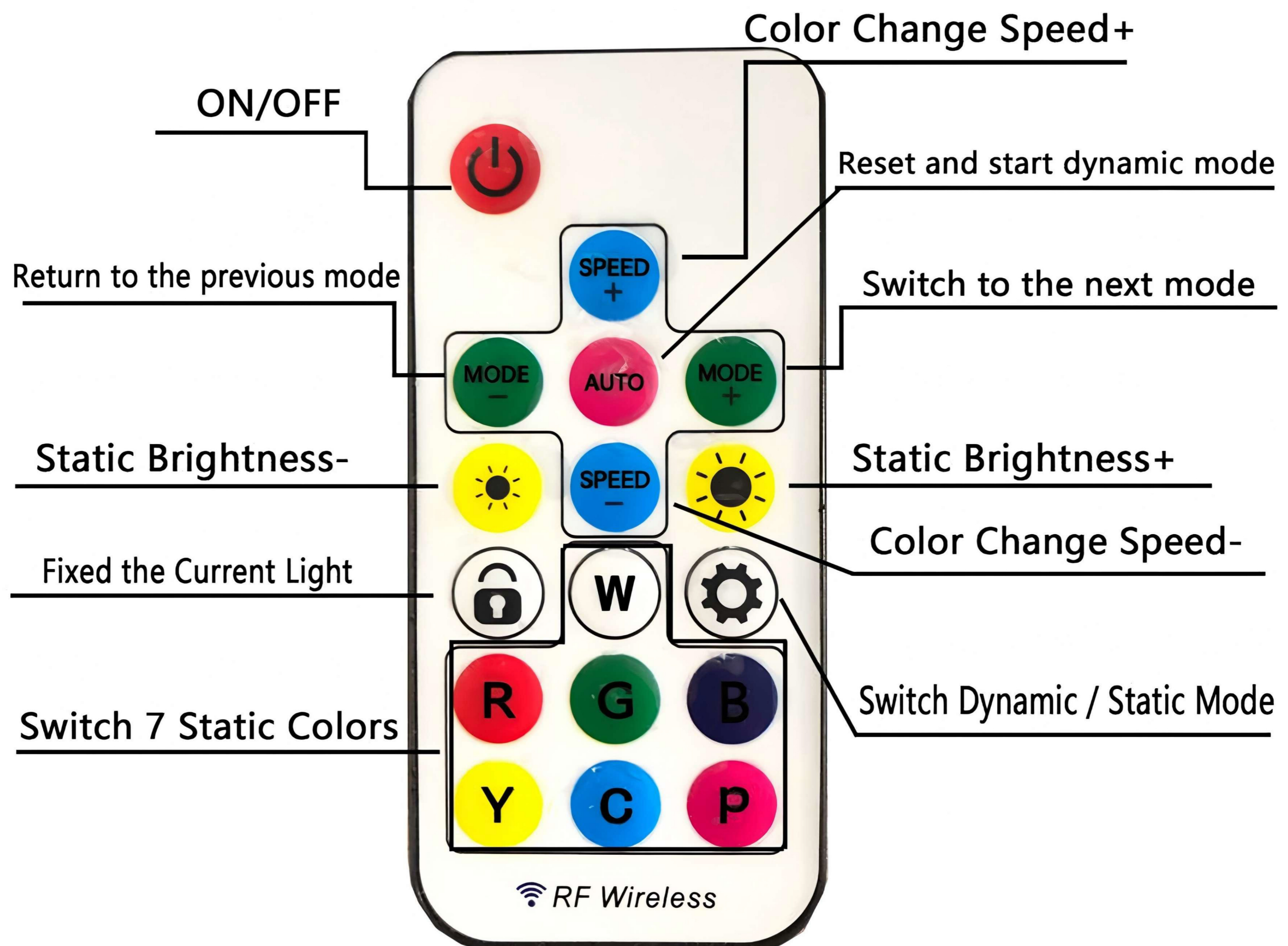
1. ON/OFF

2. Static Light Mode

(Long press to adjust brightness)

3. Dynamic Mode

(Long press to adjust speed)



LED Lights Controller-use instructions

Remote Battery: CR205 3V

How to use the controller?

1. After inserting the DC power adapter, you can use the remote control to control the lamp. Press the "on/off" button to turn on the light and enter the static light mode.

Long press the "on/ off" button to turn off the light.

2. There are 7 RGB Dynamic Modes. You can press the "MODE+/-" key to choose dynamic colors that you preferred and press the "Speed+/-" key to adjust color change speed.

3. There are 7 static colors: White / Red / Green/ Blue / yellow / ice blue/ pink light. You can press the "Brightness +/-" key to adjust the brightness.

4. You can press the "lock" key to fix the color you like. When you press the "Switch Dynamic /Static Mode" key, the light will change between dynamic mode and static mode.