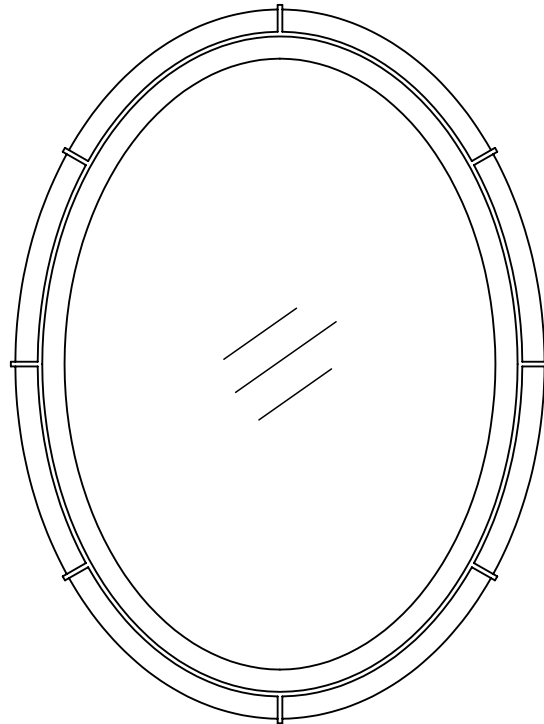


# MOE'S

Assembly Instructions

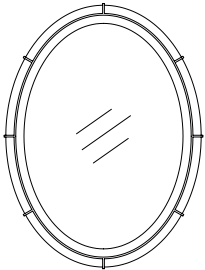
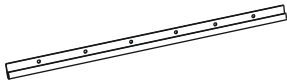




## ANTONI MIRROR BLACK LARGE

PZ-1014-02

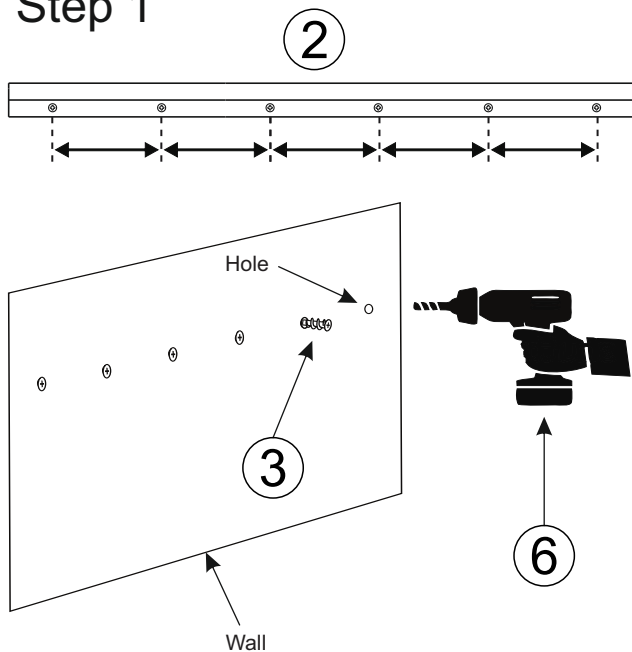


Thank you for your purchase!

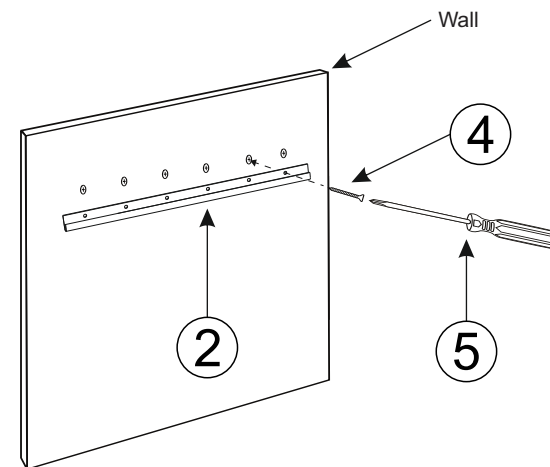
# Parts and Hardware

<p>1. IRON MIRROR FRAME x 1</p> 	<p>2. WALL MOUNT BRACKET x 1</p> 
<p>3. WALL ANCHOR x 6 L40 mm x Ø13 mm</p> 	<p>4. SCREW x 6 L38 mm x Ø7 mm</p> 
<p>5. SCREWDRIVER x 1 (NOT INCLUDED)</p> 	<p>6. POWER DRILL x 1 (NOT INCLUDED)</p> 

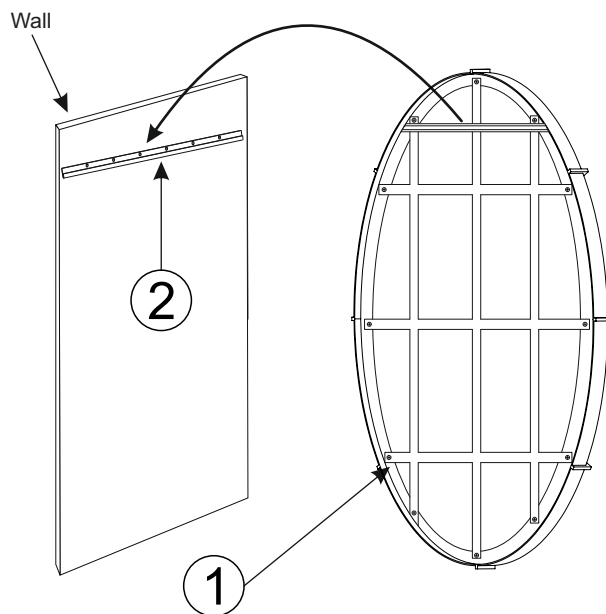
## Step 1



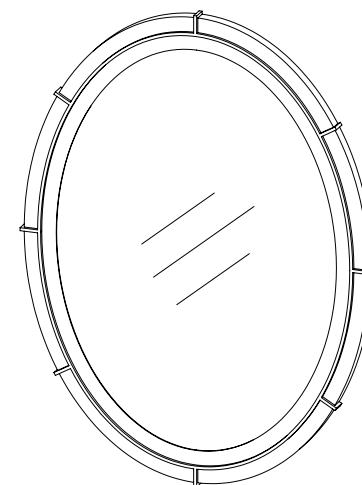
## Step 2



## Step 3



## Step 4



### Notes

Thank you for purchasing this quality product!  
Be sure to check all packing material carefully for small part that may have come loose inside the carton during shipping.

**Caution:** The item is heavy, assembly should be performed by two people.