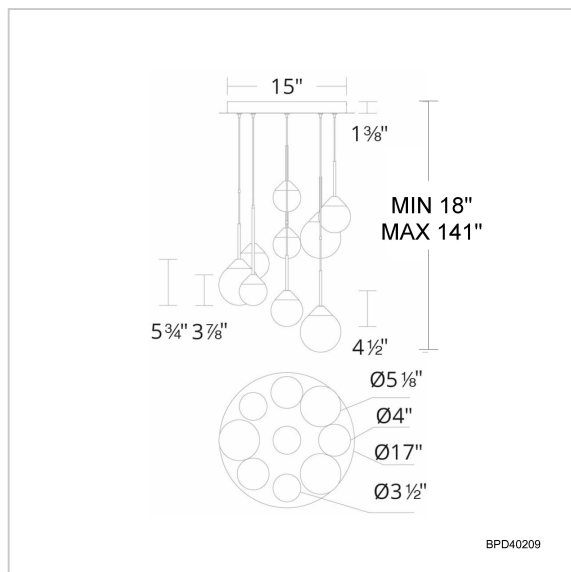


Quest

BPD40209



LINE DRAWING



Project:

Location:

Fixture Type:

Catalog Number:

DESCRIPTION

Crystal ball patterned to offer enhanced illumination. The Schonbek Optic Haze Quartz spheres project omnidirectional high quality LED illumination for an astonishing, graceful aesthetic.

FEATURES

- Round Canopy available in 3, 5, 9, 15, 21 Light configurations
- Optic Haze®, made of natural quartz, has unique variations in luster, hue, patterning and texture inherent to this material. When illuminated, the dimension of the crystal is beautifully accented.
- 3CCT adjustability switch. Set from 3000K/3500K/4000K
- Thin, powered aircraft cables provide adjustable suspension height for an ultra-clean look
- Can be mounted on a sloped ceiling.
- Driver concealed within the canopy

CRYSTAL OPTIONS



Optic Haze®
Quartz
(OH)

FINISH OPTIONS



Black
(-BK)



Aged Brass
(-AB)

SPECIFICATIONS

Light Source	LED
Dimming	ELV,0-10V, Triac
Standards	ETL/cETL, Title 24

REPLACEMENT PARTS

- RPL-GLA-40205 - Replacement Crystal 5"
- RPL-GLA-40204 - Replacement Crystal 4"
- RPL-GLA-40203 - Replacement Crystal 3"

Model	Crystal	Finish	# of Lights	CCT	Voltage	Wattage	Weight	LED Lumens	Delivered Lumens
BPD40209	OH	- AB - BK	9 Light	3000K/3500K/ 4000K	120V-277V	38W	41.6lbs	2519	Up To 2779

Example: BPD40209-BK