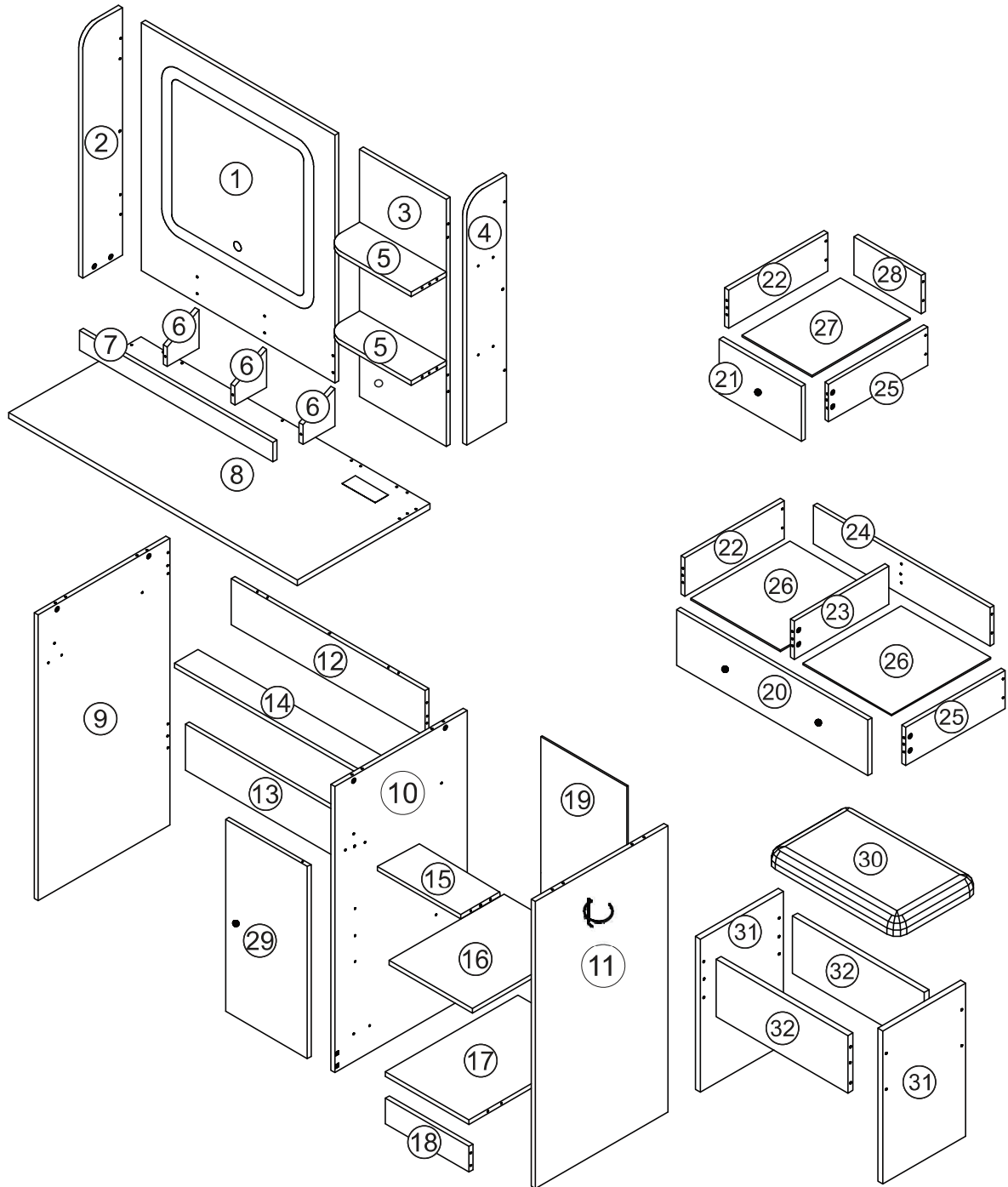


SKU: HK-VD-007-C

User Manual

Z6-20250921

Disassembly Diagram



Before assembly, please read the USER MANUAL thoroughly for quick assembly, and check according to Accessories.

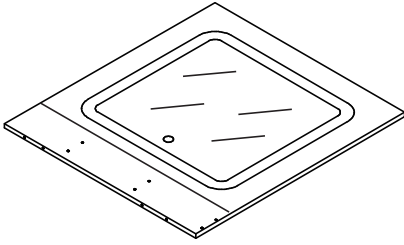
If you have any concerns or questions during assembly or about product itself, please feel free to contact us via Amazon Orders or Customer Support Email:

 support@korfile.com



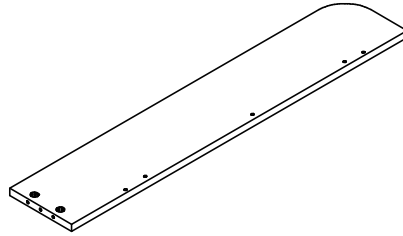
Accessories

①



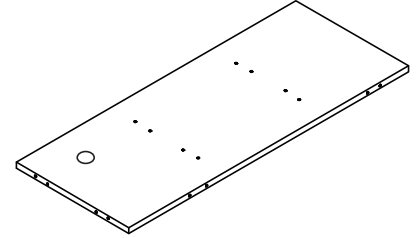
1PC

②



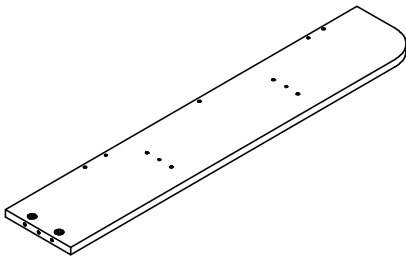
1PC

③



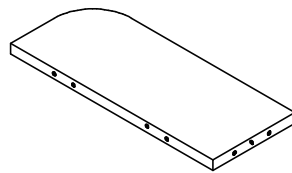
1PC

④



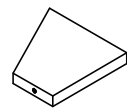
1PC

⑤



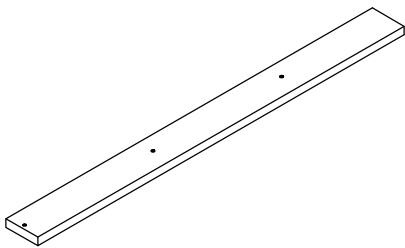
2PCS

⑥



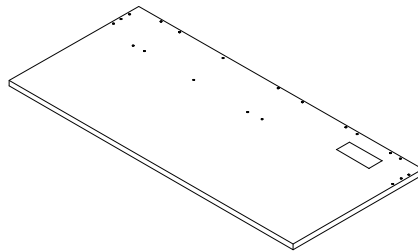
3PCS

⑦



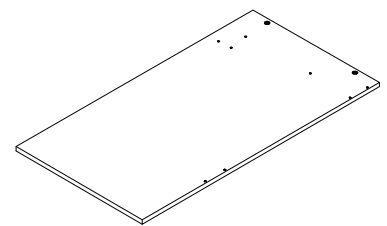
1PC

⑧



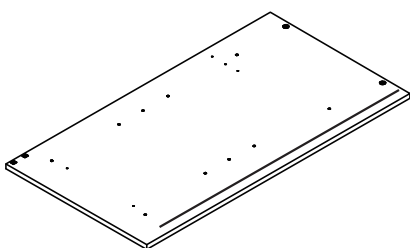
1PC

⑨



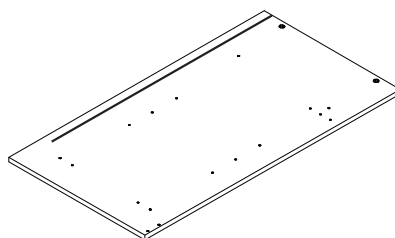
1PC

⑩



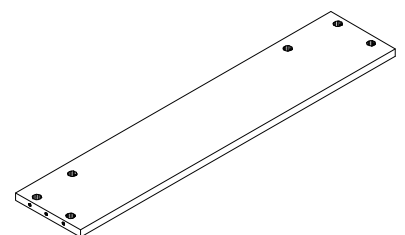
1PC

⑪



1PC

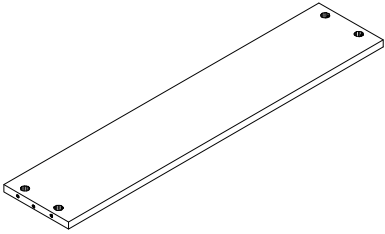
⑫



1PC

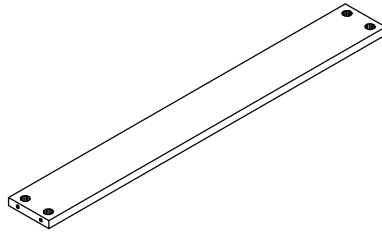
Accessories

13



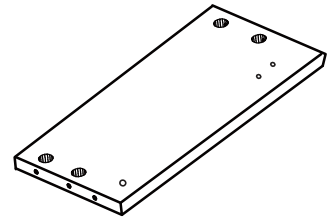
1PC

14



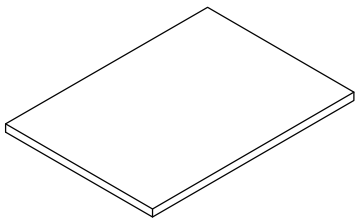
1PC

15



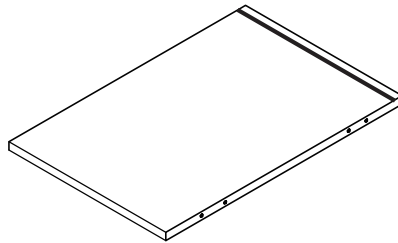
1PC

16



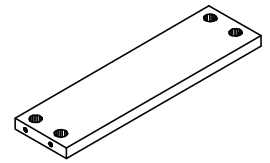
1PC

17



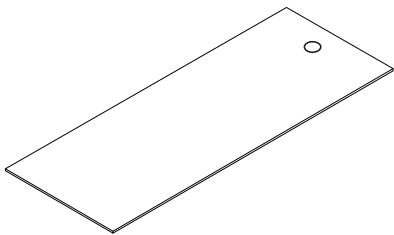
1PC

18



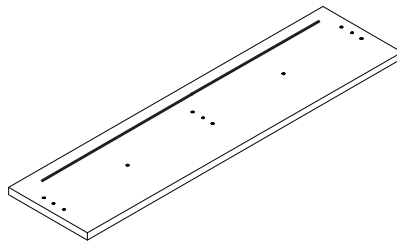
1PC

19



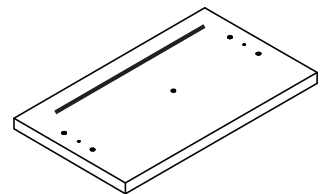
1PC

20



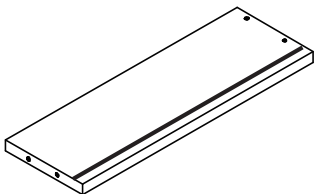
1PC

21



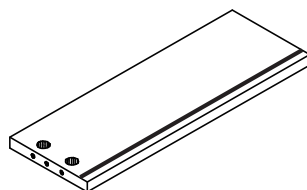
1PC

22



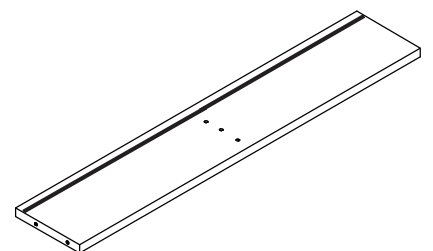
2PCS

23



1PC

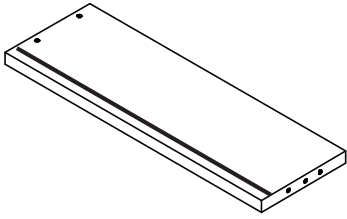
24



1PC

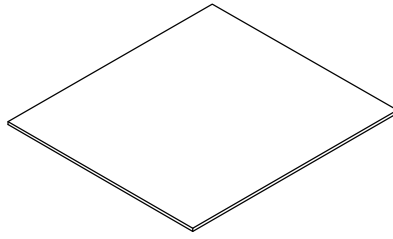
Accessories

25



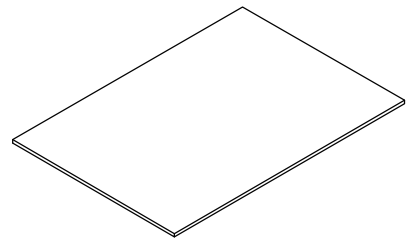
2PCS

26



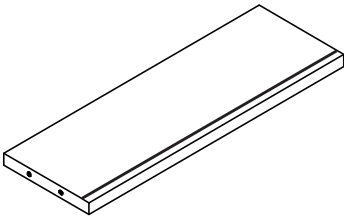
2PCS

27



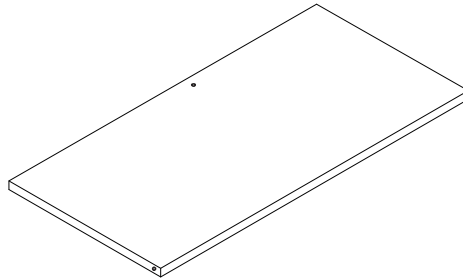
1PC

28



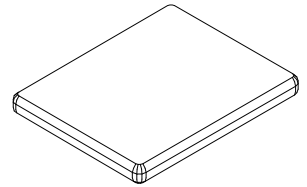
1PC

29



1PC

30



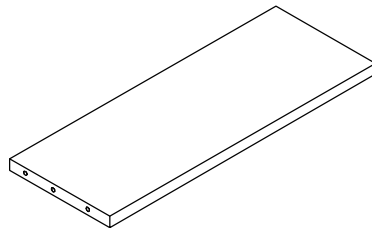
1PC

31



2PCS

32



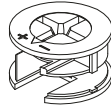
2PCS

Accessories

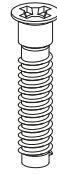
(A) x54+2



(B) x54+2



(C) x42+2



6x40mm

(D) x 25+2



(E) x46+2



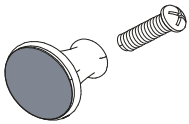
6x30mm

(F) x38+2

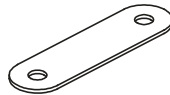


3x12mm

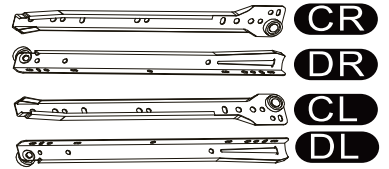
(G) x4



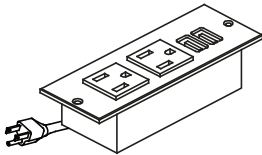
(H) x4



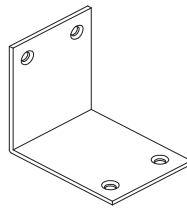
(J) x2



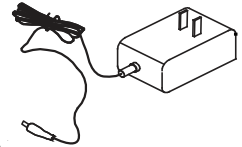
(K) x1



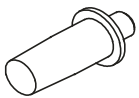
(L) x2



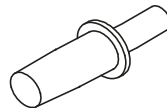
(M) x1



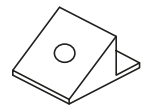
(N) x2



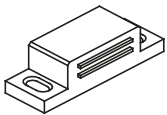
(O) x4



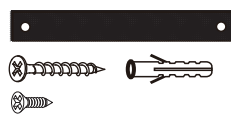
(P) x4+2



(Q) x1



(R) x3

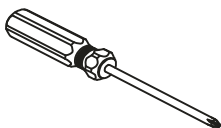


(S) x 8+2



3x14mm

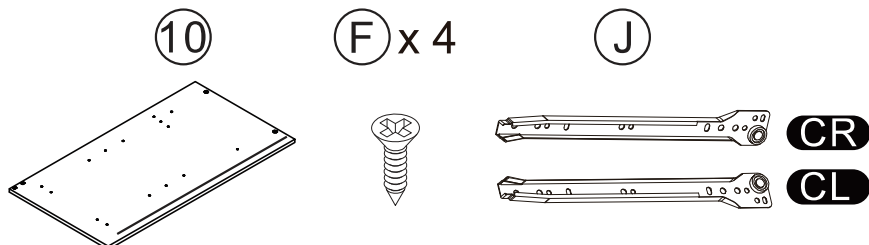
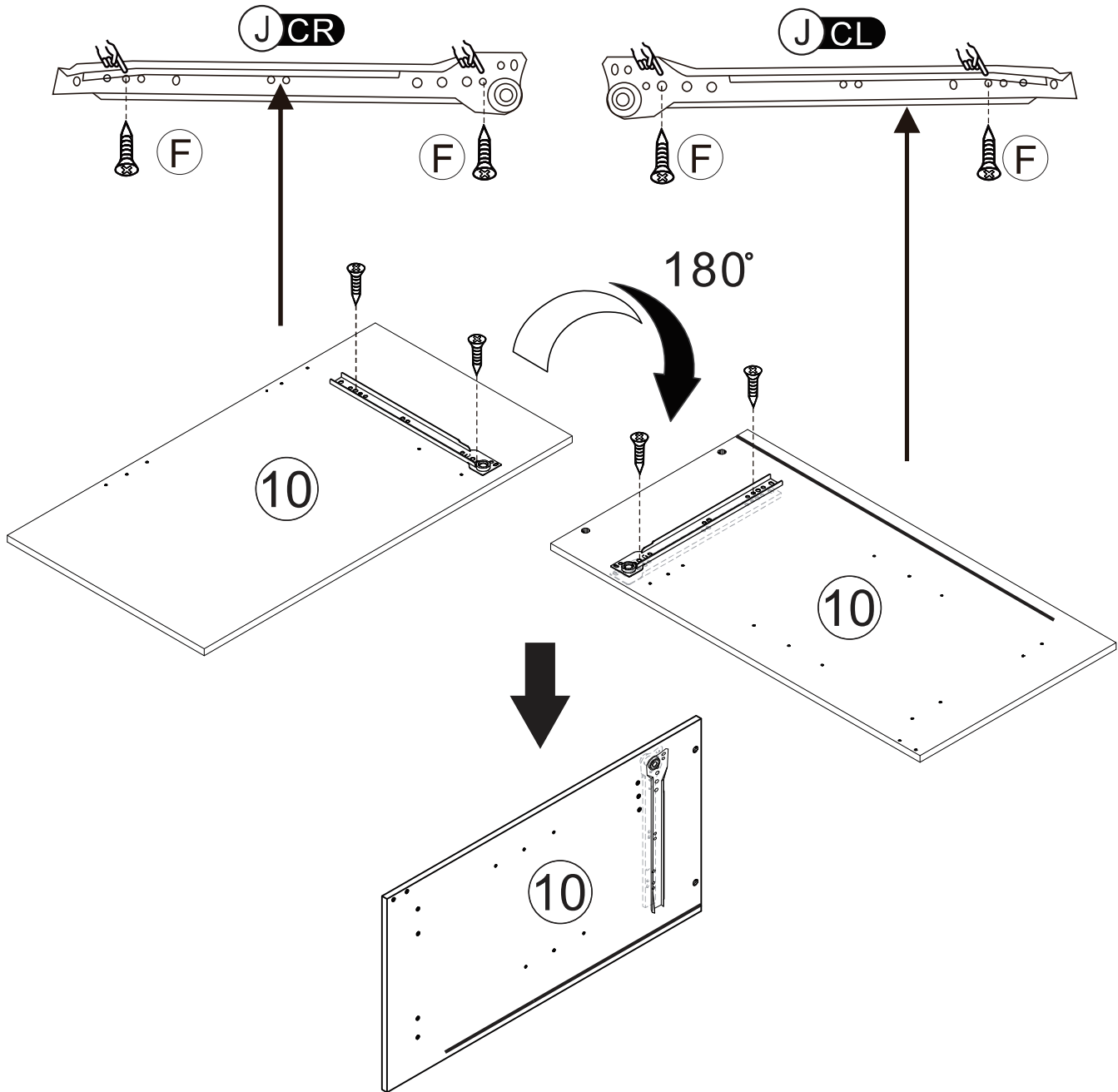
(T) x1



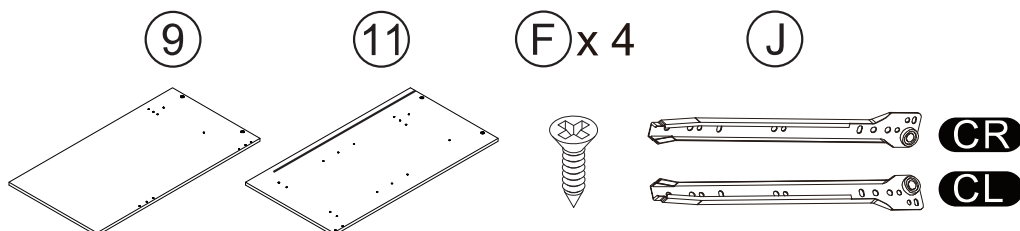
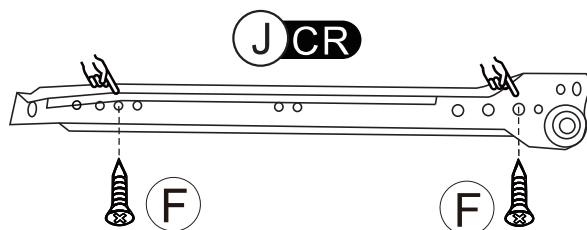
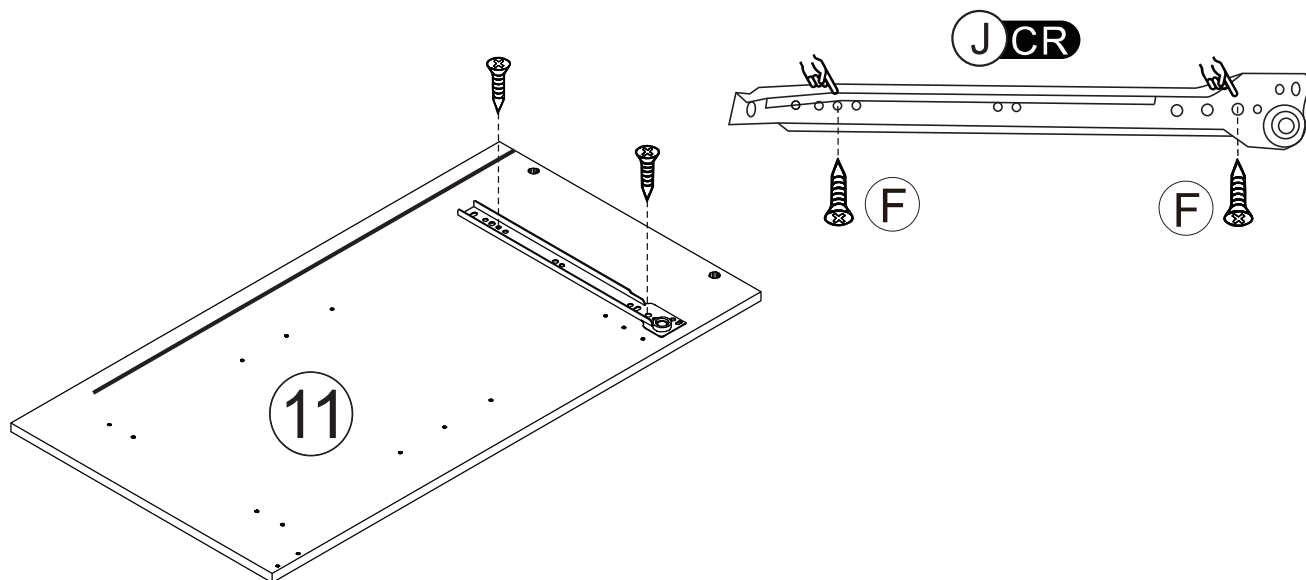
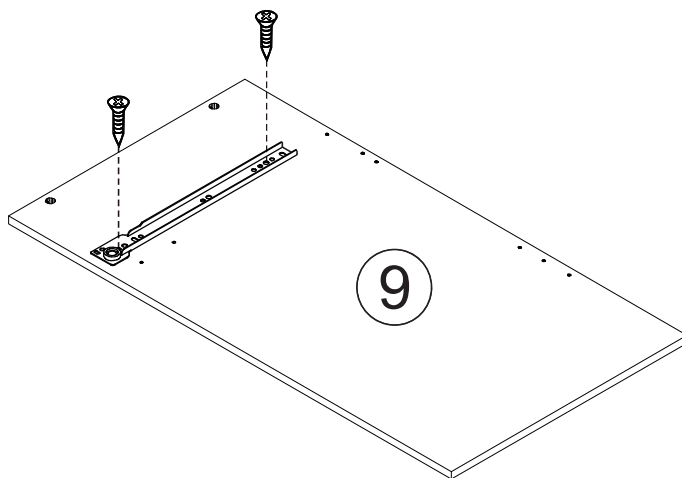
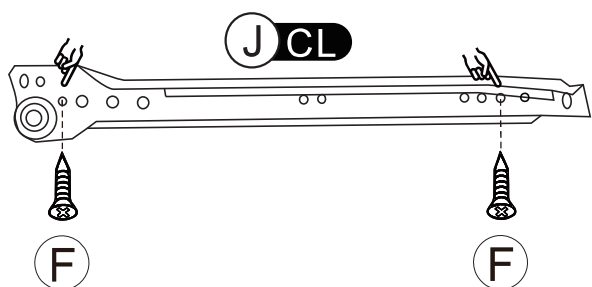
(U) x1



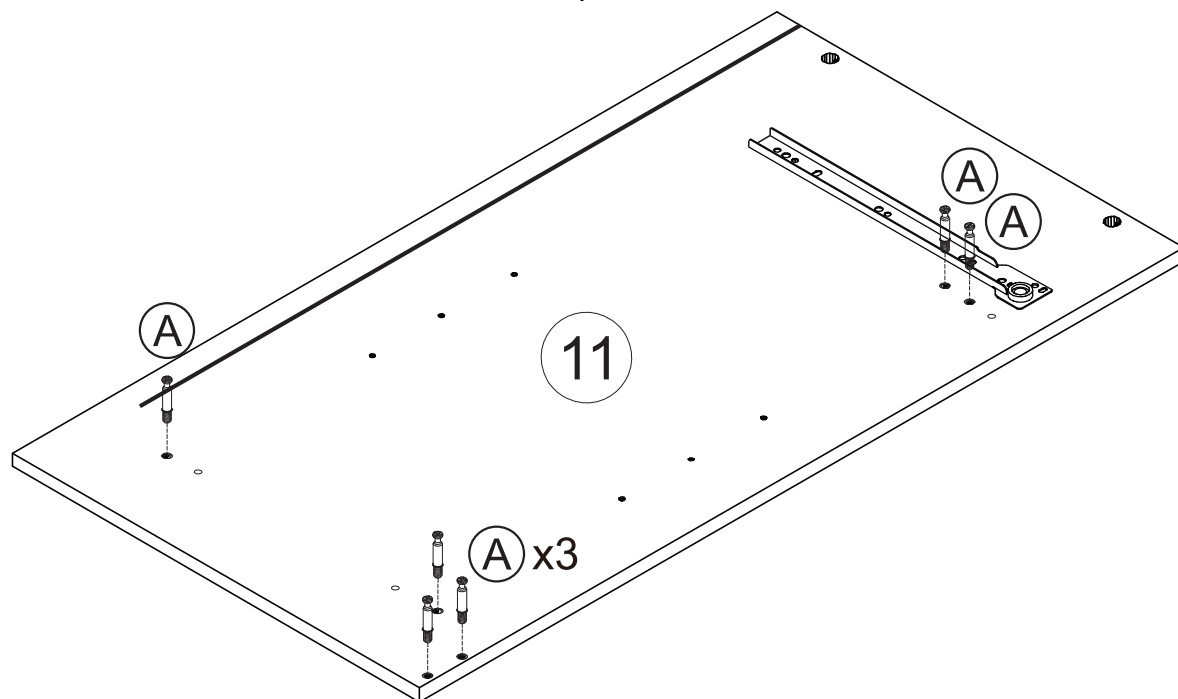
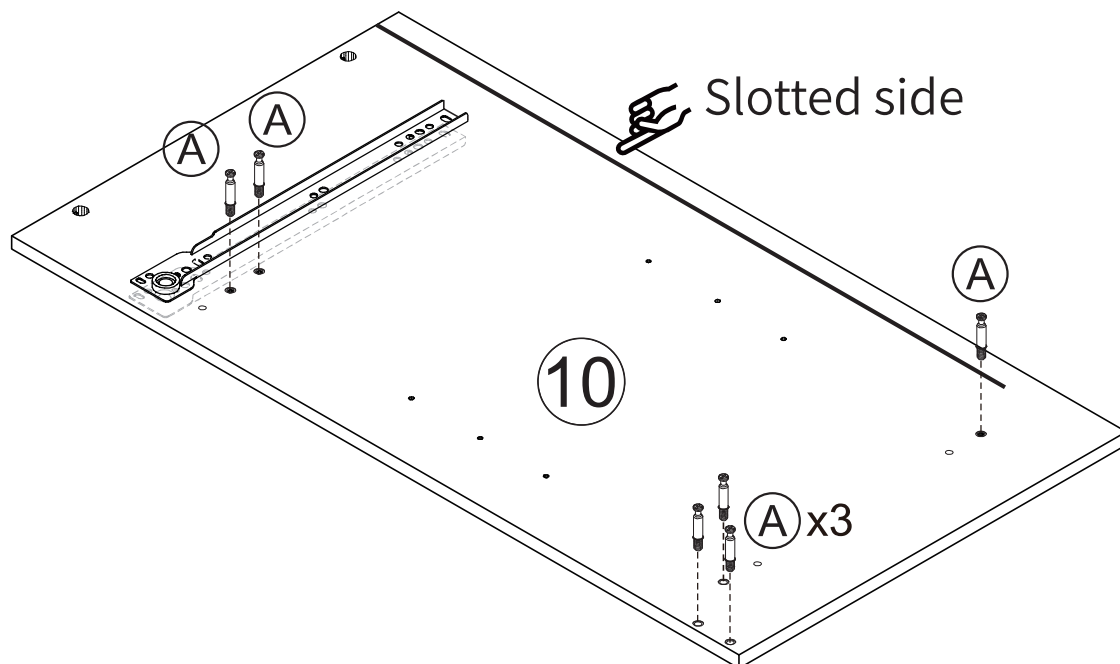
STEP 1. Fix the drawer guides (J)CL and (J)CR on the board (10) using the screws (F).



STEP 2. Fix the drawer guides (J)CL on the board (9), and (J)CR on the board (11) using the screws (F).



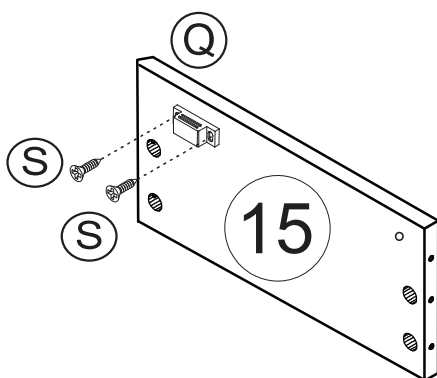
STEP 3. Screw (A) into board (10) and (11).



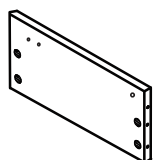
(A) x12



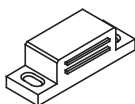
STEP 4. install the fitting (Q) (S) to the part (15).



(15)



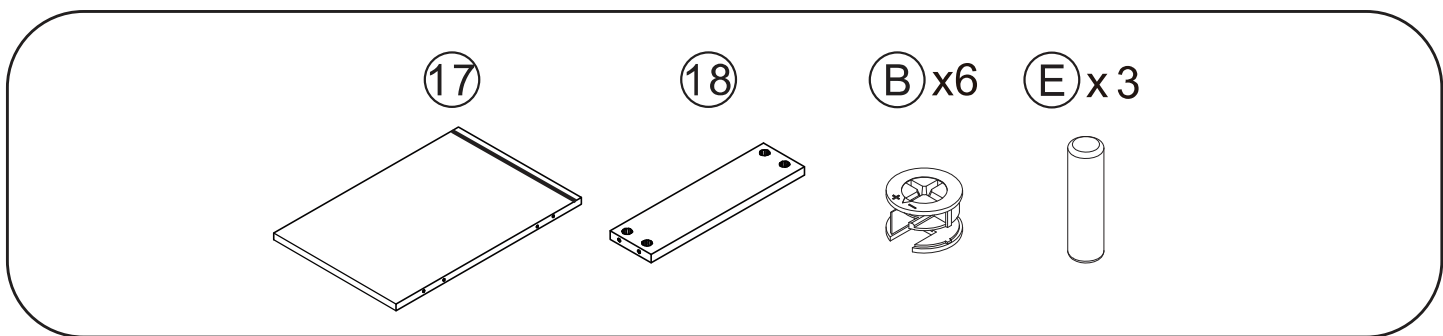
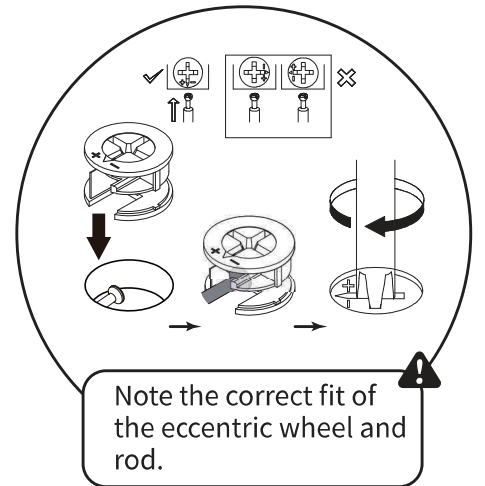
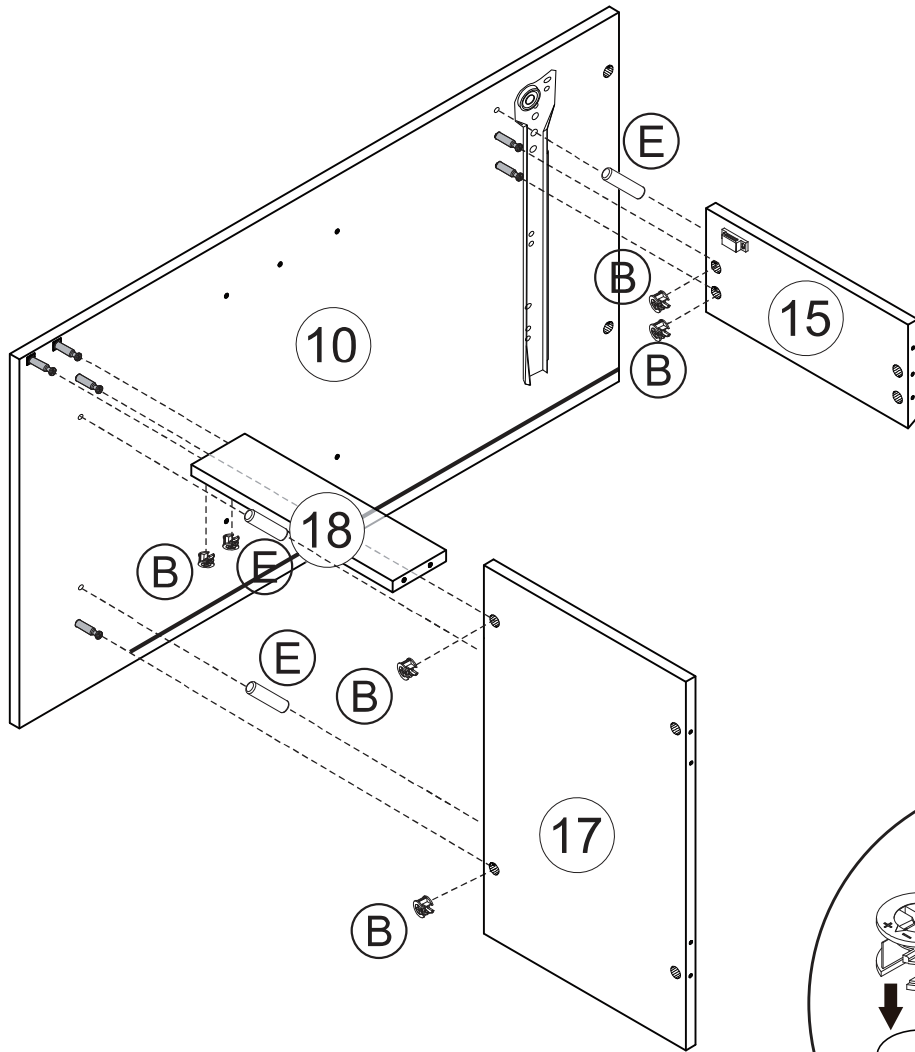
(Q)



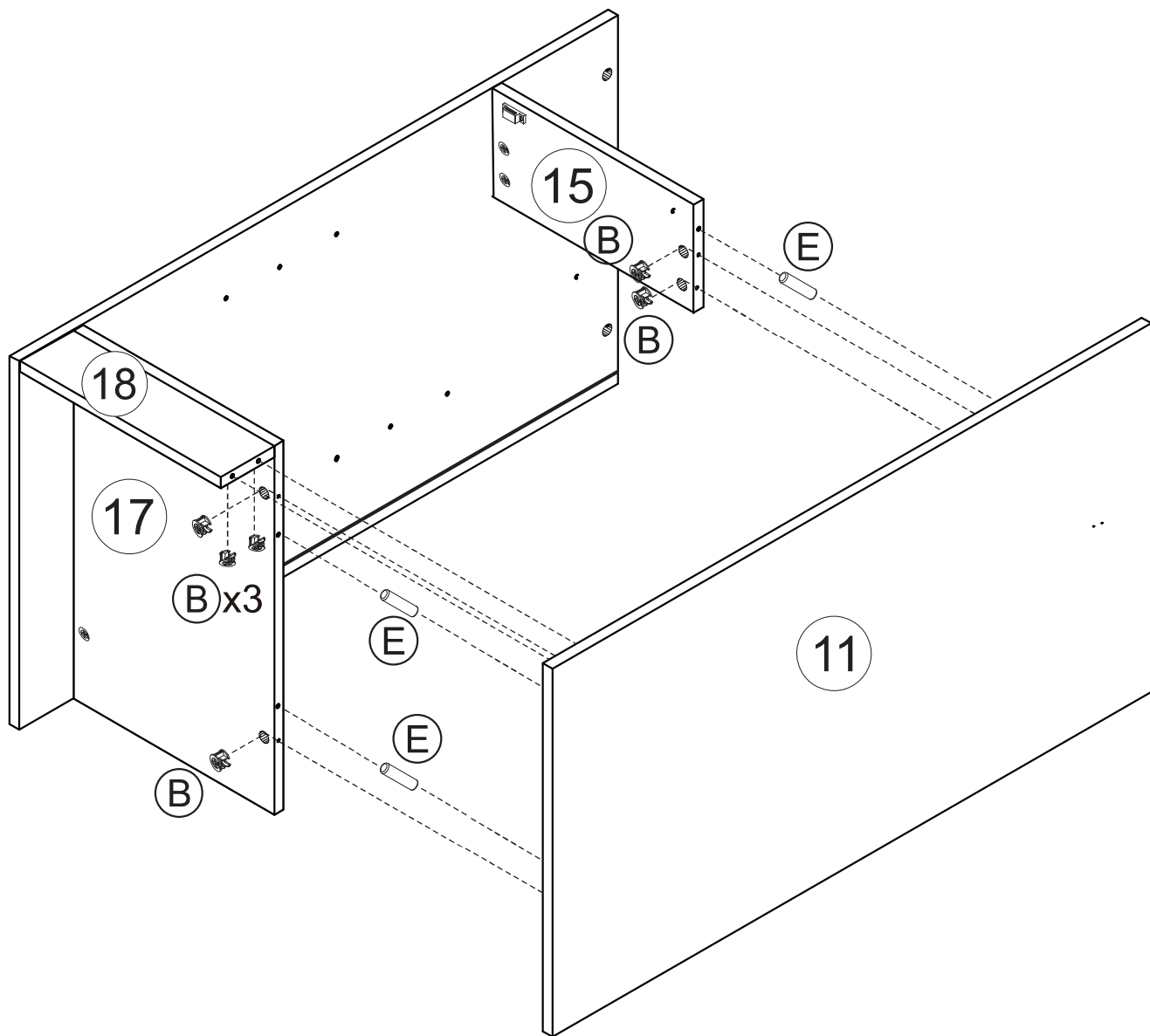
(S) x 2



STEP 5. Fix boards ⑮, ⑰, ⑱ onto board ⑩. Snap screws (the eccentric wheel) ⑮ into board ⑱, ⑰ and ⑮; then tighten screws ⑮ to secure all boards. Connect boards ⑩ and ⑮ ⑰ with wood pin ⑮.



STEP 6. Fix board ⑪ onto boards ⑮,⑰,⑱. Snap screws ② into board ⑱,⑰ and ⑮; then tighten screws ② to secure all boards. Connect boards ⑪ and ⑮⑰ with wood pin ③.

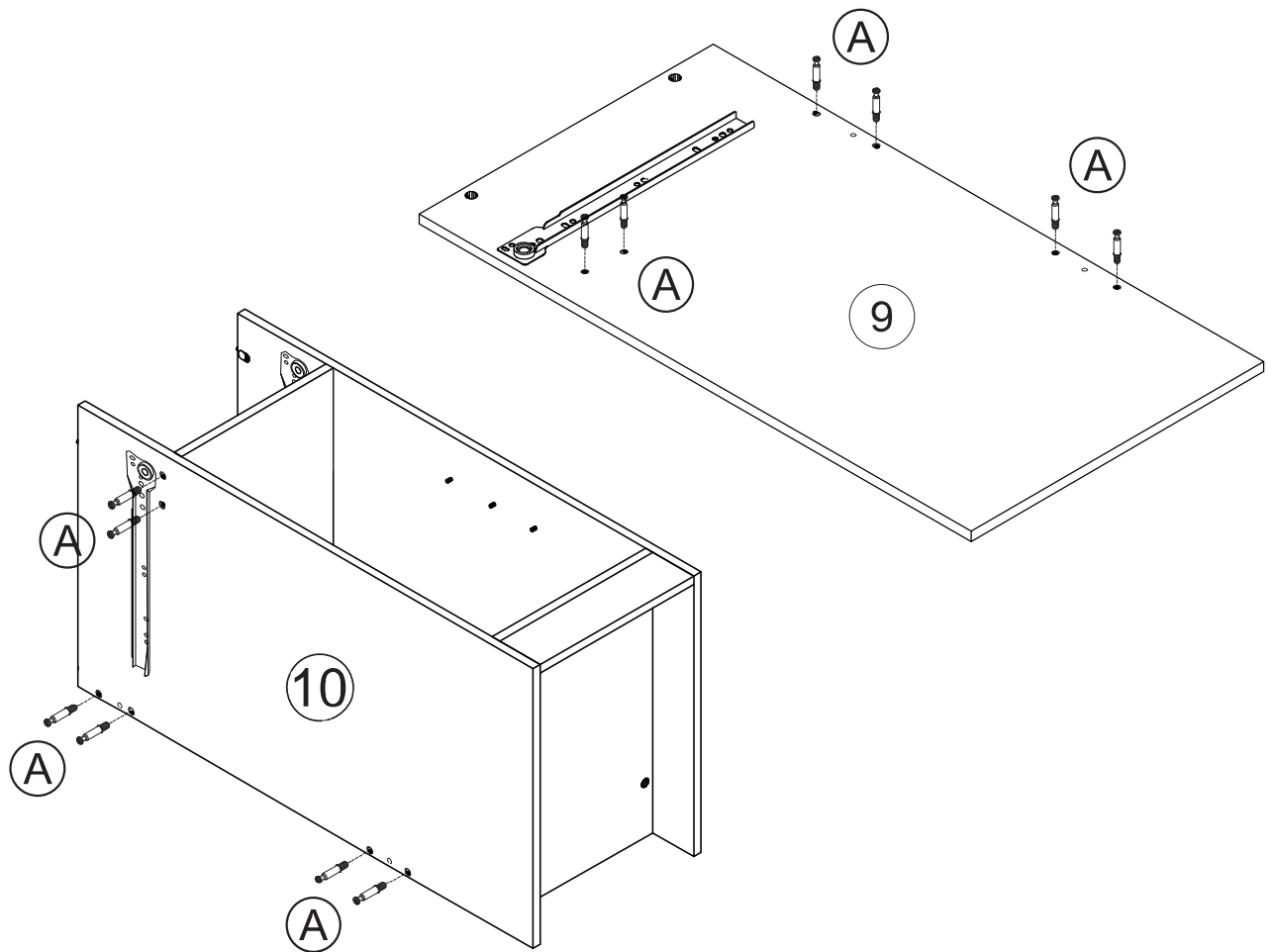


② x6

③ x3



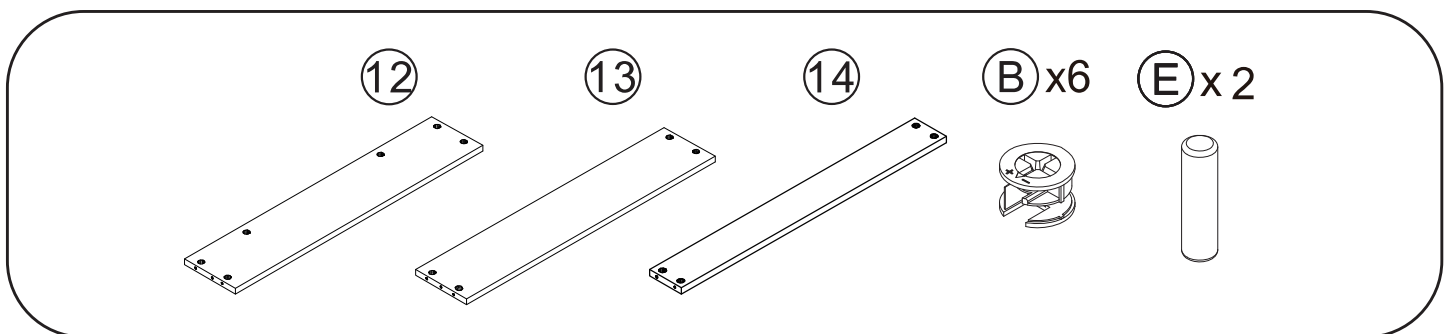
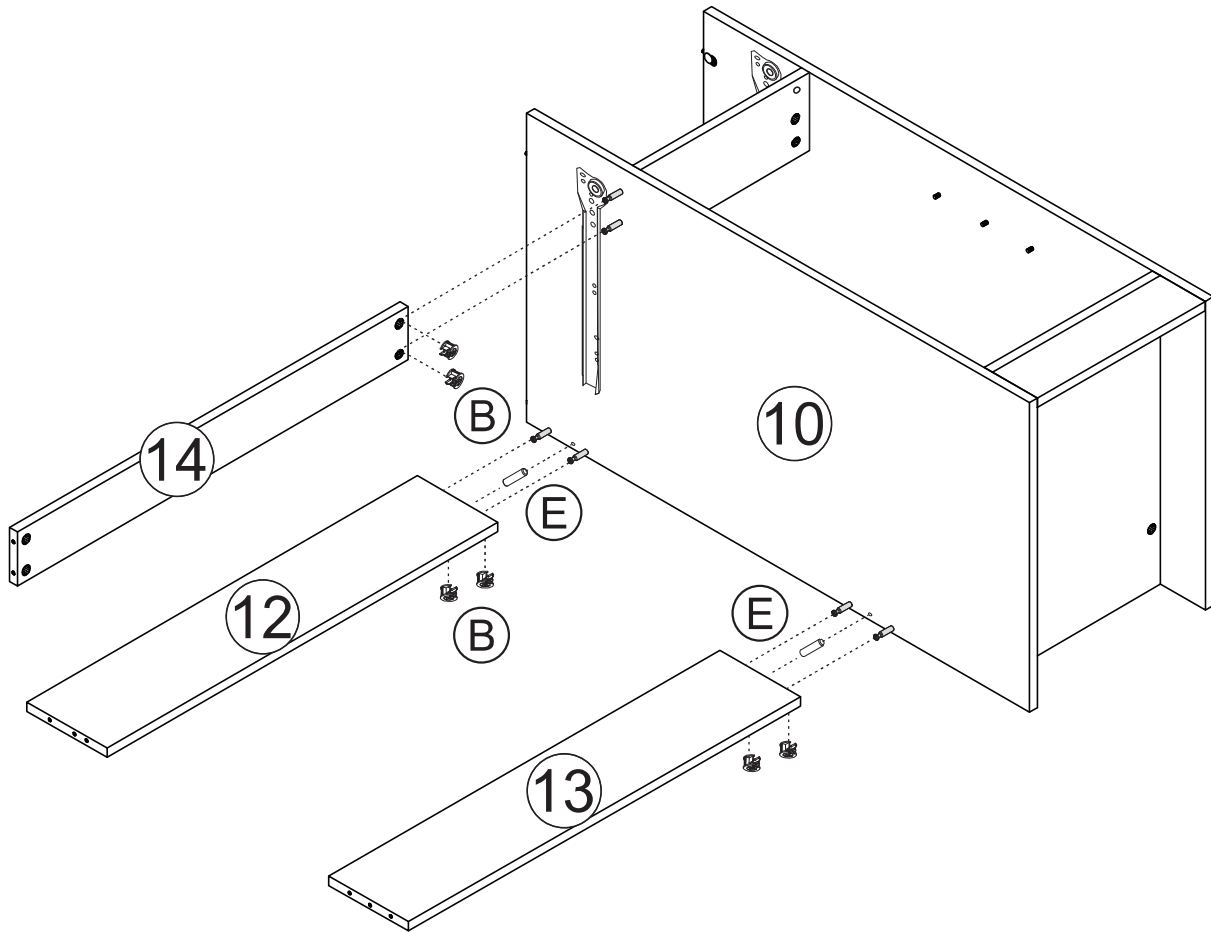
STEP 7. Screw (A) into the boards (9) and (10).



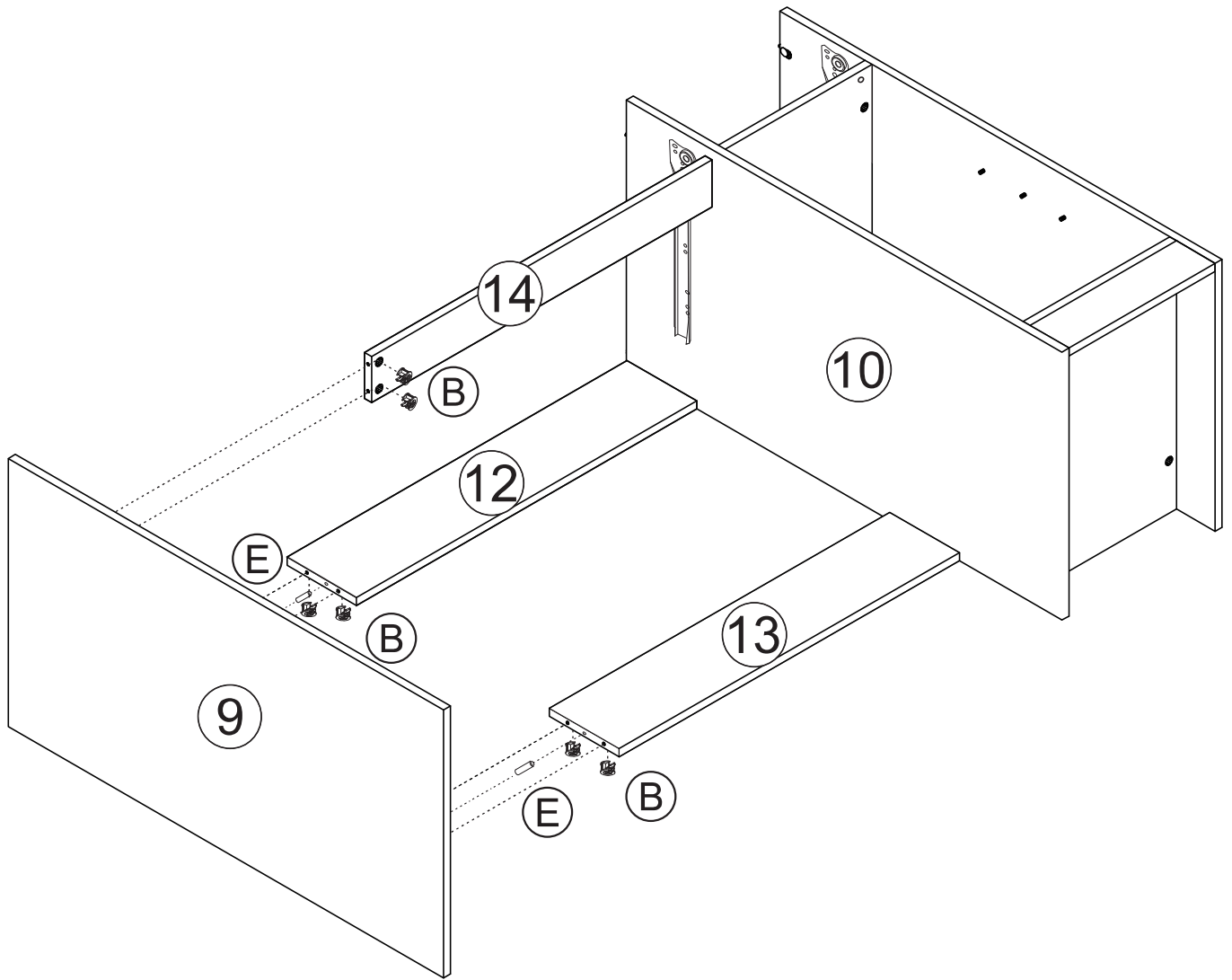
(A) x12



STEP 8. Fix boards ⑫,⑬,⑭ onto board ⑩. Snap screws ① into board ⑫,⑬,⑭; tighten screws ② to secure all boards. Connect boards ⑩ and ⑫⑬ with wood pin ⑤.



STEP 9. Fix board ⑨ onto boards ⑫,⑬,⑭ . Snap screws ② into board ⑫,⑬,⑭; tighten screws ② to secure all boards. Connect boards ⑨ and ⑫⑬ with wood pin ⑤.

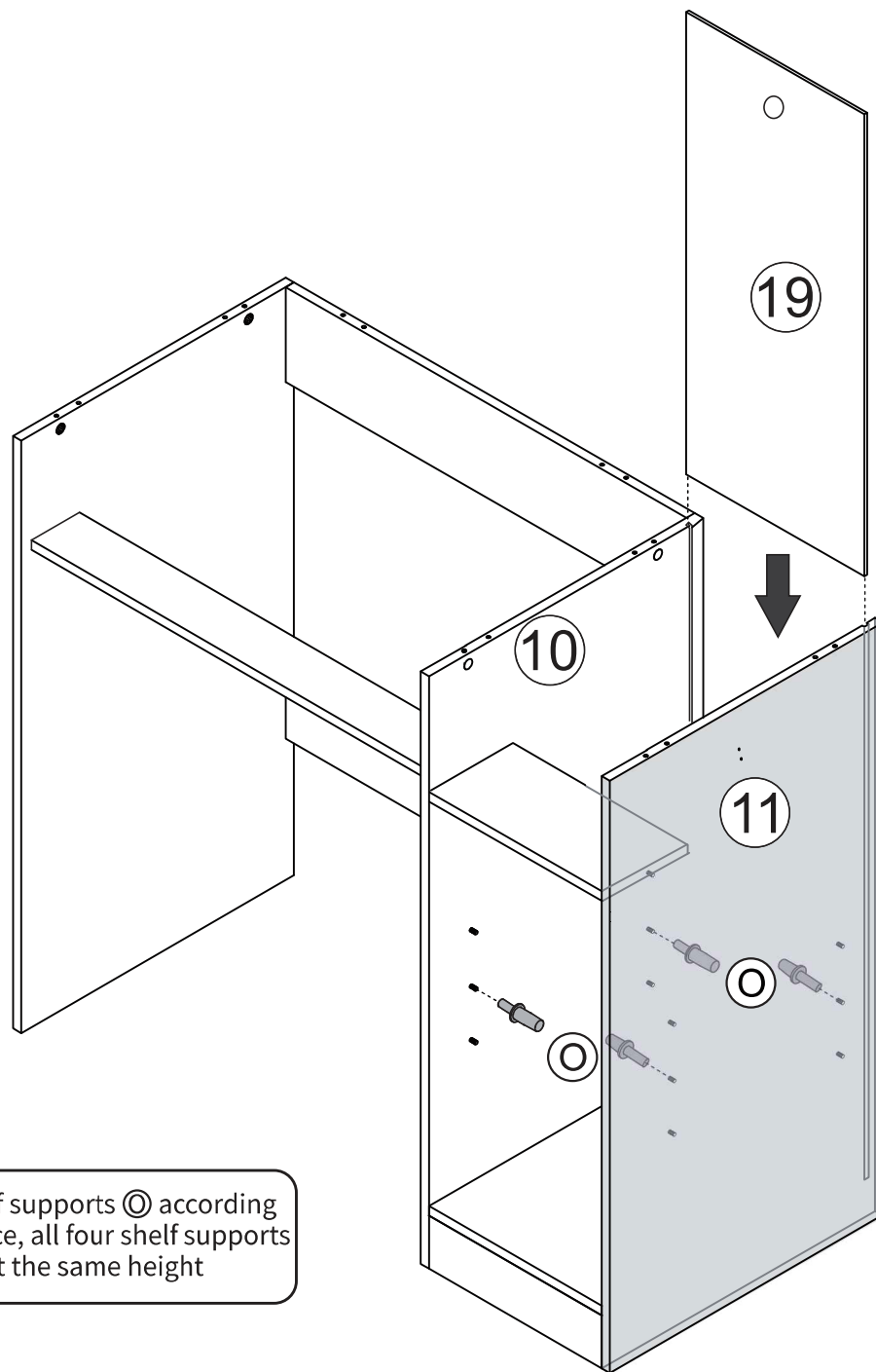


② x6

⑤ x2

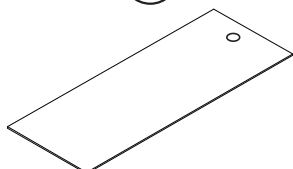


STEP 10. Insert the back board ①⑨ into the slot; Plug in the shelf supports ① into the board ①⑩ and ①⑪.

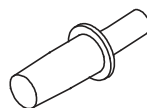


⚠ Plug in shelf supports ① according to preference, all four shelf supports should be at the same height

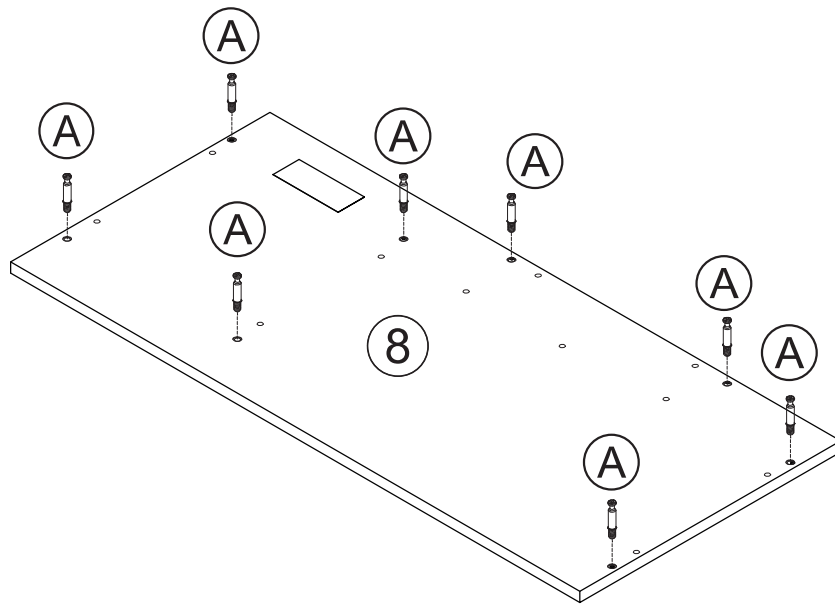
①⑨



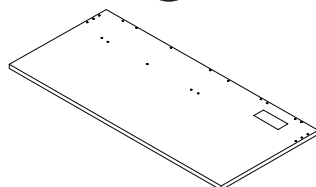
①x4



STEP 11. Screw (A) into the back of the board (8).



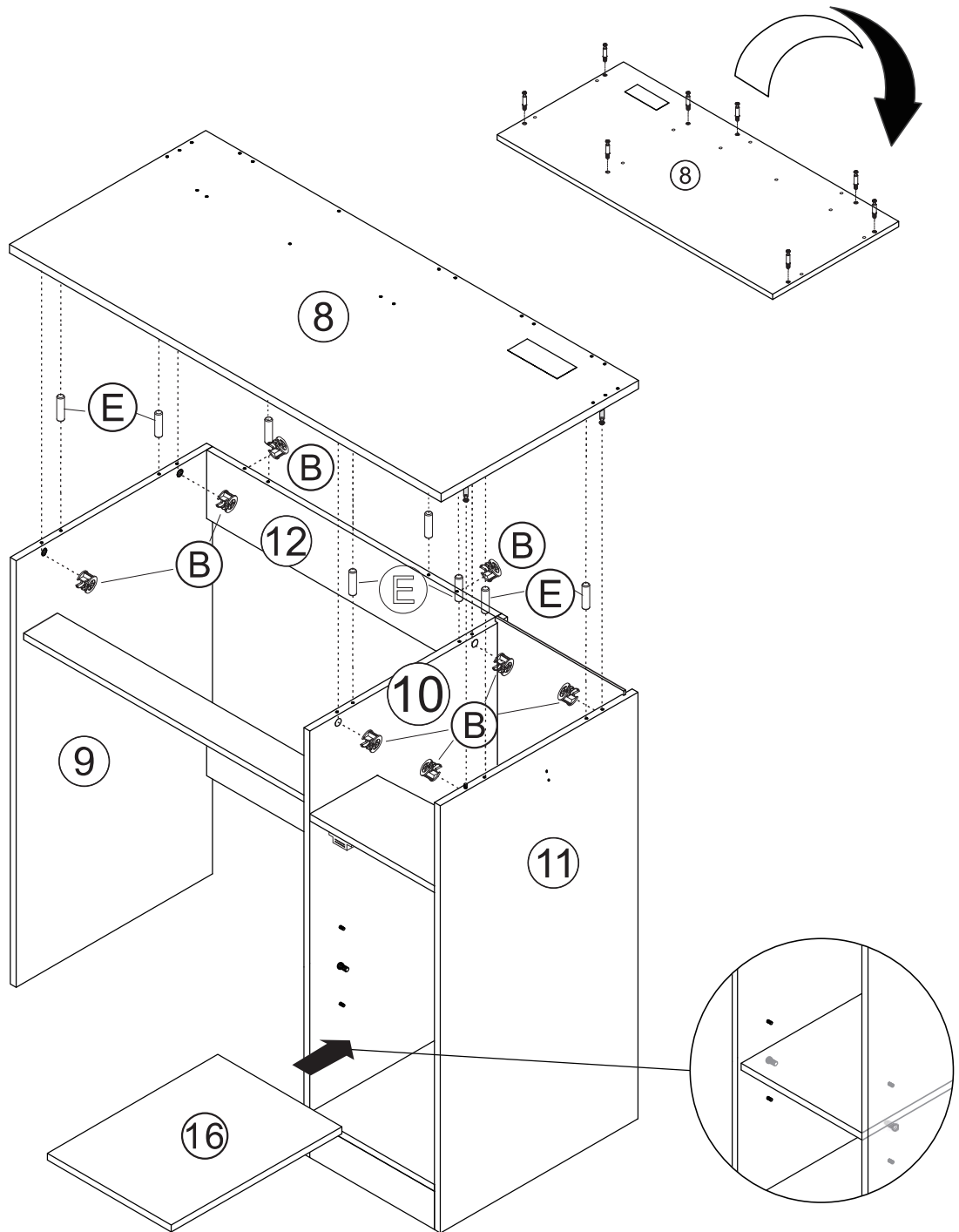
(8)



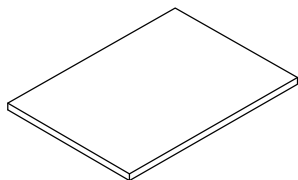
(A) x 8



STEP 12. Fix board ⑧ onto boards ⑨, ⑩, ⑪, ⑫. Snap screws ② into board ⑨, ⑩, ⑪, ⑫; tighten screws ② to secure all boards; Place the board ⑬ on ①. Connect boards ⑧ and ⑨, ⑩, ⑪, ⑫ with wood pin ④.



⑬



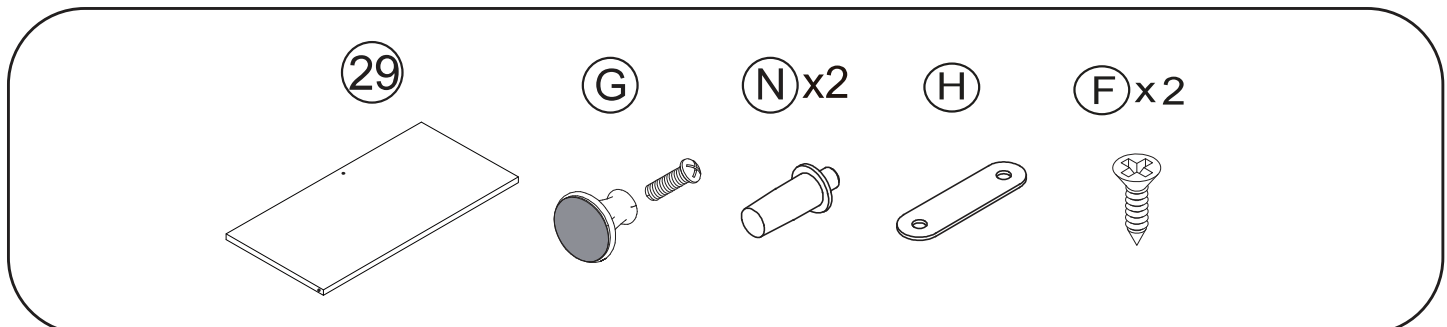
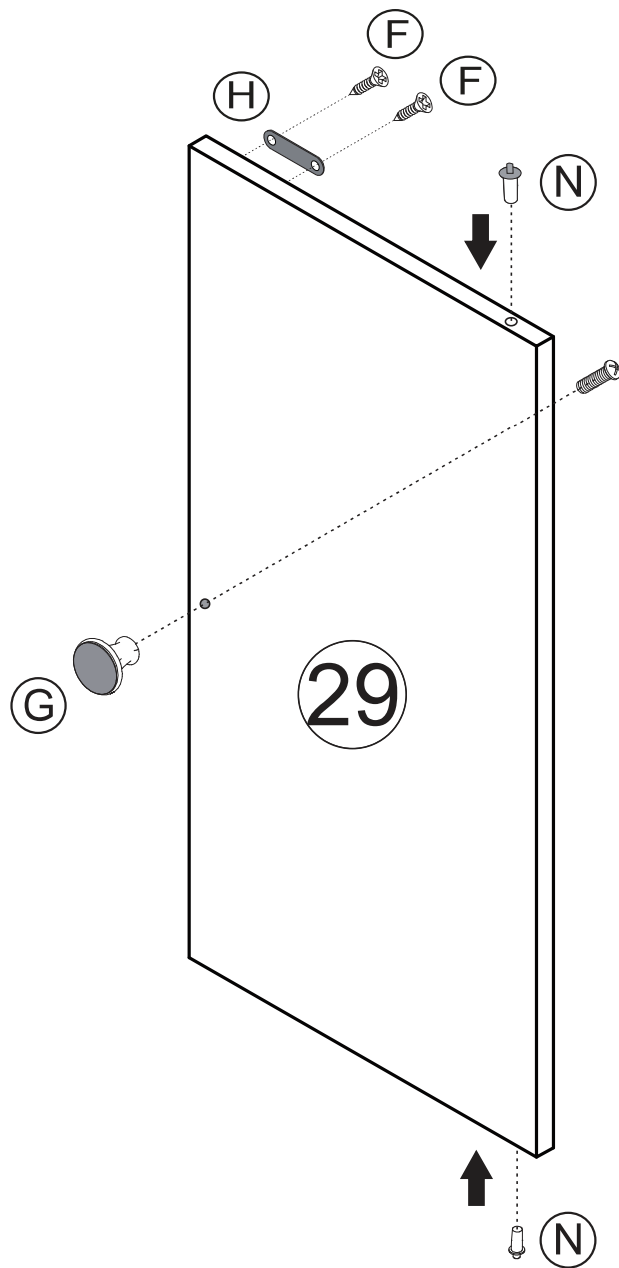
② x 8



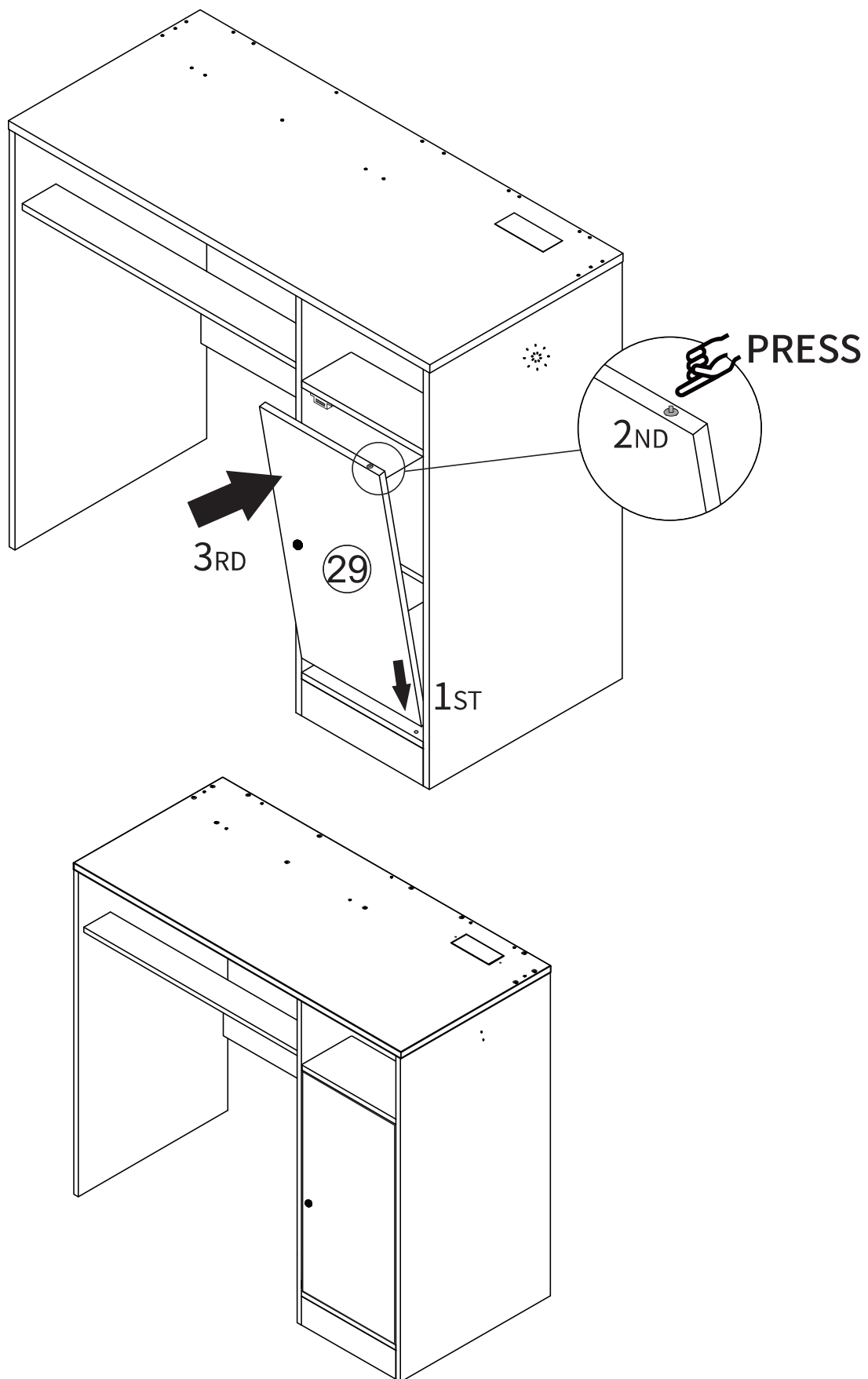
④ x 8



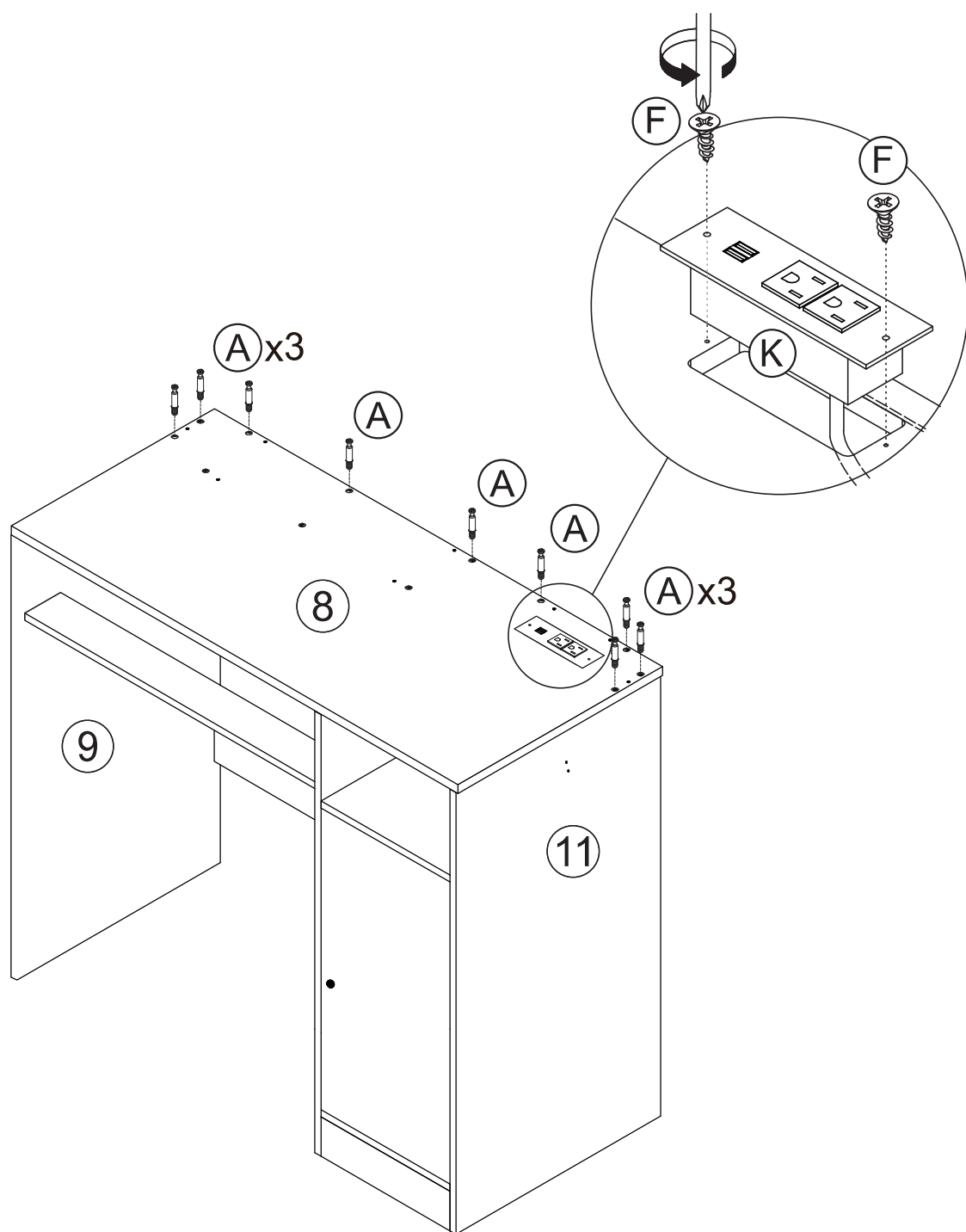
STEP 13. install the accessory (F)(H), insert the accessory (N) into the part (29), mount the accessory (G).



STEP 14. Install the door (29).



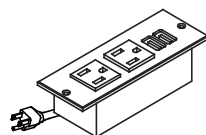
STEP 15: Fix the power outlet (K) to the top board (8) using the screws (F); screw (A) into the board (8).



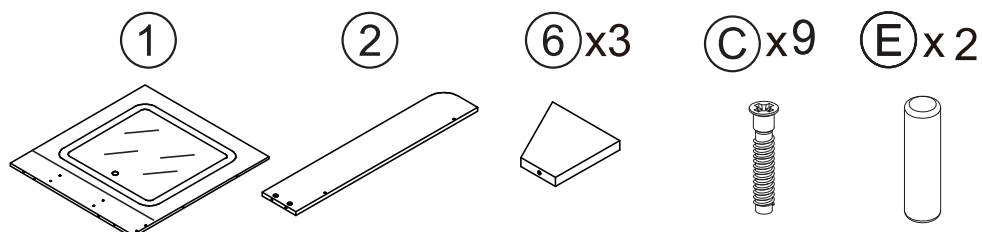
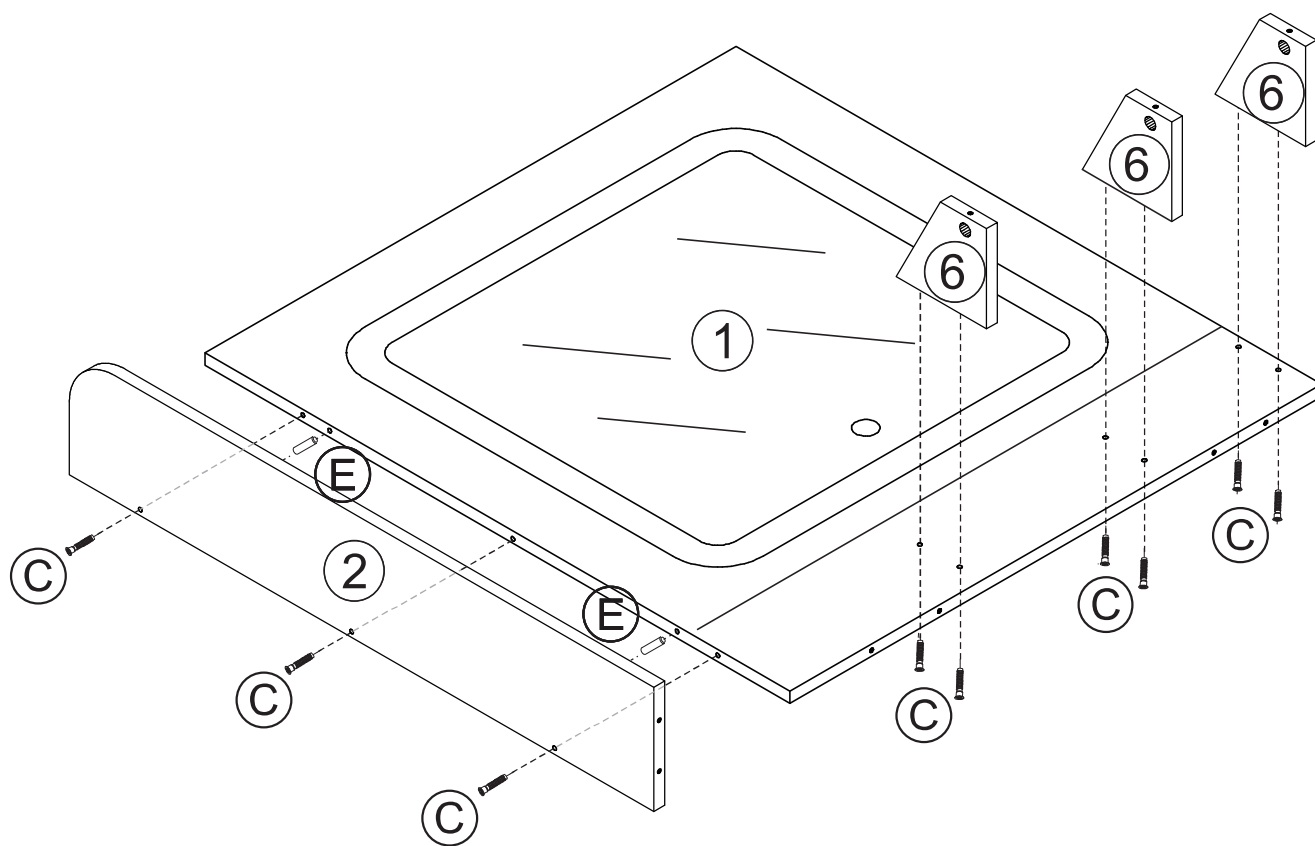
(A) x 9

(F) x 2

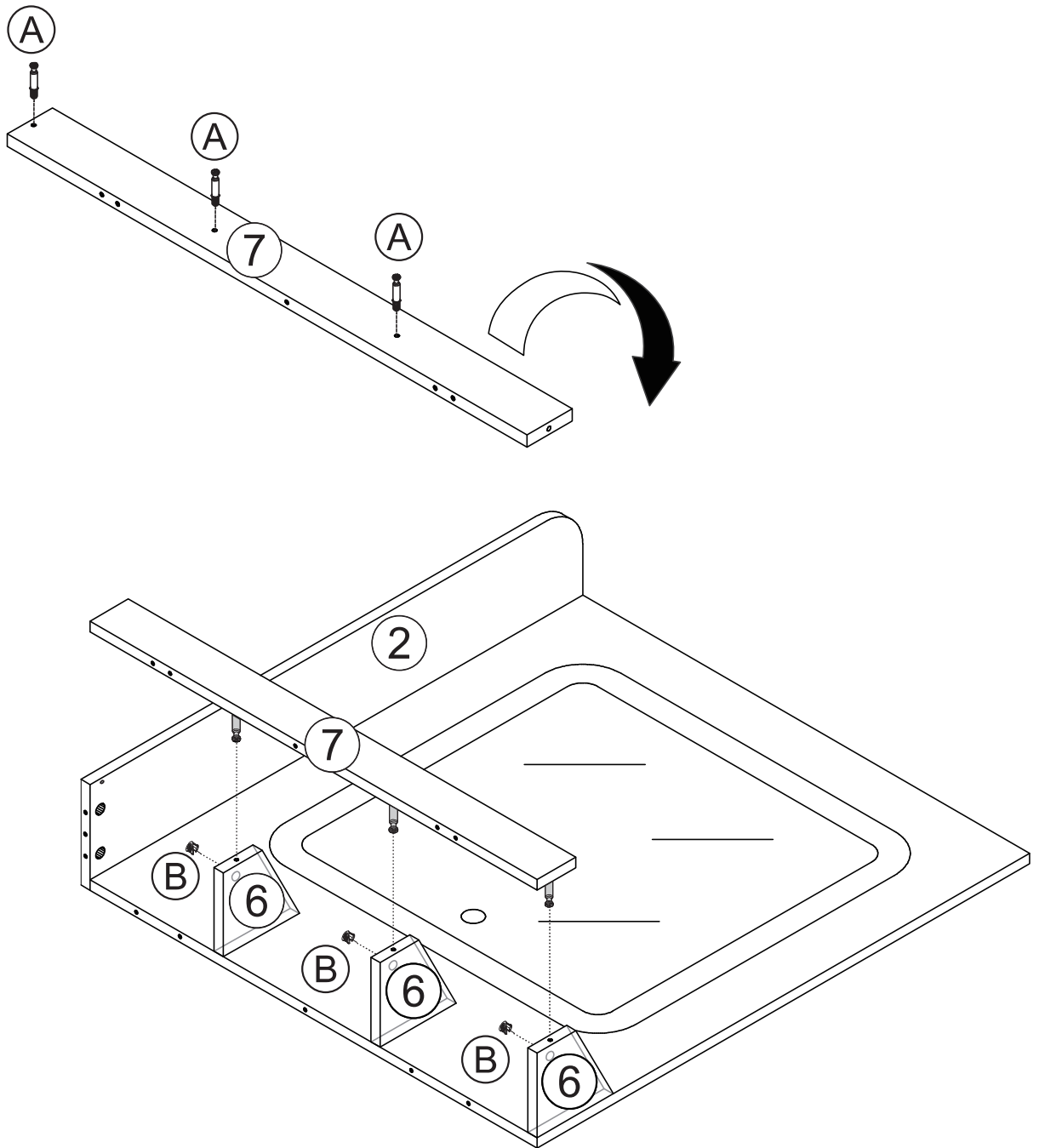
(K)



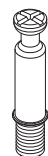
STEP 16. Fix the board (2) to the top board (1) using the screws (C);
Fix the partition boards (6) to the top board (1) using the screws (C).
Connect boards (2) and (1) with wood pin (E).



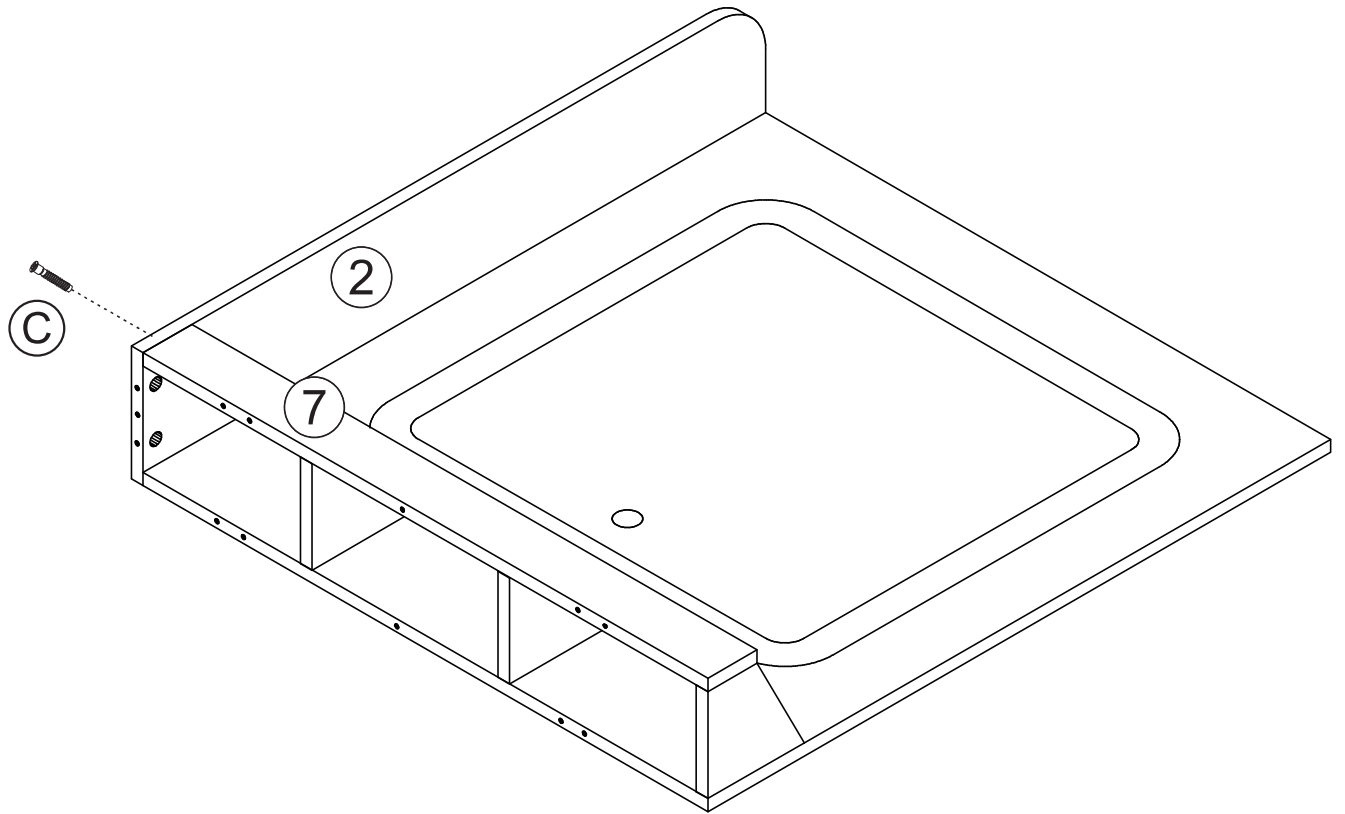
STEP 17. Firstly screw (A) into the board (7). Fix Board (7) onto boards (6). (Snap the screw (B) into partition board (6); tighten screw (B) to secure boards (6) and (7).)



(A) x3 (B) x3



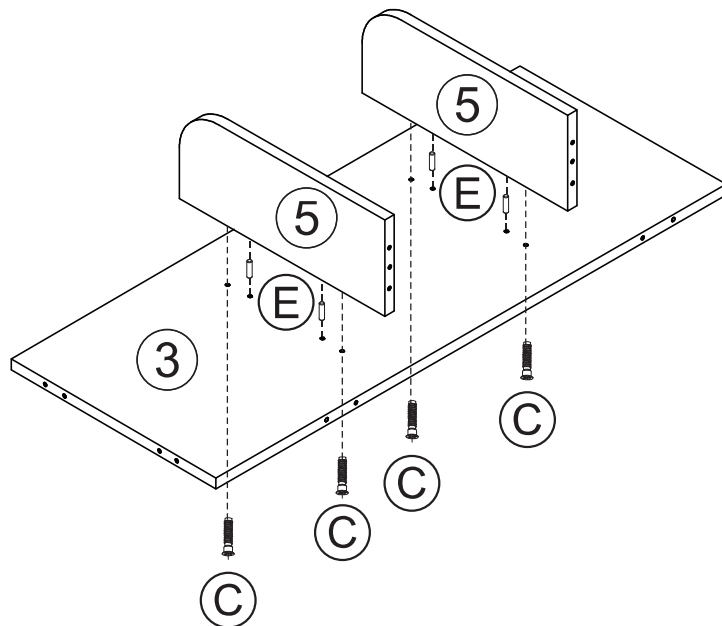
STEP 18. Fix the board ② and ⑦ using the screw ③.



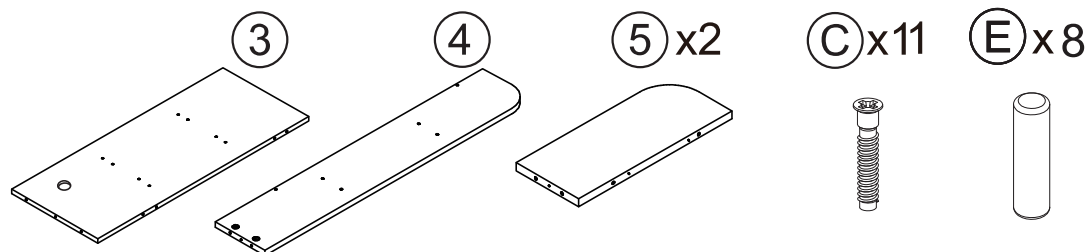
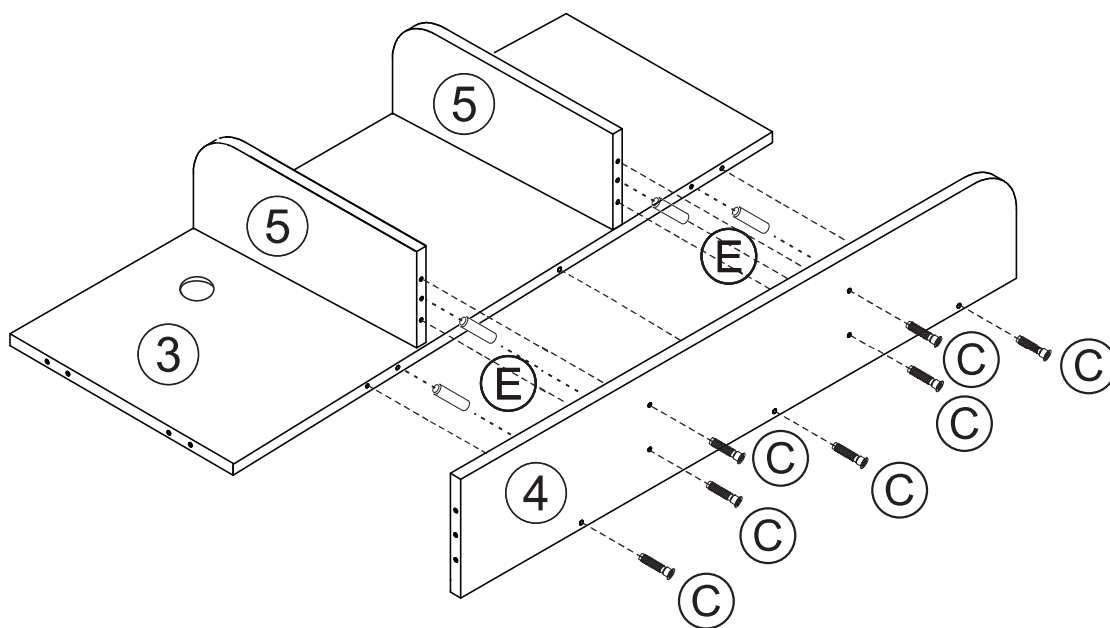
③ x1



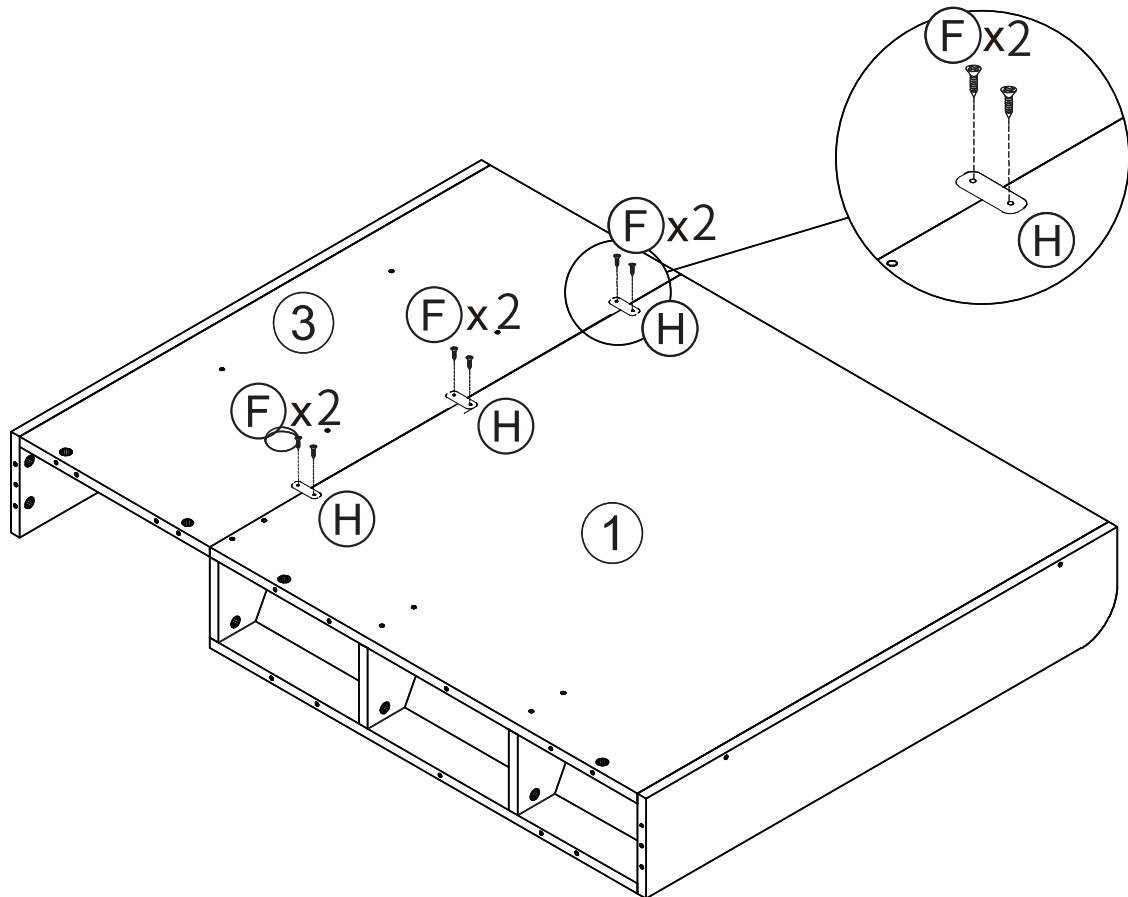
STEP 19. Fix the board ⑤ onto ③ using the screw ①. Connect boards ⑤ and ③ with wood pin ②.



STEP 20. Fix board ④ onto boards ③ and ⑤ using the screw ①. Connect boards ④ and ③ ⑤ with wood pin ②.



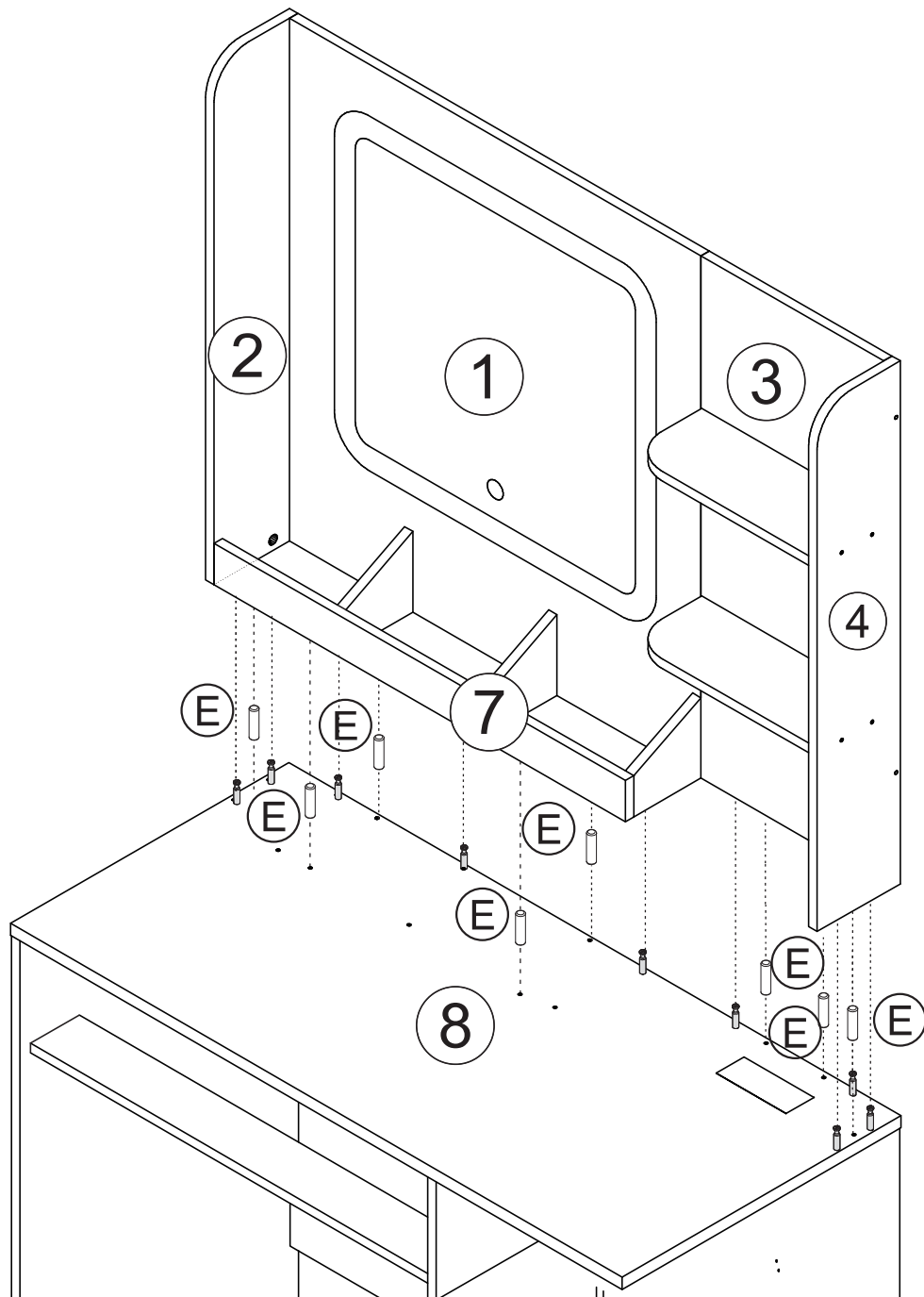
STEP 21. Fix the boards ① and ③ by iron piece ④ and screws ⑤.



④ x3 ⑤ x6



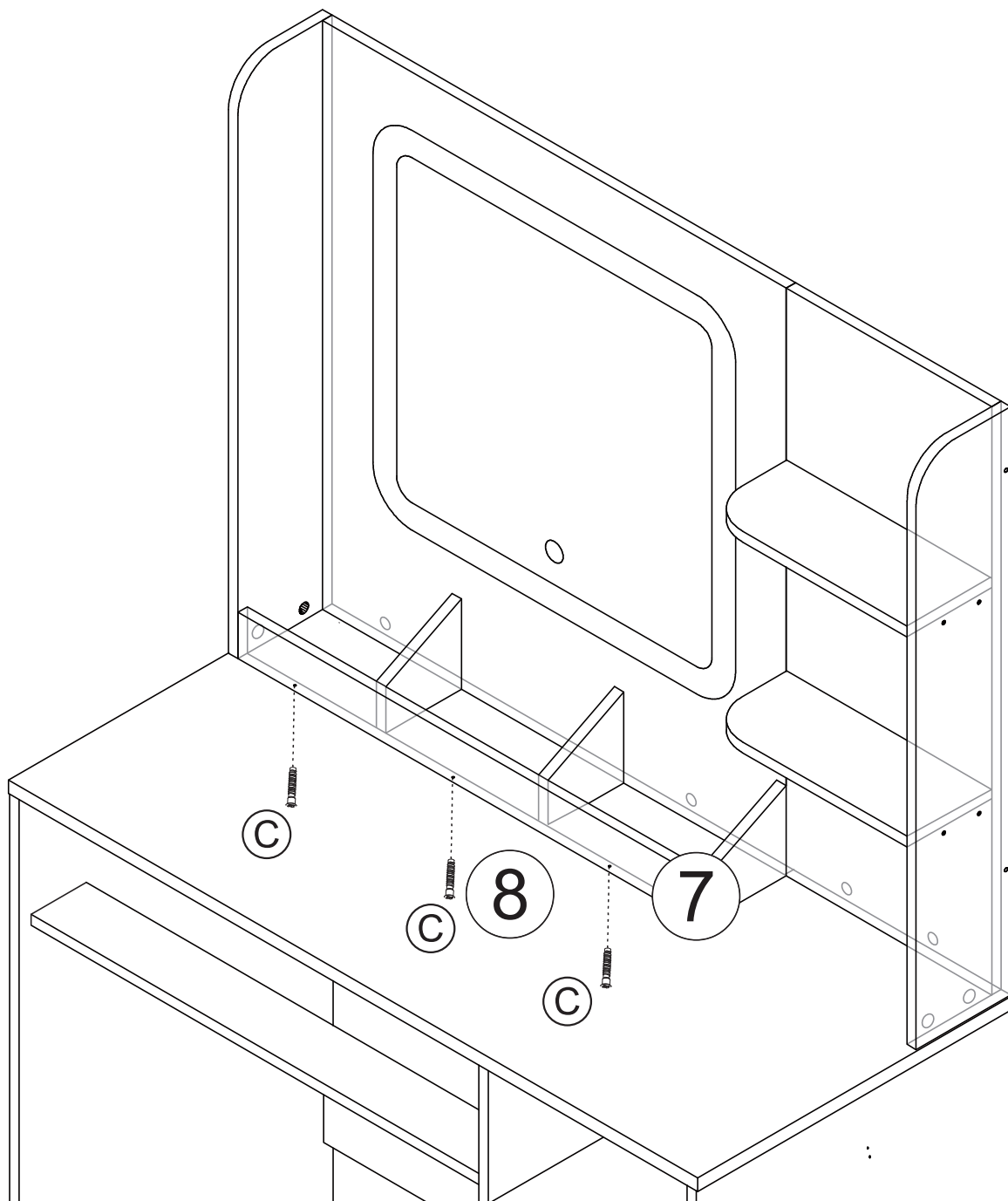
STEP 22. Connect top part board ⑧ and board ①②③④⑦ with wood pin ⑤



⑤ x 8



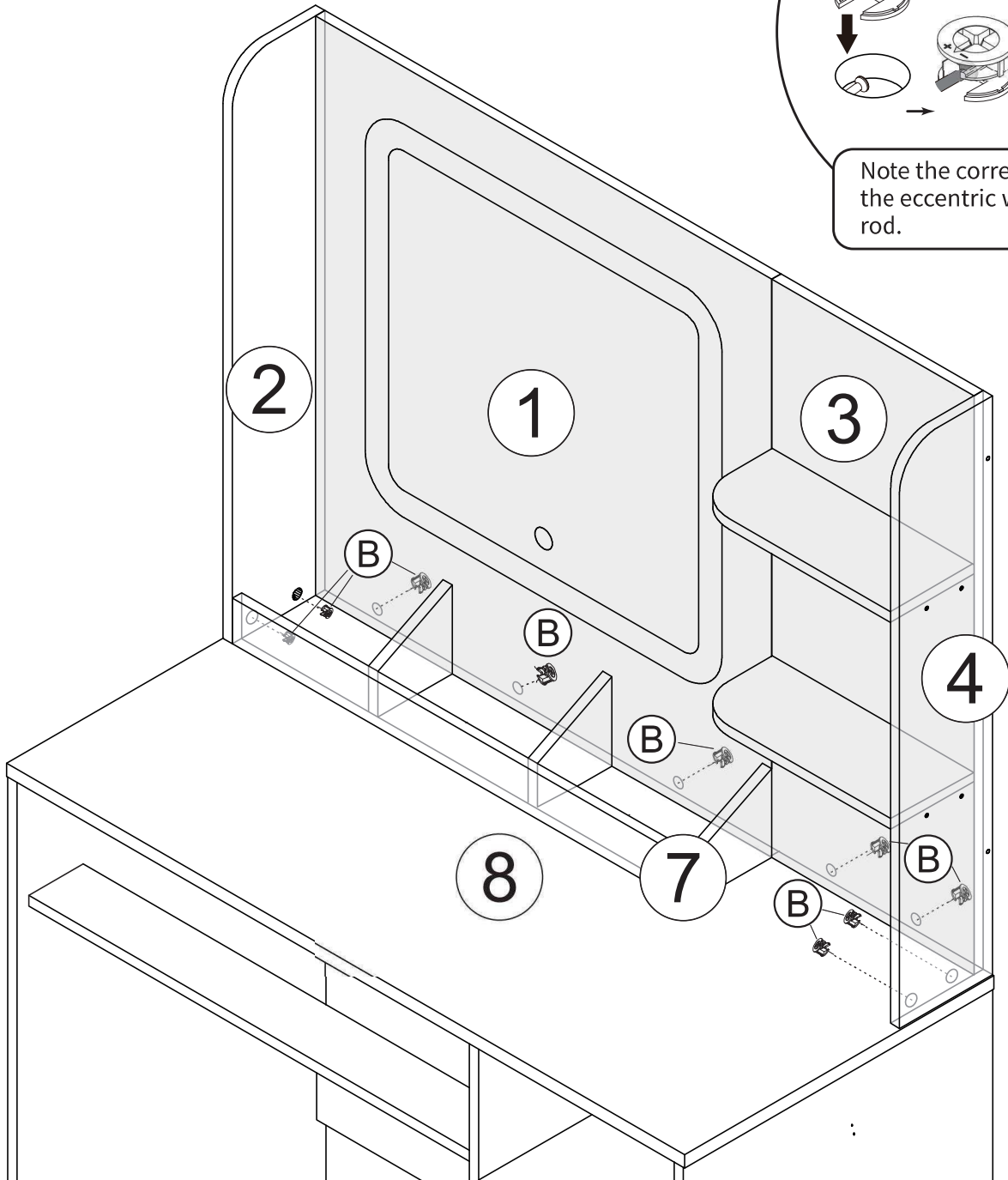
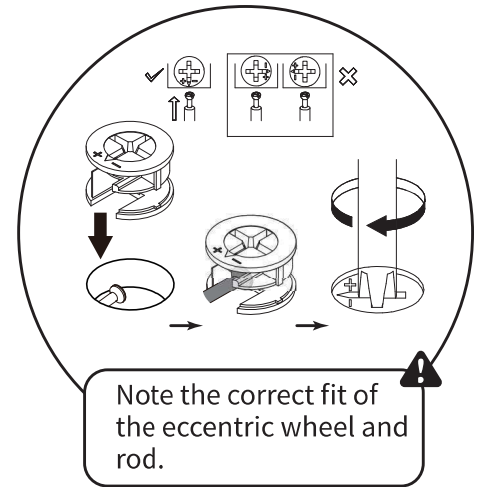
STEP 23. Fix the board ⑧ and ⑦ using the screw ③.



③ x 3



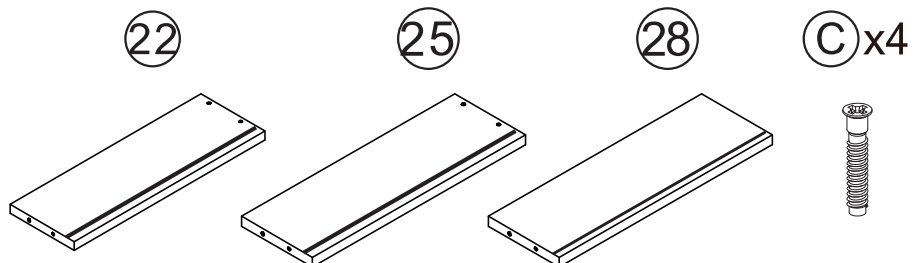
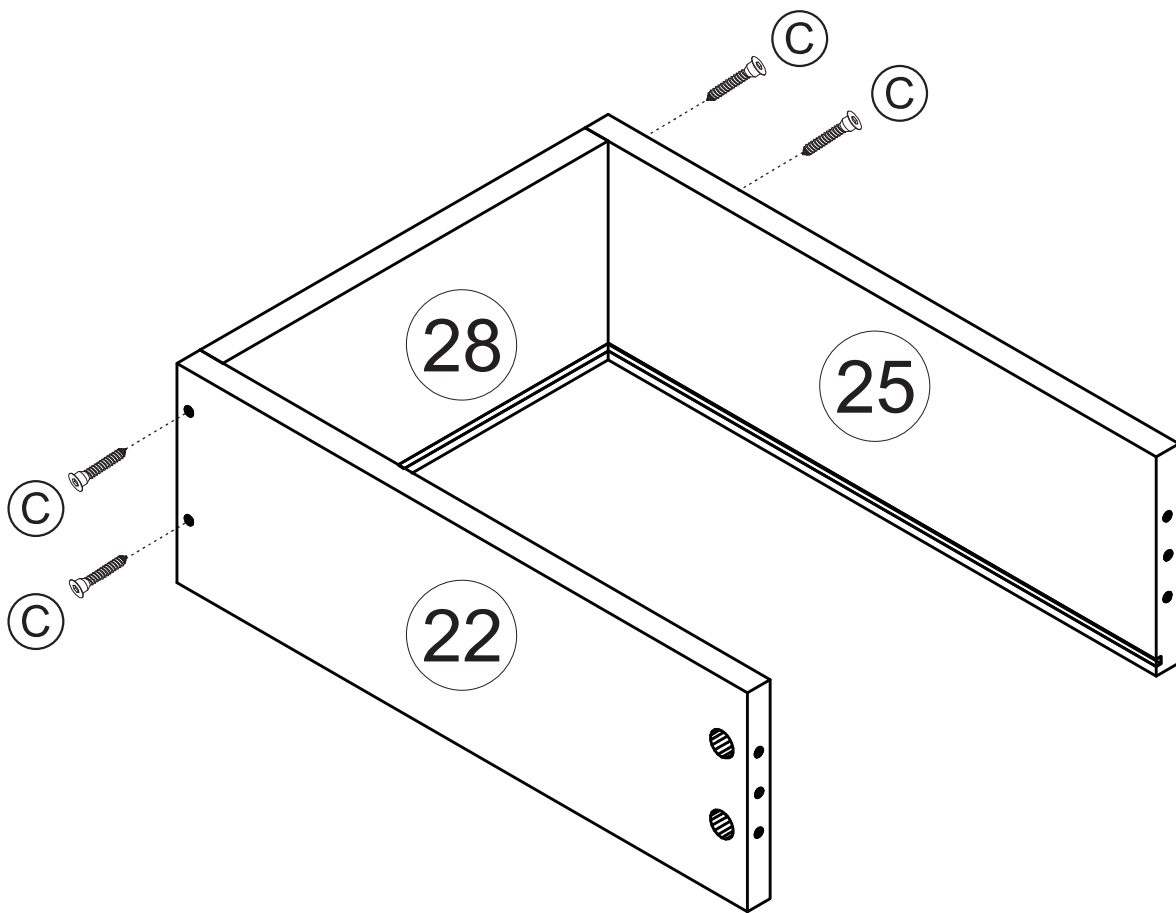
STEP 24. Snap screws (B) into board (1), (3), (4) and (2); tighten screws (B) to secure all boards.



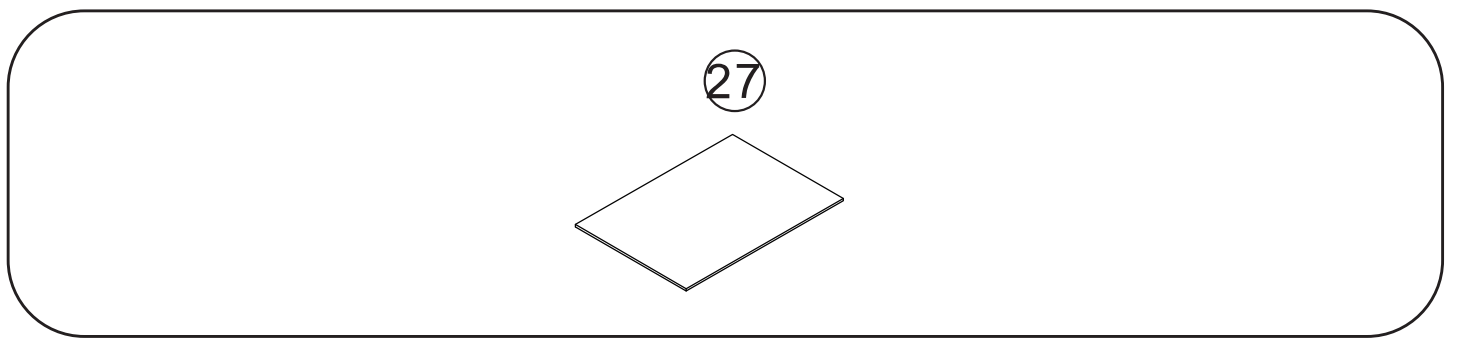
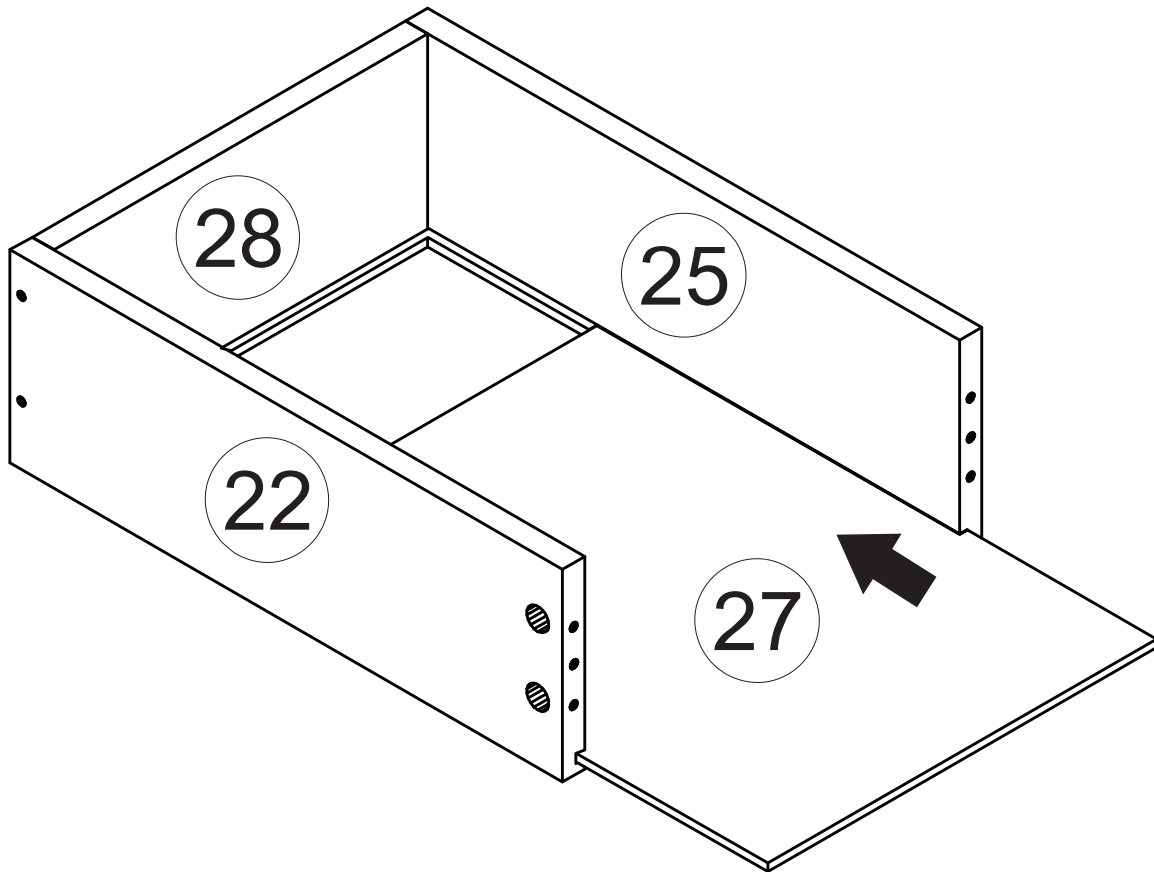
(B) x9



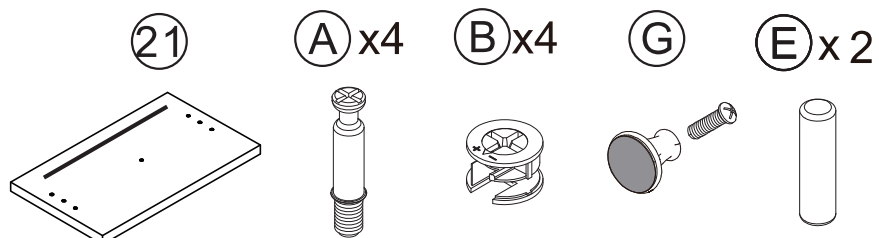
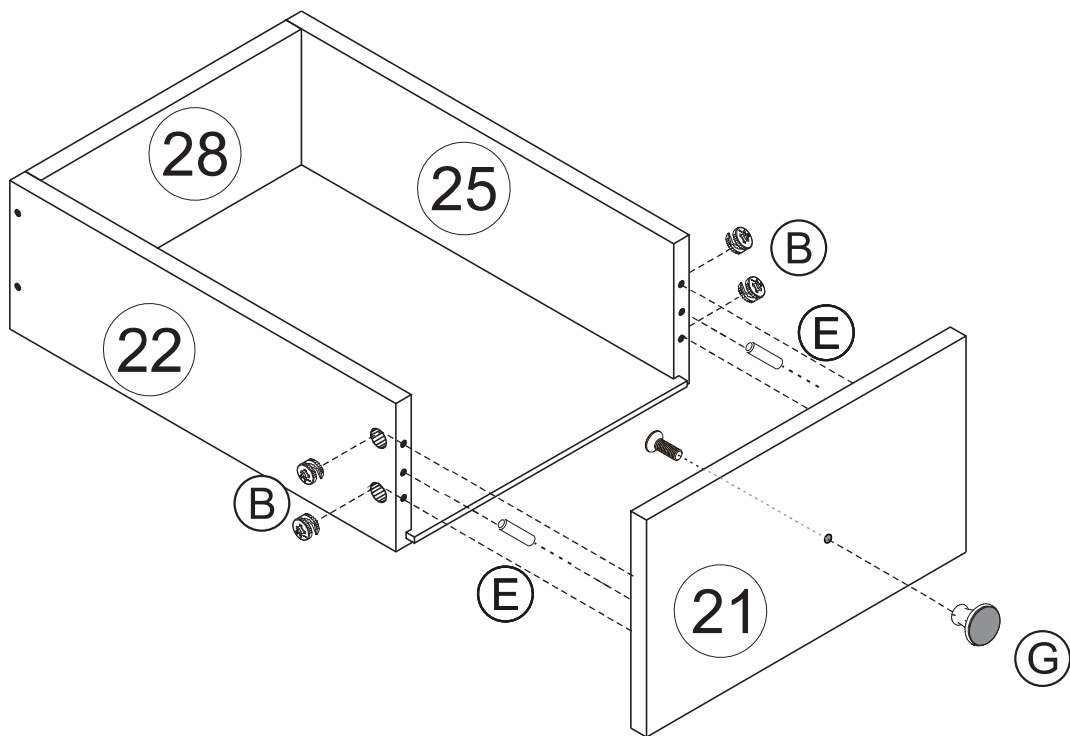
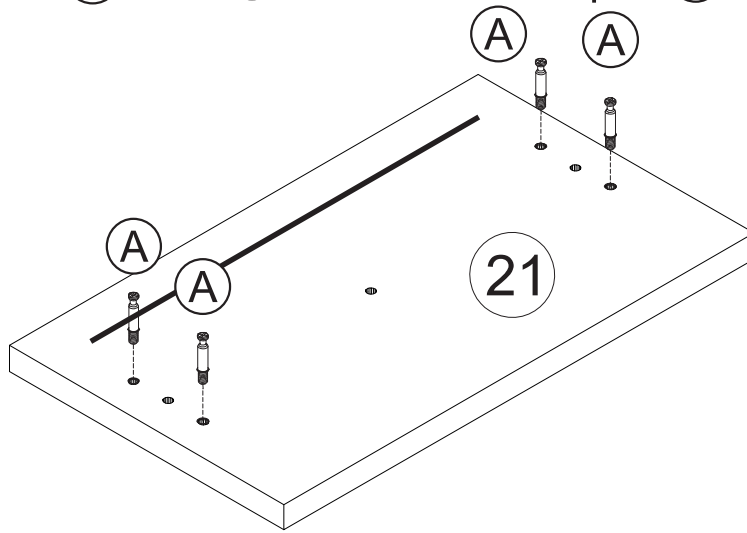
STEP 25. Fix boards 22, 25 and 28 with screws C.



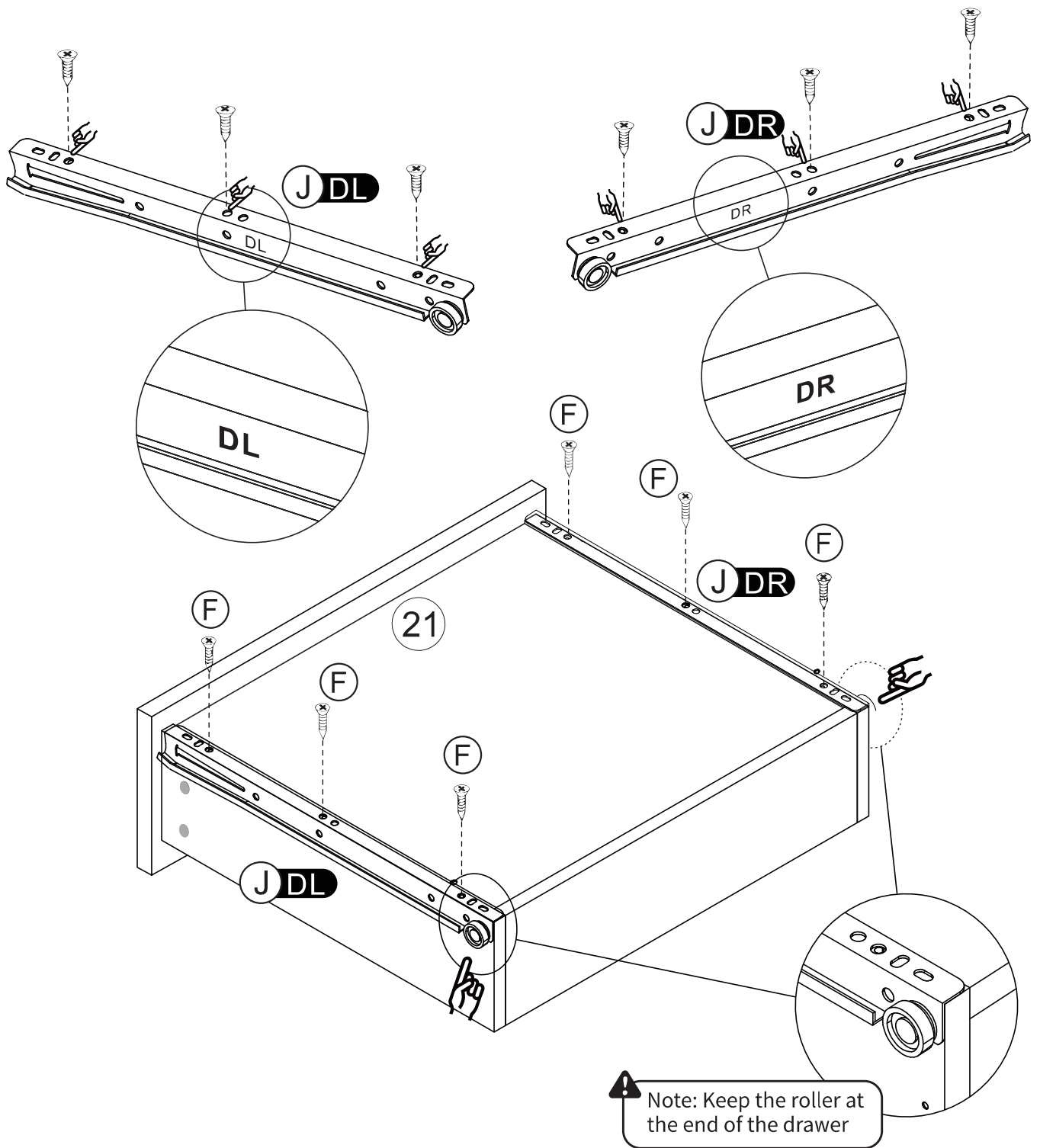
STEP 26. Insert the bottom board (27) into the slot.



STEP 27. Screw (A) into the board (21); fix the handle (G); snap the screw (B) into boards (22) and (25); tighten screw (B) to secure boards (21), (22) and (25). Connect boards (21) and (22) (25) with wood pin (E).



STEP 28. Fix 2 side rails (J)DL, (J)DR of the small drawer with screws (F).



(F) x6



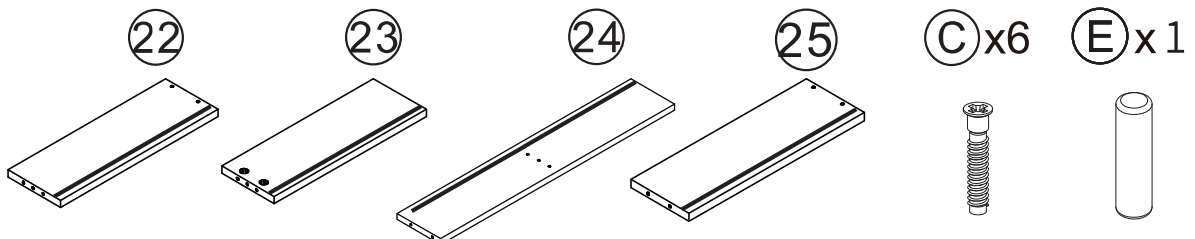
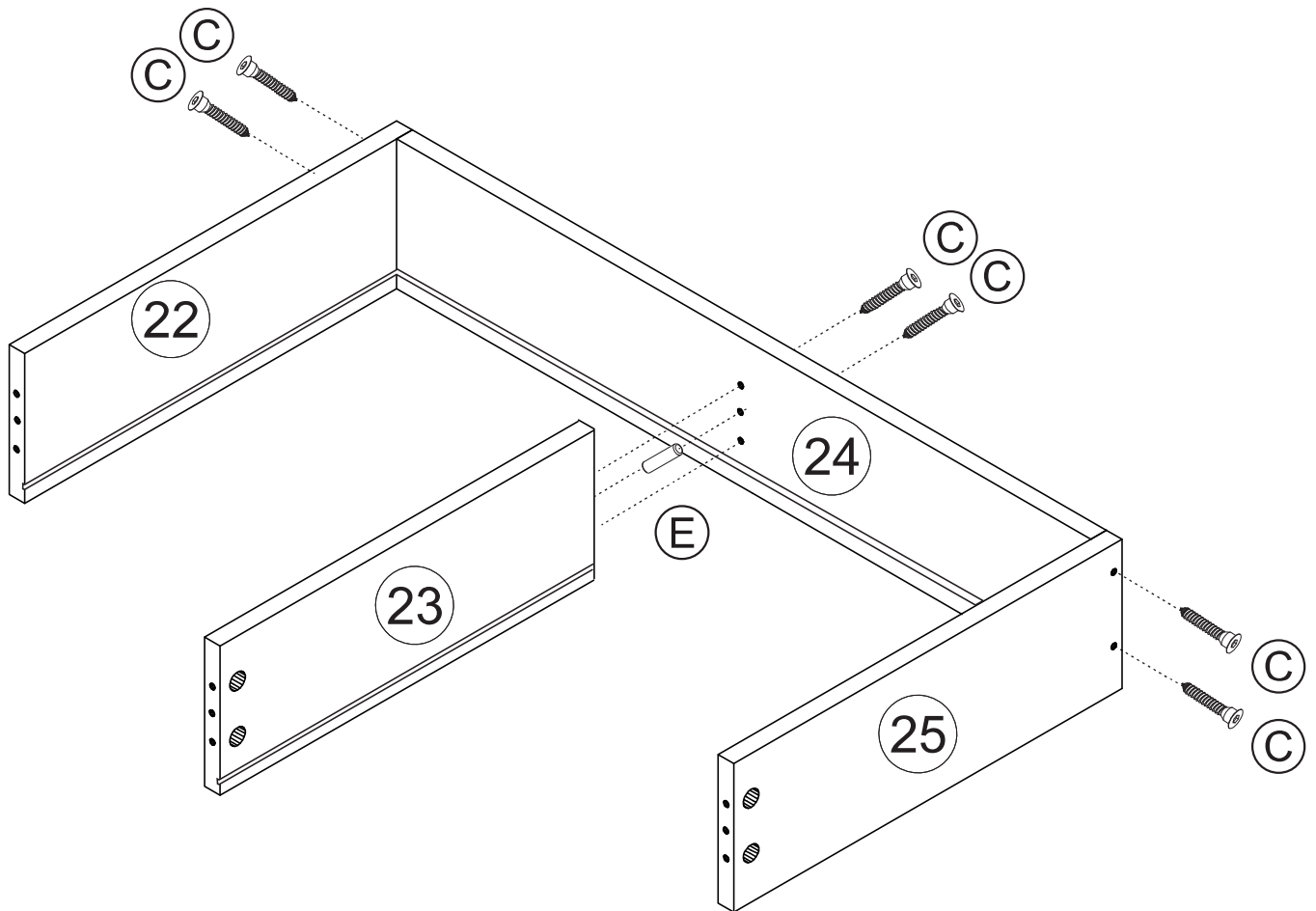
(J)



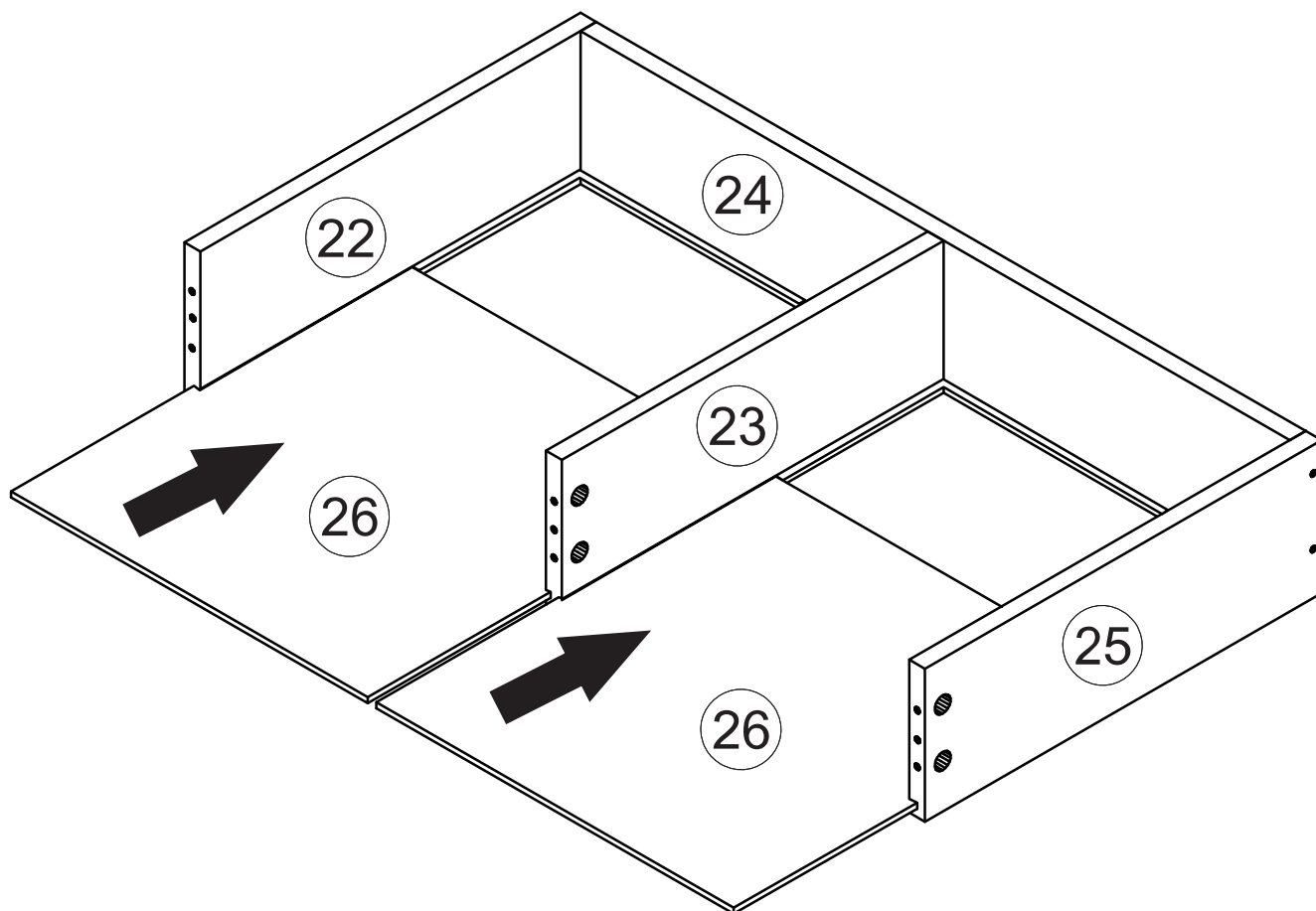
DR

DL

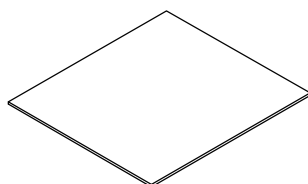
STEP 29. Fix boards ②②, ②③, ②⑤ and ②④ with screws ①③.
Connect boards ②④ and ②③ with wood pin ①⑤.



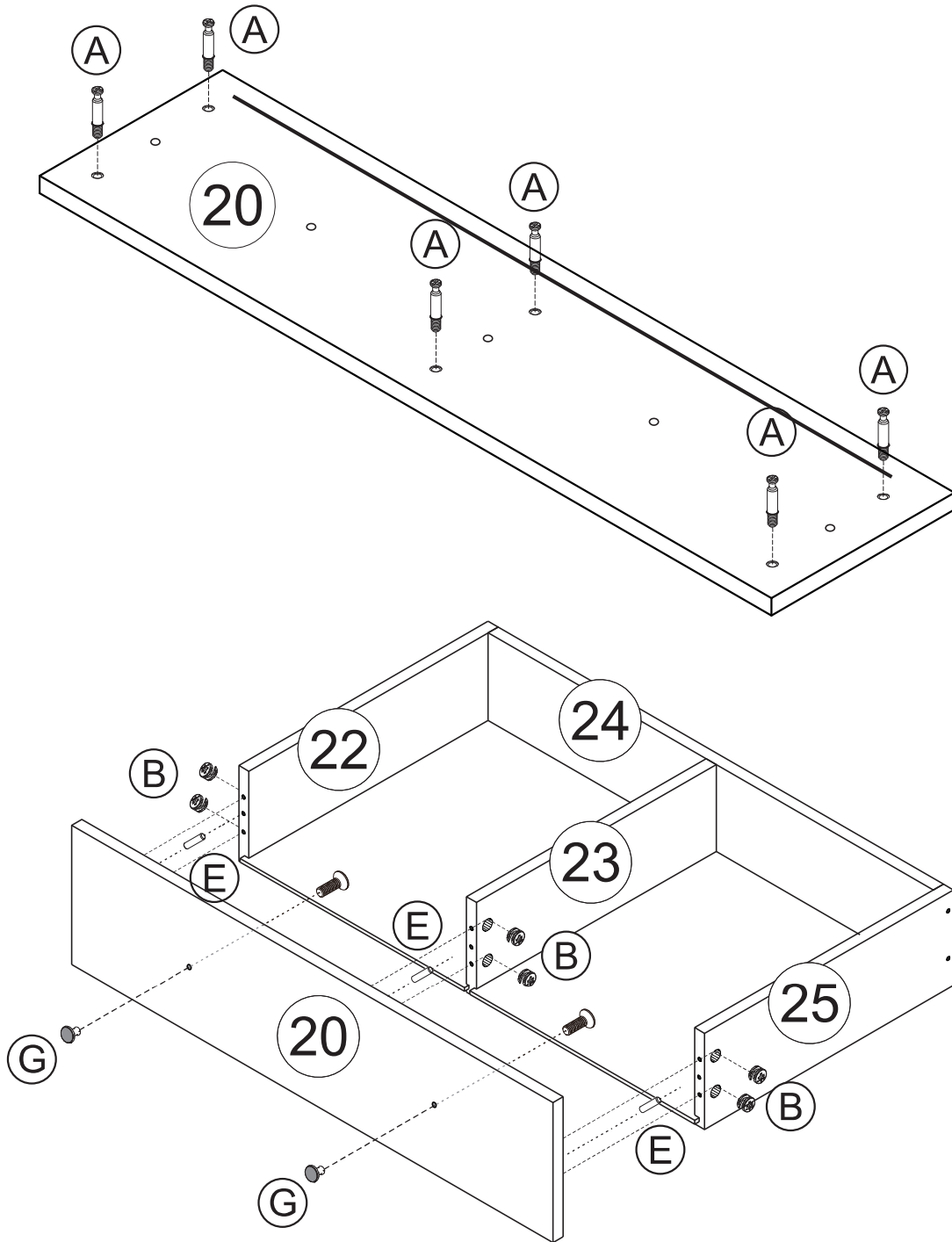
STEP 30. Insert the bottom boards (26) into the slot.



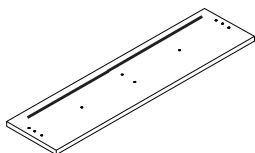
(26) x2



STEP 31. Screw (A) into board (20); fix the handle (G); snap screws (B) into board (22), (23) and (25); tighten screws (B) to secure all boards. Connect boards (20) and (22), (23), (25) with wood pin (E).



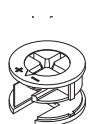
(20)



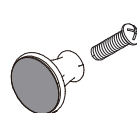
(A) x6



(B) x6



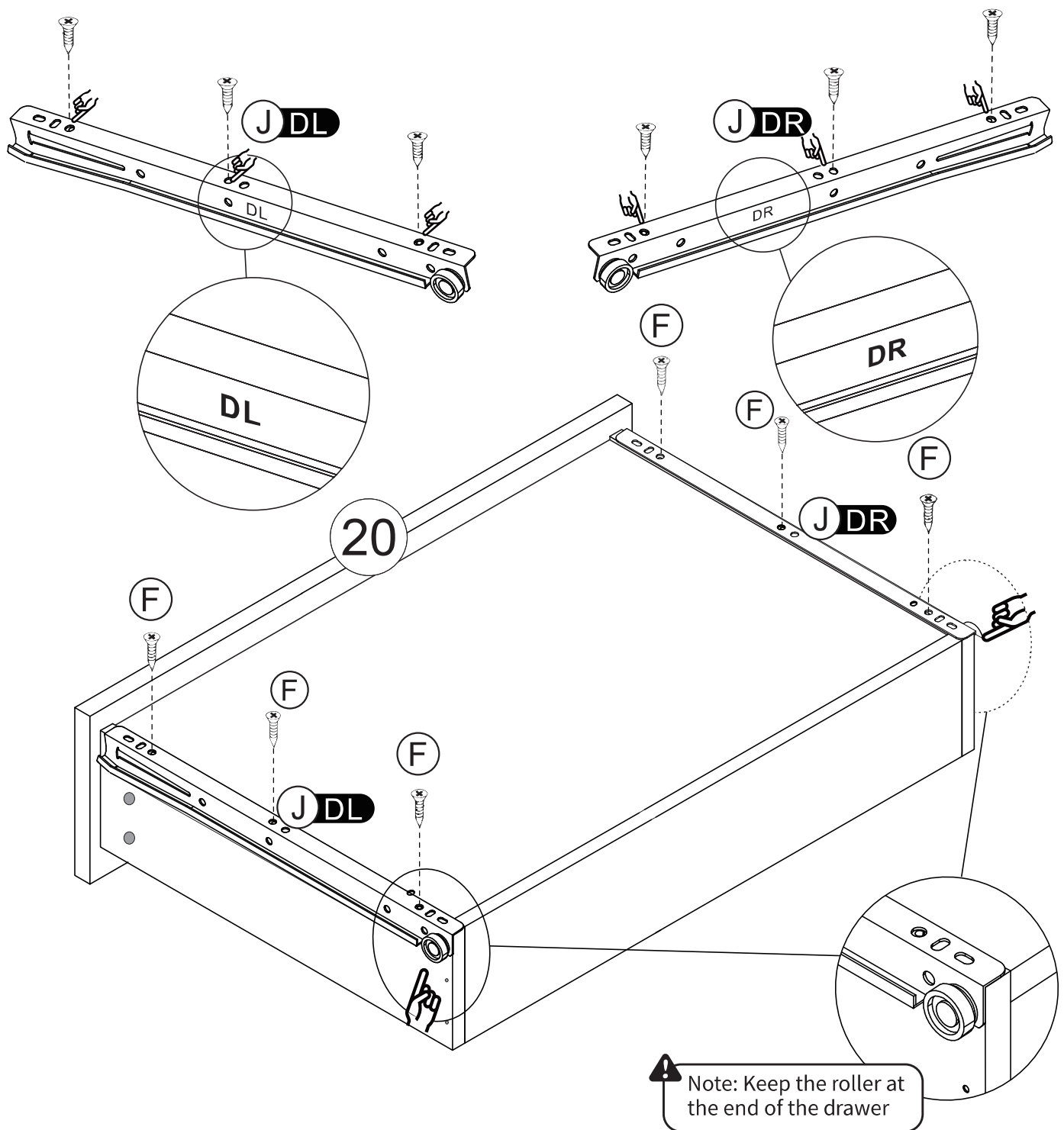
(G) x2



(E) x3



STEP 32. Fix 2 side rails (J) DL, (J) DR of the large drawer with screws (F)



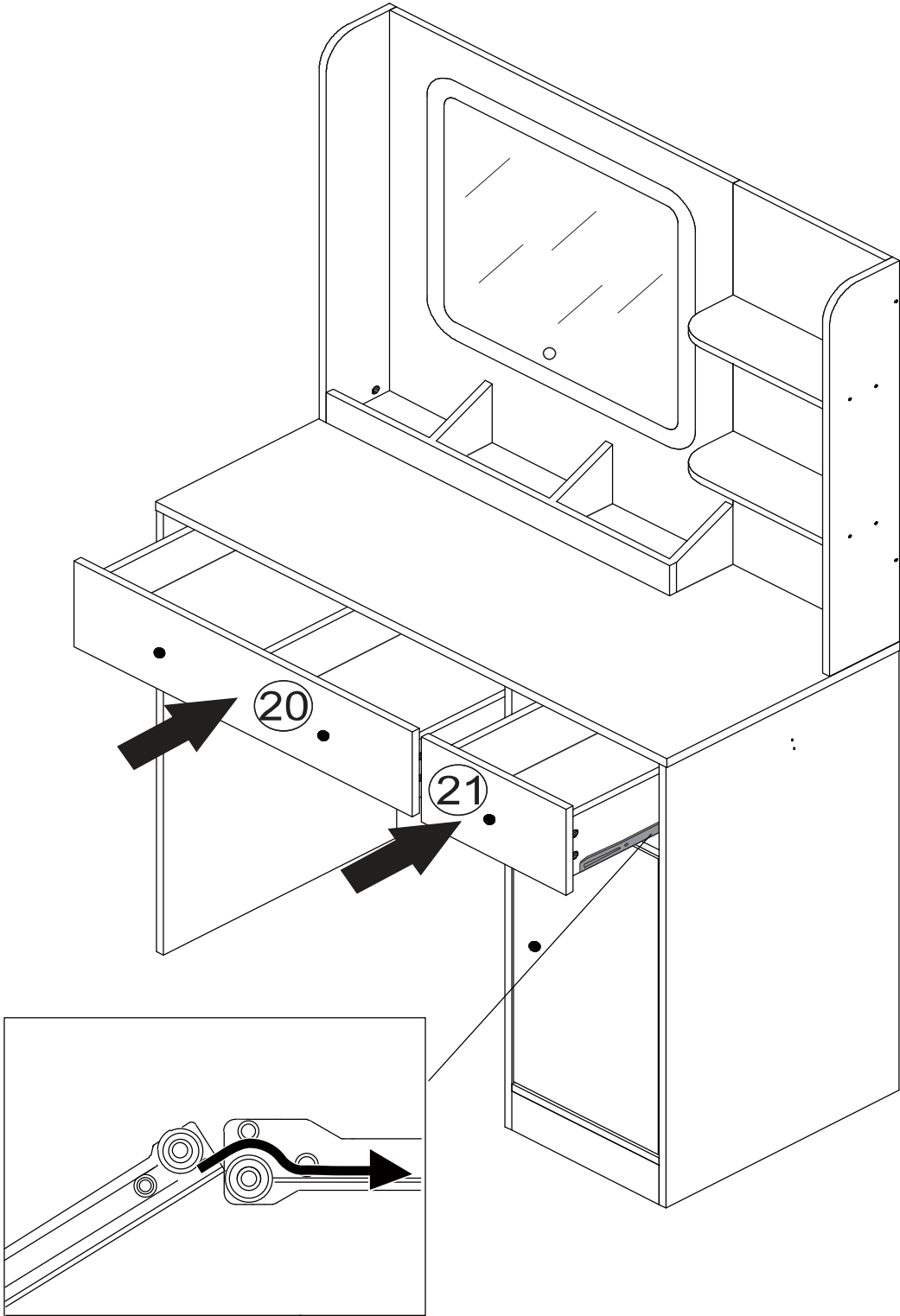
(F) x6

(J)

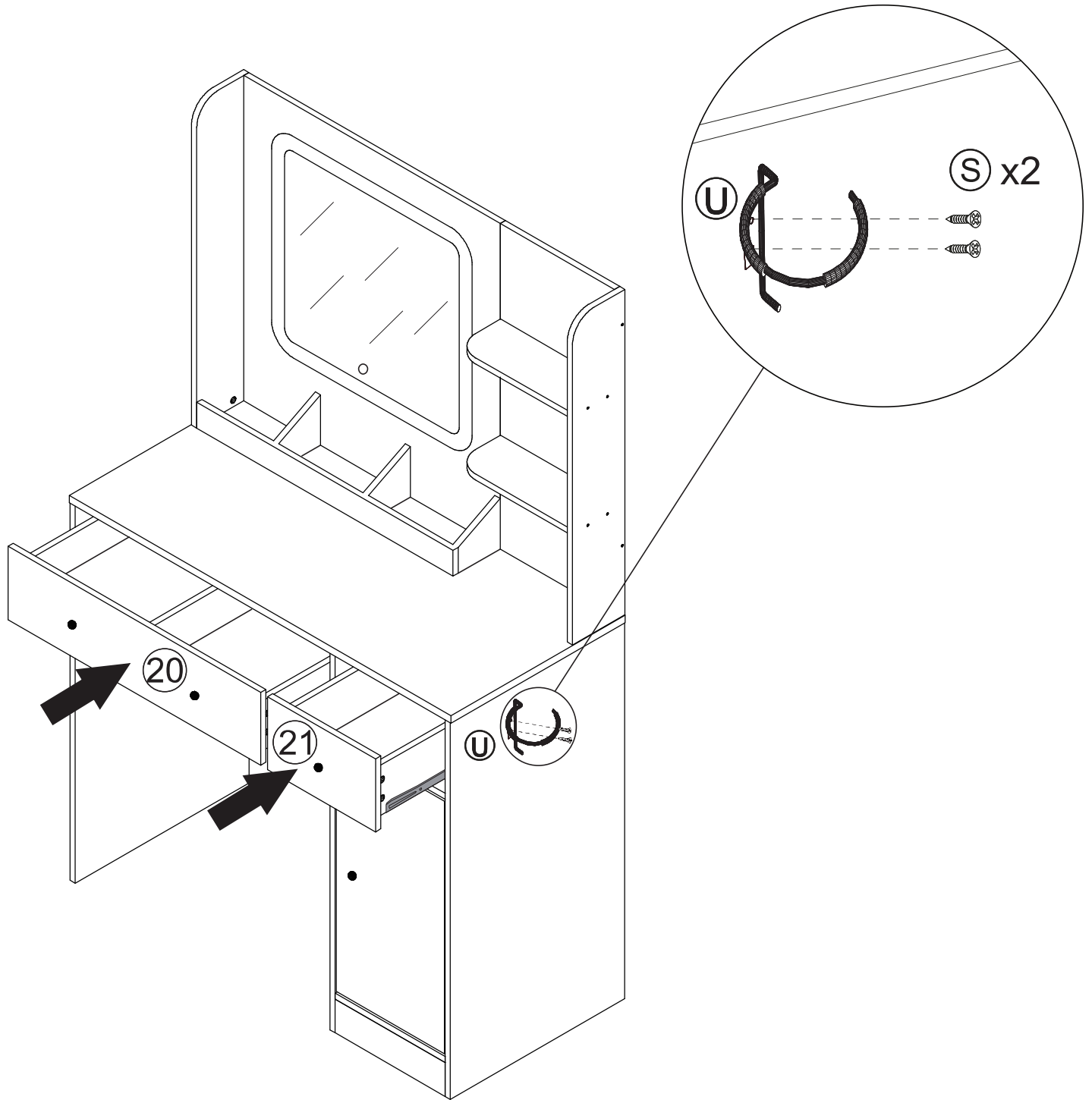


DR
DL

STEP 33. Put in 2 drawers ②0 and ②1



STEP 34. Put in the drawer; Install the hair dryer holder on left or right side panel as your needs and secure its with screws (S).

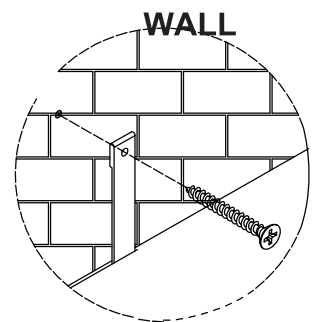
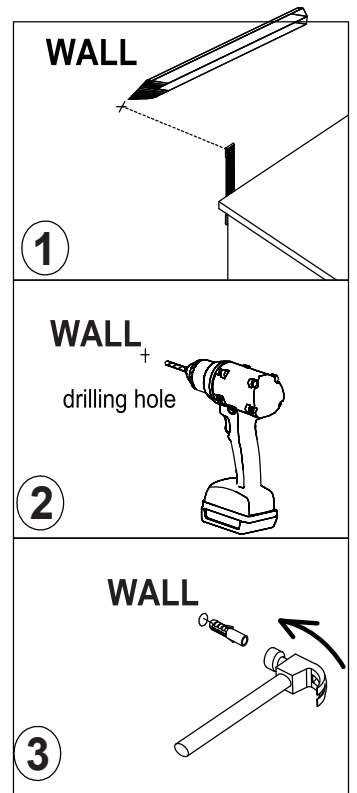
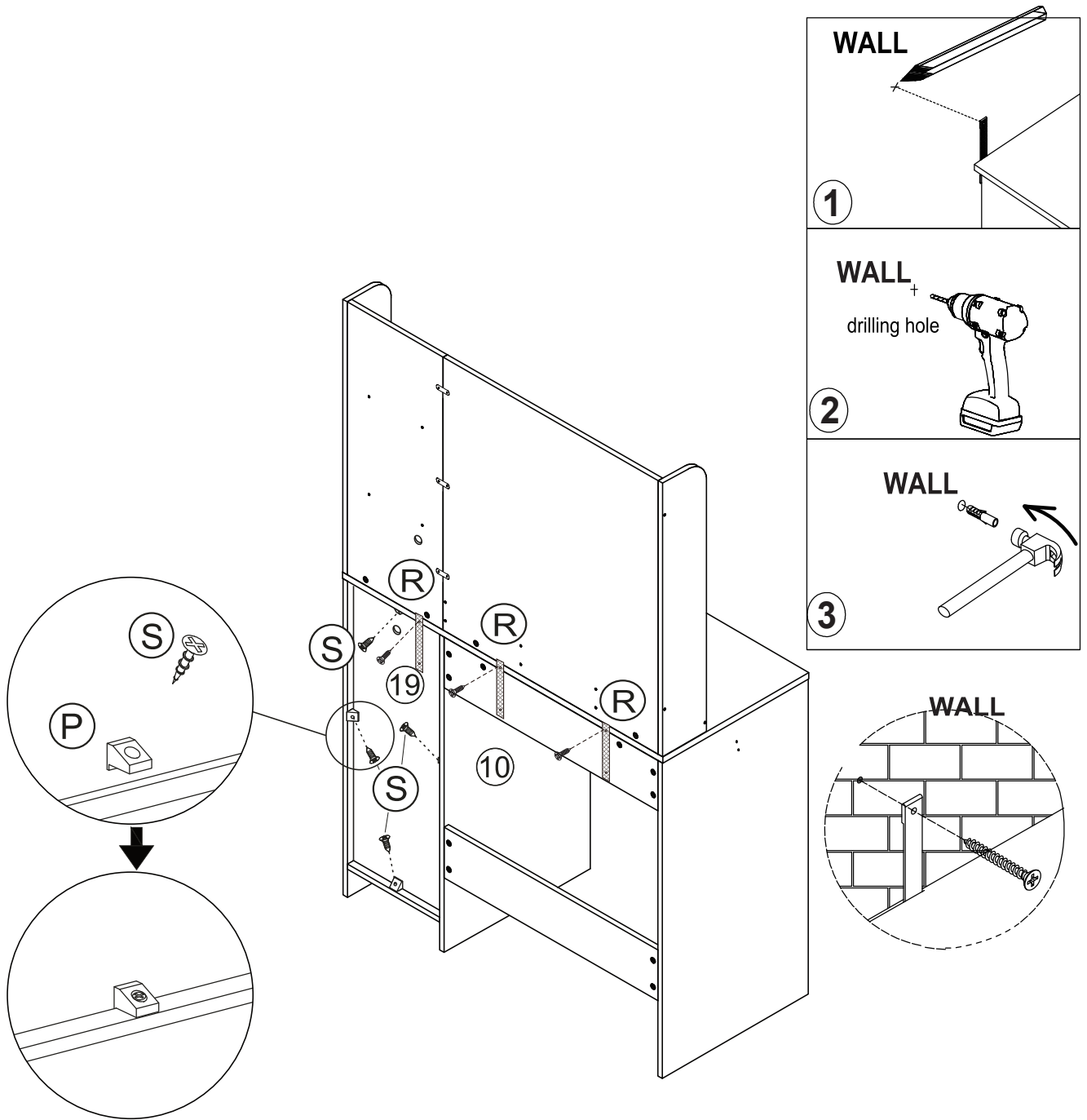


U x1

S x2



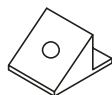
STEP 35. Secure the back panel buckle (P) with screws (S).
 (R) The anti-tipping device should be installed inside the dresser.



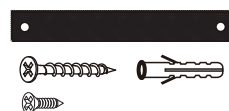
(S) x4



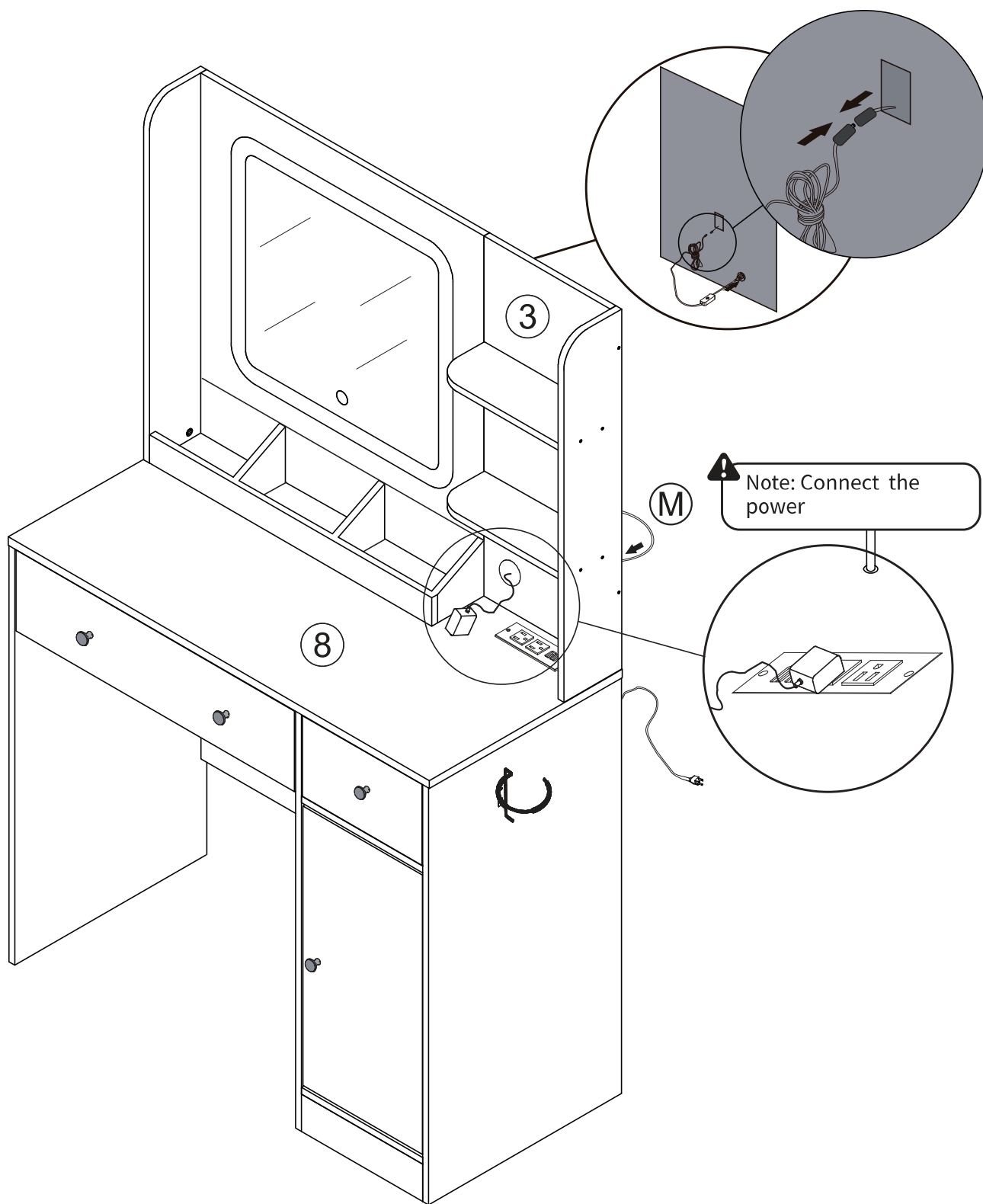
(P) x4



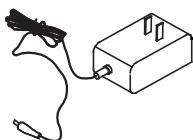
(R) x3



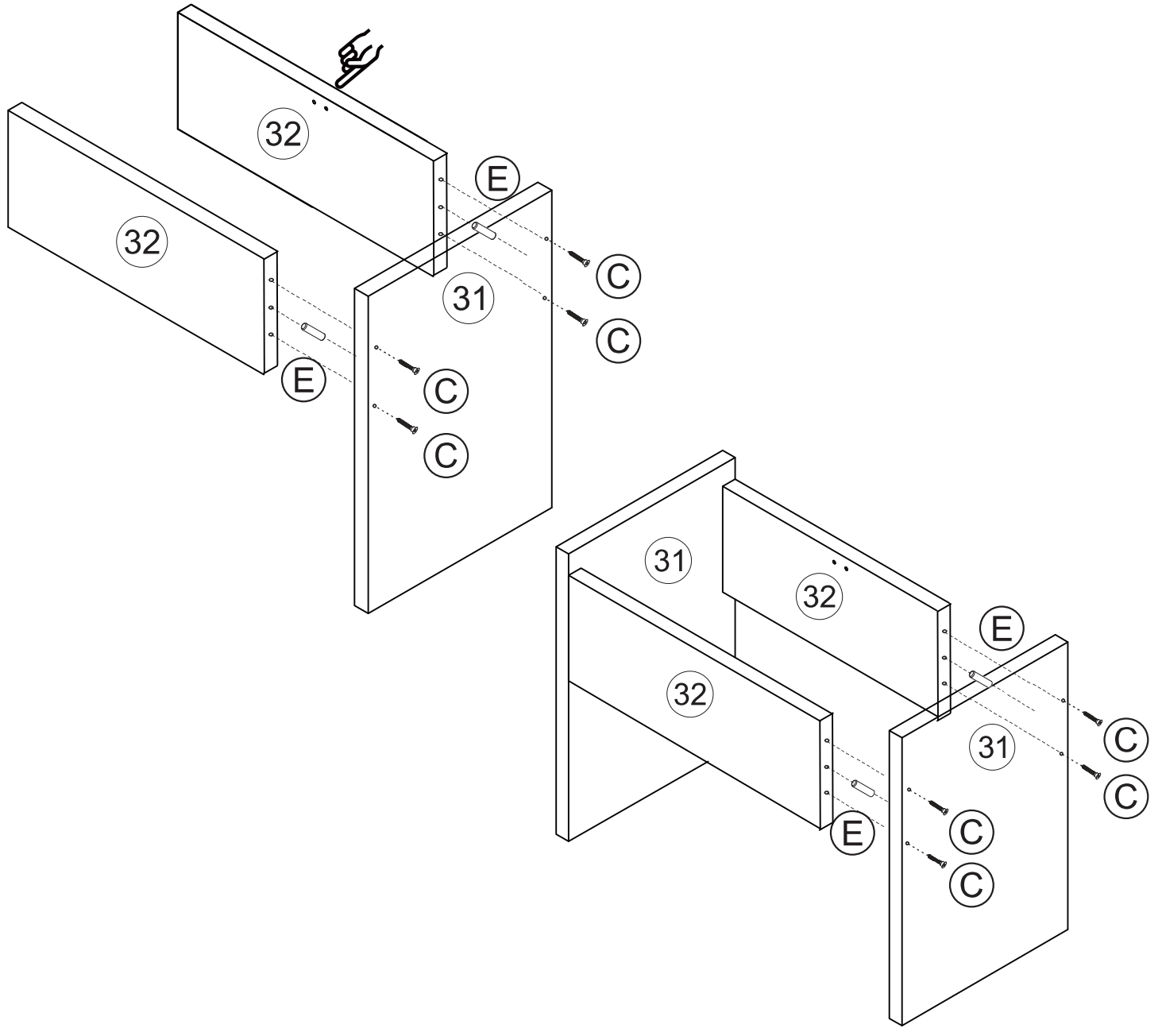
STEP 36. Install the light strip (M) of the mirror.



(M)



STEP 37. Fix boards ③① and ③② with screws ③. Connect boards ③① and ③② with wood pin ④.

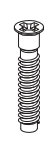
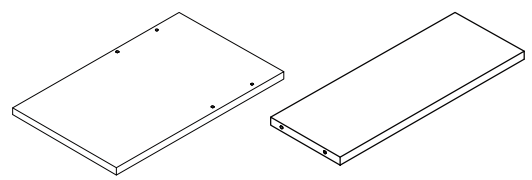


③①x2

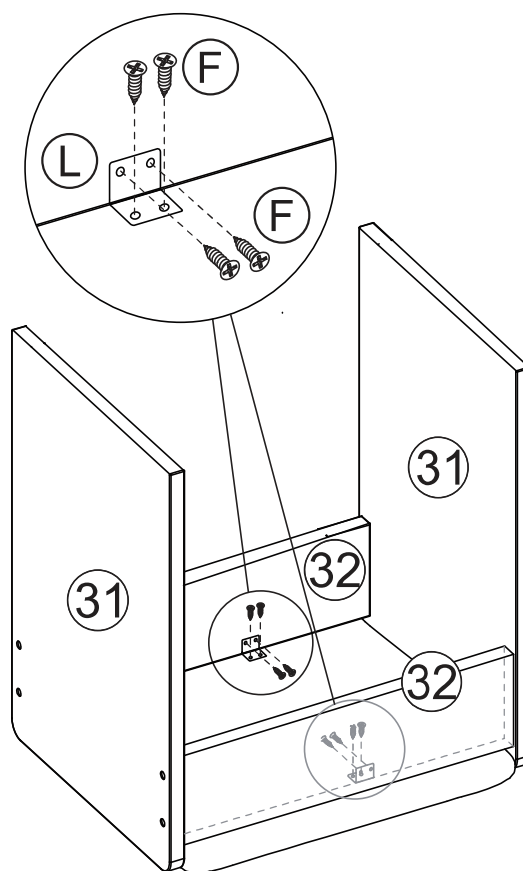
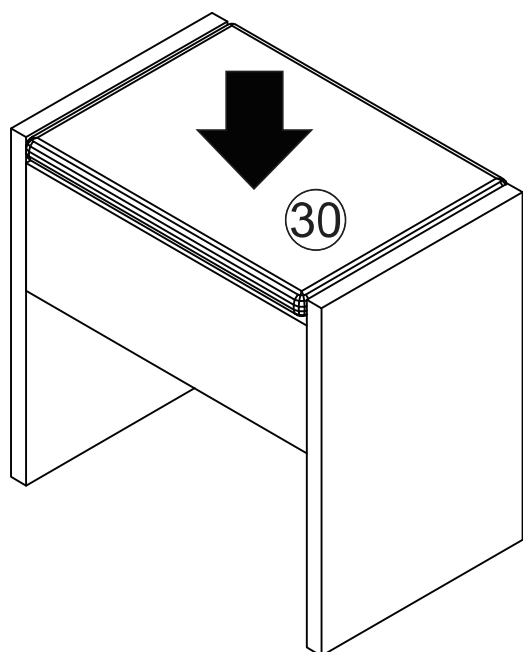
③②x2

③x8

④x4



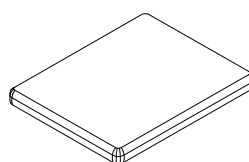
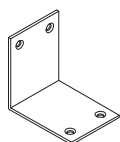
STEP 38. Place the seat cushion (30). Fix the hinge (L) with the board (32) and cushion (30) using the screws (F).



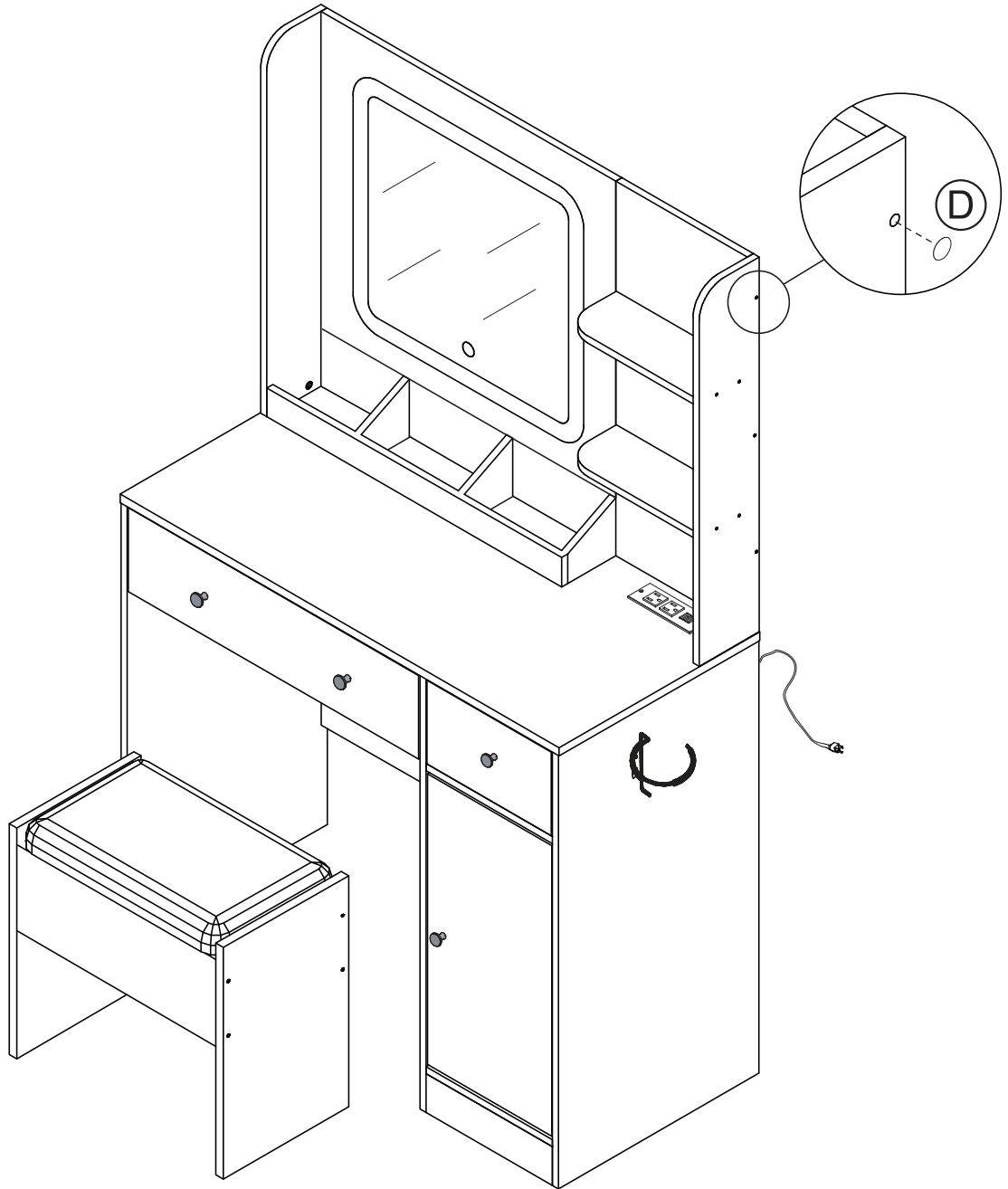
(F) x8

(L) x2

(30)



STEP 39. If you don't like the holes displayed on the outside, you can stick the hole sticker (D).



(D)



Customer Service

1-Year Warranty

We guarantee your product is free from defects in product material and workmanship for one(1)year starting from the date of purchase during normal use of household conditions. If your appliance fails within the limited warranty period, we will arrange a new replacement free of charge, and cover all the shipping costs.

Quick Response within 24 Hours

If you are still unable to resolve the issue you are experiencing, please contact us immediately at our support Email: **support@korfile.com**

It doesn't matter if the product has been installed, our customer support team will respond within 24 hours and assist you quickly and efficiently.

The most efficient way to confirm your problem with us is to attach a video or picture illustrating your product issue.

Problems You May Encounter

PART	PROBLEM	SOLUTION
Whole Product	Parts are missing, defective or having wrong parts in package.	You can contact us via Amazon, and we will get back to you within 24 hours. Or, you can reach US via after-sales Email: support@korfile.com
	Encountering non-human caused damage during usage.	If the product is damaged due to non-human causes, please keep the product and send us photos of it. We will ascertain the cause of the product damage within 48 hours and provide you with a satisfactory solution.
Table Surface	Board Surface is broken, scratched or lack of some screw holes.	You can contact us via Amazon, and we will get back to you within 24 hours. Or, you can reach US via after-sales email: support@korfile.com
	The screw holes that on the board and steel frame don't line up.	1.Please tighten the screws on the board by 70%, do not tighten completely. 2.Adjusting board and steel frame until the screw holes are lined up,then tighten all the screws.
	The desk board is uneven or not tight that has gaps after being assembled.	You can contact us via Amazon, and we will get back to you within 24 hours. Or, you can reach US via after-sales email: support@korfile.com
Steel Frame	The steel frame is bent, broken, painted, rusted or damaged.	You can contact us via Amazon, and we will get back to you within 24 hours. Or, you can reach US via after-sales email: support@korfile.com
	The table is unstable after being assembled.	1.Check if the screws are tightened. 2.Read through out the manual, check are there any parts insalled incorrectly or missing assembled. 3.If your problem still are not be solved,please feel free to contact us.

If you can't finish the installation , please feel free to contact us via Amazon or Email: **support@korfile.com**