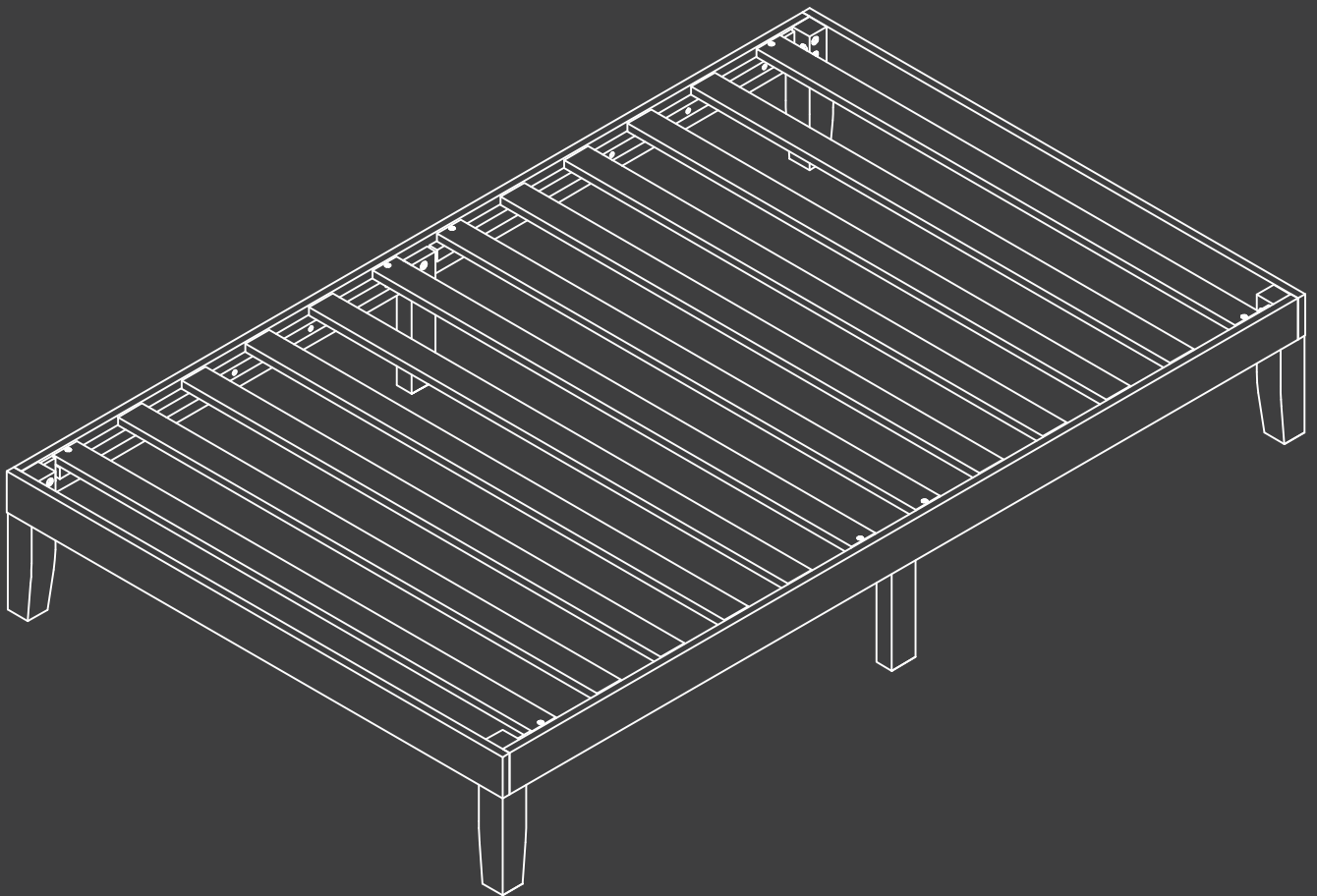
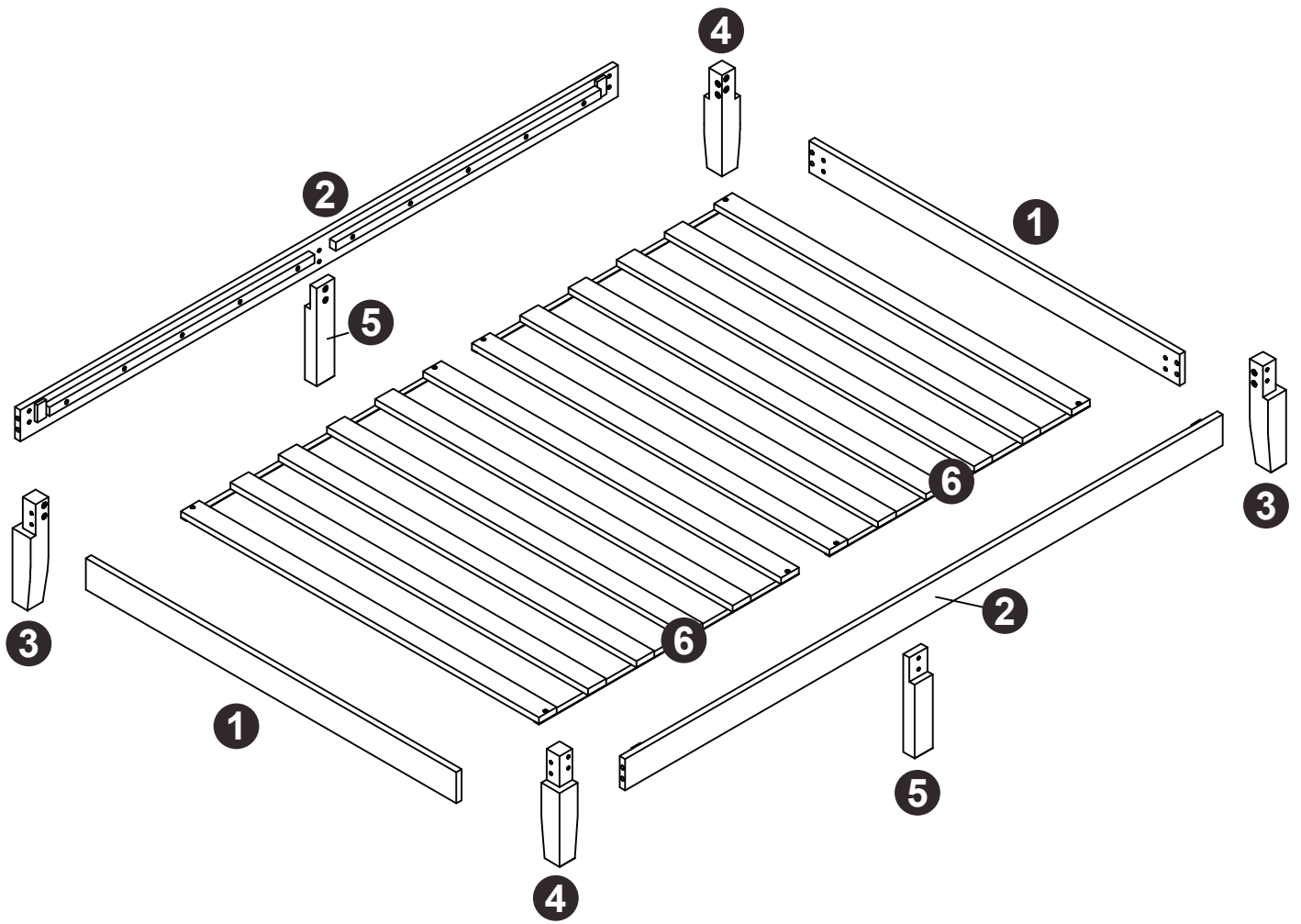


Bed Frame

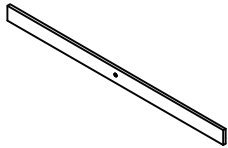
Instruction Manual





1 Parts List

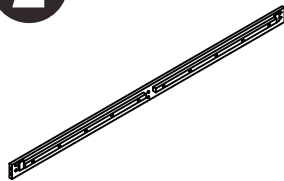
1



x2

Rear Panel

2



x2

Side Panel

3



x2

Bed Feet

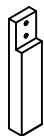
4



x2

Bed Feet

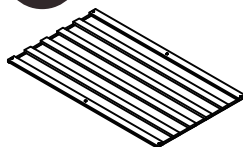
5



x2

Mid-side Feet

6



x2

Bed Slats

2 Hardware

A



x8

Phillips screw
Φ8*4*30mm

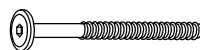
B



x4

Hex-Head bolts
Φ13*1/4"*32mm

C



x16

Hex-Head bolts
Φ13*1/4"*53mm

D



x1

Allen key
4mm

E



x8

Wood dowel
Φ10*30mm

G



x20

Flat Washer
Φ13*Φ1/4"*1mm



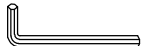


H

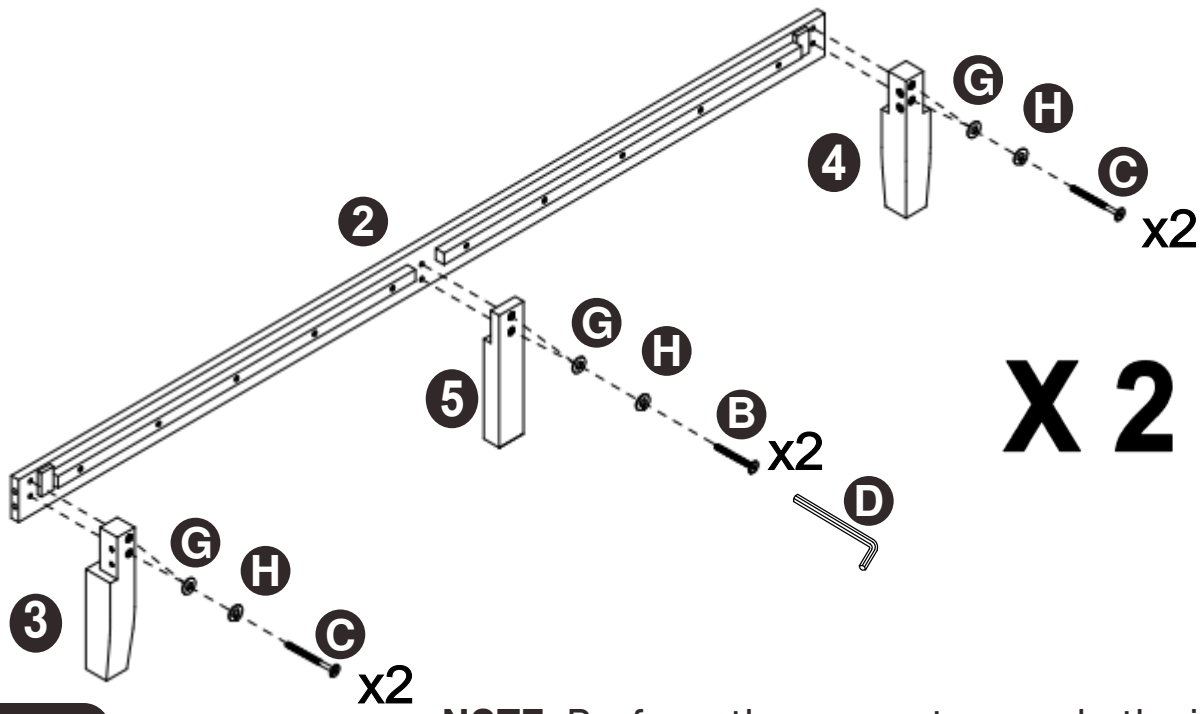


x20

lock Washer
Φ13*Φ1/4"*1.5mm


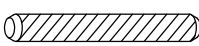



Step 1

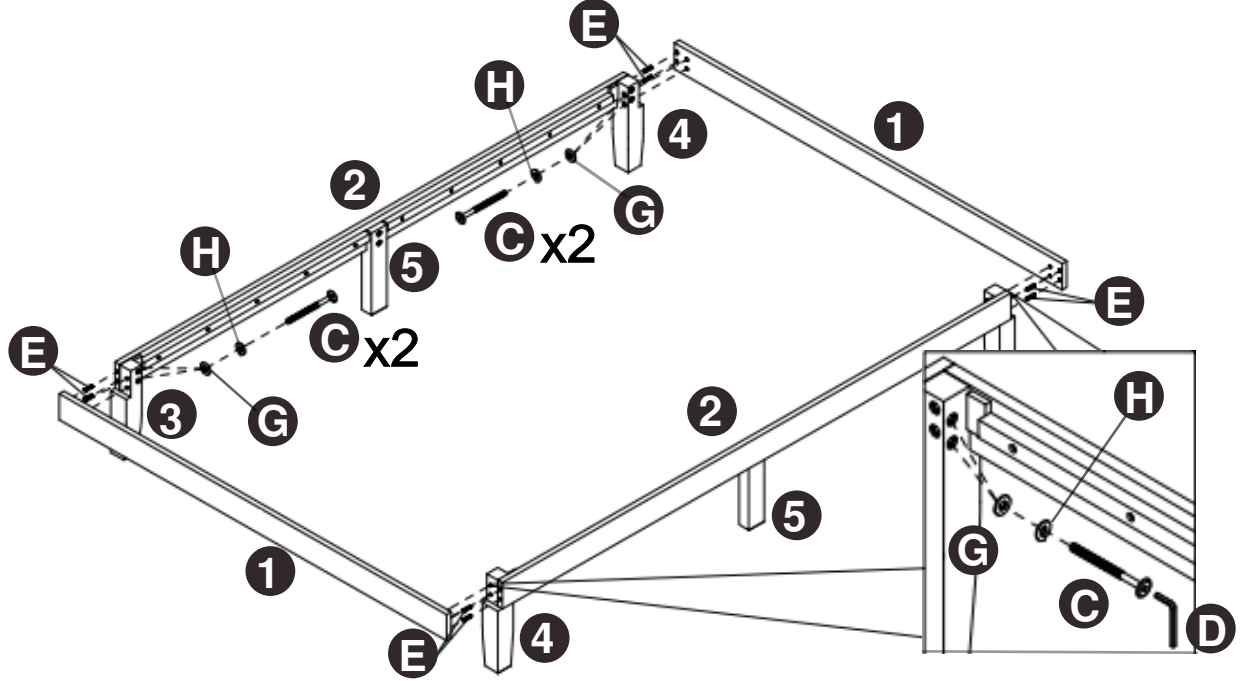
				
B*4	C*8	D*1	G*12	H*12



NOTE: Perform the same steps on both sides.

Step 2

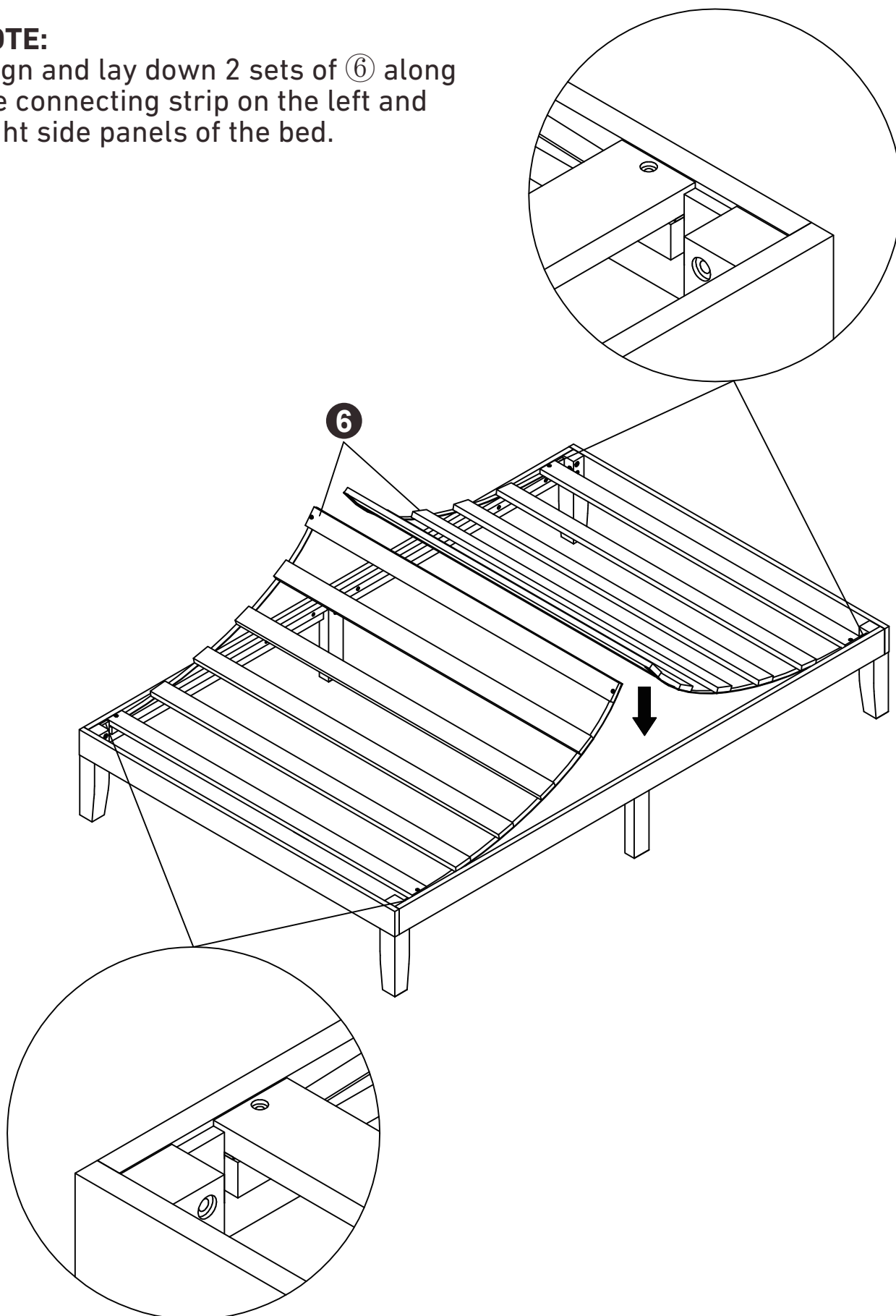
				
C*8	E*8	D*1	G*8	H*8



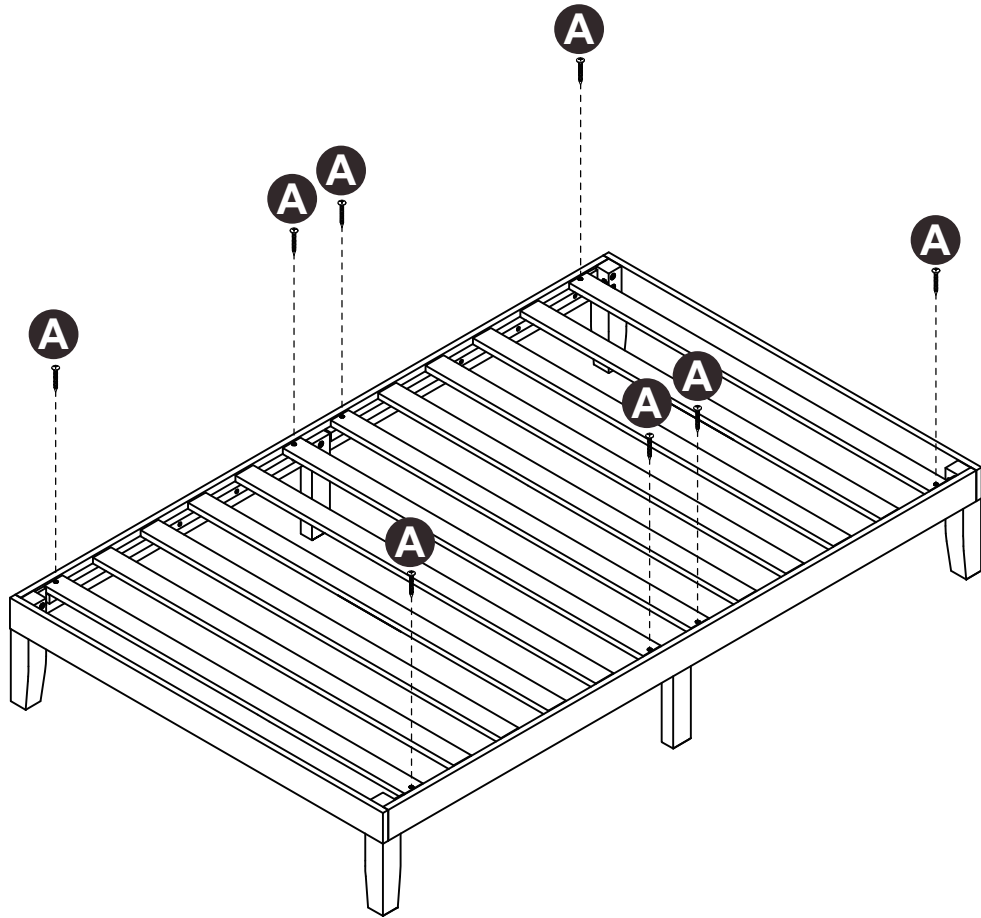
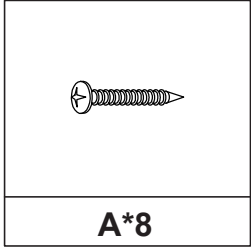
Step 3

NOTE:

Align and lay down 2 sets of ⑥ along the connecting strip on the left and right side panels of the bed.

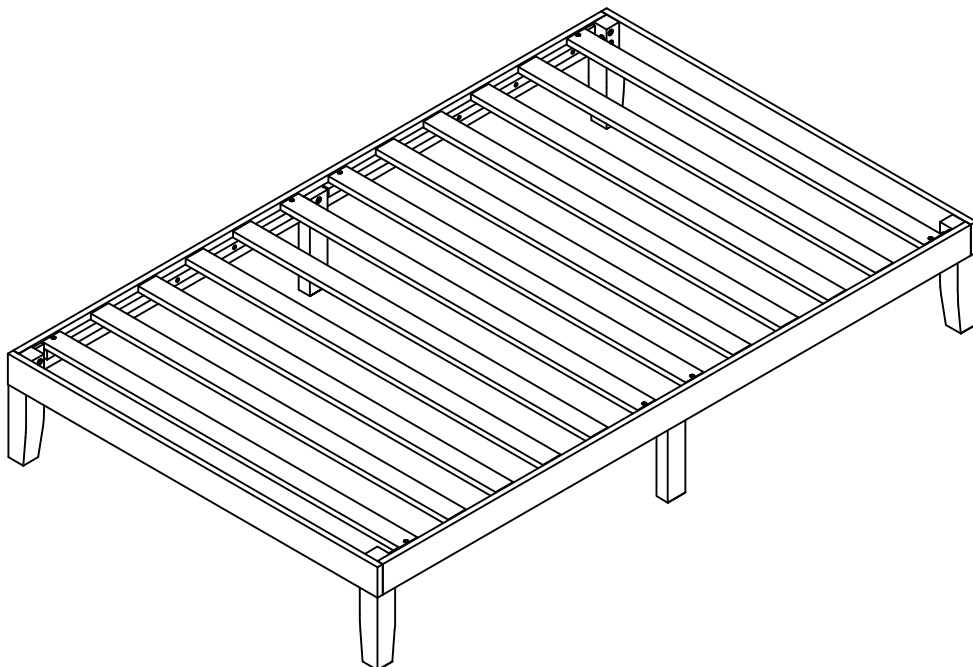


Step 4



Step 5

NOTE: Using a power drill (not included) works better.



NOTE: Do not throw away the instruction manual.