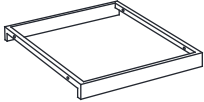
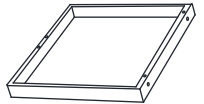
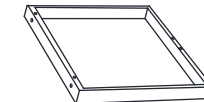

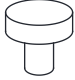
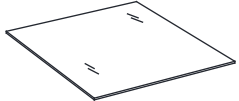


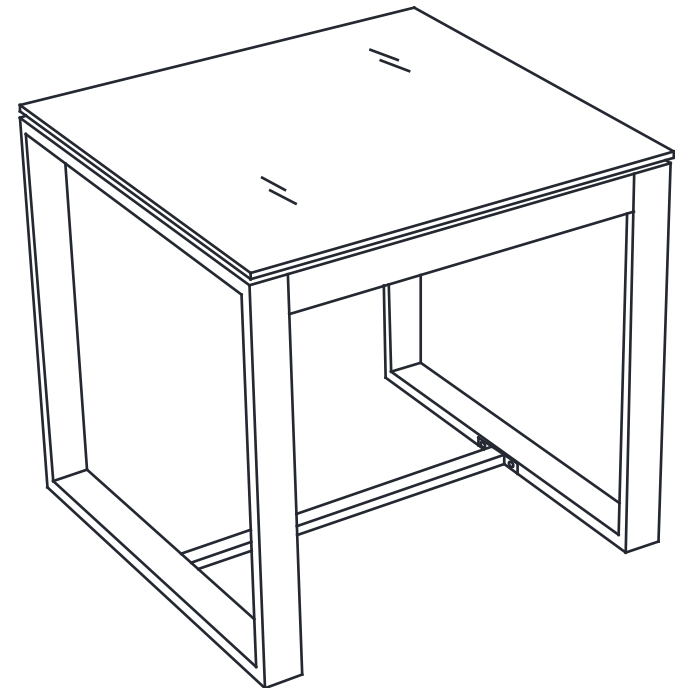


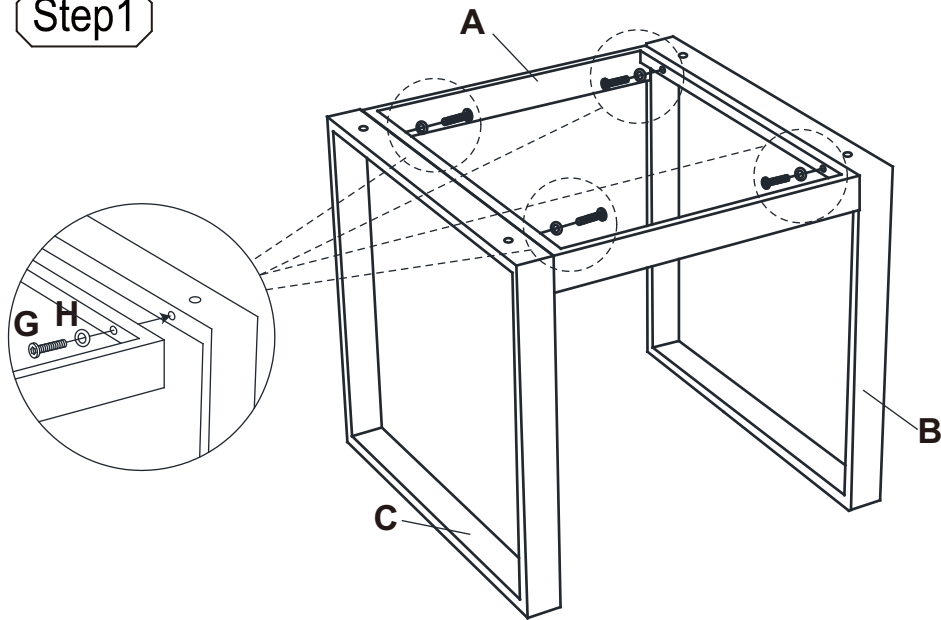
3PCS WICKER ROCKER SET - end table

Part List

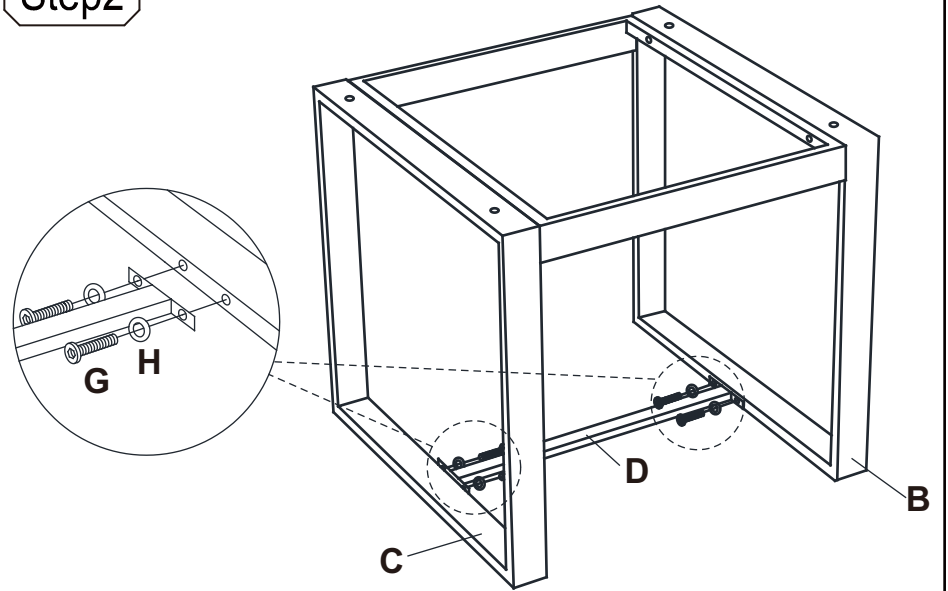
No.	Description	Diagram	Qty pcs
A	Bracket		1
B	Right Leg		1
C	Left Leg		1
D	Bracket		1
E	Haptor		4
F	Table Glass		1
G	Bolt	 M6*30	8
H	Washer		4



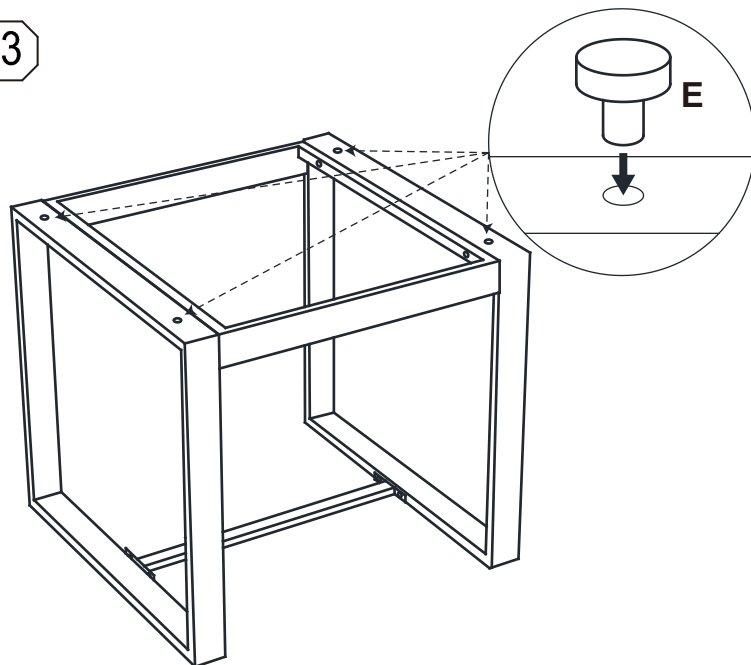
Step1



Step2



Step3



Step4

