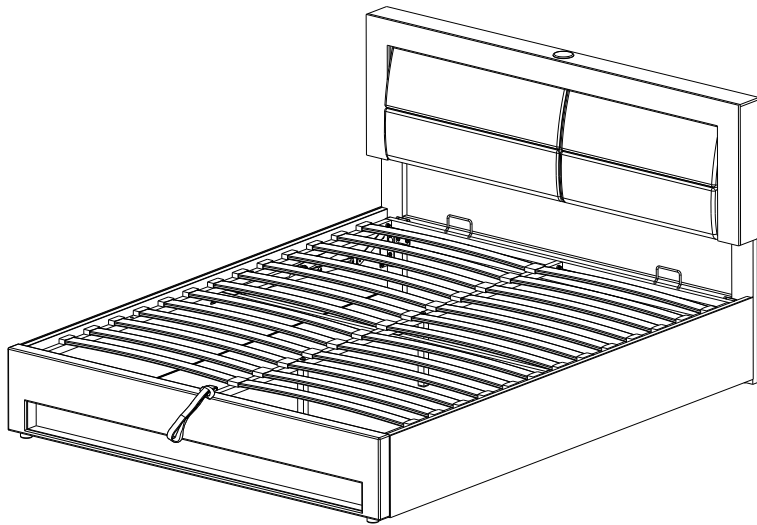
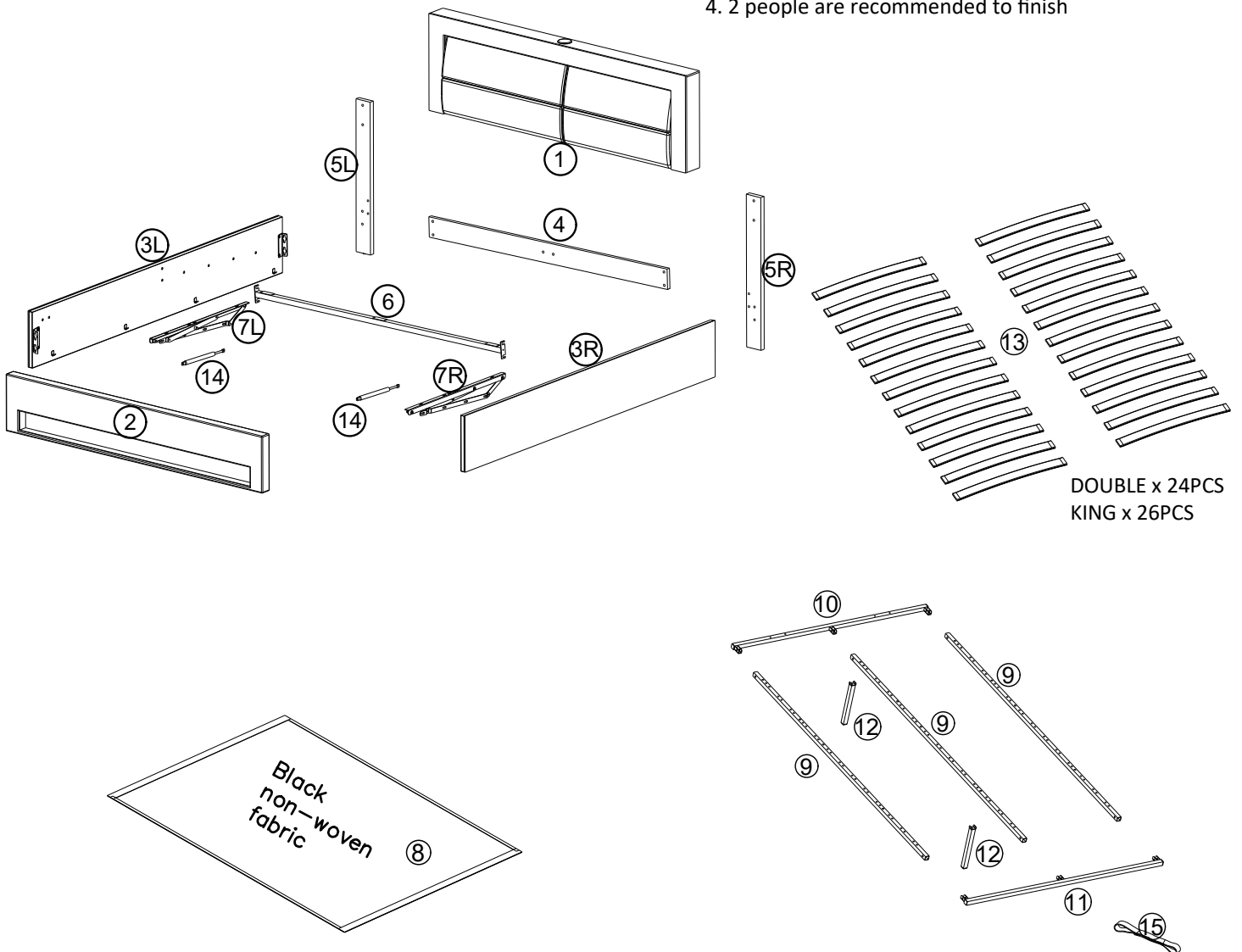


# ASSEMBLY INSTRUCTION



## TIPS

1. This product is divided into 2 parcels for delivery. They may not arrive at the same time. Please wait patiently.
2. Please read the instructions fully before assembly. These instructions include important information which could ensure correct assembly. We have been working on providing high quality products for you. However, in the rare instance that your product is defective, missing parts or there are some issues, please don't hesitate to contact our customer service to submit parts requirements, assembly suggestion, or warranty claims, and we will give the best solution as soon as possible. If necessary, we need you to provide some more clear pictures of the issue.
3. Insert the screws in holes and tighten the screws, but not too tight, 70%~80% is ok, finally tighten all the screws. If some issues happened that some screws can not target to the hole or some parts are difficult to install, please adjust the tightness of the screws.
4. 2 people are recommended to finish



## English

### IMPORTANT FOR GAS LIFT BEDS&MAINTAINANCE

- Please place the mattress on top of the bed frame.
- Please do not pull on the strap handles.
- Please press heavily to release the compressed gas.
- Periodically check all screw & fixings to ensure they are secure.
- When moving your product, carefully lift into place.
- Wipe clean with a slightly damp cloth- please do not use abrasive chemicals or bleach.
- Do NOT allow children to operate the lift mechanism.
- Do NOT allow children near the lift base when operating the mechanism.
- Do NOT stand inside the bed or the internal storage base.
- Do NOT overload the internal storage base.
- DO NOT jump on the product or any of its parts.

## Deutsch

### WICHTIG FÜR GASLIFT-BETTEN&WARTUNG

- Bitte legen Sie die Matratze oben auf den Bettrahmen.
- Bitte ziehen Sie nicht an den Gurtgriffen.
- Bitte drücken Sie kräftig, um das komprimierte Gas freizusetzen.
- Überprüfen Sie regelmäßig alle Schrauben und Befestigungen, um sicherzustellen, dass sie sicher sind.
- Wenn Sie Ihr Produkt bewegen, heben Sie es vorsichtig an seinen Platz.
- Mit einem leicht feuchten Tuch abwischen - bitte keine scheuernden Chemikalien oder Bleichmittel verwenden.
- Erlauben Sie Kindern NICHT, den Hebemechanismus zu bedienen.
- Lassen Sie Kinder NICHT in die Nähe des Liftsockels, wenn Sie den Mechanismus bedienen.
- Stellen Sie sich NICHT in das Bett oder in die Innenablage.
- Überlasten Sie den internen Liftsockel NICHT.
- Springen Sie NICHT auf das Produkt oder eines seiner Teile.

## Français

### IMPORTANT POUR LES LITS À RELEVAGE DE GAZ&MAINTENANCE

- Veuillez placer le matelas sur le dessus du cadre de lit.
- Ne tirez pas sur les poignées de la sangle.
- Appuyez fortement pour libérer le gaz comprimé.
- Vérifiez régulièrement que toutes les vis et fixations sont bien en place.
- Lorsque vous déplacez votre produit, soulevez-le avec précaution pour le mettre en place.
- Nettoyez avec un chiffon légèrement humide - n'utilisez pas de produits chimiques abrasifs ou d'eau de Javel.
- Ne laissez pas les enfants utiliser le mécanisme de levage.
- Ne laissez pas les enfants s'approcher de la base de levage lorsqu'ils actionnent le mécanisme.
- Ne vous tenez PAS à l'intérieur du lit ou de la base de stockage interne.
- Ne surchargez pas la base de stockage interne.
- Ne pas sauter sur le produit ou l'une de ses parties.

## Italiano

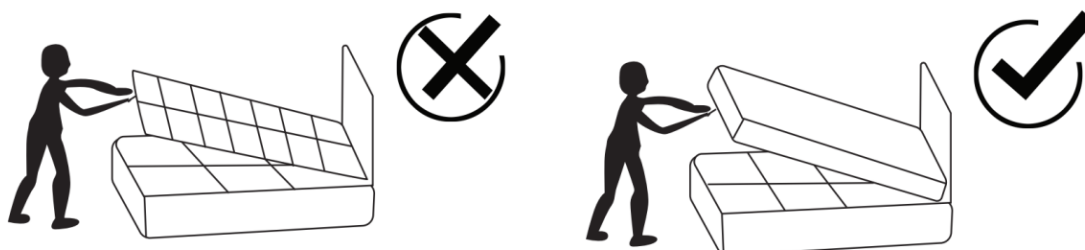
### IMPORTANTE PER I LETTI CON SOLLEVAMENTO A GAS E LA MANUTENZIONE

- Posizionare il materasso sopra la struttura del letto.
- Non tirare le maniglie della cinghia.
- Premere con forza per rilasciare il gas compresso.
- Controllare periodicamente tutte le viti e i fissaggi per assicurarsi che siano saldi.
- Quando si sposta il prodotto, sollevarlo con cautela.
- Pulire con un panno leggermente umido, senza usare prodotti chimici abrasivi o candeggina.
- NON permettere ai bambini di azionare il meccanismo di sollevamento.
- NON permettere ai bambini di avvicinarsi alla base di sollevamento quando si aziona il meccanismo.
- NON sostare all'interno del letto o della base di contenimento interna.
- NON sovraccaricare la base di contenimento interna.
- NON saltare sul prodotto o sulle sue parti.

## Español

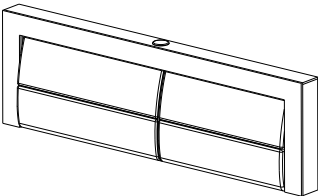
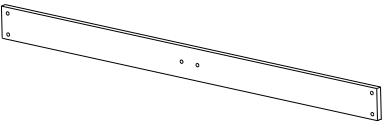
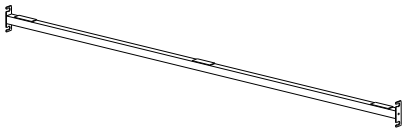
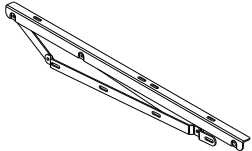
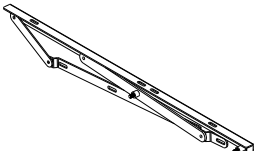

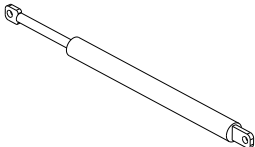
### IMPORTANTE PARA LAS CAMAS ELEVADORAS DE GAS&MANTENIMIENTO

- Coloque el colchón sobre el somier.
- No tire de las asas de la correa.
- Presione con fuerza para liberar el gas comprimido.
- Compruebe periódicamente que todos los tornillos y fijaciones estén bien sujetos.
- Al mover el producto, levántelo con cuidado para colocarlo en su sitio.
- Limpie con un paño ligeramente humedecido; no utilice productos químicos abrasivos ni lejía.
- NO permita que los niños accionen el mecanismo de elevación.
- NO permita que los niños se acerquen a la base elevadora cuando accionen el mecanismo.
- NO se ponga de pie dentro de la cama o de la base de almacenamiento interna.
- NO sobrecargue el somier.
- NO salte sobre el producto ni sobre ninguna de sus piezas.

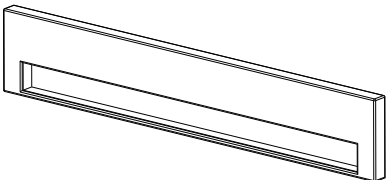
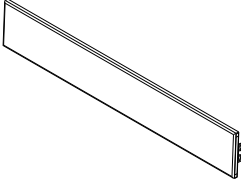
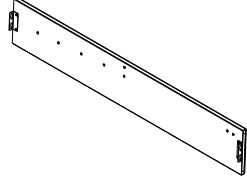


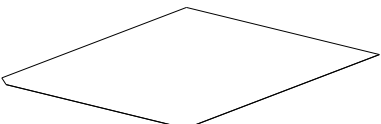
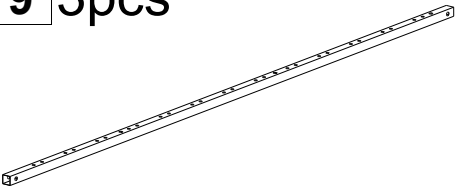
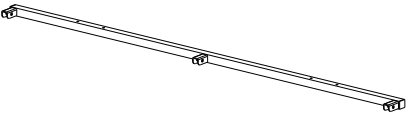
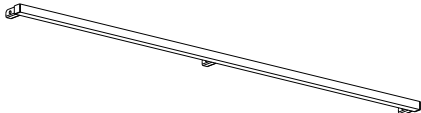

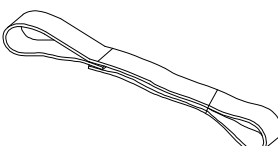


# Part List

N606P203961 / N606P203963

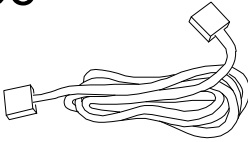
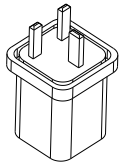
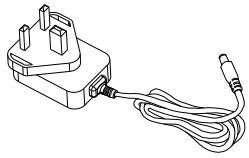
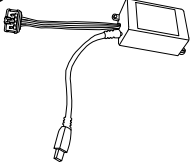
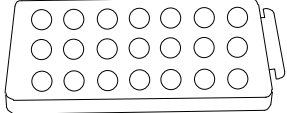
<p><b>1</b> 1pc</p> 	<p><b>4</b> 1pc</p> 	<p><b>6</b> 1pc</p> 
<p><b>7L</b> 1pc</p> 	<p><b>7R</b> 1pc</p> 	<p><b>13</b> DOUBLE x 24PCS KING x 26PCS</p> 
<p><b>14</b> 2pcs</p> 		

N606P203962 / N606P203964

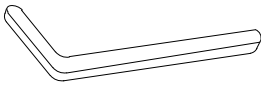
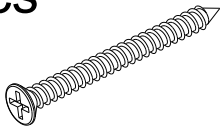
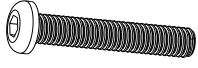

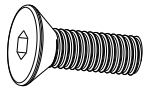

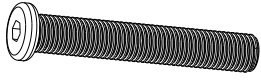
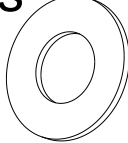

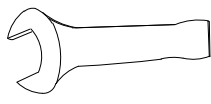
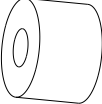
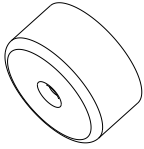
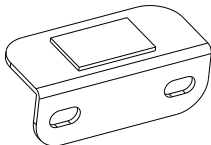
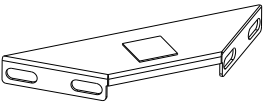
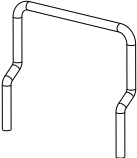
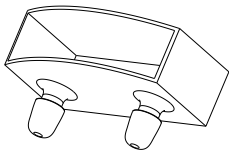
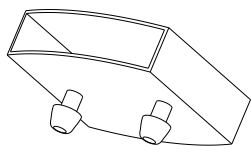
<p><b>2</b> 1pc</p> 	<p><b>3L</b> 1pc</p> 	<p><b>3R</b> 1pc</p> 
<p><b>5L</b> 1pc</p> 	<p><b>5R</b> 1pc</p> 	<p><b>8</b> 1pc</p> 
<p><b>9</b> 3pcs</p> 	<p><b>10</b> 1pc</p> 	<p><b>11</b> 1pc</p> 
<p><b>12</b> 2pcs</p> 	<p><b>15</b> 1pc</p> 	

# Hardware List

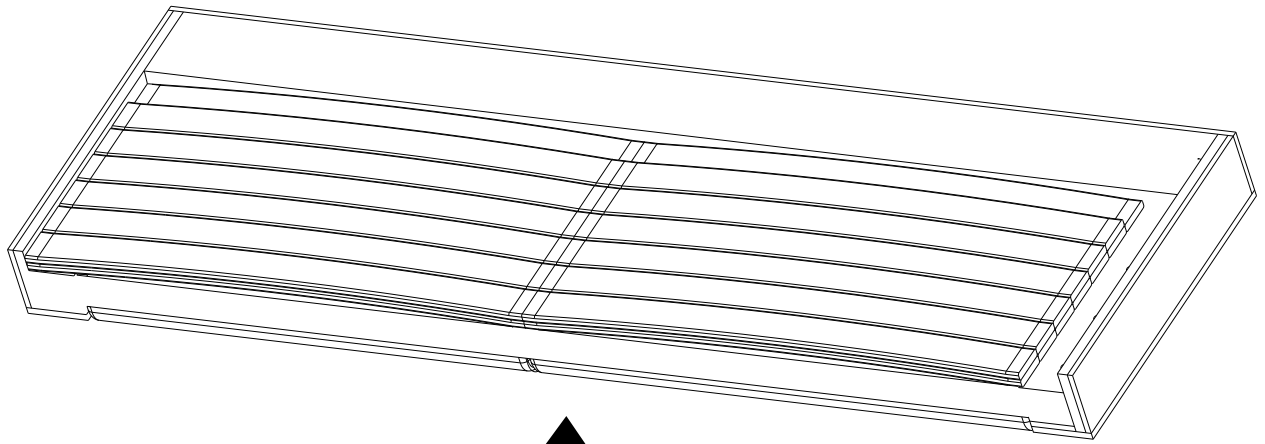
N606P203961 / N606P203963

<p><b>T</b> 1pc</p> 	<p><b>U</b> 1pc</p> 	<p><b>V</b> 1pc</p> 
<p><b>W</b> 1pc</p> 	<p><b>X</b> 1pc</p> 	

N606P203962 / N606P203964

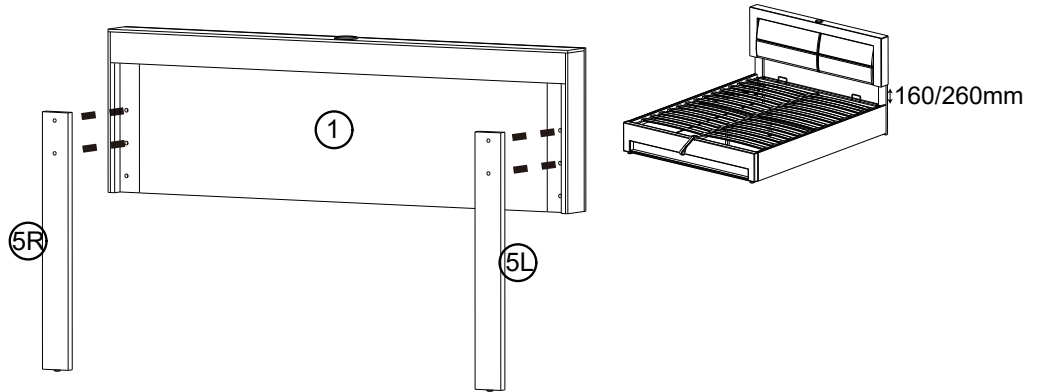
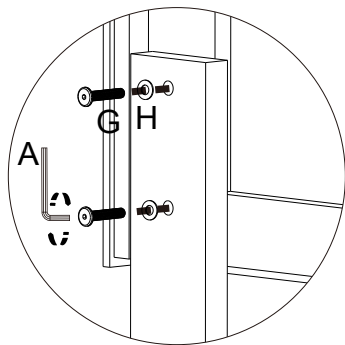
<p><b>A</b> 1pc</p> 	<p><b>B</b> 2pcs</p>  <p>M4X40mm</p>	<p><b>C</b> 2pcs</p>  <p>M6x40mm</p>
<p><b>D</b> 24pcs</p>  <p>M8x20mm</p>	<p><b>E</b> 4pcs</p>  <p>M8x18mm</p>	<p><b>F</b> 8pcs</p>  <p>M8x30mm</p>
<p><b>G</b> 16pcs</p>  <p>M8x40mm</p>	<p><b>H</b> 12pcs</p> 	<p><b>J</b> 16pcs</p>  <p>M8</p>
<p><b>K</b> 1pc</p> 	<p><b>L</b> 8pcs</p> 	<p><b>M</b> 2pcs</p> 
<p><b>N</b> 2pcs</p> 	<p><b>P</b> 2pcs</p> 	<p><b>Q</b> 2pcs</p> 
<p><b>R</b> DOUBLE x 24PCS KING x 26PCS</p> 	<p><b>S</b> DOUBLE x 12PCS KING x 13PCS</p> 	

# Step 1



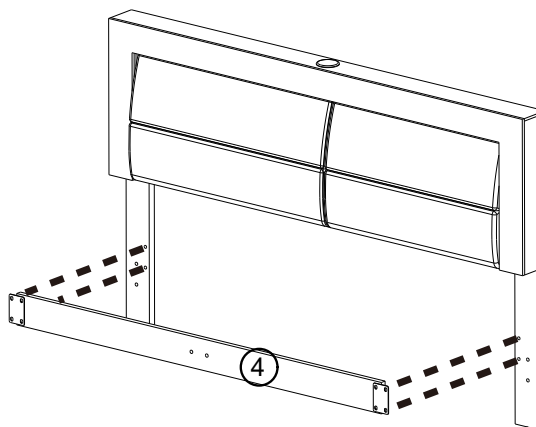
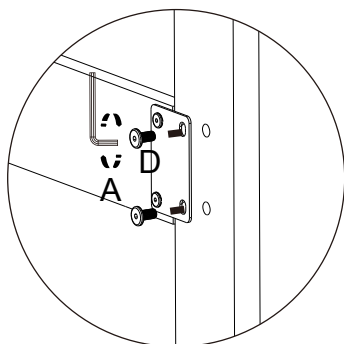
- ① ④ ⑥ ⑦R ⑦L ⑬ ⑭



# Step 2



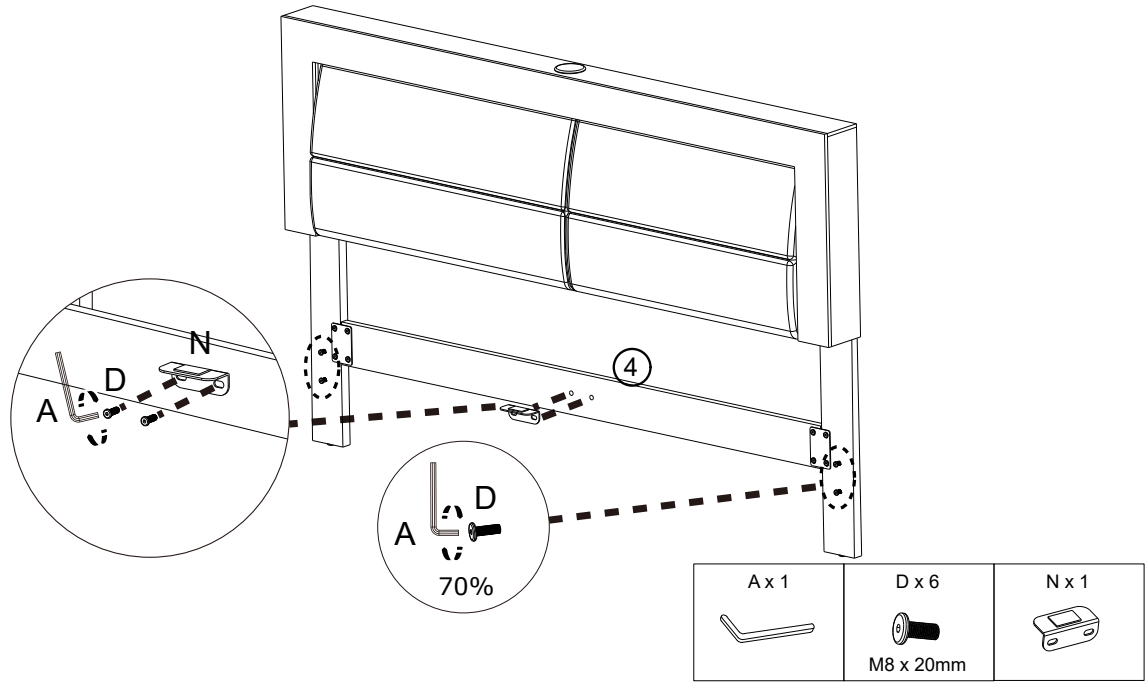
A x 1	G x 4	H x 4
	 M8 x 40mm	

# Step 3

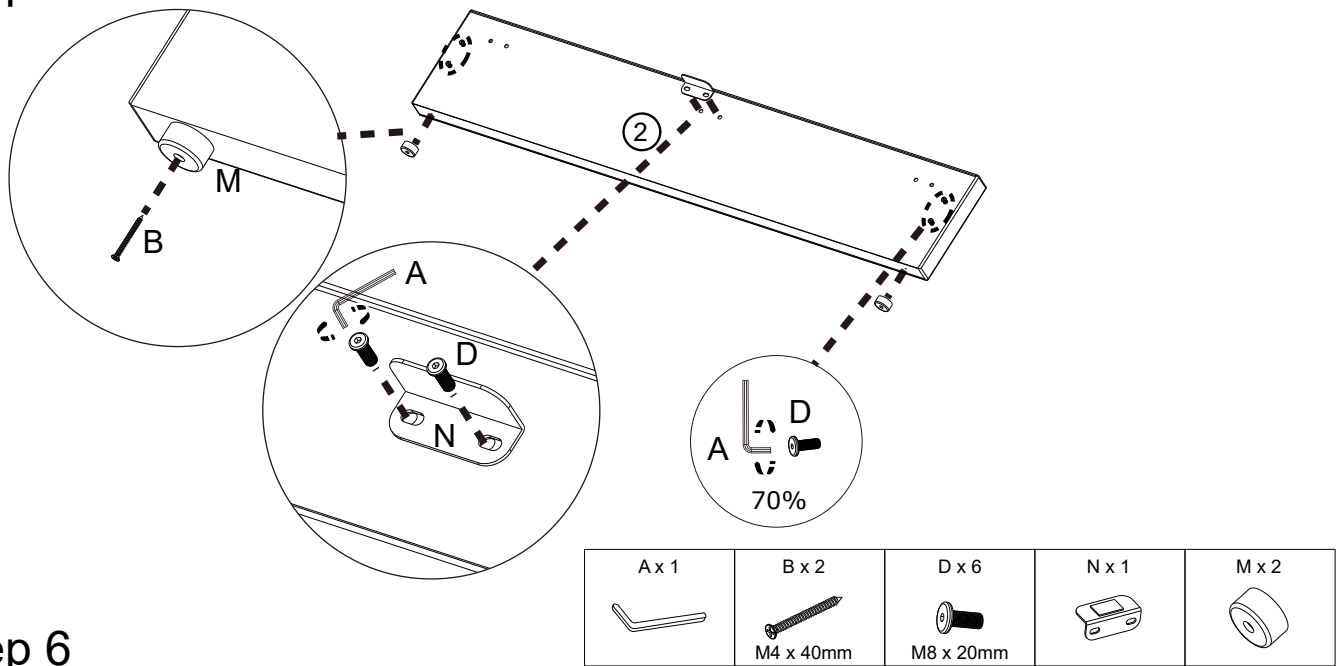


A x 1	D x 4
	 M8 x 20mm

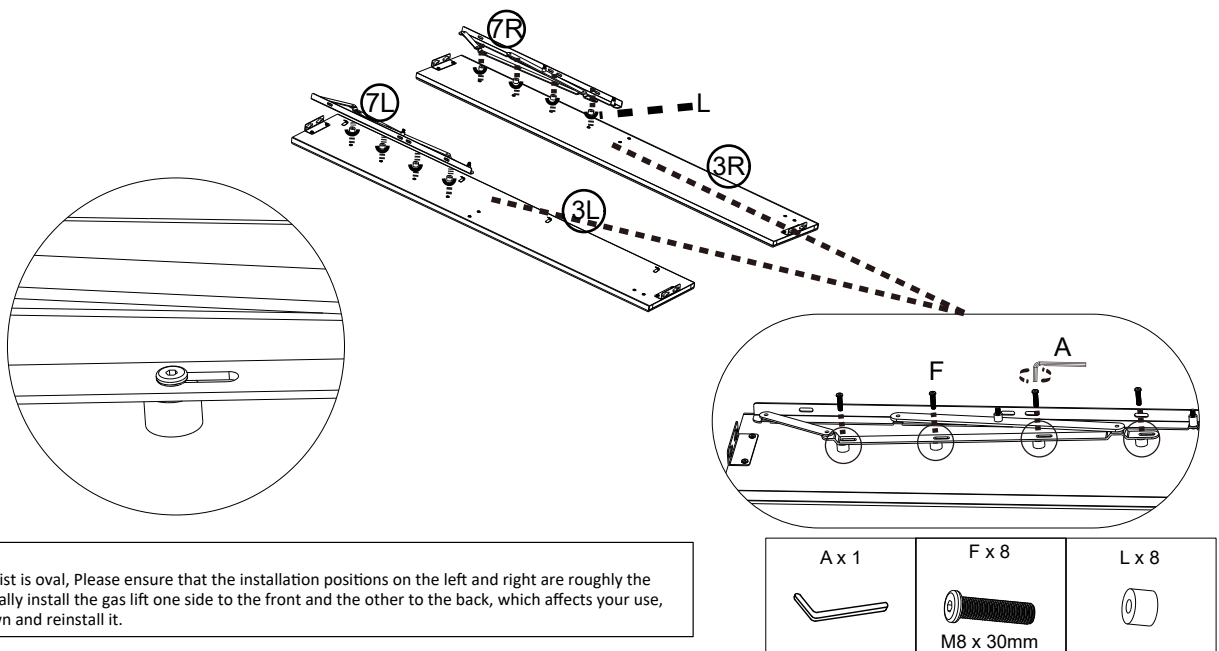
# Step 4



# Step 5

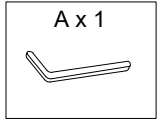
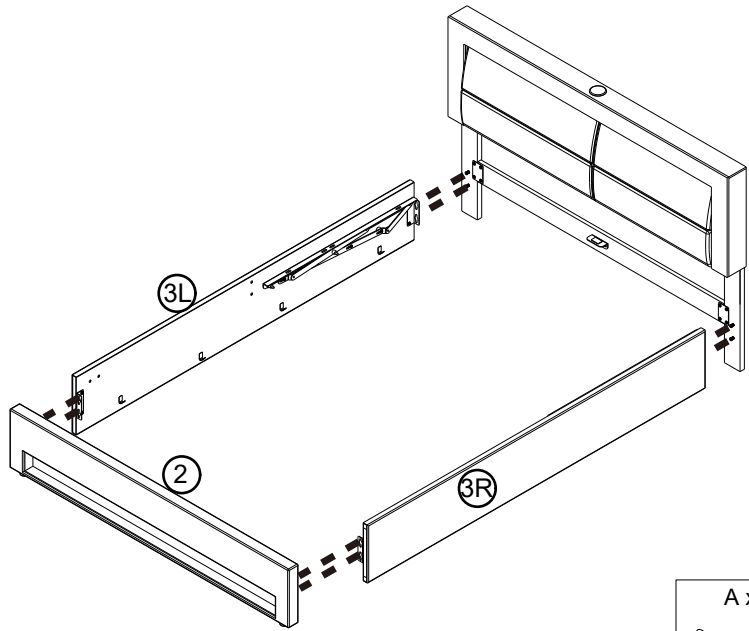
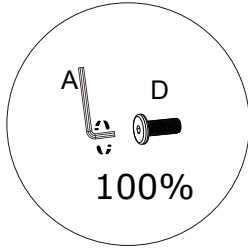
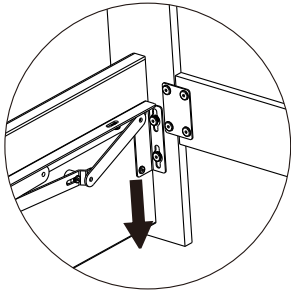


# Step 6

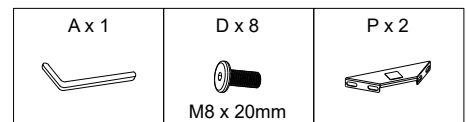
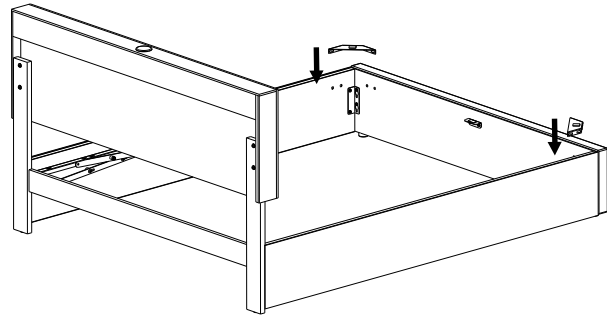
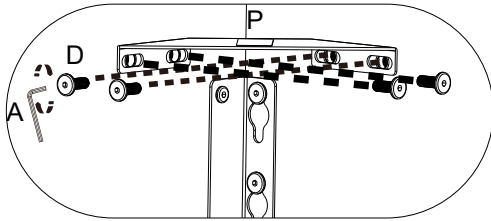


**NOTICE:**  
The hole on the gas list is oval, Please ensure that the installation positions on the left and right are roughly the same, if you accidentally install the gas lift one side to the front and the other to the back, which affects your use, you can knock it down and reinstall it.

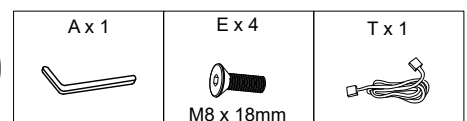
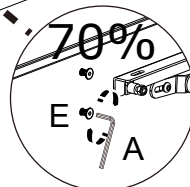
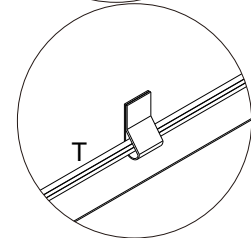
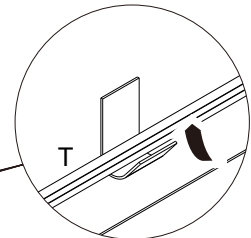
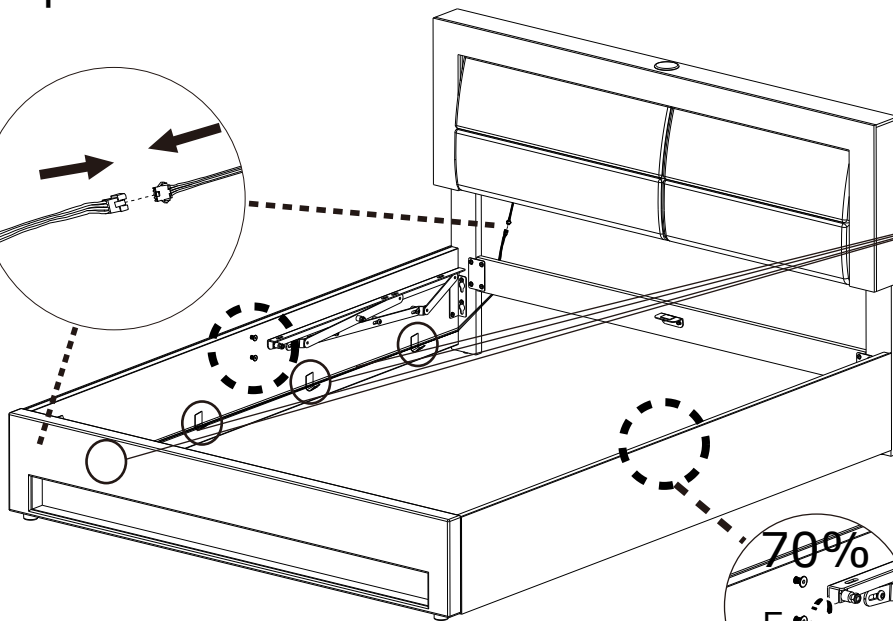
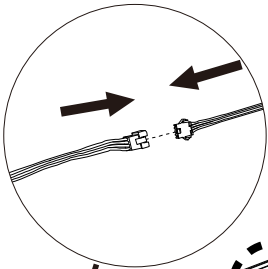
# Step 7



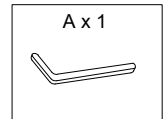
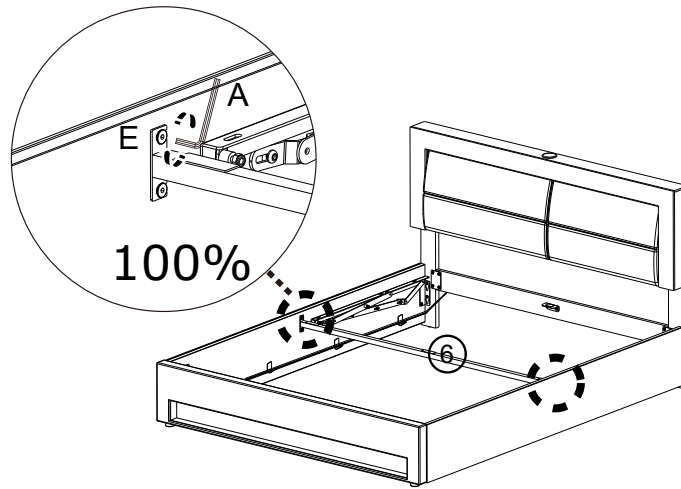
# Step 8



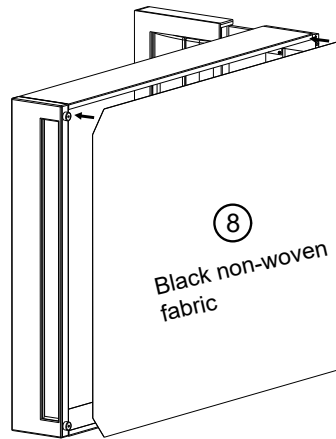
# Step 9



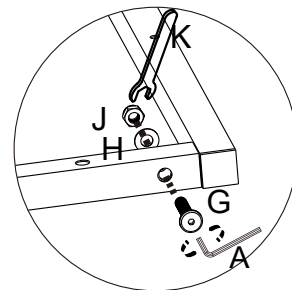
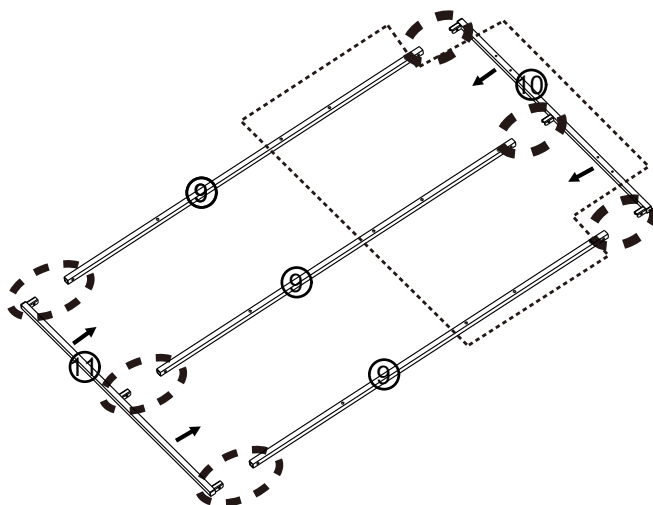
# Step 10



# Step 11

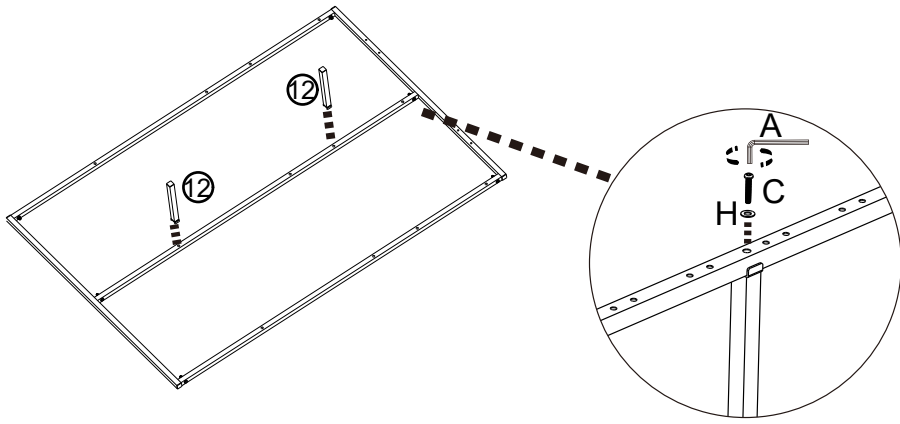


# Step 12



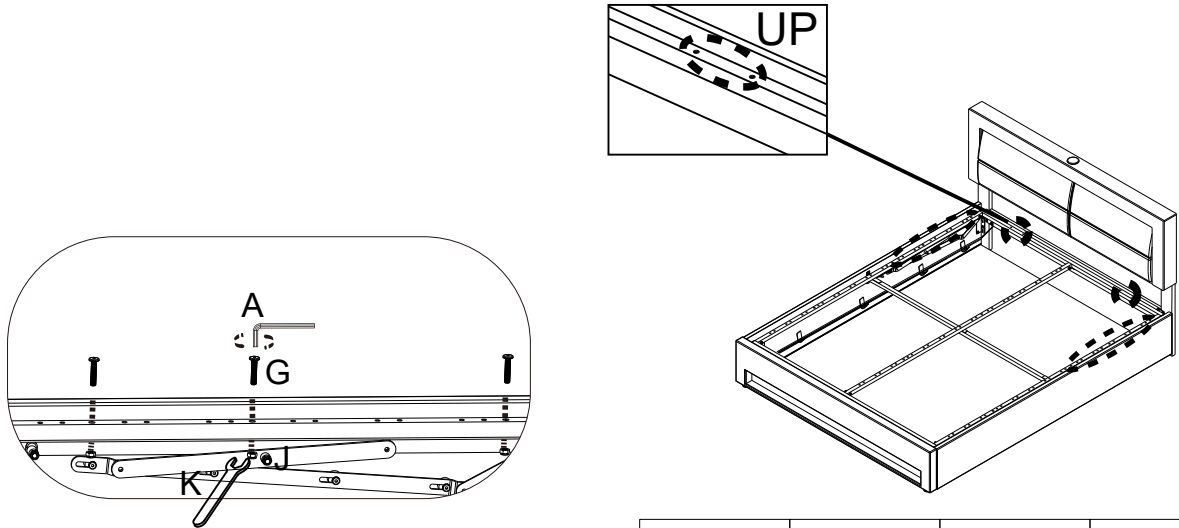
A x 1	G x 6	H x 6	J x 6	K x 1
	 M8 x 40mm		 M8	

# Step 13



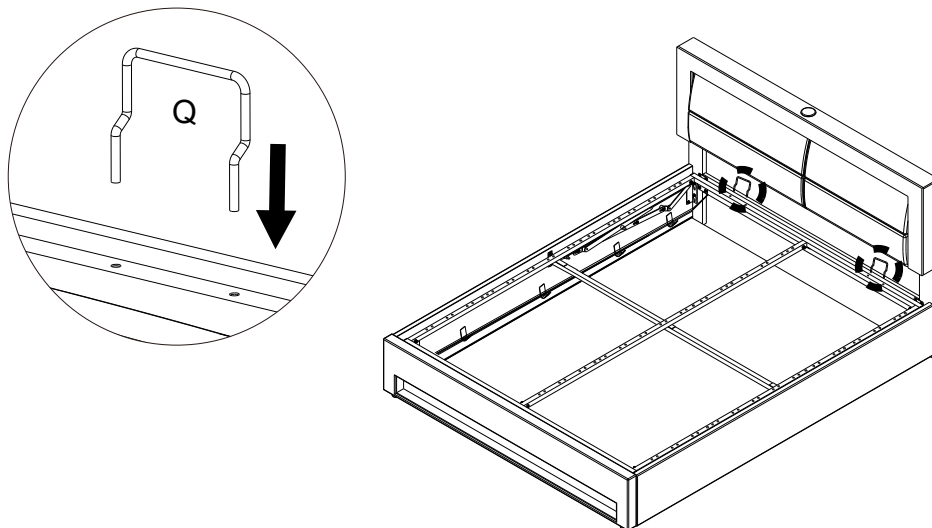
A x 1	C x 2	H x 2
	M6 x 40mm	

# Step 14



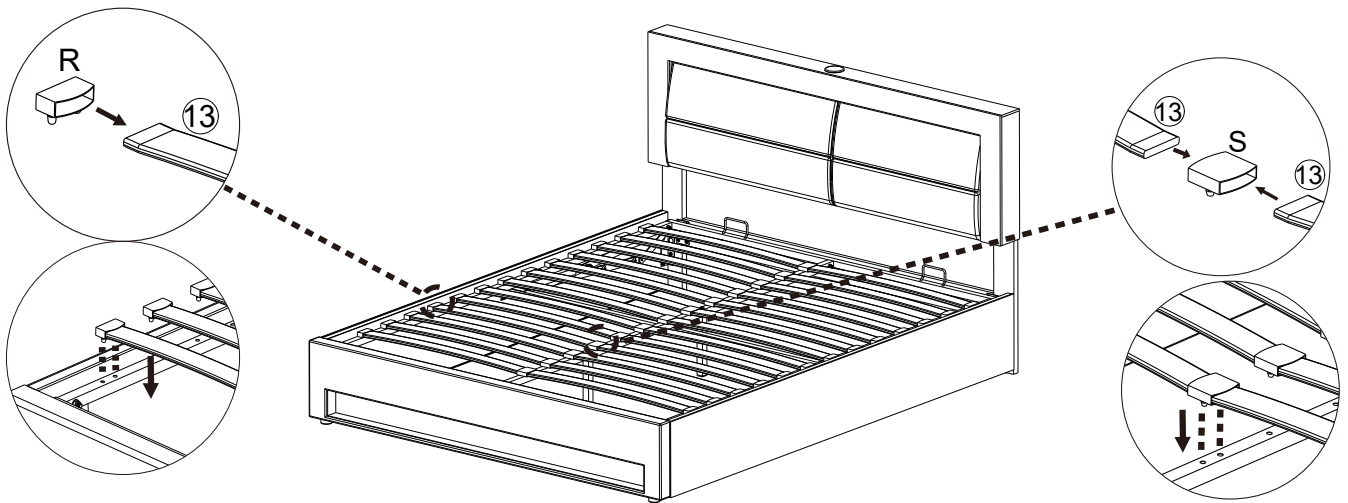
A x 1	G x 6	J x 6	K x 1
	M8 x 40mm	M8	



# Step 15



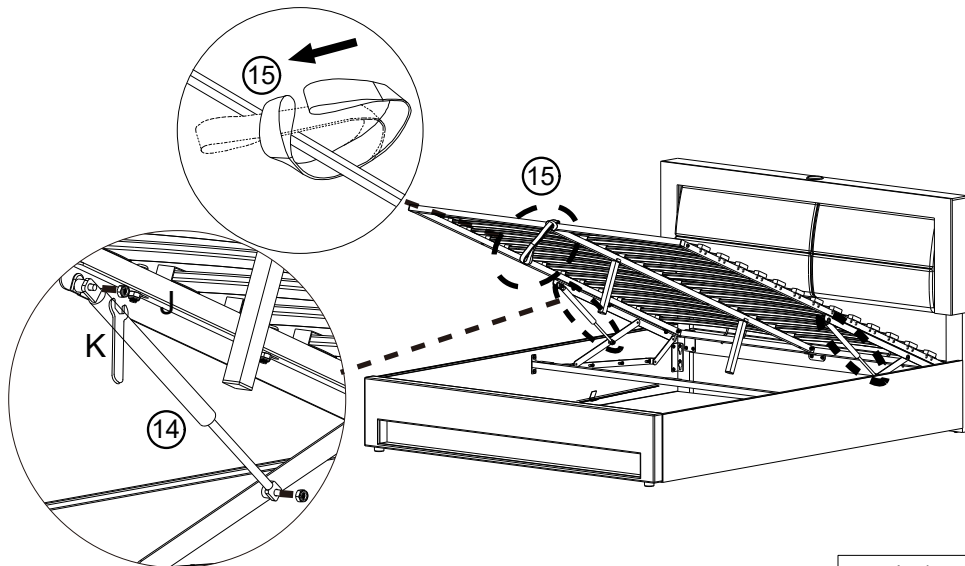
Q x 2


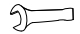
# Step 16



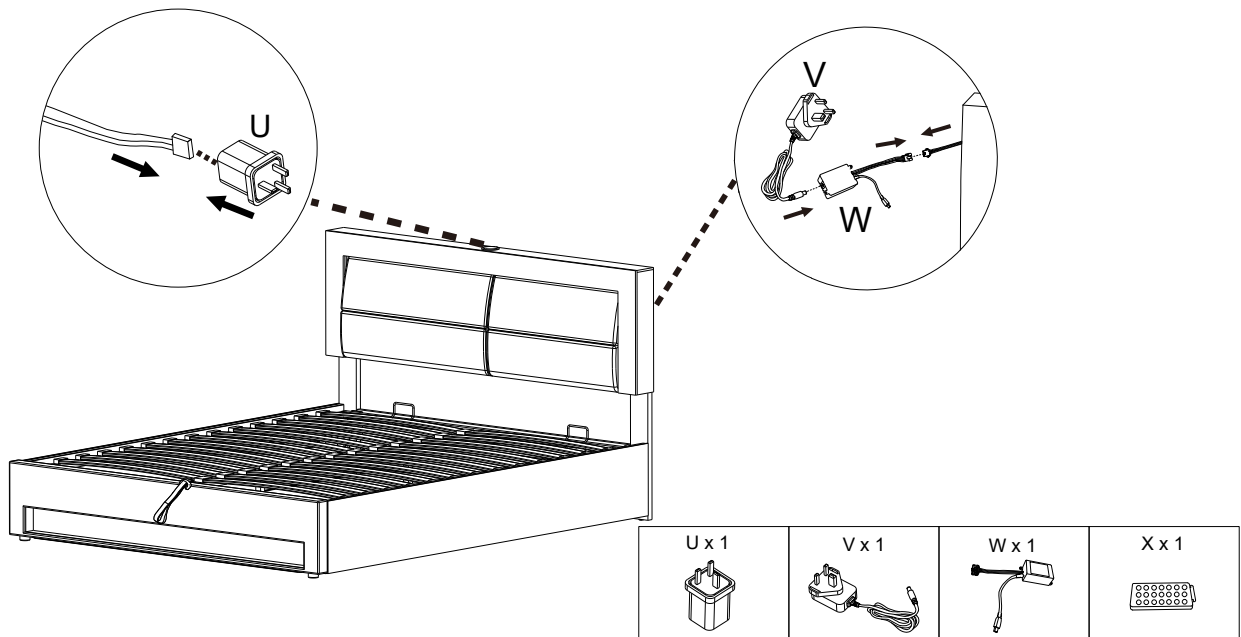
<p><b>R</b></p> <p>DOUBLE x 24PCS KING x 26PCS</p> 	<p><b>S</b></p> <p>DOUBLE x 12PCS KING x 13PCS</p> 
--	--

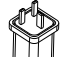


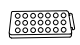
# Step 17



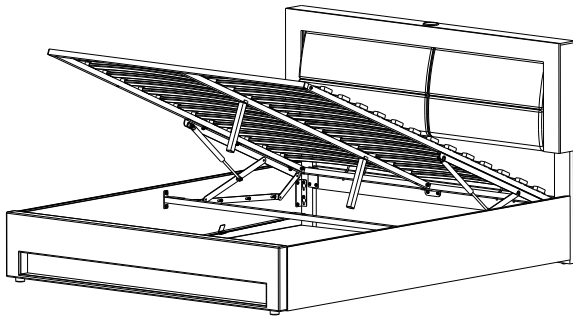
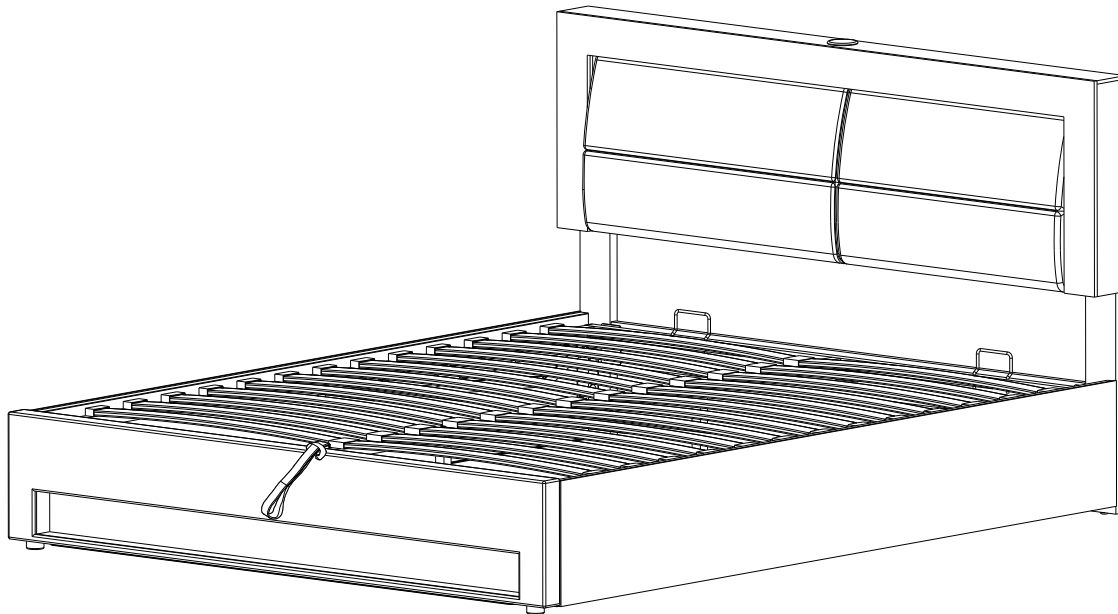
<p>J x 4</p>  <p>M8</p>	<p>K x 1</p> 
--	--

# Step 18



<p>U x 1</p> 	<p>V x 1</p> 	<p>W x 1</p> 	<p>X x 1</p> 
--	--	--	--

## Step 19



### WHY WON'T MY HYDRAULIC BED STAY DOWN?

1. In fact, nine times out ten the reason why hydraulic won't close is because you need to put your mattress on top of the bed. Yep, it really is that easy. This is because the hydraulic pistons need the weight of the mattress to provide enough pressure to close your bed.
2. However, what if you've put your mattress on your bed and you're one of the unlucky ones who finds that their hydraulic bed still won't stay down?

As previously mentioned, they require pressure in order to close. However, occasionally as well as placing the mattress on the bed you will initially have to apply some physical force yourself to close the bed. Don't worry you won't break it! ! !

# Certificate of Conformity

No.: LP21050134C01-07

The following products have been tested by us with the listed standards and found in compliance with the Electrical Equipment (Safety) Regulations 2016. It is possible to use UCKA marking to demonstrative for the compliance with this regulation.

**Applicant** : Shenzhen ABP Technology Co., Ltd.  
**Address** : 2nd Floor, 3 & 4 Building, Xinhaosheng Industrial Zone, Yonghe Road, Qiantou Fuhai Street, Bao'an District, Shenzhen City, 518103 Guangdong, P.R. China  
**Product** : Power Supply  
**Trade Mark** : N/A  
**Model No.** : PD0181Bf, QC0181Bf, PD0202Bf, QC0202Bf, CP0151BA, PD0181f, QC0181f, PD0202f, QC0202f, CP0151A (f is a variable, details see model list on test report.)  
**Rated Input** : 100-240V~, 50-60Hz, 0.5A Max.  
**Rated Output** : See model list on test report.  
**Test Standards** : BS EN 62368-1:2014  
+A11:2017  
Audio/video, information and communication technology equipment  
Part 1: Safety requirements

**UK  
CA**

  
Manager: Haylen Li  
Date: August 02, 2021  


**Dongguan Lepont Testing Service Co., Ltd.**

Tel.: 86-769-8308 6888 Fax.: 86-769-8309 6886  
Room 102, Building 11, No. 7, Houjie Science And Technology Avenue, Houjie, Dongguan, Guangdong, China

The statement is based on a single evaluation of one sample of above mentioned products. It does not imply an assessment of the whole production and does not permit the use of the test lab's logo.



# UK TYPE EXAMINATION CERTIFICATE

## APPROVED BODY UK-TYPE EXAMINATION CERTIFICATE

*BOWY96 / 1 Apr 2021 / Rev A*

### UK Electromagnetic Compatibility Regulations (SI 2016/1091)

MiCOM Labs Inc., Approved Body Number 2280 declares, on the basis of the assessment of the tests and the technical documentation provided by the applicant that the following product complies with the essential requirements of the above noted Regulations.

Product Name:  
**AC/DC Adapter**

Approval Holder Name:  
**SHENZHEN BOYAXUAN TECHNOLOGY DEVELOPMENT CO., LTD**



  
**Gordon Hurst, Product Certifier**

This Certificate is Issued under the Authority of:  
**MiCOM Labs Inc., 575 Boulder Court, Pleasanton, California 94566, USA**

Approved Body Number: 2280