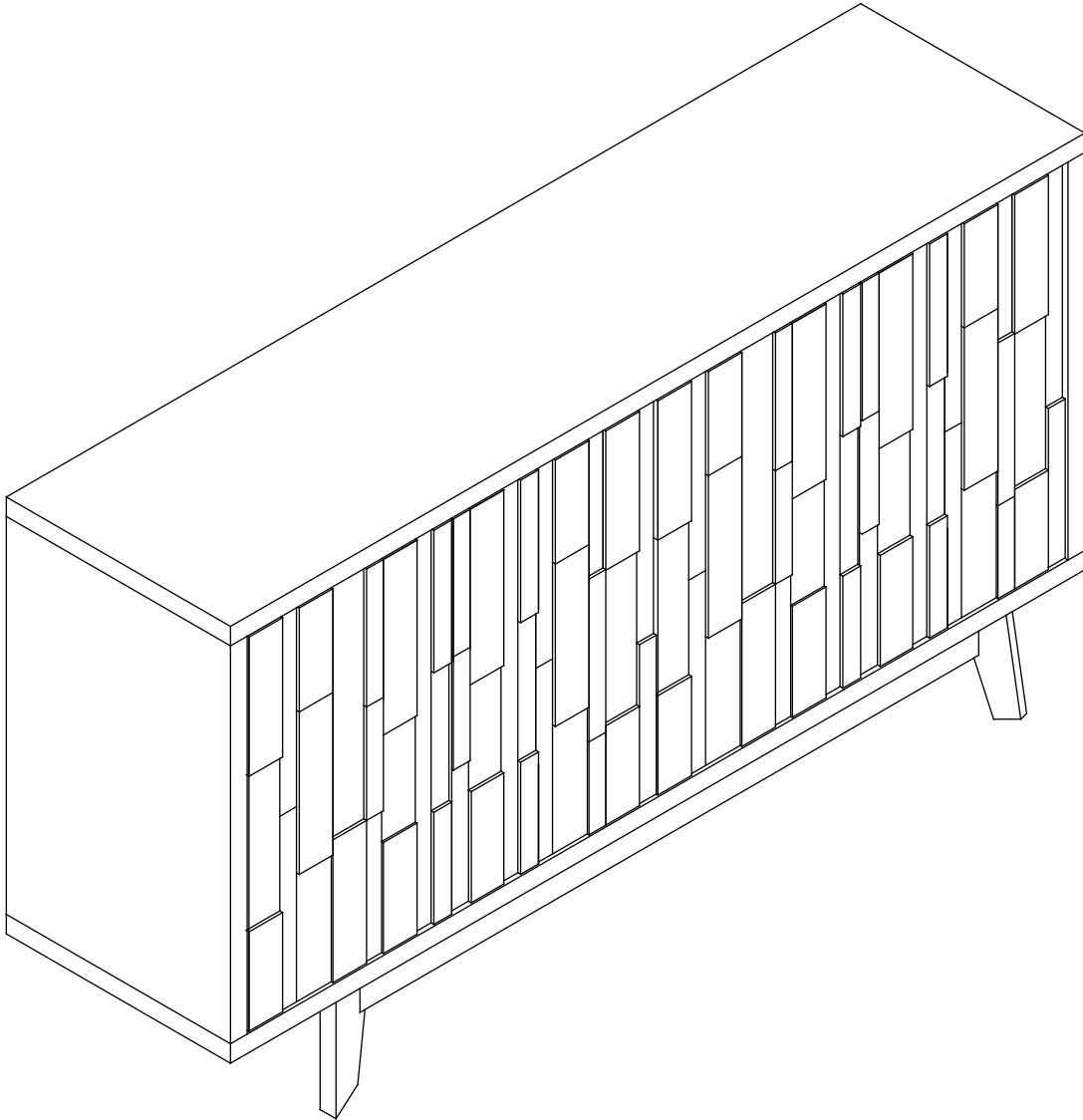


# Installation Instruction



Product name

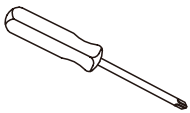
---

4 Door Cabinet

# Assembling

## What you need

- Use the packaging carton as a working surface to prevent product damage during assembly
- Phillips head screwdriver



## Weight Limitation



**30**  
lbs table top

**22**  
lbs per shelf

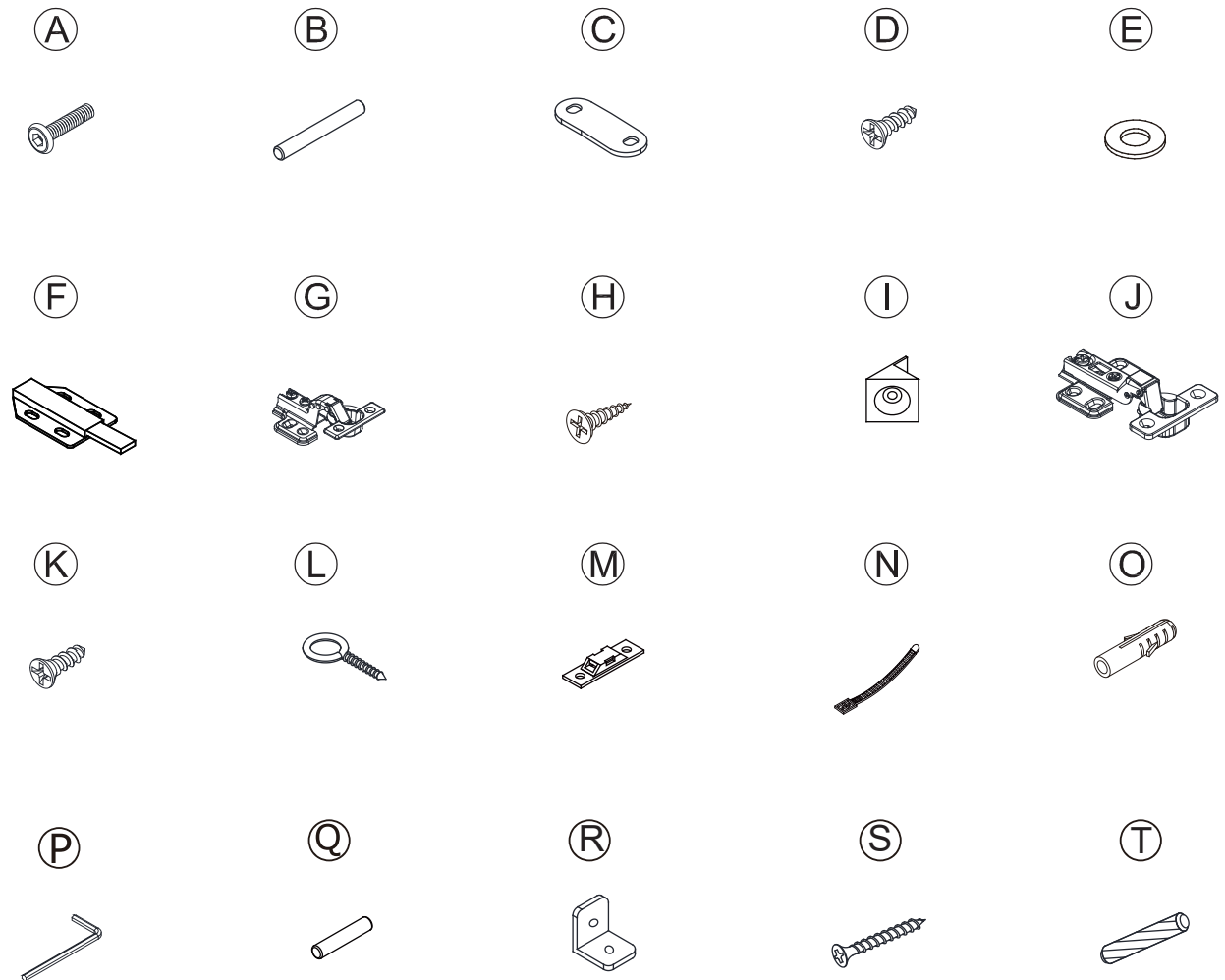


2 PERSONS

## What's included

Code	Description	Qty
A	Bolt M8X35MM	20
B	Long Metal Support	2
C	Metal plate	4
D	Screw M3X12MM	8
E	Metal washer	20
F	Rebound device	4
G	Hinge	4
H	Screw M3X14MM	28
I	Plastic Corner Support	8
J	Hinge	4
K	Screw M3.5X14MM	52
L	Ring Screw	2
M	Hook Buckle	2
N	Plastic Strip	2
O	Anchor M6X30MM	2
P	Allen key	1
Q	Short Metal Support	4
R	Metal Sheet	2
S	Screw M4X35MM	30
T	Wooden Dowel	12

# The Hardwares



## IMPORTANT:

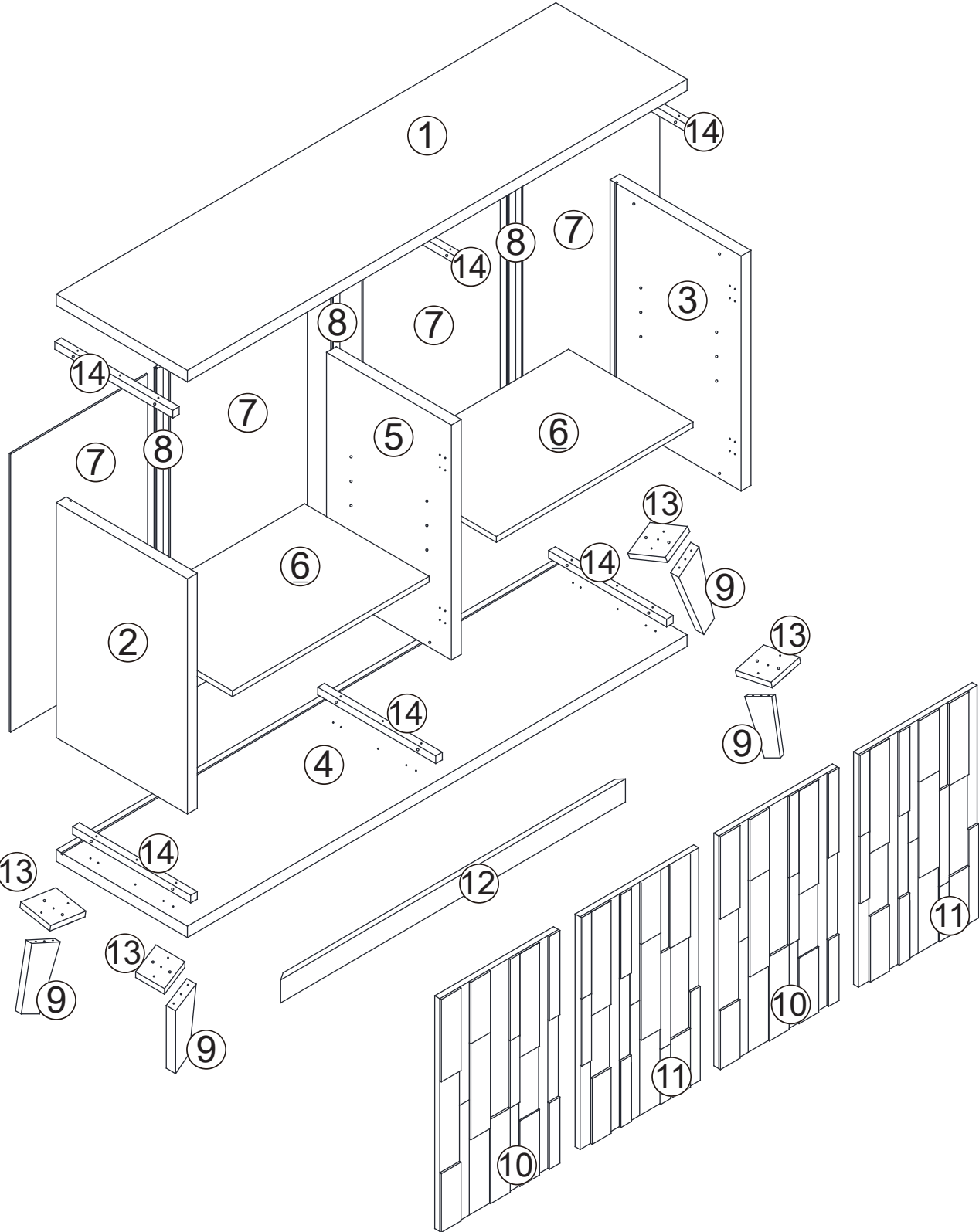
1. Do not tighten bolts / screws completely until all bolts / screws are lined up and inserted into holes.
2. Do not over tighten screws and bolts to avoid stripping.
3. Please use hand tools to assemble this product. Do not use power tools.
4. Must need 2 people to assemble this product.



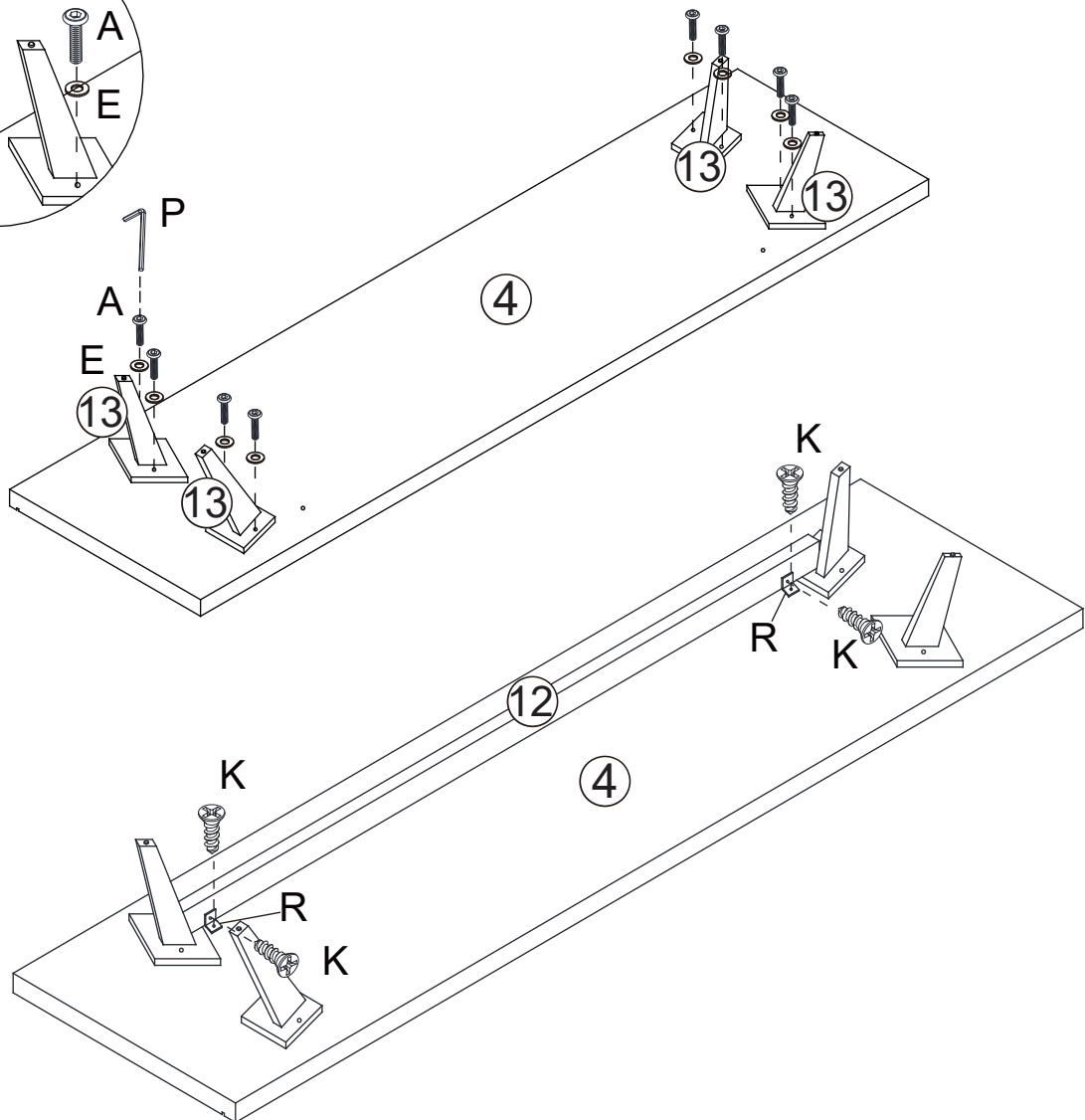
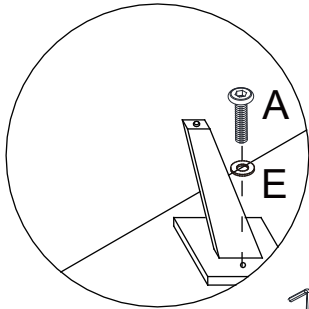
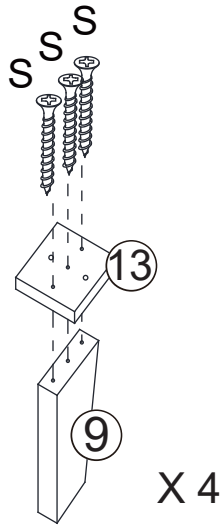
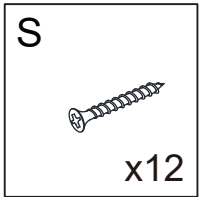
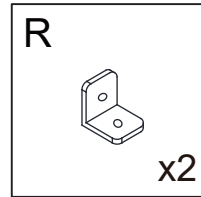
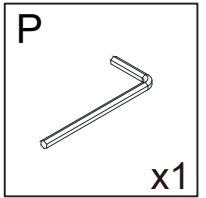
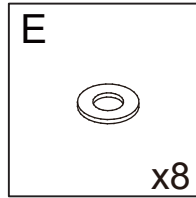
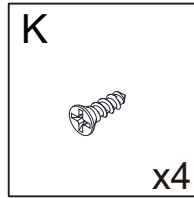
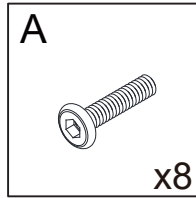
# Included Accessories

Code	Description	Qty
1	Cabinet Top	1
2	Left Side Panel	1
3	Right Side Panel	1
4	Bottom Panel	1
5	Middle Division Panel	1
<u>6</u>	Shelf	2
7	Back Panel	4
8	Back Stretcher	3
9	Foot	4
10	Door	2
11	Door	2
12	Leg Trim	1
13	Wood Block	4
14	Connecting Wood	6

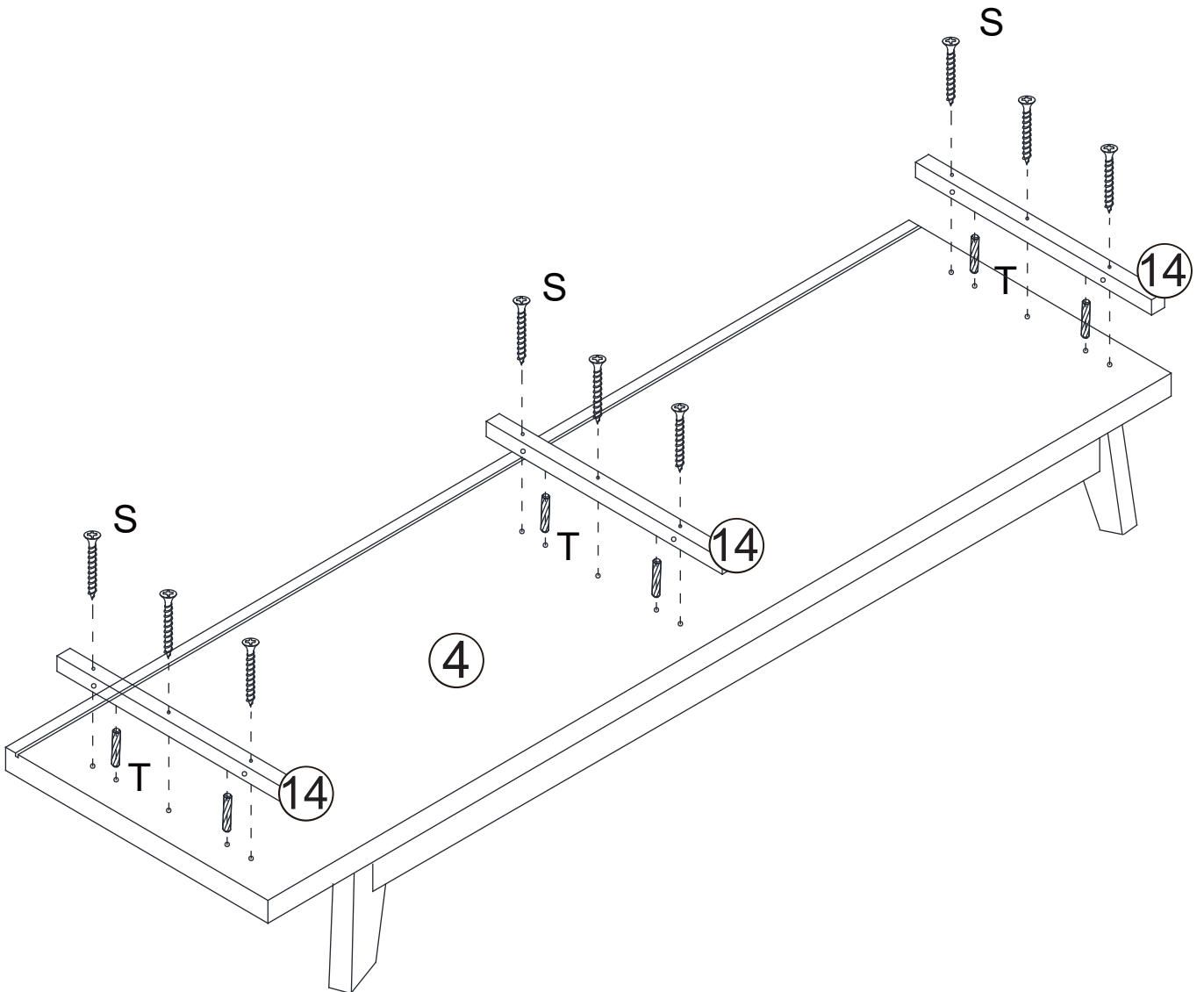
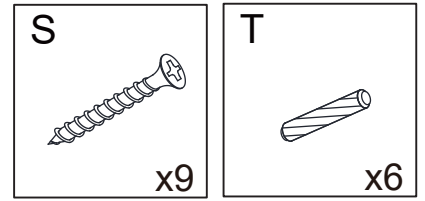
# The Accessories



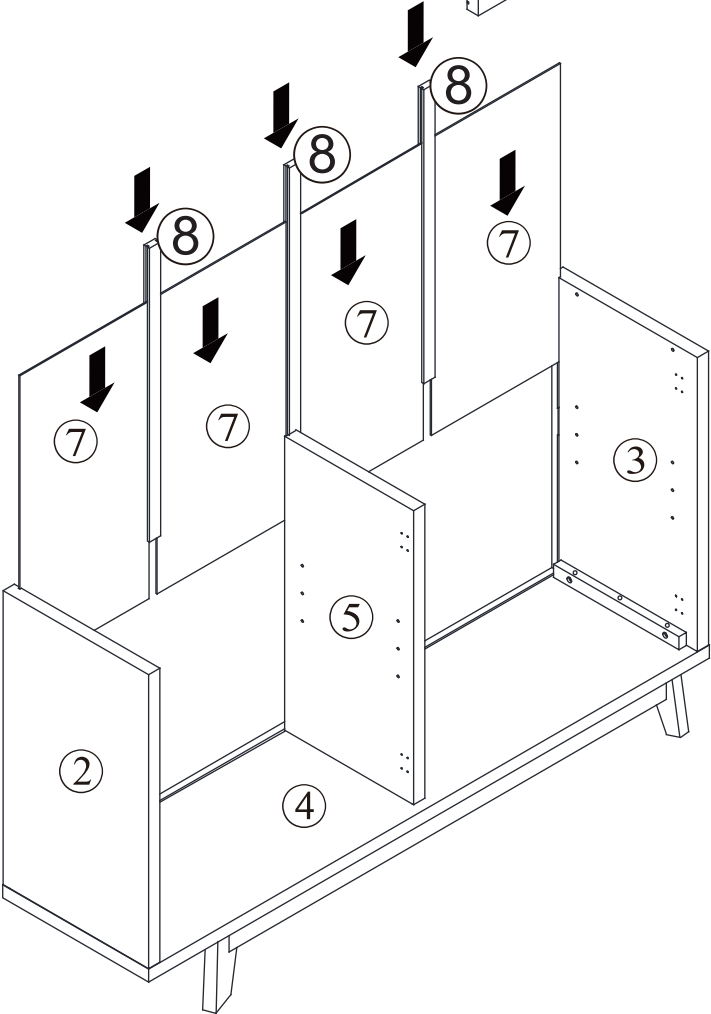
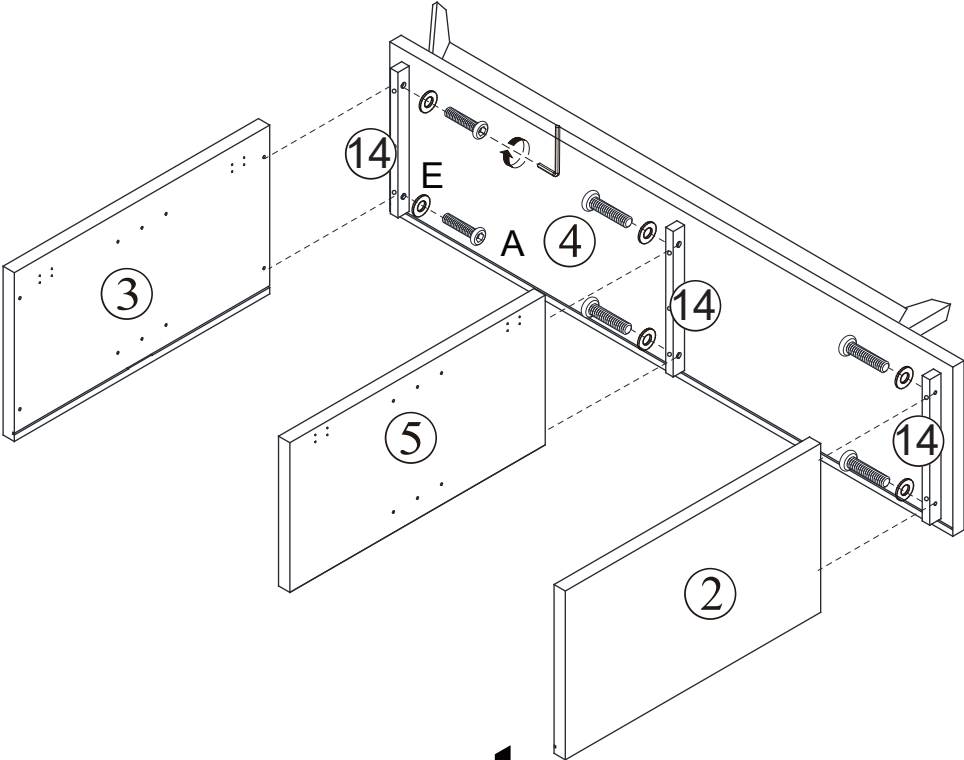
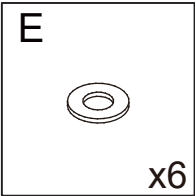
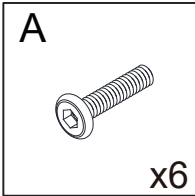
# STEP 1



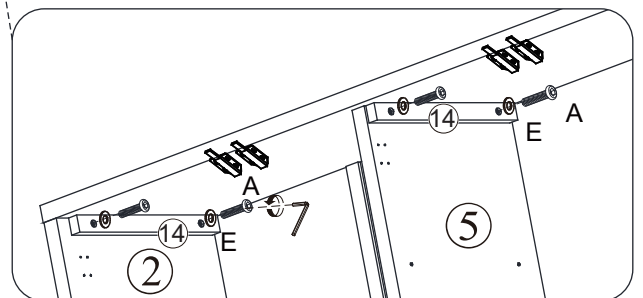
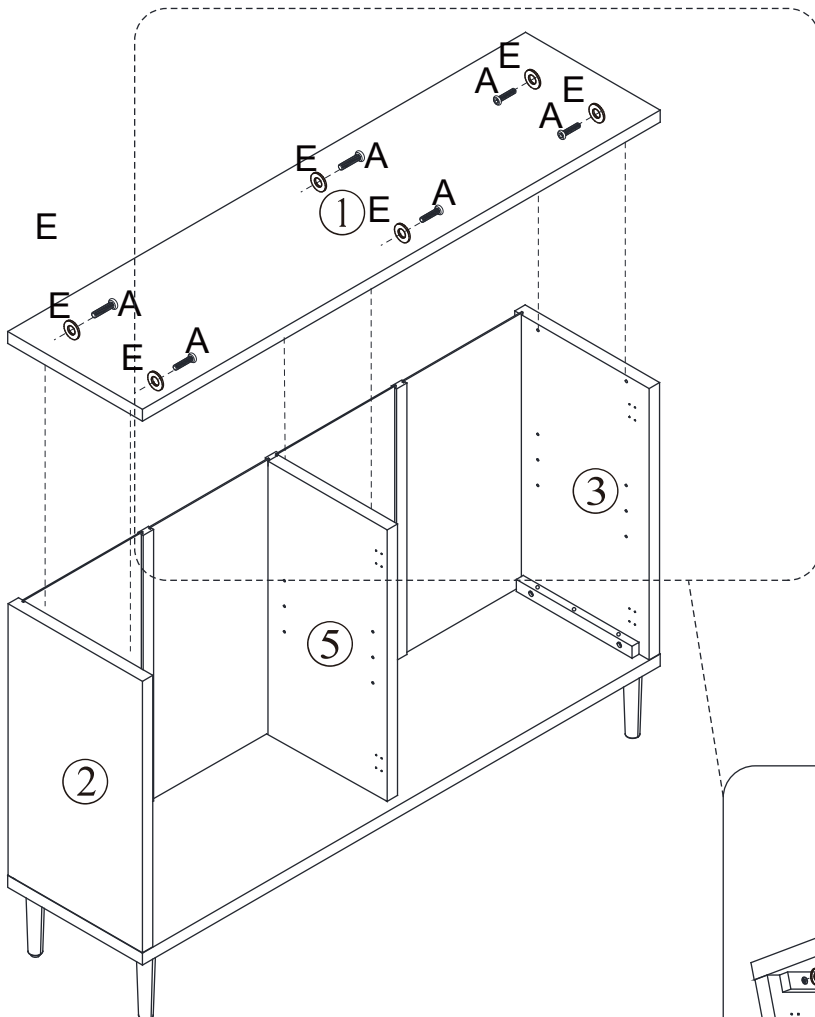
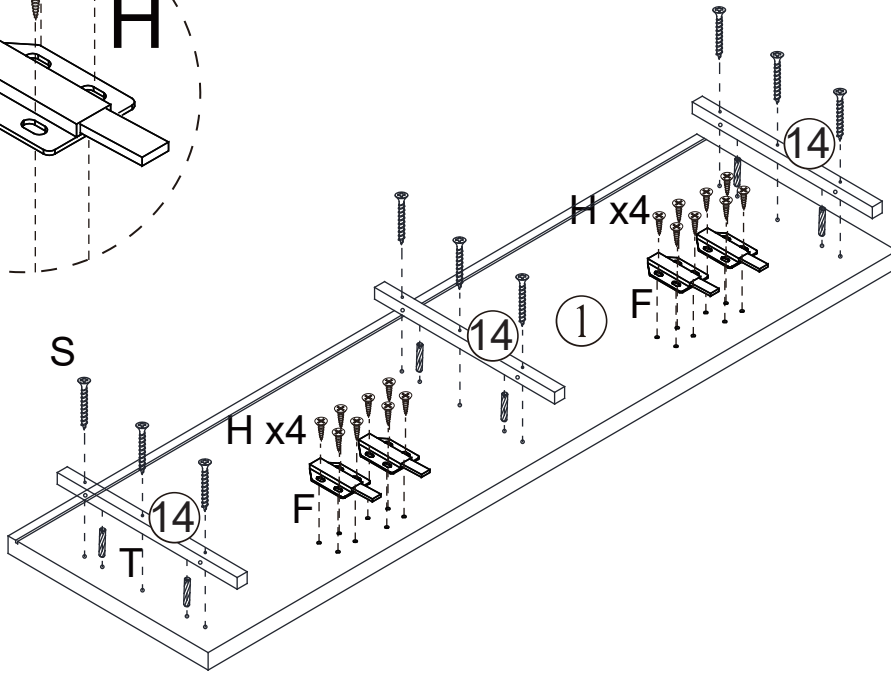
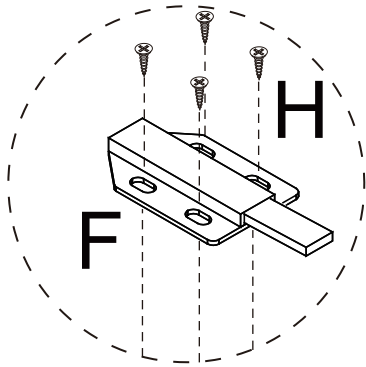
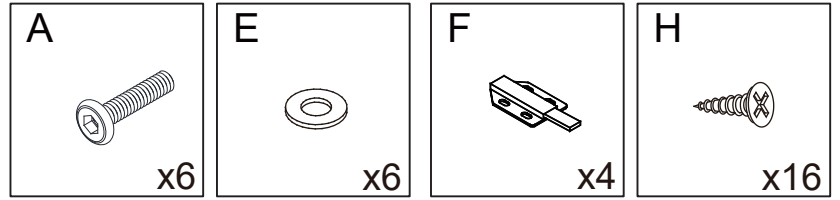
# STEP 2



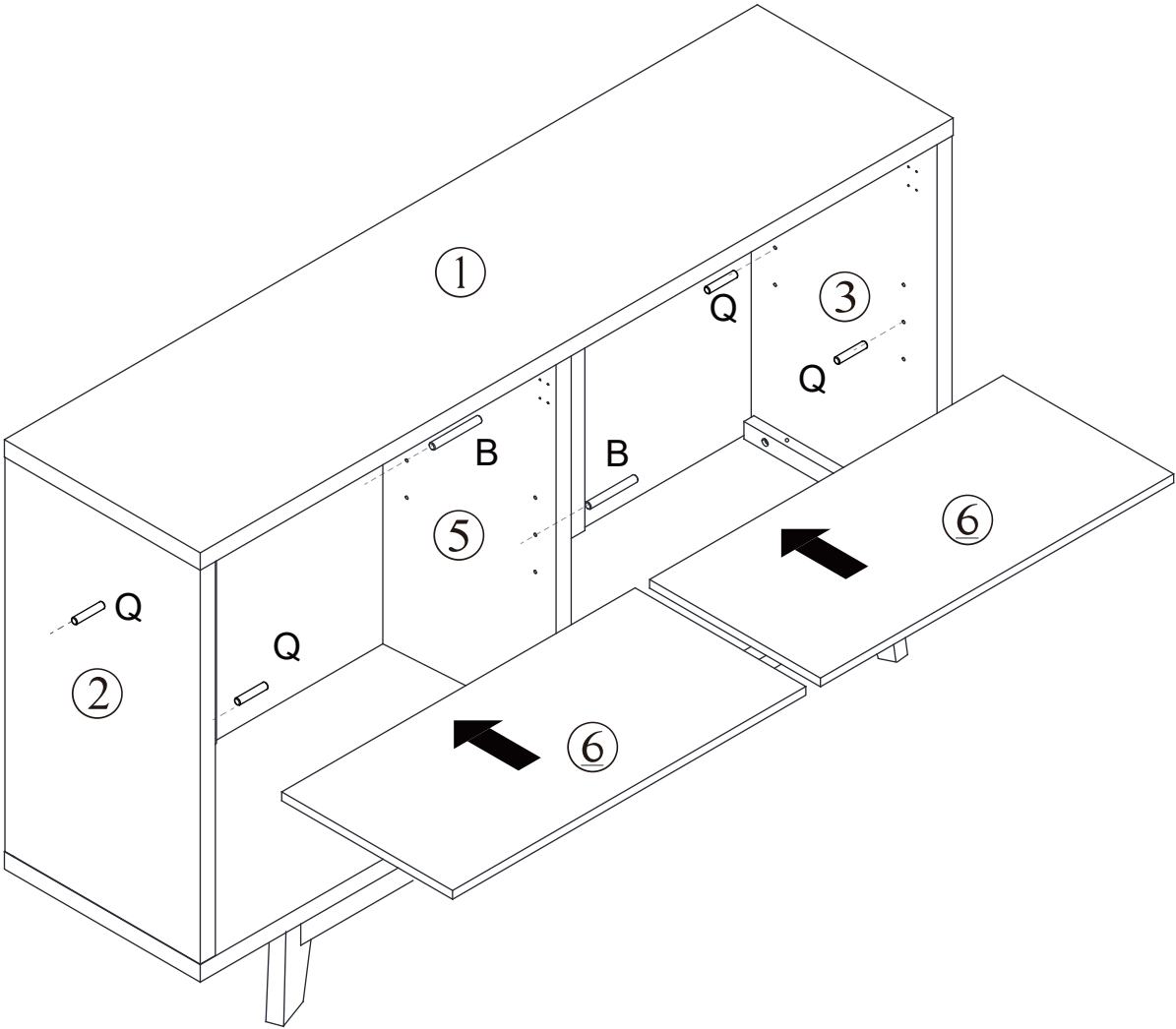
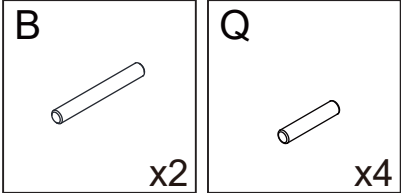
# STEP 3




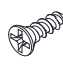
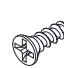


# STEP 3

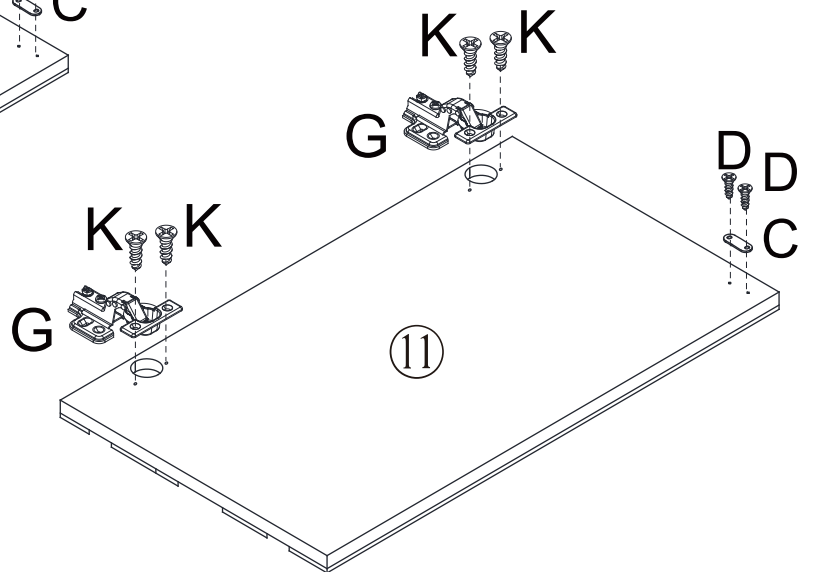
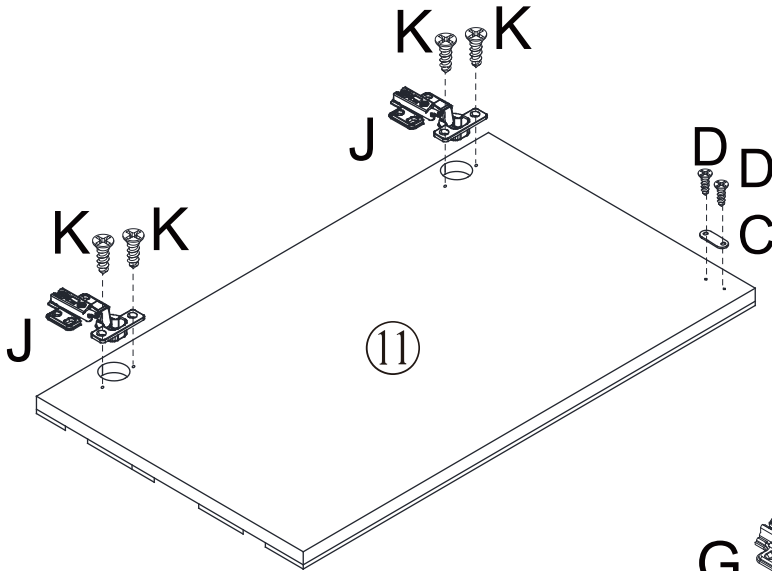
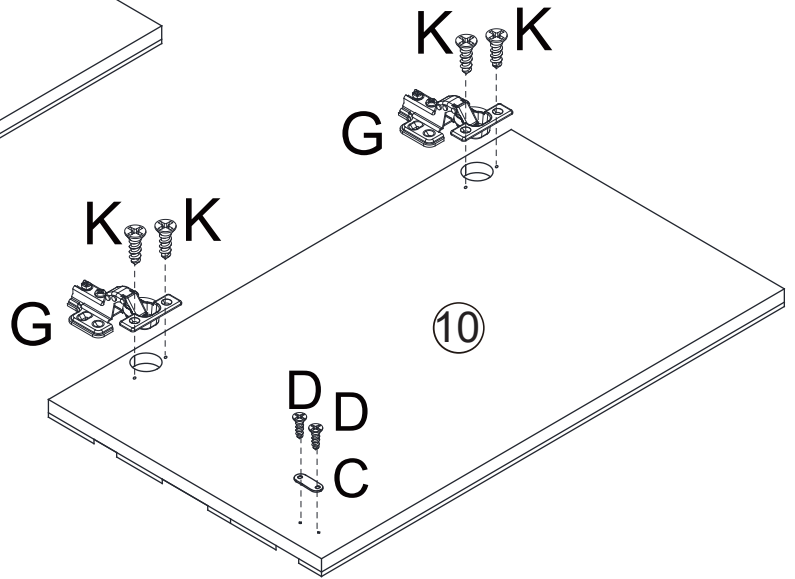
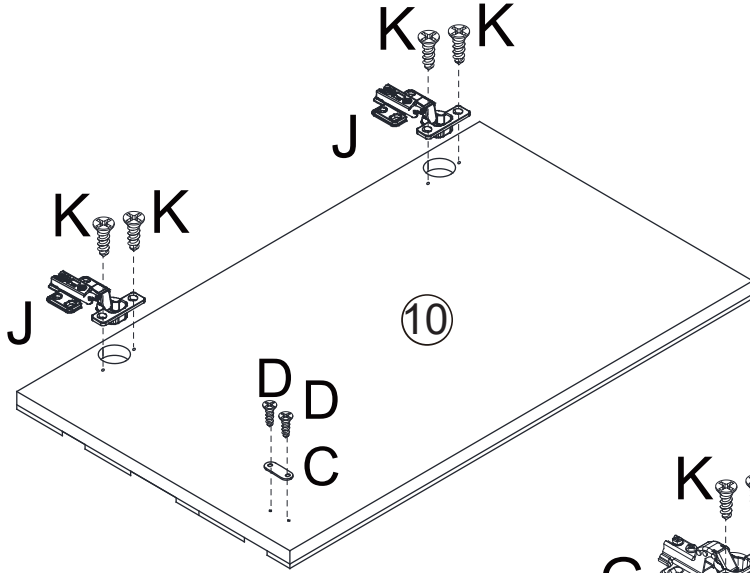


# STEP 4

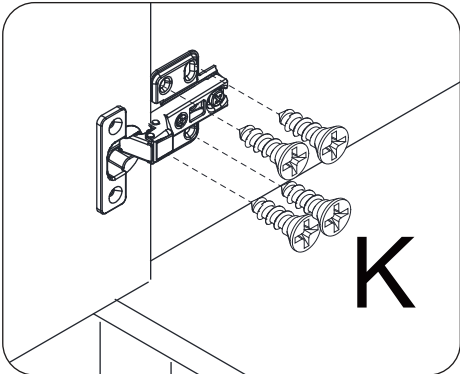
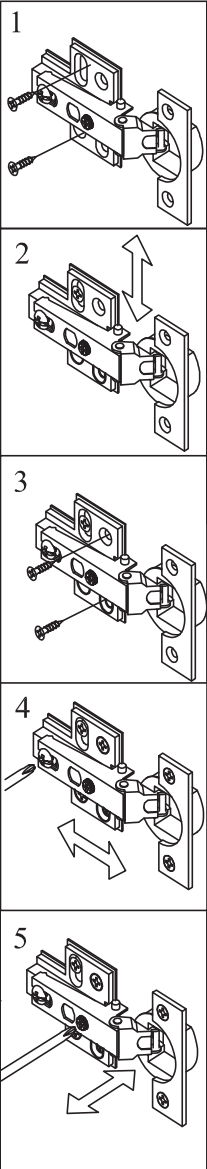
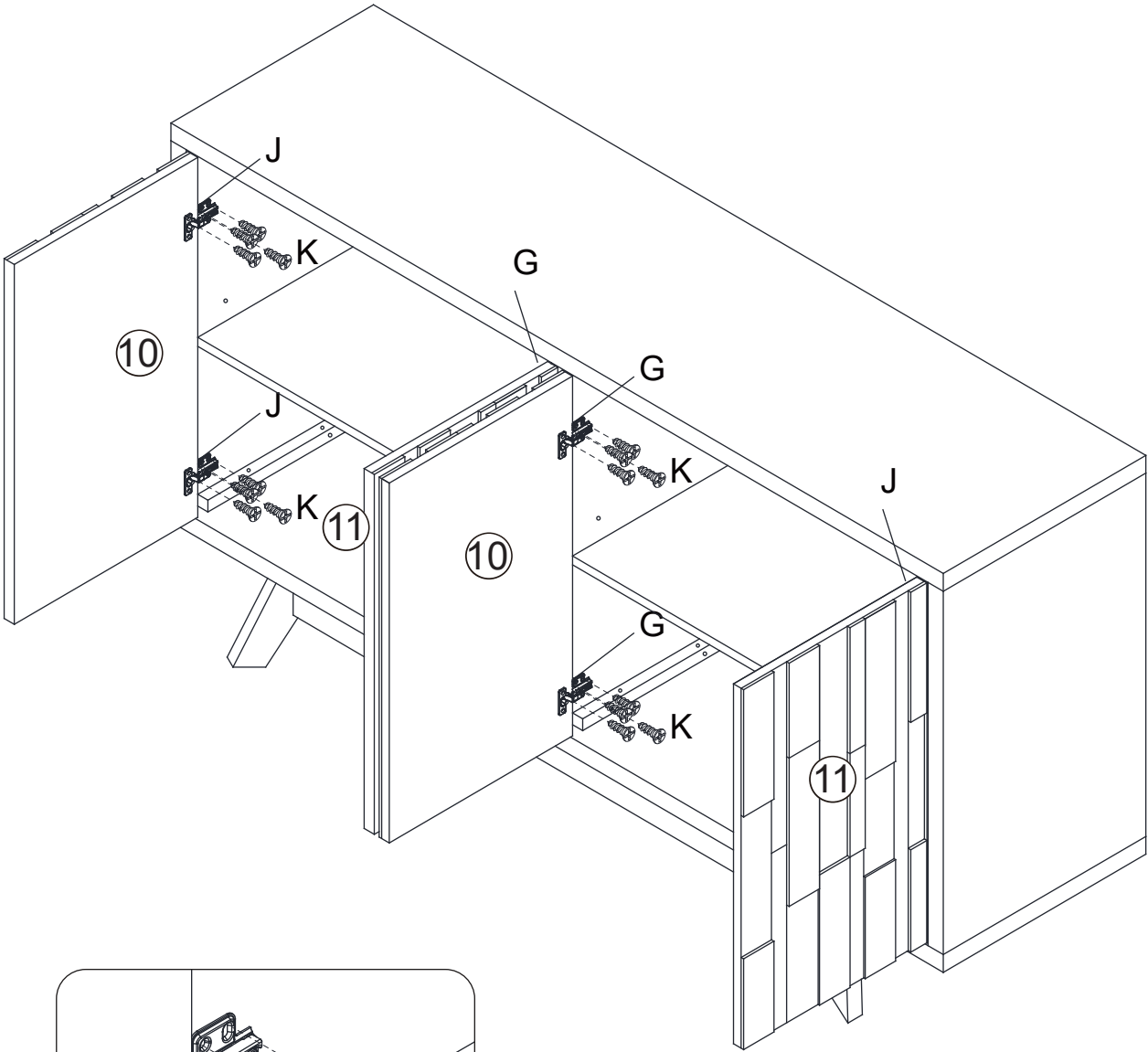
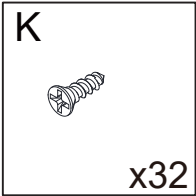


# STEP 5

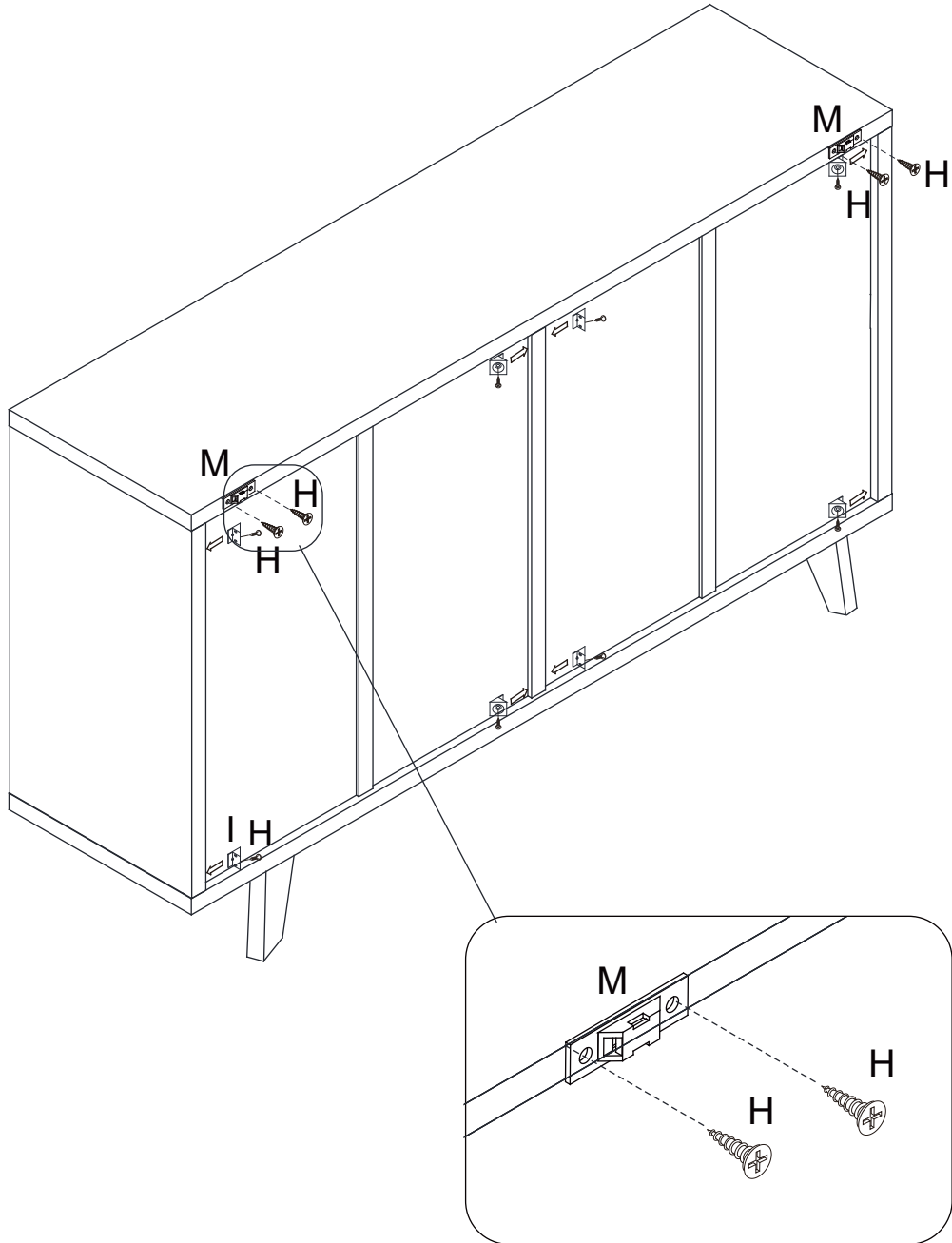
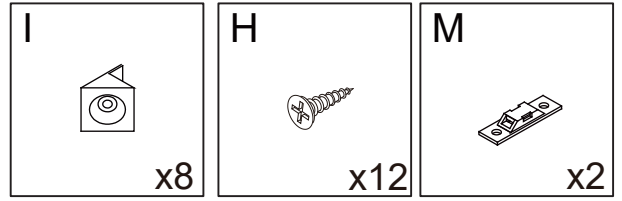
<b>C</b>  x4	<b>D</b>  x8	<b>K</b>  x16	<b>J</b>  x4	<b>G</b>  x4
---	---	---	---	---



# STEP 6



# STEP 7



# STEP 8

