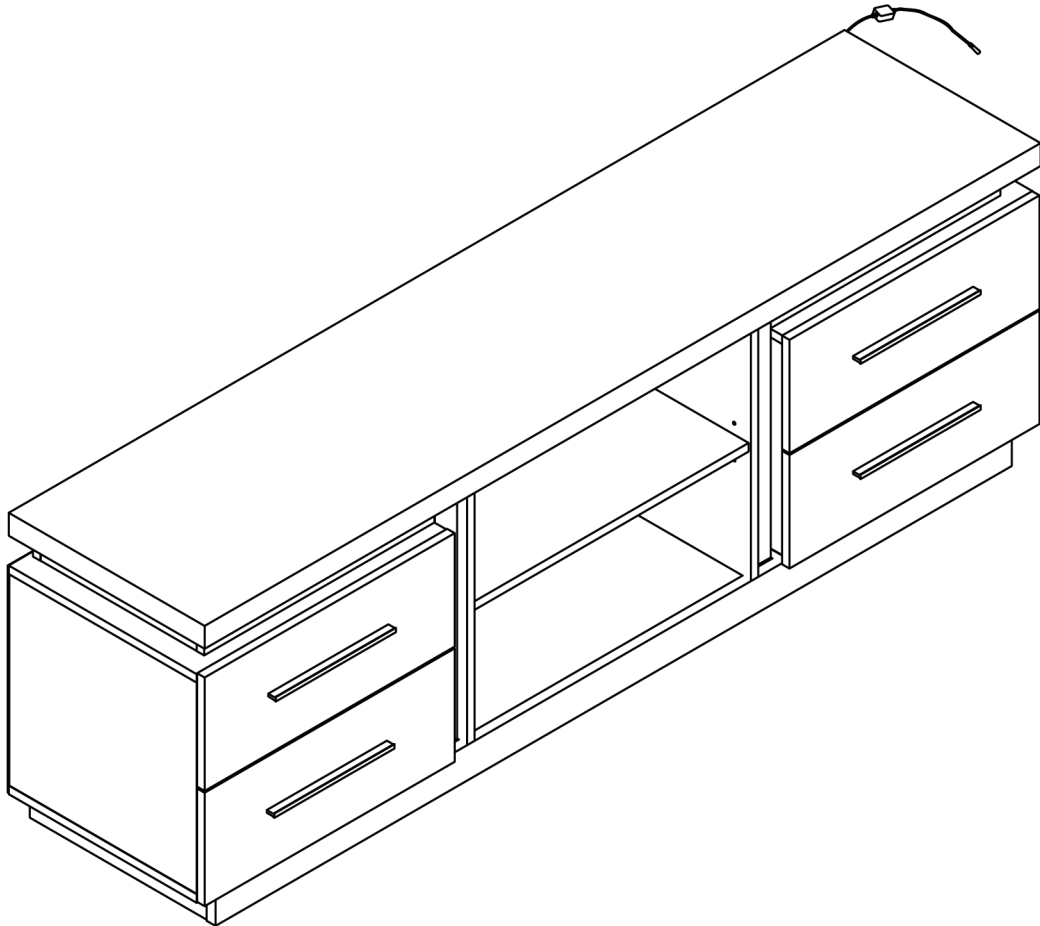


TV Stand



The instruction booklet contains **IMPORTANT** safety information. Please read it in full and keep it for future reference.

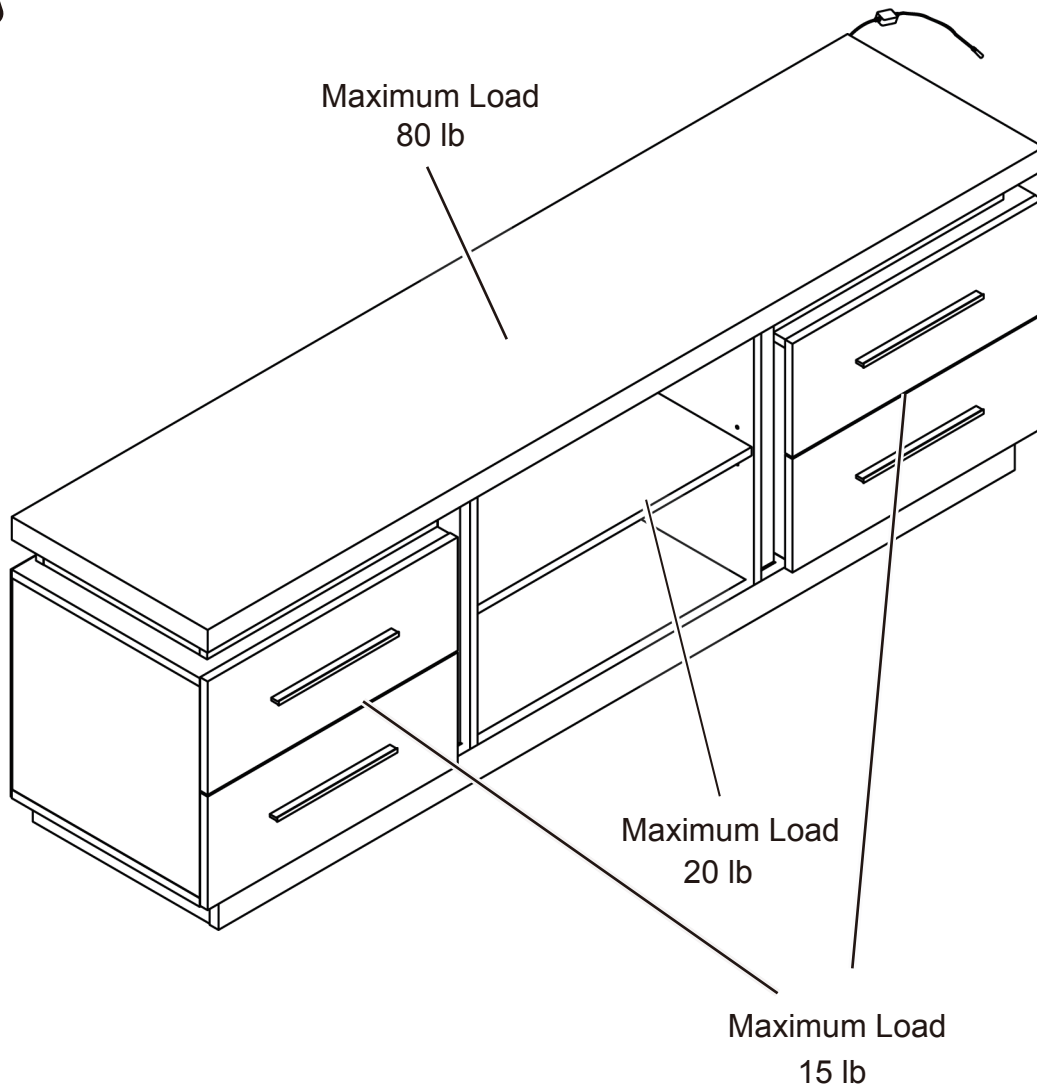


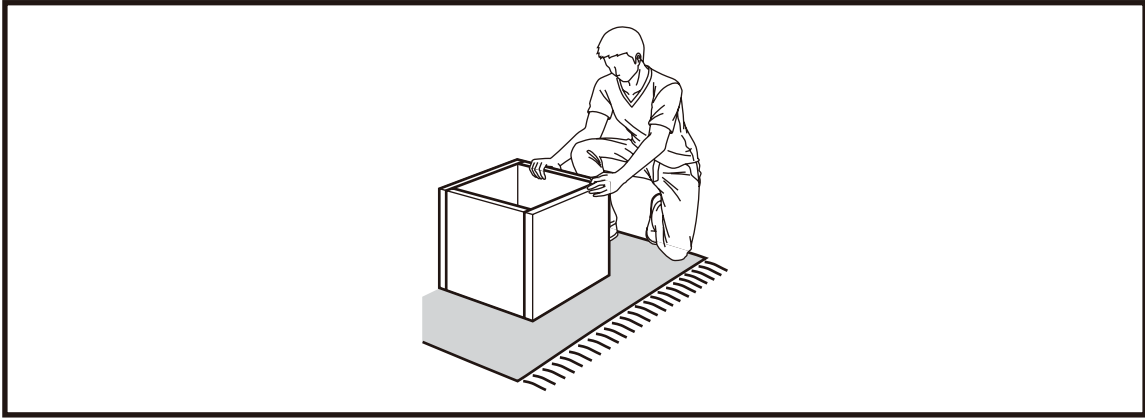
Estimated time for assembly:

120 mins



Weight limitations are as follows:

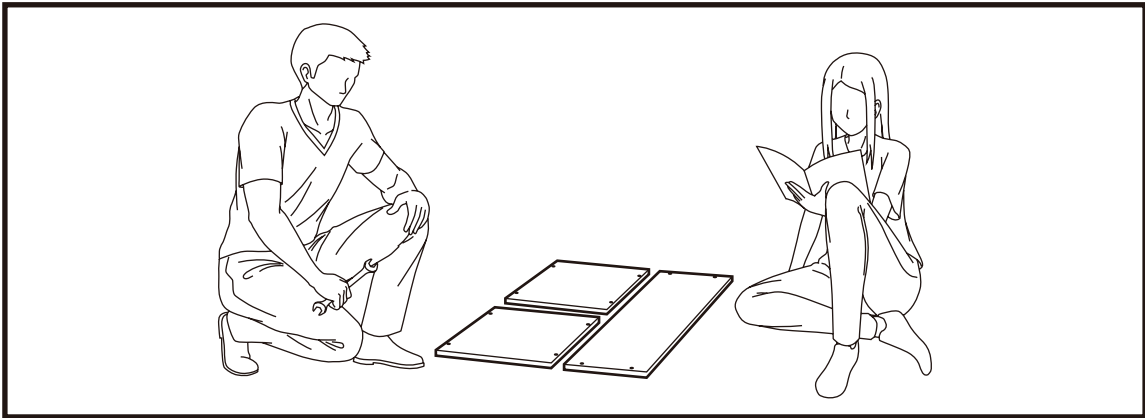




Assemble the furniture on an empty carton, carpet, or rug to prevent scratches or damage.

For safety, please keep pets and children away from the assembly area.

Ensure the product is fully assembled before use. If you are missing any hardware or products, do not use it until you have restored the missing parts.



This furniture requires 2 people for assembly.

Read this instruction manual prior to assembly to familiarize yourself with the various steps.

Lay out all components and hardware separately on a flat surface and make sure that no parts are missing or damaged before assembly. Do not destroy or discard any packaging until you are certain that you have all the necessary parts for assembly.

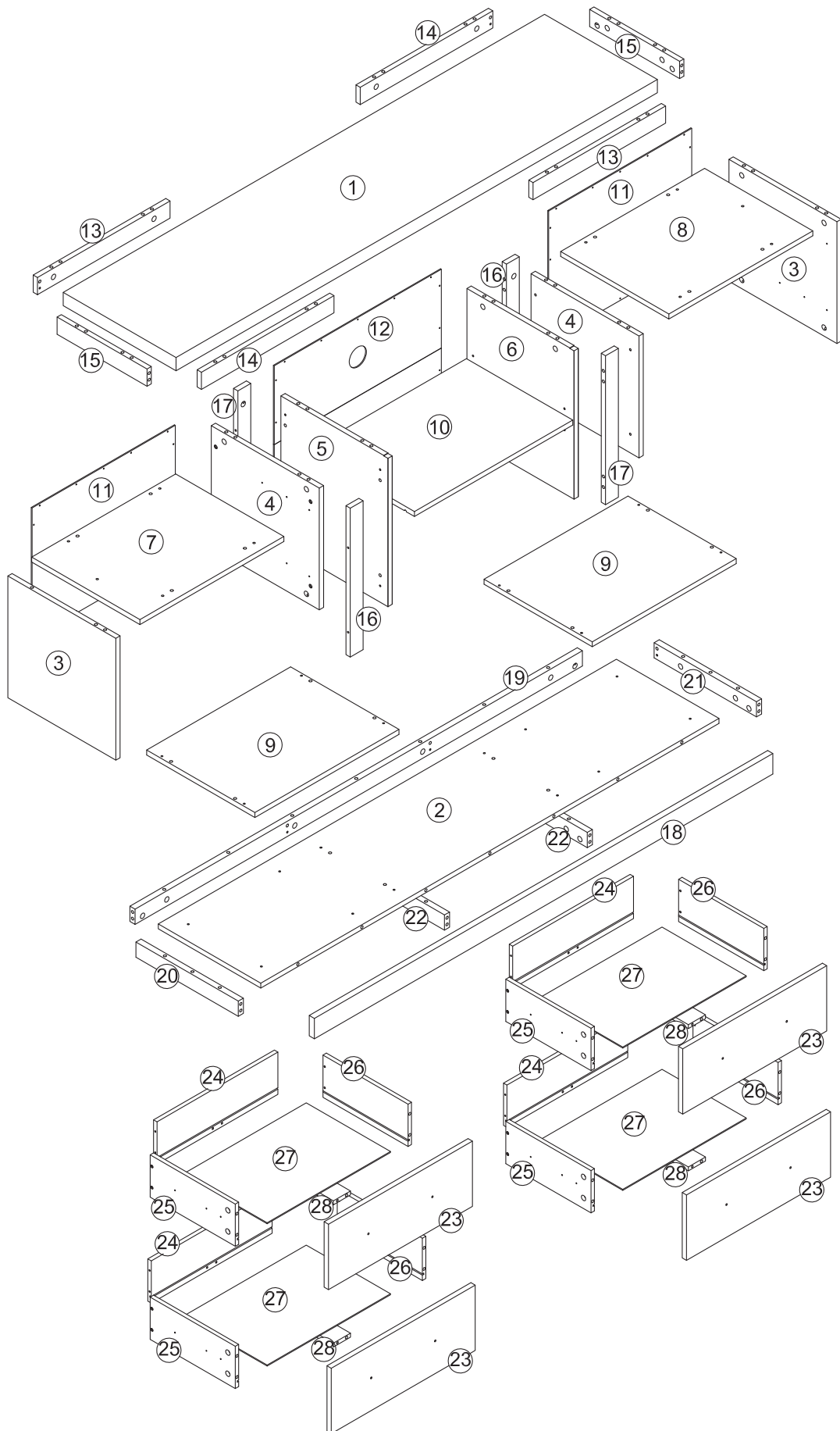
Hand tight all hardware and careful not to over tighten to avoid damaging the product.

CAUTION

There are small components used in the construction of this product. Loose items should be kept away from pets and children to avoid a choking hazard.

Keep all plastic bags and packaging film away from pets and children to avoid suffocation.

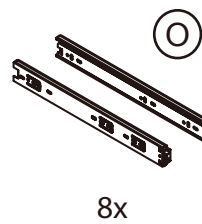
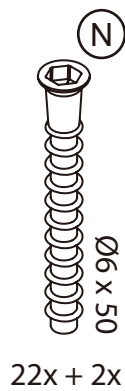
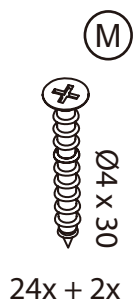
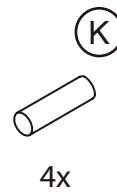
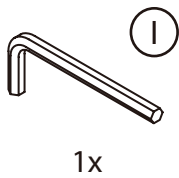
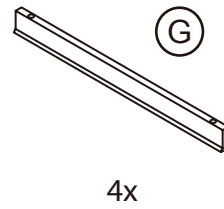
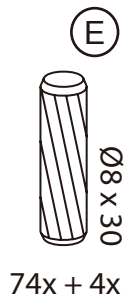
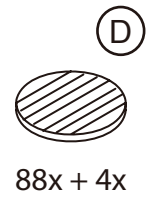
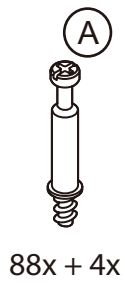
PACKAGE CONTENTS



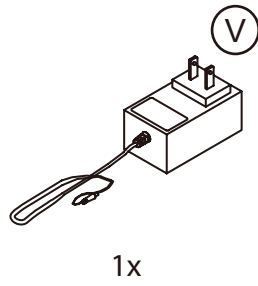
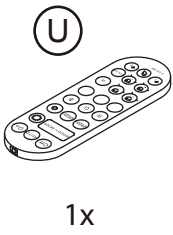
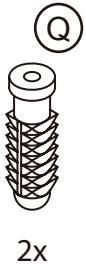
PACKAGE CONTENTS

CODE	DESCRIPTION	QTY
1	Top Panel	1
2	Bottom Panel	1
3	Outermost Side Panel	2
4	Inner Side Panel	2
5	Left Medial Panel	1
6	Right Medial Panel	1
7	Left Upper Panel	1
8	Right Upper Panel	1
9	Bottom Elevated Panel	2
10	Storage Shelf Panel	1
11	Side Back Panel	2
12	Center Back Panel	1
13	Upper Elevate Panel Support Strip	2
14	Upper Elevate Panel Support Strip	2
15	Upper Elevate Panel Support Strip	2
16	Vertical Support Strip	2
17	Vertical Support Strip	2
18	Front Base Strip	1
19	Back Base Strip	1
20	Left Base Strip	1
21	Right Base Strip	1
22	Center Base Strip	2
23	Drawer Front Panel	4
24	Drawer Back Panel	4
25	Drawer Left Panel	4
26	Drawer Right Panel	4
27	Drawer Bottom Panel	4
28	Drawer Support Panel	4

PACKAGE CONTENTS

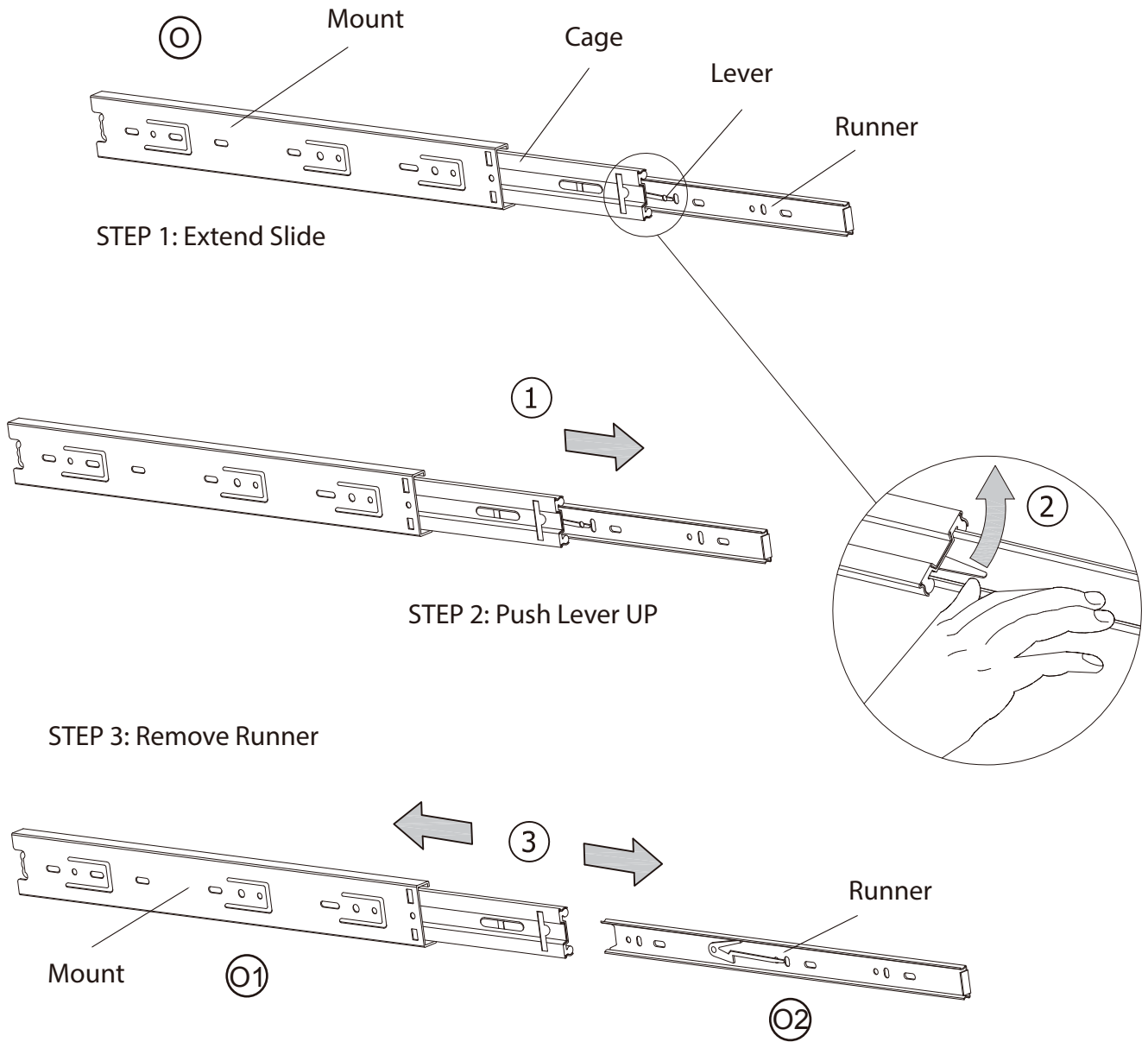


Install all hardware perpendicular to the opening.

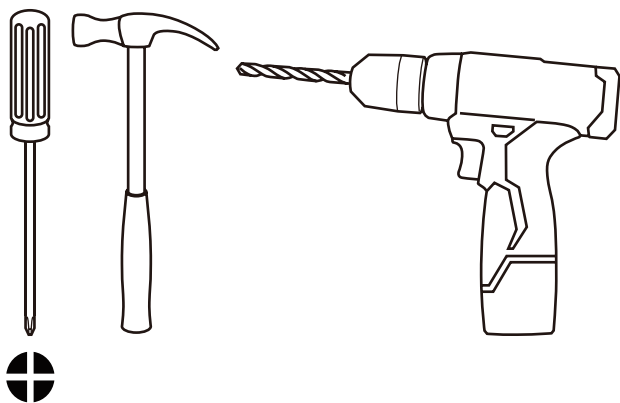


Install all hardware perpendicular to the opening.

Slides Must Be Separated Before Assembly.
After Separated, Set Aside Until Needed for Assembly.

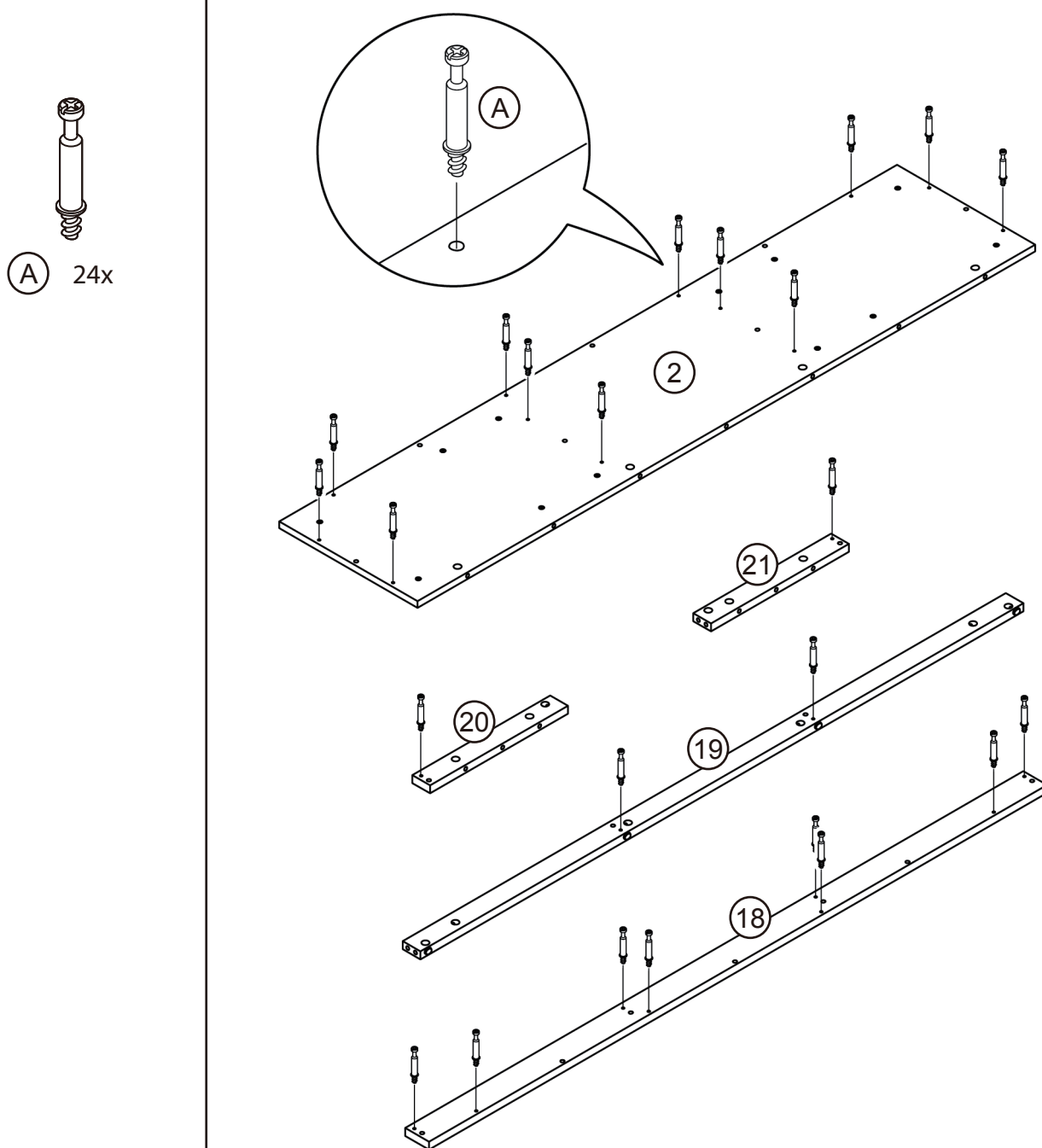


Required tools for assembly (Not included)



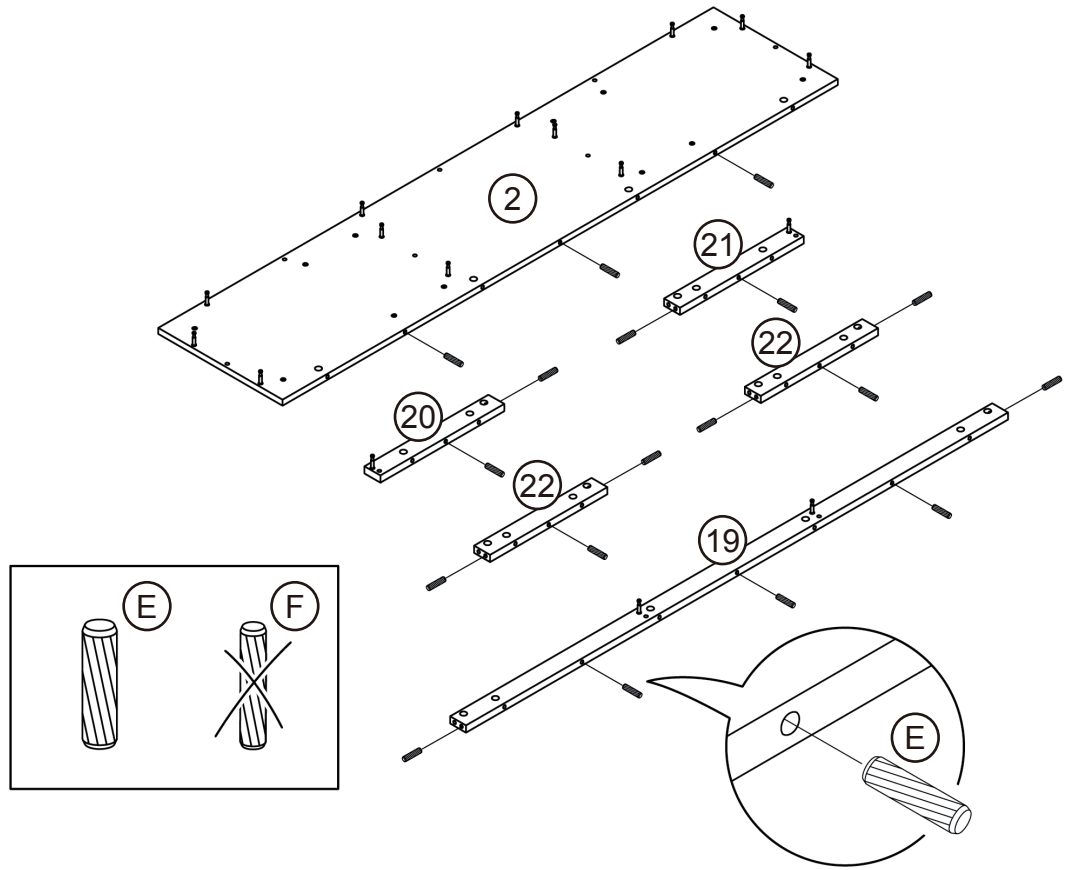
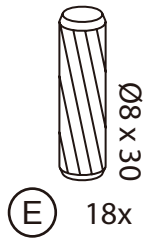
1

Attach cam bolts to the bottom panel (2) and base strips (18, 19, 20, 21).



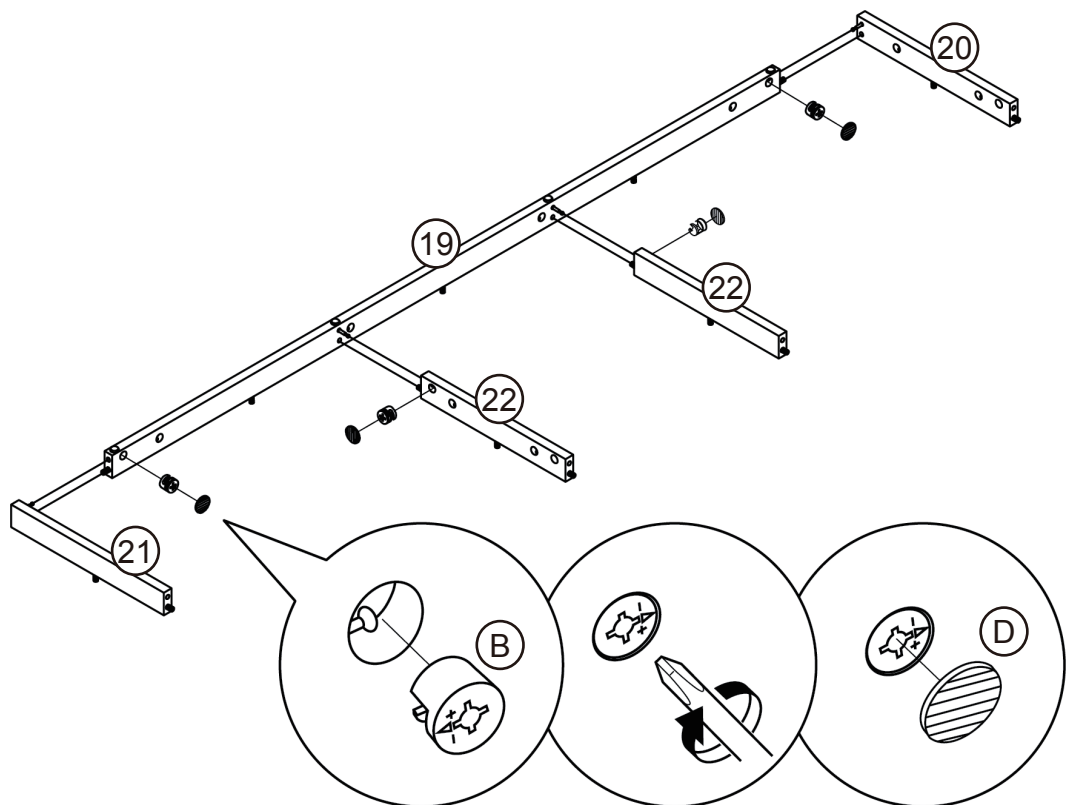
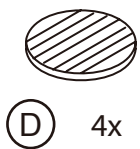
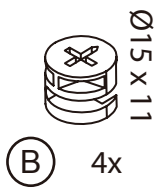
2

Insert wood dowels into the bottom panel (2) and base strips (19, 20, 21, 22).





3

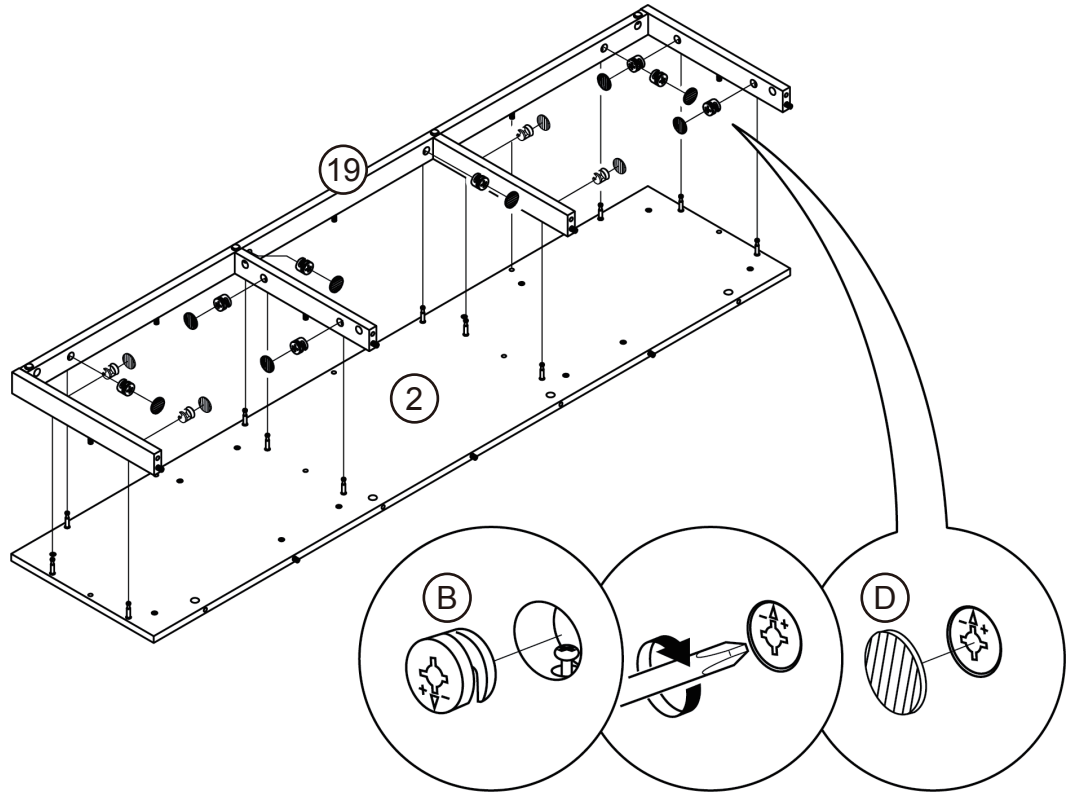
Assemble the left and right base strips (20, 21), center base strips (22) to the back base strip (19).



4


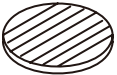
Assemble the base assembly to the bottom panel (2).

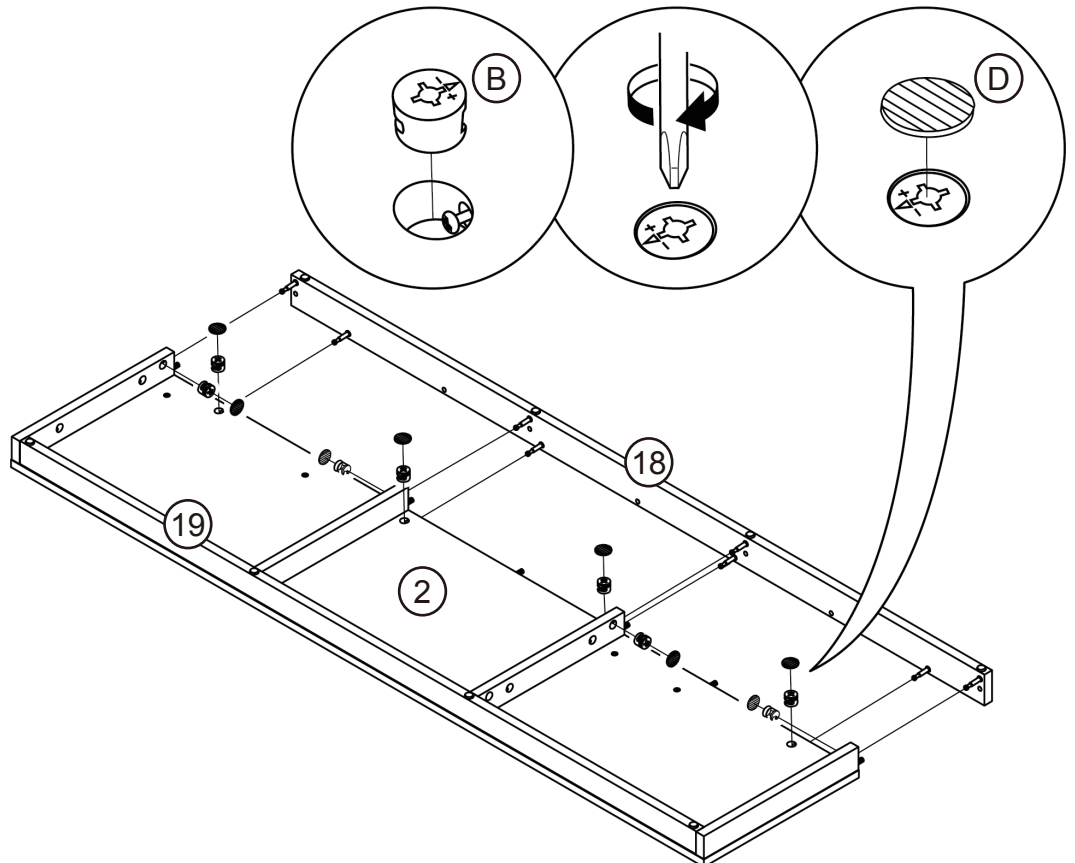
-  Ø15x11
- (B) 12x
- 
- (D) 12x



5

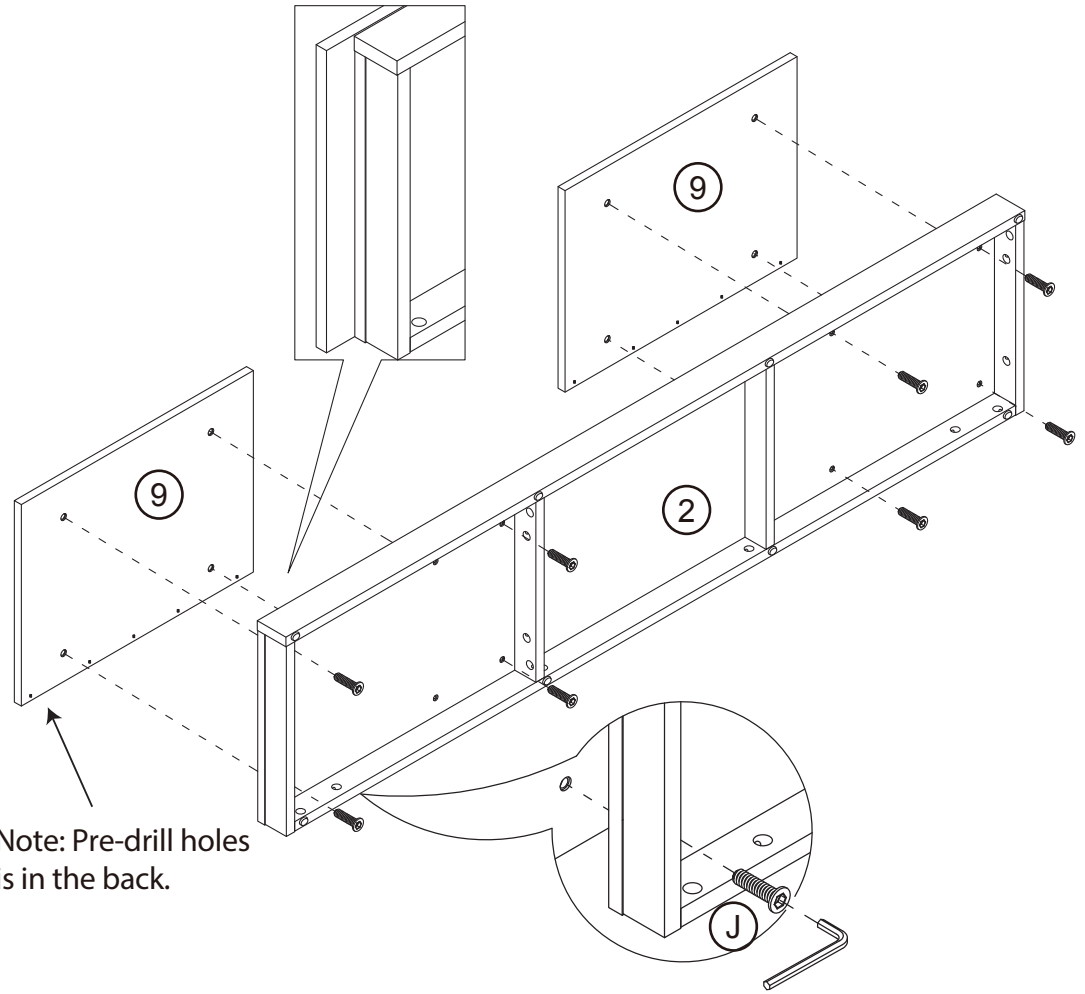
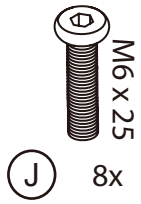
Assemble the front base strip (18) to the bottom panel (2).

-  Ø15x11
- (B) 8x
- 
- (D) 8x



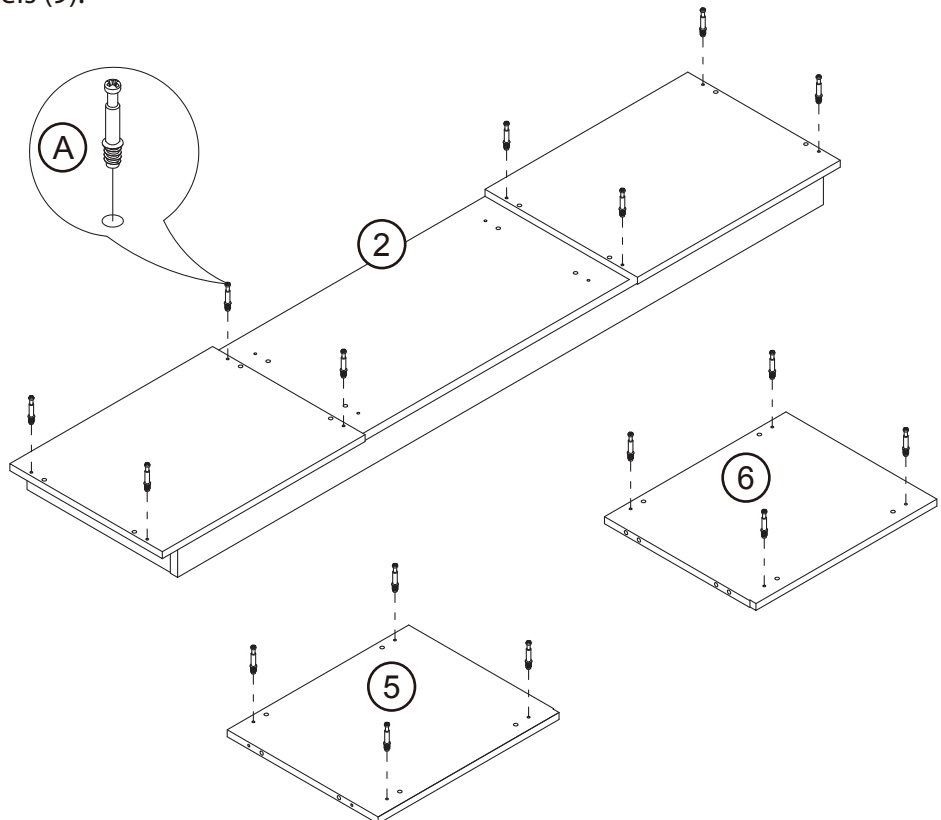
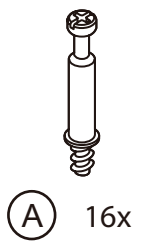
6

Assemble the bottom elevated panels (9) on top of the bottom panel (2).



7

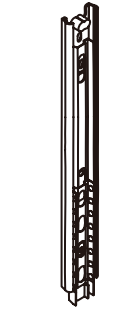
Attach cam bolts on the medial panels (5, 6) and on top of the bottom elevated panels (9).



8

Attach slider brackets to the side panels (3, 4).

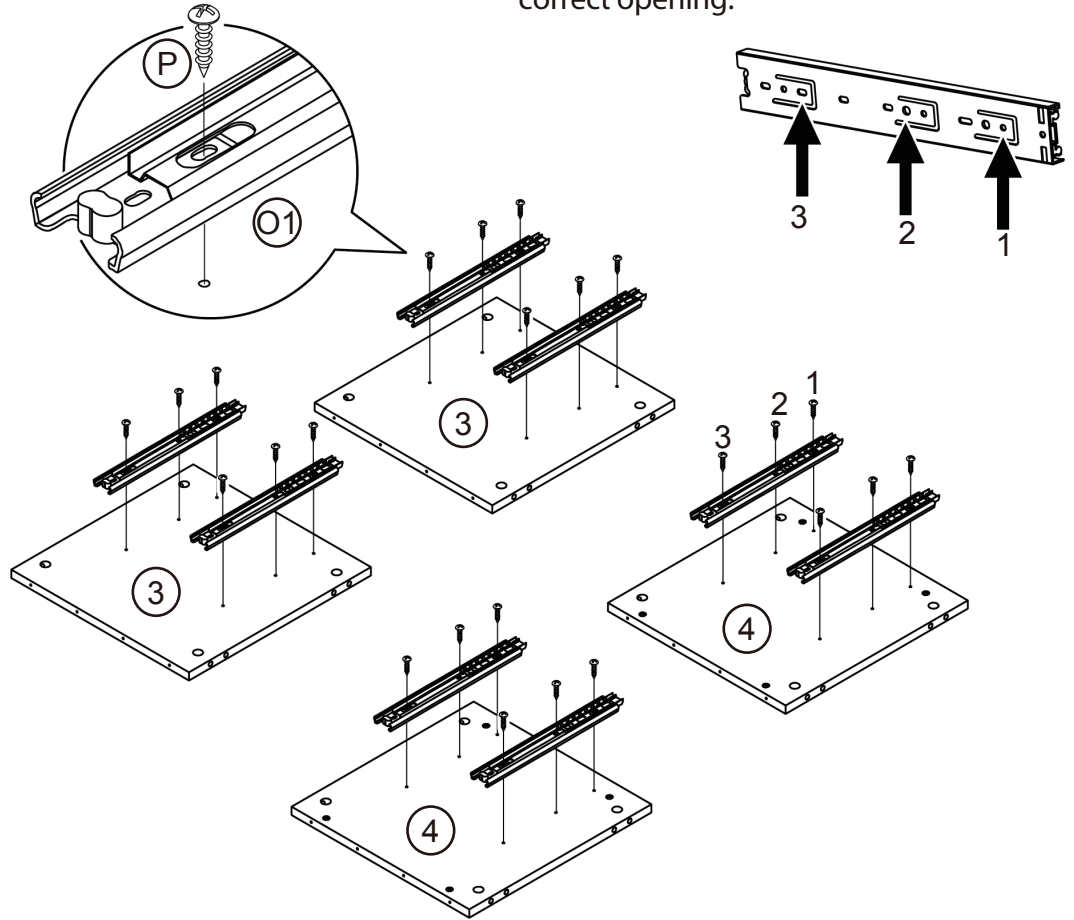
Note: Make sure to insert screws in the correct opening.



(O1) 8x

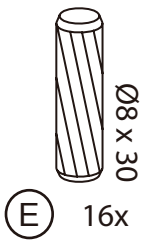
Ø3.5 x 12

(P) 24x

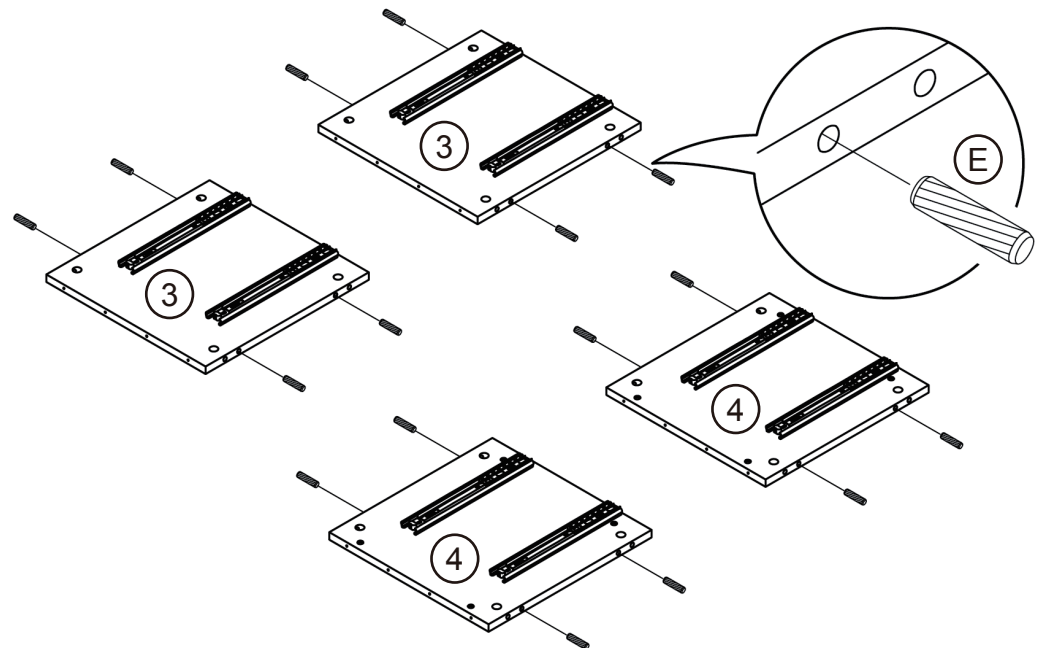


9

Insert wood dowels to the side panels (3, 4).

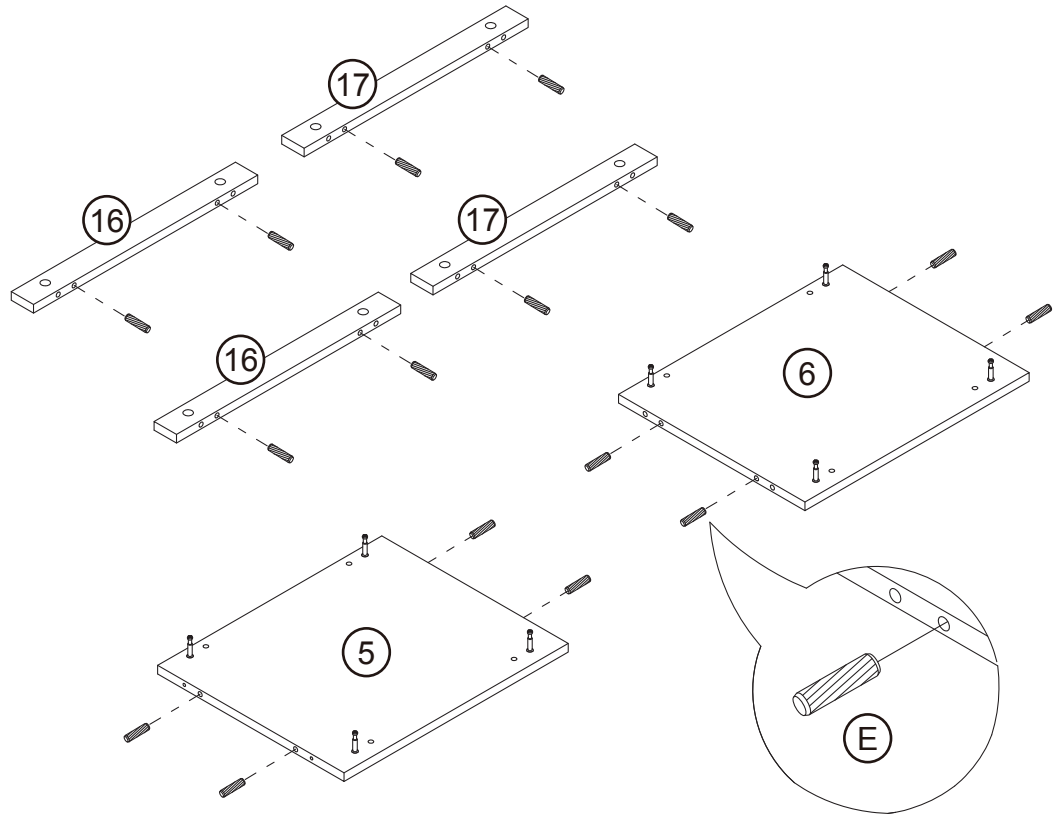
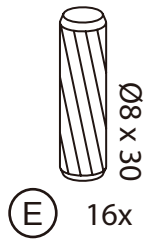


(E) 16x



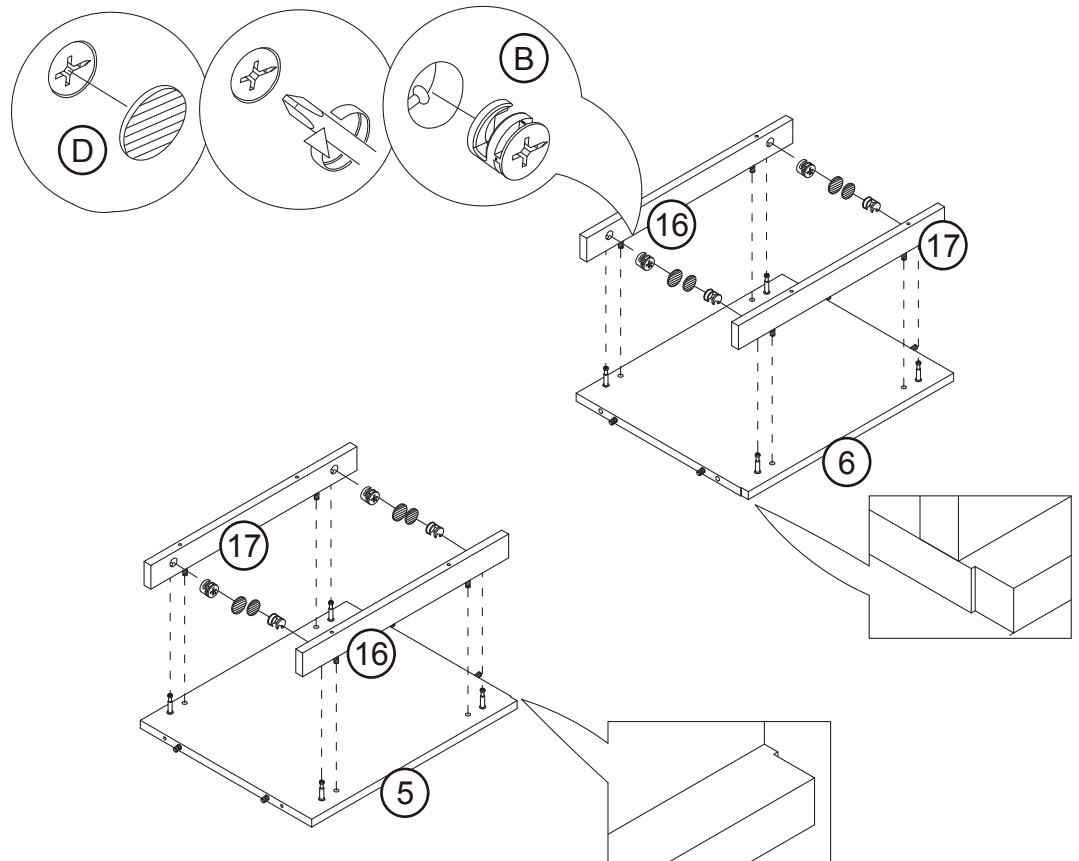
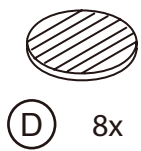
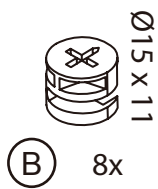
10

Insert wood dowels to the medial panels (5, 6) and vertical support strips (16, 17).



11

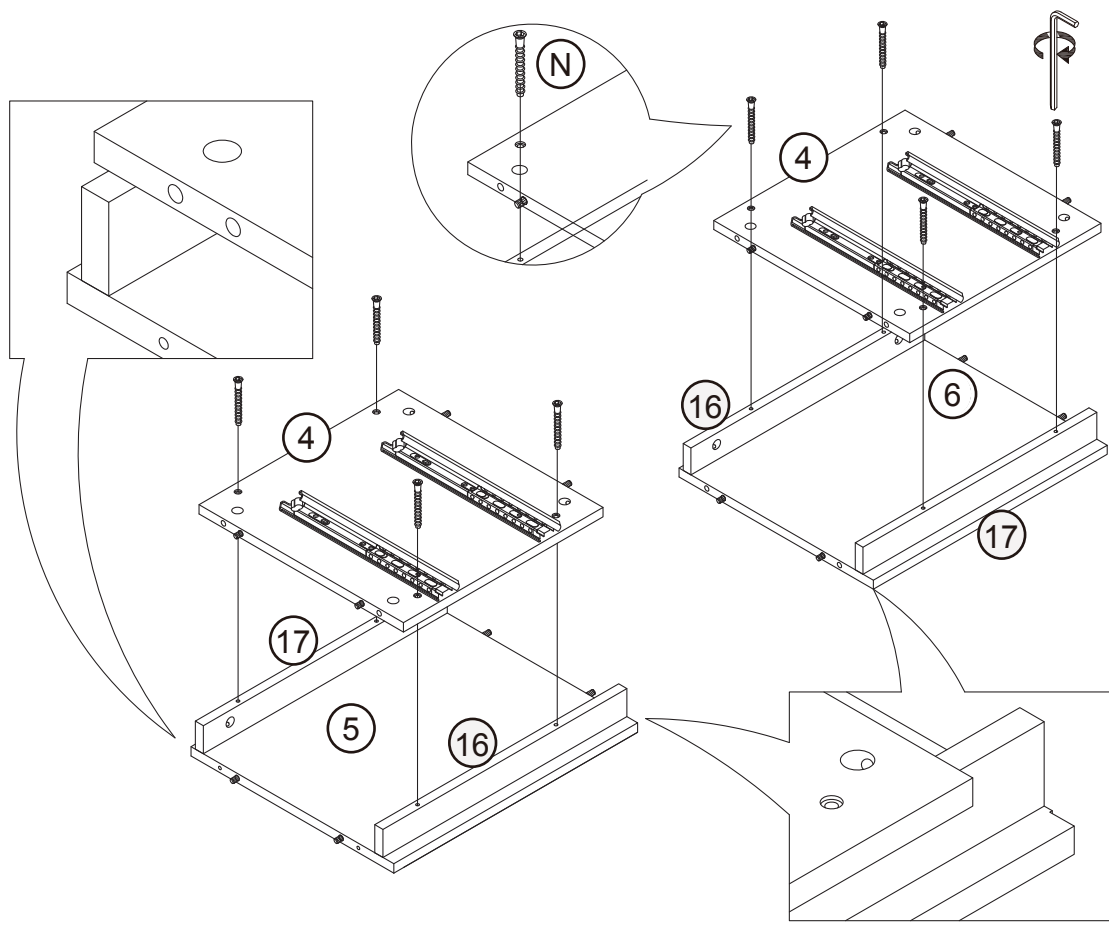
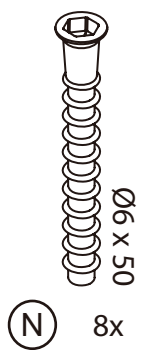
Assemble vertical support strips (16, 17) to the medial panels (5, 6) respectively.



Note: The gap is in the front.

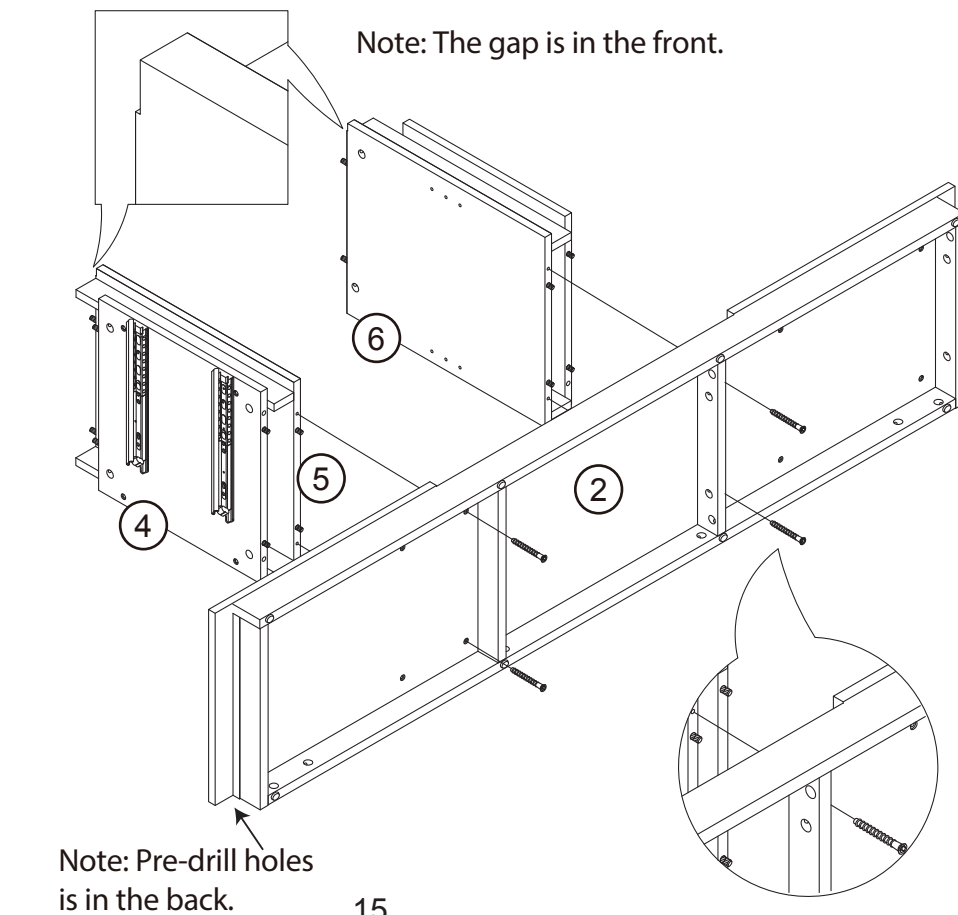
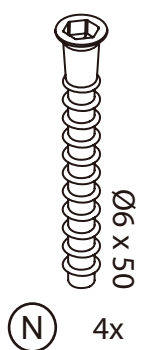
12

Assemble the inner side panels (4) to the medial panel assembly respectively.



13

Assemble the medial panel assemblies on top of the bottom panel.

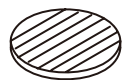


14

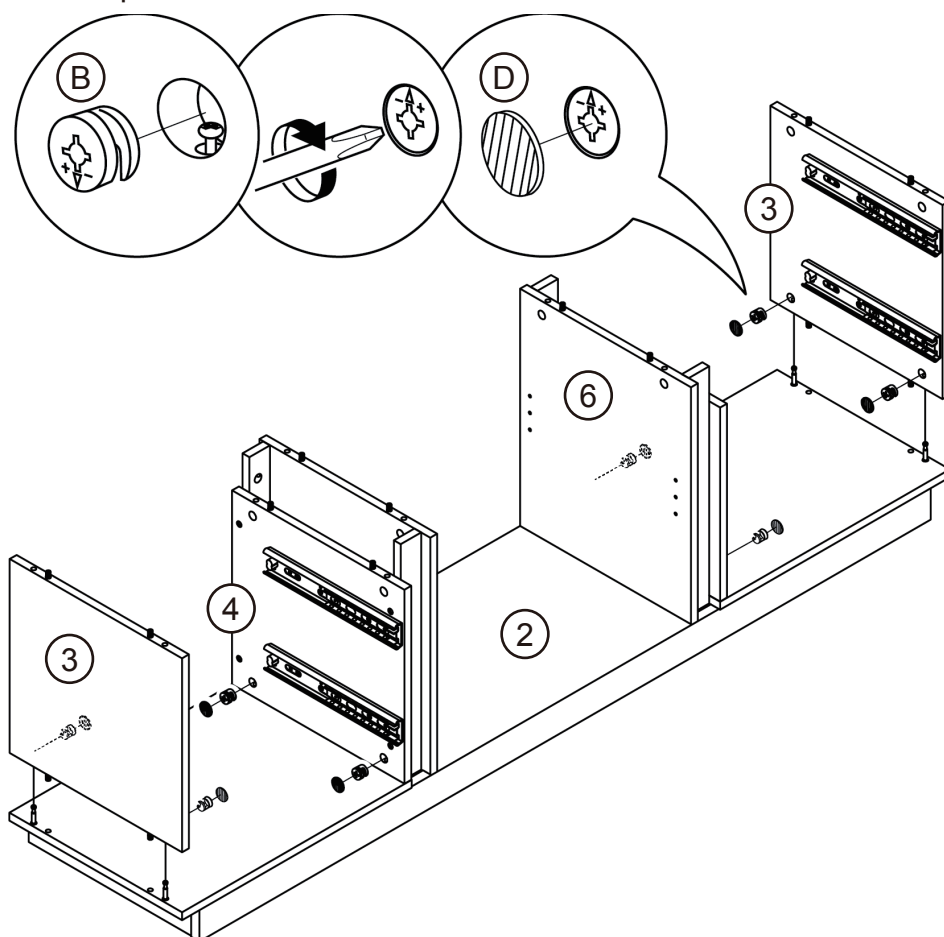
Assemble the outer most side panels (3) on the base, and secure the inner side panels (4) in place.



(B) 8x



(D) 8x

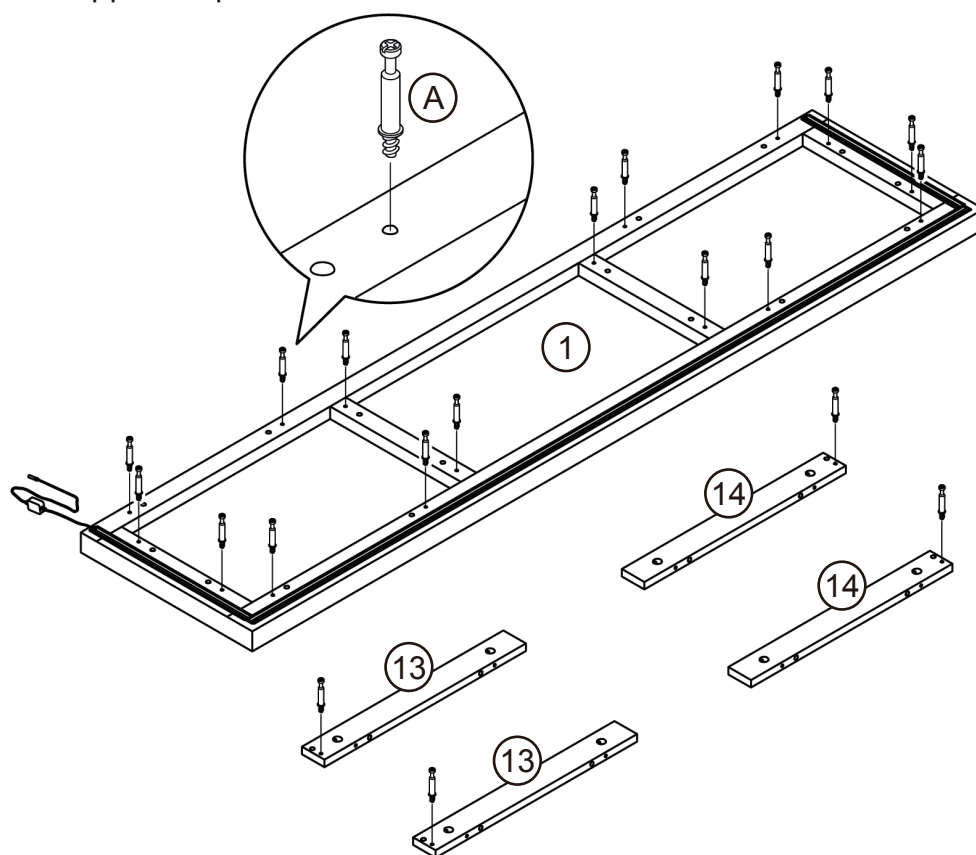


15

Attach cam bolts to the underside of the top panel (1) and the upper elevate panel support strips (13, 14).

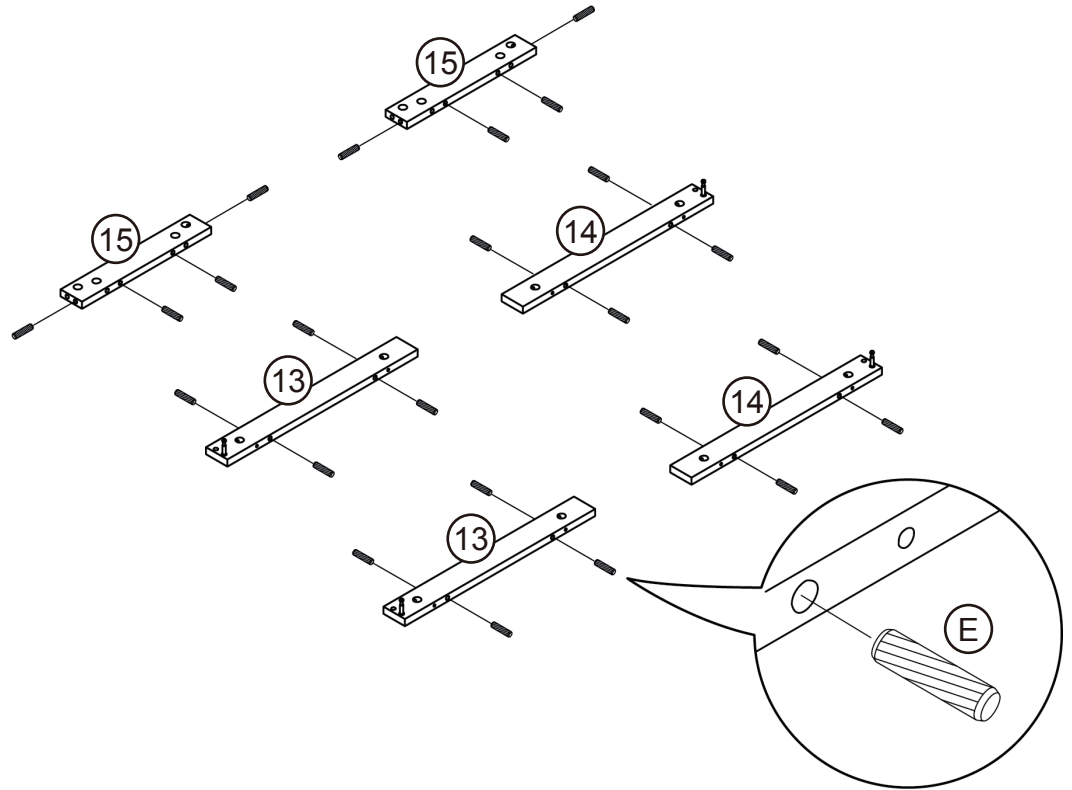
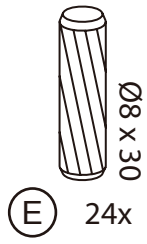


(A) 20x



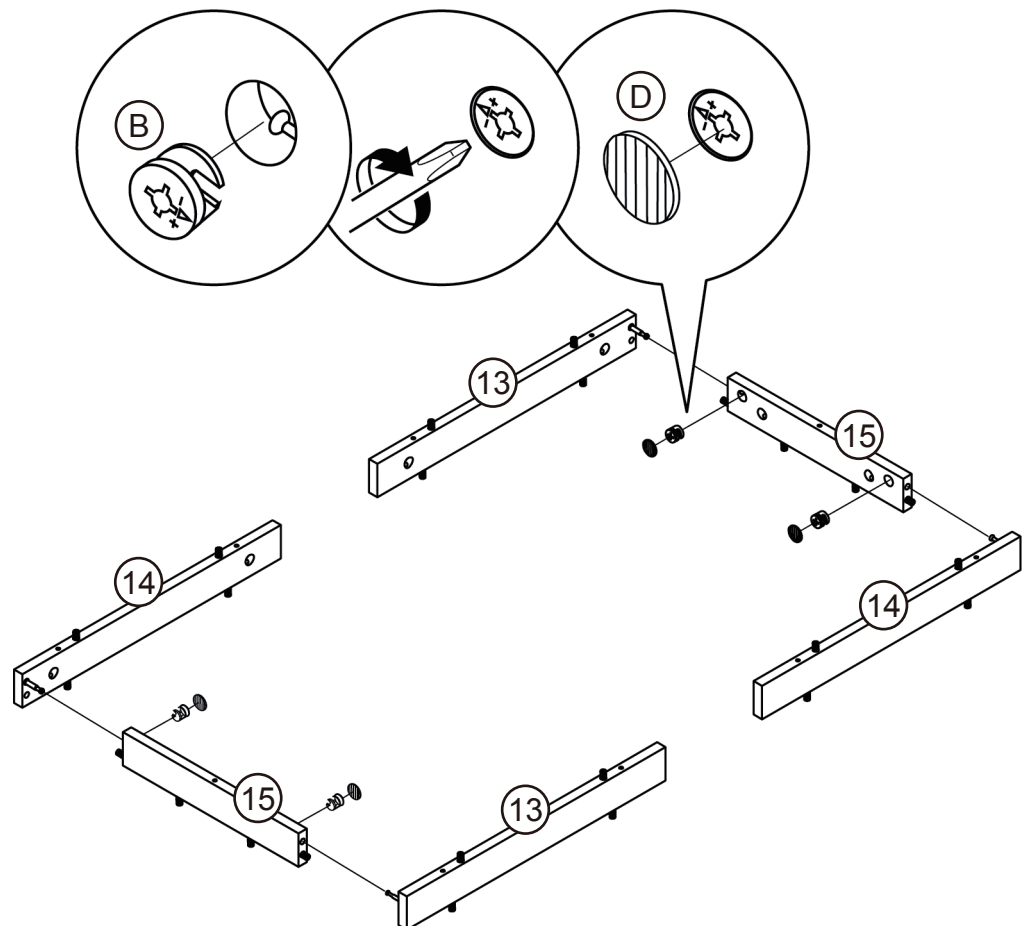
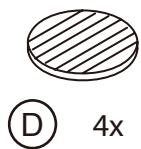
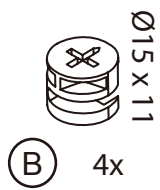
16

Insert wood dowels to the upper elevate panel support strips (13, 14, 15).



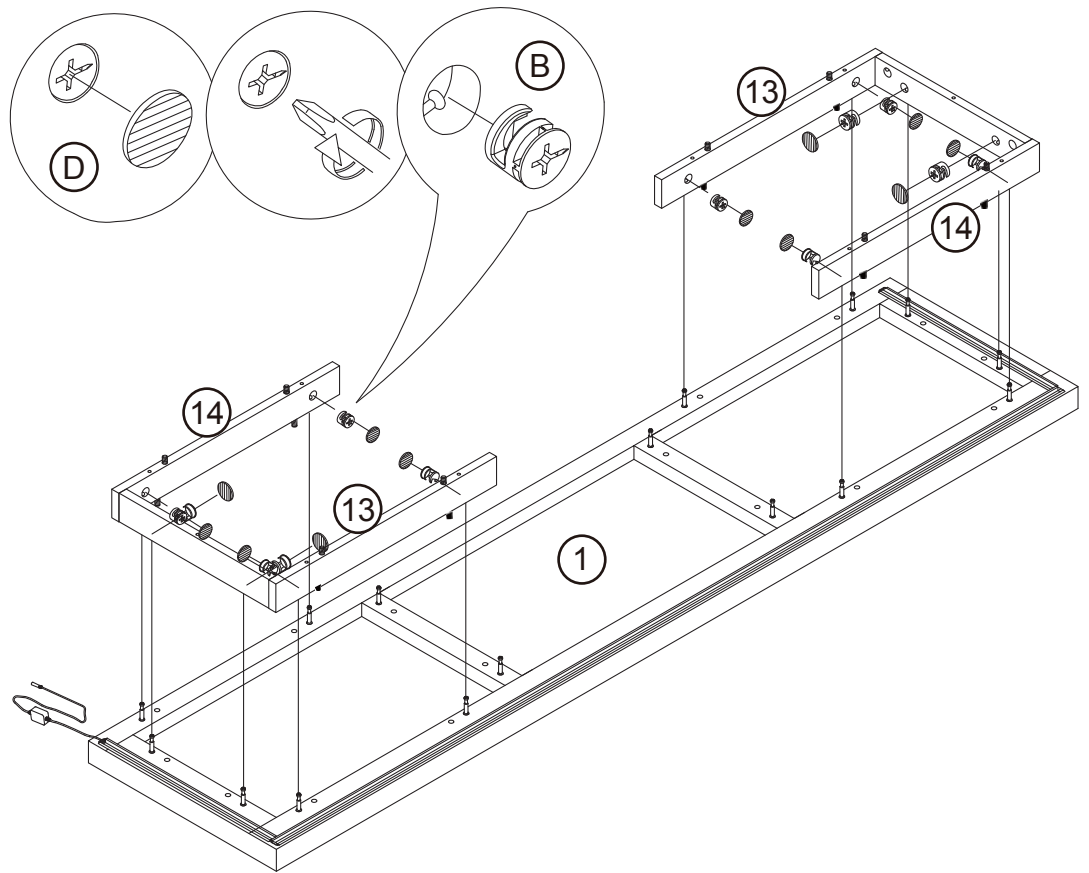
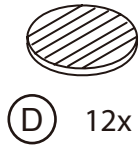
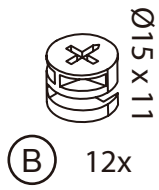
17

Assemble upper elevate panel support strips (13, 14, 15) together.



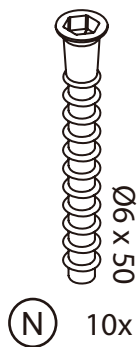
18

Assemble the upper elevate panel support assembly to the underside of the top panel (1).

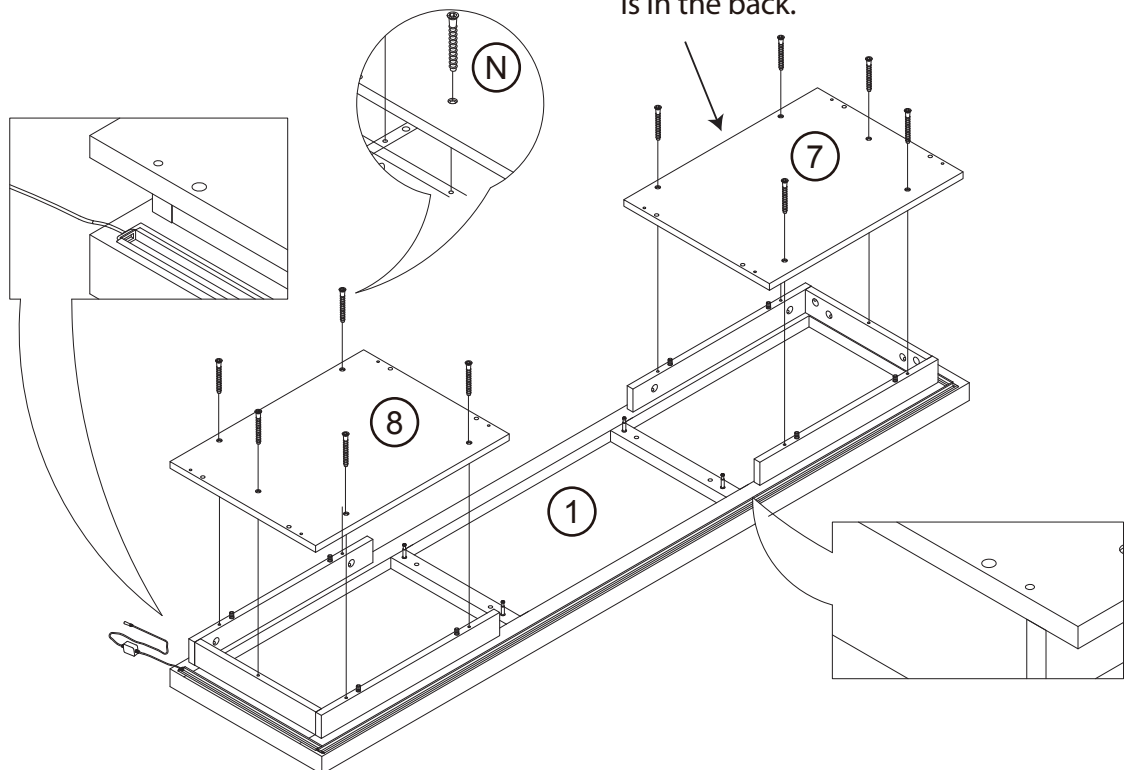


19

Assemble the upper panel (7, 8) to the top panel assembly.

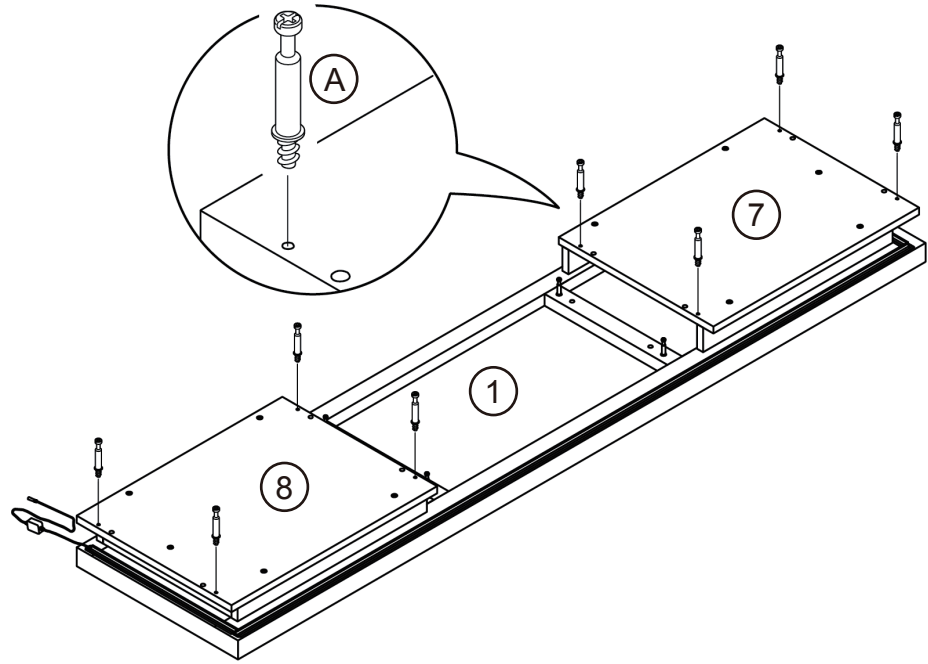
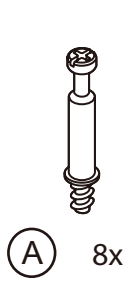


Note: Pre-drill holes is in the back.



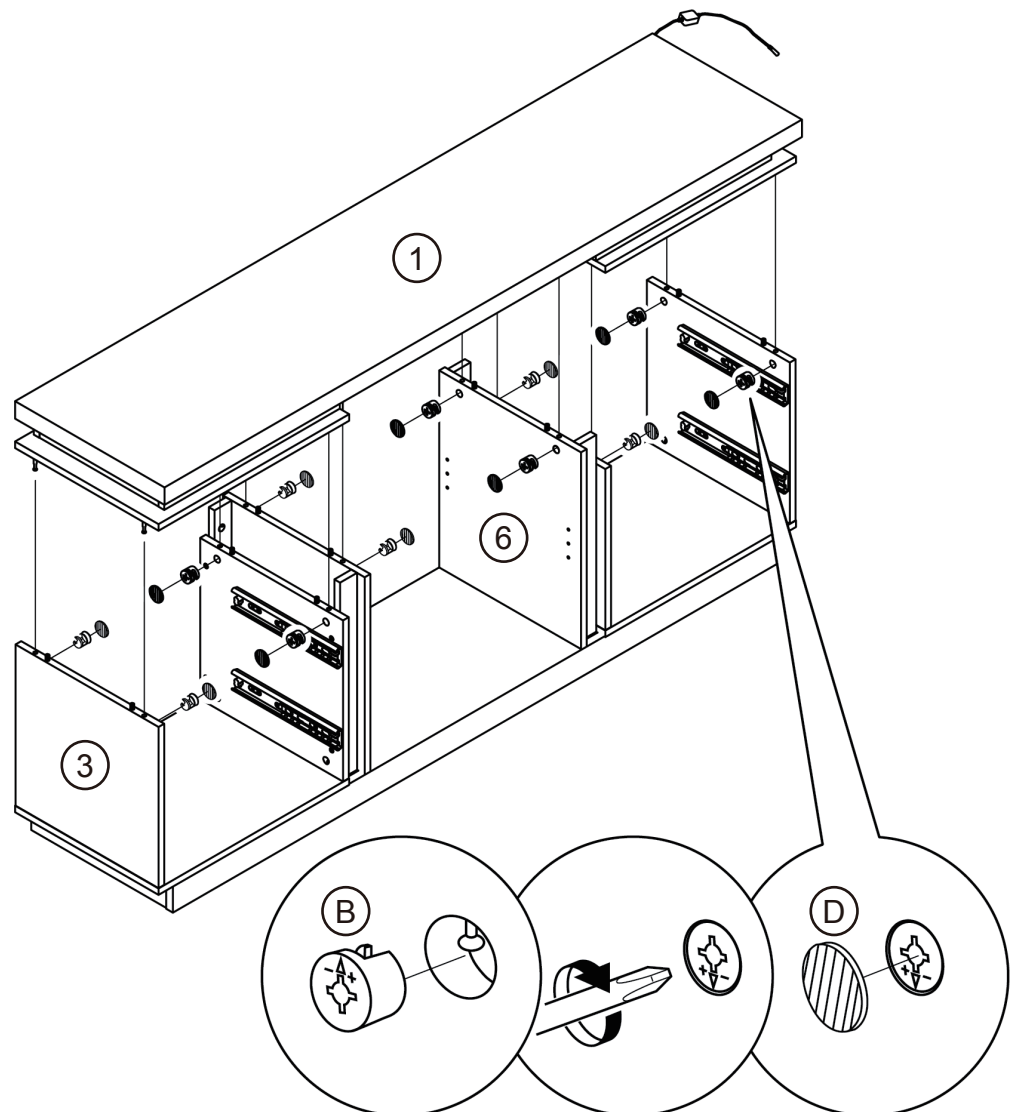
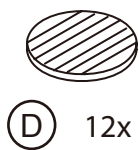
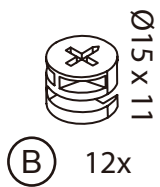
20

Attach cam bolts to the upper panel (7, 8).



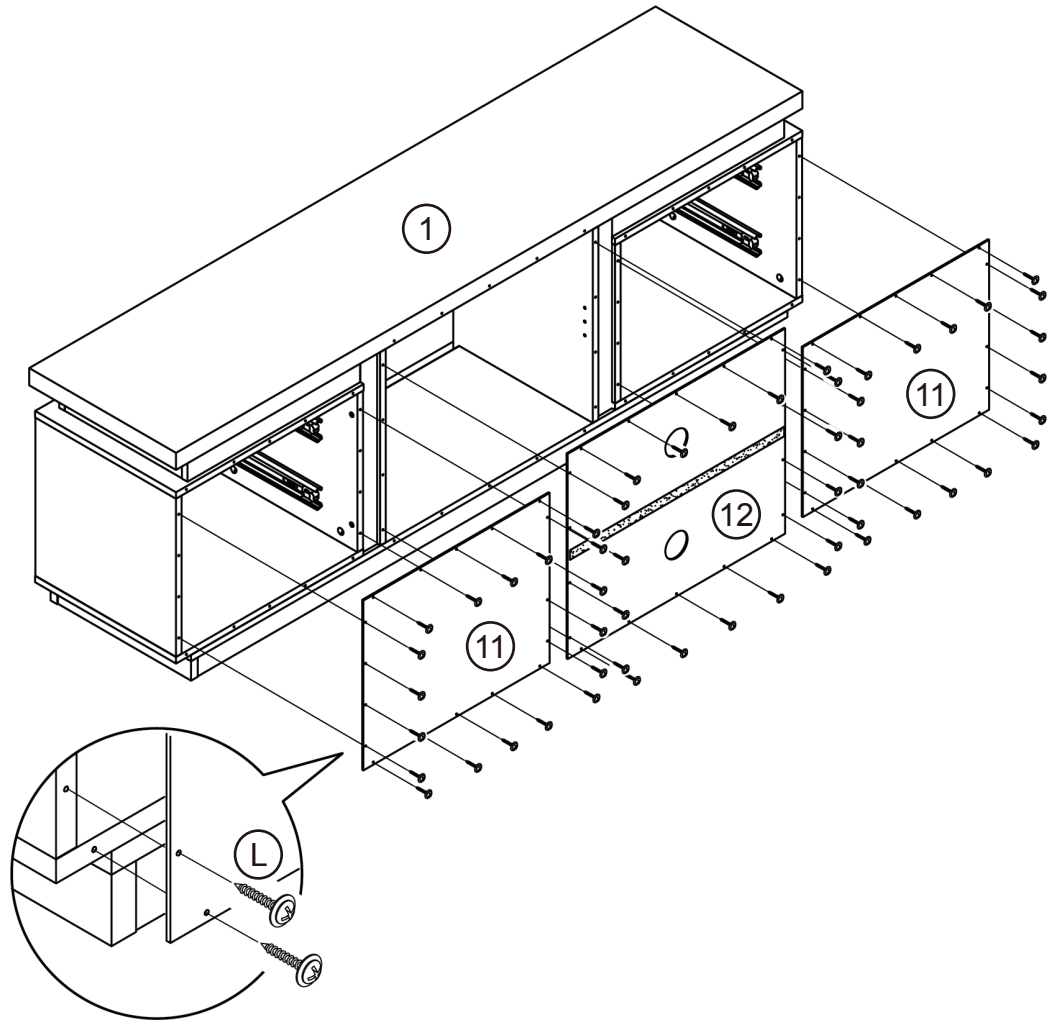
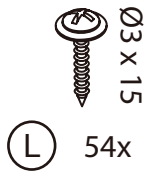
21

Assemble the top panel assembly on top of the stand.



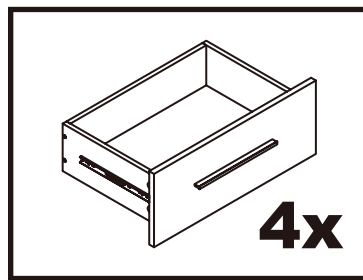
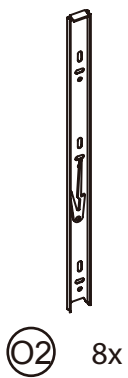
22

Attach back panels (11, 12) to the back of the stand.

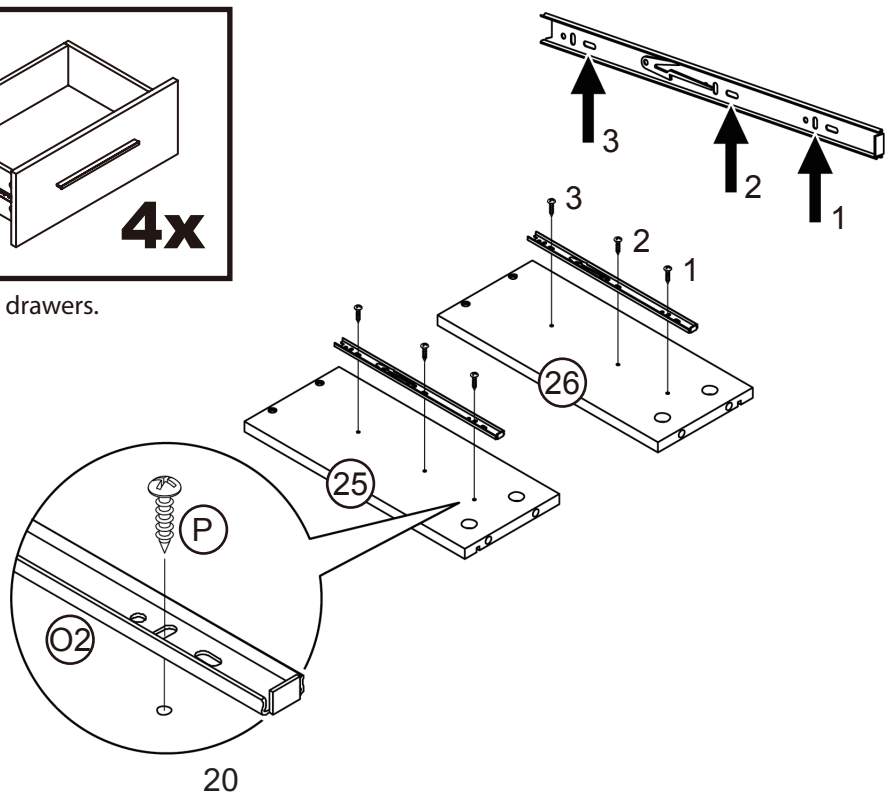


23

Attach drawer sliders to the drawer left and right panels (25, 26).

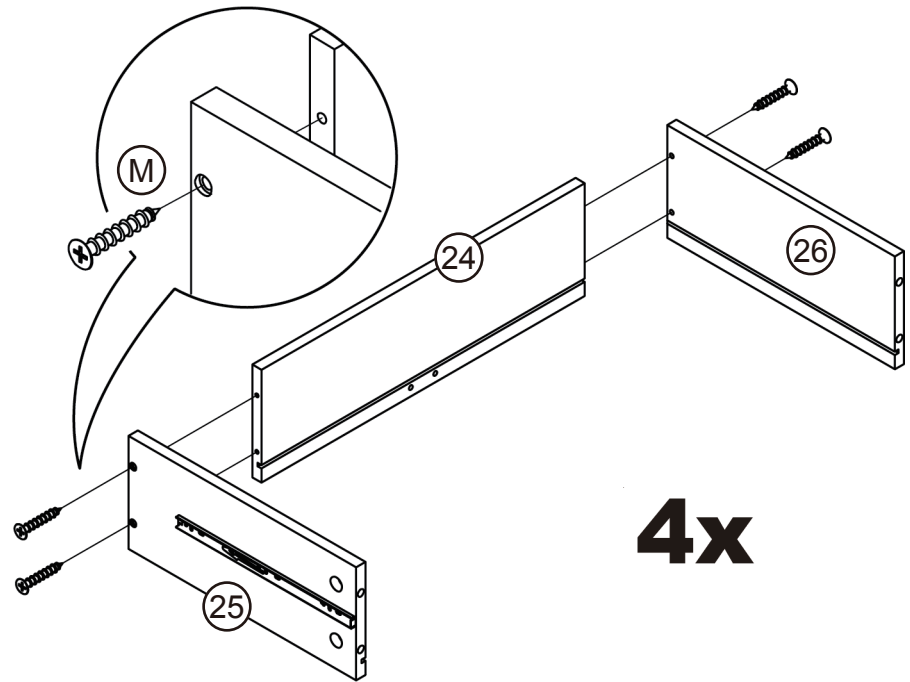


Assemble 4 drawers.



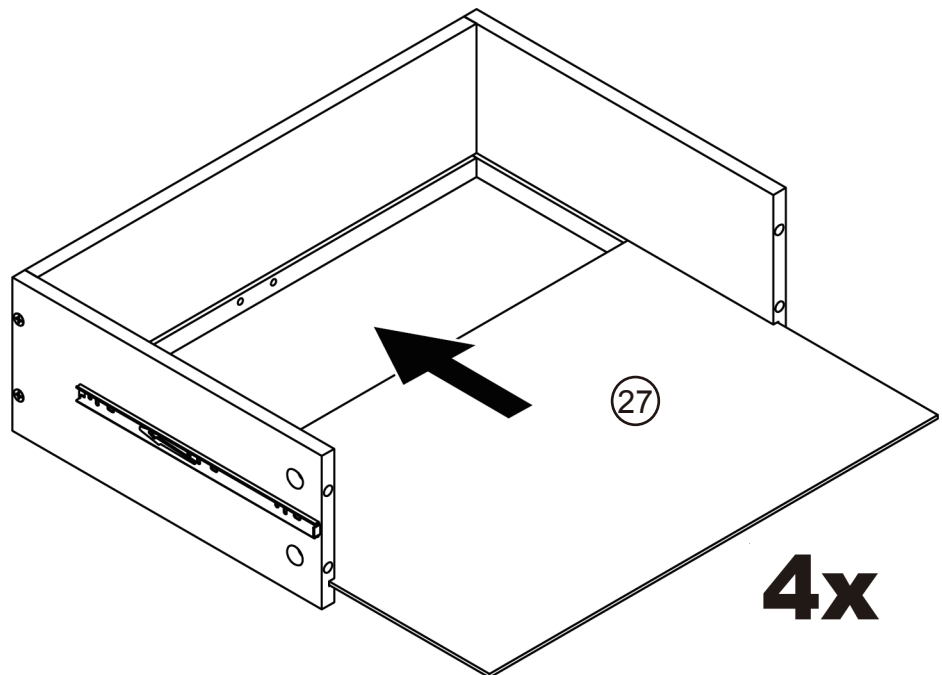
24

Assemble drawer back panel (24) between the drawer side panels (25, 26).



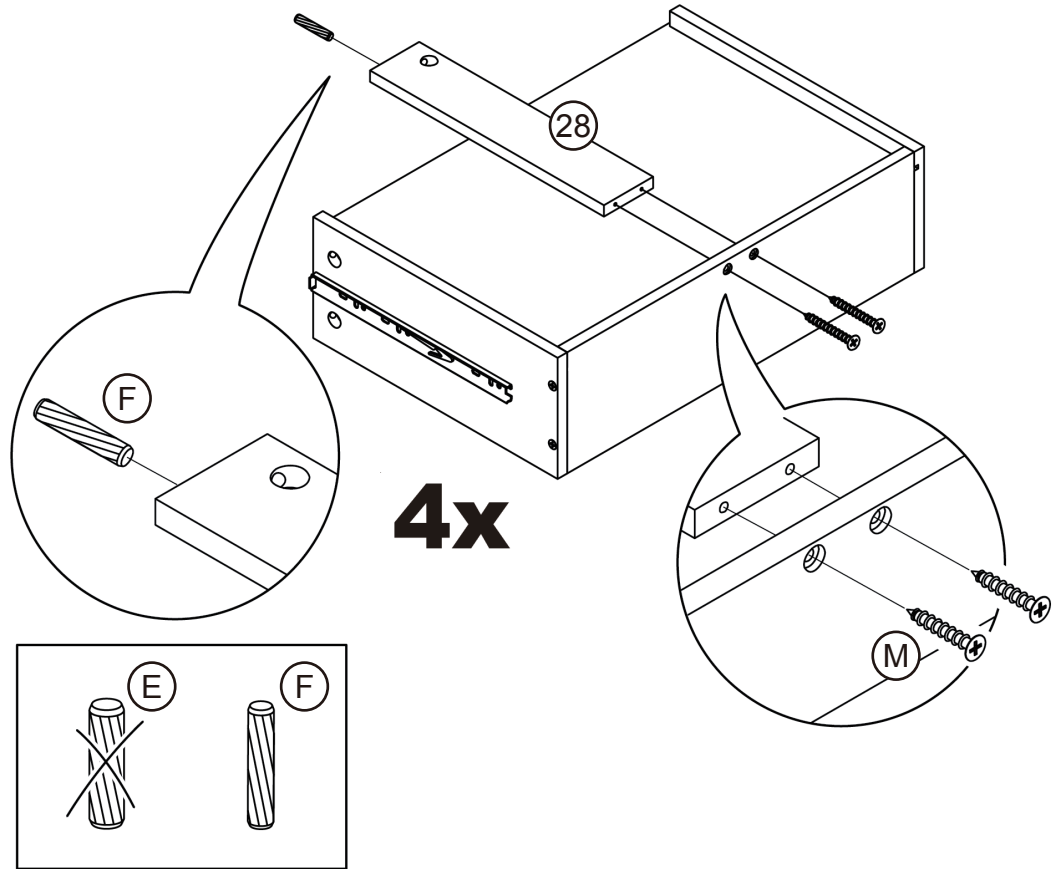
25

Slide the drawer bottom panel (27) into the drawer assembly.



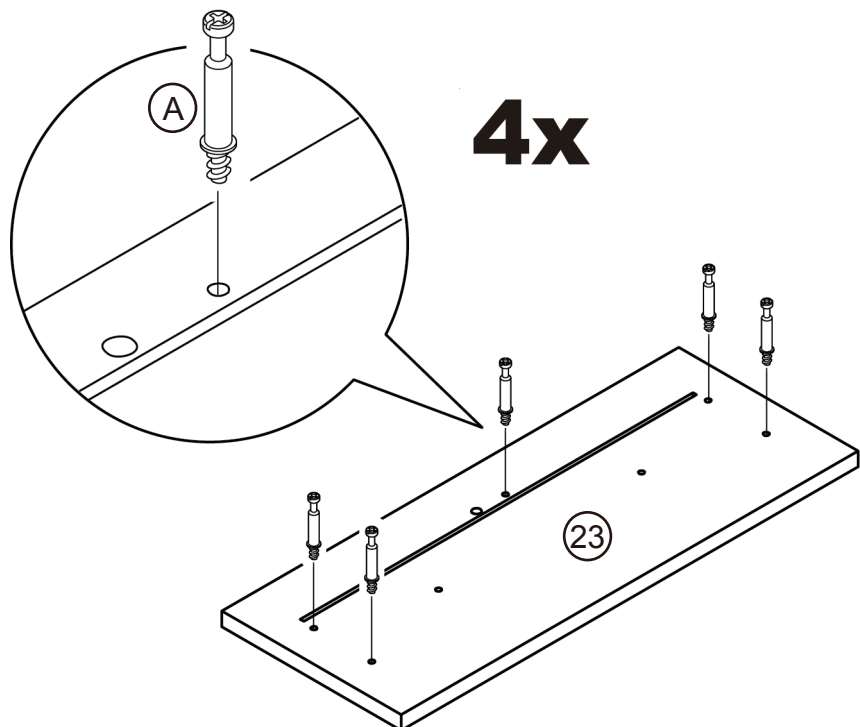
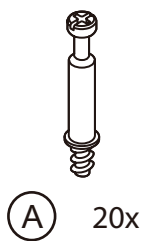
26

Attach drawer support panel (26) to the drawer back panel.



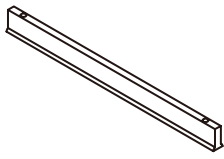
27

Attach cam bolts to the drawer front panel (23).



28

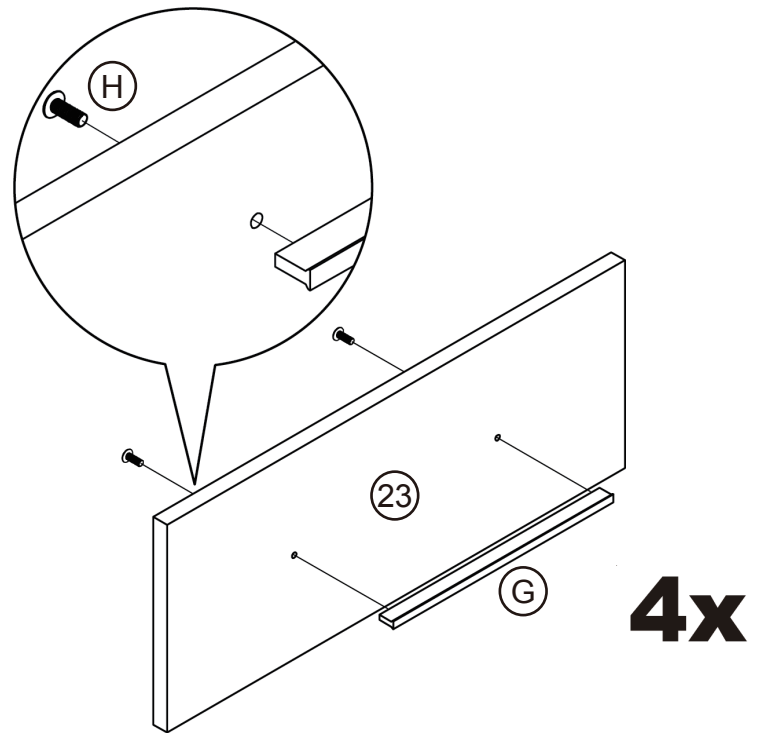
Attach drawer handle to the drawer front panel (23).



G 4x



H 8x

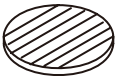


29

Assemble the drawer front panel (23) to the drawer tray.

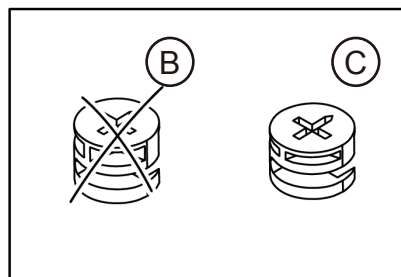
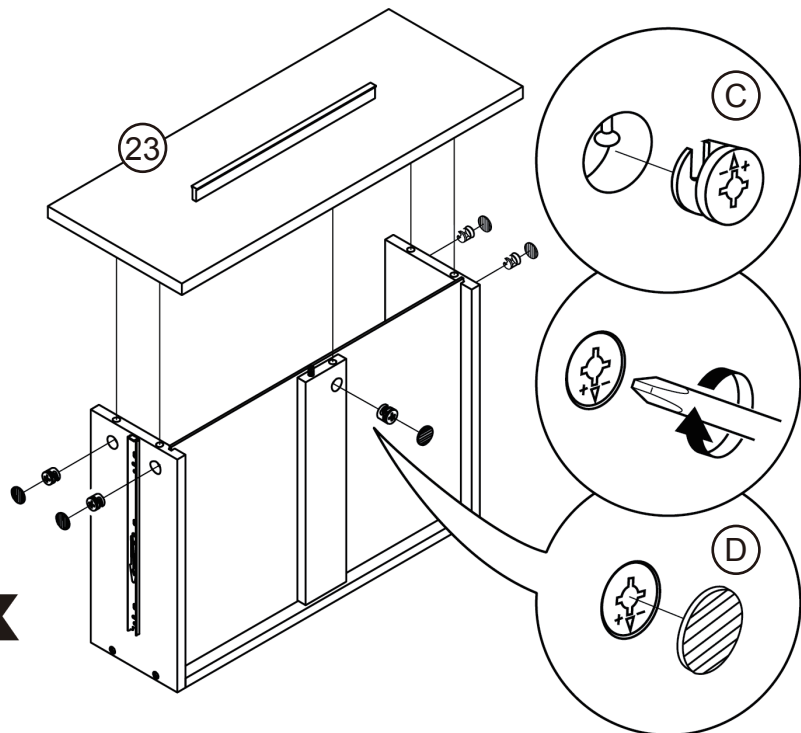


C 20x



D 20x

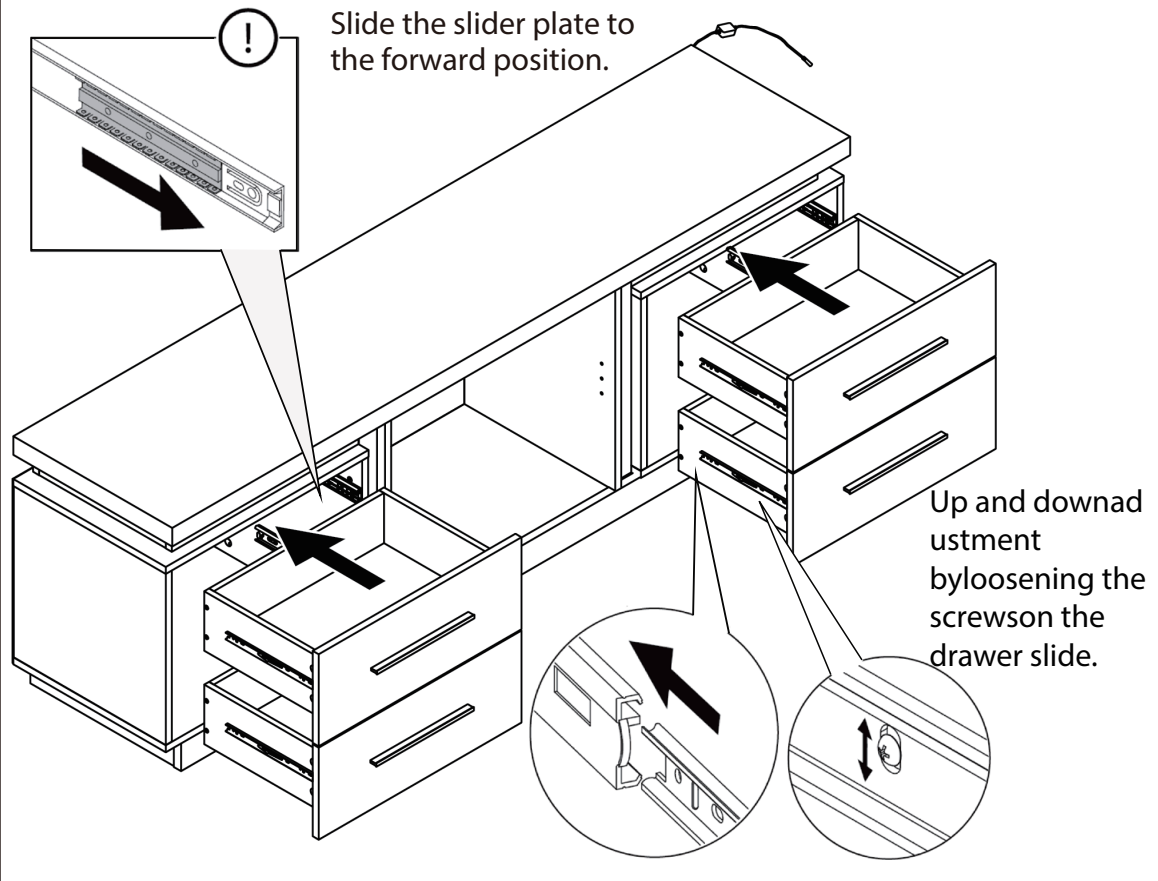
4x



Note: Please use the correct cam lock.

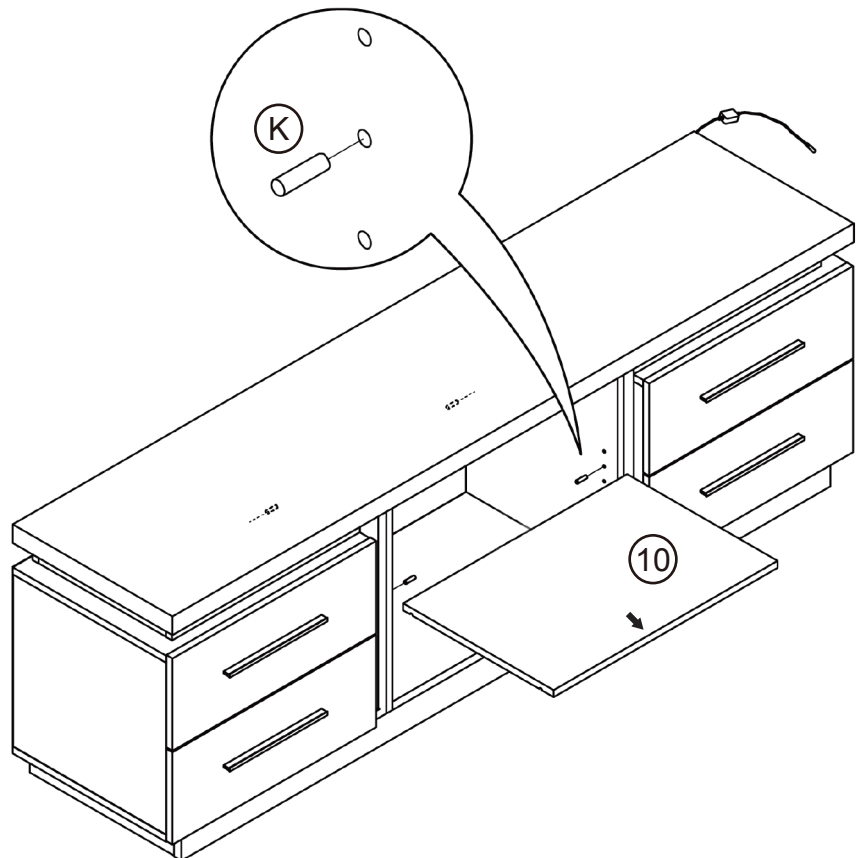
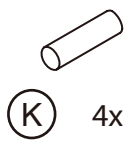
30

Slide drawers into the TV stand.



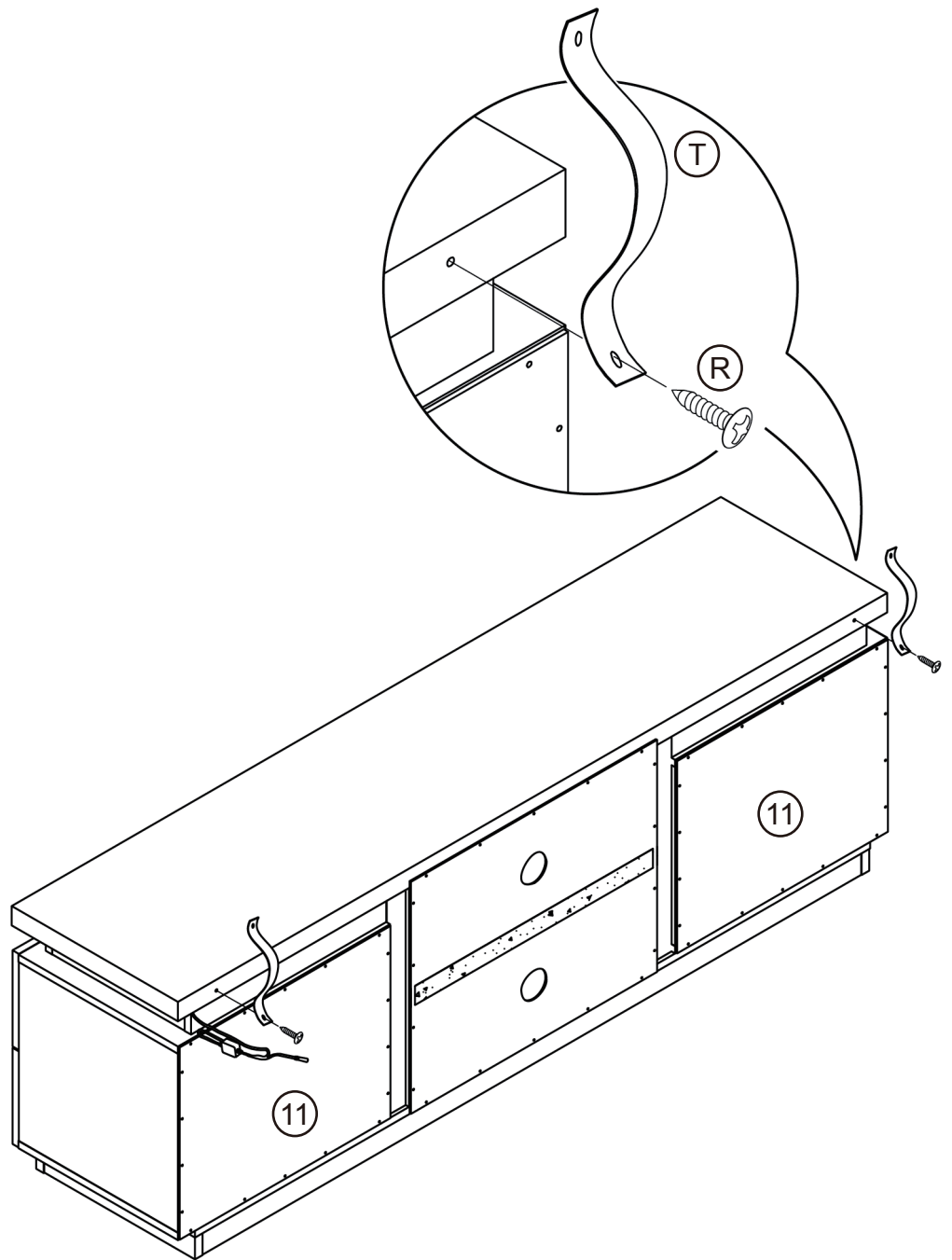
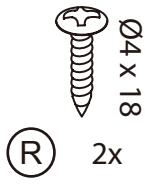
31

Insert shelf pegs into the TV stand and put on storage shelf panel (10).



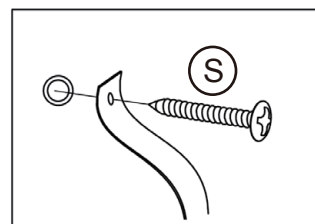
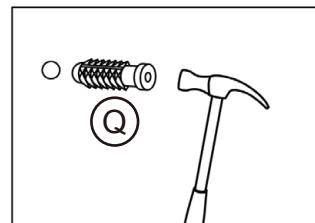
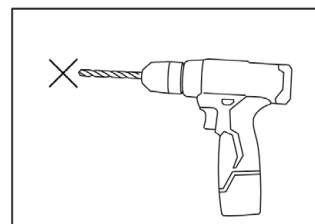
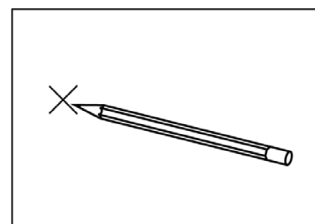
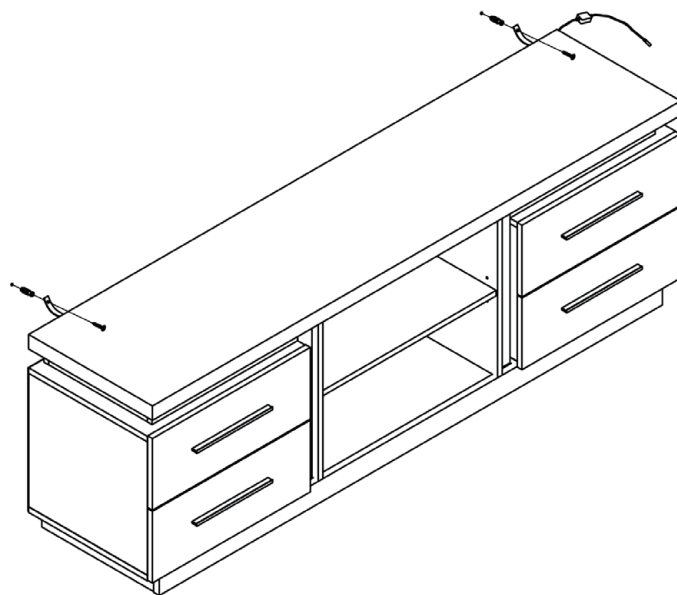
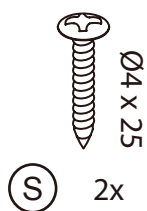
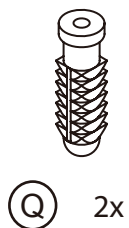
32

Attach anti-tipping straps to the back of the TV stand.



33

Affix the TV stand to a wall.

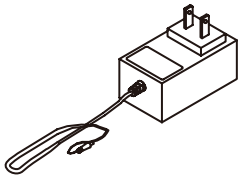


Furniture must permanently fixed to the wall stud with included anti-tipping device to prevent the furniture from tipping over.

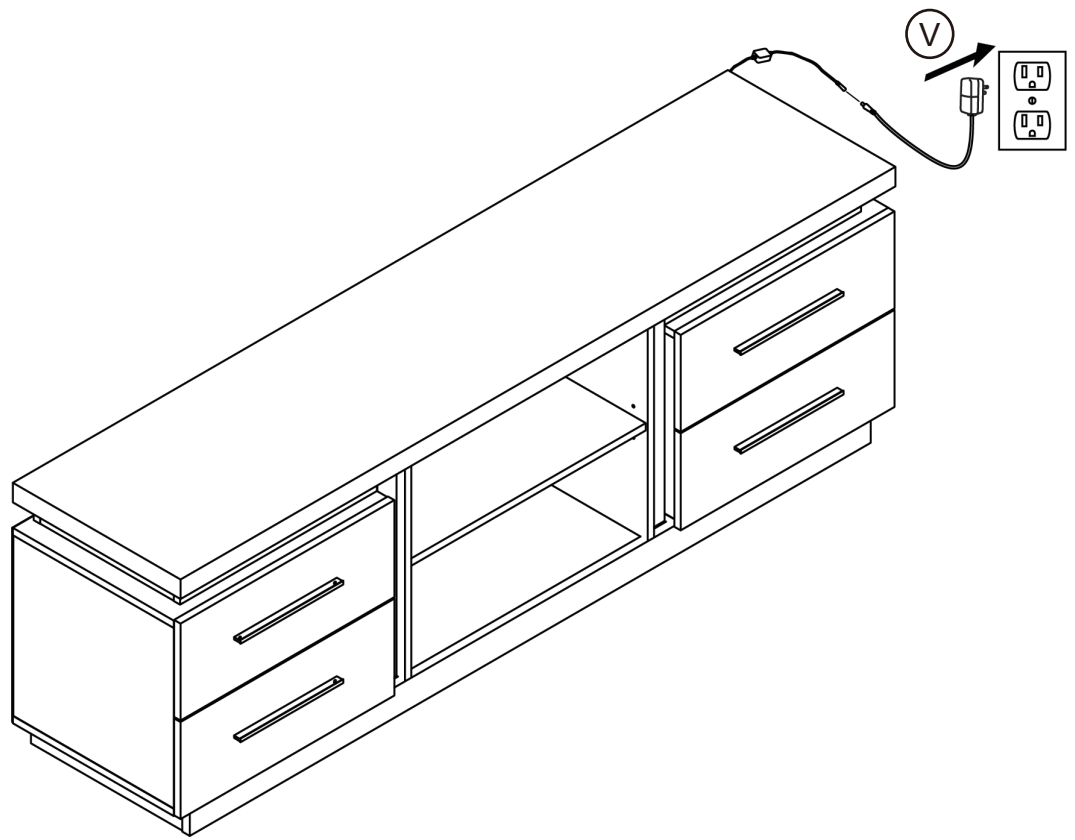
- Mark drill positions on the wall with a pencil.
- Drill a small hole on the marked position.
- Insert wall anchors into the drilled holes.
- Zip tie the rack to the anti-tipping devices.

34

Connect the power adapter to the LED light strip cable, then plug the power adapter to a wall power outlet.

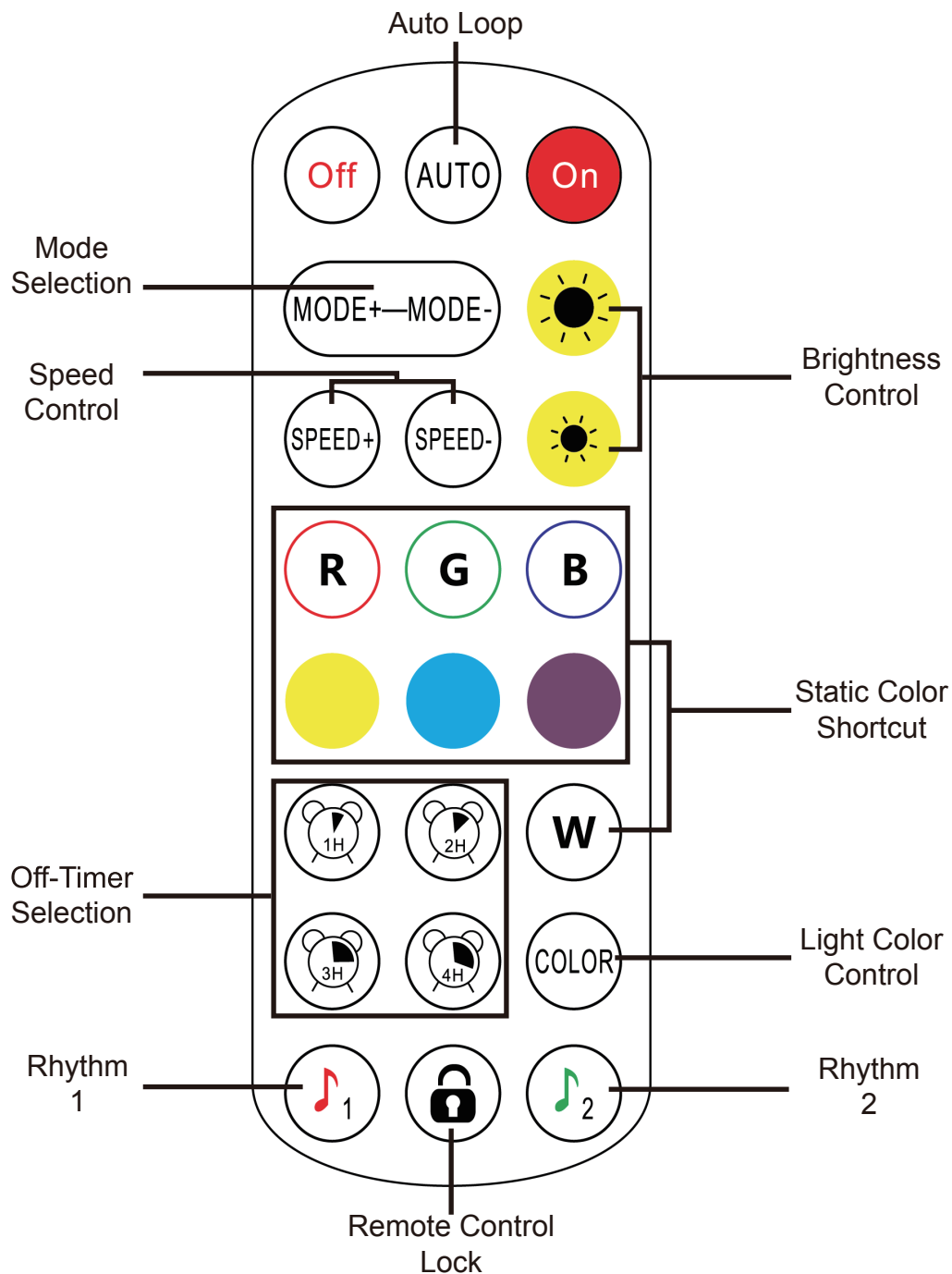


Ⓥ 1x



YOU'RE FINISHED!

USER INSTRUCTION (LED LIGHT REMOTE CONTROL)



MODE

Press the mode button select light effect.

- 3 colors flash
- 7 colors flash
- 3 colors spectrum cycling
- 7 colors spectrum cycling
- mixed colors cycling
- 7 colors strobe

COLOR CONTROL

Press the color button to select 1 of the 16 static light color options.

USER INSTRUCTION (LED LIGHT REMOTE CONTROL)

BRIGHTNESS / SPEED

Press the buttons to change the light brightness and effect speed.
There are 10 levels of brightness and speed setting.
White light will flash when the setting is at minimum or maximum.

NOTE: Speed control does not work when the light strip is showing static color.

AUTO

Press the auto button to automatically cycle and loop all light effects.

REMOTE CONTROL LOCK

Press the lock button to lock any remote control input.
When lock function is enabled, only the ON, OFF and lock button will be functional.
Press the lock button again to unlock the remote control.

OFF-TIMER

Select between 1, 2, 3, or 4 hours off timer.
The LED light will turn off after the set time when enabled.

RHYTHM 1

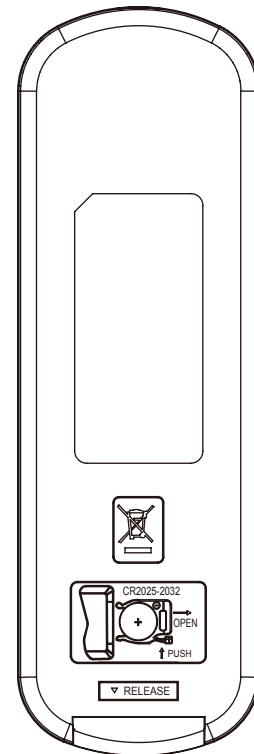
Press the button to activate slow light effect which sync to surrounding music.

RHYTHM 2

Press the button to activate fast light effect which sync to surrounding music.

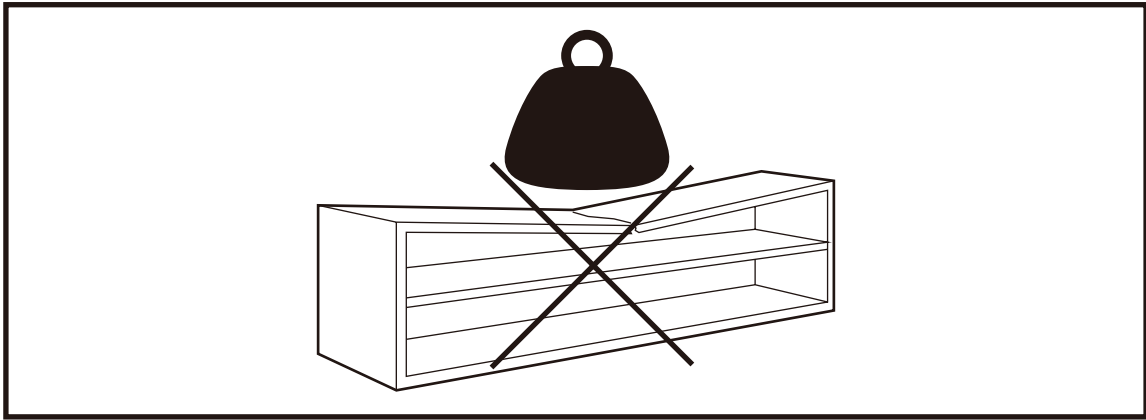
Technical Parameters:

Working temperature: -20°C - 60°C / -4°F - 140°F
Power Supply Voltage: DC5 - 24v
Output: 3 Loops
Connection Mode: Wireless 2.4G
Remote Control Distance: 8m - 15m
Battery: CR2025



⚠ CAUTION / WARNING

Dispose old / used battery at a suitable recycling point or according to local regulations.
DO NOT ingest battery. If accidentally swallowed, seek medical help immediately.

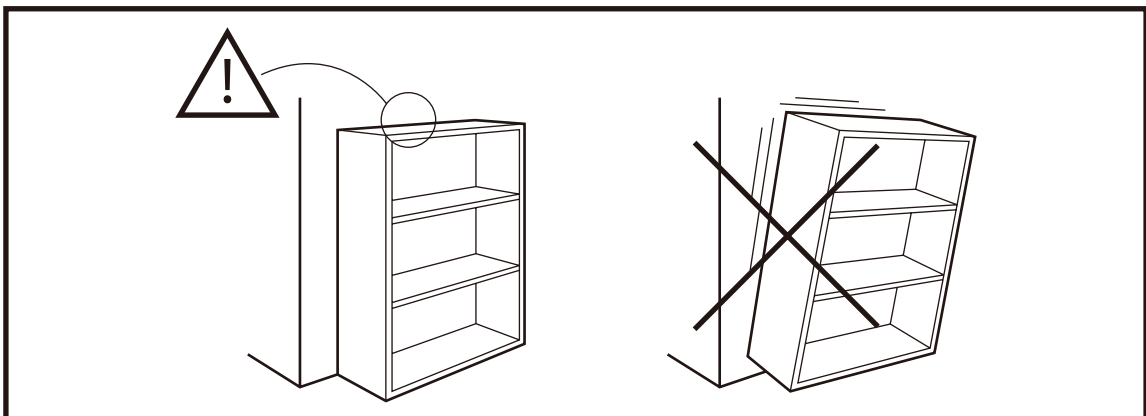


Warning

Only place items on top of the product if they meet the recommended size and weight limits.

Climbing on, stepping on, or placing overweighted objects on the product may cause property damage and/or injuries.

Items placed onto this product must be resting on a support surface without hanging over the edges.



Warning

Serious or fatal crushing injuries may occur if the furniture tip-over. Furniture must permanently affixed to the wall with included anti-tipping device in order to prevent the furniture from tipping over.

Different wall materials requires different types of wall anchors or screws. Use a suitable wall anchors or screws for your specific wall in order to secure the stability and load bearing capacity of the furniture. If you are uncertain about which type of device to use, please contact us or your local hardware store.

WARNING

For use with televisions weighing 80lbs (36.3kg) or less. Use with heavier televisions may result in instability, causing tip over resulting in death or serious injury.

Death or serious injury may occur when children climb on audio and/or video equipment furniture. A remote control or toys placed on the furnishing may encourage a child to climb on the furnishing and as a result the furnishing may tip over on to the child.

Relocating audio and/or video equipment to furniture not specifically designed to support audio and/or video equipment may result in death or serious injury due to the furnishing collapsing or over turning onto a child.

NOTICE

The recommended maximum width of the TV is 75 inches. Do not exceed the maximum load capacity.

This product is designed for flat panel TVs only.

FURNITURE CARE AND MAINTENANCE

Medium - Density Fiberboard

Thank you for your purchase. We want your item to last as long as possible. To ensure the product gives you years of longevity, please follow the recommendations in this care and maintenance guide.



MAINTENANCE

- Tighten all bolts and screws again within the first 2 weeks of assembly.
- Check the tightness of all bolts every 2 months and tighten them if necessary.



CLEANING

- Clean the surface of the MDF (medium - density fiberboard) with a lightly dampened cloth.
- A small amount of mild soap can be used if necessary.
- Dry the surface immediately after cleaning.

⚠ DO NOT use bleach or alcohol to clean the surface.

⚠ DO NOT apply wood treatment on parts made with MDF.

MDF will swell and distort when exposed to water damage. Make sure to dry the furniture immediately after cleaning.

⚠ WARNING

The manufacturer and seller are not responsible for any and all liability relating to personal injury, property damage or losses, whether direct, indirect, or incidental, resulting from the incorrect attachment, improper use, inadequate maintenance, unapproved modification or neglect of this product.

WARRANTY

Our products come with a 1-year warranty from the date of delivery. **Register your product on our website to enjoy our limited lifetime warranty!**

AFTER-SALE SERVICE



Encounter any difficulties or missing parts?



Contact us



We will send you replacement.



Hassle free!
No need to worry about repackaging and sending your item back.