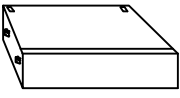
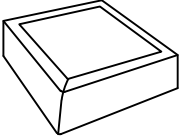
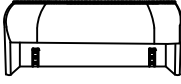
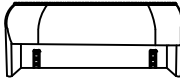
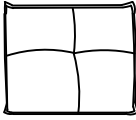
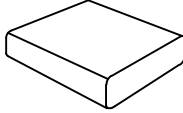
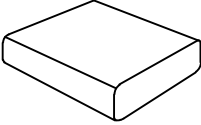
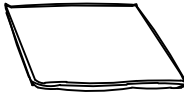
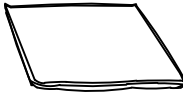

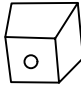



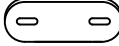





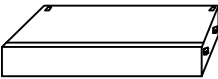
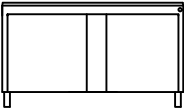
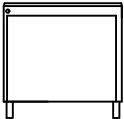
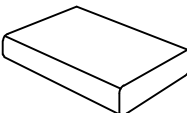

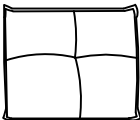


Accessories list

Carton 1/2

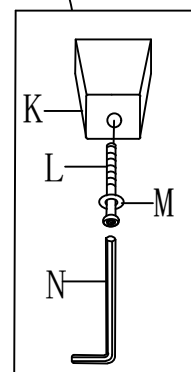
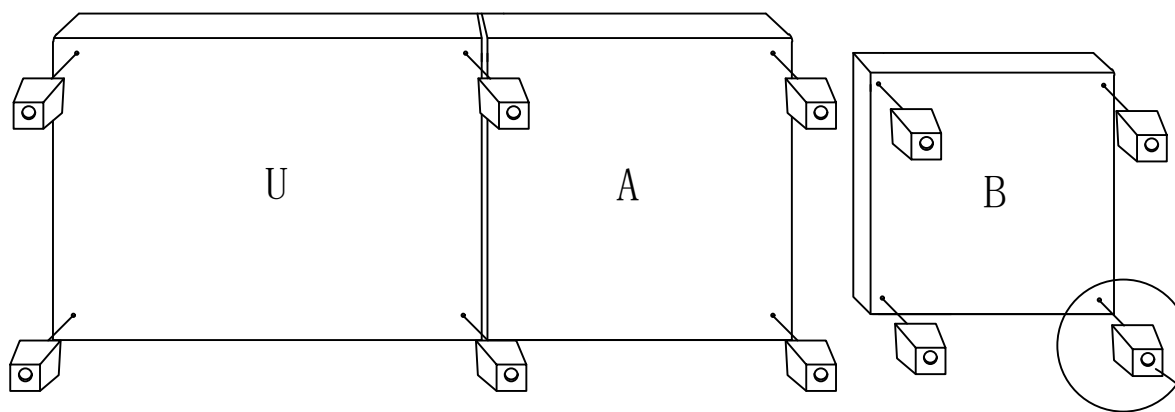
<p>A</p>  <p>Single seat frame(1)</p>	<p>B</p>  <p>Ottoman seat frame(1)</p>	<p>C</p>  <p>Right armrest(1)</p>	<p>D</p>  <p>Left armrest(1)</p>	<p>E</p>  <p>Back cushion(1)</p>	<p>F</p>  <p>Single cushion(1)</p>
<p>G</p>  <p>Ottoman cushion(1)</p>	<p>H</p>  <p>Upper ottoman seat cushion(1)</p>	<p>I</p>  <p>Upper single seat cushion(1)</p>	<p>J</p>  <p>Latch(4)</p>	<p>K</p>  <p>Leg(10)</p>	<p>L</p>  <p>8*65 Screw(10)</p>
<p>M</p>  <p>17mm Gasket (10)</p>	<p>N</p>  <p>M5*100*40mm Wrench(1)</p>	<p>O</p>  <p>40*100*2mm Metal plate(1)</p>	<p>P</p>  <p>6*25 Screw(2)</p>	<p>Q</p>  <p>16mm Gasket (2)</p>	<p>R</p>  <p>M4*65*23 Wrench(1)</p>
<p>S</p>  <p>Left armrest soft bag(1)</p>	<p>T</p>  <p>Right armrest soft bag(1)</p>				

Carton 2/2

<p>U</p>  <p>Double seat frame(1)</p>	<p>V</p>  <p>Double backrest(1)</p>	<p>W</p>  <p>Single backrest(1)</p>	<p>X</p>  <p>Double seat cushion(1)</p>	<p>Y</p>  <p>Upper double seat cushion(1)</p>	<p>E</p>  <p>Back cushion(2)</p>
---	--	--	---	--	---

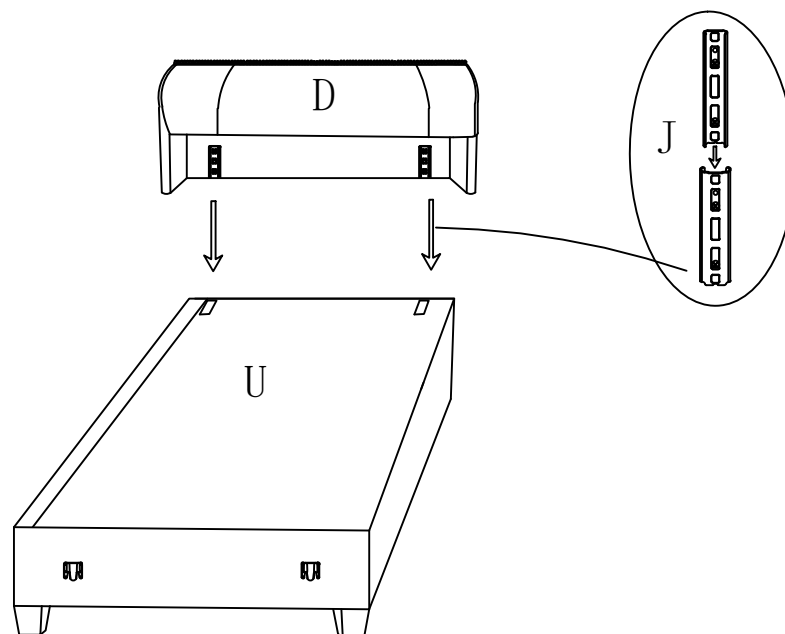
STEP 1:

Intall the 2 legs under doube seat frame ,4 legs under single seat frame, 4 legs under the ottoman frame



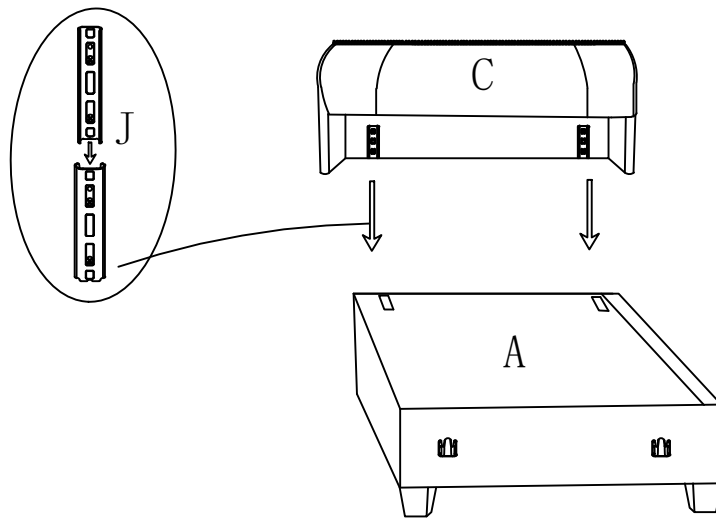
STEP 2:

Insert the right armrest into the double seat frame



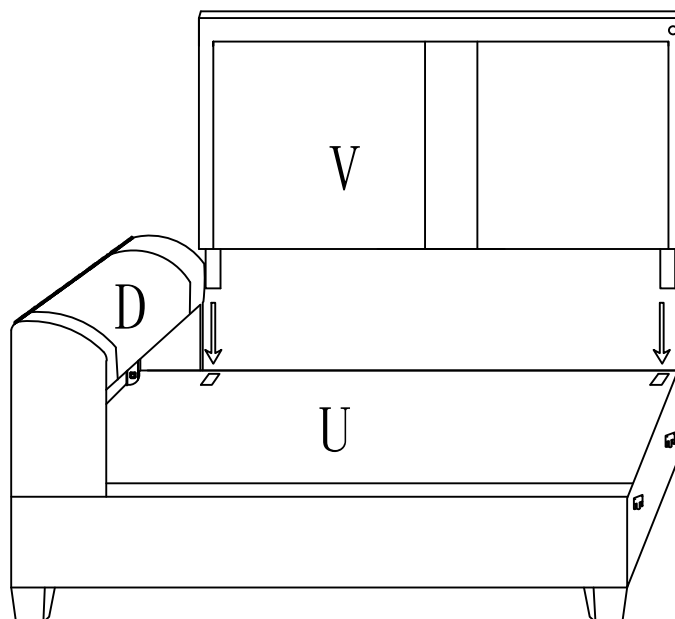
STEP 3:

Insert the left armrest into the single seat frame



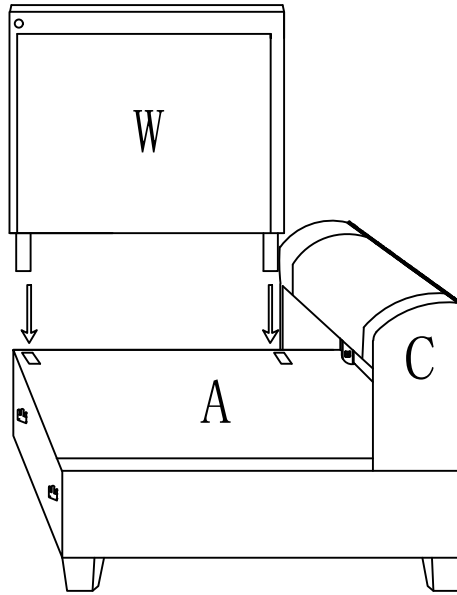
STEP 4:

Insert the double backrest frame into the double seat frame



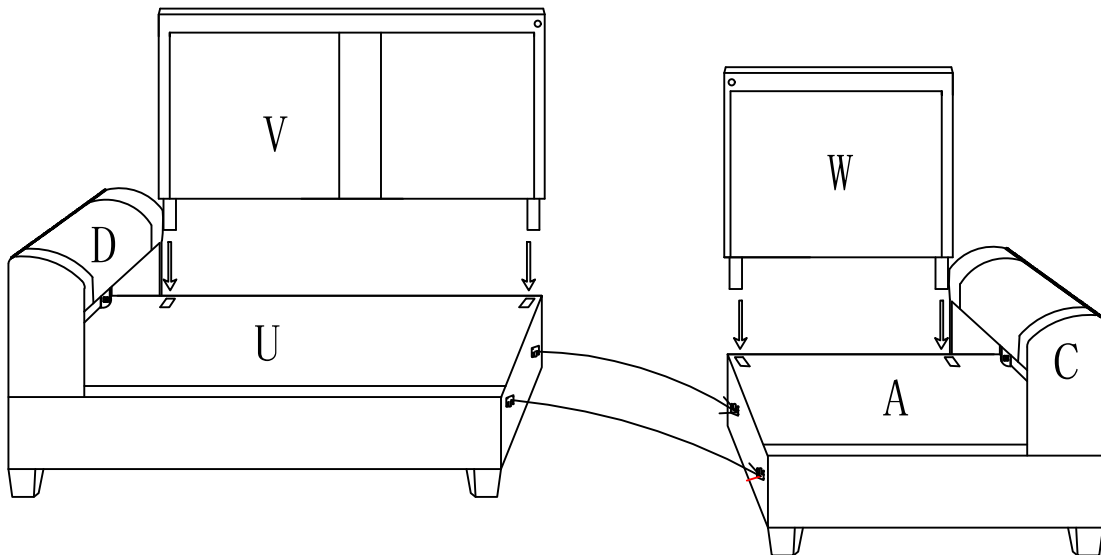
STEP 5:

Insert the single backrest frame into the double seat frame



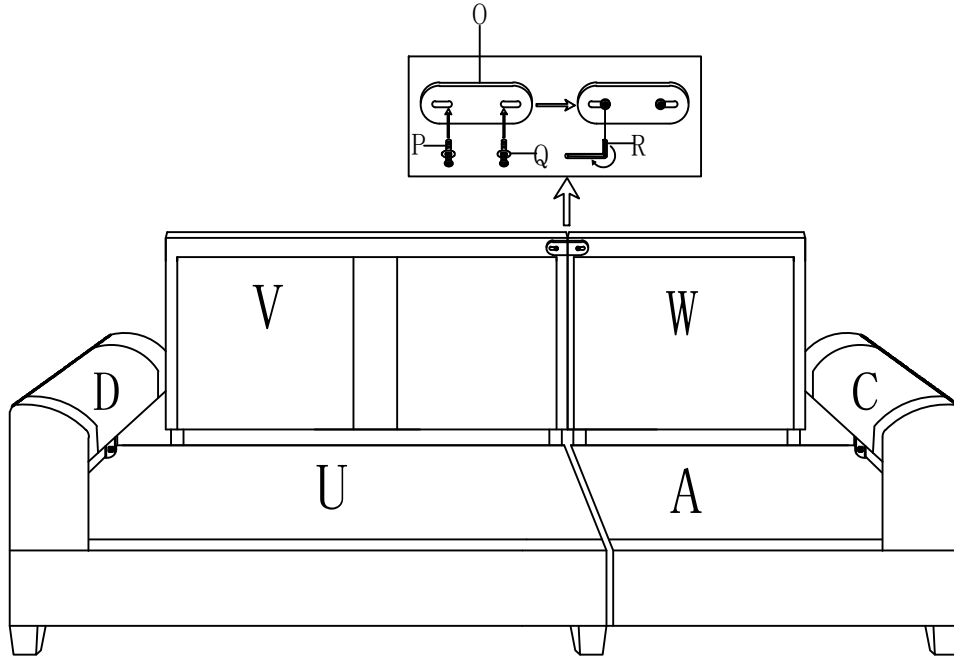
STEP 6:

Insert the double seat frame into the single seat frame



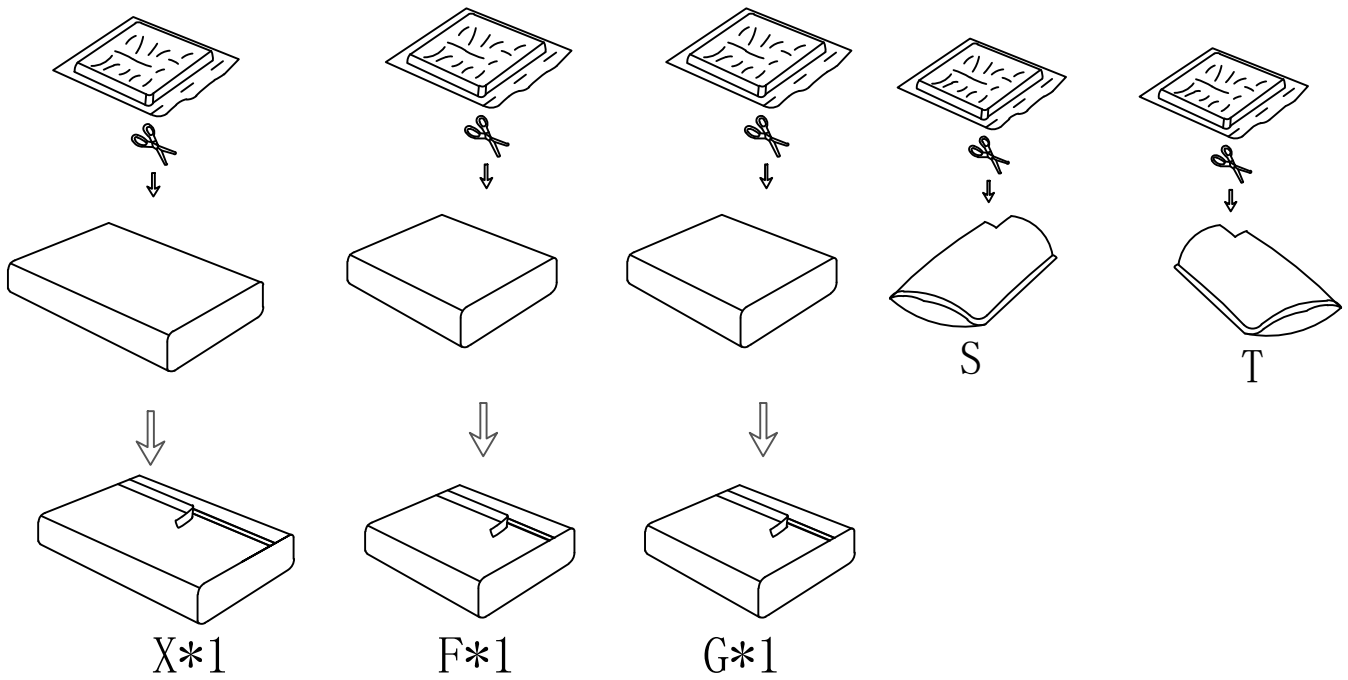
STEP 7:

Use the connector to lock tightly the backrests frame



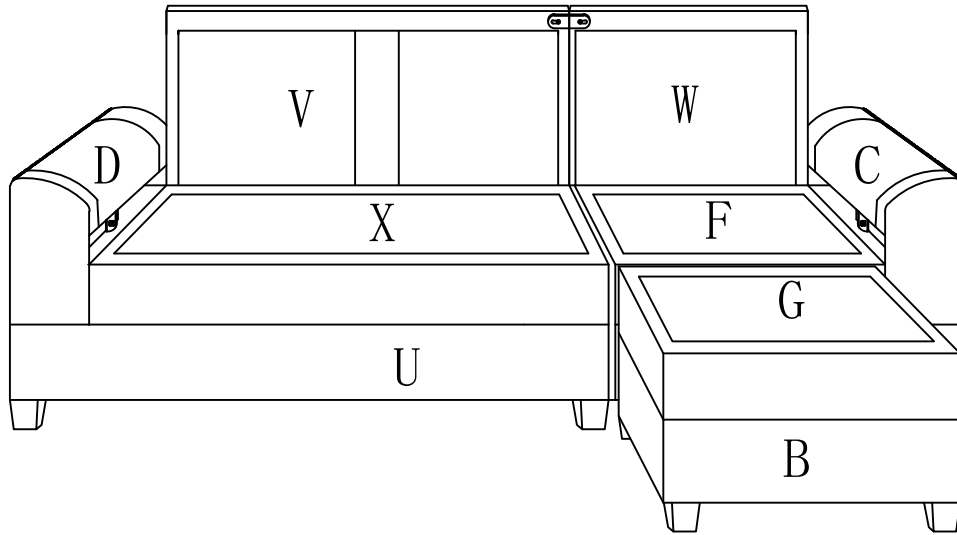
STEP 8:

Open the compression bags of the lower seat cushions



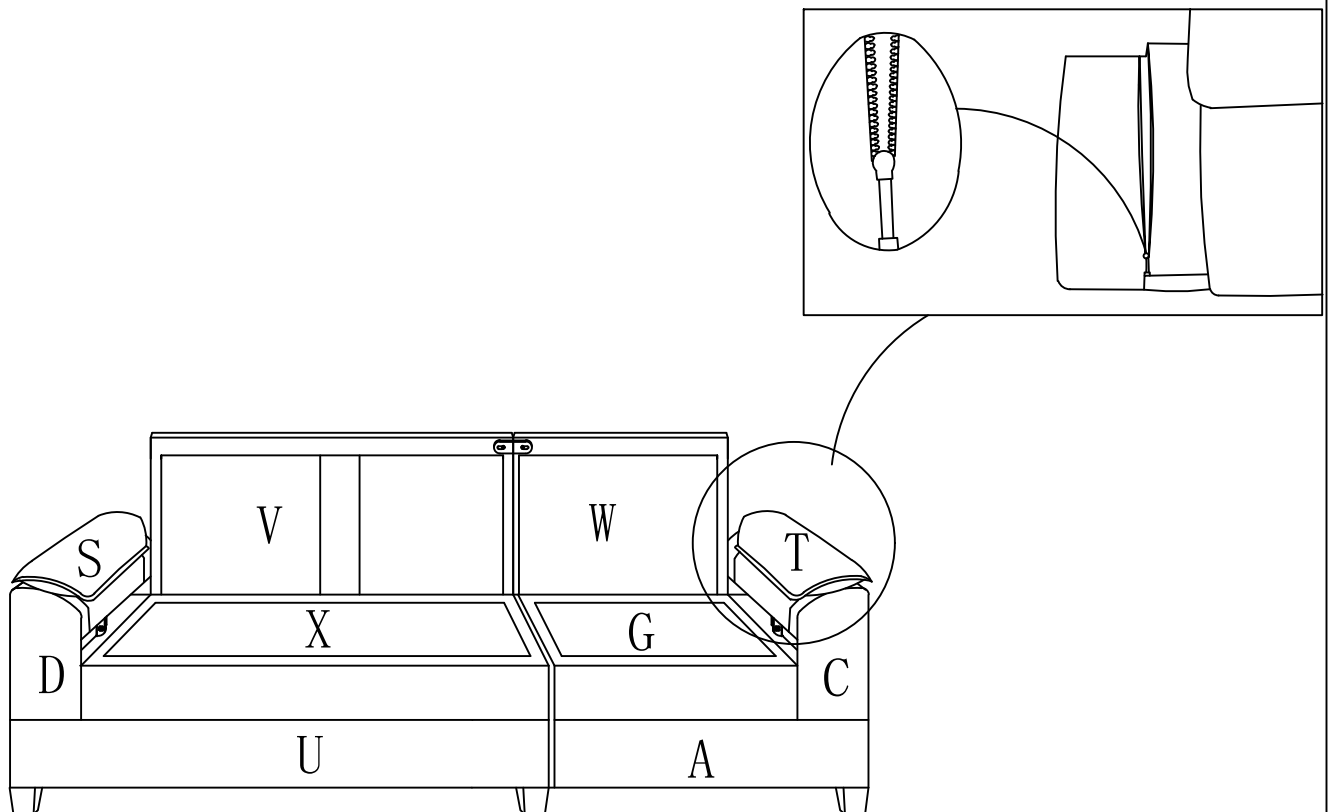
STEP 9:

Put the lower seat cushions on the sofa seat



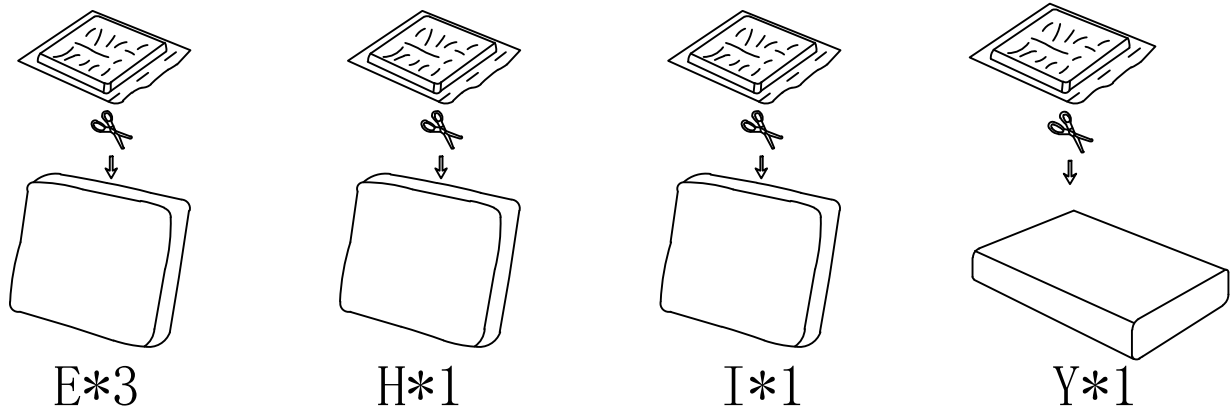
STEP 10:

Install the armrest bags



STEP 11:

Open all the compression bags of cushions



STEP 12:

Complete the installation

