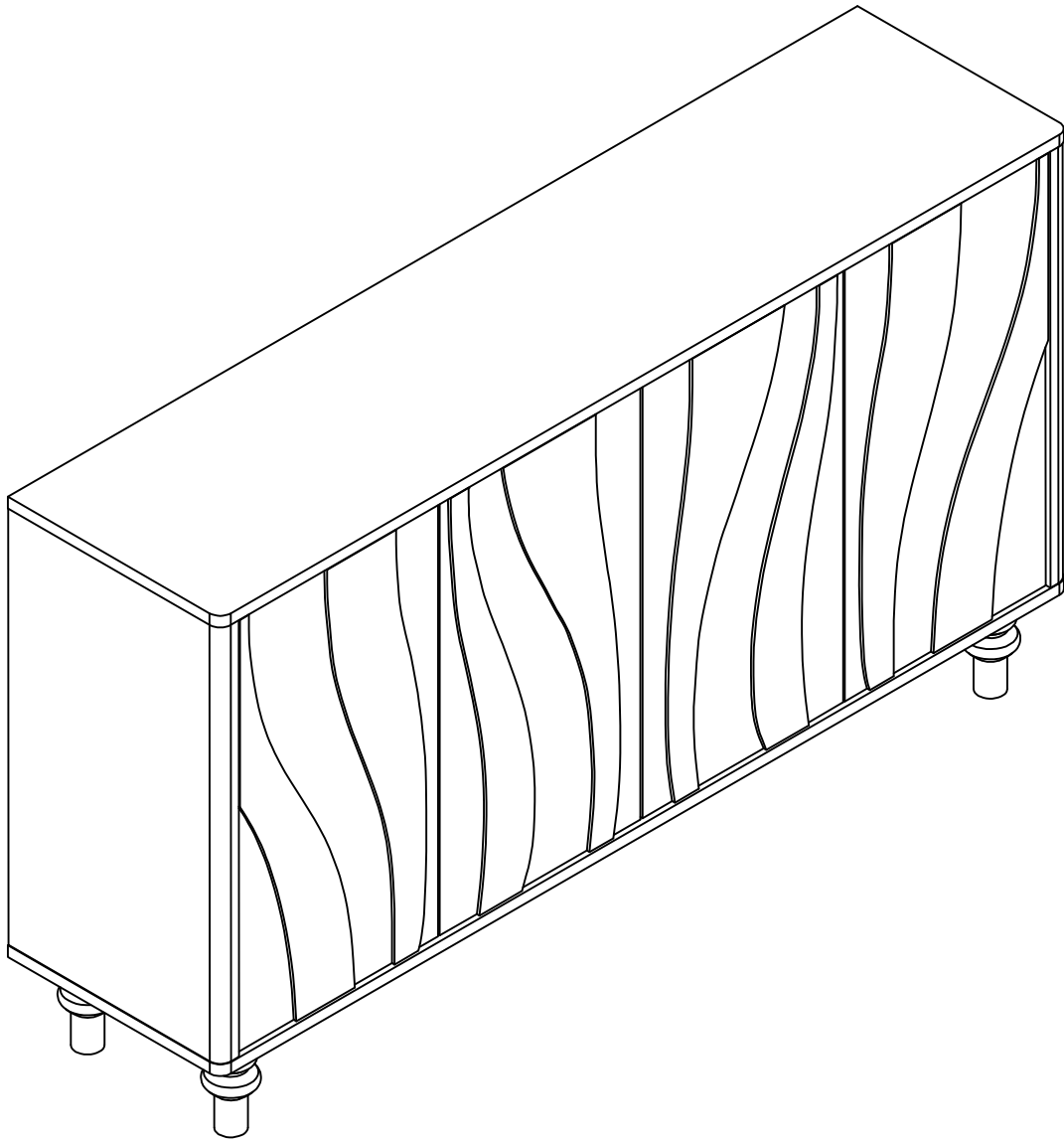
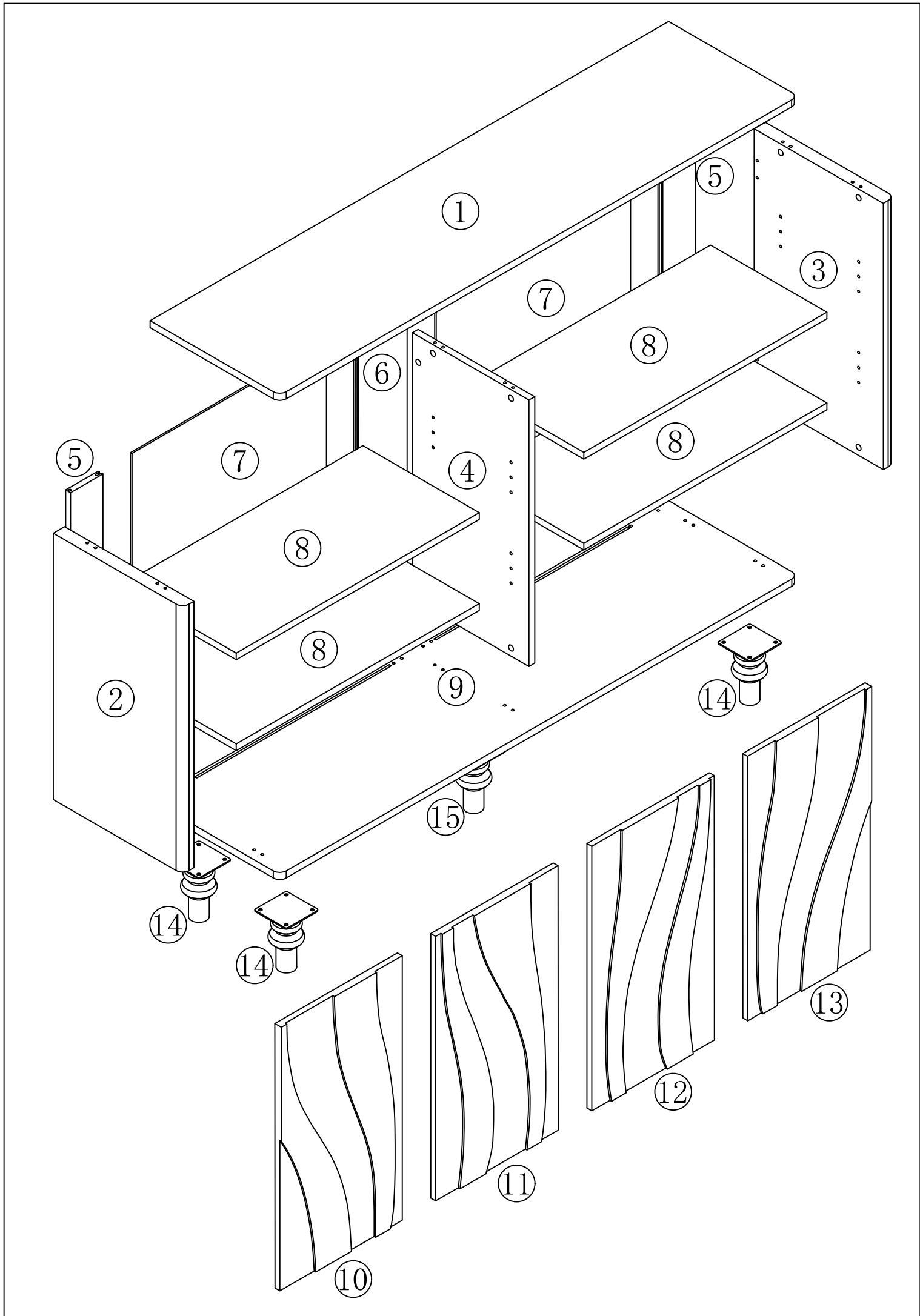


Assembly Guide

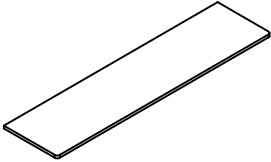
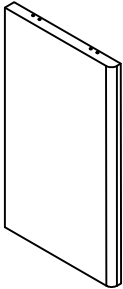
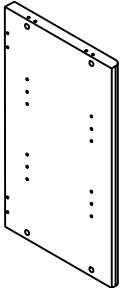
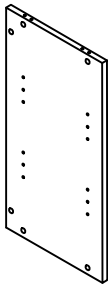


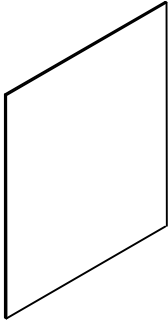
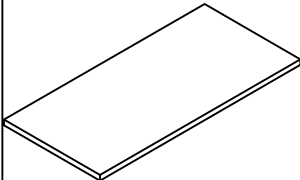
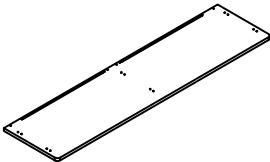

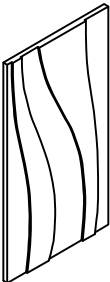
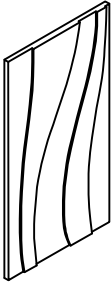


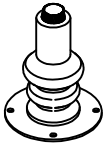
SC017



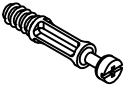

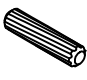


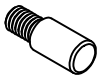
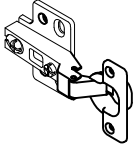
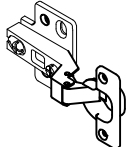
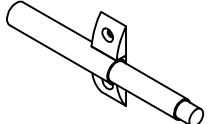
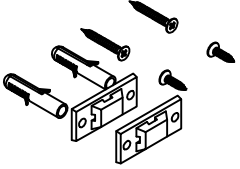
Tips: Do not throw away packing materials until assembly is complete for small parts may come loose inside the carton during shipment. If parts are missing, please contact us. Assemble this item on a soft surface, such as carpet to protect the finish.

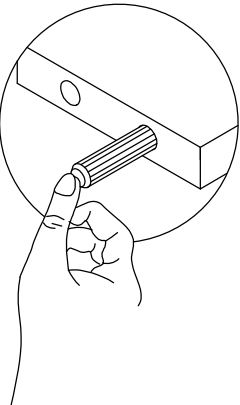
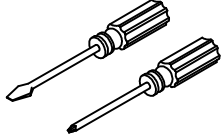
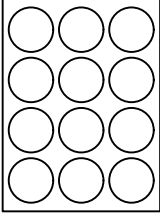



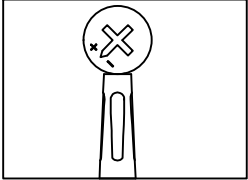
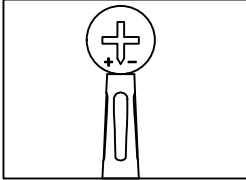

PARTS LIST

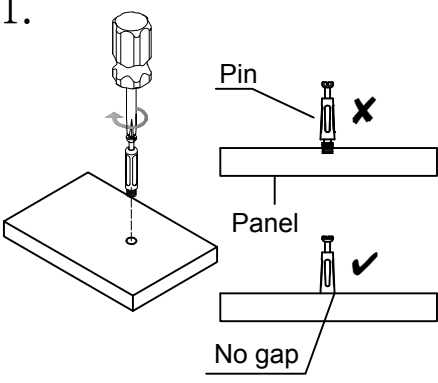
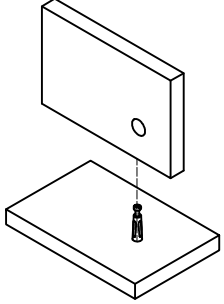
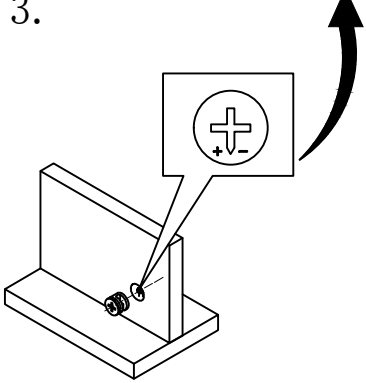
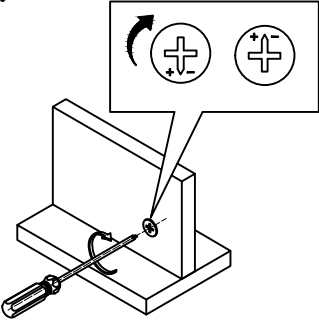
<p>①</p> 	<p>②</p> 	<p>③</p> 	<p>④</p> 	<p>⑤</p> 
<p>1</p>	<p>1</p>	<p>1</p>	<p>1</p>	<p>2</p>
<p>⑥</p> 	<p>⑦</p> 	<p>⑧</p> 	<p>⑨</p> 	<p>⑩</p> 
<p>1</p>	<p>2</p>	<p>4</p>	<p>1</p>	<p>1</p>
<p>⑪</p> 	<p>⑫</p> 	<p>⑬</p> 	<p>⑭</p> 	<p>⑮</p> 
<p>1</p>	<p>1</p>	<p>1</p>	<p>4</p>	<p>1</p>

HARDWARE LIST

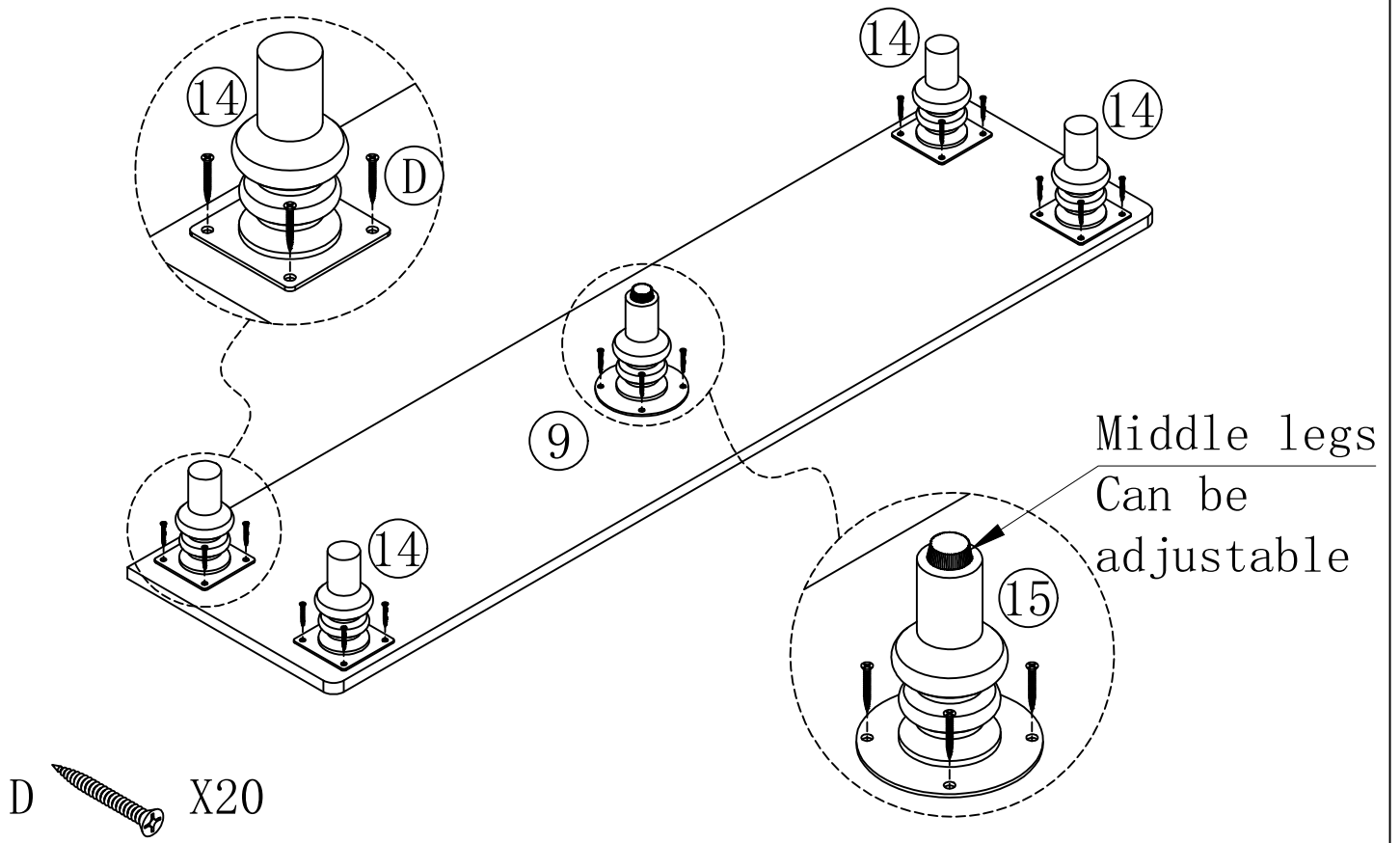
A	B	C	D	E
				
32	32	22	$\phi 4 * 20 = 20$	$\phi 3.5 * 14 = 71$
F	G	H	I	J
				
$\phi 4.5 * 20 = 16$	4	4	4	2

K			
			<p>phillips head screw driver required for assemble---not include</p>
32			

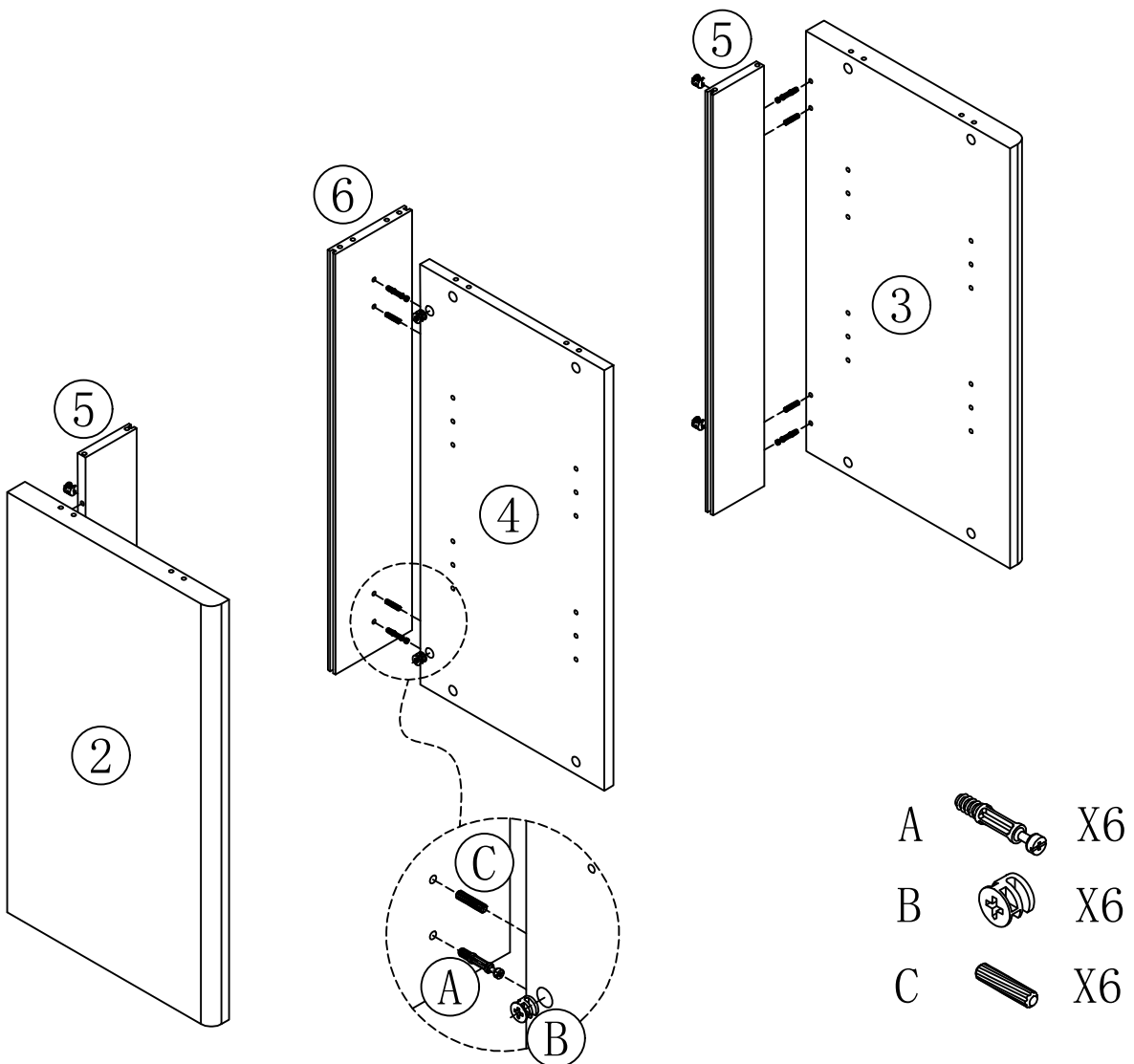
 Bolt	 X	 ✓
 Connecting piece	<p>Adjust connecting piece direction until it is properly lined up with the hole.</p>	<p>Insert bolt when connecting piece direction is properly lined up.</p>

<p>1.</p> 	<p>2.</p> 	<p>3.</p> 	<p>4.</p> 
--	---	--	---

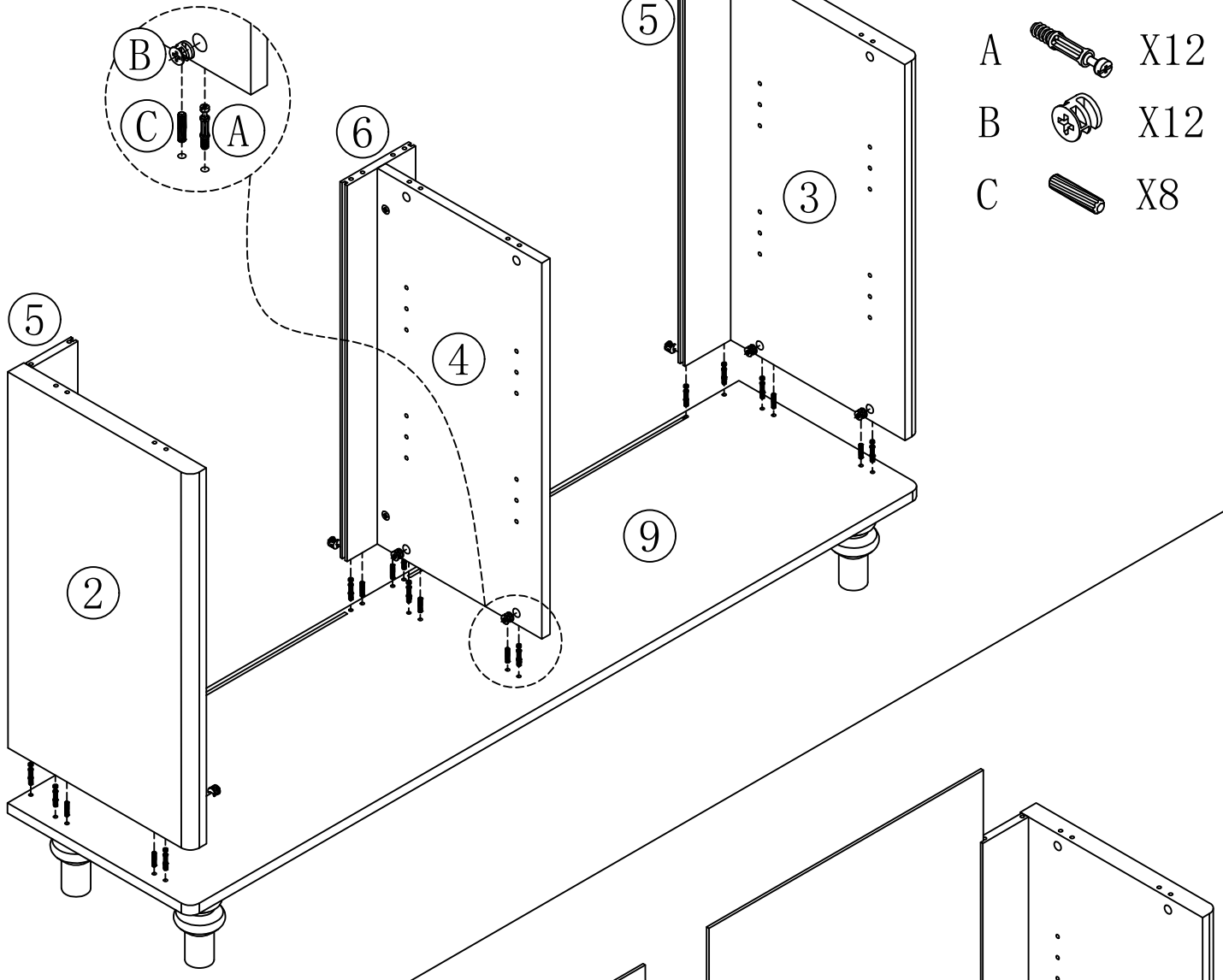
Step 1



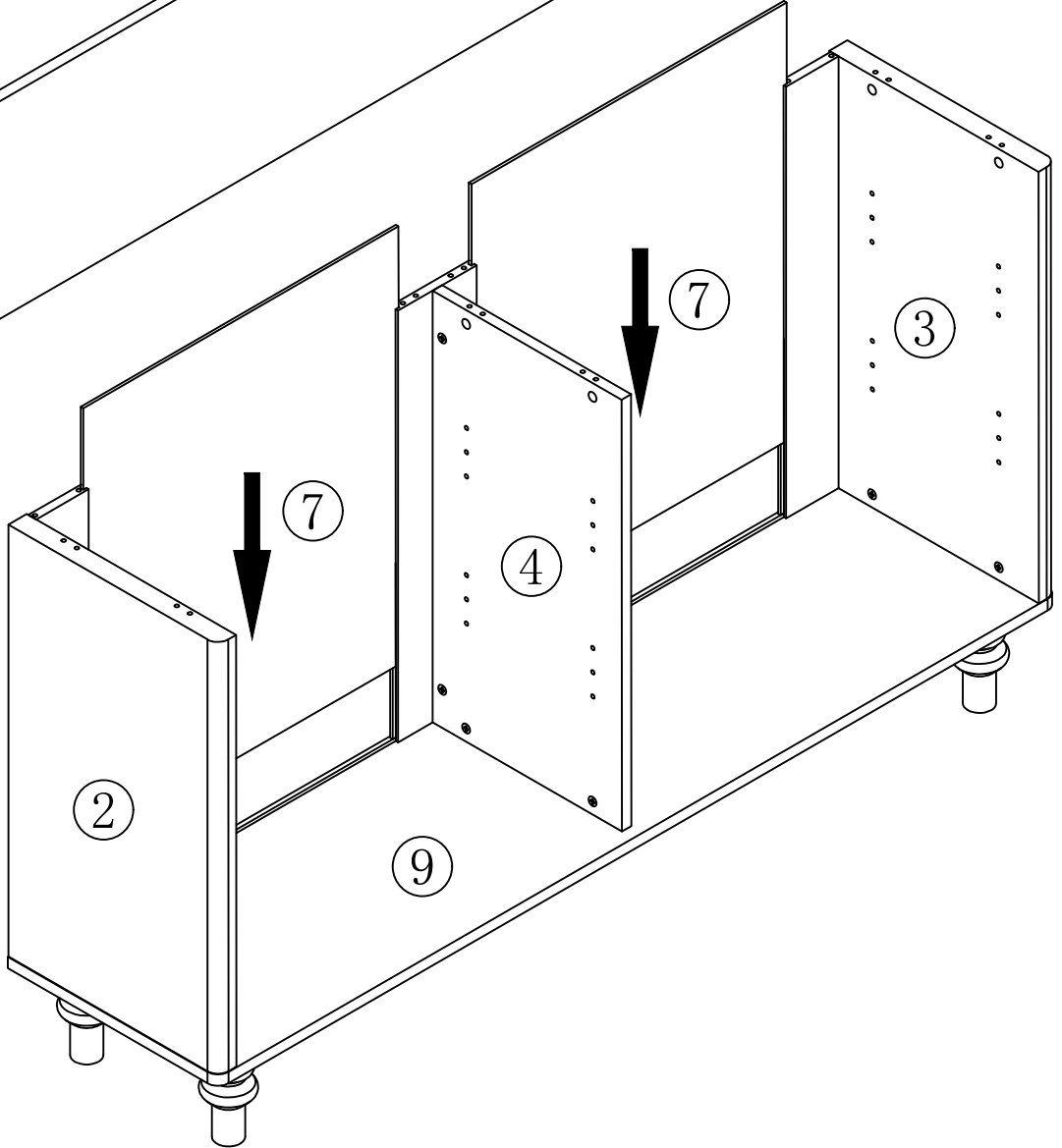
Step 2



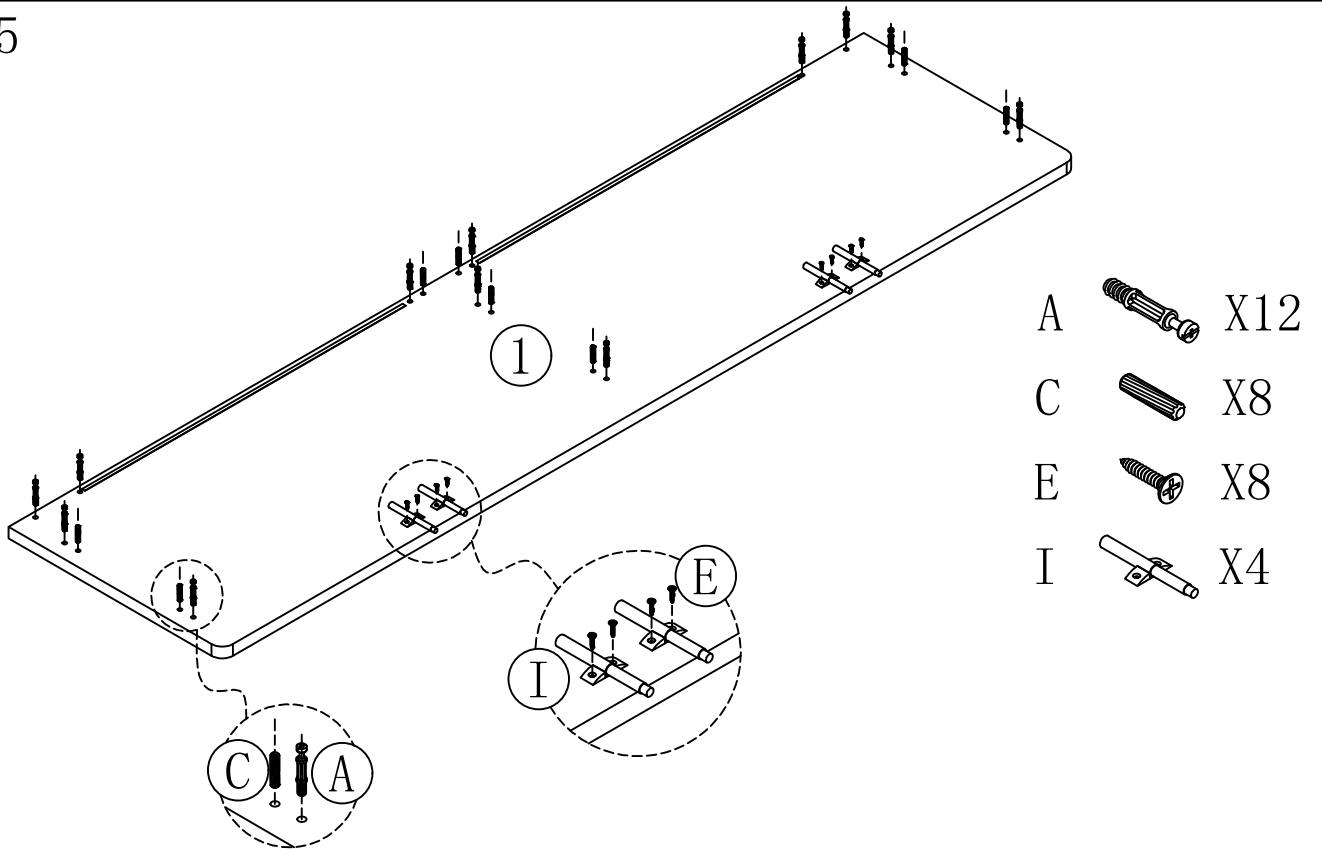
Step 3



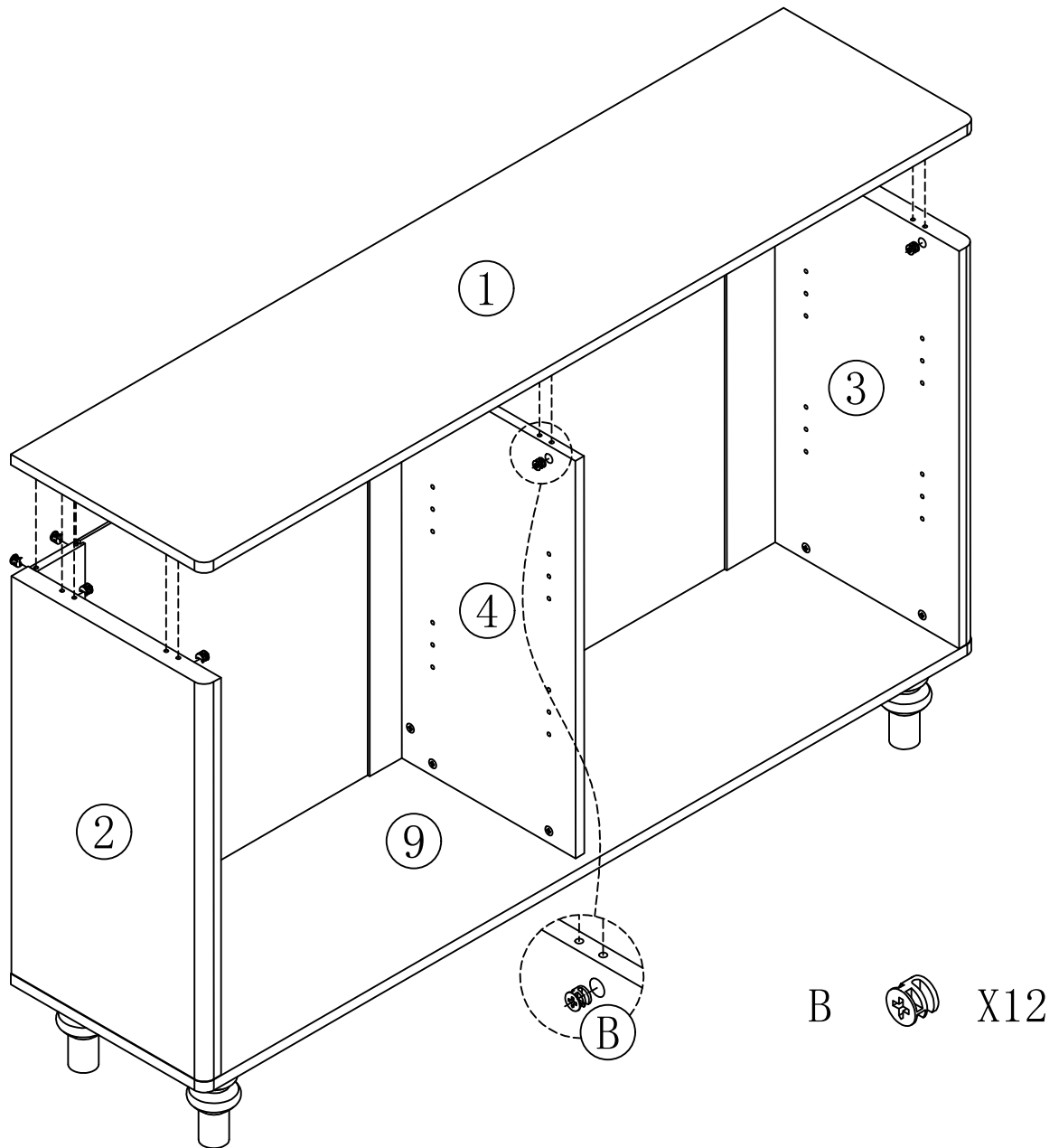
Step 4



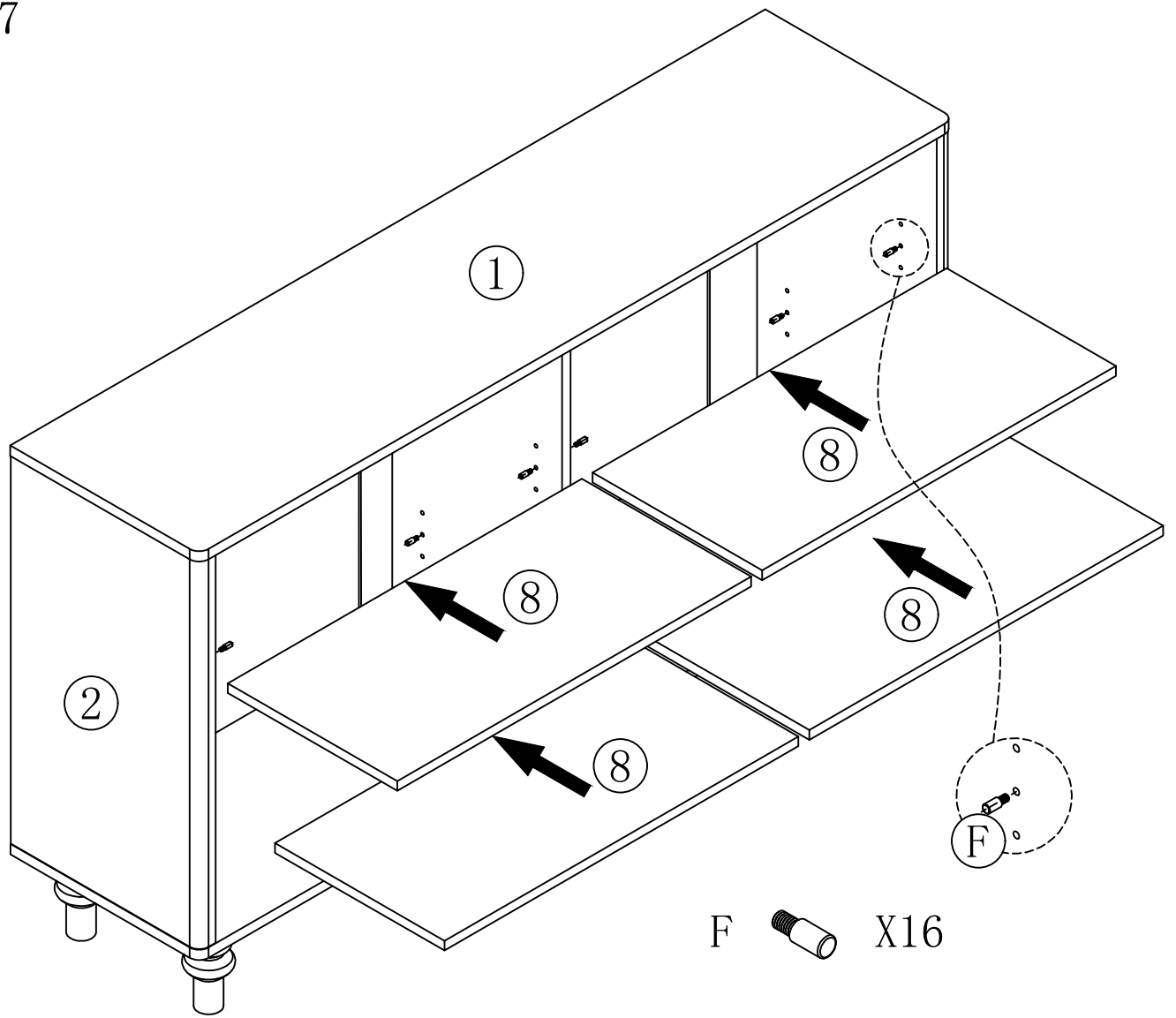
Step 5





Step 6

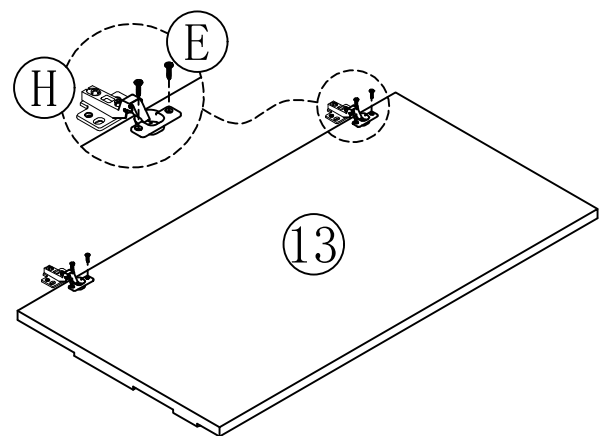
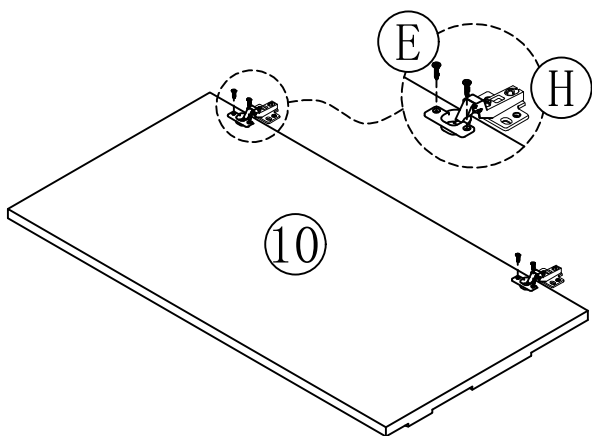


Step 7





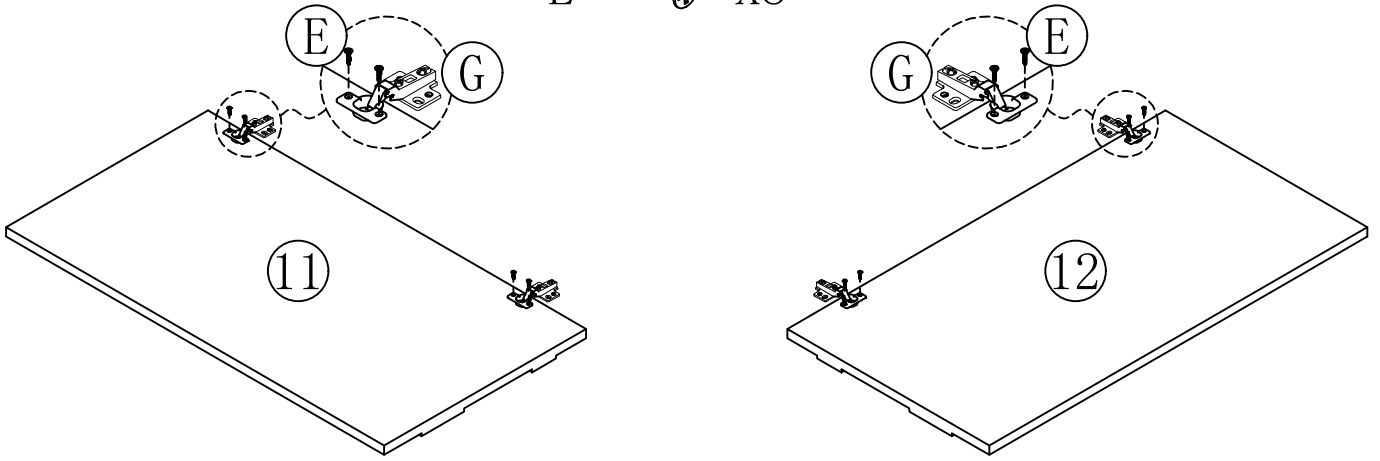
Step 8

- H  X4
- E  X8



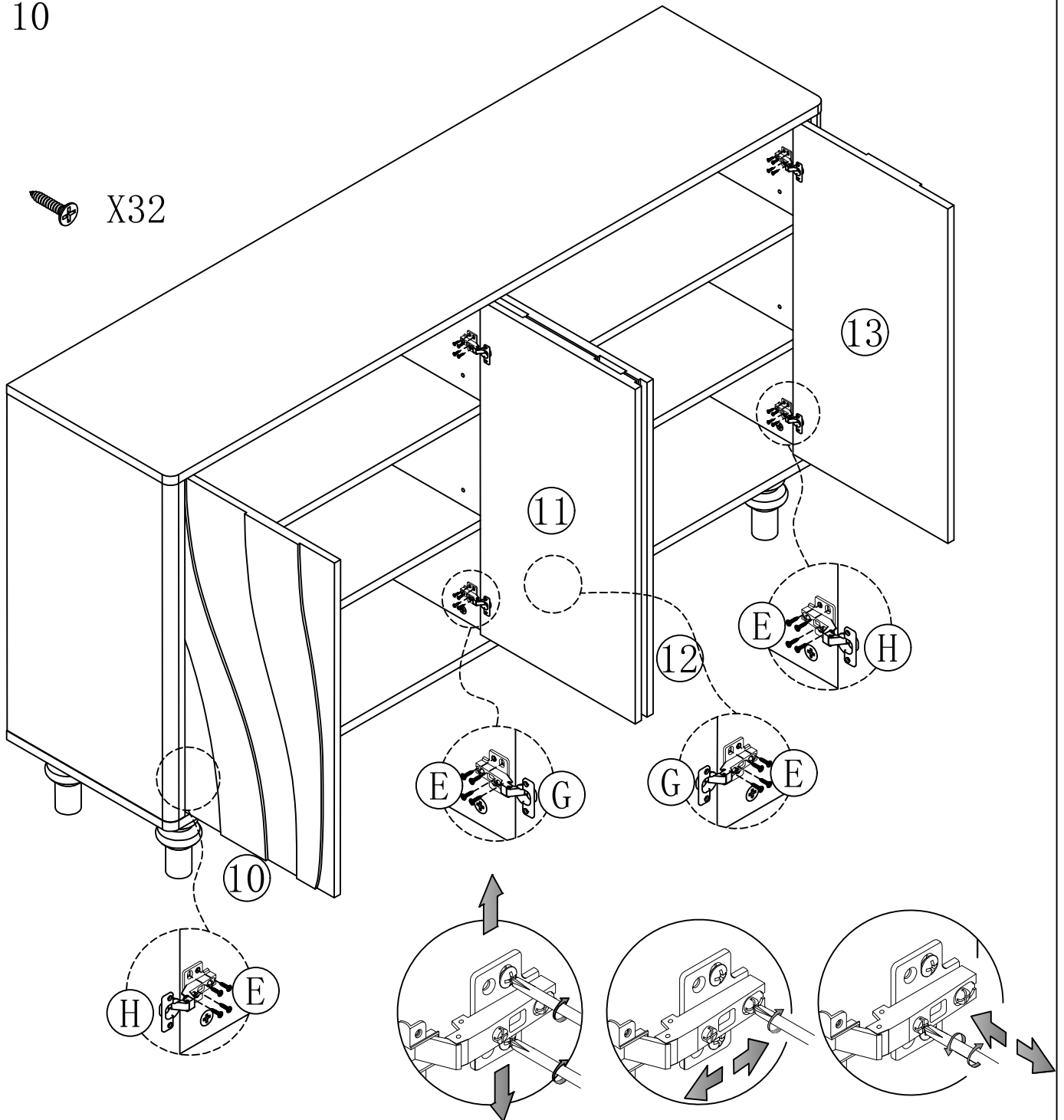
Step 9

- G  X4
- E  X8



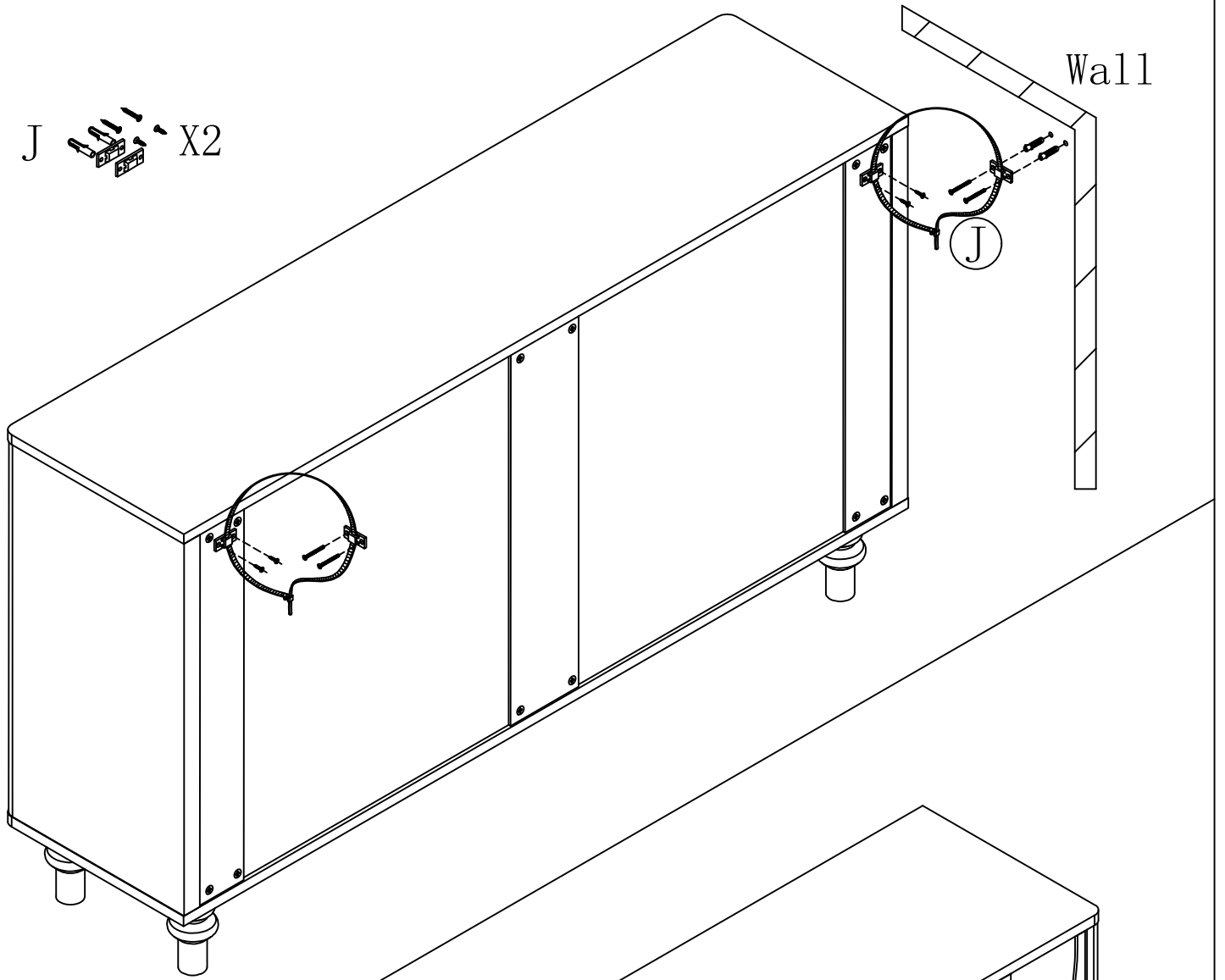
Step 10

- E  X32



Step 11

J X2



Step 12

