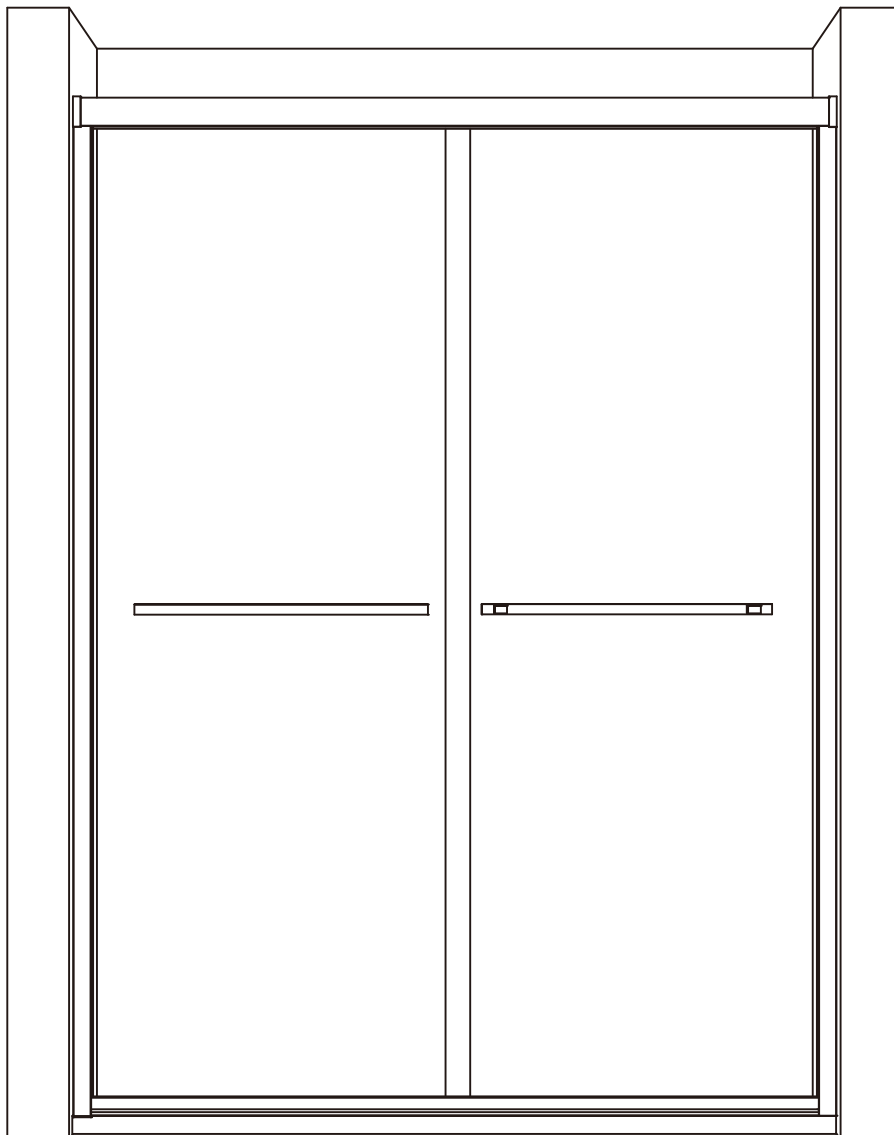


# ***GETPRO***®

Build For Luxury Life

Model: DS41



**INSTALLATION MANUAL**

**Do Not Return Product to the Store. Contact GETPRO®  
service team with any questions**



[service@getprohome.com](mailto:service@getprohome.com)

## **THIS MODEL BUILD BY LAMINATED GLASS!**

### **What is the LAMINATED GLASS?**

Laminated glass is a type of most safety glass, which is produced by bonding two or more layers of tempered glasses together with a plastic interlayer. The interlayer can keep the layers of glass bonded into one piece even when broken, the pieces do not disperse or breaking up into large sharp pieces, keep the same shape as usual, leaving the surface clean and smooth, avoid injury accidents.

### **Where Will Use Laminated Glass In Our Daily Life?**

Laminated glass also can resist the continuous attack of hammer, wood cutting knife and other weapons, and can also resist the penetration of bullets for quite a long time, so its security is extremely high. In Europe and The United States, laminated glass is normally used when there is a possibility of human impact or where the glass could fall if shattered and also for architectural applications. Typically use for Skylight glazing and vehicles windshields. In geographical areas requiring hurricane-resistant construction, laminated glass is often used in exterior storefronts, curtain walls, balcony guardrail, and windows.

### **What We Care?**

**GETPRO®** is the first company who use laminated glasses for shower door. A lot of injury accidents happened every year because of the glass door broken before installation or during using. Therefore, our team do a lot of tests for this part and finally chose the laminated glass make our shower doors. As you may know, 95% part is glass in one set of shower door, only 5% is hardware. So the safety of glass is the most important thing for this product.

### **What You Get?**

**GETPRO®** shower door not only safety, but also beautiful and stylish. We can customize your own style. You not only can choose any color silks or textiles bonded inside it, but also can send us your lovely any pictures, we can print inside it. The color can keep for long life and will not fade away. Therefore, please contact us anytime if you want your own style! Hoping you enjoy our safety shower door with elegant style.

# PREPARATION

Prior to installation, examine all boxes and packages for shipping damage and compare piece count with your packing slip. After opening all boxes and packages, read this introduction carefully.

Check that all of the needed parts are included in the package by marking all the components on the "HARDWARE LISTING". If the unit has been damaged, has a finishing defect, or has missing parts, please contact our customer service department within 5 business days of the delivery date. Please note that **GETPRO®** will not replace any damaged products or missing parts free of charge after 5 business days or if the product has been installed. Feel free to contact **GETPRO®** if you have any questions and please provide a purchase order #, name or other proof of purchase to help identify the original order.

## IMPORTANT

**GETPRO®** reserves the right to alter, modify or redesign products any time without prior notice for product improvement and customer experience. Please refer to the model's web page on [getprohome.com](http://getprohome.com) for the latest technical drawings, installation manuals, warranty information or additional product details.

This product should be installed by someone familiar with the construction requirements for this type of project and the care necessary for the safe installation and operation of the product.

The safety of any installation is the responsibility of the installer.

Professional installation recommended. (All Models)

Professional installation required.

To prevent damage or serious injury, Do Not lean against the installed panel/door/glass.

To prevent damage or serious injury, Do Not attempt to lift or move a heavy lite of glass alone. Use an assistant and/or a professional grade glass suction cup.

The installation of some models may require drilling down into the threshold. Contact the manufacturer of the base, tub, or threshold material with any questions regarding the drilling of holes into their product.

All drawings in this installation manual are for illustrative purposes only and are not drawn to scale.

## WARNING: TO AVOID THE RISK OF DAMAGE OR INJURY

Follow all recommendations and requirements as shown in the installation instructions.

Perform a thorough inspection of the glass and all parts for any damage prior to installation. Any damage to laminated glass can cause breakage.

Do Not install damaged glass!

Do Not install or operate a shower or tub door if the glass has chipped corners, slivered edges or is otherwise damaged. Do Not install or operate a shower or tub door that has been dropped or banged into a hard surface such as tile, marble or glass.

CAUTION: Contact with any hard surface can damage laminated glass and cause it to shatter.

This product uses laminated glass. Glass cannot be cut after it has been tempered. Do Not attempt to cut laminated glass.

**GETPRO® Laminated Glass Shower doors**, Tub doors, Inline panels, and Return panels can shatter due to improper handling or lack of maintenance. Conduct periodic inspections of glass and all parts for possible damage, missing or loose parts.

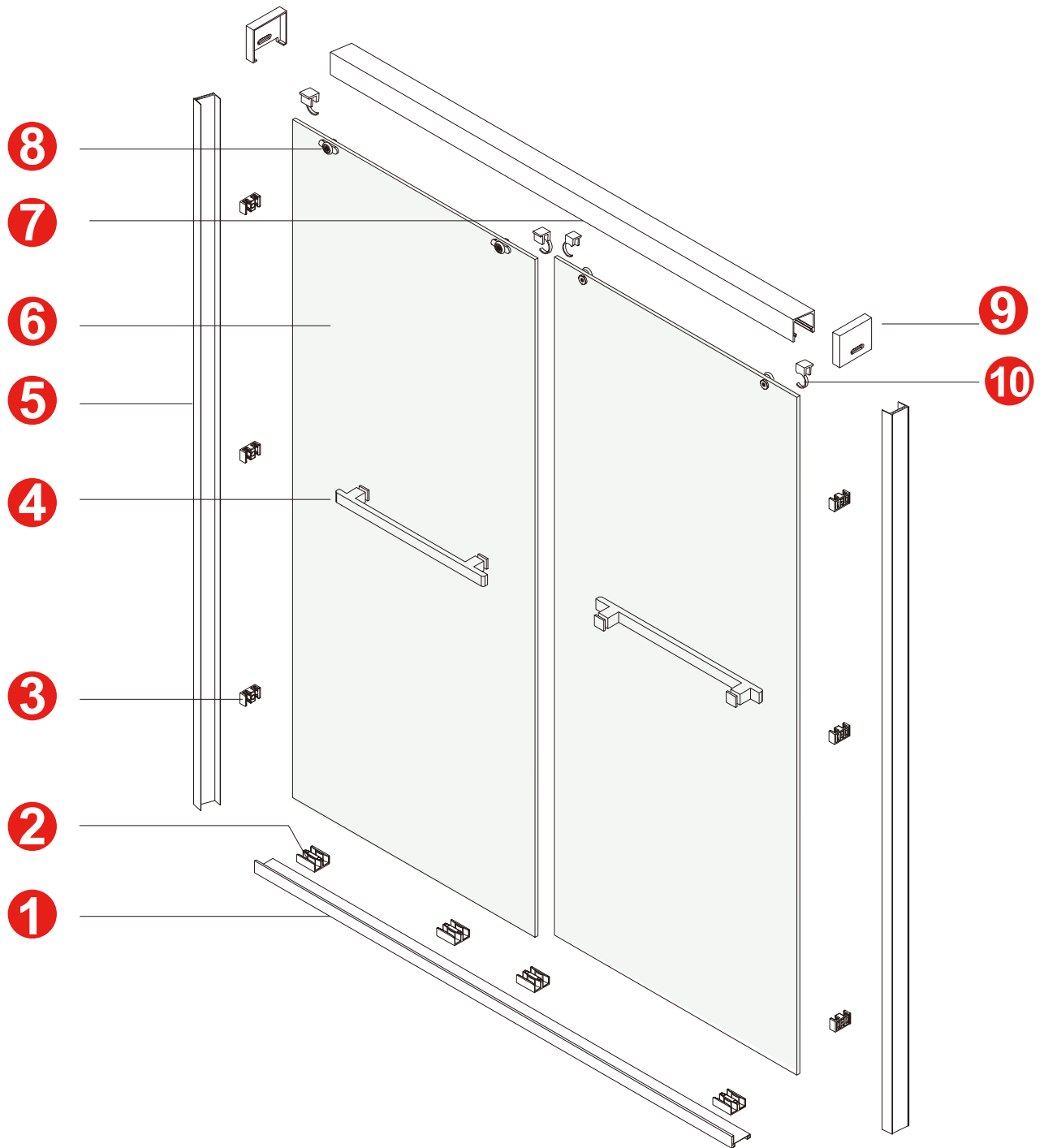
Always wear proper safety equipment such as: safety goggles, work gloves and appropriate footwear during the installation process.

WARNING. Risk of leakage and/or damage. Follow all instructions regarding the application of silicone sealant or caulk. Allow 24 hours for the sealant to cure before the initial use of the shower or tub product. Follow the silicone manufacturer's recommendations regarding the use of their product.

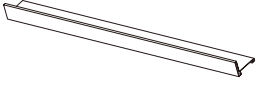
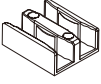
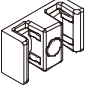
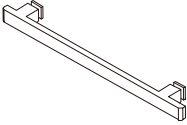

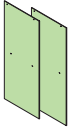
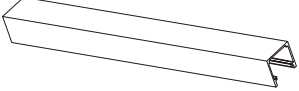

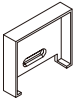
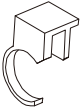





Thoroughly read these instructions before installing or using this product.

Leave this manual for the end-user of the product.

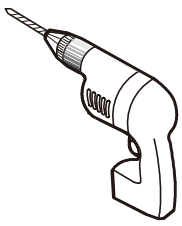
# Detailed Diagram of Shower Door Components



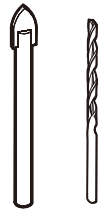
## HARDWARE LIST

ITEM	REFERENCE IMAGE	NAME	QTY
①		Bottom Guide Rail	1
②		Guide Block	4
③		Wall Profile Bumpers	6
④		Towel Bar	2
⑤		Wall Profile	2
⑥		Door Glass	2
⑦		Upper Guide Rail	1
⑧		Roller Assembly	4
⑨		Cover	2
⑩		Anti-jump Hook	4
⑪		Wall Anchor	8
⑫		Truss Head Self-Tapping Screw/ ST4*30	8
⑬		Truss Head Self-Tapping Screw/ M4*10	8
⑭		Truss Head Self-Tapping Screw/ ST4*12	6
⑮		D01 Screw cover	14

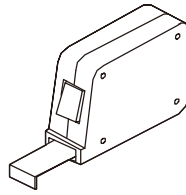
## TOOLS REQUIRED



Power Drill



1/4" & 1/8" Drill Bits



Tape Measure



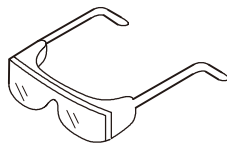
Phillips Screwdriver



level



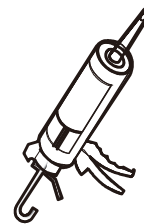
Pencil



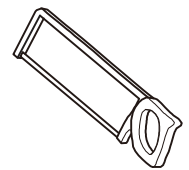
Safety Goggles



Mallet



Silicone



hacksaw

### NOTE:

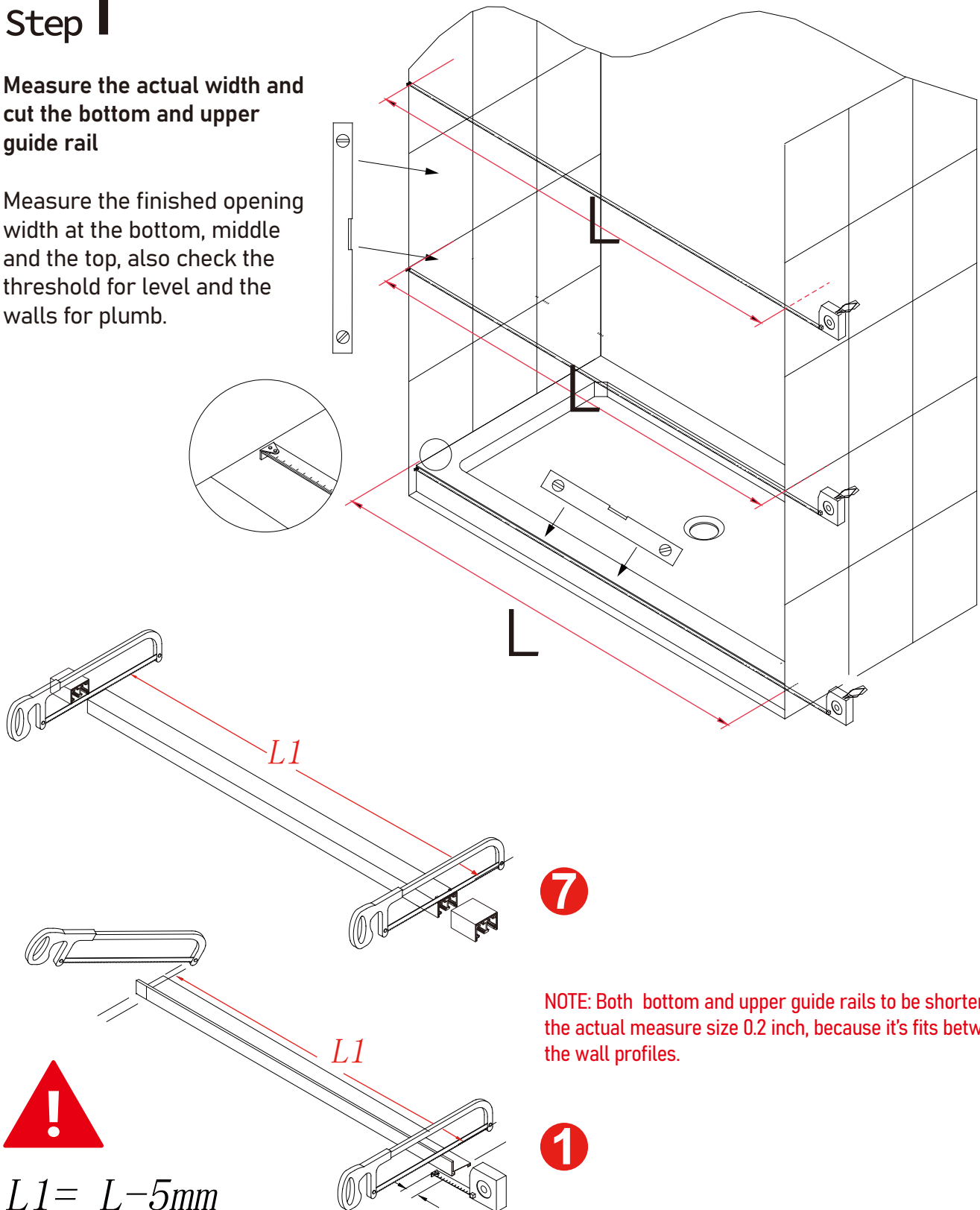
Unpack your unit carefully and inspect it. Lay it out and identify all parts using the DETAILS DIAGRAM, and packing list in this manual as a reference. Before discarding the carton, check for small hardware box that may have fallen to the bottom of the carton. If any parts are damaged or missing, please contact GETPRO for replacement. The shipping boxes may contain extra parts not used in your model configuration. Retain these installation instruction for future reference.

# INSTALLATION STEPS

## Step 1

Measure the actual width and cut the bottom and upper guide rail

Measure the finished opening width at the bottom, middle and the top, also check the threshold for level and the walls for plumb.

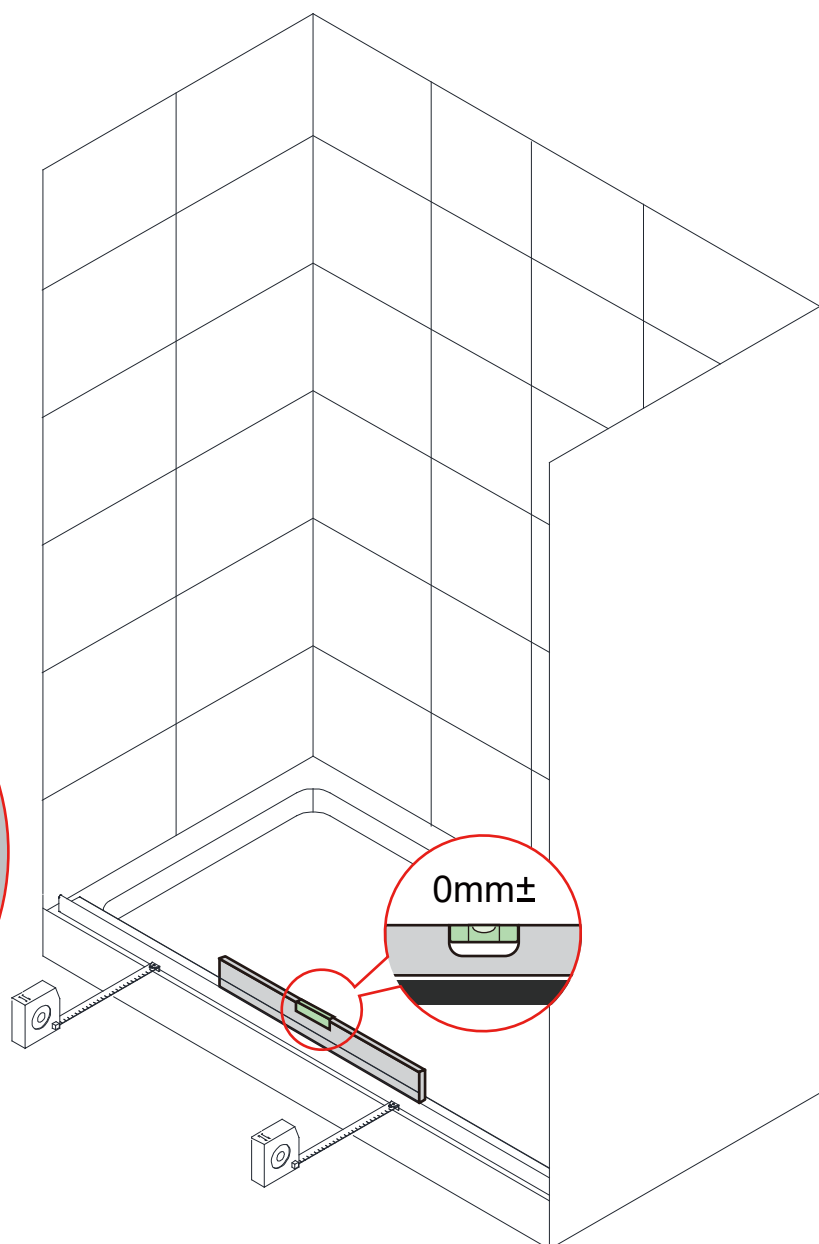
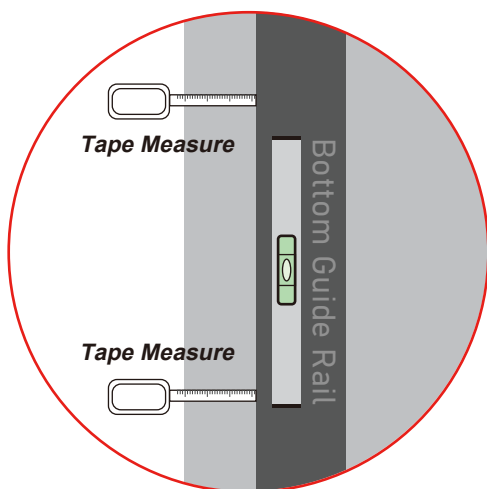


## Step 2

Place the bottom guide rail onto the threshold in the desired position. Check the threshold with a level and Use a tape measure align it evenly with the front edge and mark it's position.

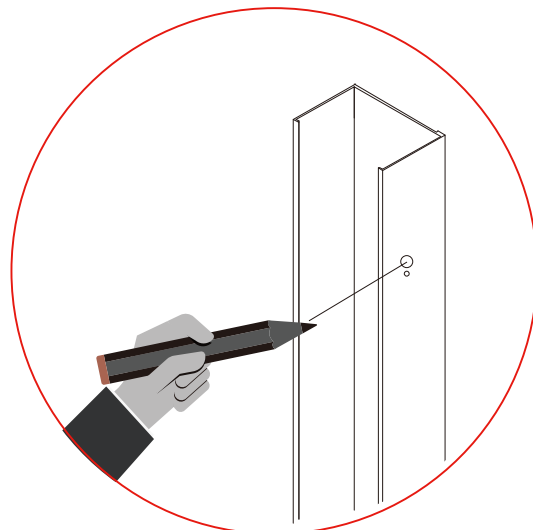
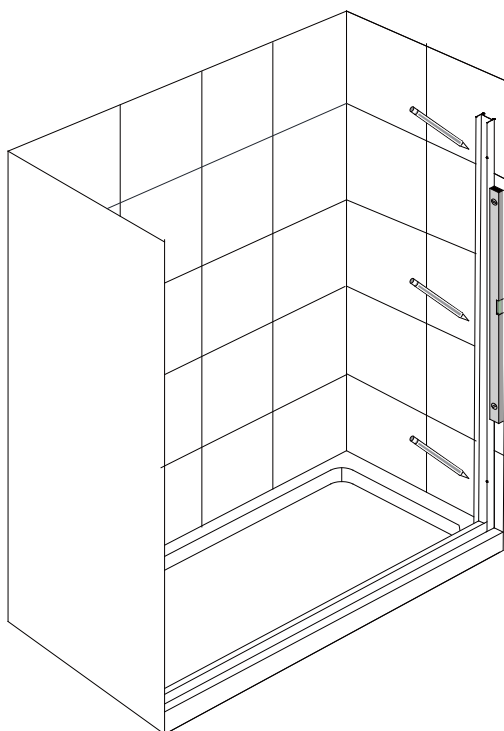
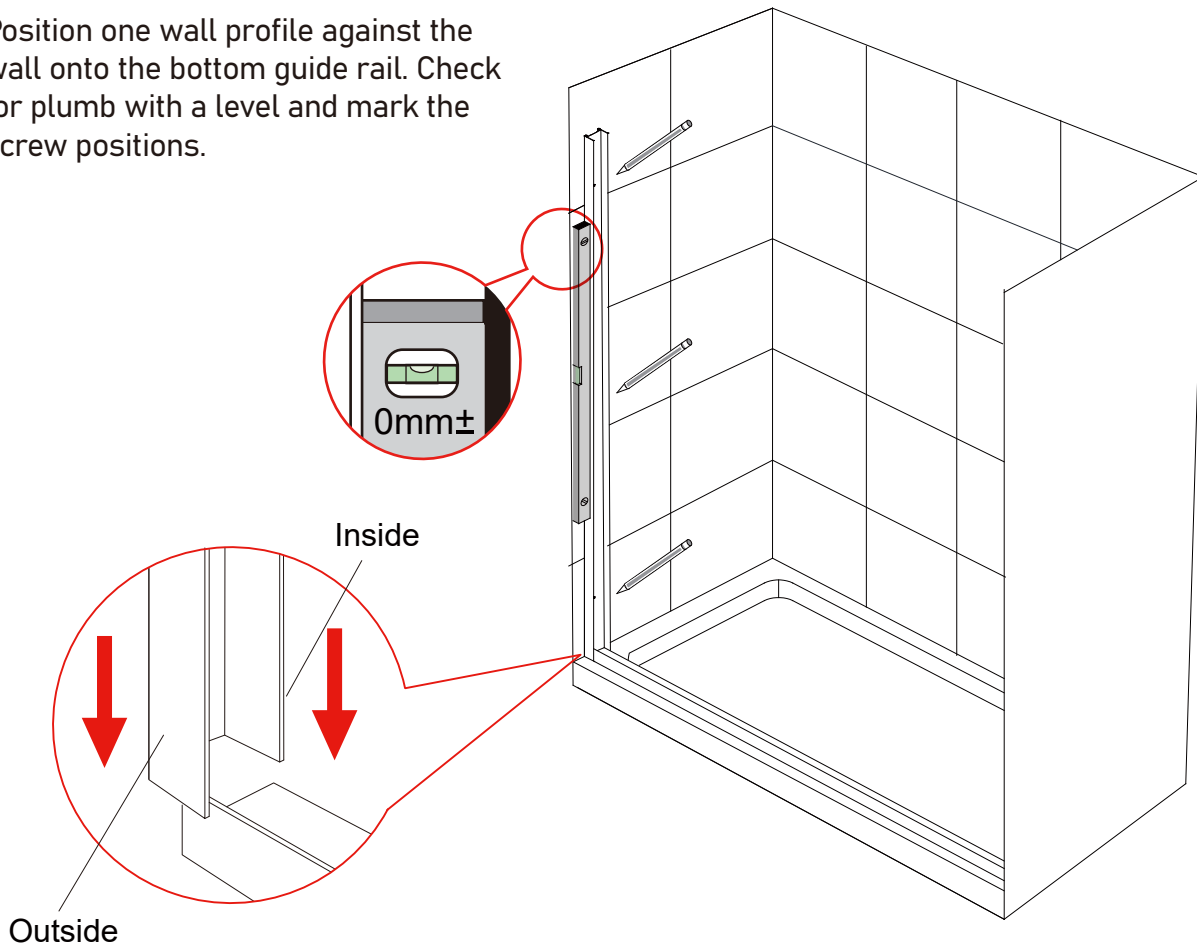


Make sure the bottom guide rail is horizontal and parallel to the threshold



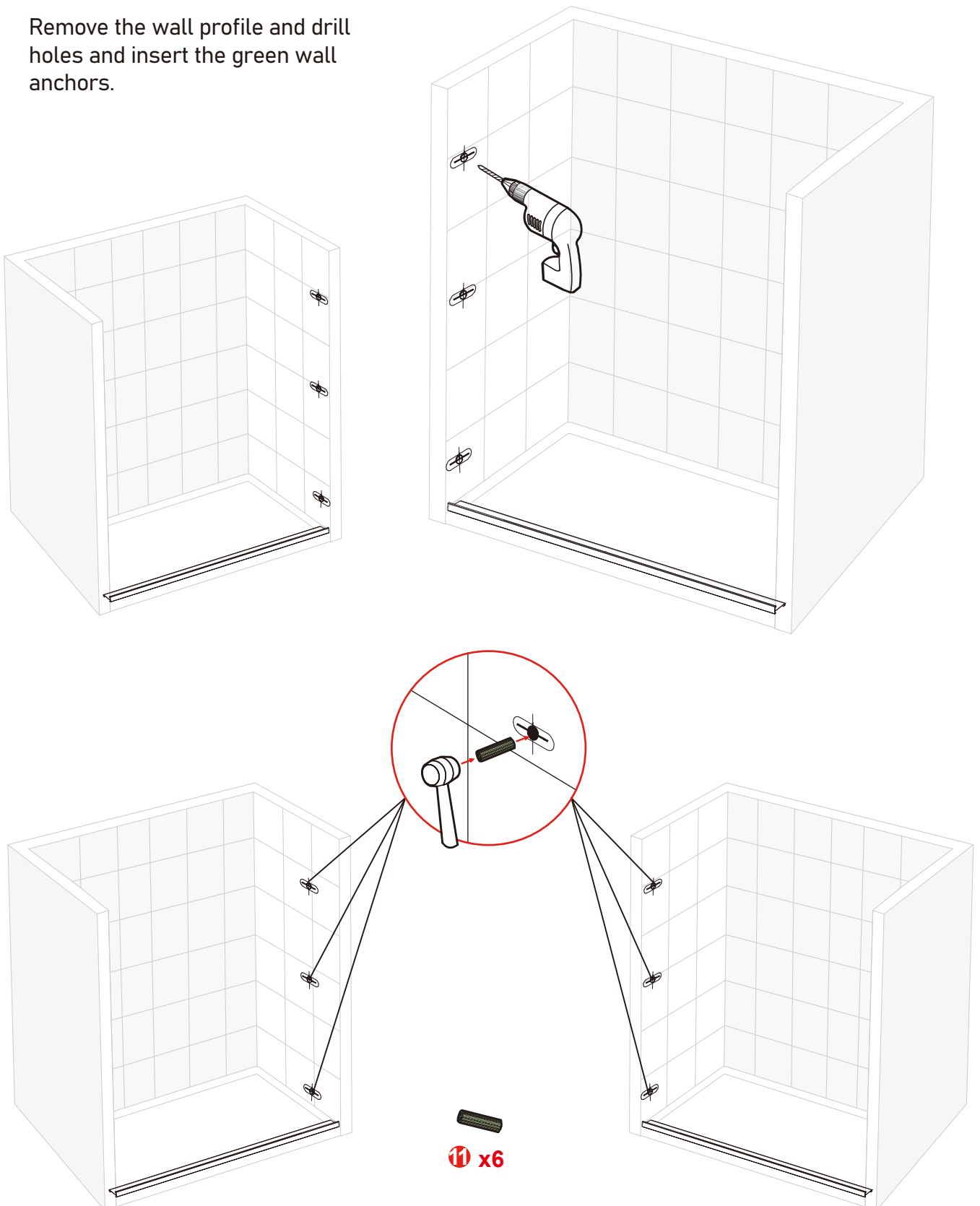
## Step 3

Position one wall profile against the wall onto the bottom guide rail. Check for plumb with a level and mark the screw positions.



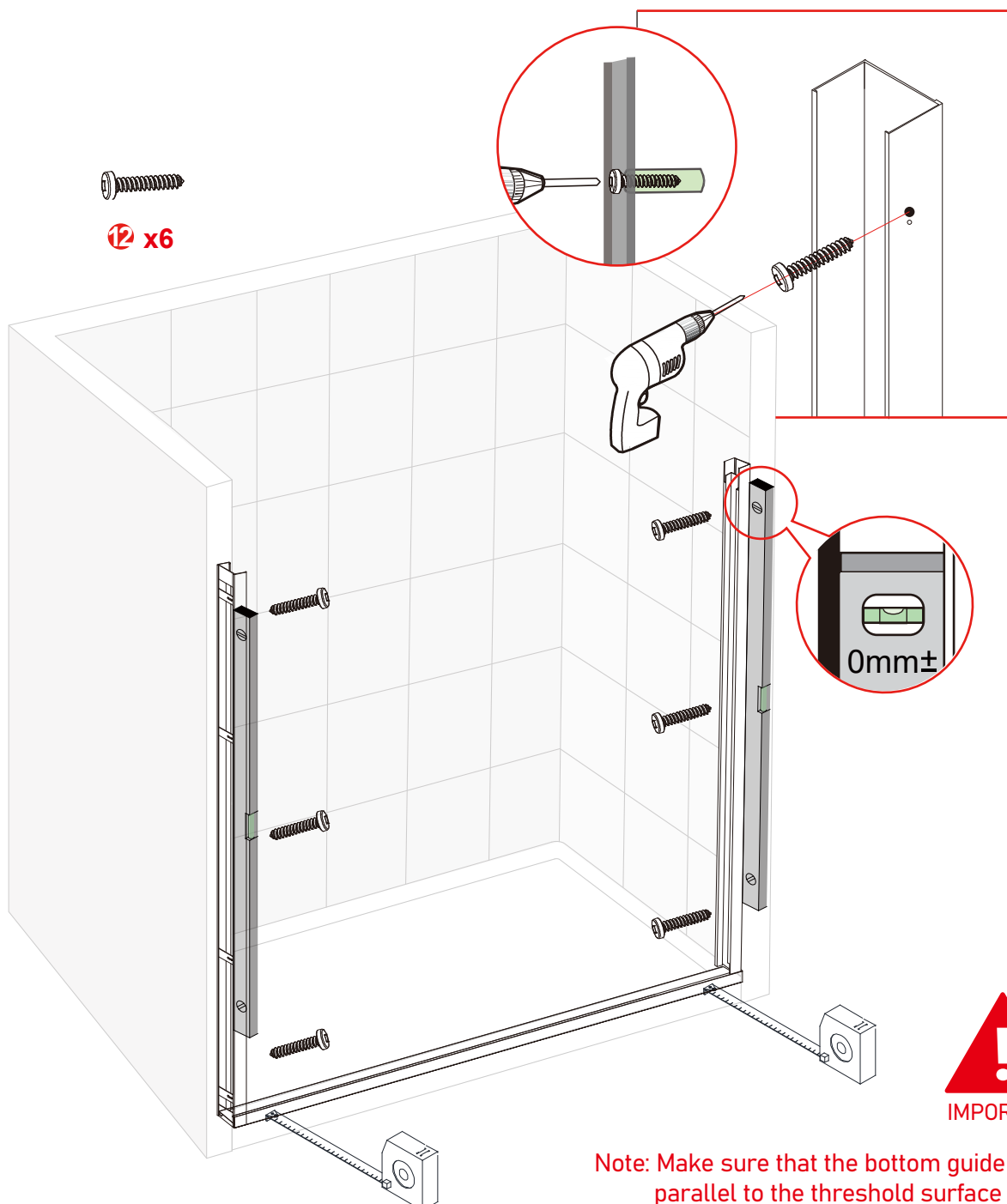
## Step 4

Remove the wall profile and drill holes and insert the green wall anchors.



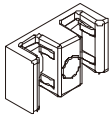
## Step 5

Place the wall profile sit firmly on the bottom guide rail, fix the left and right sides of the wall profiles with 6 screws.



## Step 6

Please follow the screw holes installed  
three Wall Profile Bumpers on both Wall Profiles,  
and cover the holes with the decorative caps.



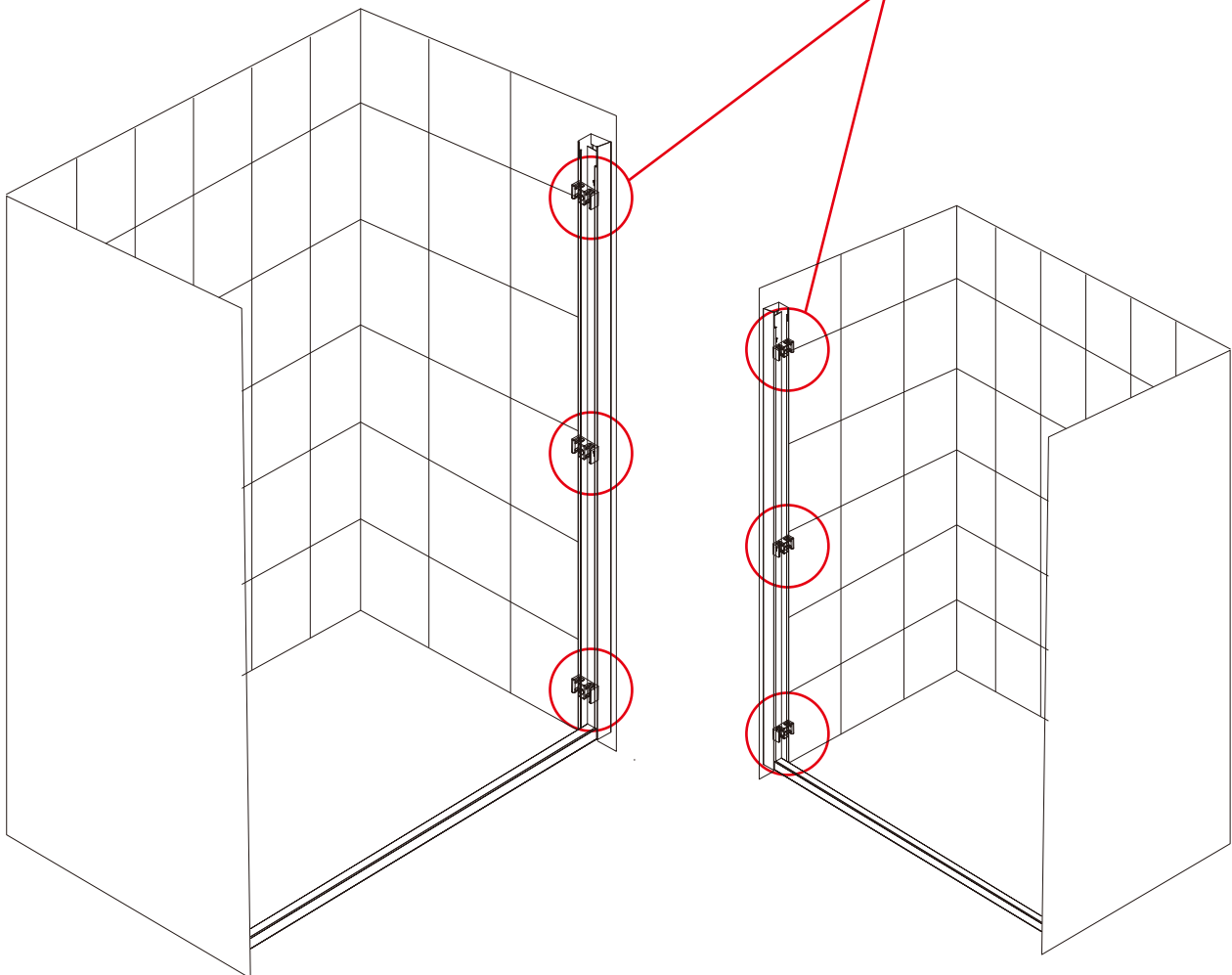
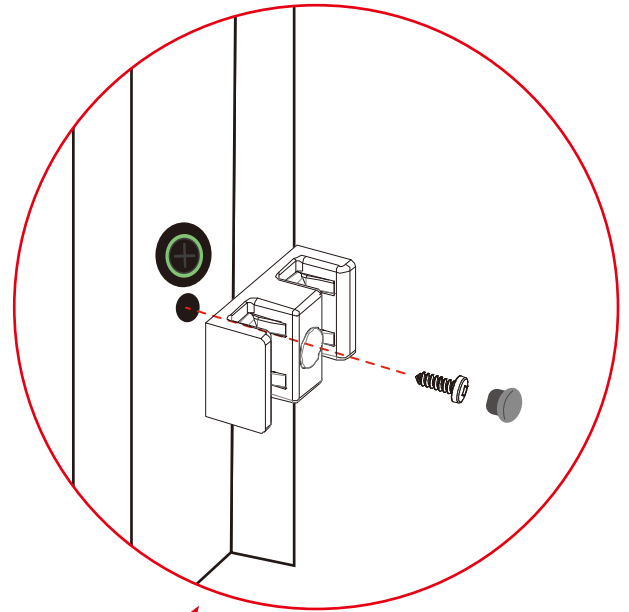
③ x6



⑭ x6

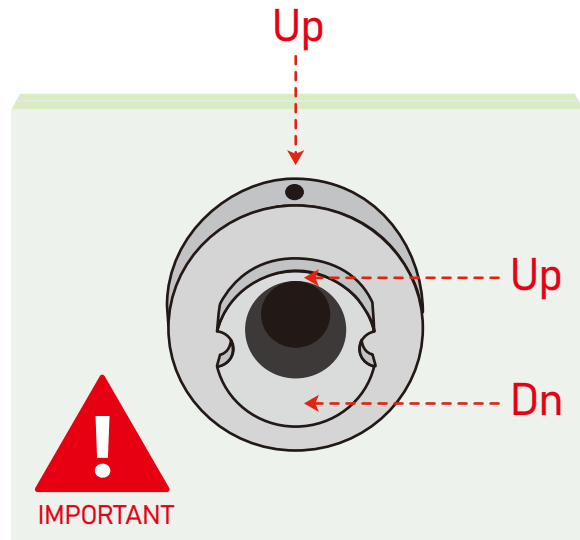
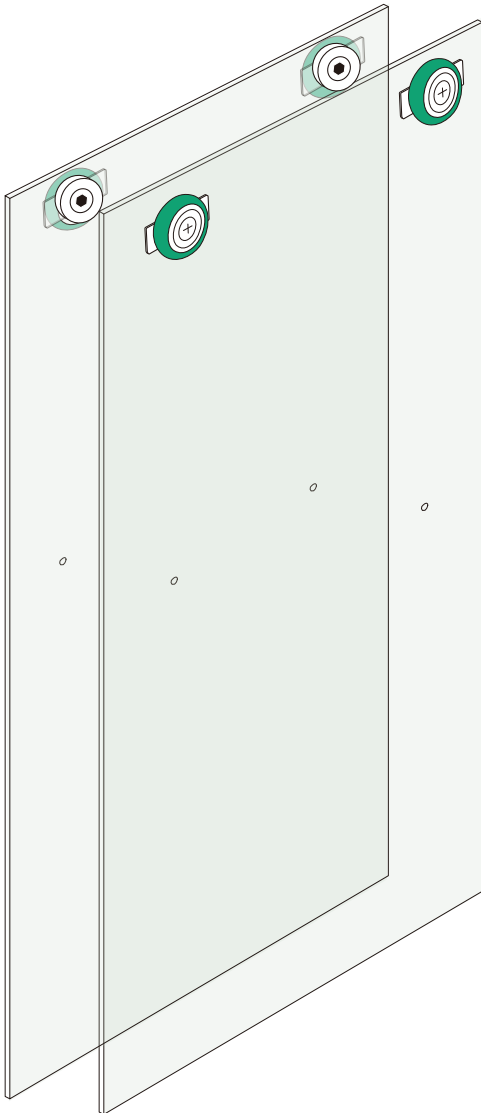


⑮ x6

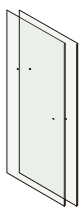
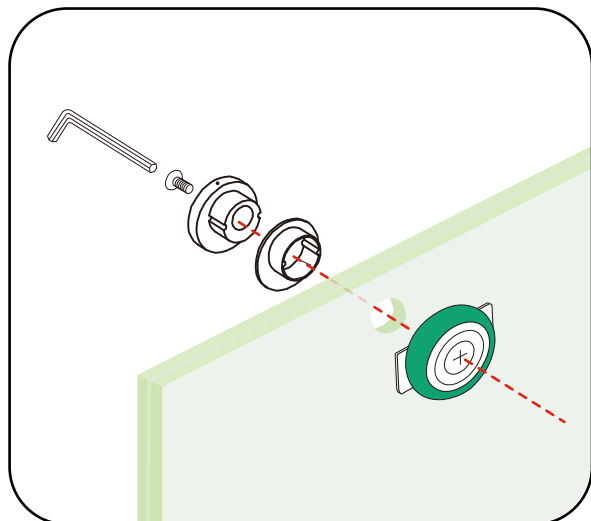


# Step 7

Install 4 Roller Assemblies onto the tops of both doors.



**Important TIP:** Be sure this spare part face to the correct direction. It can help the glass door keep in the same level when you hanging onto the upper guide rail.



6 x 2

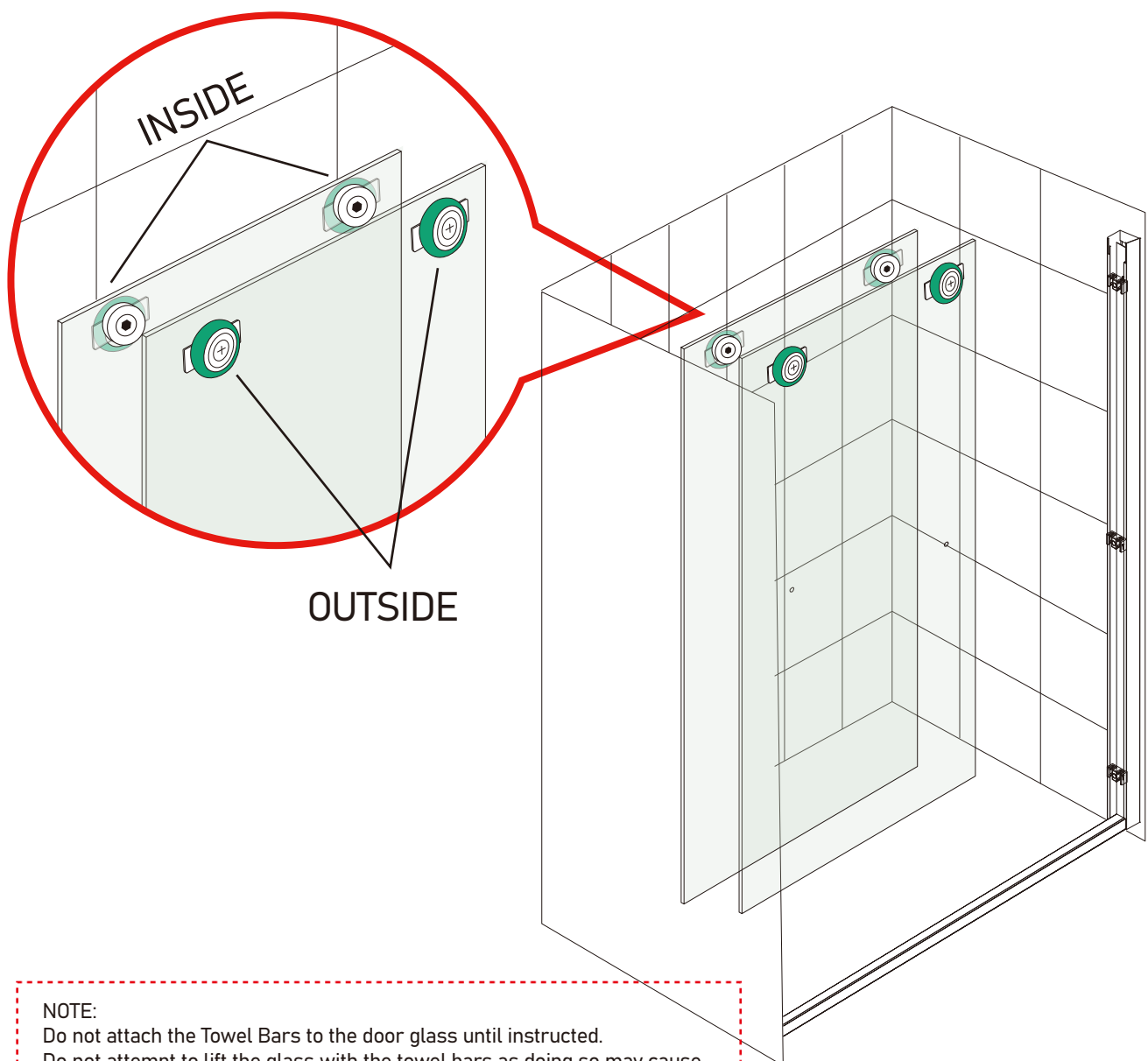


8 x 4

## Step 8

Be sure to position the rollers facing in the correct direction for each door - Two wheels facing OUT for the outside door glass, and two wheels facing IN for the inside door glass.

Bring both glass doors into the shower area for hanging. Using padding to protect the glass and shower area.

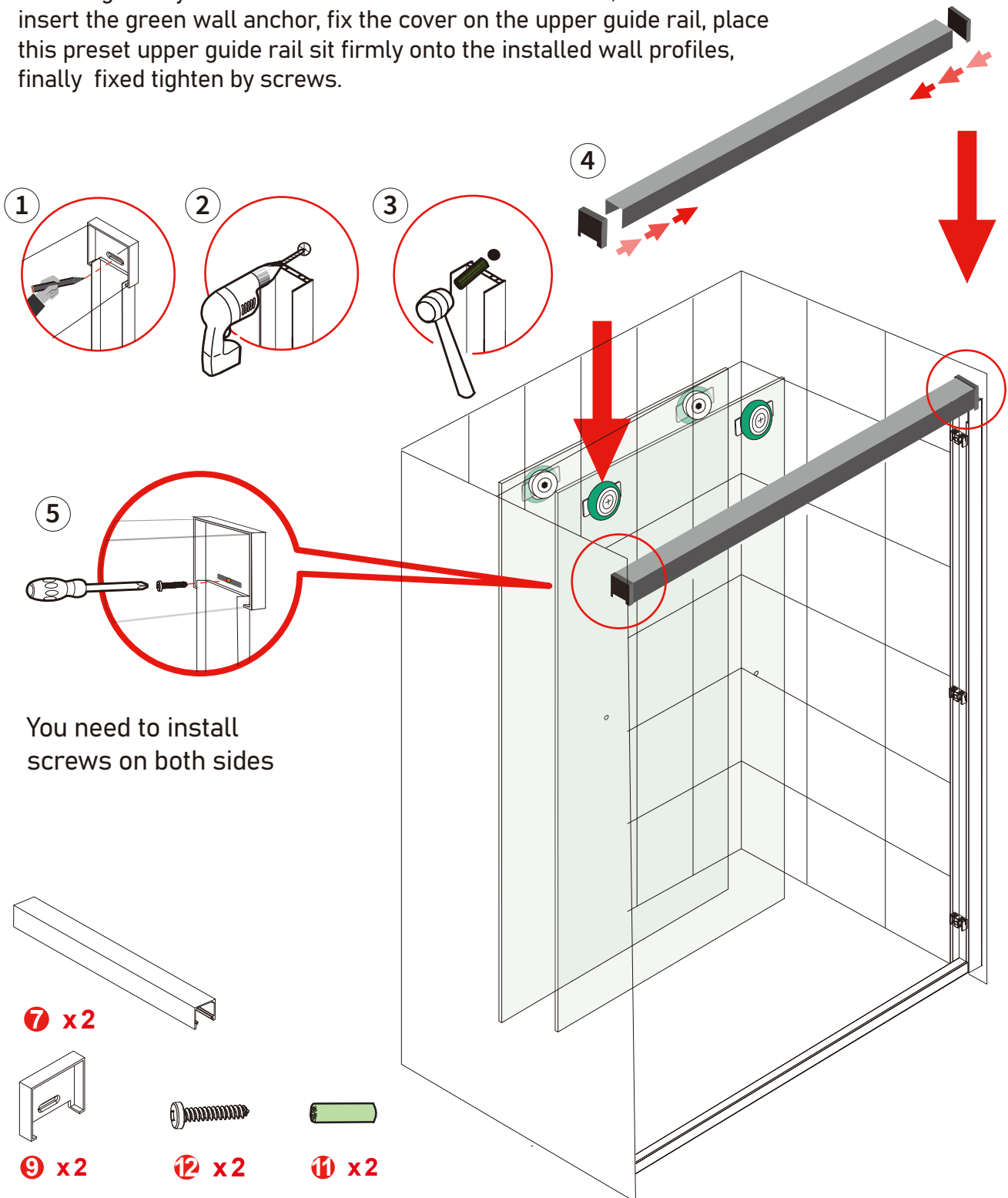


**NOTE:**

Do not attach the Towel Bars to the door glass until instructed.  
Do not attempt to lift the glass with the towel bars as doing so may cause damage to the glass and/or serious personal injury. Use an assistant or a professional grade glass suction cup to handle the glass.

## Step 9

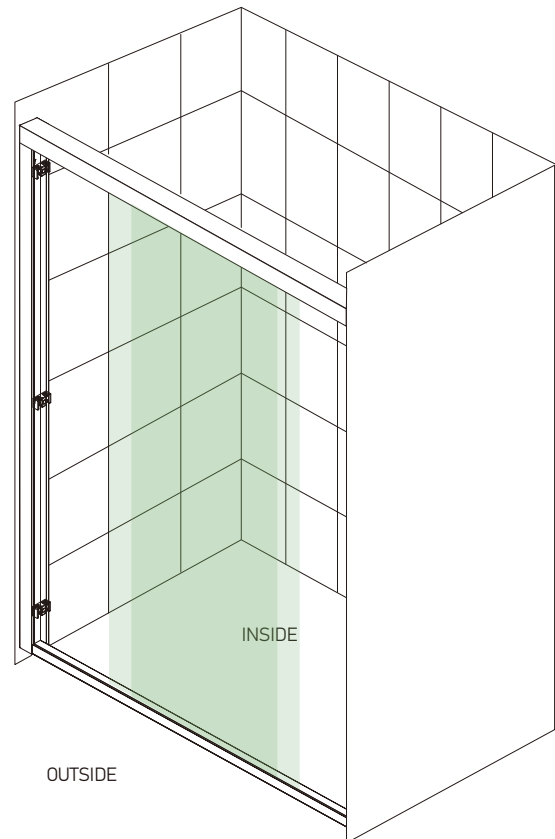
Install the upper guide rail onto the installed wall profiles, the steps as following: firstly use the cover mark the hole on the wall, remove it then insert the green wall anchor, fix the cover on the upper guide rail, place this preset upper guide rail sit firmly onto the installed wall profiles, finally fixed tighten by screws.



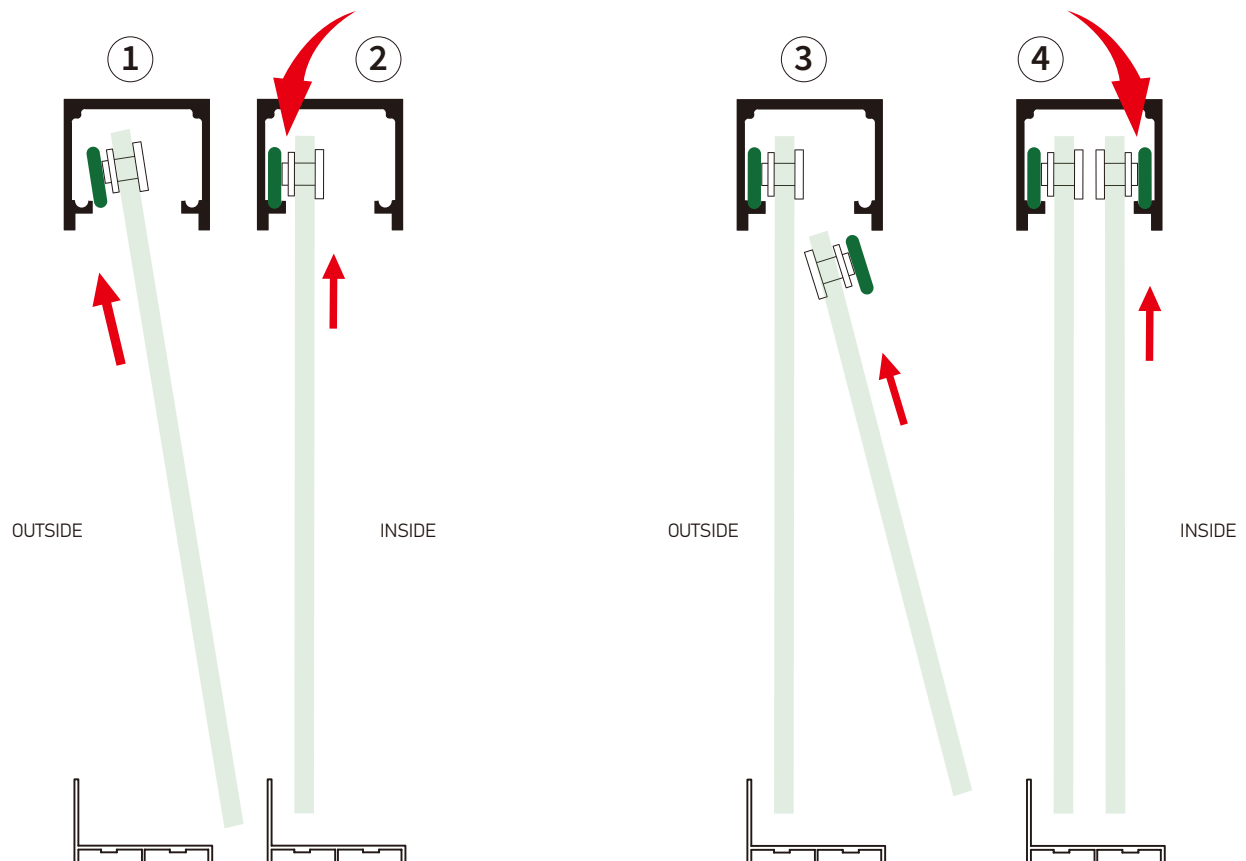
## Step 10

Lift and insert the outer door glass up into the upper guide rail so the Roller Assemblies fit into the groove inside the rail. Carefully lower the Upper Guide Rail so the glass door slides into the proper slot..

Next, Install the inner glass door in the same manner. Slowly move the installed door to the opposite end, lift the Upper Guide Rail, and install the inner glass door into the Upper Guide Rail.



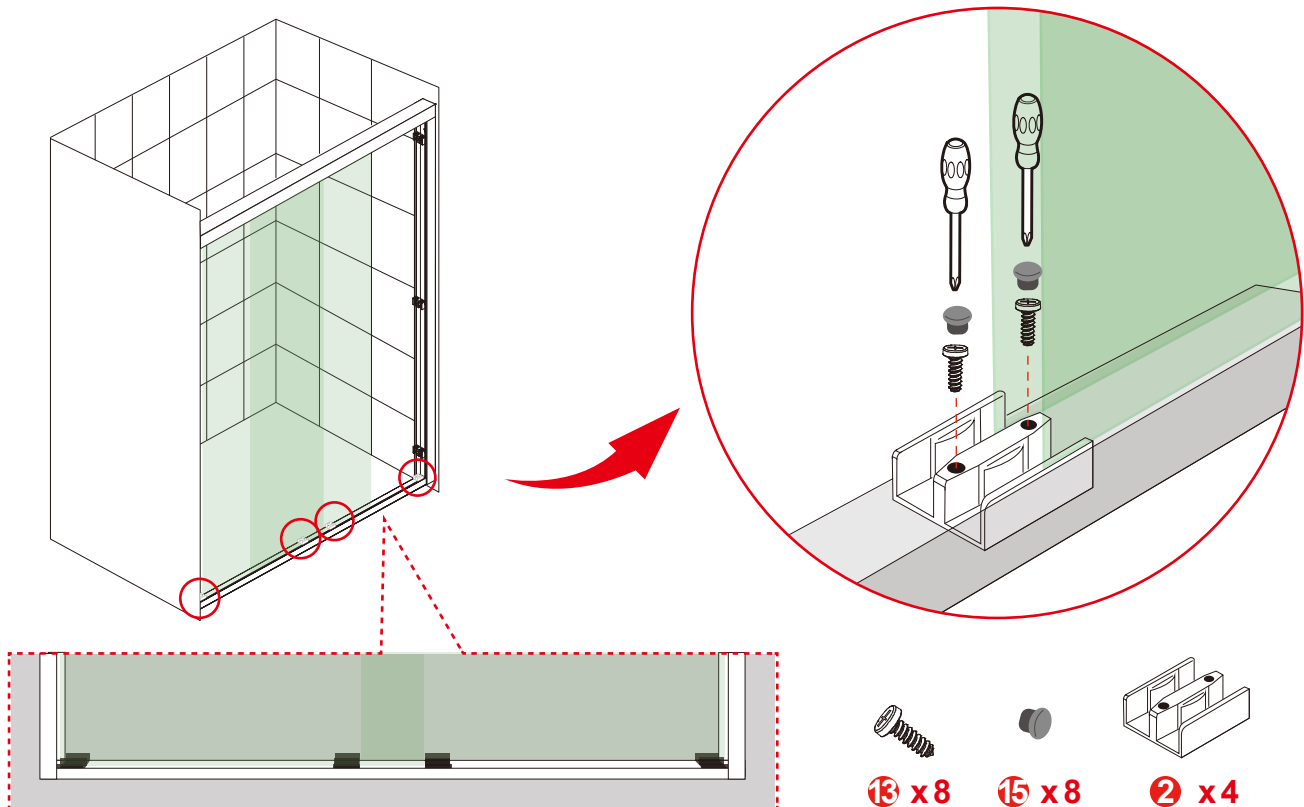
Please follow the bellow steps:



## Step 11

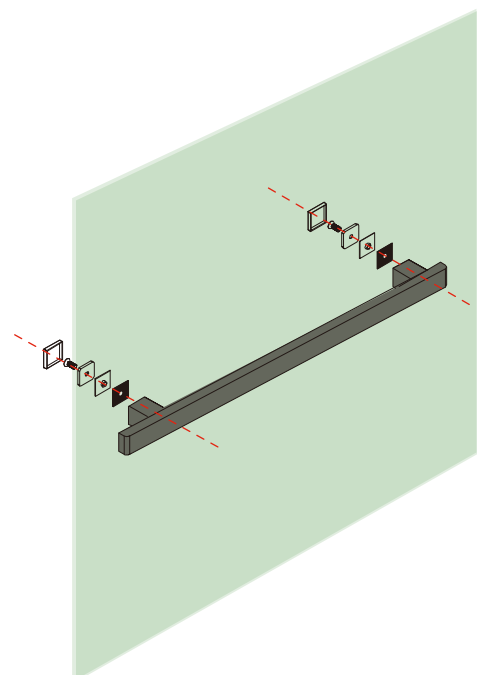
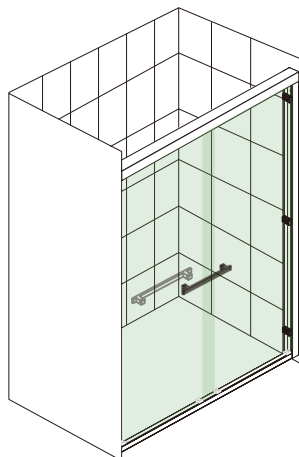
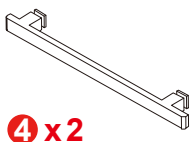
Make sure the Bottom Guide Rail is level, move both glass doors to the opposite end, attached the Guide Block and Bottom Guide Rail to the threshold using four of the screws. Cover the screw holes with the decorative caps.

**IMPORTANT:** There's two holes in the middle of the Bottom Guide Rail, Please follow this two holes install two Guide Blocks, The other two Guide Blocks must against the wall profiles to installed. Slowly move two glass doors into the groove of the Guide Blocks.



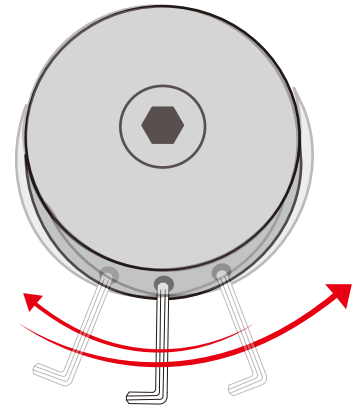
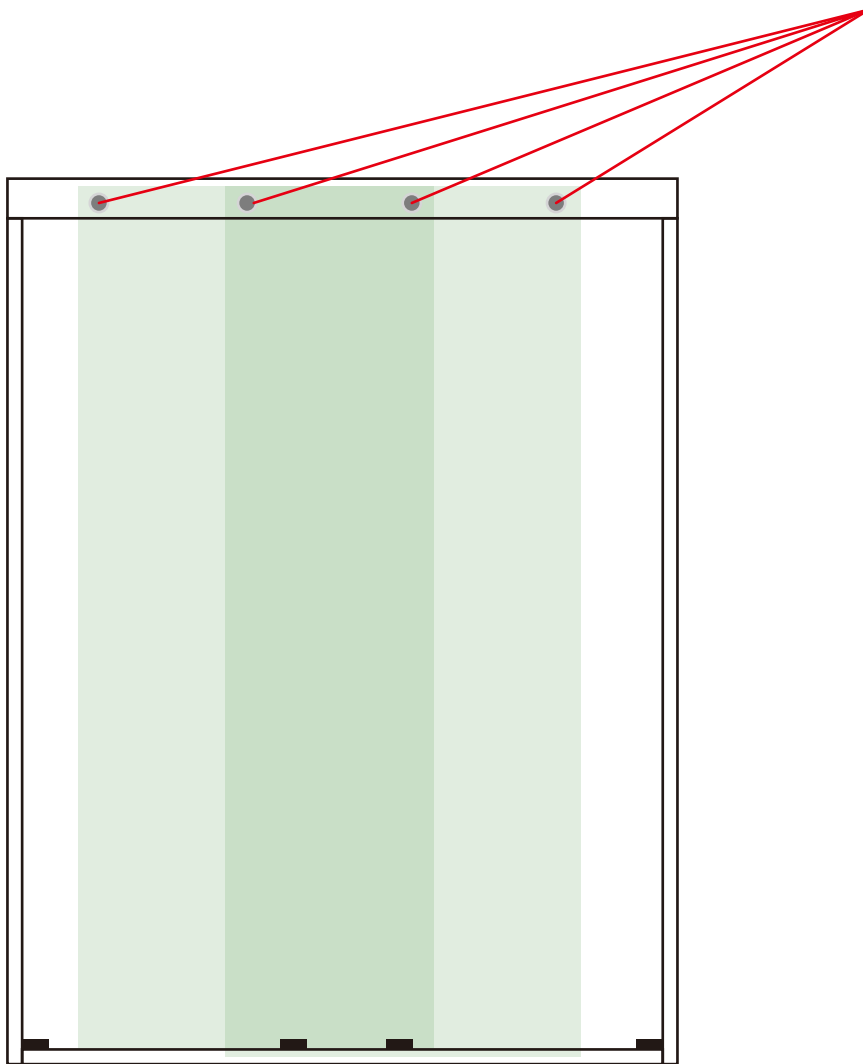
## Step 12

Install both the inside and outside Tower Bars using all provided gaskets as shown. Cover the bolt with the decorative caps.



## Step 13

Make sure if the glass doors are level, if not, please rotate the wheels, adjust the glass doors to the same height, fix the anti-jump hooks onto the wheels.



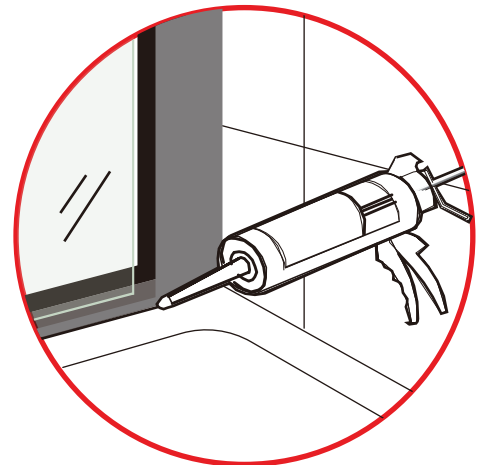
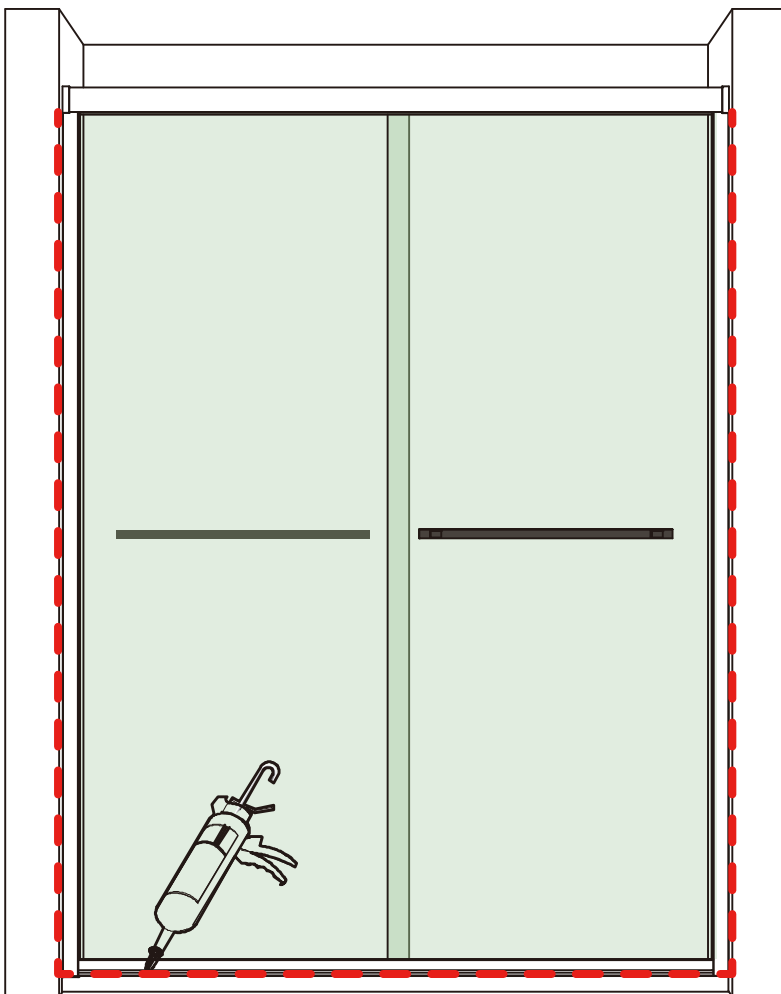
Rotate left and right to adjust the glass height



## Step 14

Apply good quality mildew-resistant silicone to the entire exterior and interior perimeter glass panel where meets the wall and along the threshold.

Allow 24 hours for the silicone to fully cure before using the shower.



Allow 24 hours for the silicone to fully cure before using the shower.

***GETPRO***<sup>®</sup>

Questions, problems, missing parts? Before returning to the store,  
contact GETPRO Customer Service

[service@getprohome.com](mailto:service@getprohome.com)

Retain this manual for future use.

***GETPRO***<sup>®</sup> is registered trademarks of GETPRO E-COMMERCE INC.