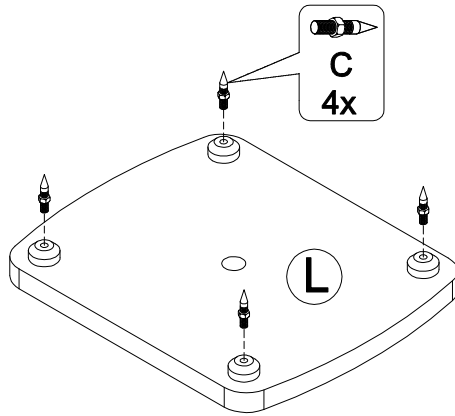


Speaker Stand

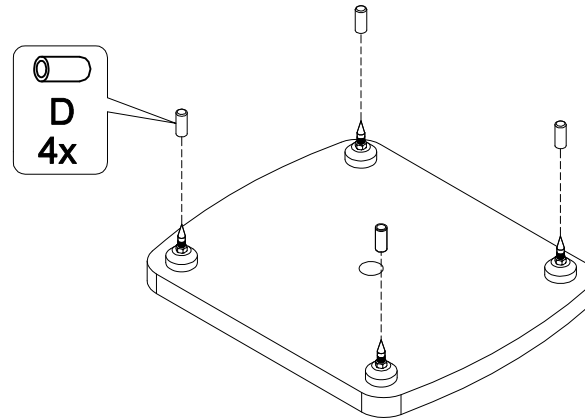
STEP 1

- * Install the spike feet (Part C) and test the level of all 4 screws on a flat surface.
- * Fasten all the screws to lock the position.



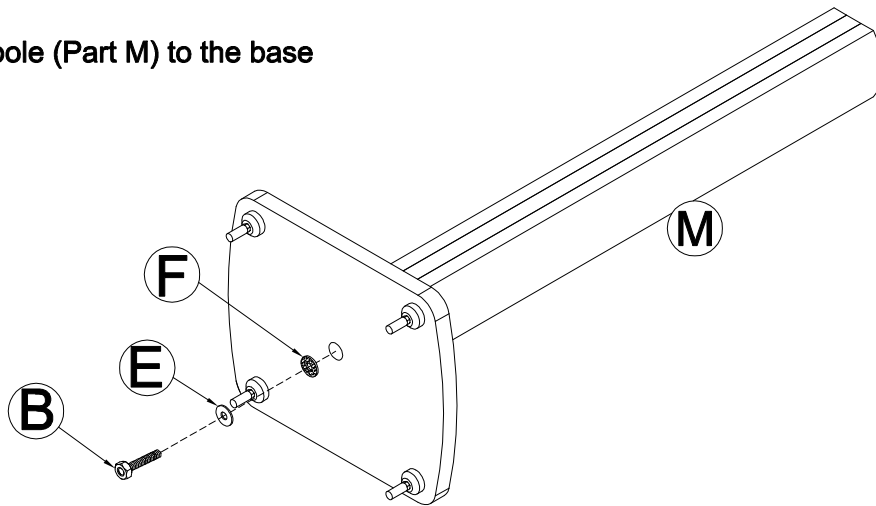
STEP 2 (optional)


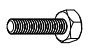

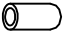


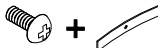






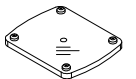
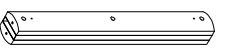
- * Install the rubber caps for the spike feet if it's intended to use on hardwood floor.



STEP 3

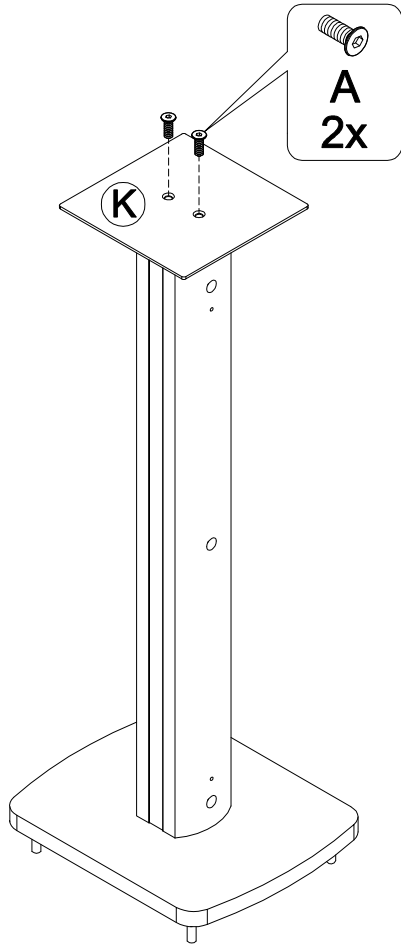
- * Install the main pole (Part M) to the base as shown.



NO.	DESCRIPTION	Q'TY
A	M6 	2 x 2
B	M10 	1 x 2
C	M6 	4 x 2
D		4 x 2
E		1 x 2
F		1 x 2
G	 + 	2 x 2 set
H		4 x 2
I	M10  M17 	1+1
J	M4 	1
K		1 x 2
L		1 x 2
M		1 x 2

STEP 4

* Install the top plate (Part # k).



STEP 5

* Install the Velcro (Part G) for wire management.

* Attach the soft pad (Part H) on the top plate.

