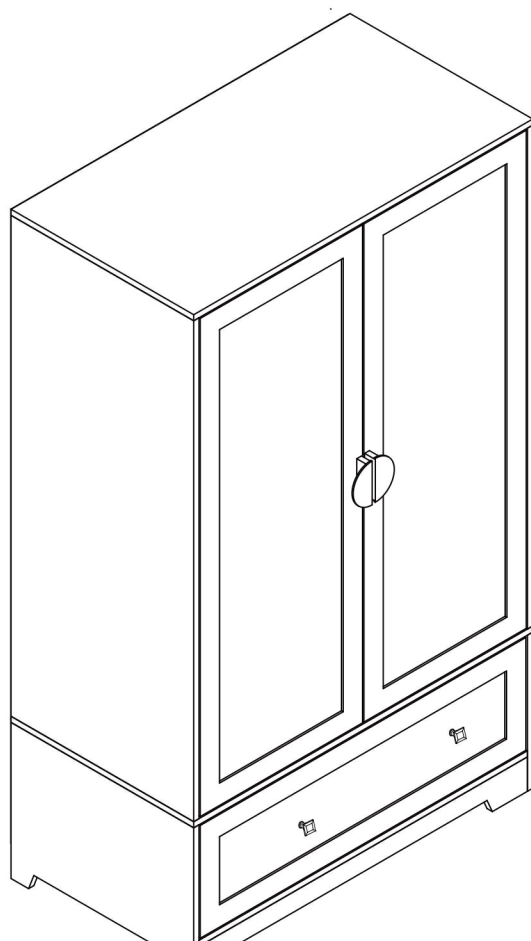


WARDROBE ARMOIRE

ASSEMBLY INSTRUCTION



CONTENT

1. Return & Warranty.....	1
2. Before Starting	2
3. Assembly Tips.....	3
4. Identify Parts	4
5. Accessory List.....	5
6. Assembly Steps	6
7. Guide to Hinge Adjustment	29
8. FAQs	30
9. Supplementary Instruction for Safe Use	31

RETURN & WARRANTY

Thank you for choosing our product!

We hope that you are completely satisfied with your purchase, and enjoy it for years to come.

Your satisfaction is our highest pursuit.

Return policy

believes you will absolutely love your wardrobe armoire, but if for some reason you want to return the product, please contact us directly before you decide to return your product to the retailer. Our Customer Service organization can answer most concerns and can assist you with any questions you may have about your new product.

The item must be returned in good condition, in original box, with all original proof of purchase, parts and accessories, within the time frame specified by the retailer it was purchased from.

Warranty

warrants this product to be free from defects in material and workmanship agrees to remedy any such defect. This warranty covers one year from the date of original purchase. This is solely limited to be repair or replacement of defective parts and no assembly labor is included.

This warranty does not apply to any product which has been improperly assembled, subjected to misuse or abuse or which has been altered or repaired in any way.

Components repaired or replaced warranted through the remainder of the original warranty period only. The defective components will be repaired or replaced without charge, subject to the terms and conditions described above.

For help with assembly, identifying parts, product information or to order parts, please contact us freely.

BEFORE STARTING

Before Using Product



- Read each step carefully before starting. It is very important that each step is performed in the correct order. If these steps are not followed in sequence, assembly difficulties will occur.



- Make sure all parts are included. Most board parts are labeled or stamped on the raw edge.

- Prepare a flat and Philips screwdriver (not included)
A Power Screwdriver is recommended.



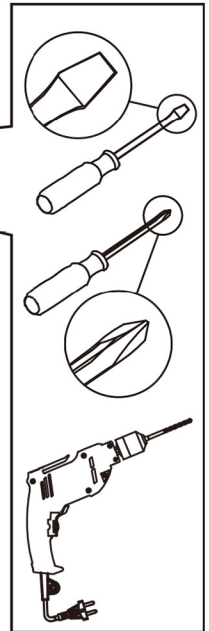
- Recommended # of people needed for assembly: 2
Estimated assembly time is 3-4H.



- Work in a spacious area and near where the unit will be used, preferably on a carpet, or use a piece of the cardboard packaging to protect your floor and product.



- For a smooth assembly process, we suggest you keep a lite tightness for all the screws during assembly. After the whole product is assembled, firmly tighten all the screws.



WARNING :

-Do not allow children to climb on unit

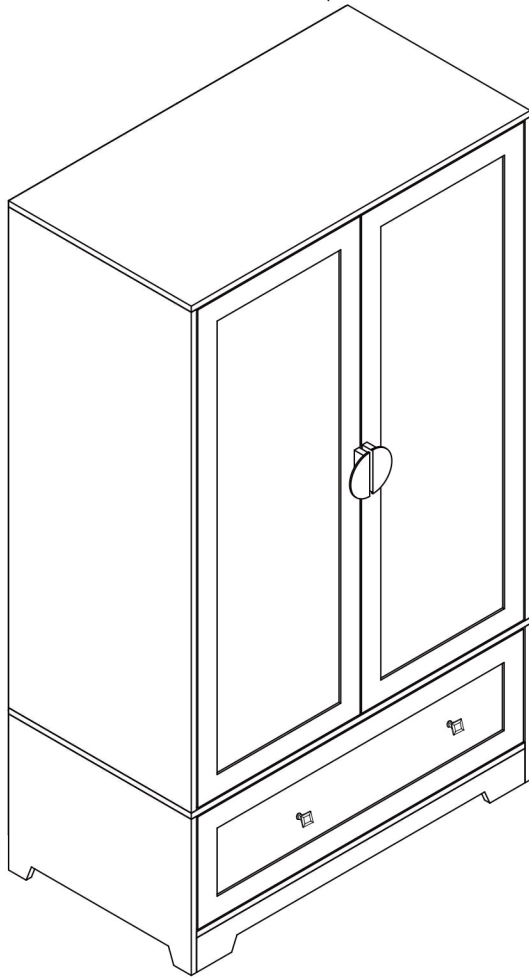
-Serious or fatal crushing injuries can occur from furniture tip-over. To prevent this furniture from tipping over, it must be permanently fixed to the wall. Fixing devices for the wall are not included since different wall materials require different types of fixing devices. Use fixing devices suitable for the walls in your home. For advice on suitable fixing systems, contact your local specialized dealer

-Avoid sharp objects or corrosive chemicals to prevent damage to the product

-During assembly, keep parts and packaging materials away from children and pets as there could be potential injury and choking hazards

ASSEMBLY TIPS

Applicable Model



OVERALL SIZE:

38.0"W x 20.5"D x 65.0"H

96.5cm x 52cm x 165cm(LxWxH)

FEATURES:

2 Doors

1 Spacious Drawer

2 Adjustable Shelves

2 Removable Hanging Rods

LOAD-CAPACITY:

Hanging Rod: 11lbs(5kg)

Shelf: 22lbs(10kg)

Drawer: 11lbs(5kg)



Estimated Time for Assembly

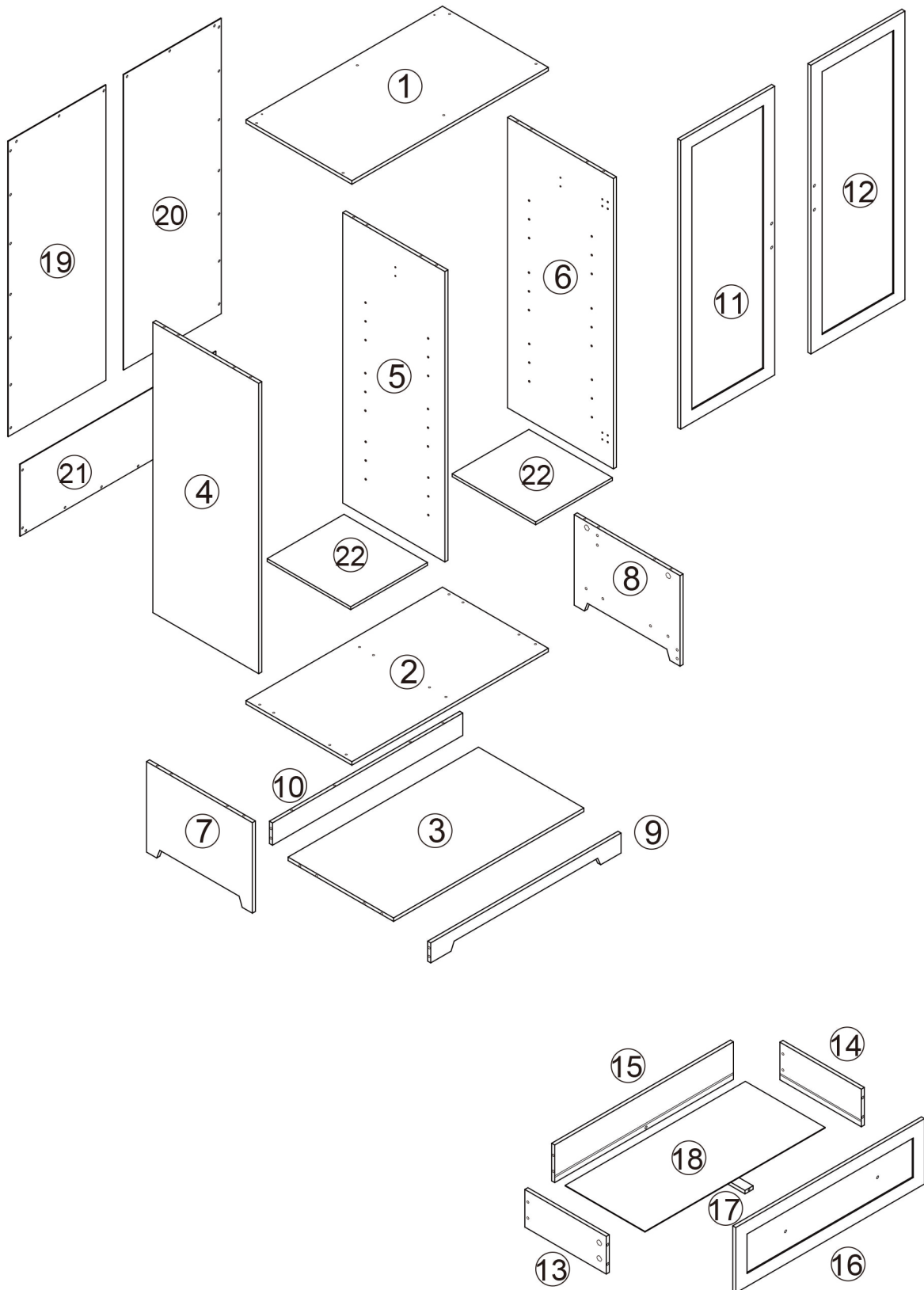
180-240mins

Caution:

1. This product is designed for home use and not intended for commercial use.
2. This product contains small components. Please ensure that they are kept away from small children.
3. Be careful when using power tools to assemble your furniture. Power tools may strip or damage the parts.

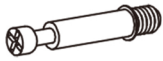
IDENTIFY PARTS

Ship in 2 boxes



ACCESSORY LIST

A



Cam Bolt x19+1

B



Cam Lock x19+1

C



Ø6x30mm

Wood Dowel x29+2

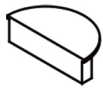
D



M4x40mm

Screw x14+1

E



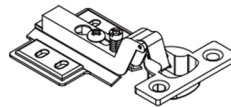
Handle x2

F



Drawer Slide x2

G



Hinge x4

H



M3.5x12mm

Screw x44+2

I



Joining Bracket x13+1

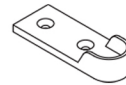
J



M4x35mm

Screw x5

K



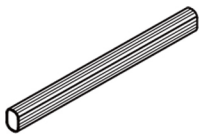
Hanging Rod End Cap x4

L



Shelf Support Peg x8

M



Hanging Rod x2

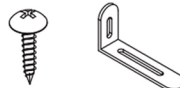
N



M3x14mm

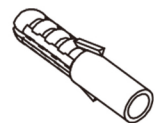
Screw x43+2

O



Wall Mounted Kit x2

P



Expansion Screw x2

Q



Thumb Tack x6

R



M4x18mm

Screw x4

S



M4x10mm

Screw x2

T



Handle x2

ASSEMBLY STEPS

Hi dear! After the prep work, I believe you are looking forward to starting assembly. Please remember to read through the manual first and take your time!

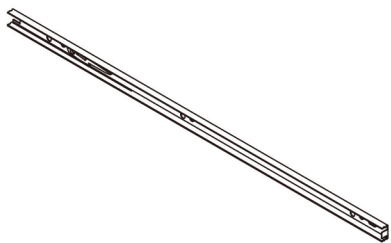
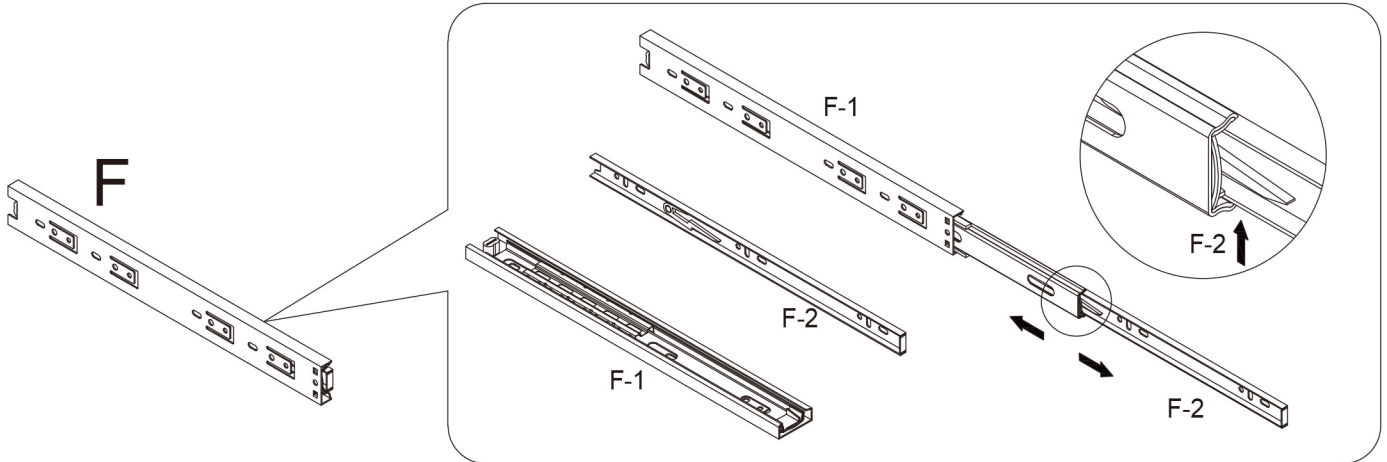
F



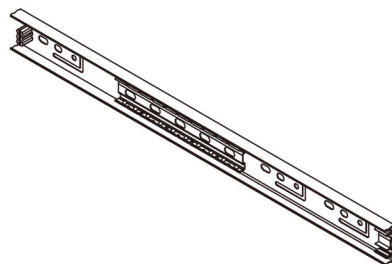
Drawer Slide x2

STEP 1

Press the detach button down to detach the Drawer Slide(F) into 2 parts:
F1 F2



F-2 x2



F-1 x2

ASSEMBLY STEPS

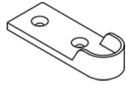
H



M3.5x12mm

Screw x4

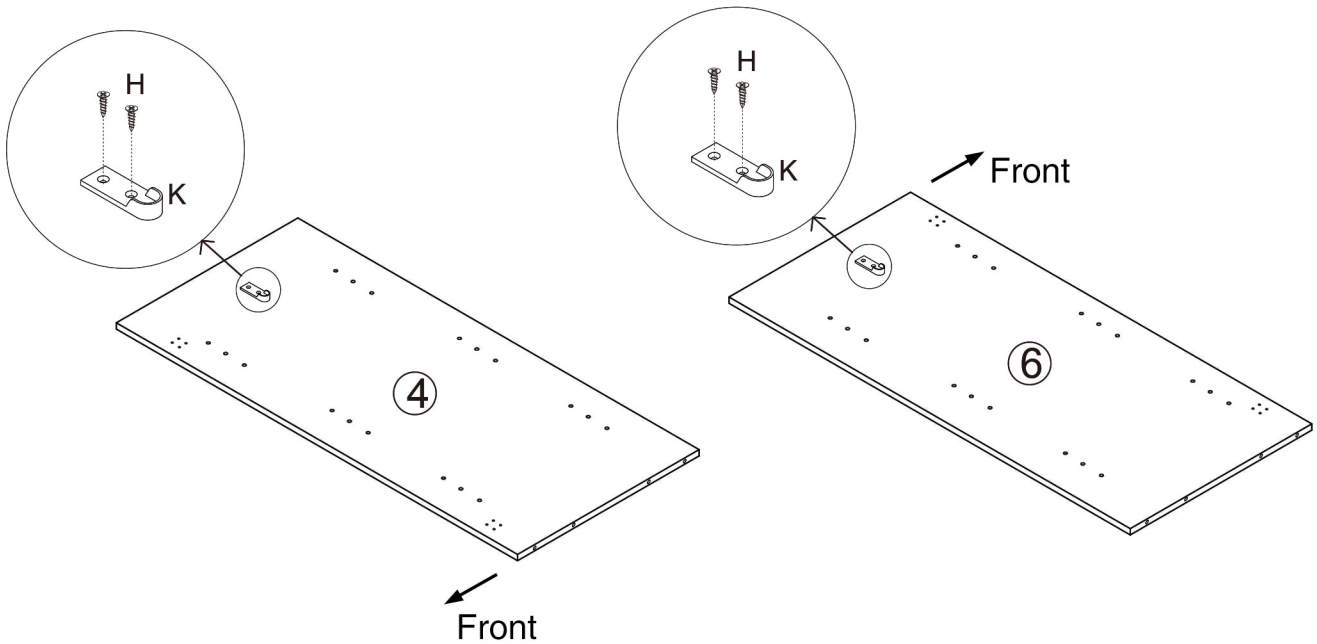
K



Hanging Rod End Cap x2

STEP 2

Fix Hanging Rod End Cap(K) to Panel #4 #6 with Screw(H)



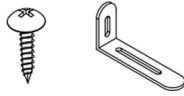
ASSEMBLY STEPS

A



Cam Bolt x6

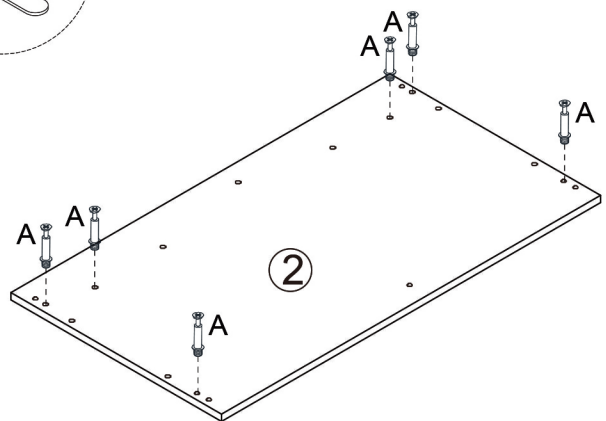
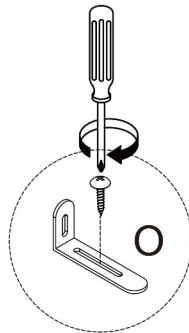
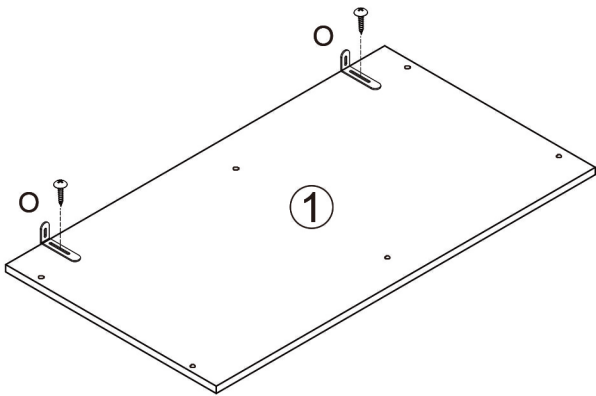
O



Wall Mounted Kit x2

STEP 3

Fix Wall Mounted Kit to Panel #1
Screw Cam Bolt(A) to Panel #2



ASSEMBLY STEPS

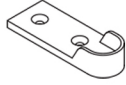
H



M3.5x12mm

Screw x4

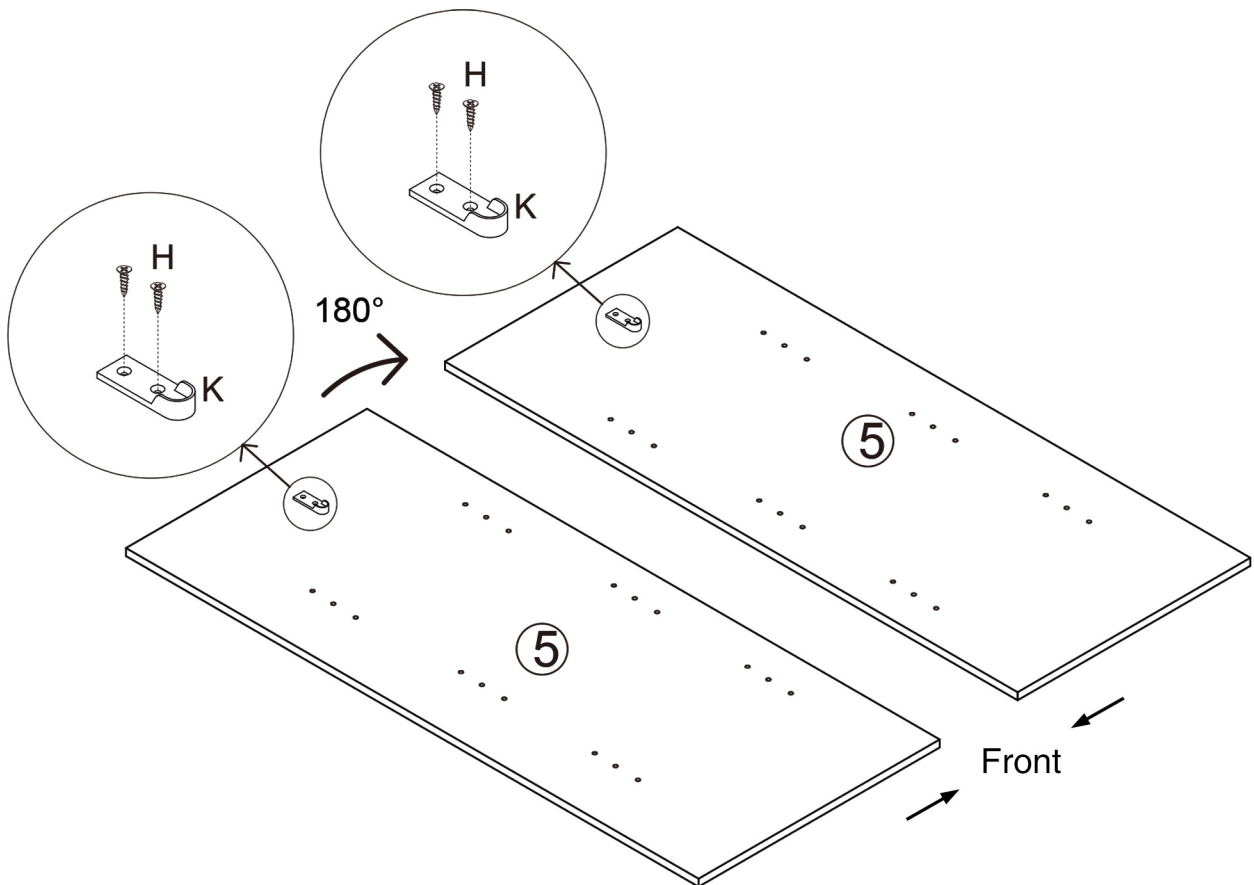
K



Hanging Rod End Cap x2

STEP 4

Fix Hanging Rod End Cap(K) to both sides of Panel #5 with Screw(H)



ASSEMBLY STEPS

C



Ø6x30mm

Screw x6

D

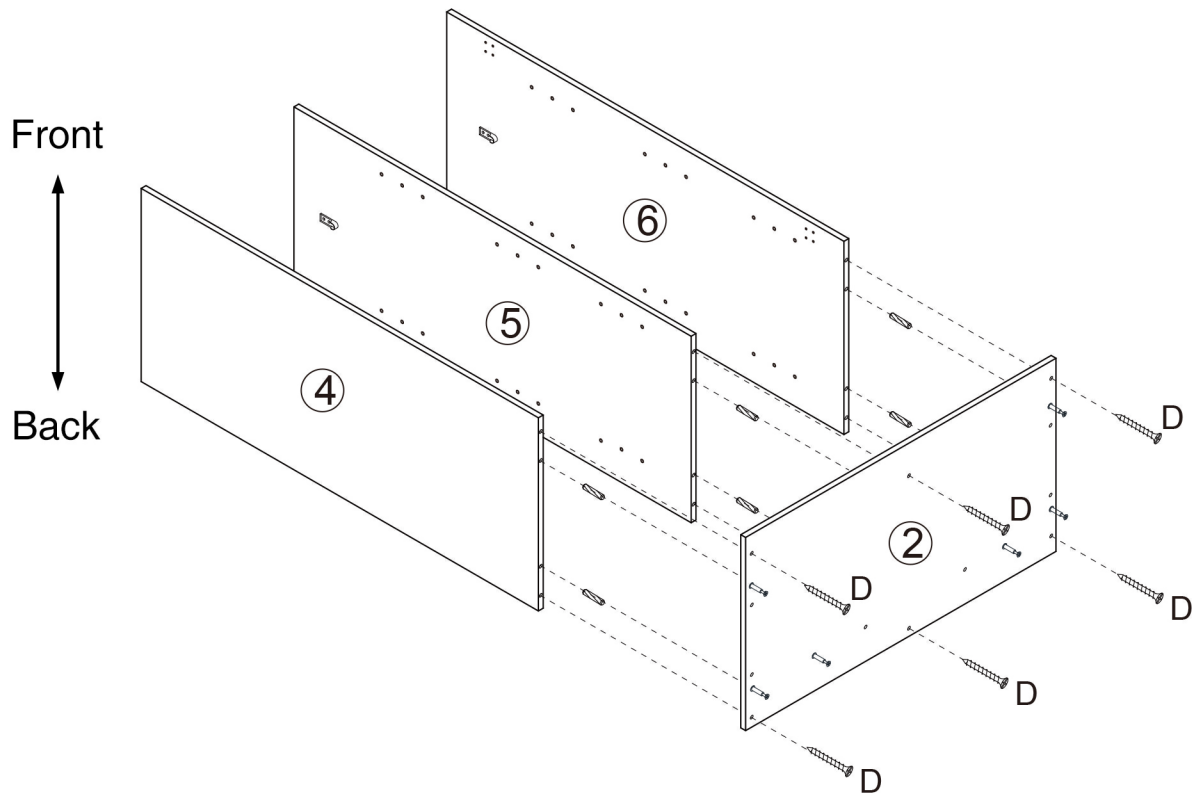


M4x40mm

Screw x6

STEP 5

Insert Wood Dowel(C) into the bottom of Panel #4 #5 #6 first and then connect Panel #2 to them with Screw(D)



ASSEMBLY STEPS

C



Ø6x30mm

Screw x6

D

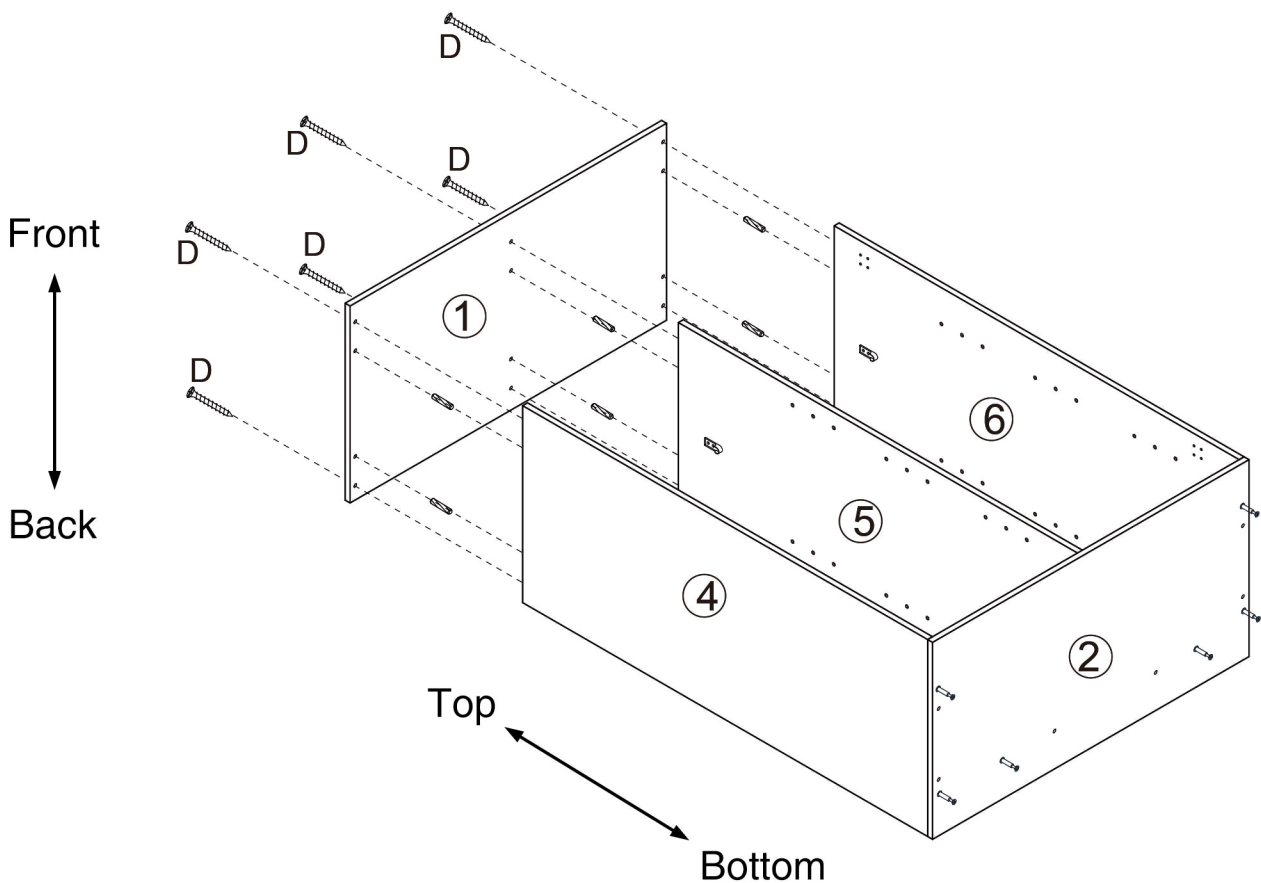


M4x40mm

Screw x6

STEP 6

Insert Wood Dowel(C) into the top of Panel #4 #5 #6 first and then connect Panel #1 to them with Screw(D)



ASSEMBLY STEPS

H



M3.5x12mm

Screw x3

F-1

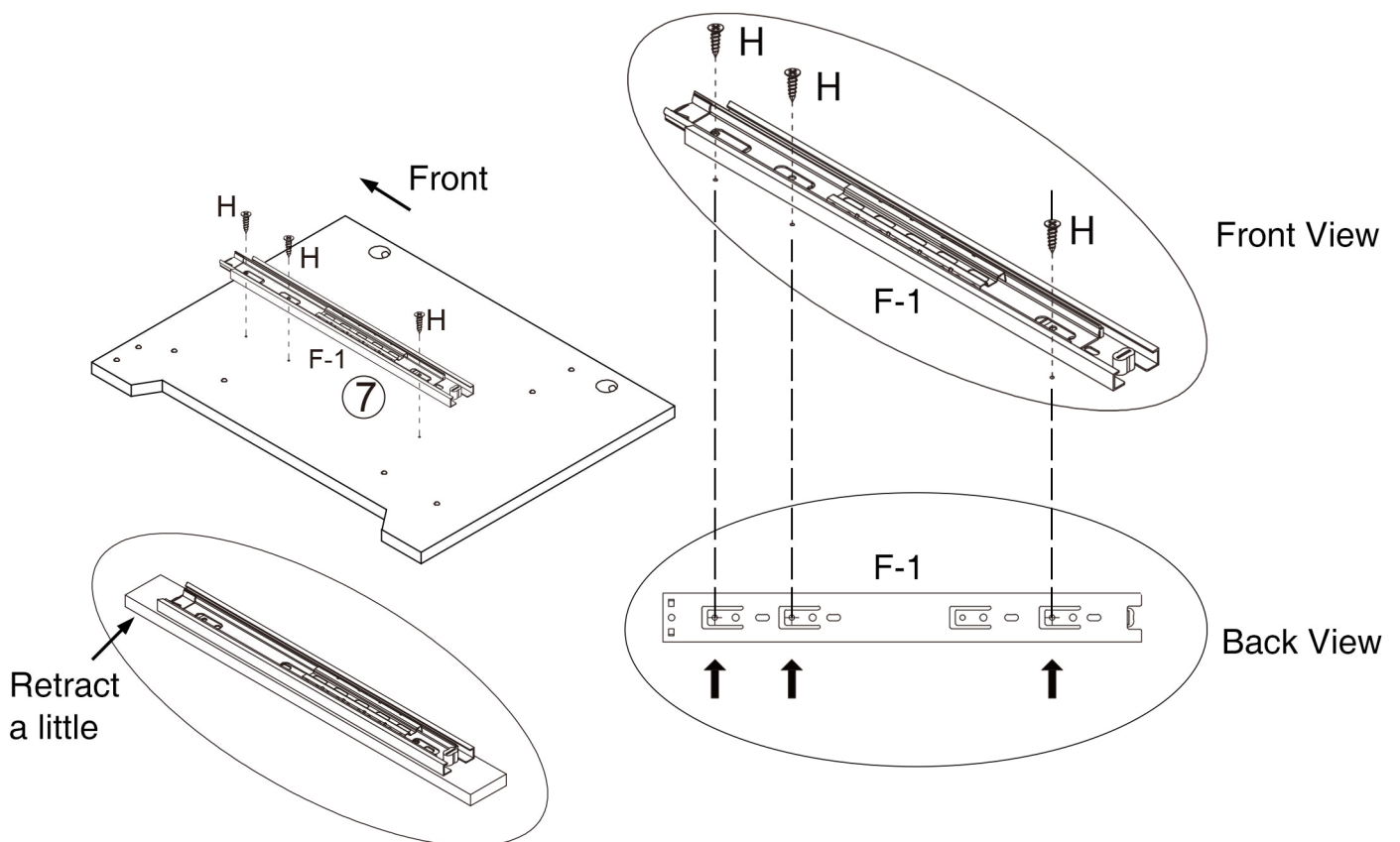


Drawer Slide x1

STEP 7

Fix Drawer Slide(F1) to Panel #7 with Screw(H)

Note! The pre-drilled holes on the panel for locating the slide rail are relatively small, look carefully. Please don't worry, they are there



ASSEMBLY STEPS

H



M3.5x12mm

Screw x3

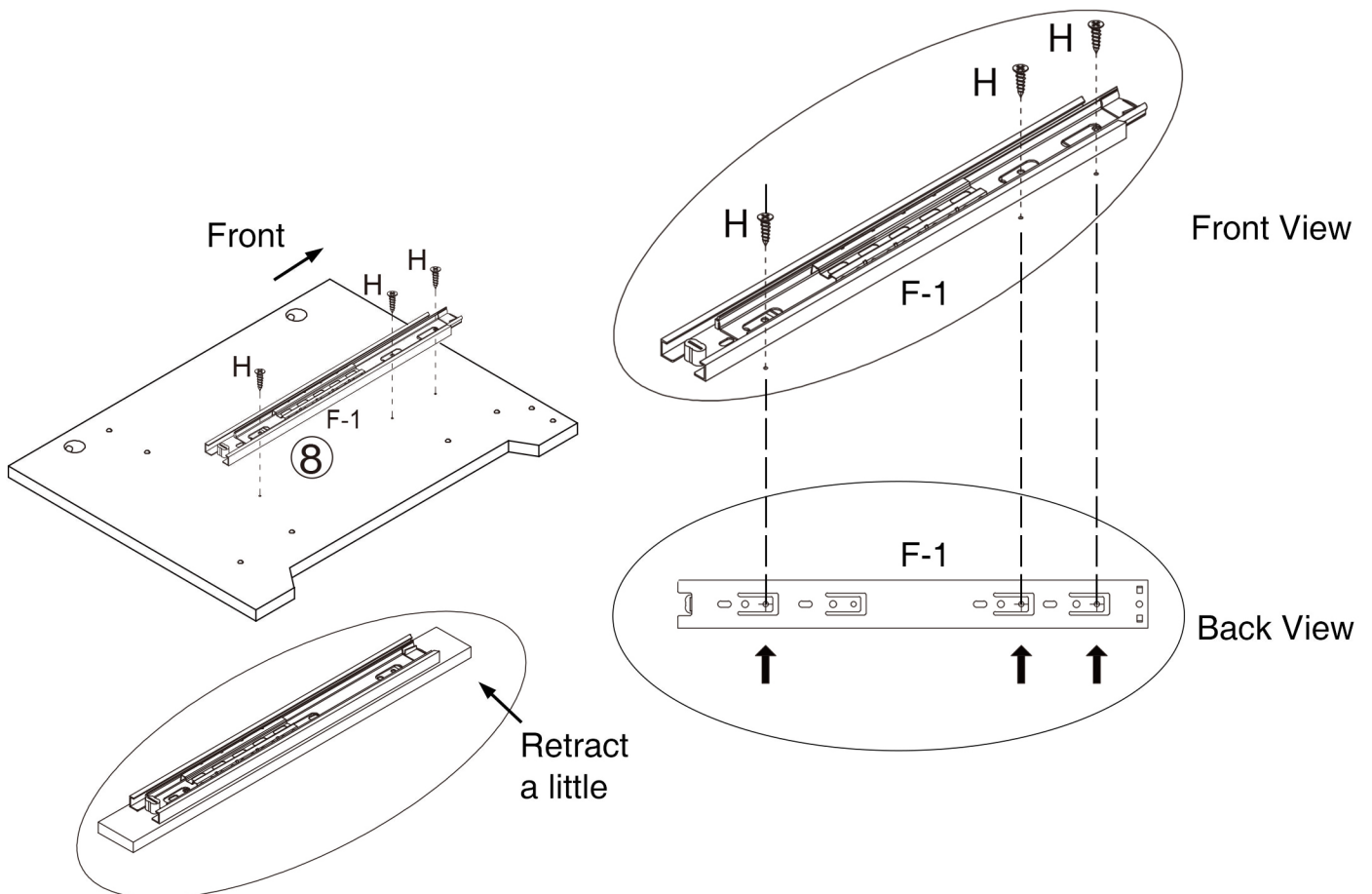
F-1



Drawer Slide x1

STEP 8

Fix Drawer Slide(F1) to Panel #8 with Screw(H) as the same way to Step 7



ASSEMBLY STEPS

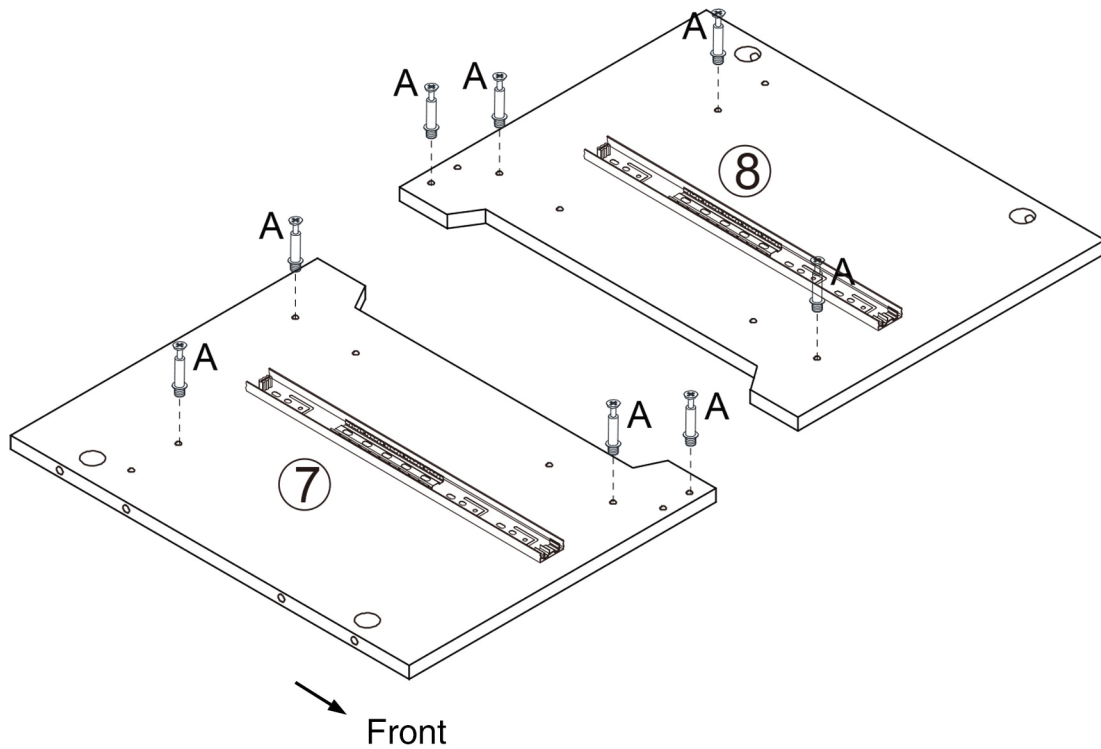
A



Cam Bolt x8

STEP 9

Screw Cam Bolt(A) to Panel #7 #8



ASSEMBLY STEPS

C

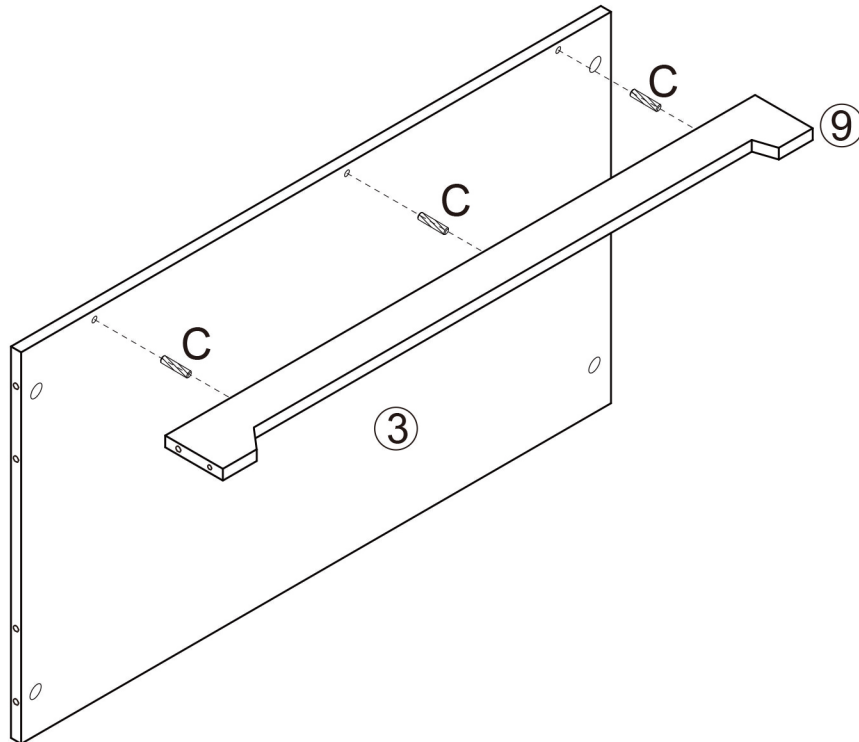


Ø6x30mm

Wood Dowel x3

STEP 10

Insert Wood Dowel(C) into Panel #3 and then connect Panel #9 to Panel #3



ASSEMBLY STEPS

B



Cam Lock x4

C

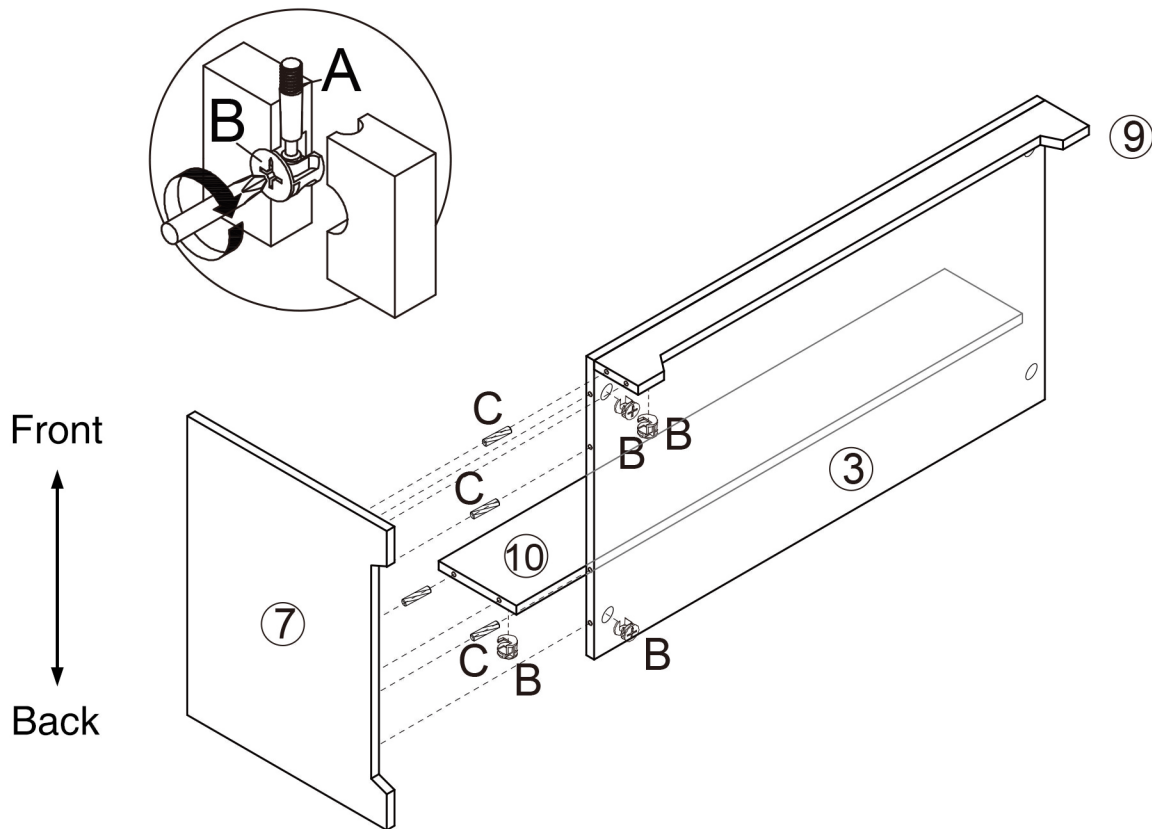


Ø6x30mm

Wood Dowel x4

STEP 11

Insert Wood Dowel(C) into Panel #3 #9 #10 first, and then connect Panel #7 to them with Cam Lock(B)



ASSEMBLY STEPS

B



Cam Lock x6

C

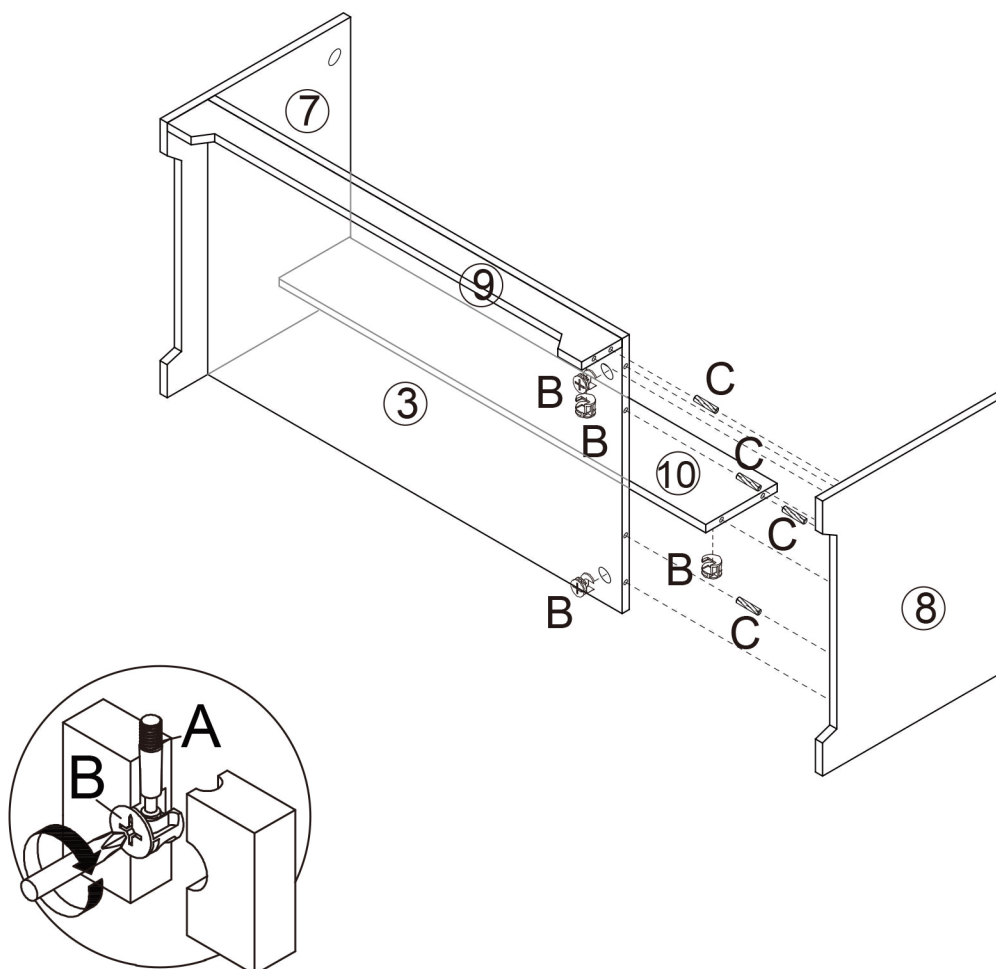


Ø6x30mm

Wood Dowel x8

STEP 12

Insert Wood Dowel(C) into the other end of Panel #3 #9 #10 first, and then connect Panel #8 to them with Cam Lock(B)



ASSEMBLY STEPS

B



Cam Lock x6

C

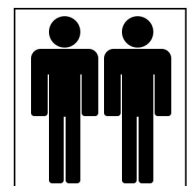
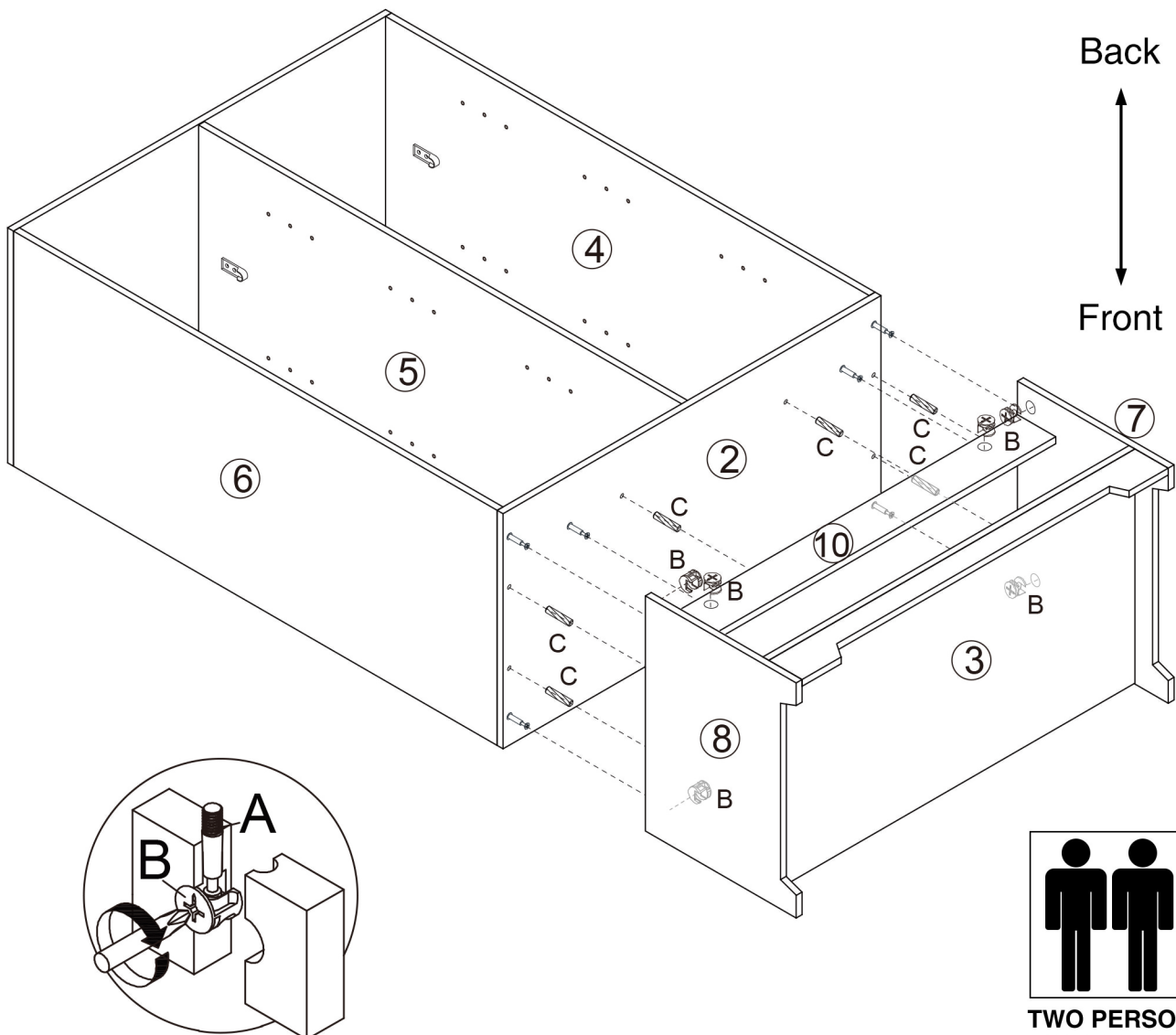


Ø6x30mm

Wood Dowel x8

STEP 13

Insert Wood Dowel(C) into Panel #2 first and then put the cabinet's frame and the base together and lock them with Cam Lock(B)



TWO PERSON
REQUIRED

ASSEMBLY STEPS

I



Joining Bracket x13

N



M3x14mm

Screw x43

Q



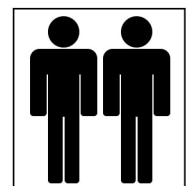
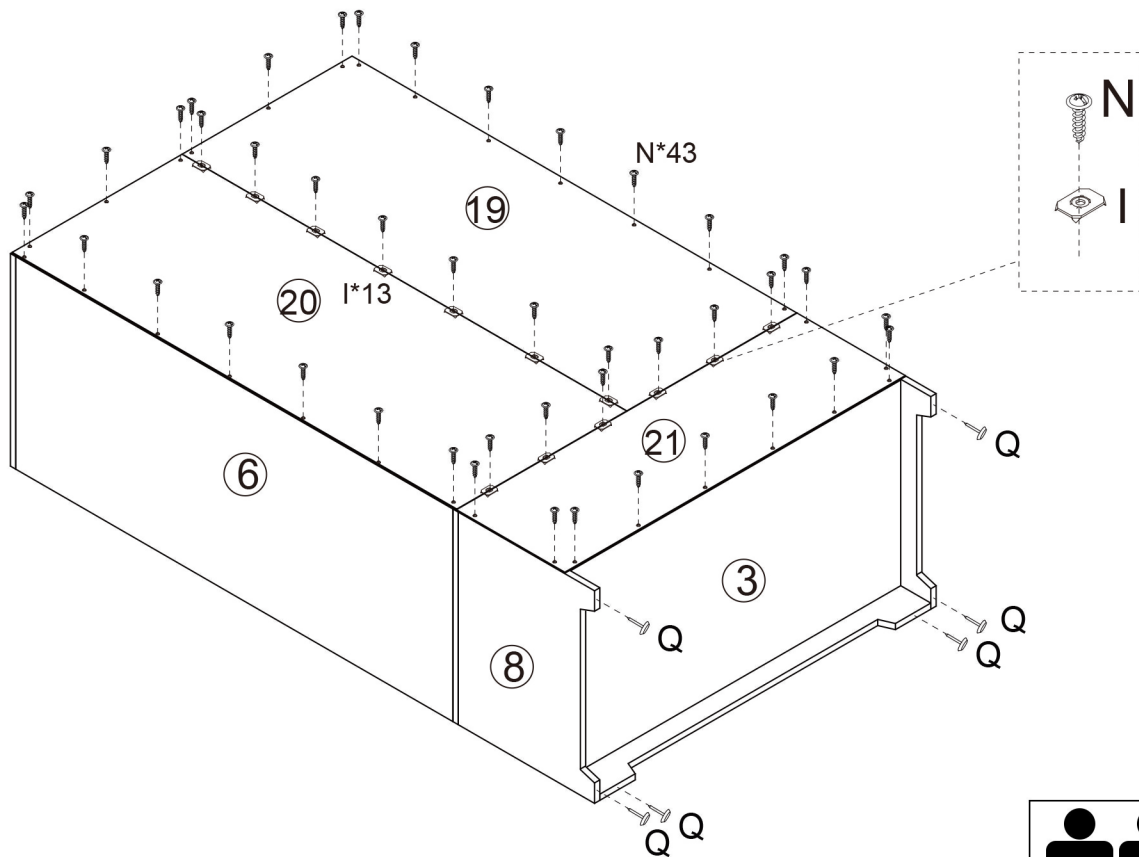
Thumb Tack x6

STEP 14

Connect Panel #19 #20 #21 to the back of cabinet with Screw(N) after aligning the four corners

Connect adjacent sides of #19 20 21 with Joining Bracket(I)

Fix Thumb Tack(Q) to the bottom of Panel #7 #8



TWO PERSON
REQUIRED

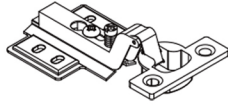
ASSEMBLY STEPS

E



Handle x2

G



Hinge x4

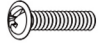
H



M3.5x12mm

Screw x8

R

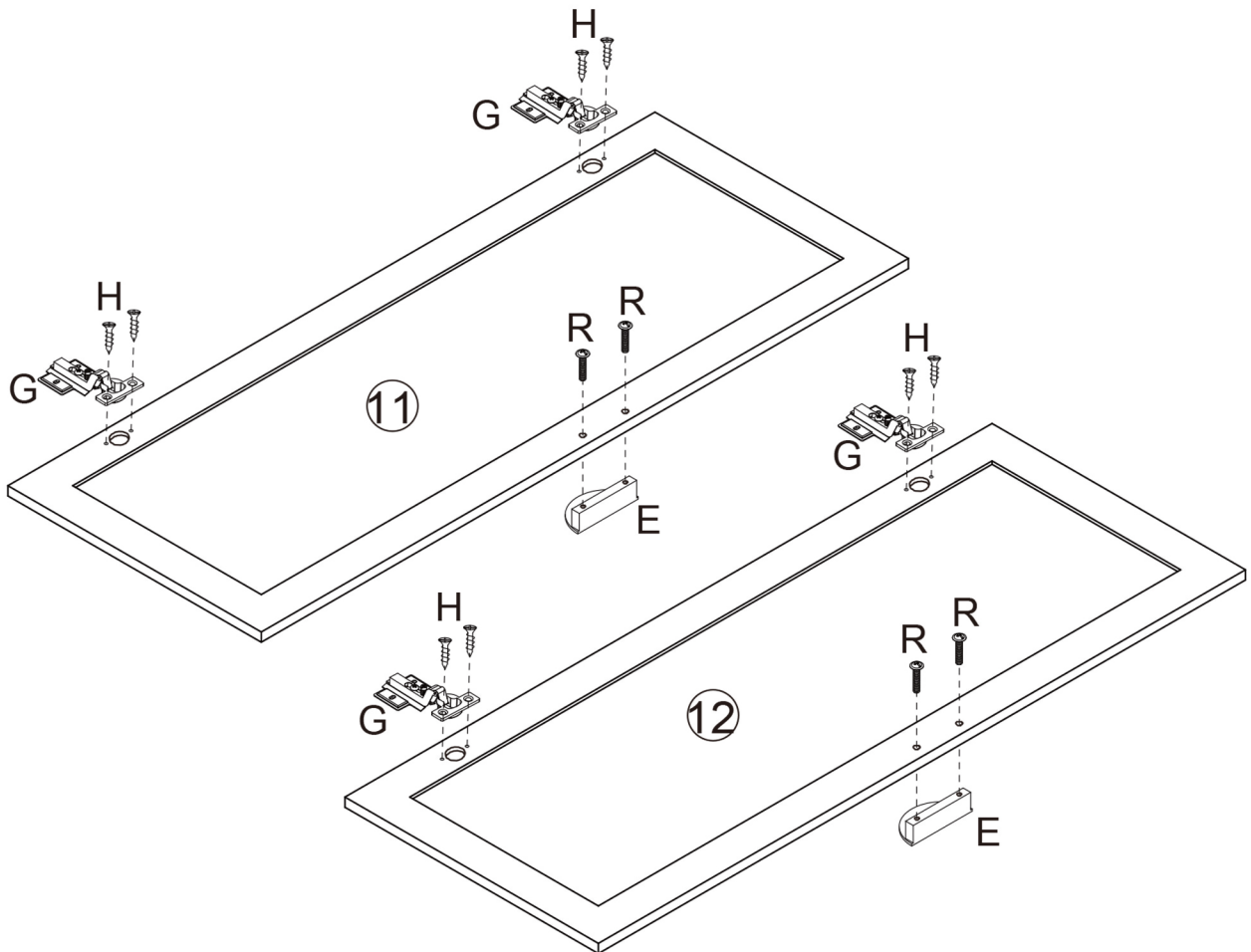


M4x18mm

Screw x4

STEP 15

Fix Hinge(G) Handle(E) to Door Panel #11 #12 with corresponding screws



ASSEMBLY STEPS

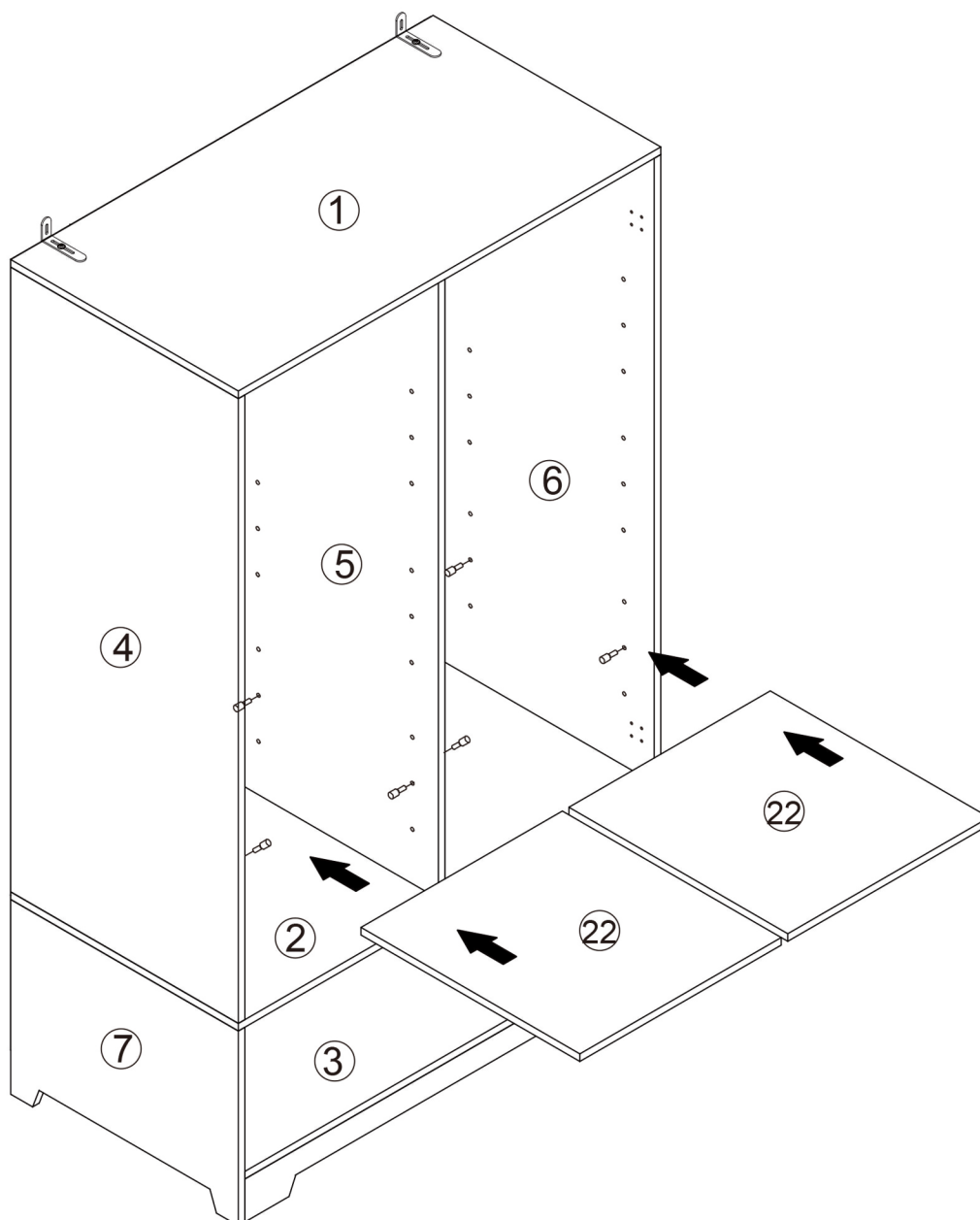
L



Shelf Support Peg x8

STEP 16

Insert Shelf Support Peg(L) into the holes of the inner sides of the cabinet and place the Shelves #22 as needed



ASSEMBLY STEPS

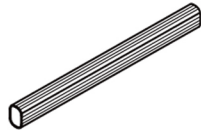
H



M3.5x12mm

Screw x8

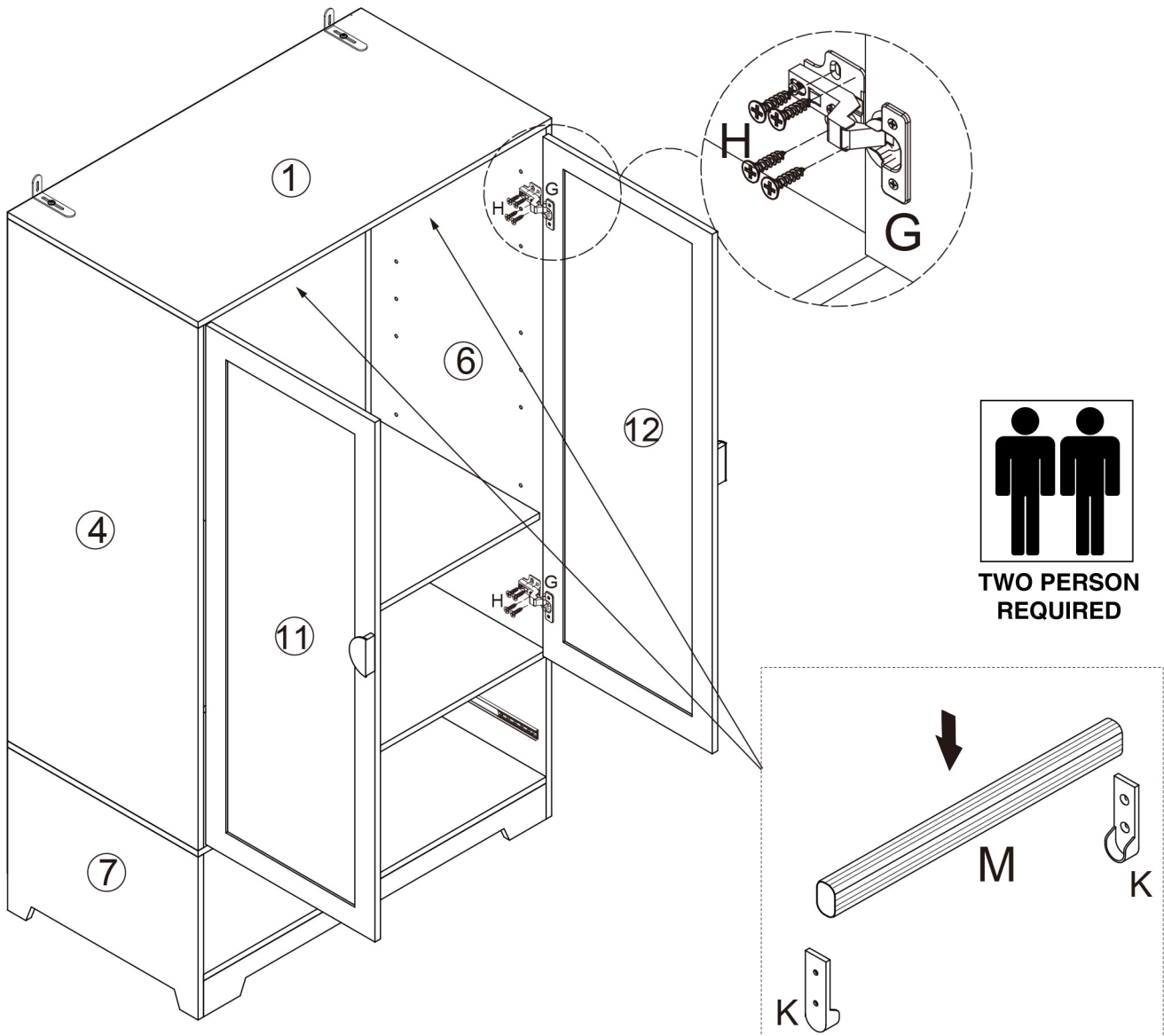
M



Hanging Rod x2

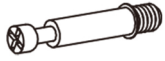
STEP 17

Attach Door Panel #11 12 to the cabinet by fixing the other end of Hinge(G)
Place Hanging Rod(M) on Hanging Rod End Cap(K)



ASSEMBLY STEPS

A



Cam Bolt x5

S



M4x10mm

Screw x2

T

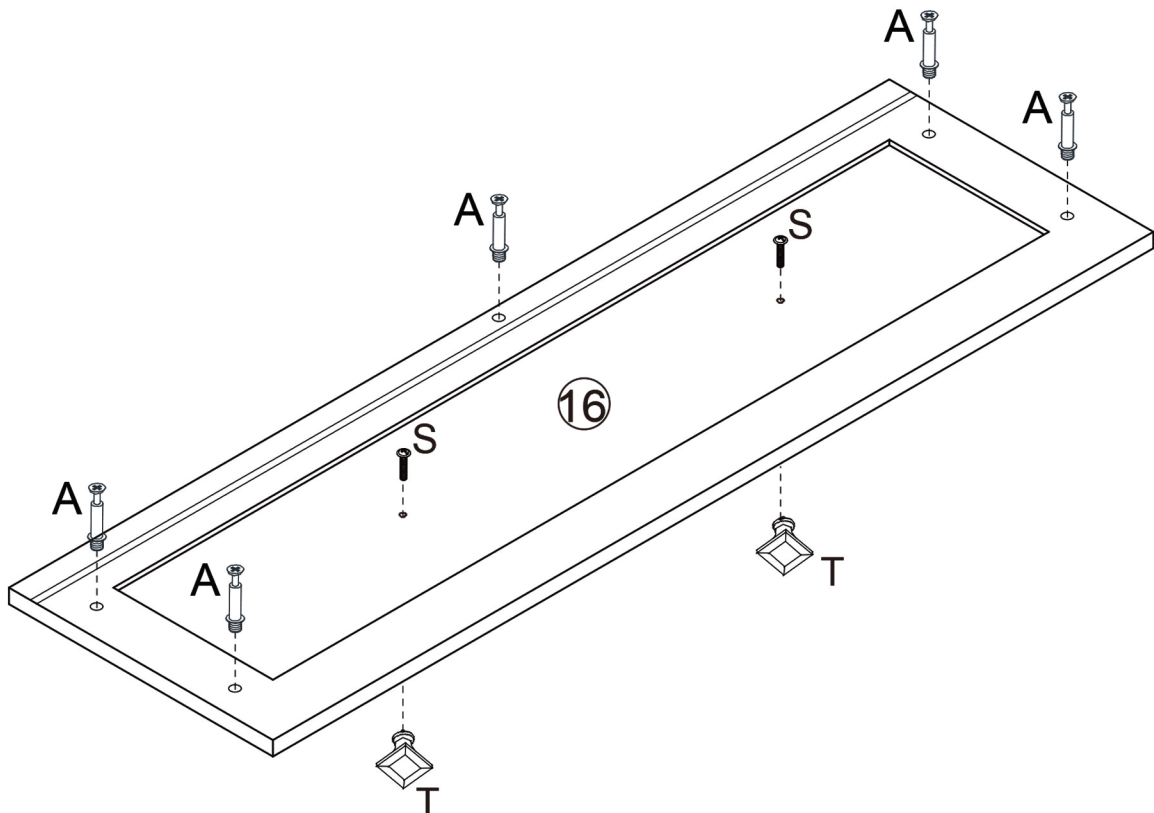


Handle x2

STEP 18

Time to assemble the drawer!

Screw Cam Bolt(A) to Panel #16 and fix Handle(T) to it with Screw(S)



ASSEMBLY STEPS

J

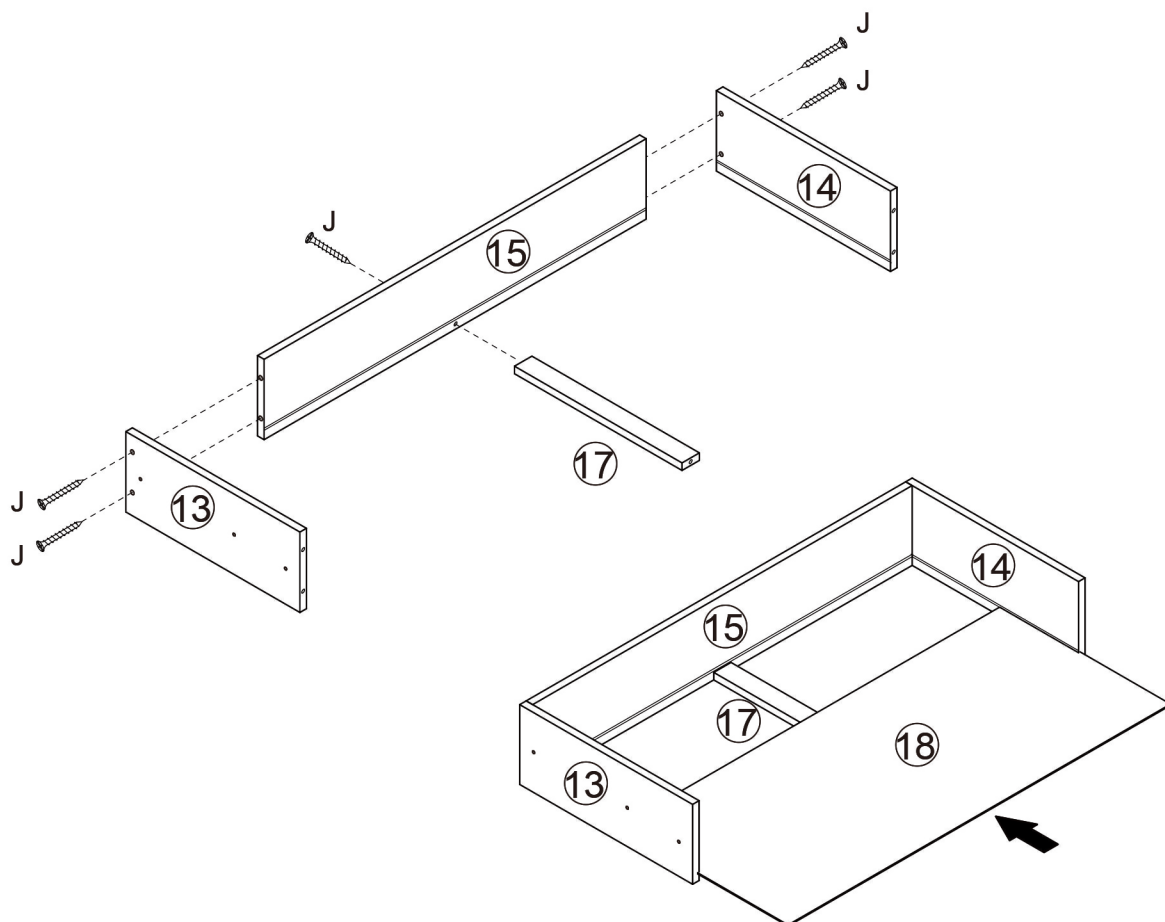


M4x35mm

Screw x5

STEP 19

Connect Panel #13 #14 #15 #17 together with Screw(J)
Insert Panel #18 along with the groove



ASSEMBLY STEPS

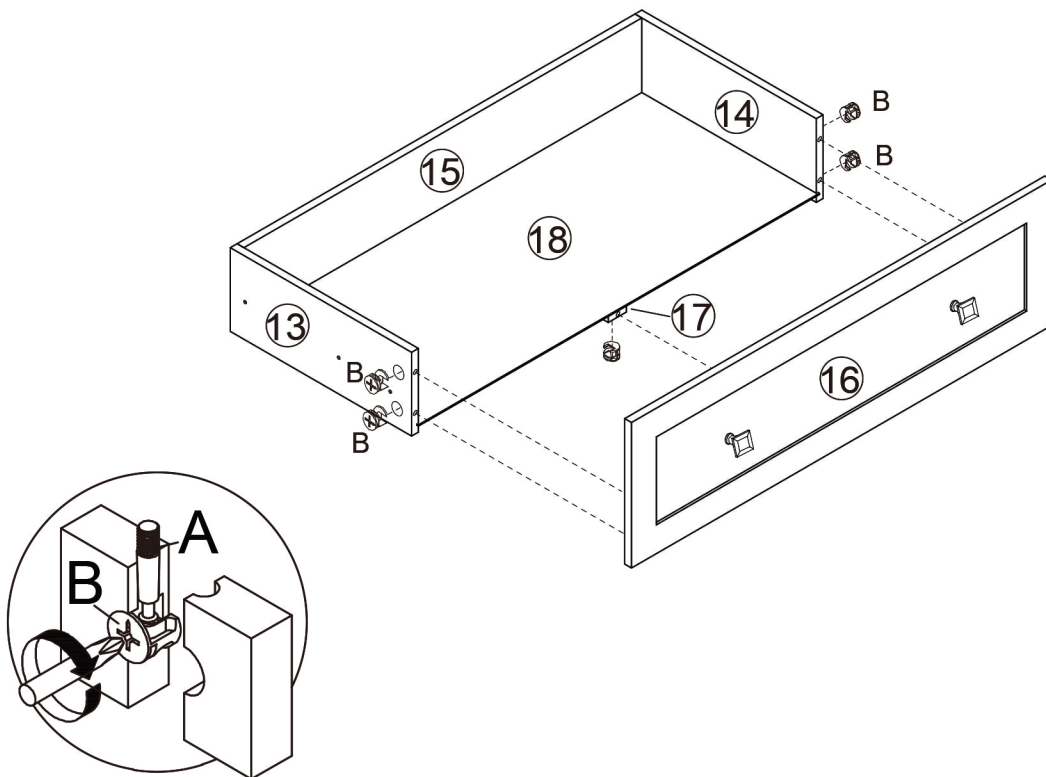
B



Cam Lock x5

STEP 20

Attach Panel #16 to the drawer body with Cam Lock(B)



ASSEMBLY STEPS

H



M3.5x12mm

Screw x6

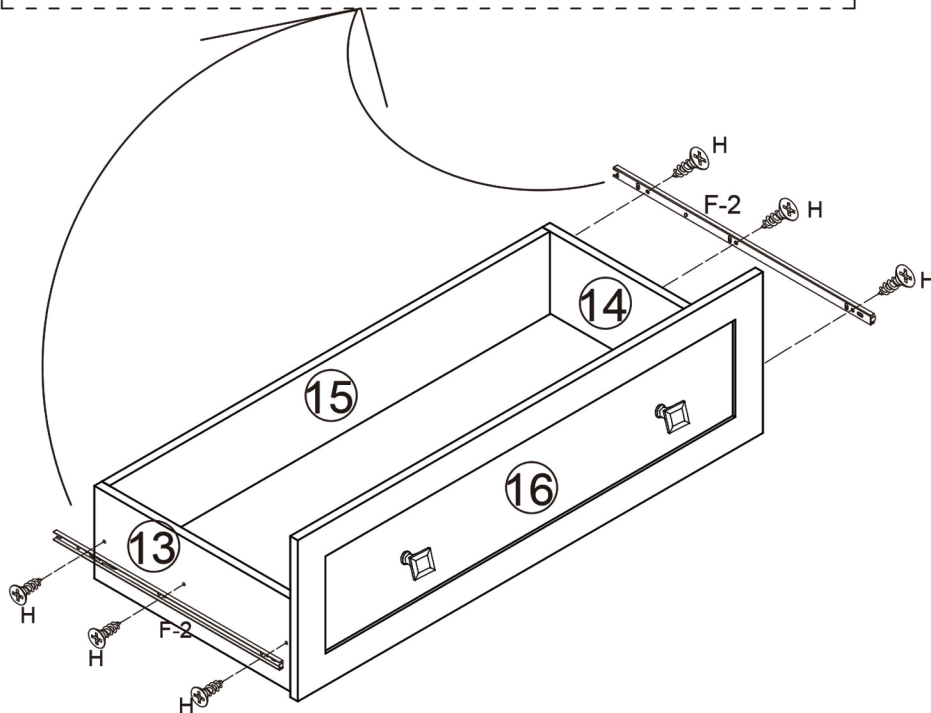
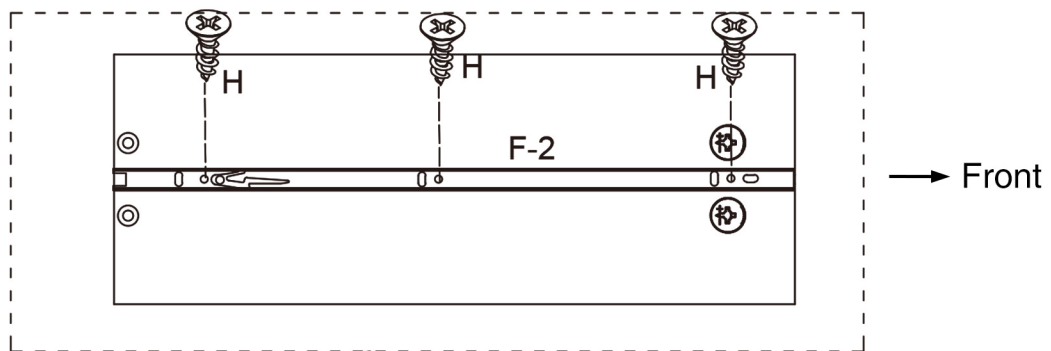
F-2



Drawer Slide x2

STEP 21

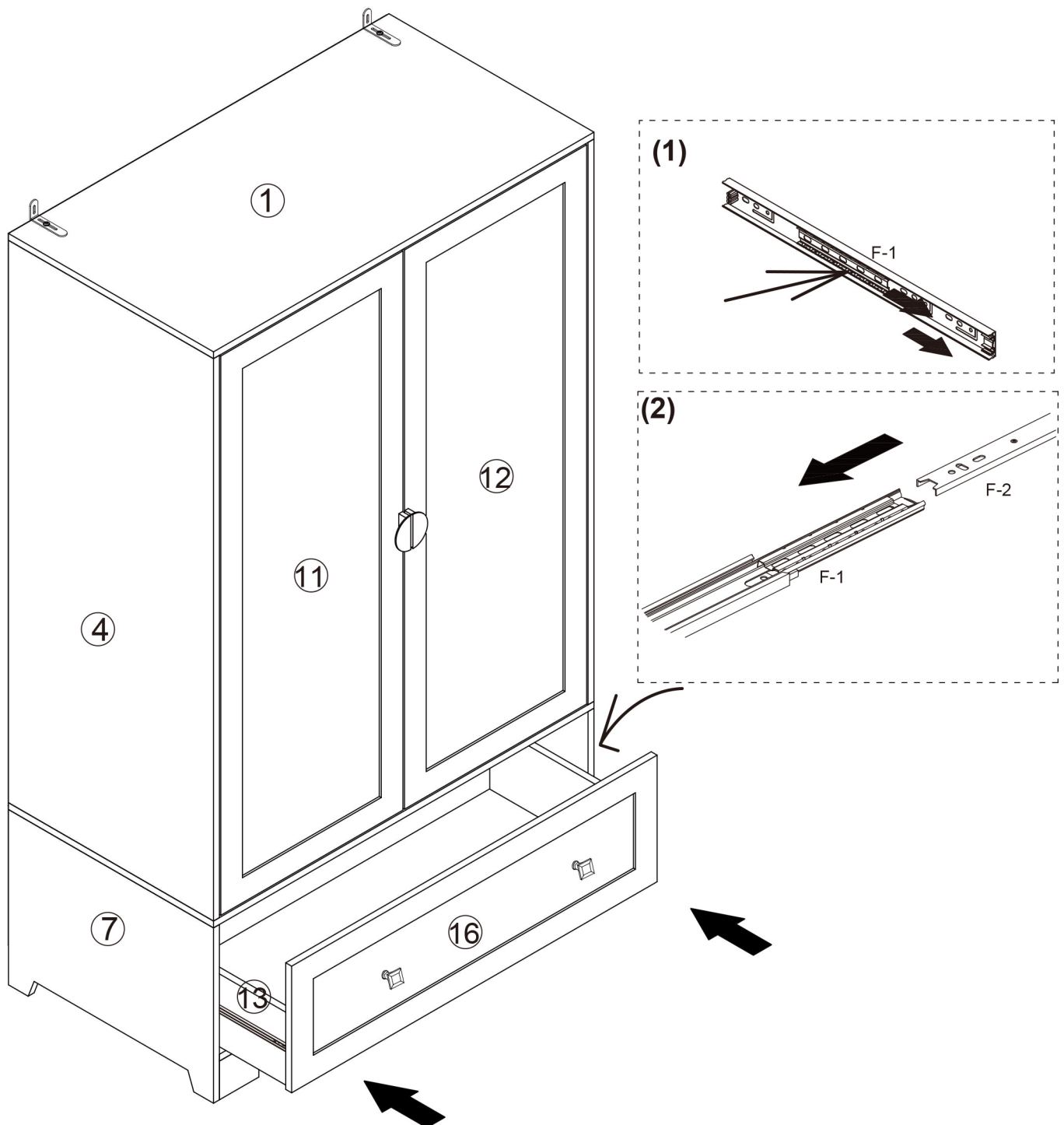
Attach Drawer Slide(F2) to both sides of drawer as shown



ASSEMBLY STEPS

STEP 22

Pull Drawer Slide(F1) out first, and the ball along with it to the front
Keep the drawer level and insert the drawer with the slides aligned
Note! Failure to level may result in damage to the slides



ASSEMBLY STEPS

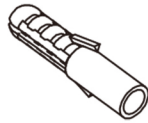
D



Ø4x40mm

Screw x2

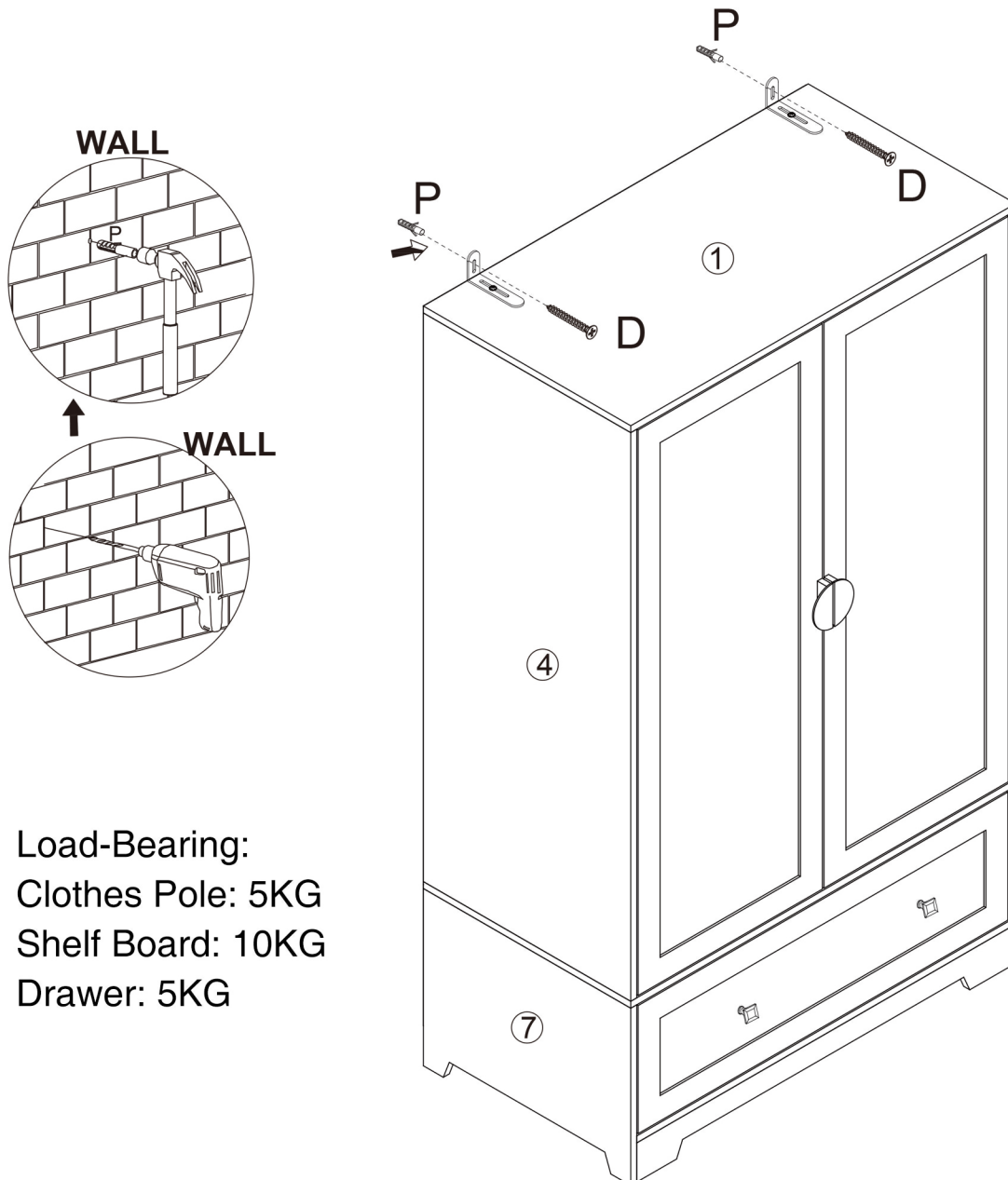
P



Expansion Screw x2

STEP 24

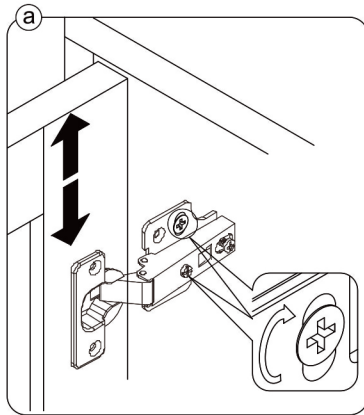
Drill holes in the wall, insert Expansion Screw(P), and fix the item to the wall with Screw(D) for safe use



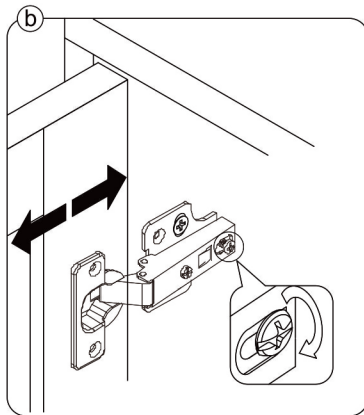
Load-Bearing:
Clothes Pole: 5KG
Shelf Board: 10KG
Drawer: 5KG

GUIDE TO HINGE ADJUSTMENT

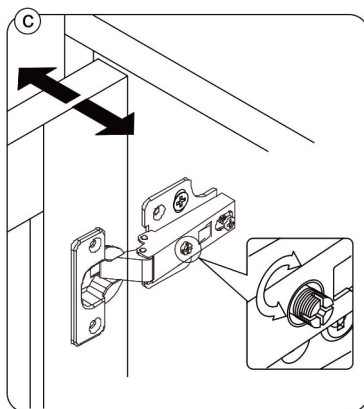
It may be necessary to adjust the hinges so that the doors align. Use the instructions below as a guide.



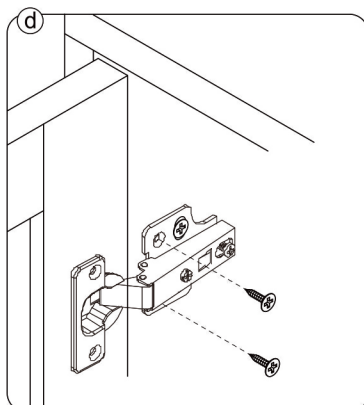
To adjust the door vertically loosen the screw as shown and move up and down as needed.



To adjust the gap from the door to the main frame turn the screw clockwise or anti-clockwise as needed.



To adjust the door laterally adjust the screw as shown by turning clockwise or anti-clockwise.



Please fix other screws.

1. What should I do when I received a defected item?

Please feel free to contact VINGLI customer service via the link where you purchased this item with your order ID, picture of defective part to us. We are eager to help you to make it right

2. Is it easy to put the screws to the panels?

Yes. As long as you follow the instruction and use the correct screws and put it in correct holes, it is easy to screw it into pre-drilled holes

3. Why is the drawer not aligned?

The problem lies in the assembly of the slides. Please follow the steps 1, 7, 20-21 on the instruction. Pay more attention to align the holes on the slides with the holes on the panel

4. What should I do when wardrobe armoire is wobbly ?

- a. Make sure each panel has been connected to each other properly, and all screws have been tightened after assembly
- b. Find out that wobbly part, and if it is the screw cannot tight, you can try to add on a washer to help
- c. If still not work, please feel free to contact our customer team with the wobbly part detail, and we will solve for you

Supplementary Instructions for Safe Use

English

WARNING



Children have died from furniture tipover. To reduce the risk of furniture tipover:

- ALWAYS install tipover restraint provided.
- NEVER put a TV on this product.
- NEVER allow children to stand, climb or hang on drawers, doors, or shelves.
- NEVER open more than one drawer at a time.
- Place heaviest items in the lowest drawers.
- Do not defeat or remove the drawer interlock system.

This is a permanent label.

Do not remove!

French

ATTENTION



Des enfants sont morts du basculement des meubles. Pour réduire le risque de basculement des meubles:

- TOUJOURS installer la retenue de basculement fournie.
- NE JAMAIS mettre de téléviseur sur ce produit.
- NE JAMAIS permettre aux enfants de se tenir debout, de grimper, ou de s'accrocher à des tiroirs, des portes ou des étagères.
- N'ouvrez JAMAIS plus d'un tiroir à la fois.
- Placez les objets les plus lourds dans les tiroirs les plus bas.
- Ne désactivez pas et ne retirez pas le système de verrouillage du tiroir.

Ceci est une étiquette permanente.

Ne pas enlever!

German

WARNUNG



Kinder sind an einem Möbelkipp gestorben. So verringern Sie das Risiko eines Umkippen von Möbeln:

- Installieren Sie **IMMER** die mitgelieferte Kipprückhaltevorrichtung.
- Stellen Sie **NIEMALS** einen Fernseher an dieses Produkt.
- Lassen Sie Kinder **NIEMALS** an Schubladen, Türen oder Regalen stehen klettern oder hängen.
- Öffnen Sie **NIEMALS** mehr als eine Schublade gleichzeitig.
- Legen Sie schwerste Gegenstände in die untersten Schubladen.
- Besiegen oder entfernen Sie das Schubladenverriegelungssystem nicht.

Dies ist ein dauerhaftes Etikett.

Nicht entfernen!