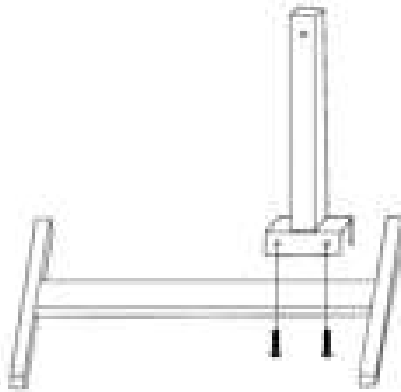
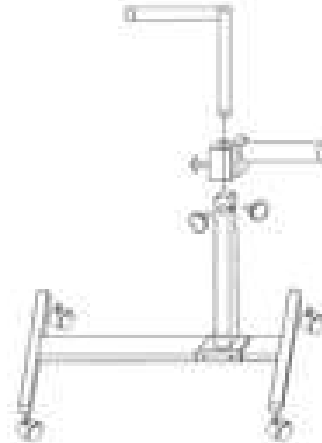


Laptop Desk Installation

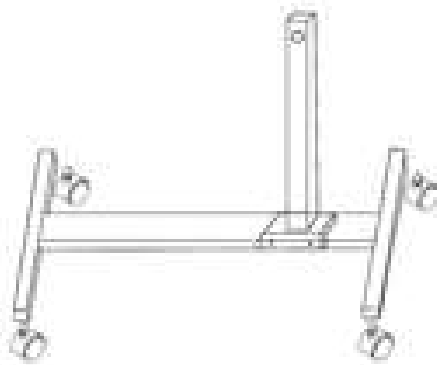
Step 1: Fix main stand on base.



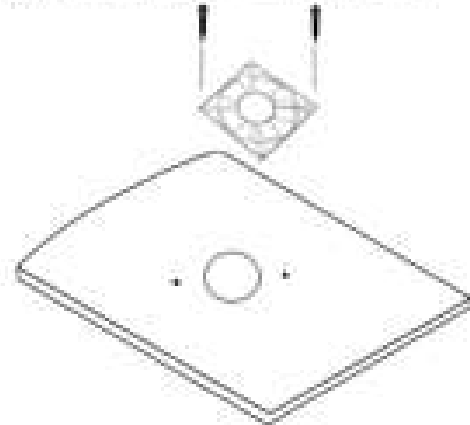
Step 4: Main stand installation.



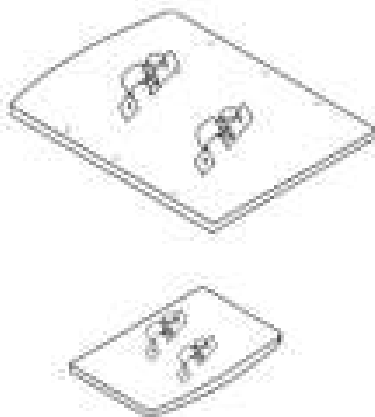
Step 2: Fix universal wheel on base.



Step 5: Fix the cooler on the bottom of the bigger plate with self-tapping screws. (Make sure the cooler face up.)



Step 3: Fix 2 slope holders on the bottom of plates.



Step 6: Rear the plates on main stand.

