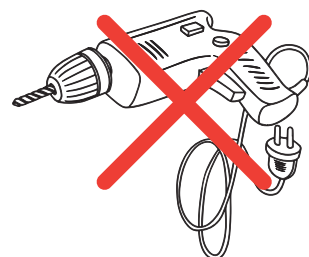
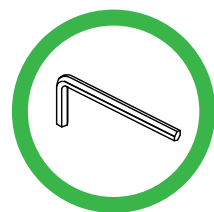


To deodorize the chair, leave it in a shaded and well-ventilated outdoor area for 1-2 days.



For long-term use, periodically retighten all bolts with the provided Allen Key.
 Note: Do not use an electric screwdriver, as it may damage the chair. Always tighten the bolts manually.



Safety Information



Sit in the center of the chair, with your back against the backrest.



Do not sit on the front edge of the chair.



Do not stand on the chair.



Do not use the chair with more than one person.



Do not push the chair around when a person is sitting in it.



Do not push down on the backrest when a person is reclined.



Do not put your full weight on the backrest.



INSTRUCTION MANUAL

Parts List



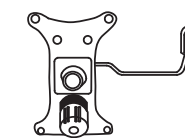
(A)*1



(B)*1



(C)*1



(D)*1



(E)*1



(F)*1



(G)*5



(H)*4
M6x32mm



(I)*8
M6x25mm



(J)*4

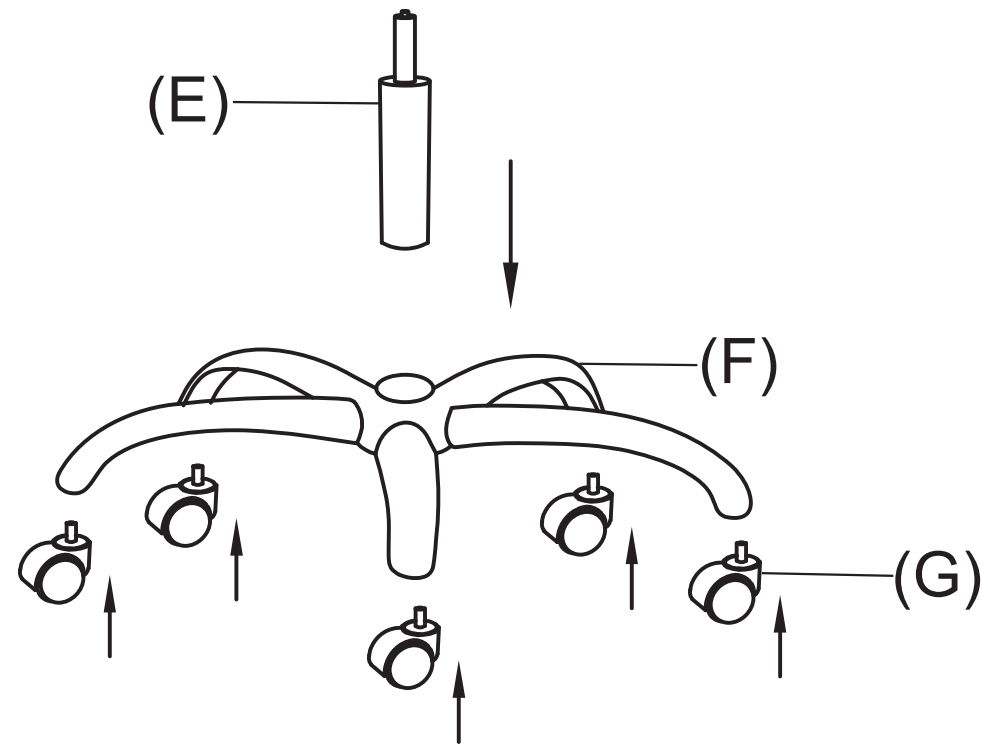


(K)*1

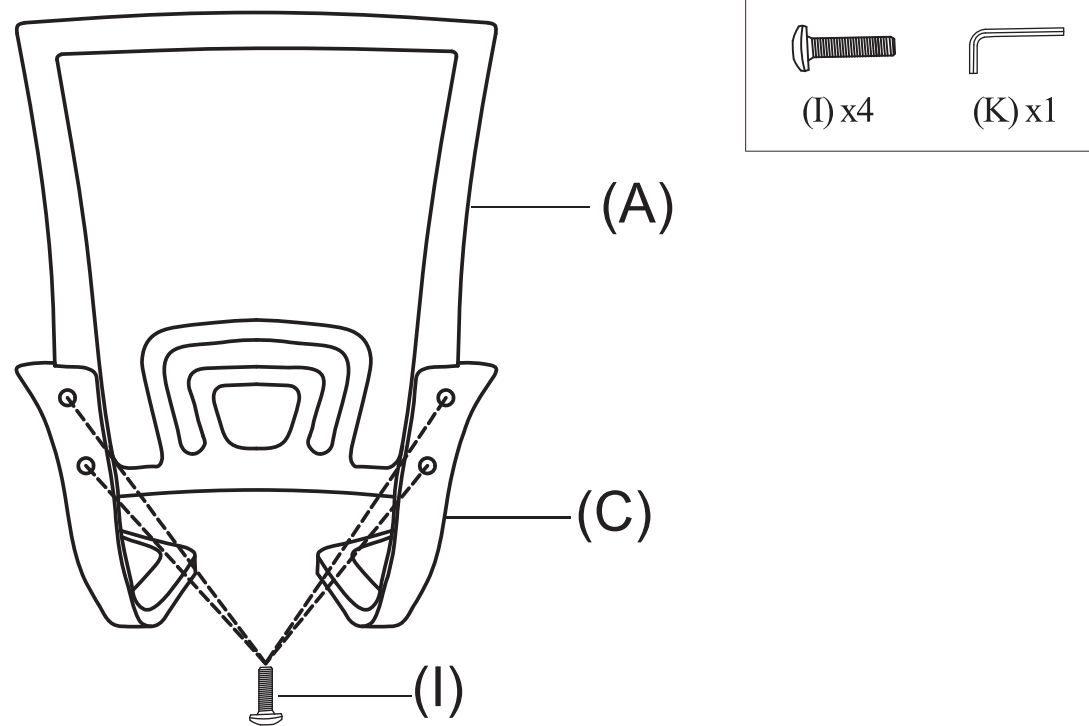


(L)*4

Assembly Instruction

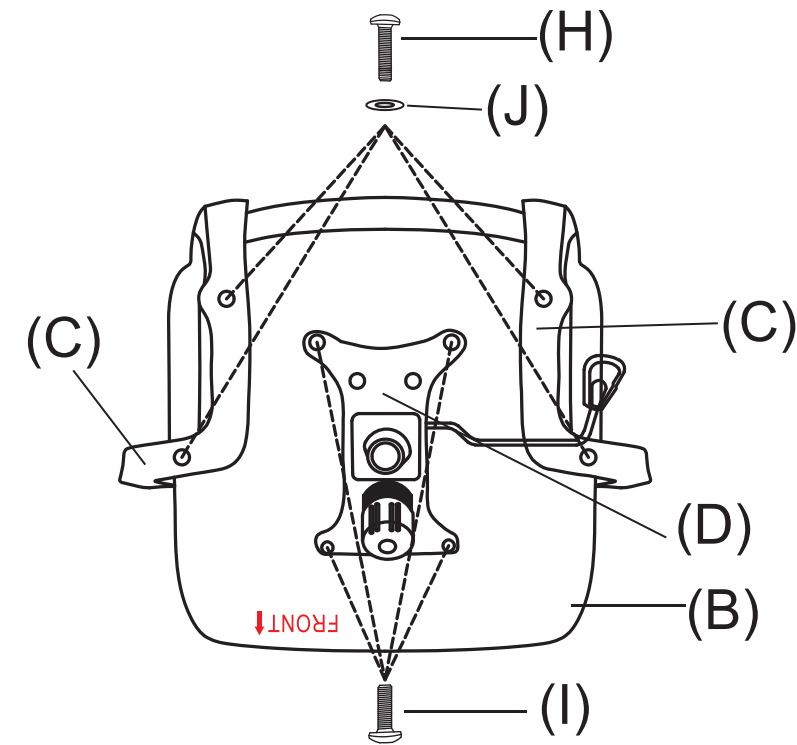


1



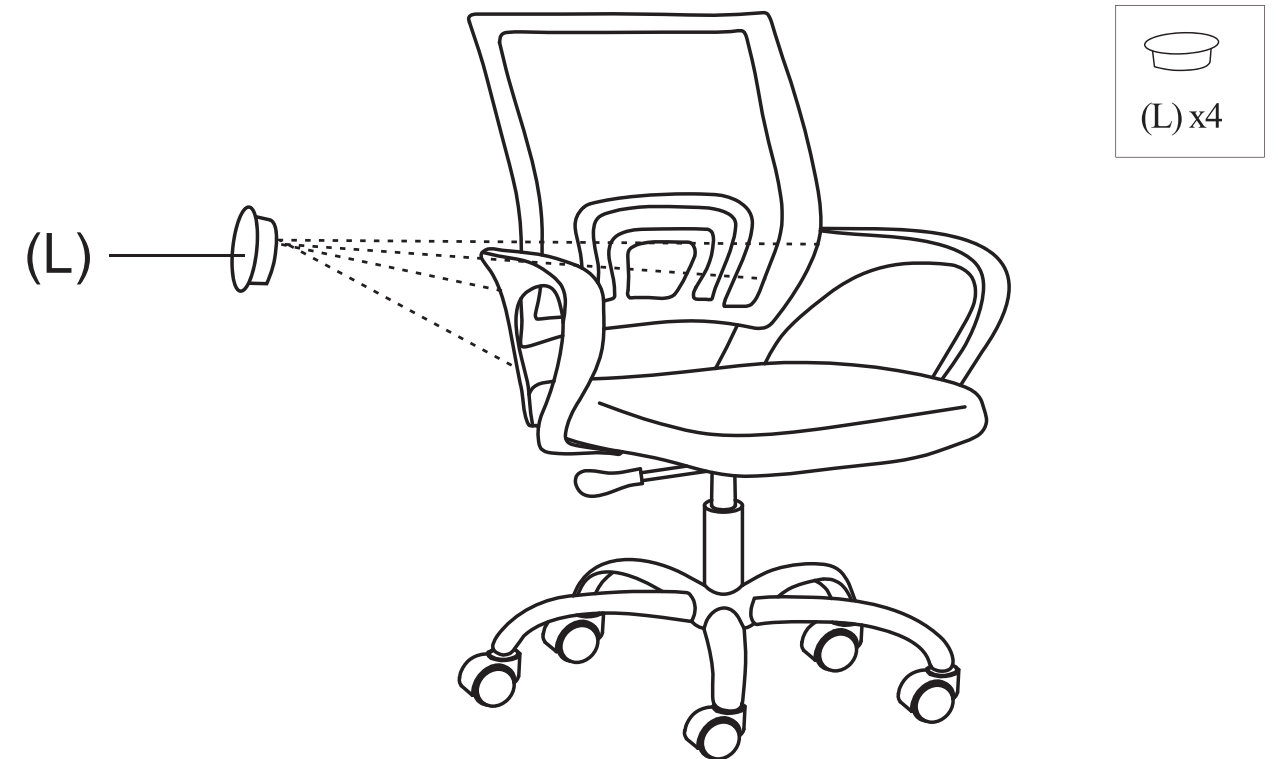
2

Attach the armrests (C) to the backrest (A), and partially tighten the screws (about 50%).



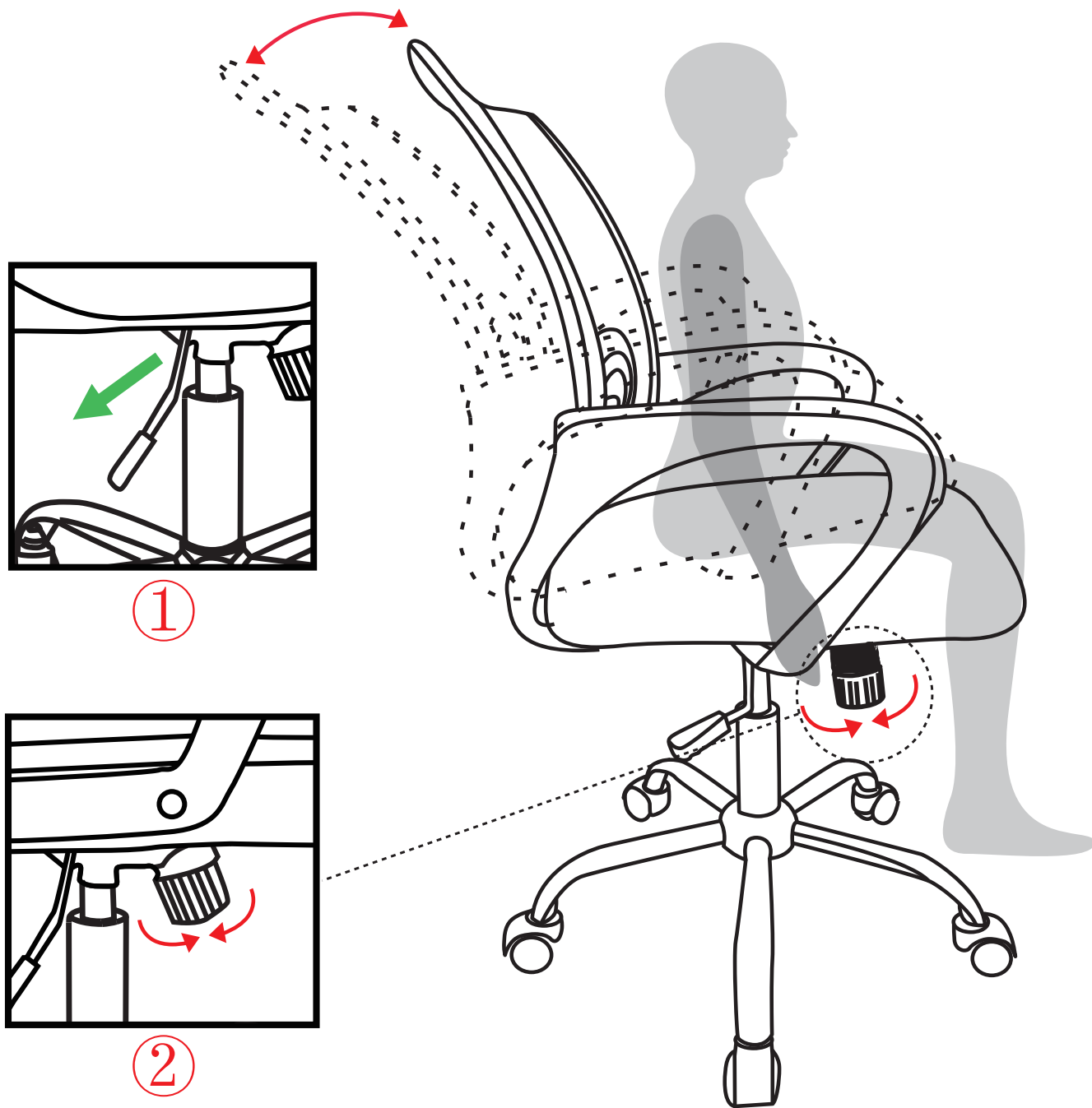
3

NOTE: Partially tighten the screws (about 50%).

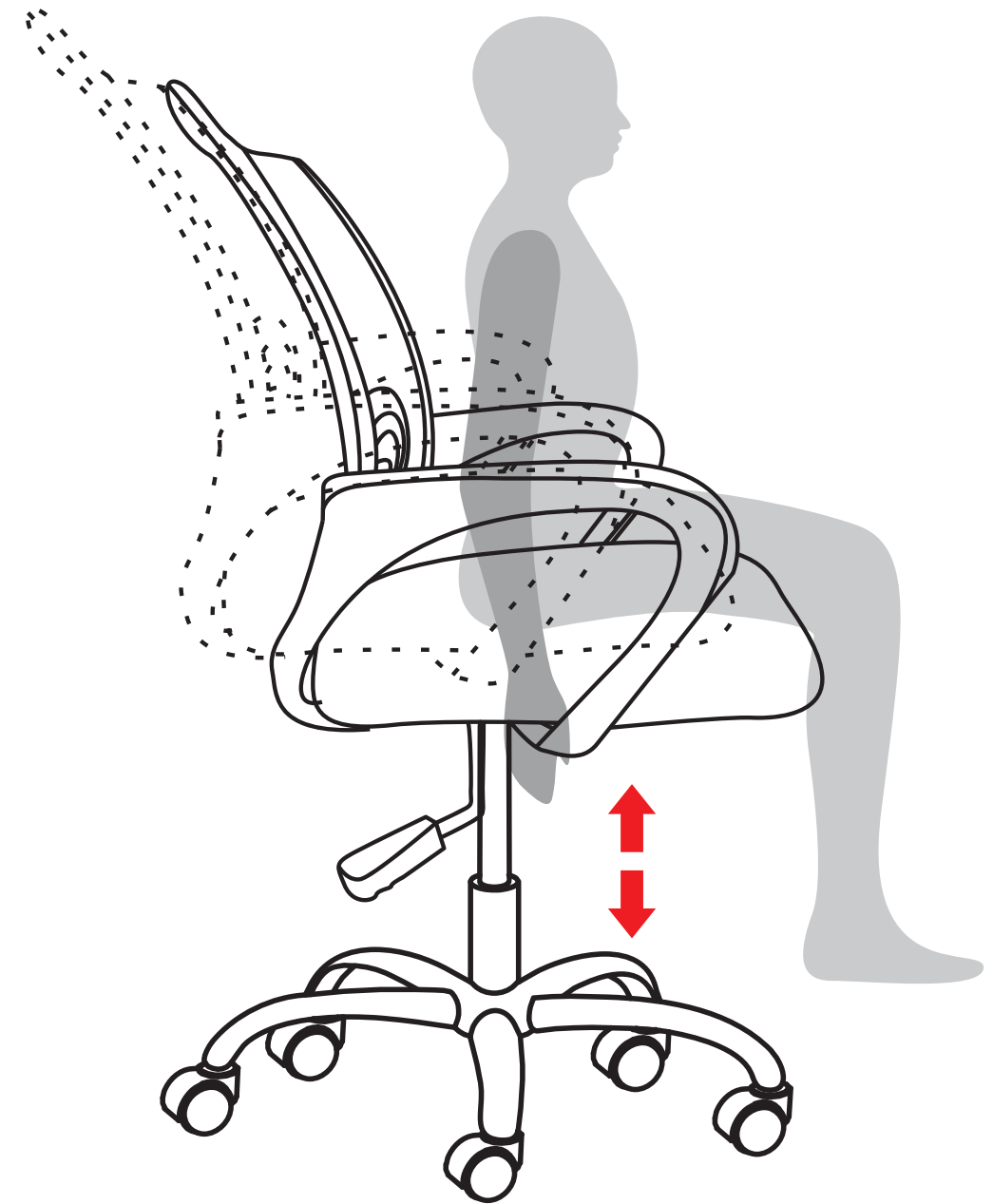


4

Insert the screw caps (L) to cover the screws on the backrest.
NOTE: Ensure all parts are correctly assembled, then fully tighten all screws.



5 Pull out the height adjustment lever, then use the tilt tension knob to adjust the reclining resistance of the backrest.



6 Push it up to adjust the seat height.

CAUTION:

- * Before using the chair, ensure that all bolts are fully tightened.
- * Lubricate all moving parts and retighten all bolts every 6 months or as needed.