

## LED Security Area Light

Catalog No. : GRD100-PC-4K-BZ

Type : Area Light

Project Name :

Location :

Qty :

Date :



PROBRITE's Guardian 100-Watt outdoor Area Light, can effectively illuminating large spaces and its photocell technology, making this a true dusk-to-dawn outdoor light. This powerful LED area light is engineered to offer customers a whole new level of brightness to your outdoor space with 4000K bright white light. Additionally, PROBRITE's Guardian is made of die-cast aluminum and coated with industrial-grade powder coat bronze finish paint which gives durability and reliability to the fixture. The fixture can mount on wall or pole, customer have the option to choose between swivel slipfitter knuckle arm mount or straight tenon mount.

### PRODUCT PERFORMANCE AT A GLANCE

SYSTEM WATTAGE	LUMENS	LPW	CRI	REPLACES (Incandescent)
100W	14000 lm	140 lm/w	>70	1000W



DUSK-TO-DAWN

#### HOUSING

Die cast aluminum housing with corrosion resistant powder-coated paint finish. It is designed to ensure cooling by natural convection and passive airflow, to let driver perform efficiently

#### IP RATING & LISTINGS

LED light engine is weather proof and water tight rated as IP65, UL Listed, and DLC premium

#### OPTICS

Clear polycarbonate lens, does not alter beam and provide focused and clear lighting output.

#### MOUNTING

It can be mount on wall or ground with tenon plate. It can be mount on pole as well with swivel slipfitter knuckle mount on 2-3/8" to 2-1/2" OD tenon.

#### FINISH

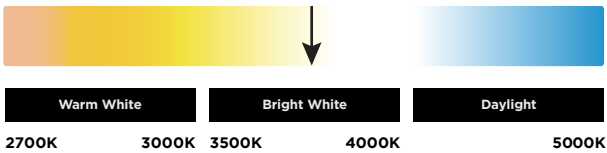
Fade, weather, and abrasion resistant, electrostatically applied, thermally cured, triglycidal isocyanurate (TGIC) textured polyester powdercoat bronze paint finish.

#### WARRANTY

Covered by a 5-year limited warranty. See [probrite.com/warranty](http://probrite.com/warranty) for details.

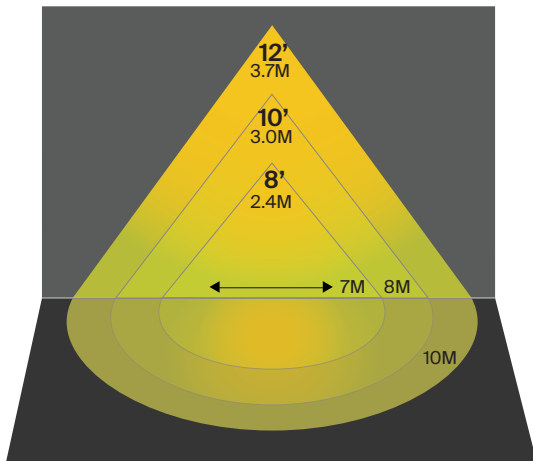
## PRODUCT SPECIFICATION

Product Dimensions	: 13.74" x 3.62" x 15.48"
Weight	: 9.33 lbs
Lumens	: 14000
LED Wattage	: 100W
Efficacy	: 140W
CRI	: >70
Replaces (Incandescent)	: 1000W
Mounting	: Wall/Pole/Ground Mount
Frequency	: 50-60Hz
THD (Total Harmonic Distortion)	: <20%
PF(Power Factor)	: >0.9
Ambient Operating Temperature	: (-30)-40°C
Input Voltage	: 120-277V
LED Chip	: -
Photocell	: Yes
Driver	: Dimming
Standard Lifetime	: 50,000 hrs
Standard Warranty	: 5 Years
Water Proofing Grade	: Suitable for wet location
CCT	: 4000K Bright White Light
Certifications	: IP65, FCC Certified, UL Certified, DLC Premium

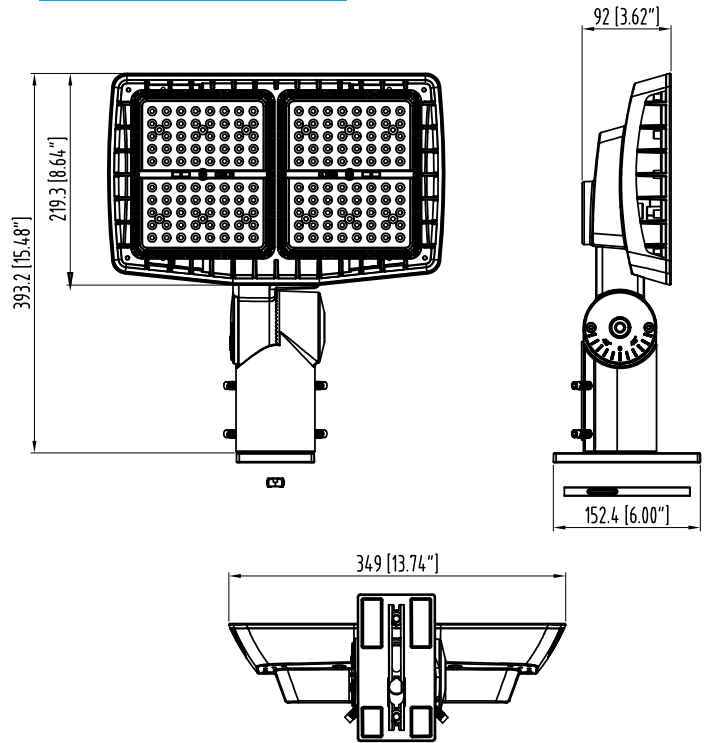


**SUGGESTED MOUNTING HEIGHT:**  
12' to 15' (3.7 - 4.6 M)

### 3D PHOTOMETRIC VIEW



### PRODUCT LINE DRAWING



### APPLICATION

#### SUITABLE FOR MULTIPLE APPLICATIONS

- WAREHOUSES • LOADING BAYS • PATIOS
- COMMERCIAL PARKS • APARTMENT COMPLEXES

