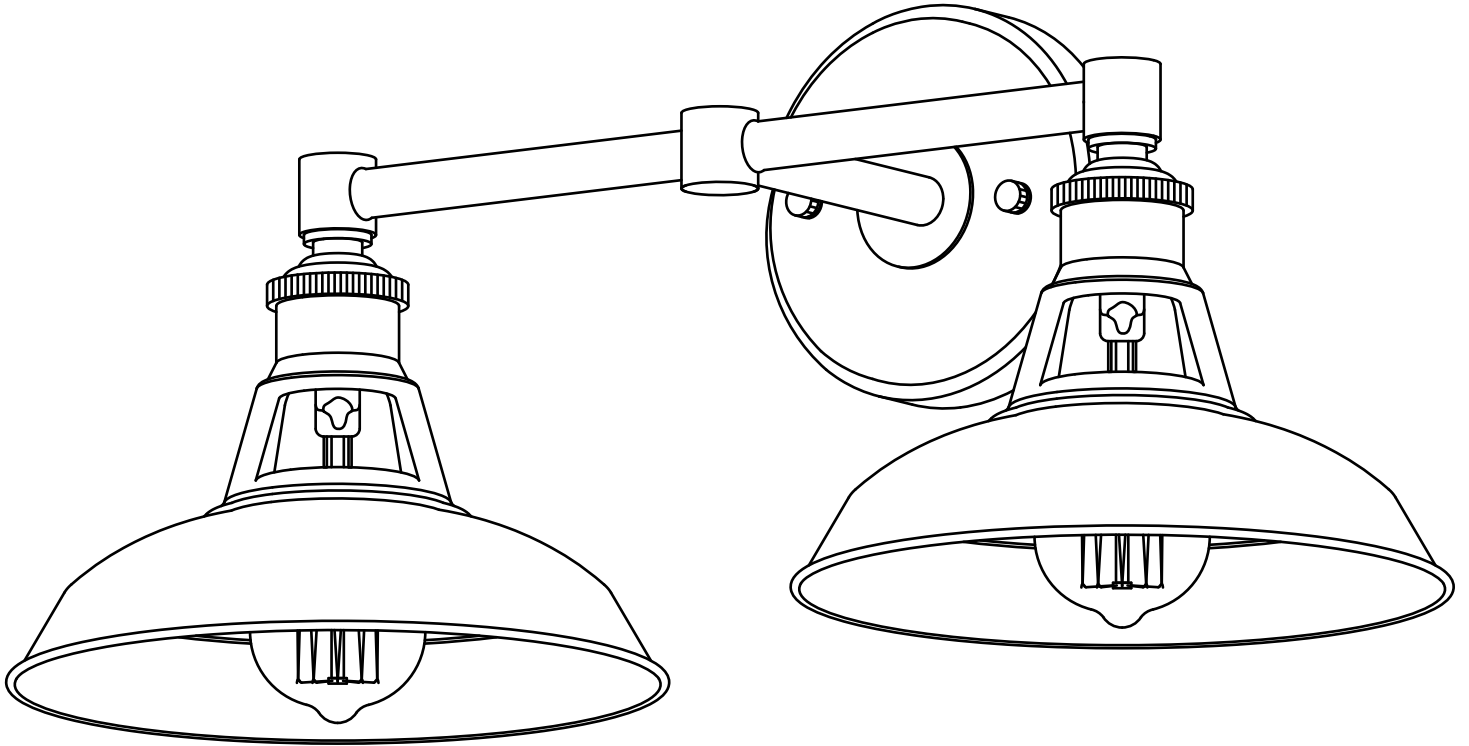


## 2 Light Wall Sconce

### ASSEMBLY INSTRUCTIONS

REMOVE ALL PARTS FROM PACKAGE, BE CAREFUL NOT TO DAMAGE ANY COMPONENTS.

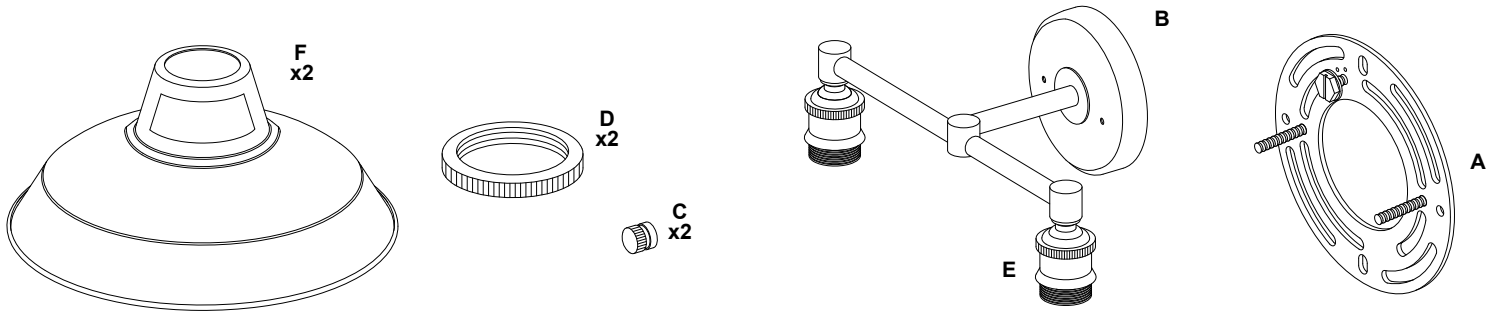


---

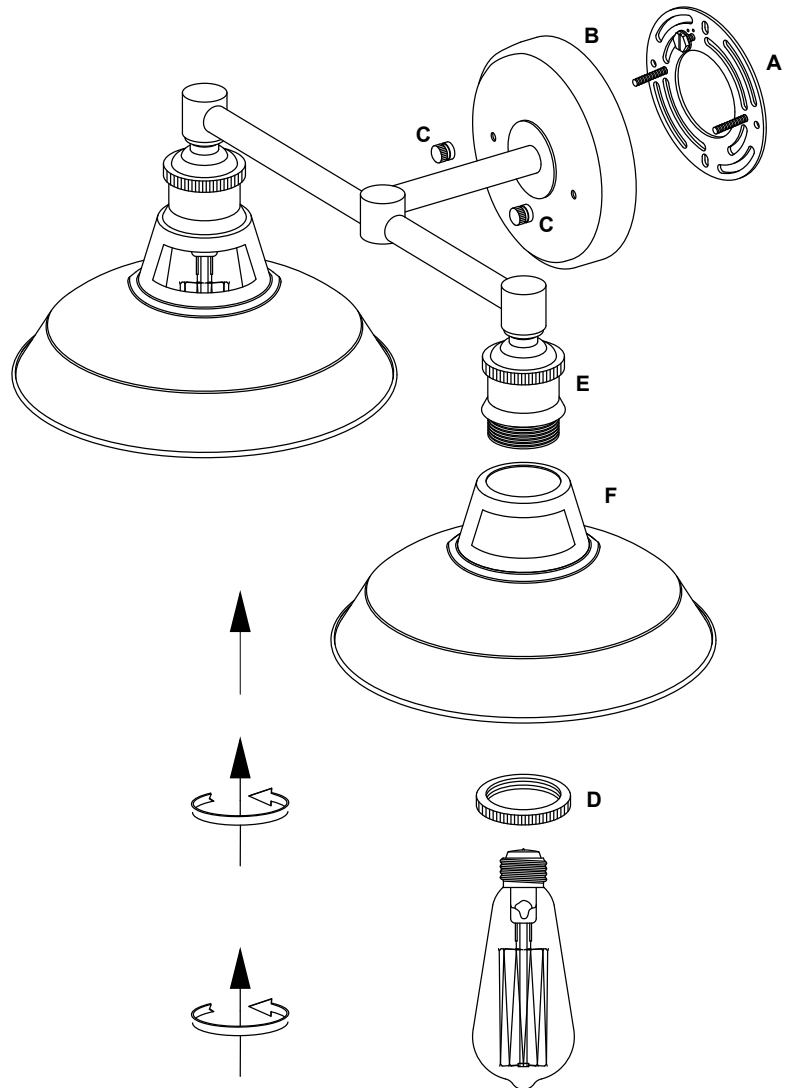
PROFESSIONAL INSTALLATION RECOMMENDED

## 2 Light Wall Sconce

REMOVE ALL PARTS FROM PACKAGE, BE CAREFUL NOT TO DAMAGE ANY COMPONENTS.



1. Measure area and determine desired mounting height.
2. Detach mounting plate [A] from backplate [B] by removing backplate nuts [C].
3. Install light to wall. We recommend installation by a qualified electrical professional. Secure light to wall by replacing backplate nuts [C].
4. Remove socket ring(s) [D] from socket(s) [E]. Place shade(s) [F] over socket(s) [E] and secure by replacing socket ring(s) [D].
5. Install bulb(s) 60W max.



Note: Turn off switch before replacing the bulb. Make sure the bulb has sufficient time to cool down. Do not subject the lamp to any shock while lit as shattering of glass shade may result.