

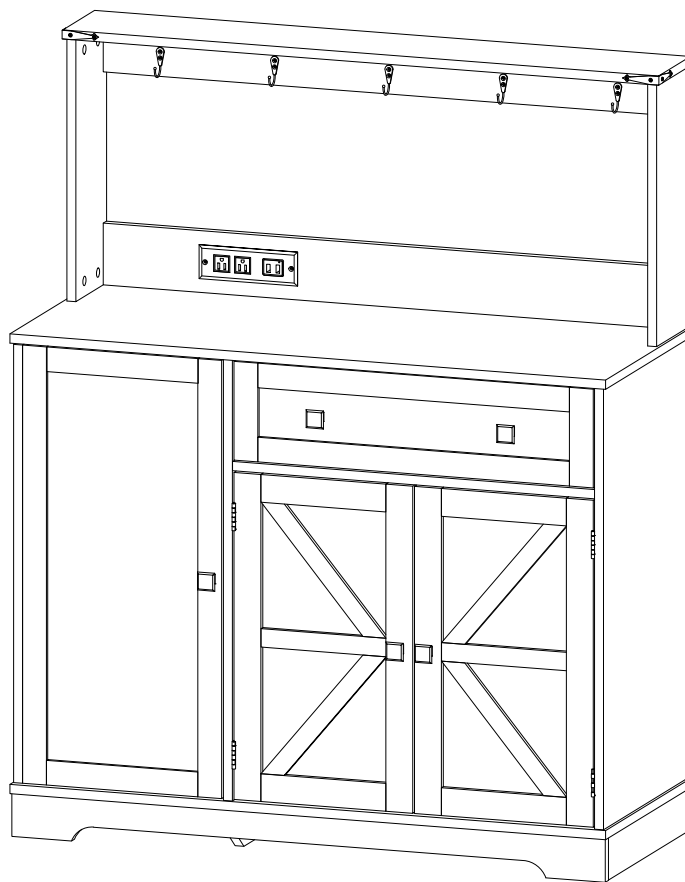
Assembling Instruction

Product Notes:

This product will take about two hours to assemble by yourself.

It is easy to follow the instructions and text to assemble, the process is very simple and smooth.

The assembled product is very beautiful.



ATTENTION

If there is any missing, please kindly send us messages to let us know the name of missing part regarding to the first page of instructions.

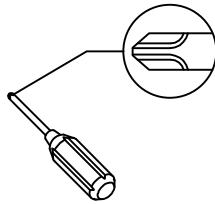
We will send replacement to you asap. We are concerned about each customer's experience, if there is any loss or damage, please contact us at any time, we will provide effective solutions.

Please attach your Oder ID so that we can assist you better.

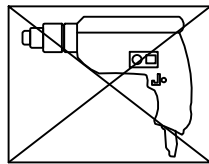


General Assembly Guidelines

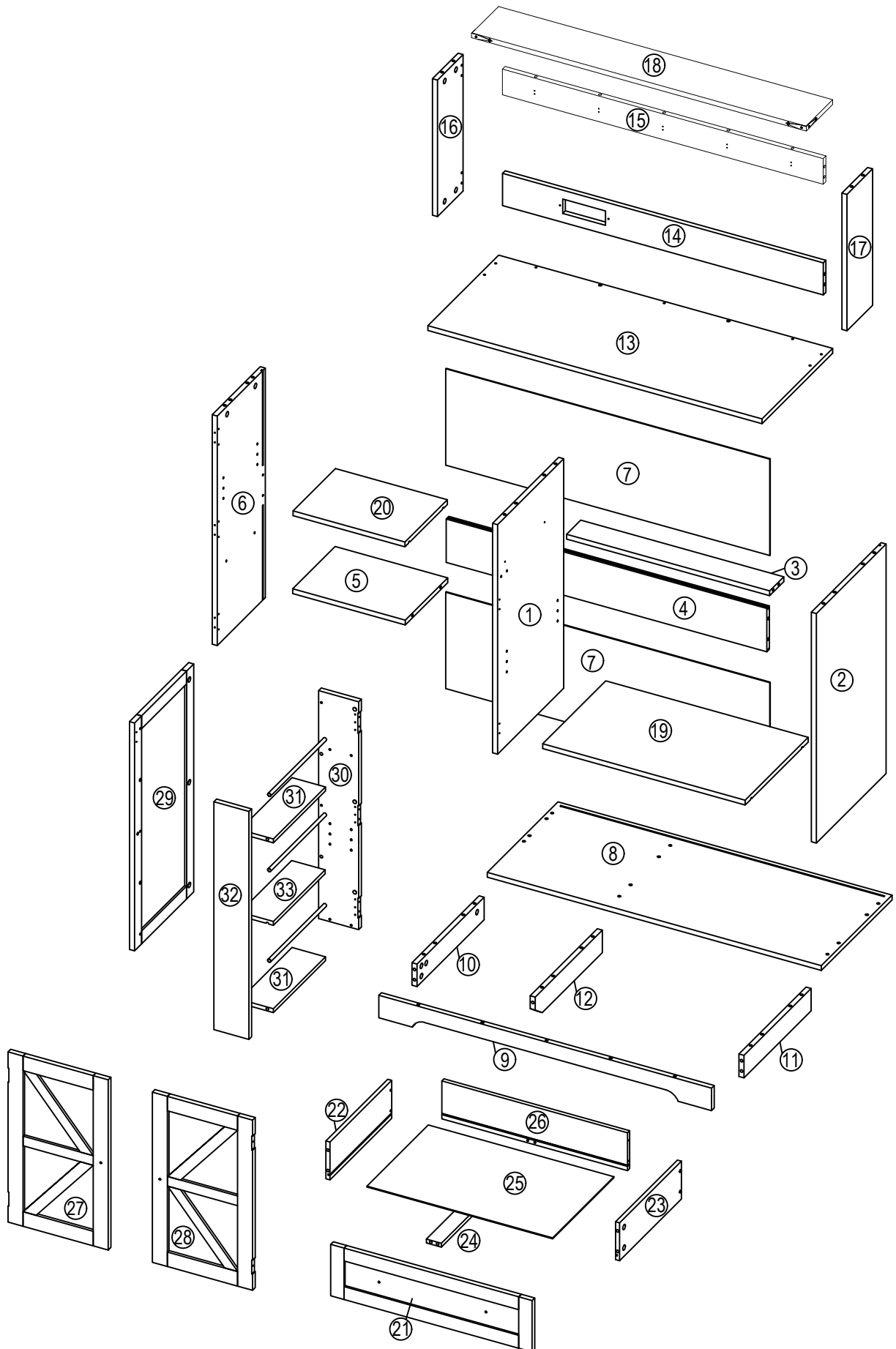
- I . Ensure that all parts and hardware are available before beginning assembly.
- II. Follow each step carefully to ensure the proper assembly of this product.
- III. Two people are recommended for ease in the assembly of this product.
- IV. The three main types of hardware used to assemble this product are : wood dowels , screws and bolts.
- VI . A Phillips head screwdriver is required for the assembly of this product .



- VII . Power tools should not be used to assemble this product .



Parts List



HARDWARE PACK CONTENT

A



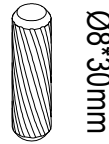
73X + 7

B



73X + 7

C



30X + 2

D



12X + 1

E



8X + 1

F



5X + 1

G



18X + 2

H



12X + 1

I



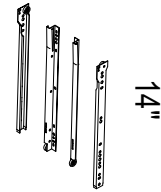
54X

J



68X + 6

K



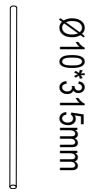
1X

L



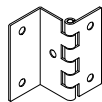
5X

M



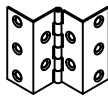
3X

N



4X

O



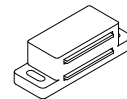
3X

P



2X

Q



3X

R



1X

S



1X

T



12X + 1

U



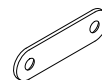
5X

V



2X

W

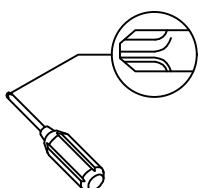


3X

X



3X



Philips head screwdriver required for assembly

(not included)

The hardware quantities listed above are required for proper assembly.
Some extra hardware may also have been included.

HARDWARE PACK CONTENT

Y



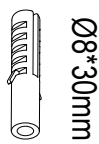
2X

Z

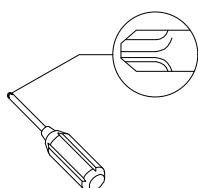


2X

C1



2X



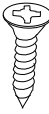
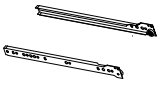
Philips head screwdriver required for assembly
(not included)

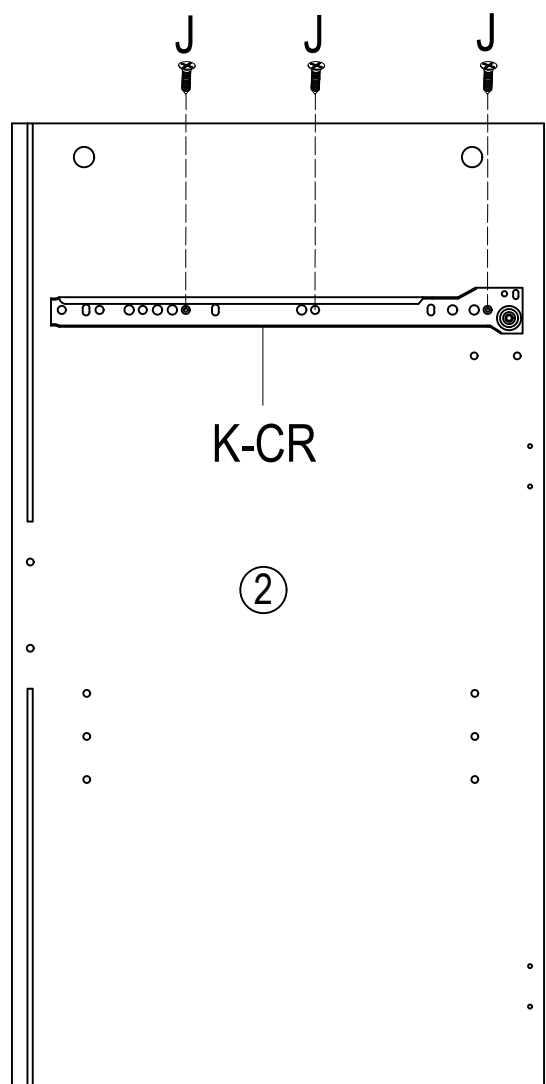
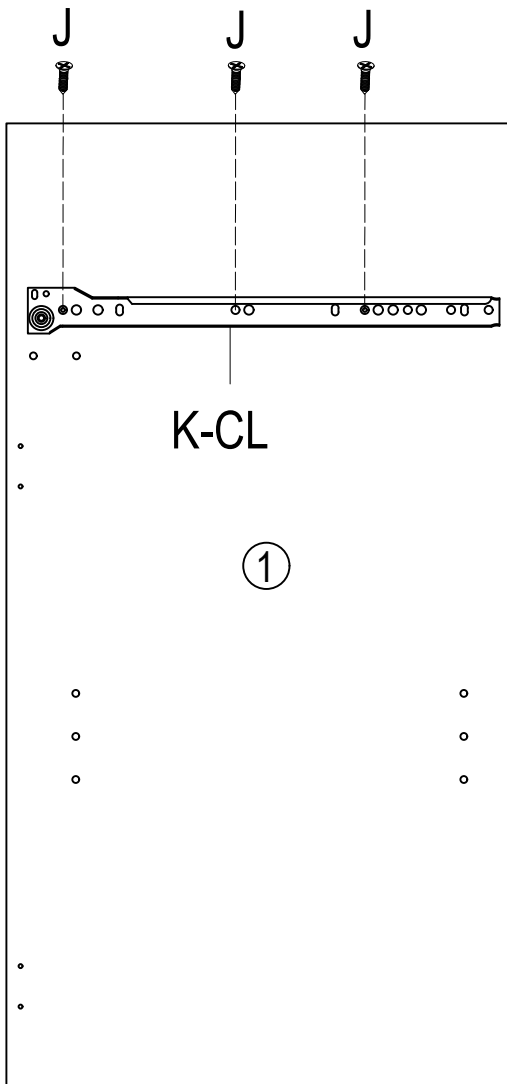
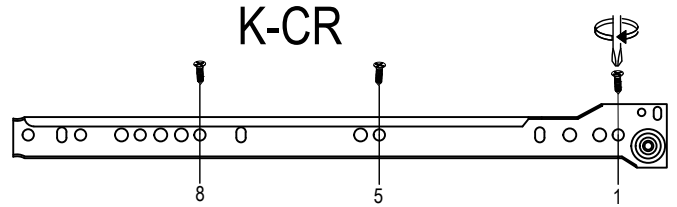
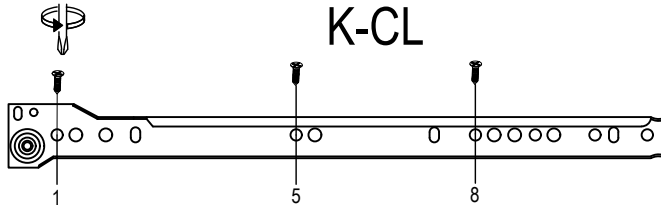
The hardware quantities listed above are required for proper assembly.
Some extra hardware may also have been included.

Step 1

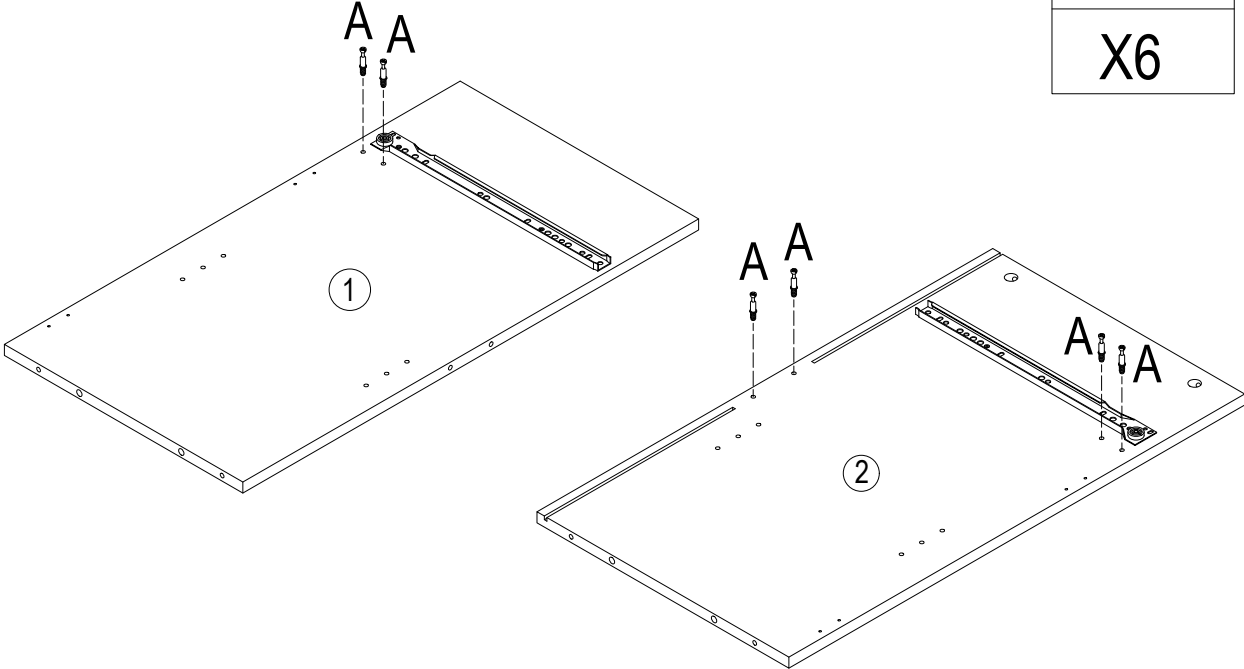
NOTE:

Refer to the images to identify K-CL(left) and K-CR (right).
Attach K-CL to #1 panel and K-CR to #2 panel.[J] screws
must go in the exact spots shown.

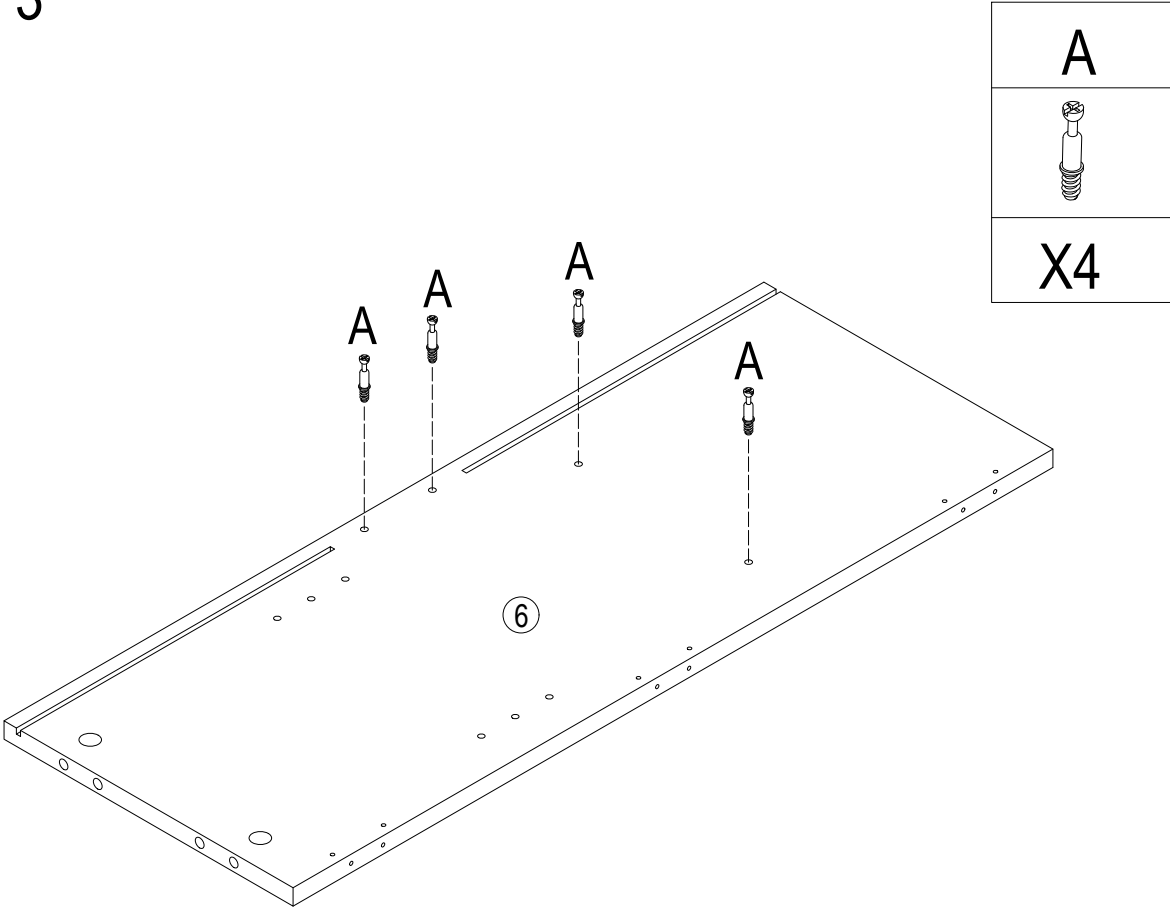
J	K
	
X6	X1



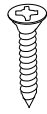
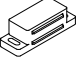
Step 2

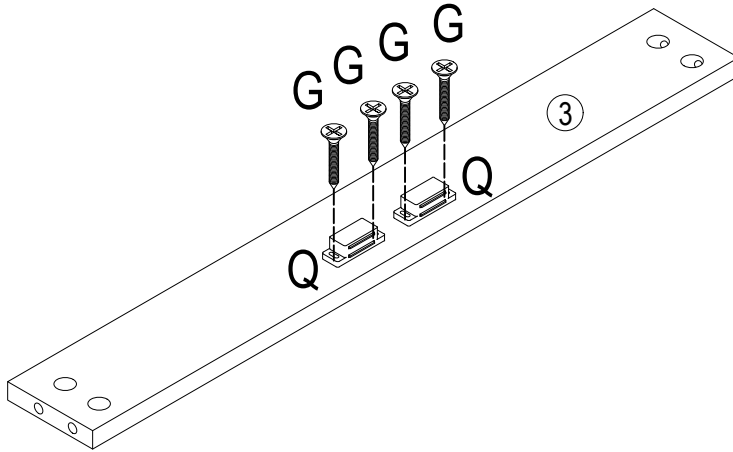


Step 3




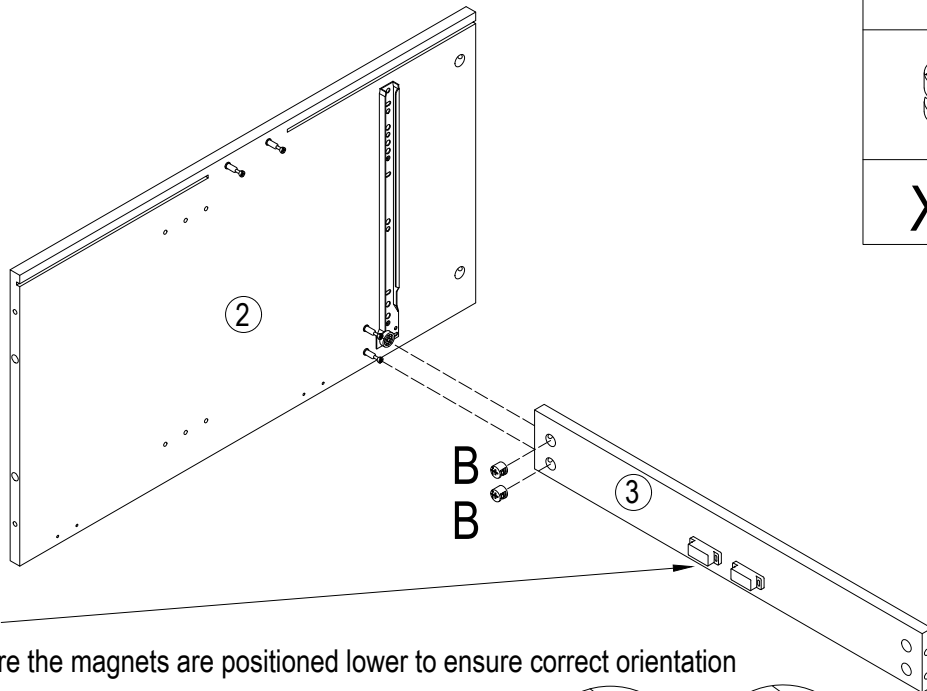
Step 4

G	Q
	
X4	X2

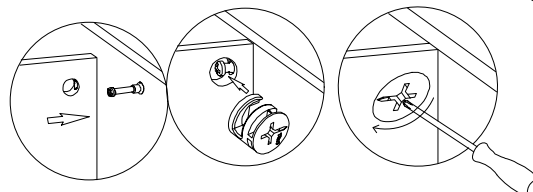


Step 5

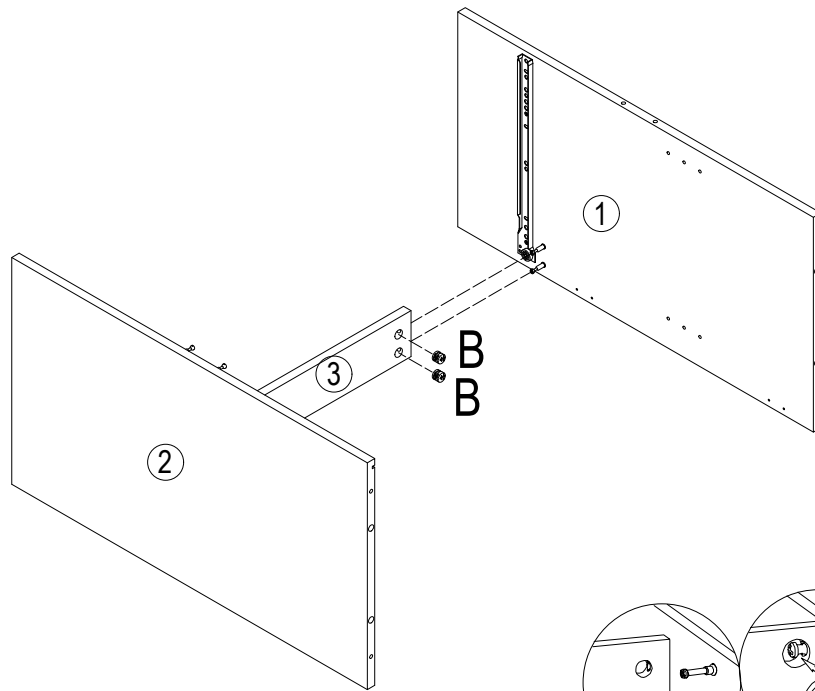
B

X2




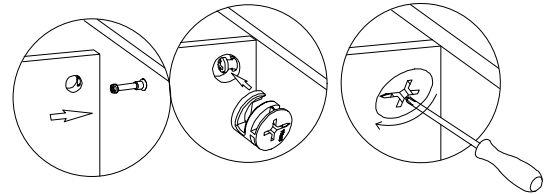
NOTE: Make sure the magnets are positioned lower to ensure correct orientation



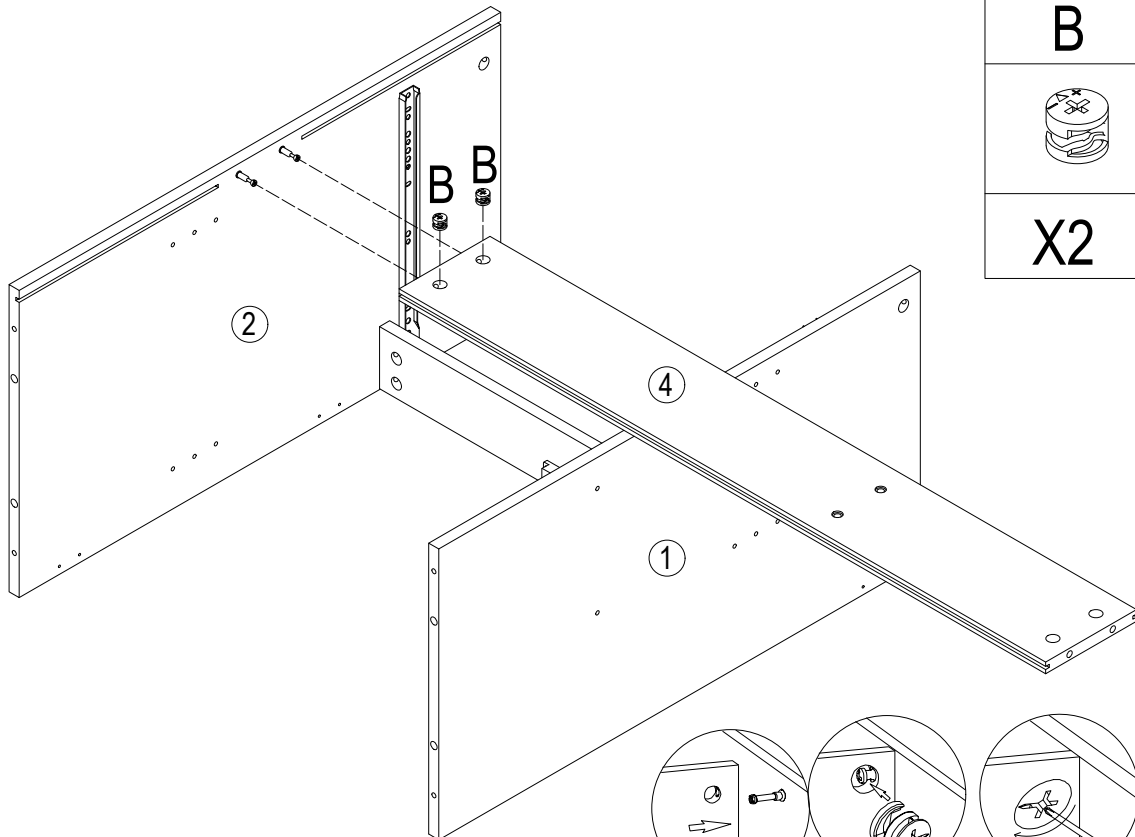
Step 6




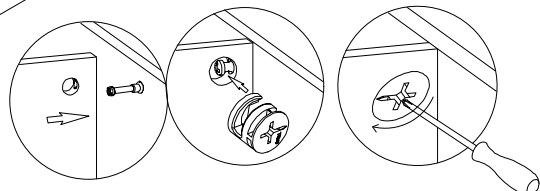
B

X2



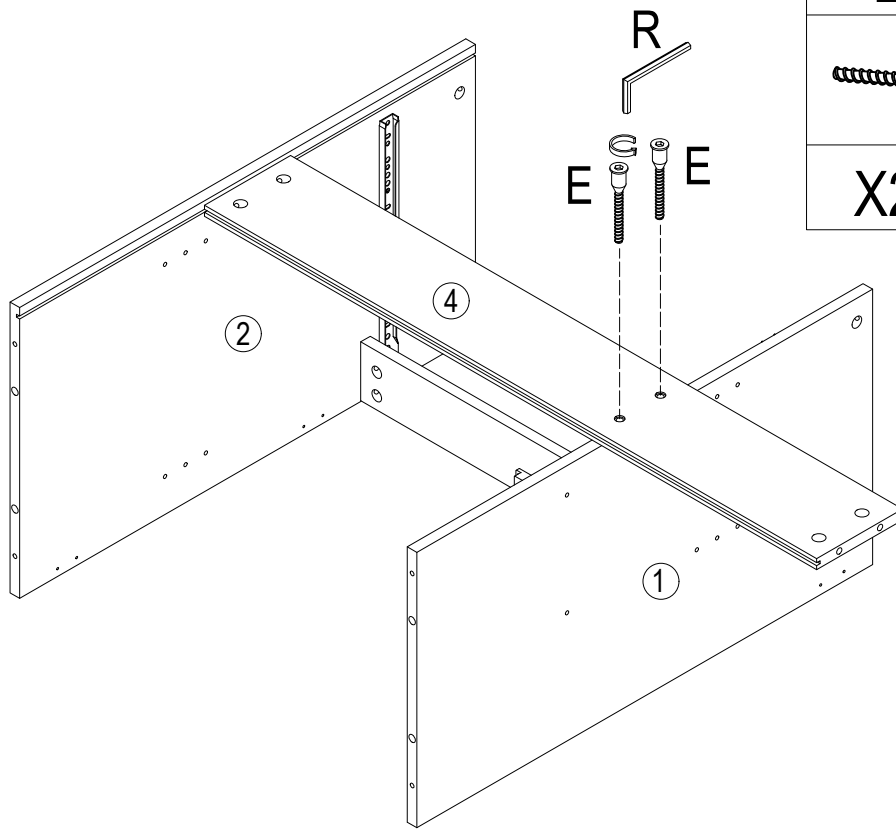
Step 7

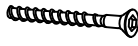
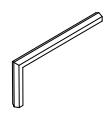


B

X2

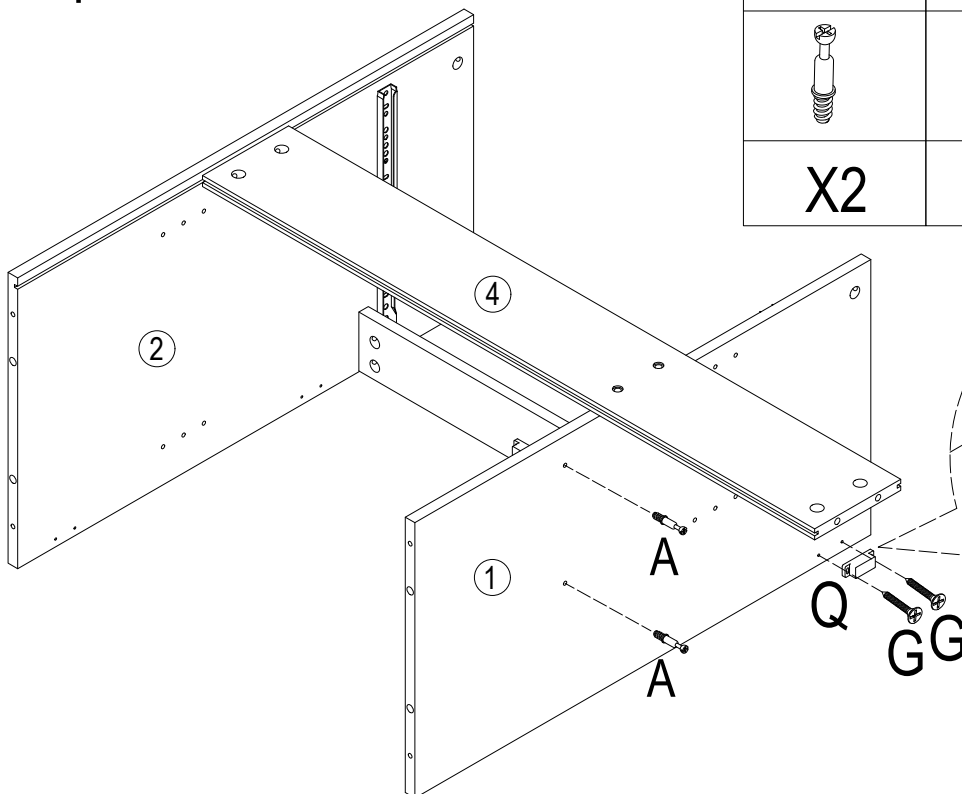



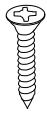
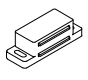
Step 8



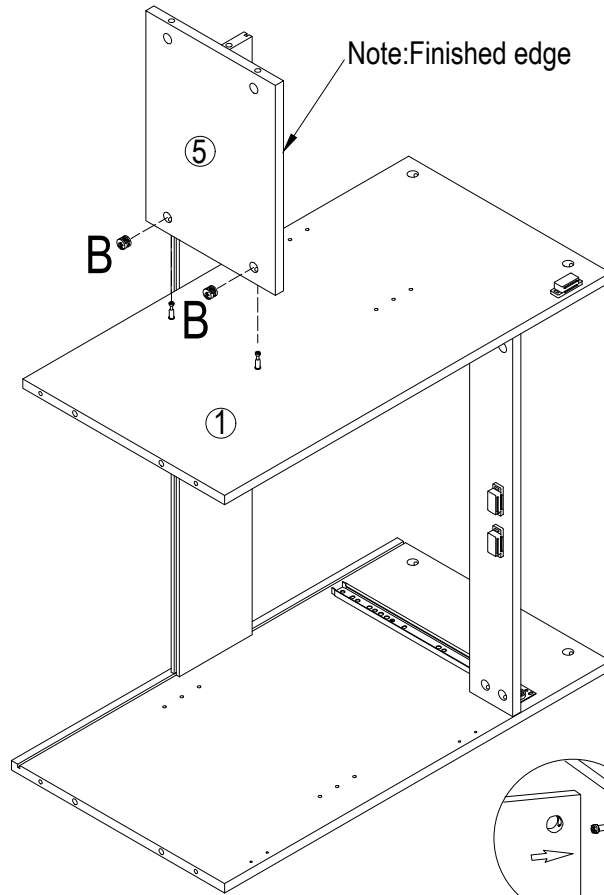
E	R
	
X2	X1


Step 9

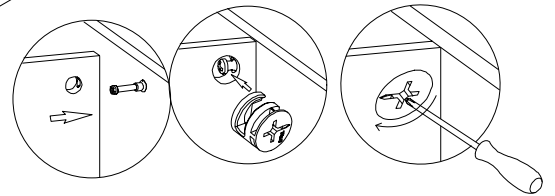


A	G	Q
		
X2	X2	X1

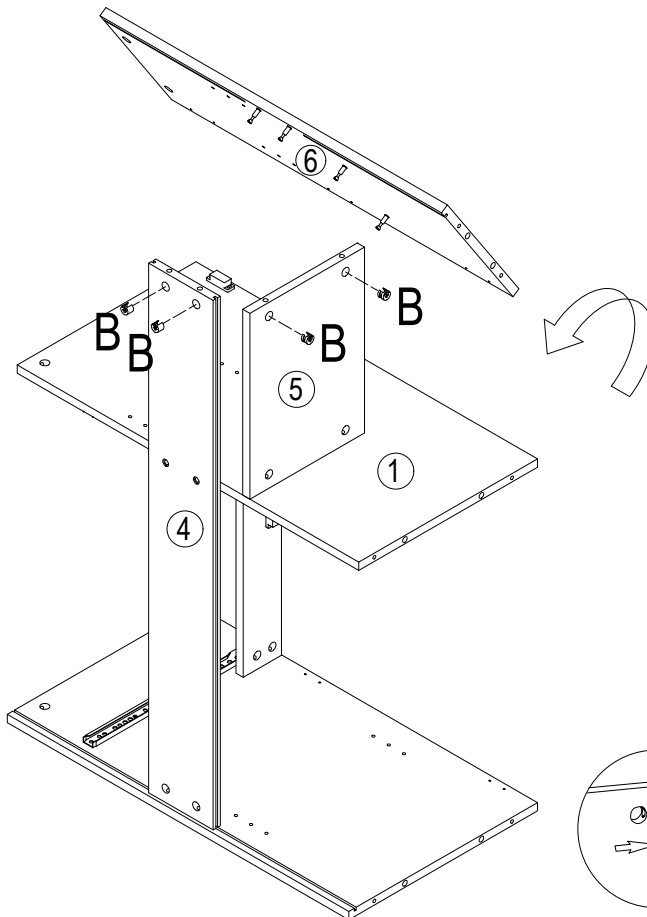
Step 10




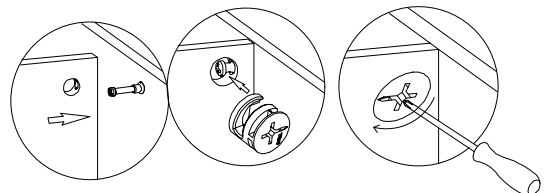
B

X2



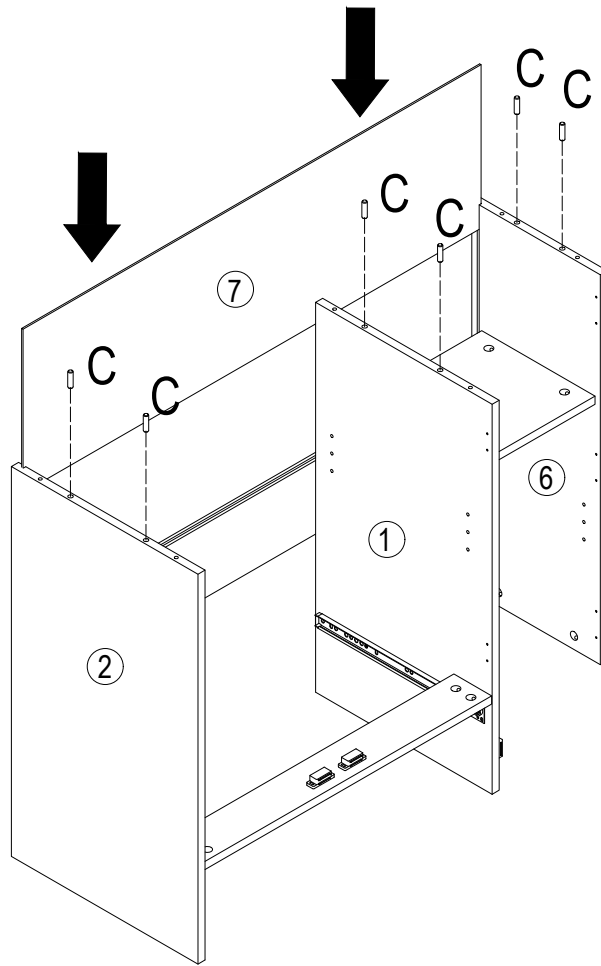
Step 11




B

X4

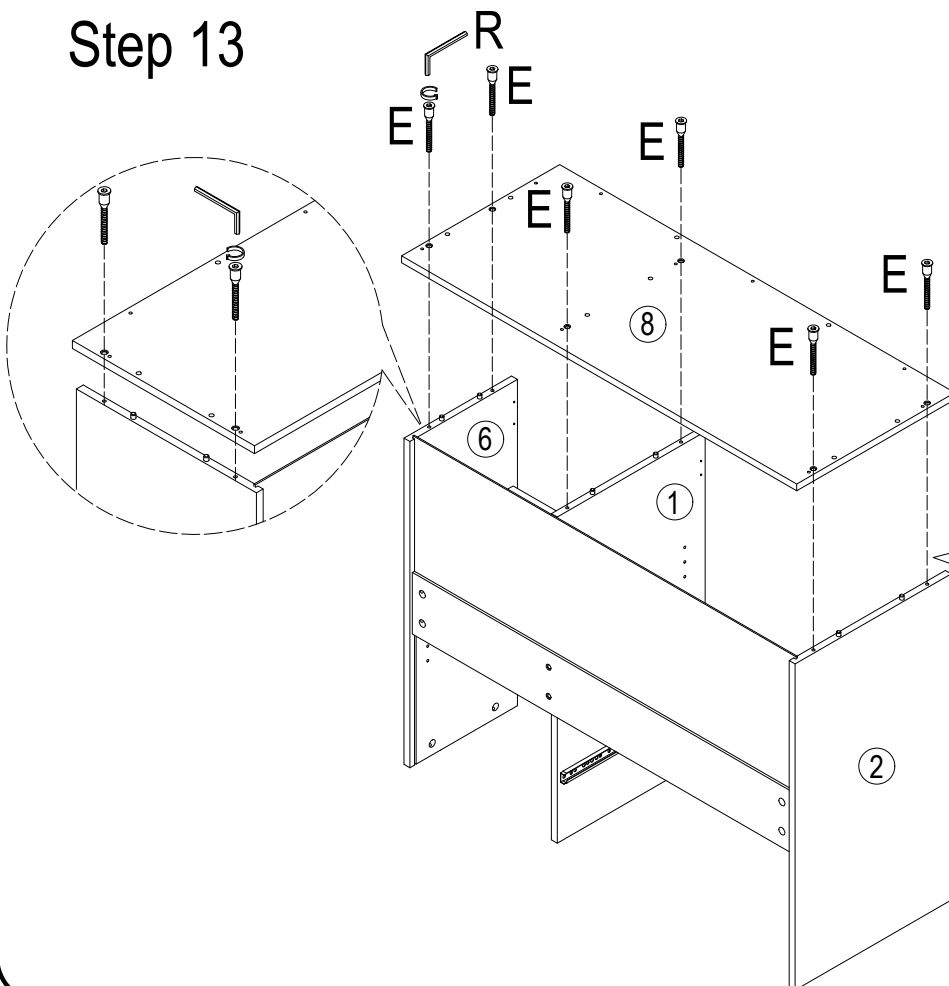


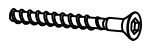
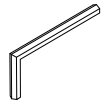
Step 12



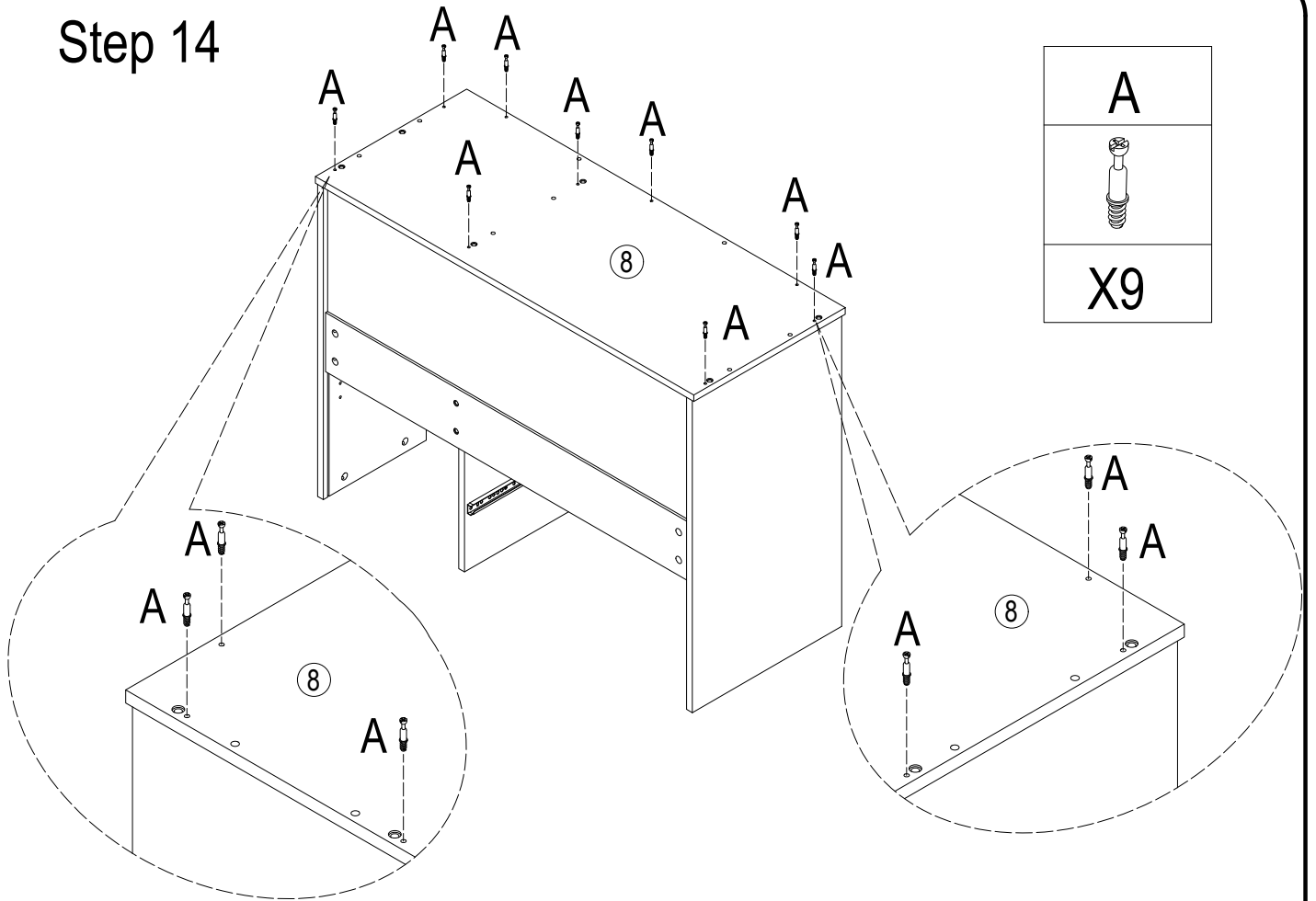
C

X6

Step 13

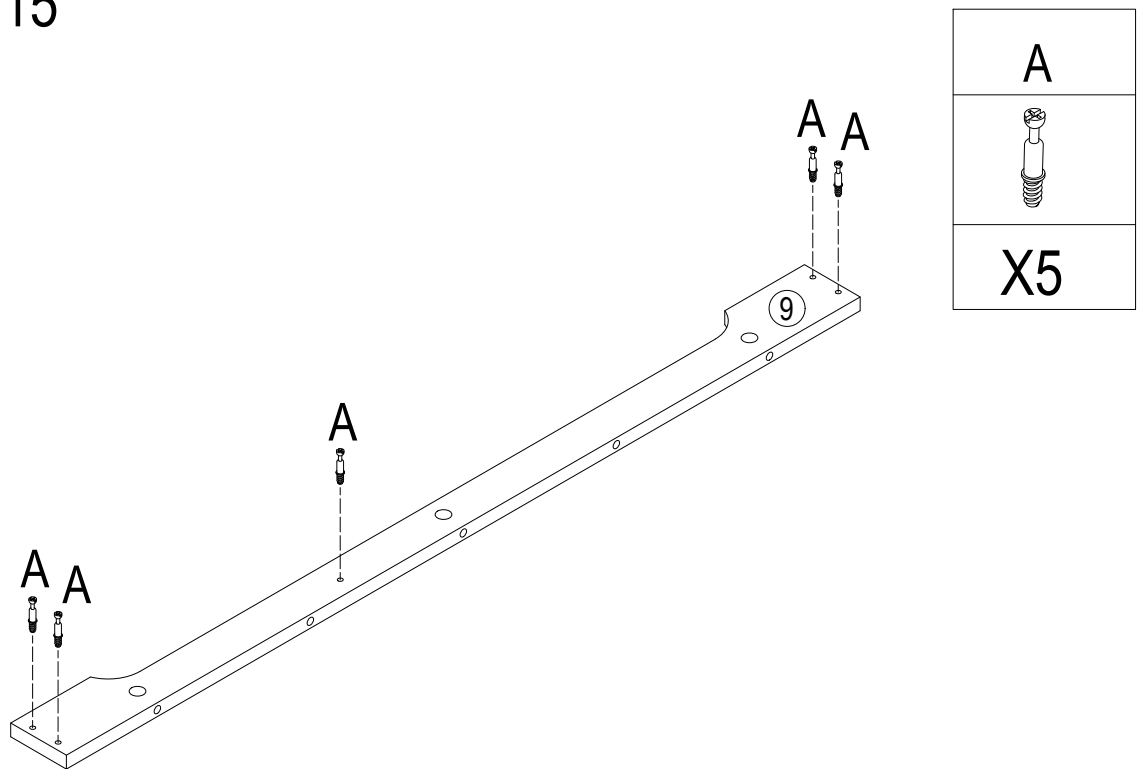


E	R
	
X6	X1

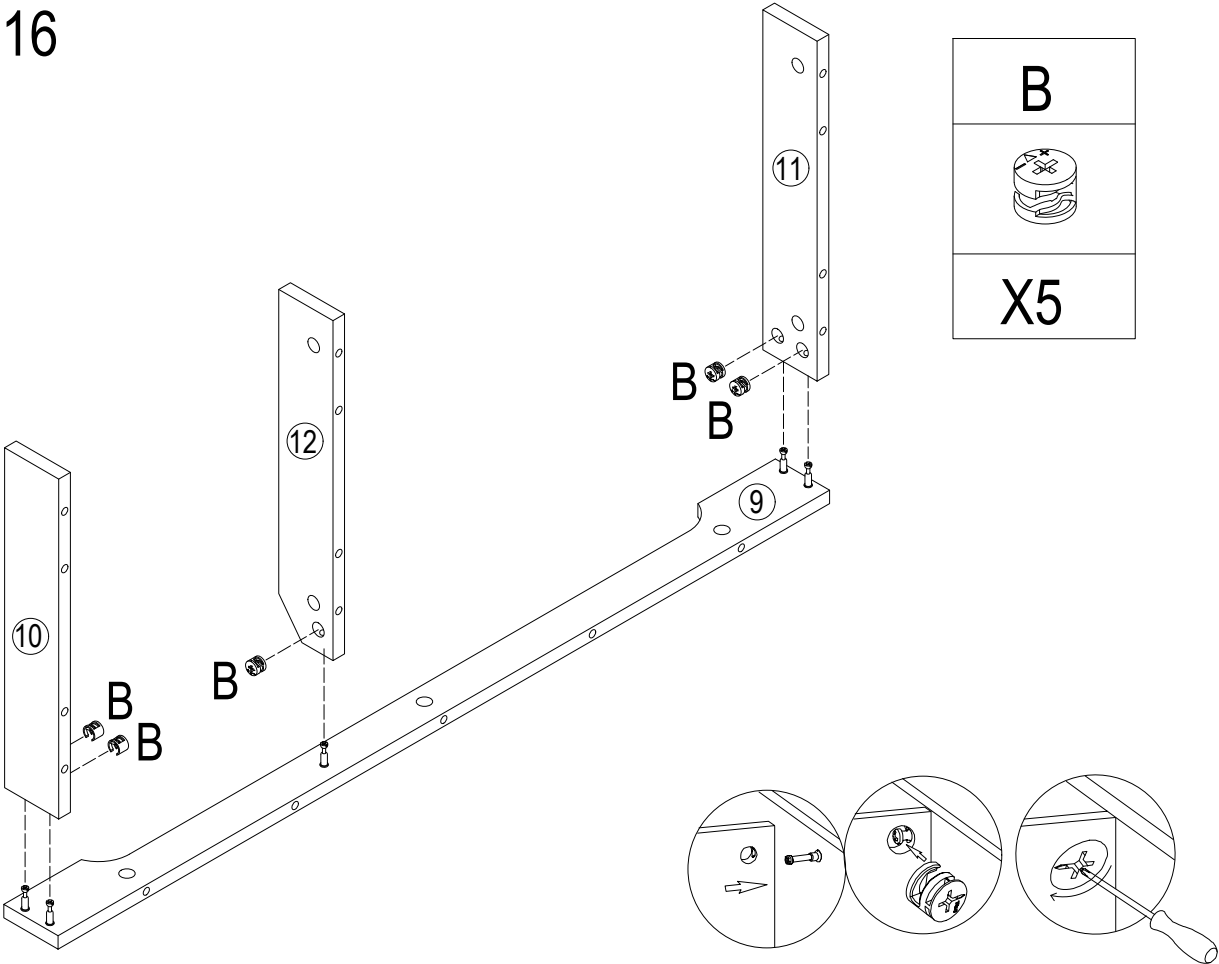
Step 14



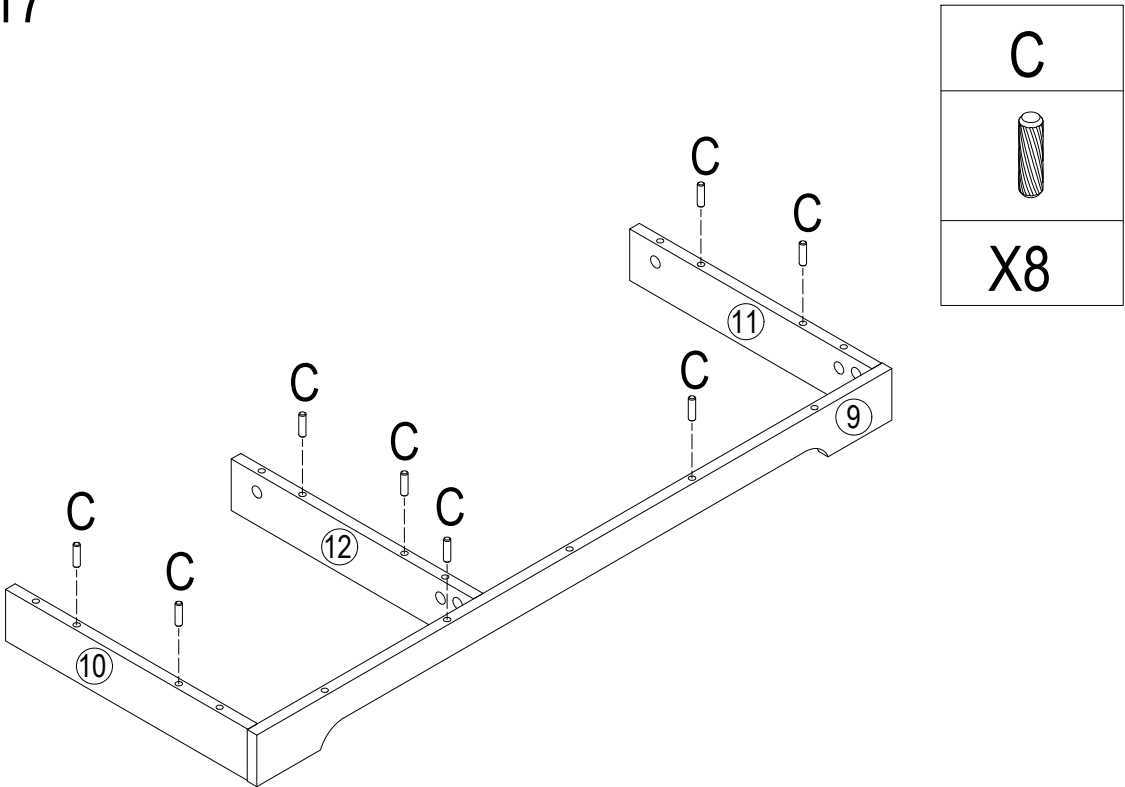
Step 15



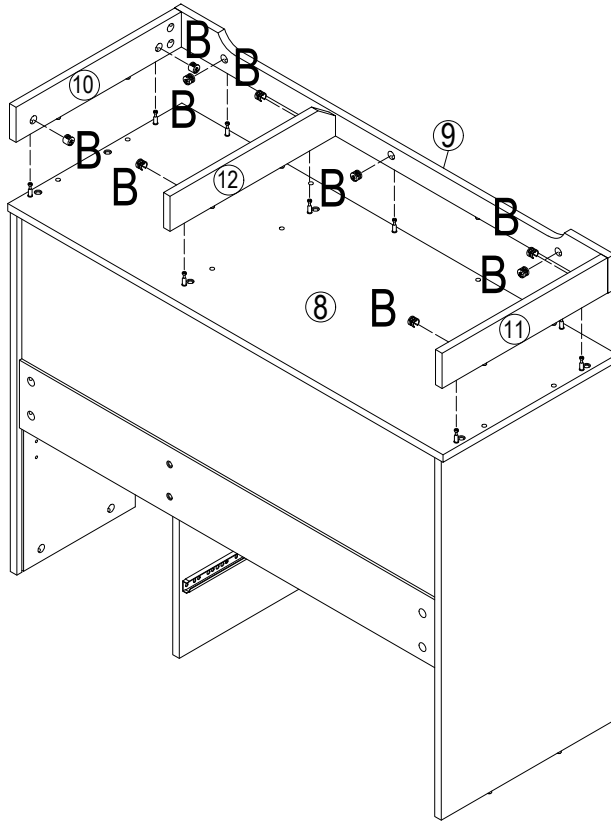
Step 16



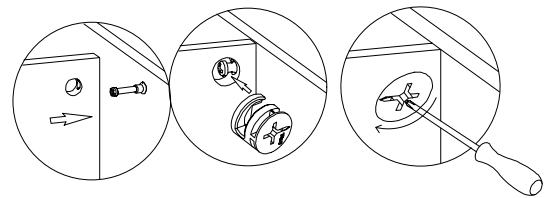
Step 17



Step 18



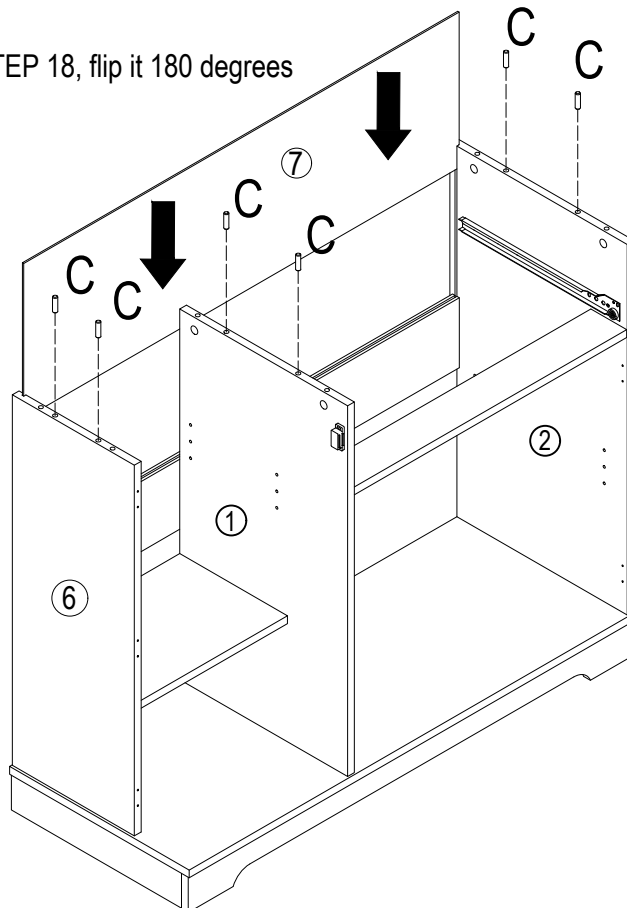
B
X9



Step 19




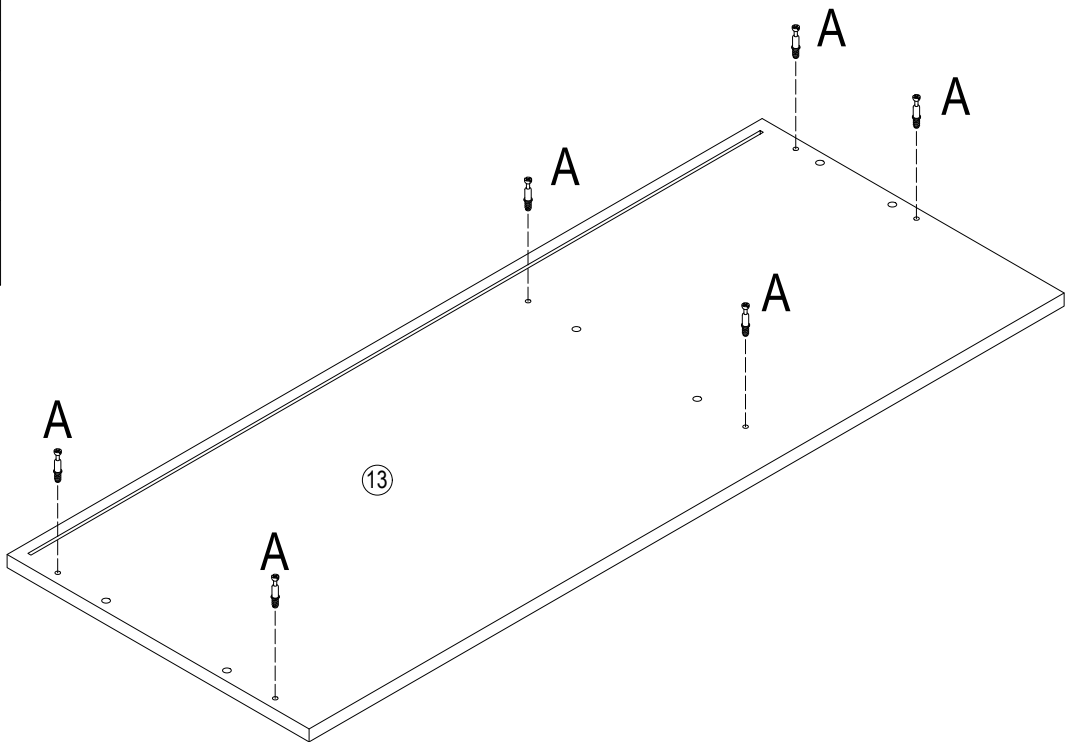
NOTE: After finished STEP 18, flip it 180 degrees




C
X6

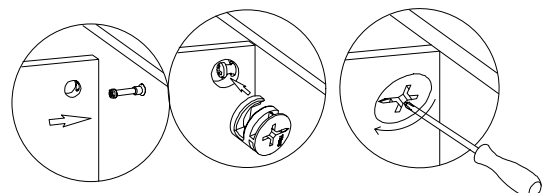
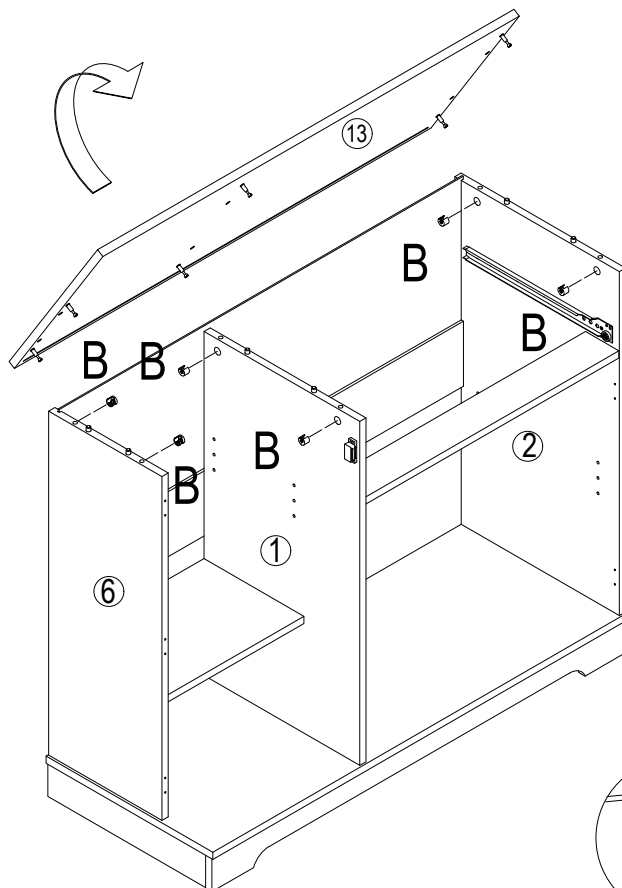
Step 20

A

X6

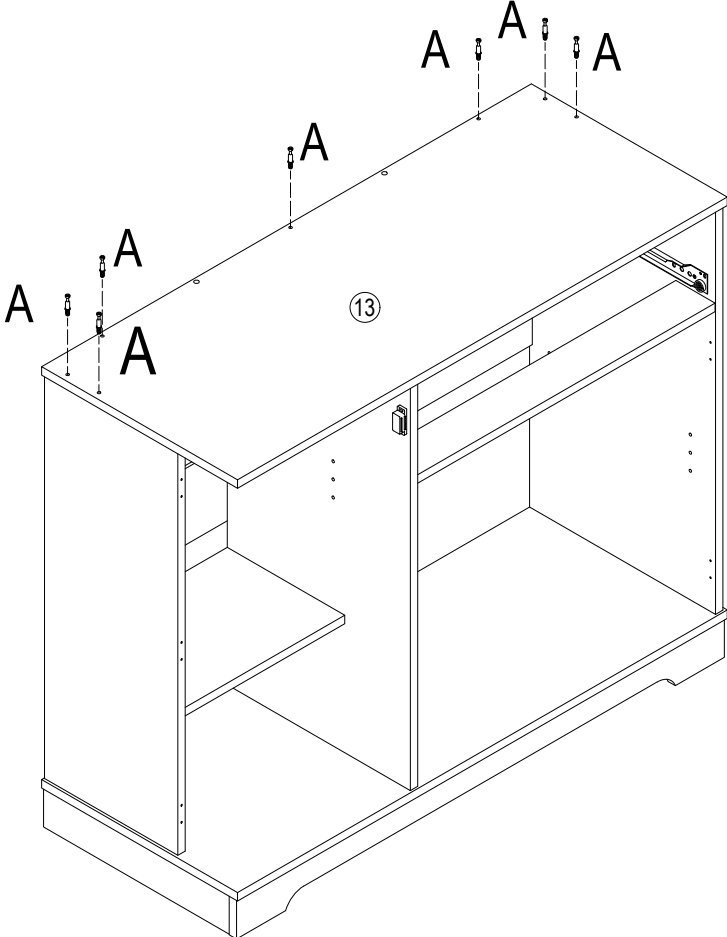



Step 21

B

X6

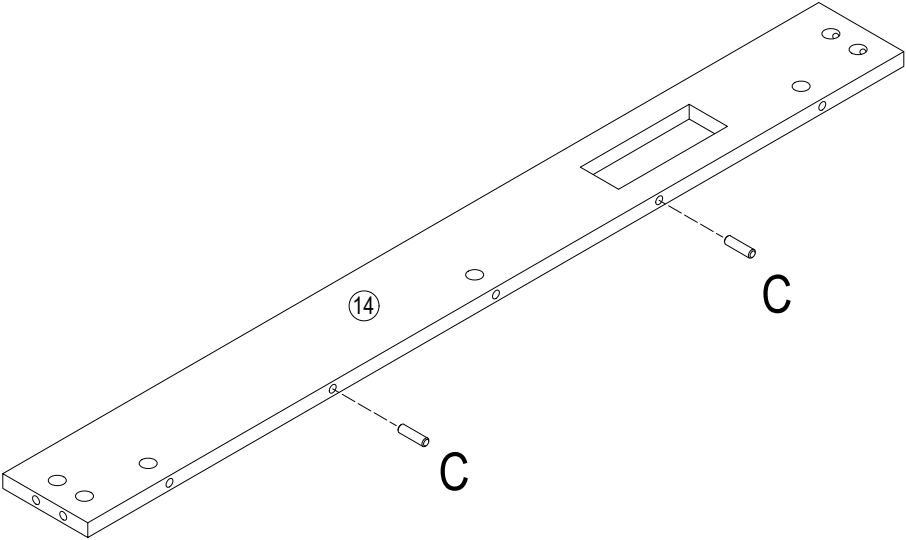



Step 22






A

X7

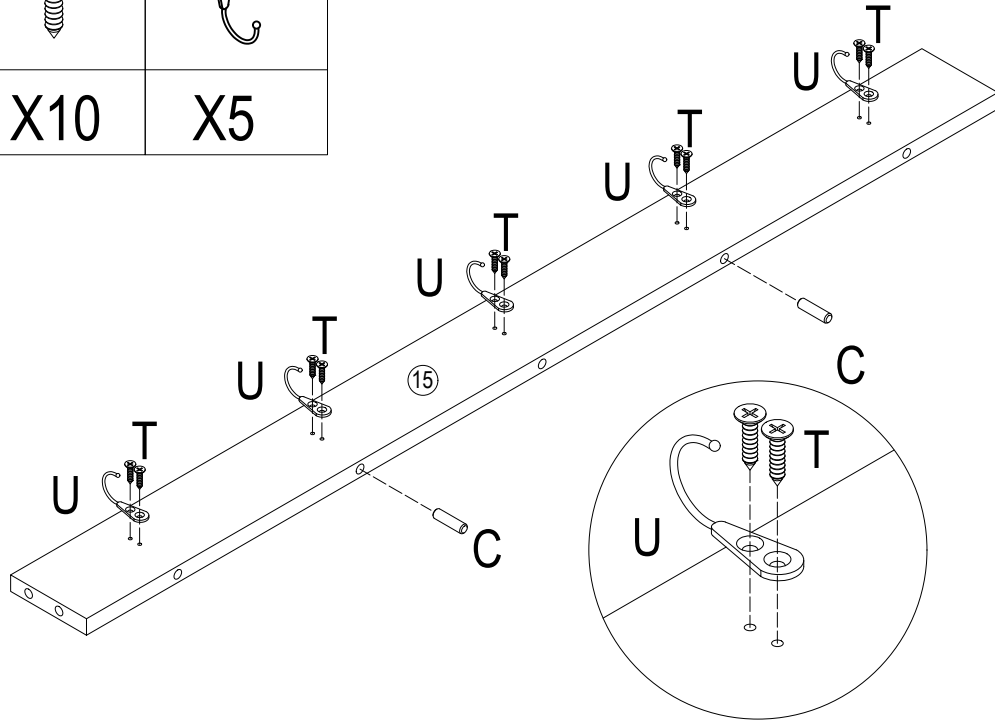
Step 23




C

X2

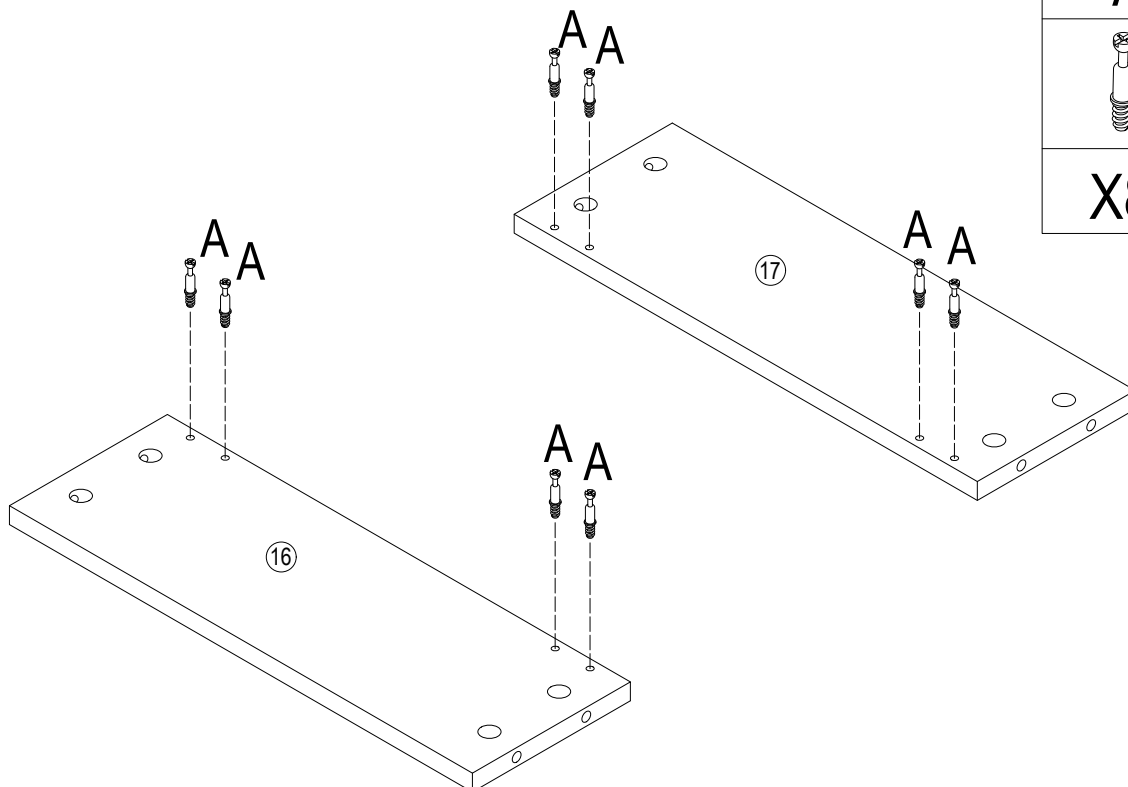
Step 24

C	T	U
		
X2	X10	X5



Step 25

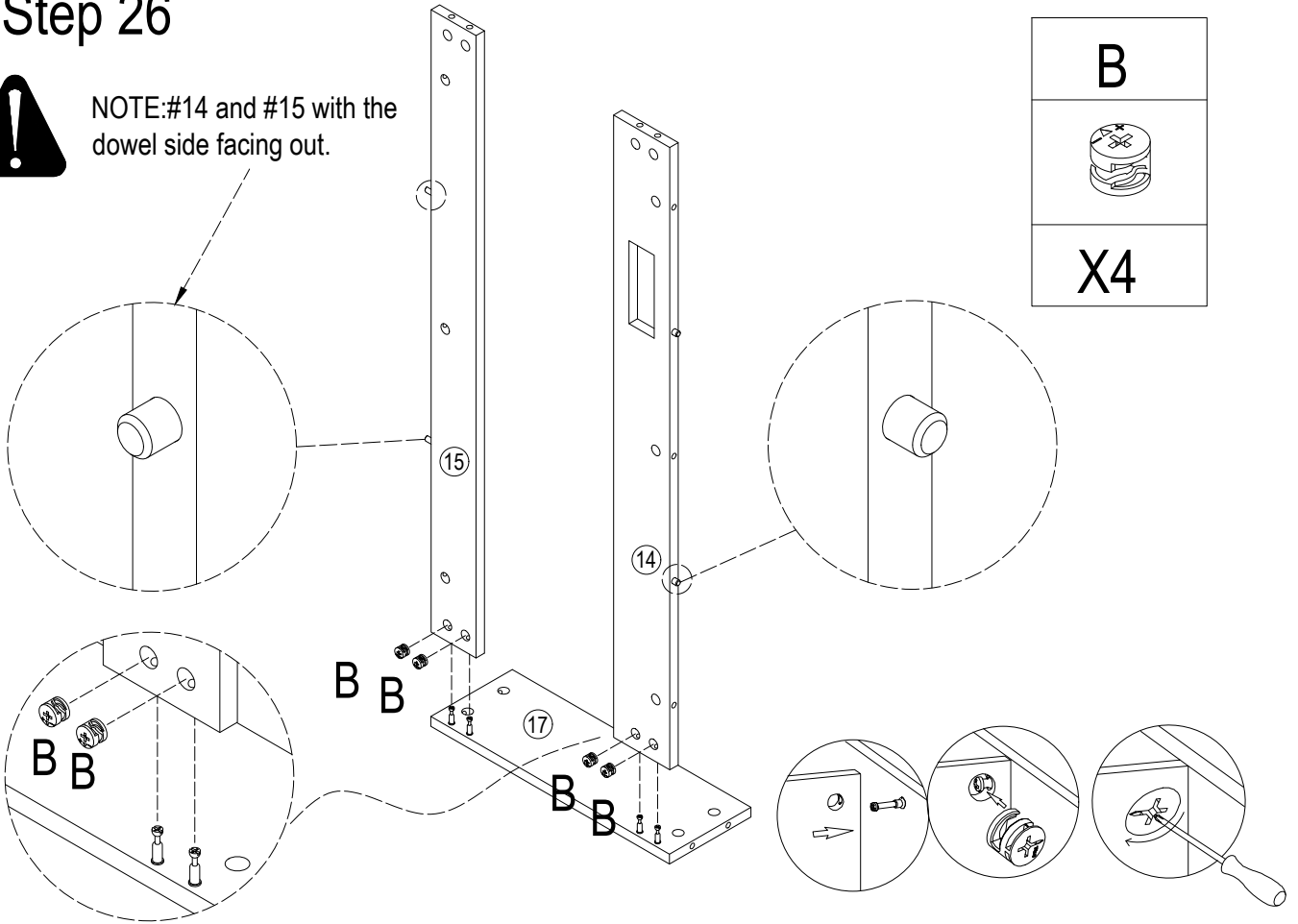
A

X8



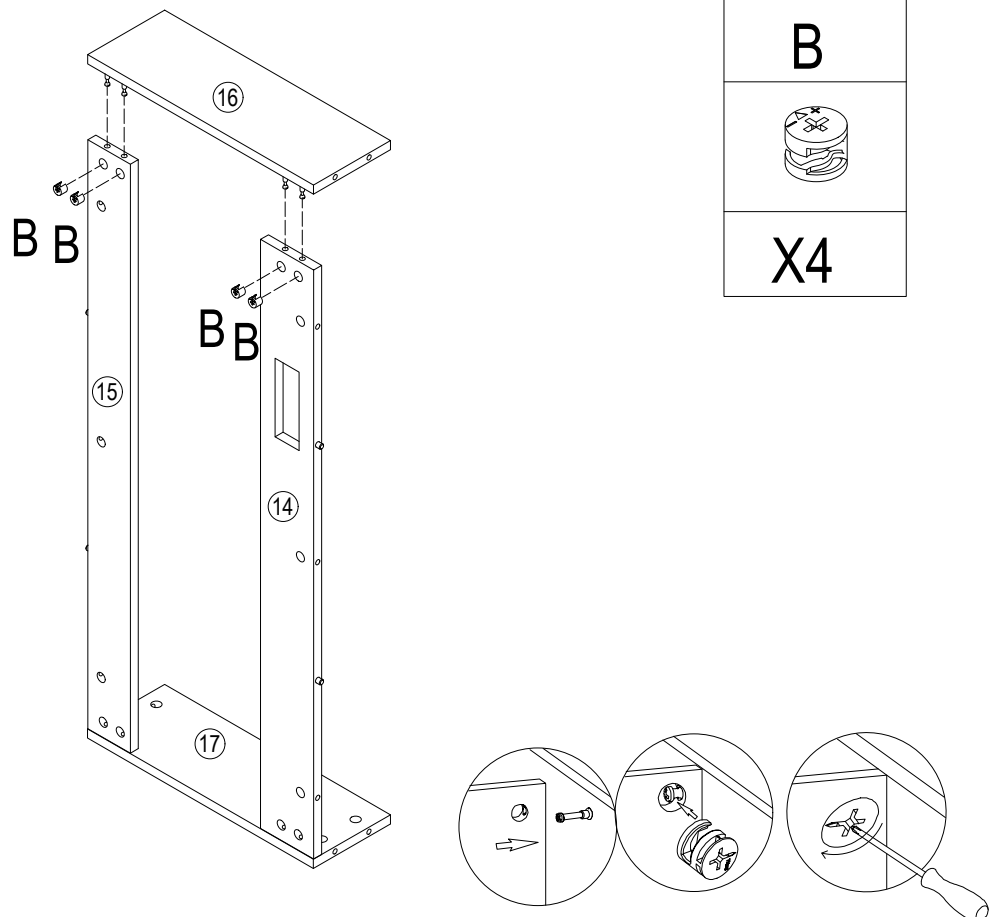
Step 26




NOTE:#14 and #15 with the dowel side facing out.

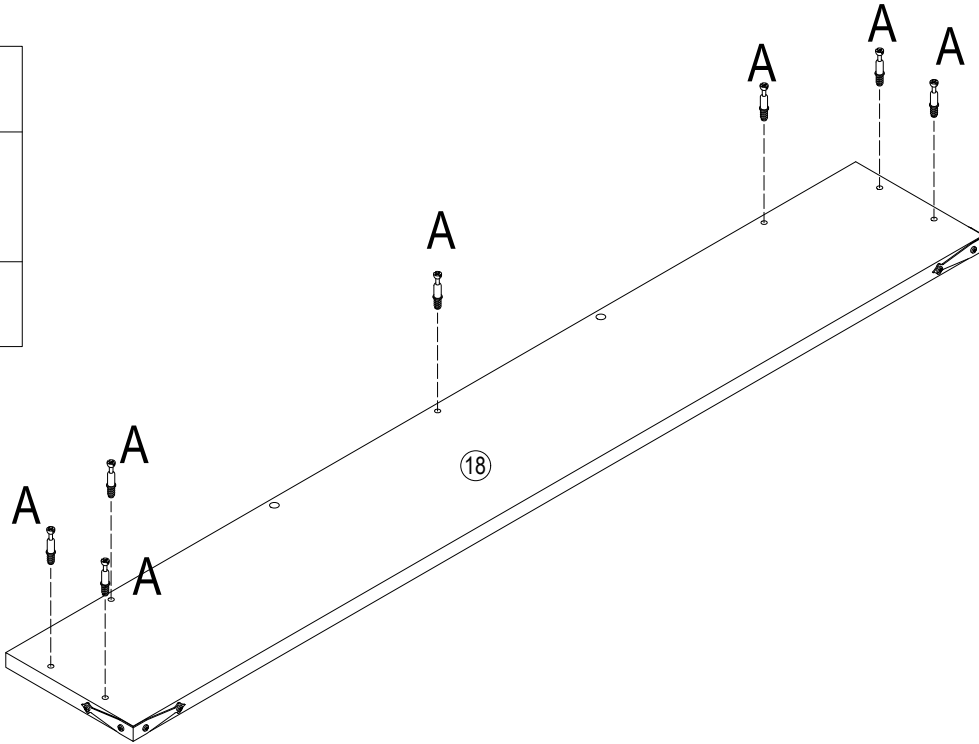


Step 27




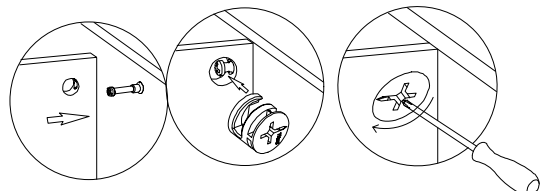
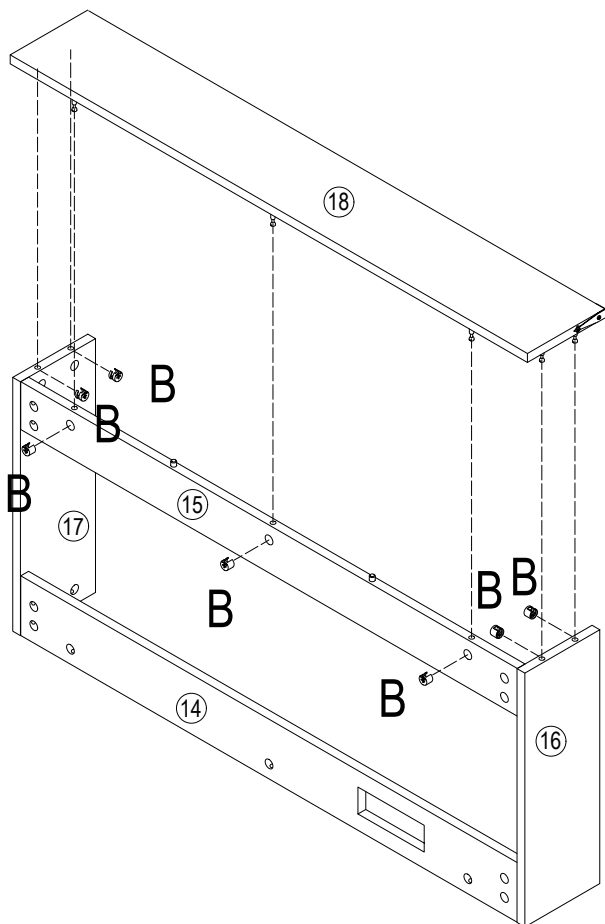
Step 28

A

X7

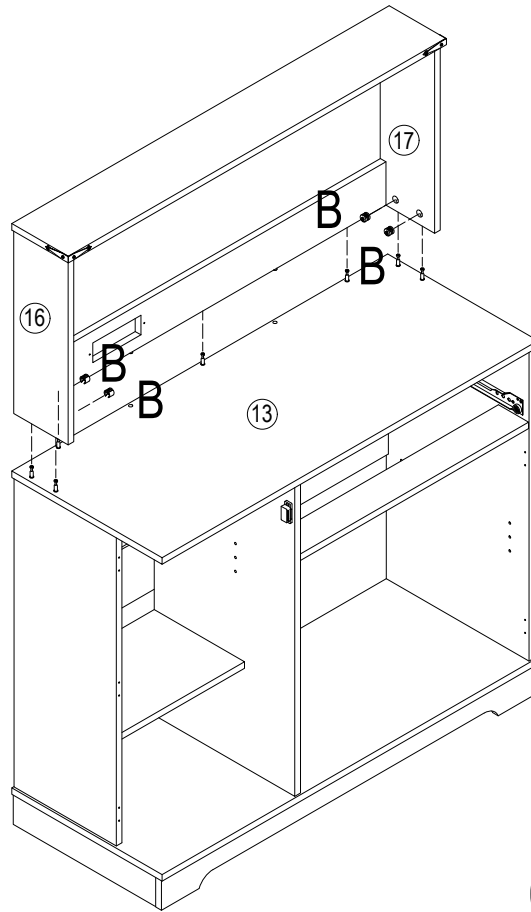



Step 29

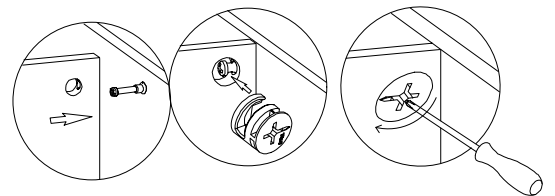
B

X7



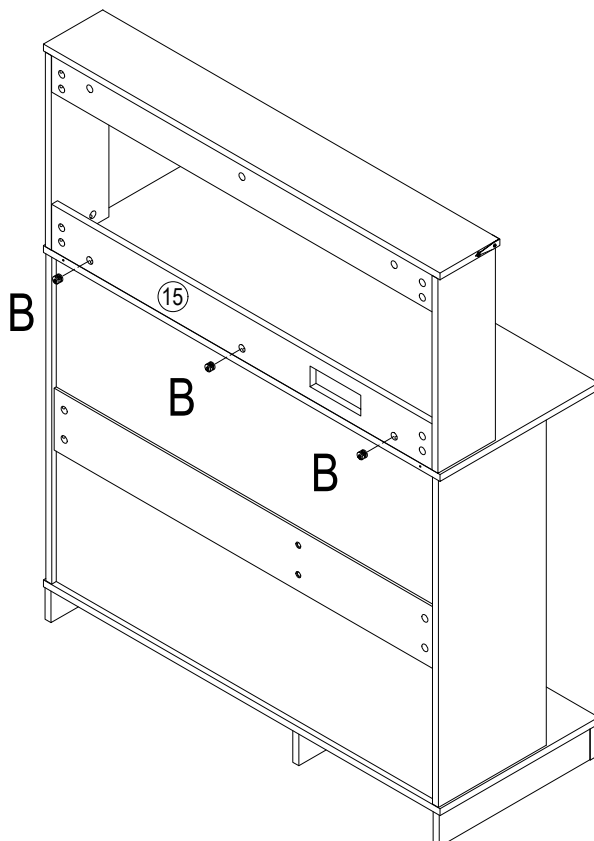
Step 30




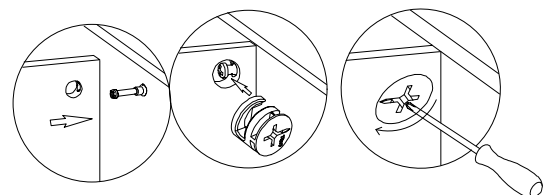
B

X4





Step 31

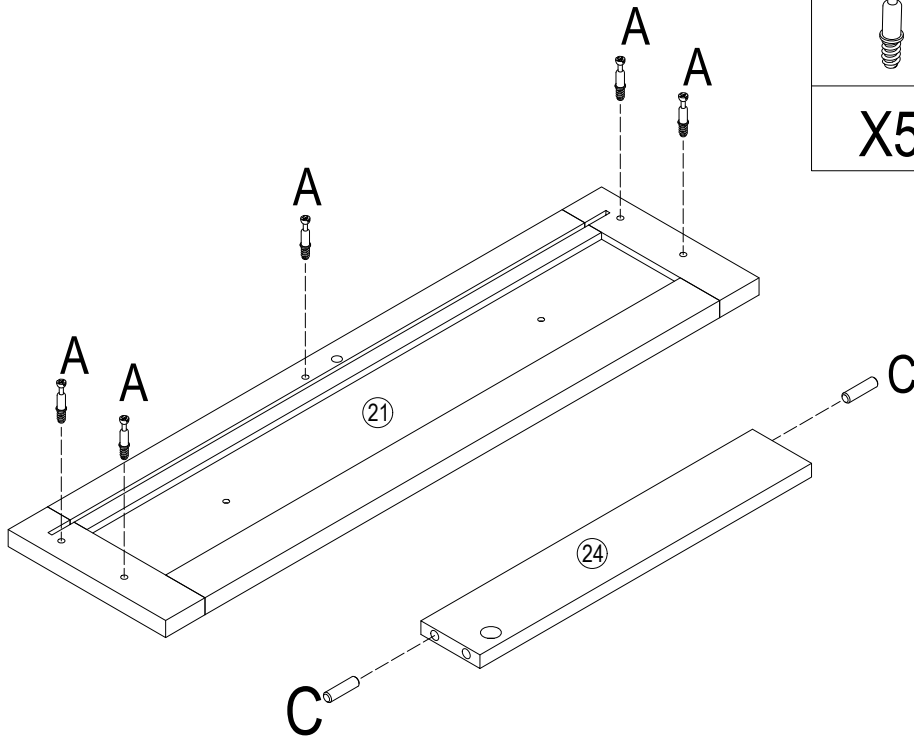


B

X3




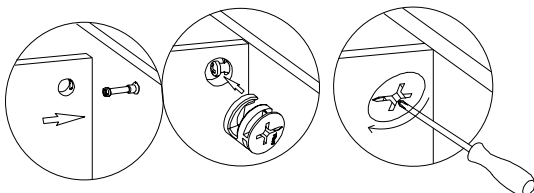
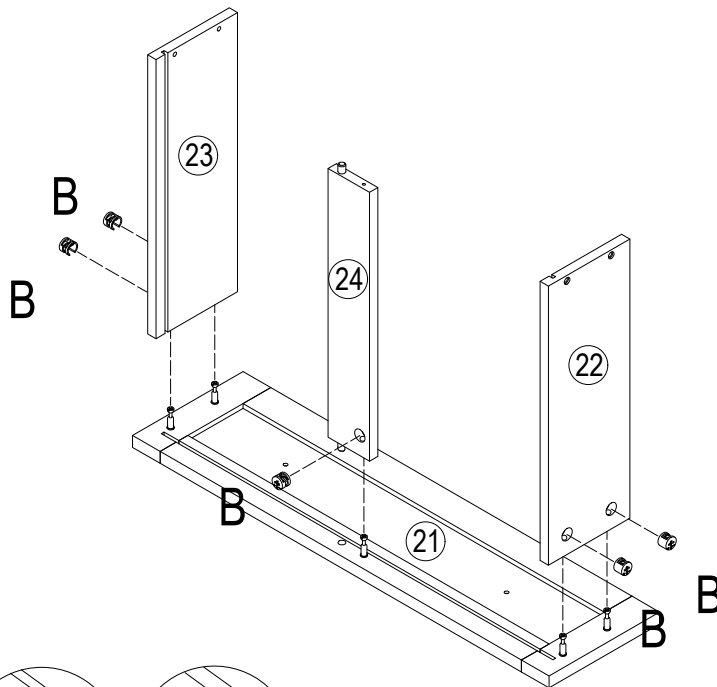
Step 32

A	C
	
X5	X2

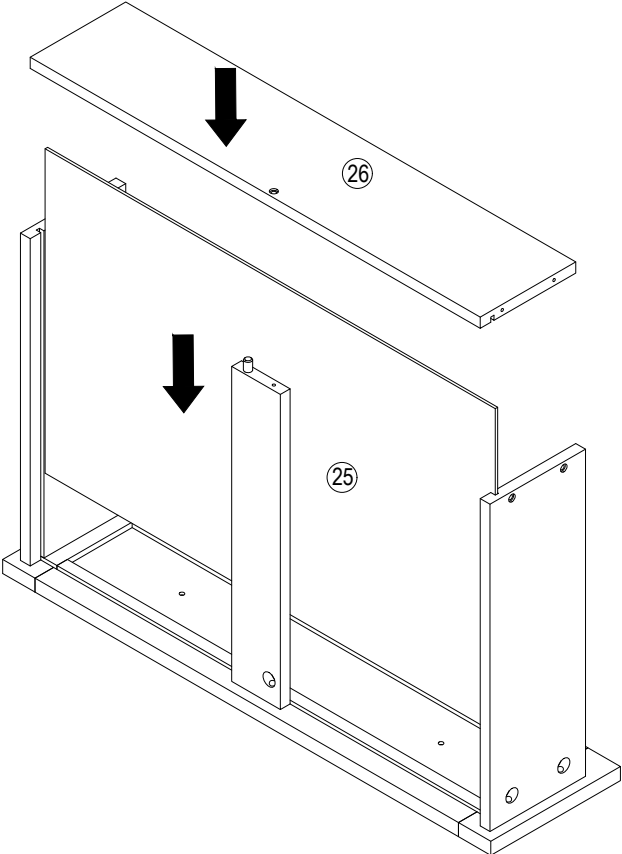


Step 33

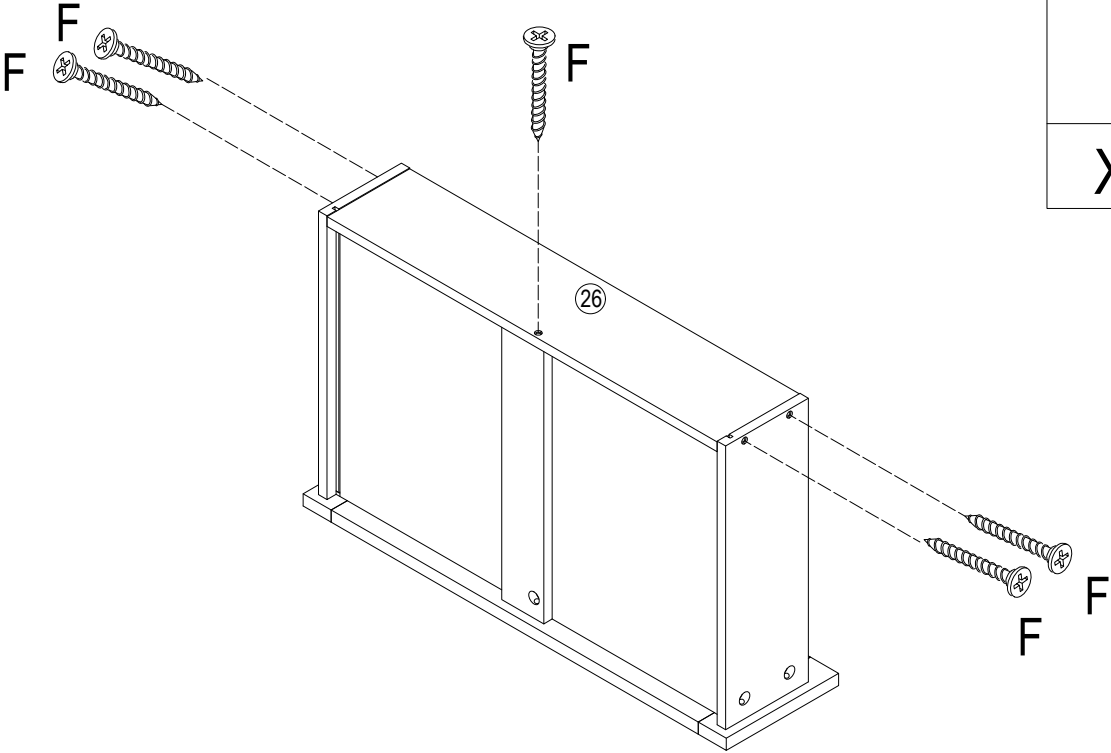
B

X5




Step 34



Step 35

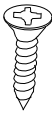
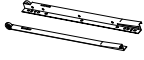


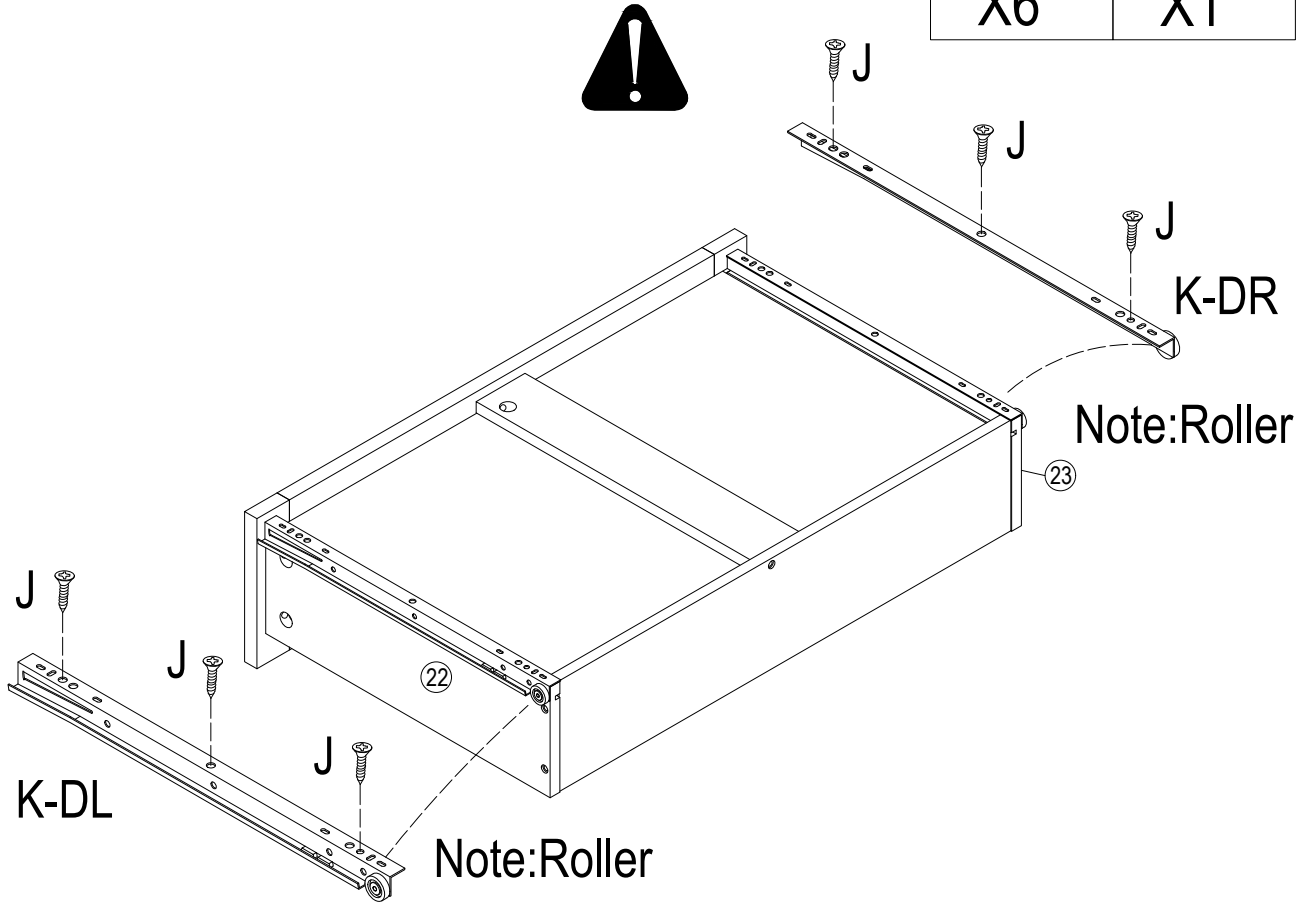
F

X5

Step 36

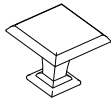

NOTE:

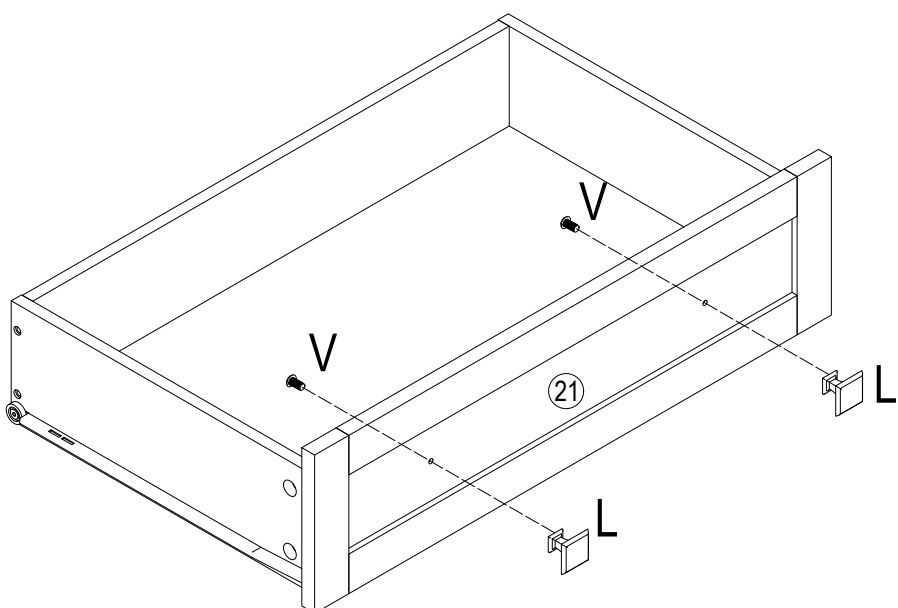
Refer to the images to identify K-DL(left) and K-DR (right).
 Attach K-DL to #22 panel and K-DR to #23 panel. [J] screws
 must go in the exact spots shown.

J	K
	
X6	X1

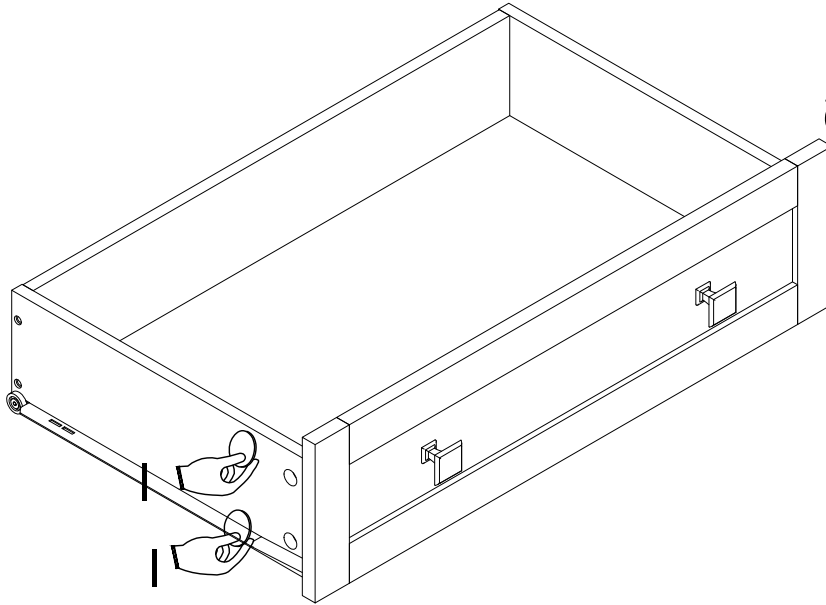



Step 37

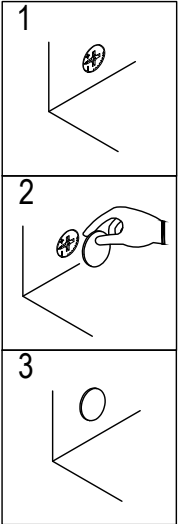
L	V
	
X2	X2



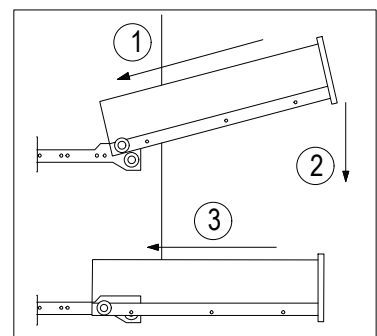
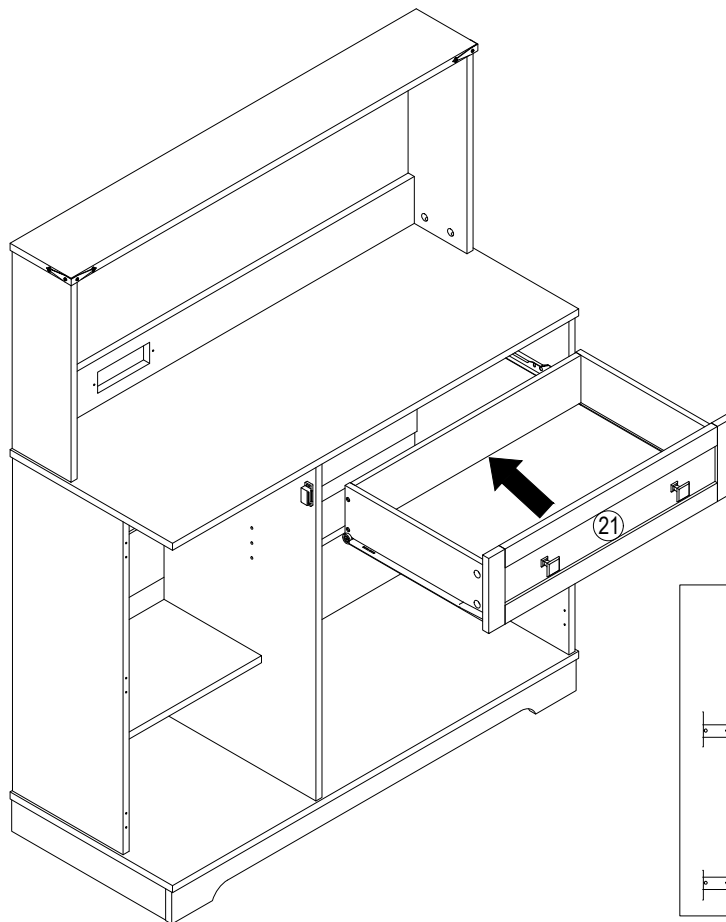
Step 38



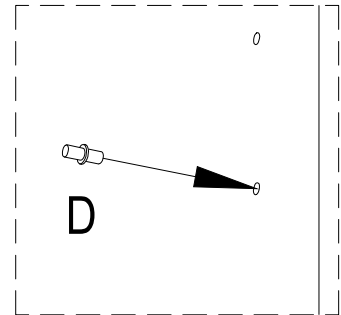
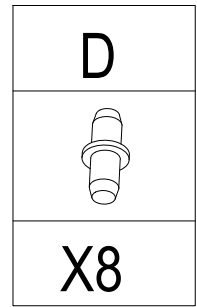
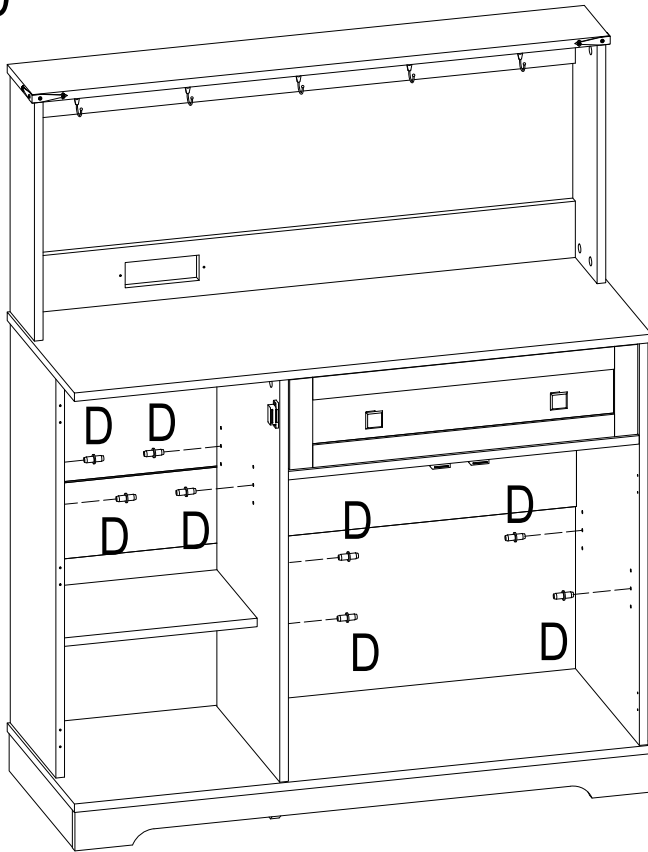
I

X4



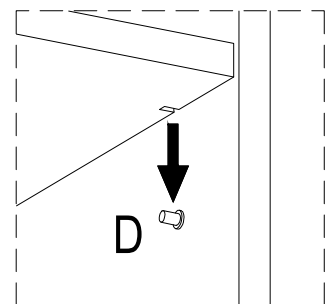
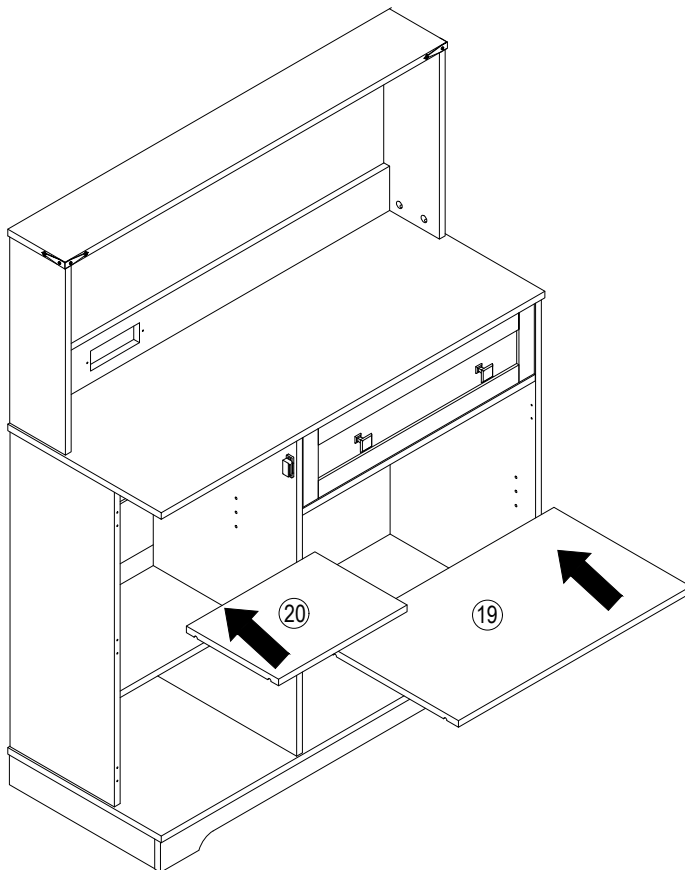
Step 39



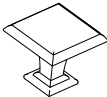
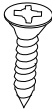
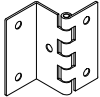
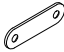

Step 40

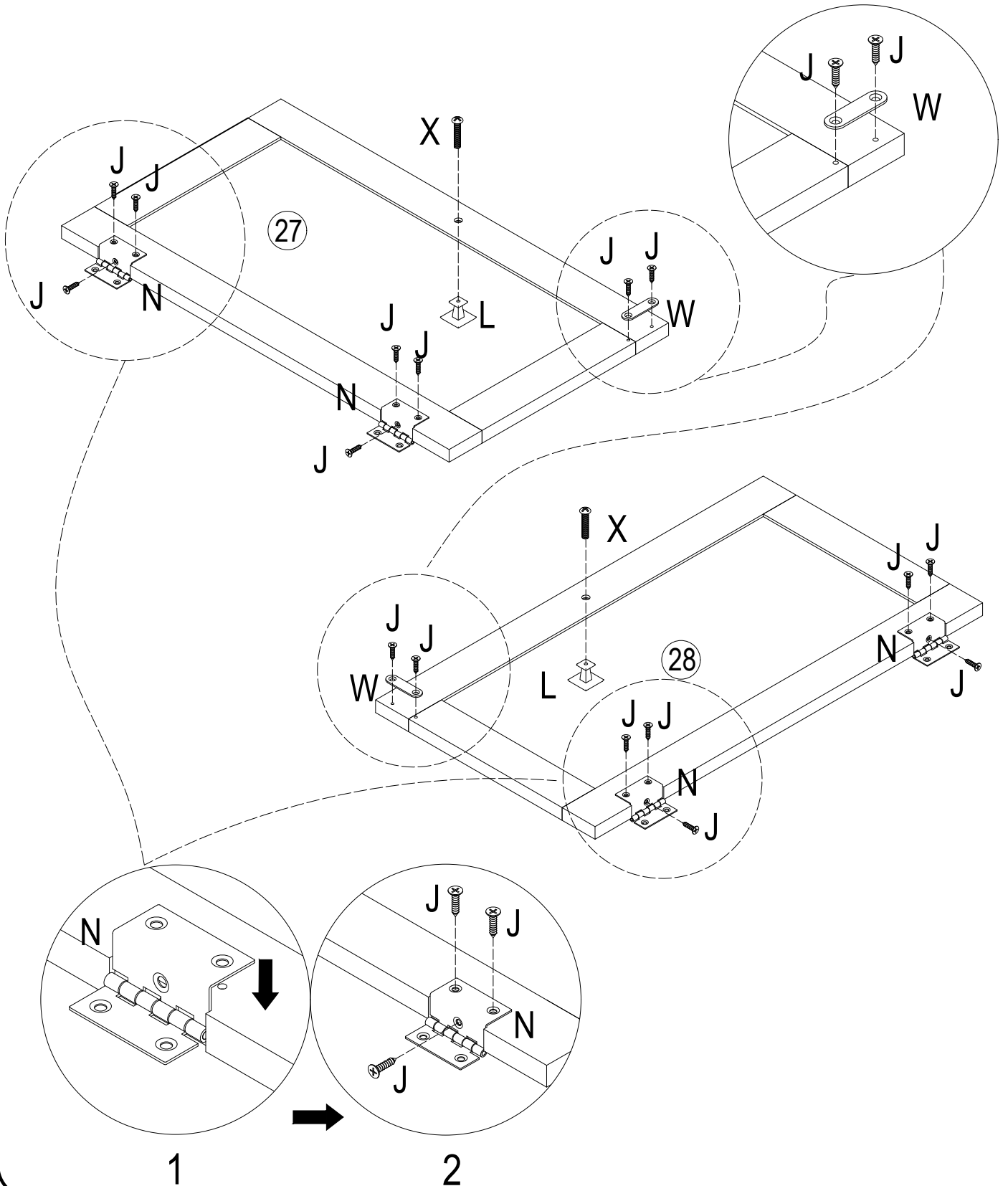


Step 41

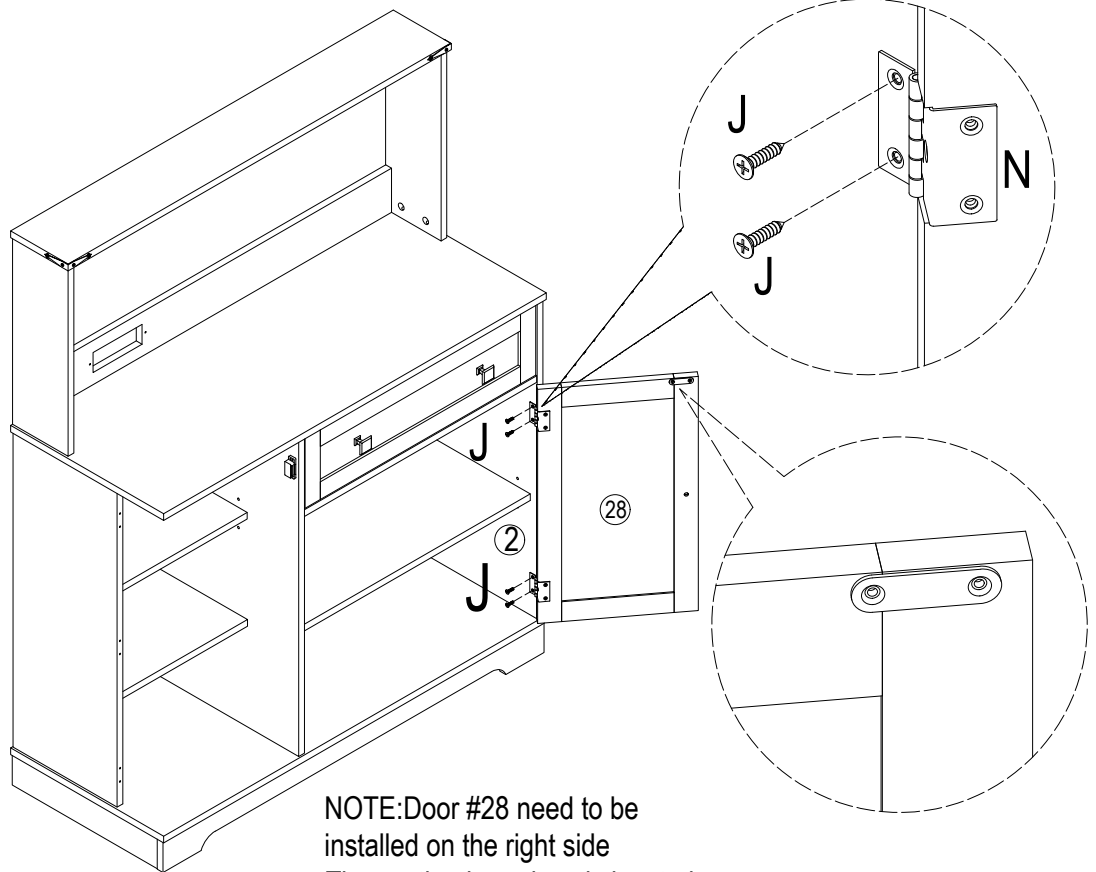
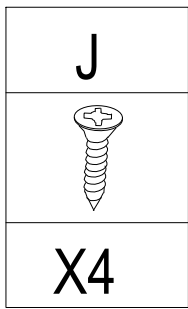


Step 42

L	J	N	W	X
				
X2	X16	X4	X2	X2

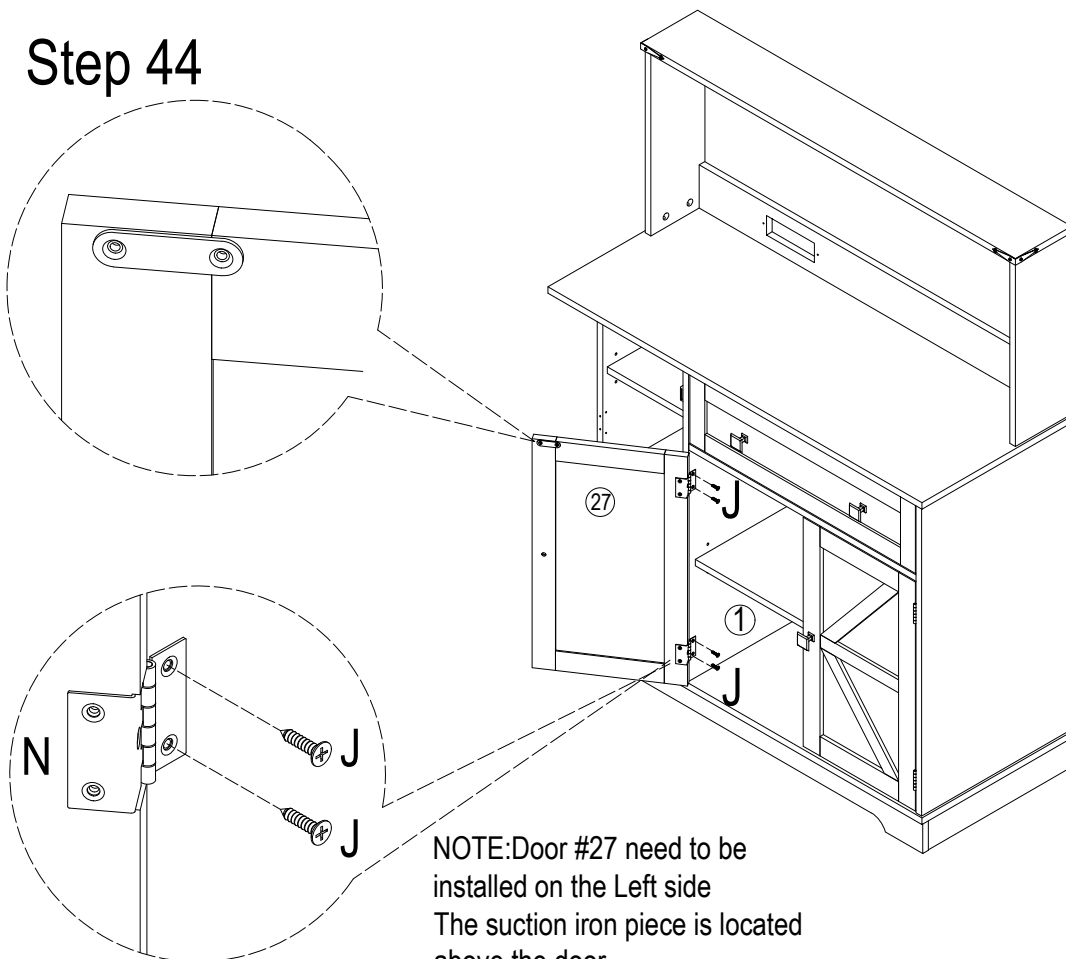
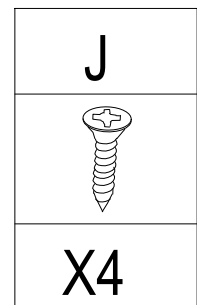


Step 43





NOTE: Door #28 need to be installed on the right side
The suction iron piece is located above the door.

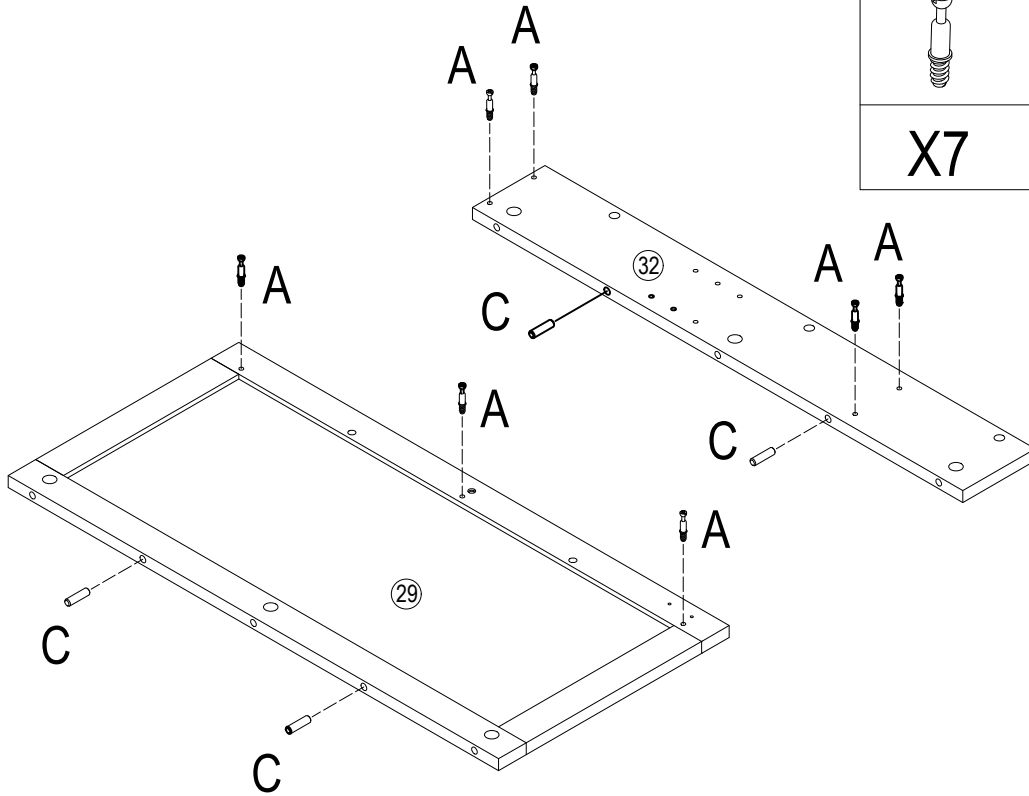
Step 44



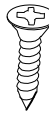
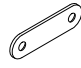
NOTE: Door #27 need to be installed on the Left side
The suction iron piece is located above the door.

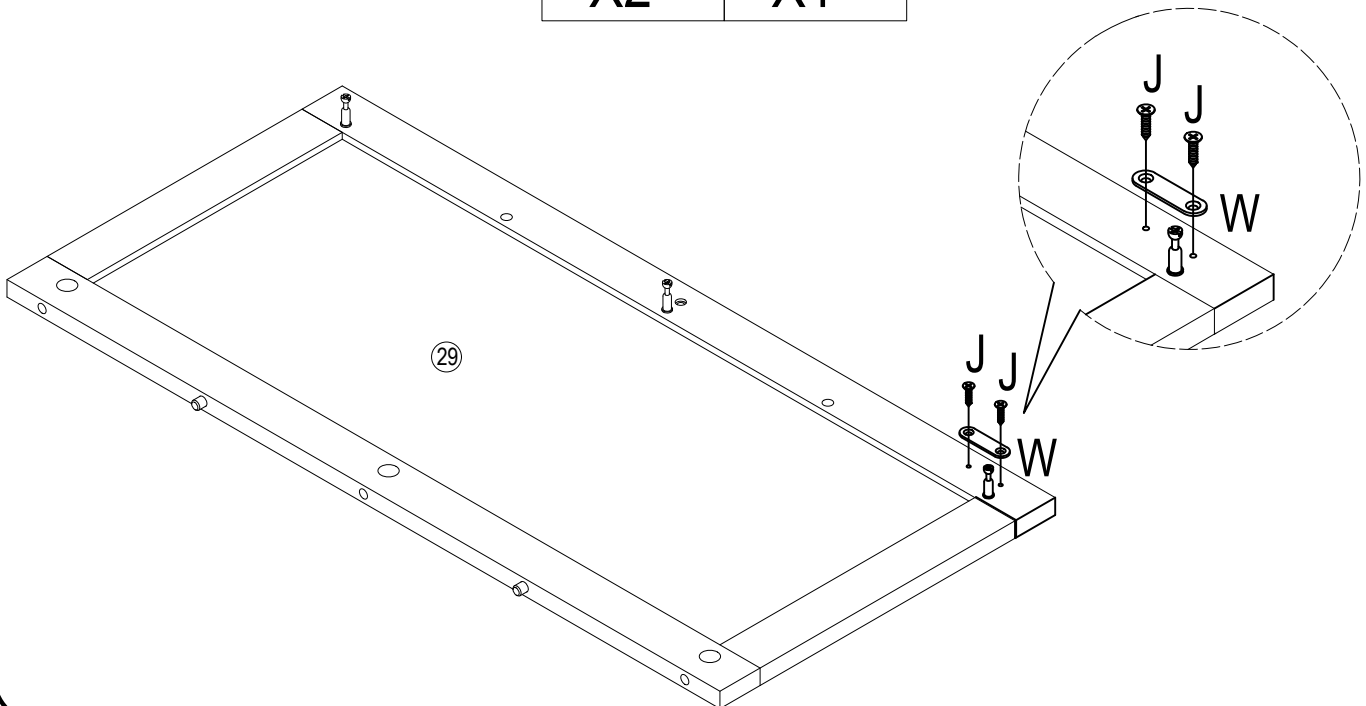
Step 45

A	C
	
X7	X4

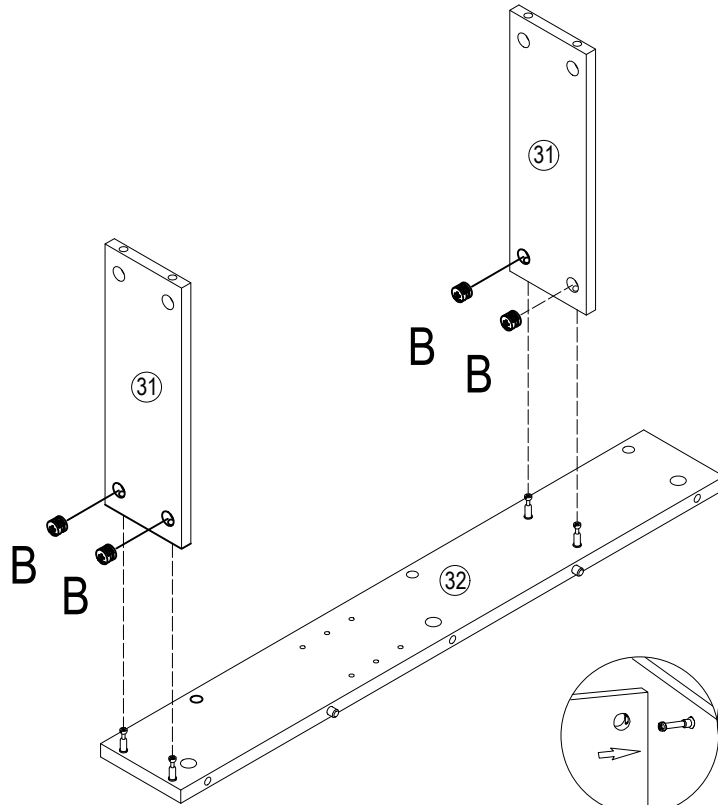


Step 46

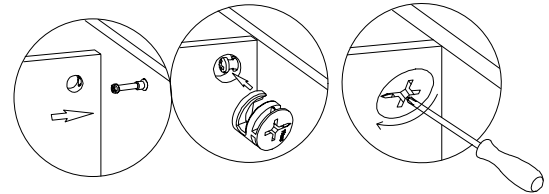
J	W
	
X2	X1



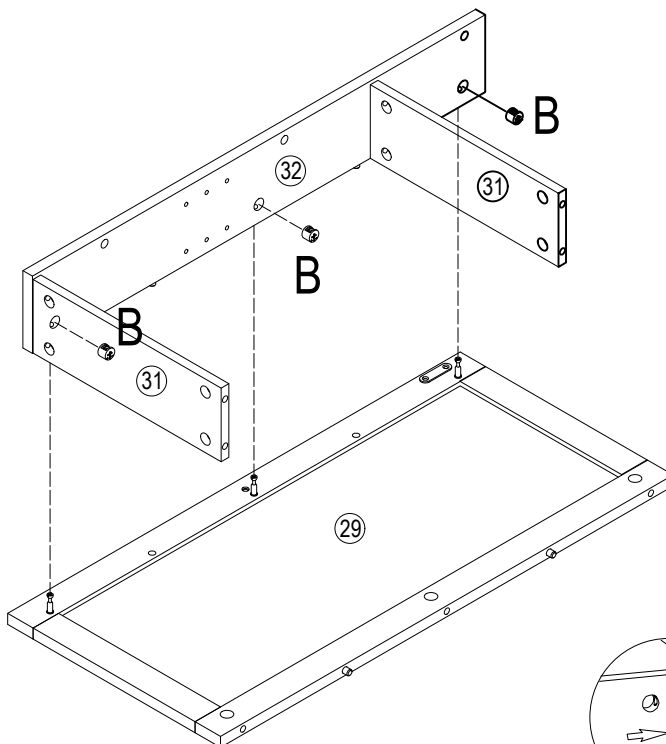
Step 47



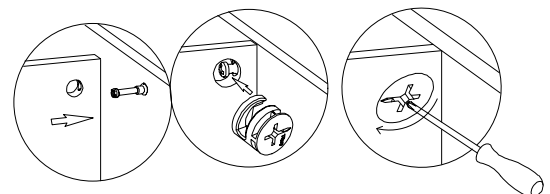
B
X4



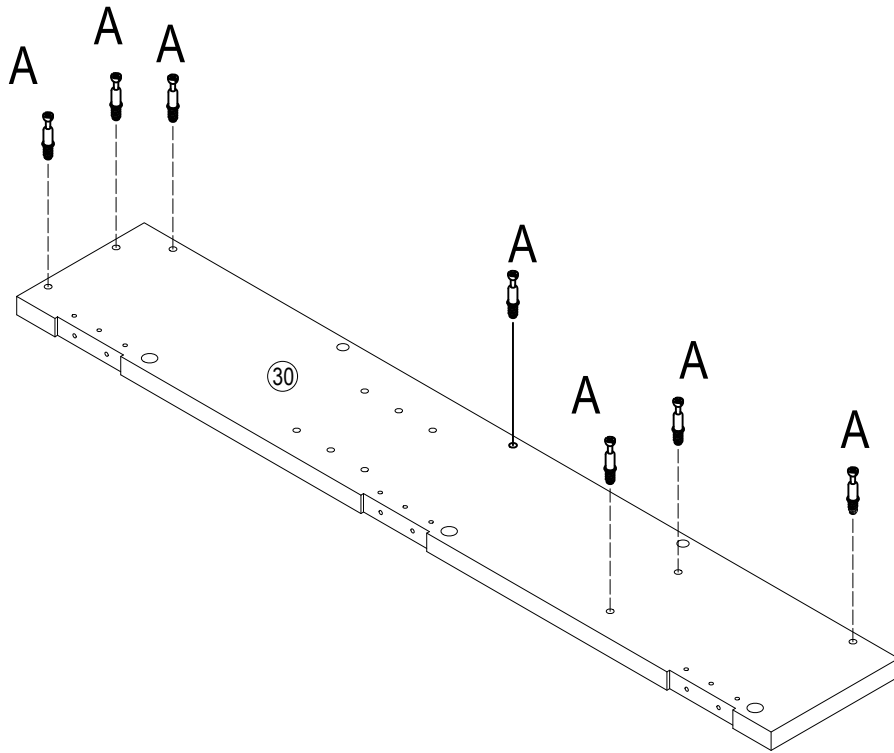
Step 48




B
X3

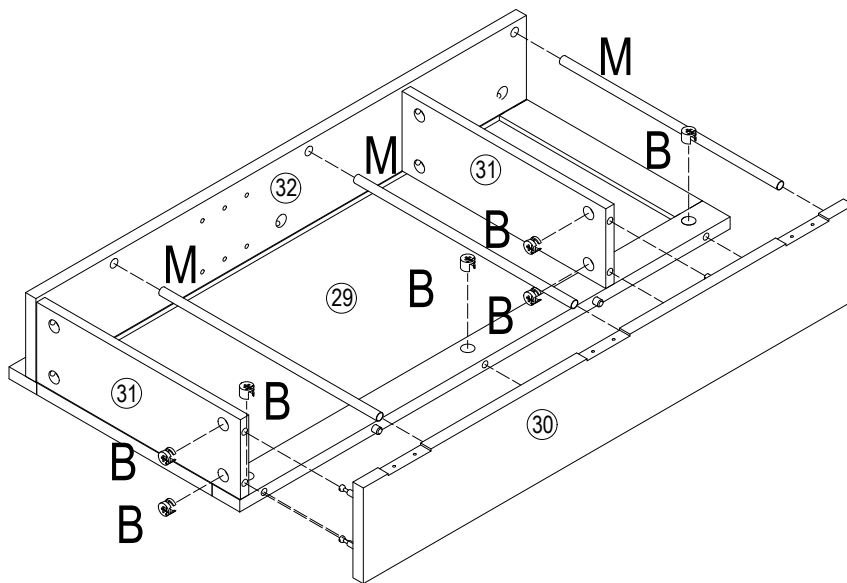




Step 49

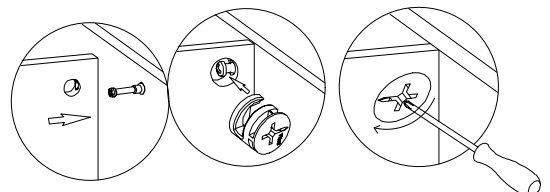


A

X7

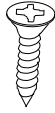
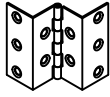
Step 50

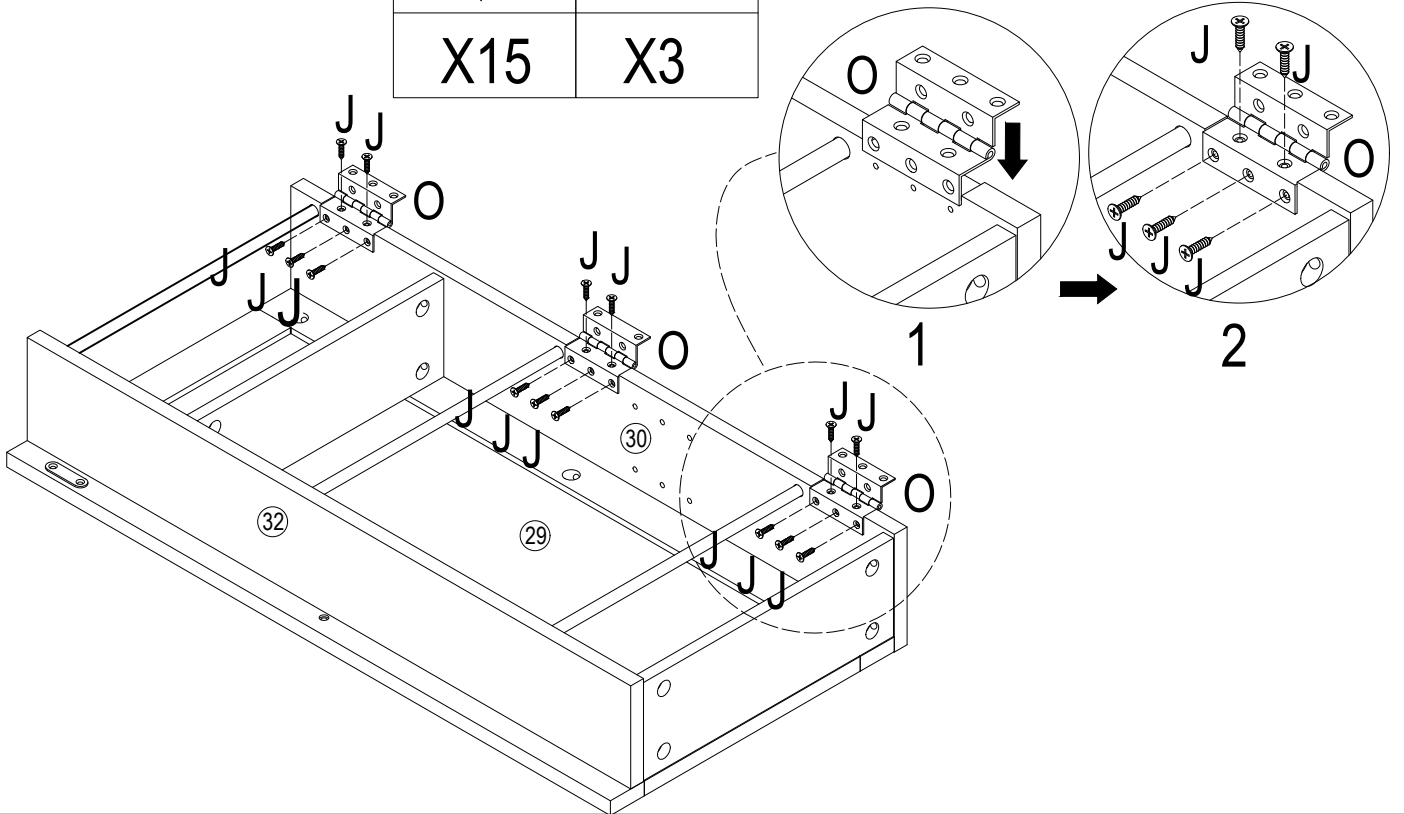


B

X7
M

X3

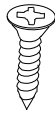


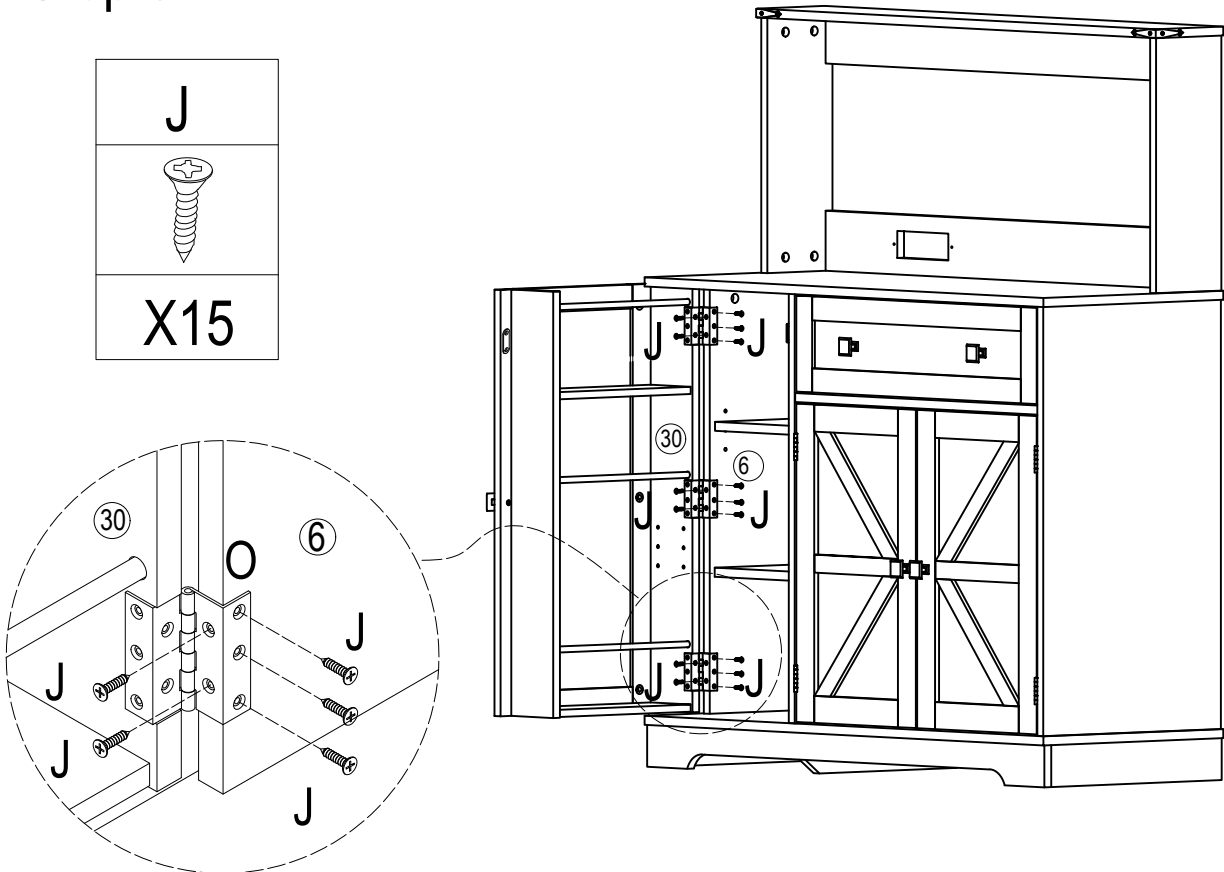
Step 51

J	O
	
X15	X3

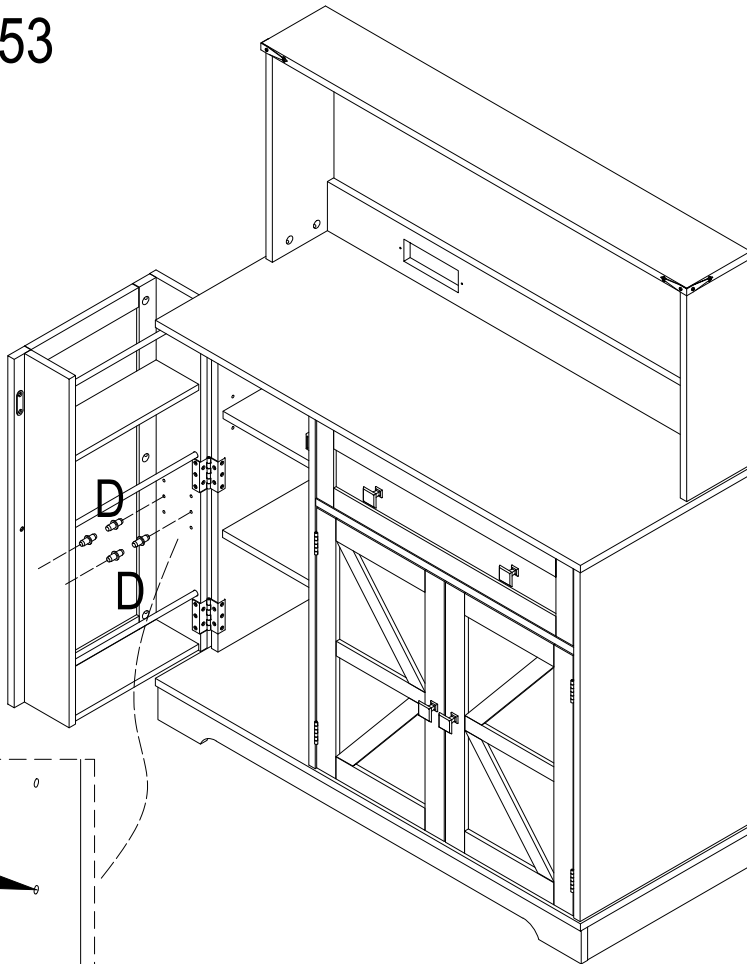


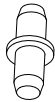
Step 52

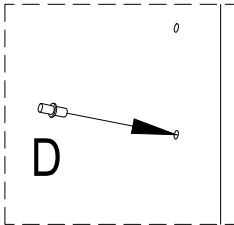
J

X15



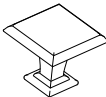

Step 53

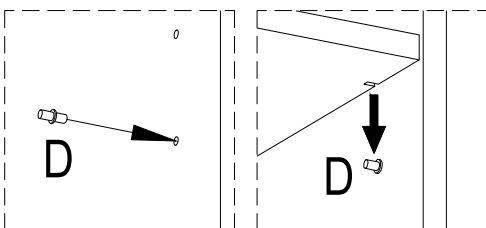
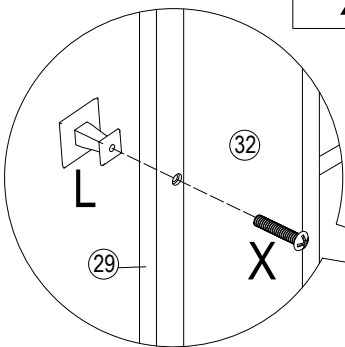
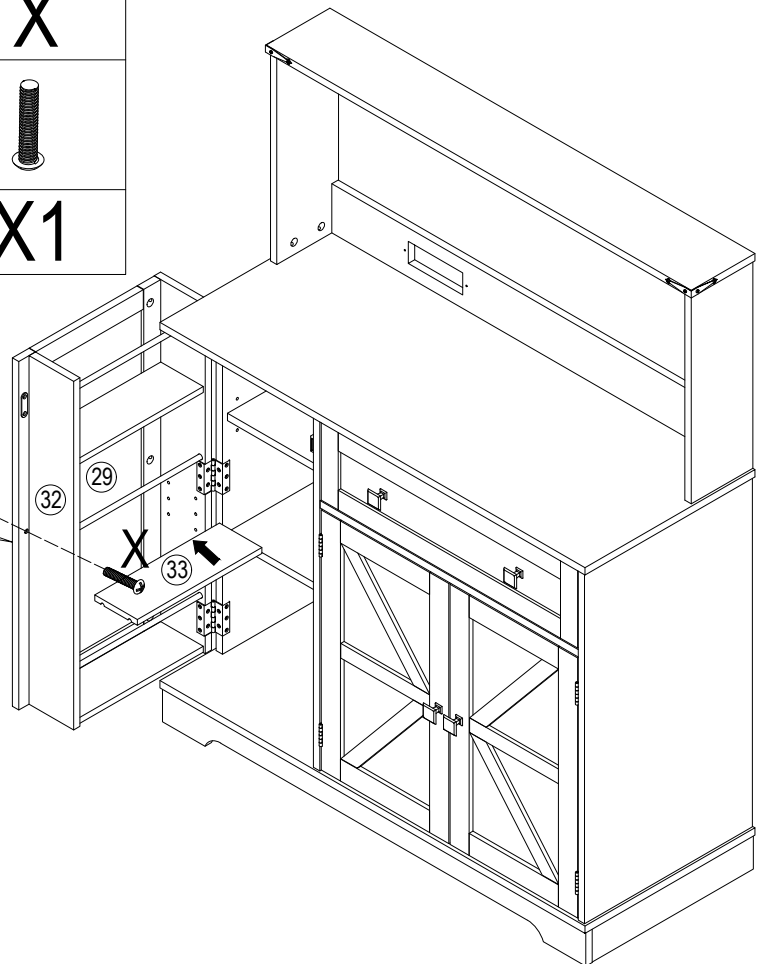


D

X4





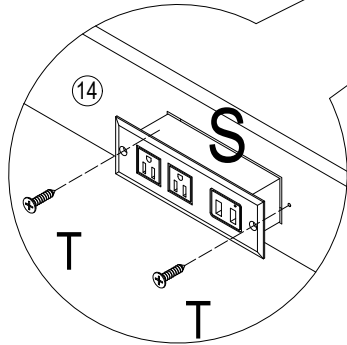
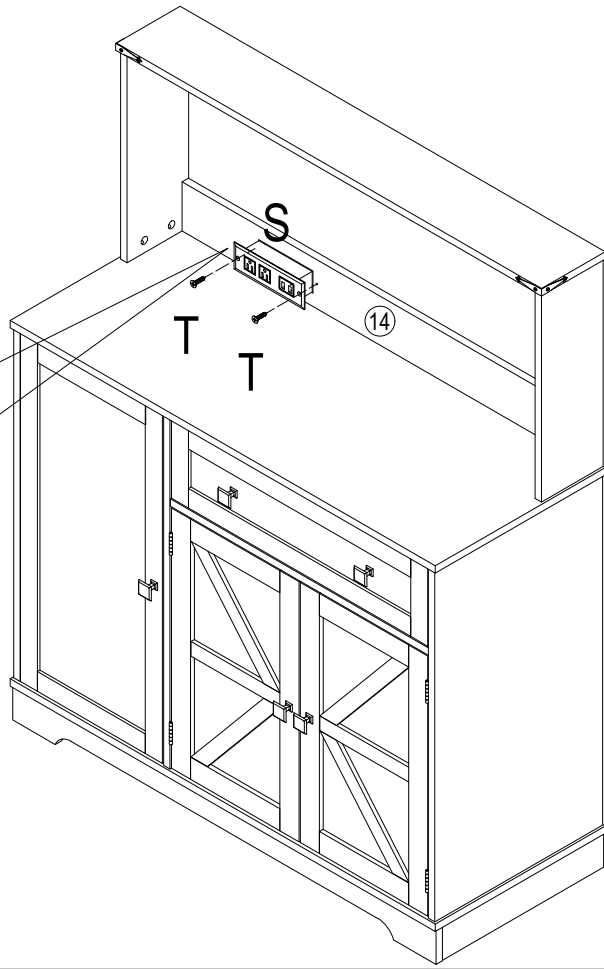
Step 54

L	X
	
X1	X1

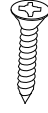
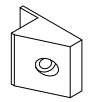


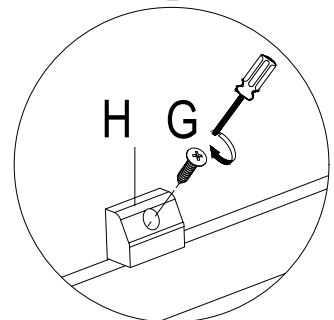
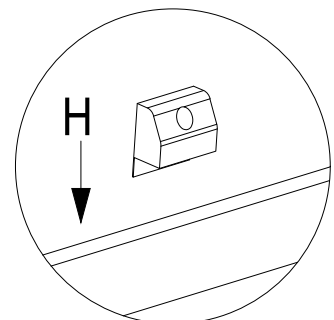
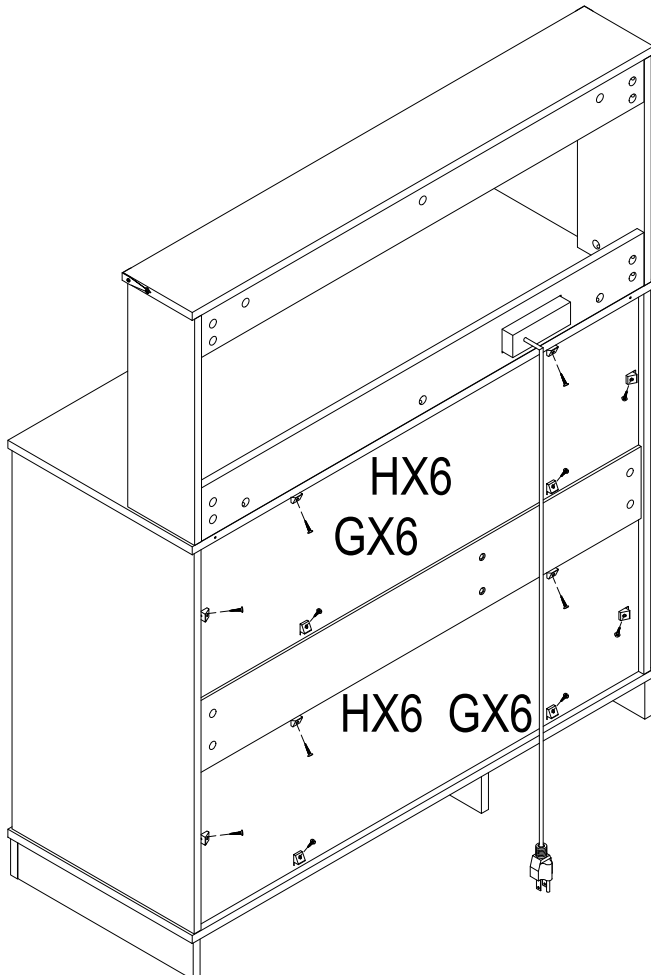
Step 55

S	T
	
X1	X2




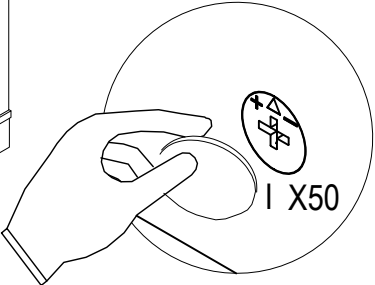
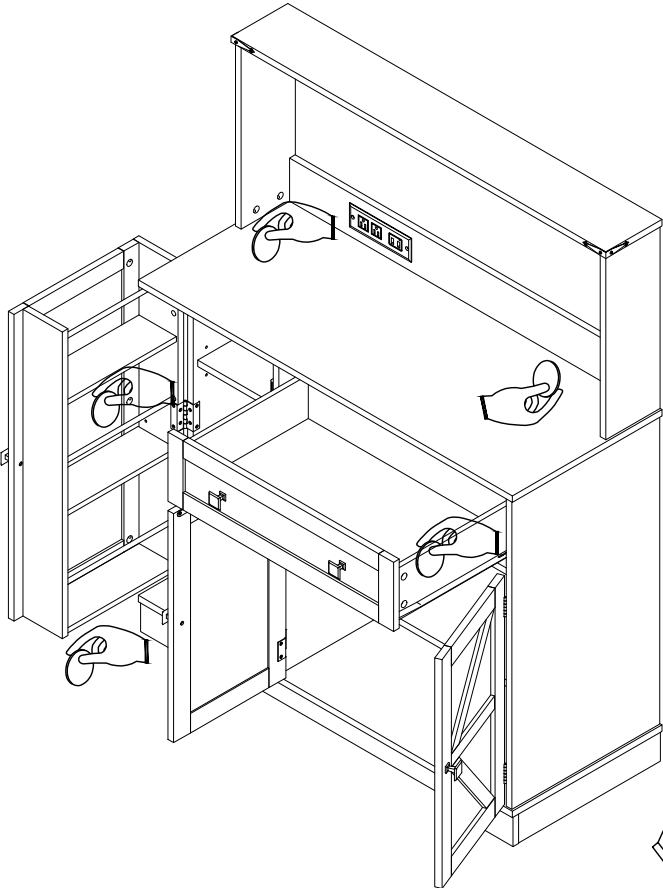
Step 56

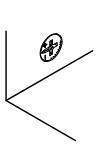

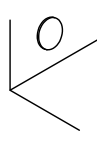
G	H
	
X12	X12

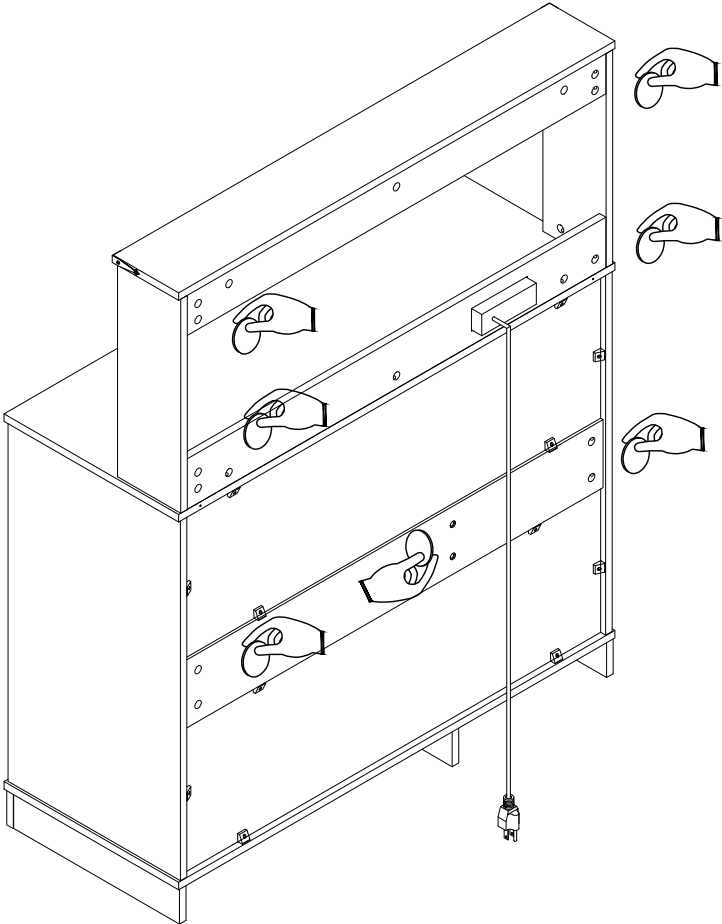


Step 57

I

X50



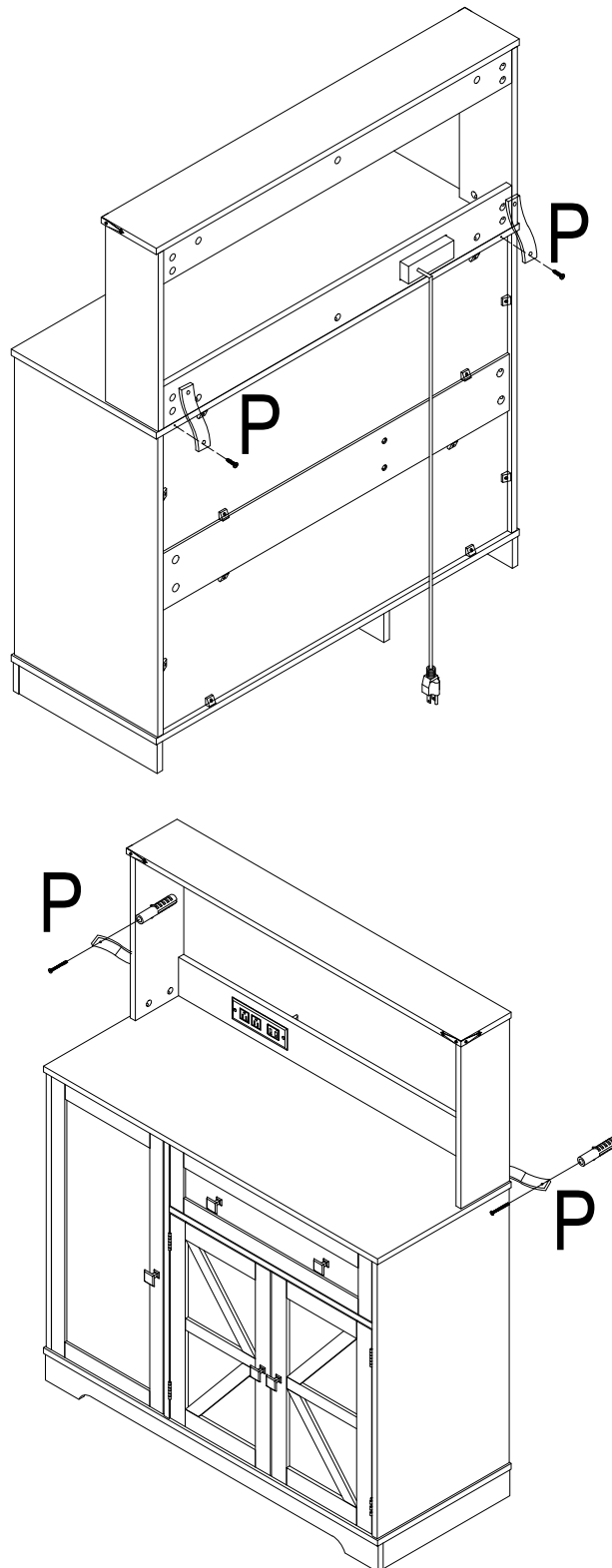
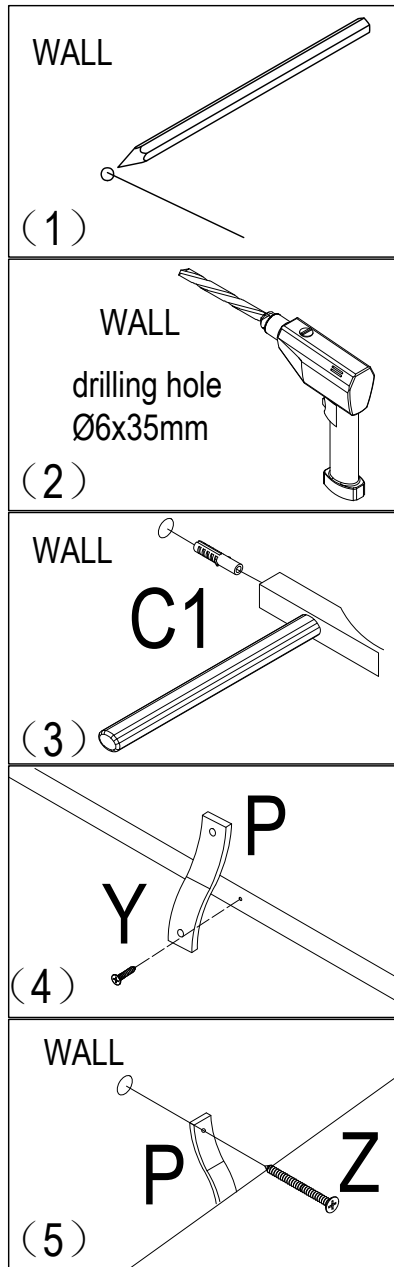
- 1 
- 2 
- 3 



Step 58

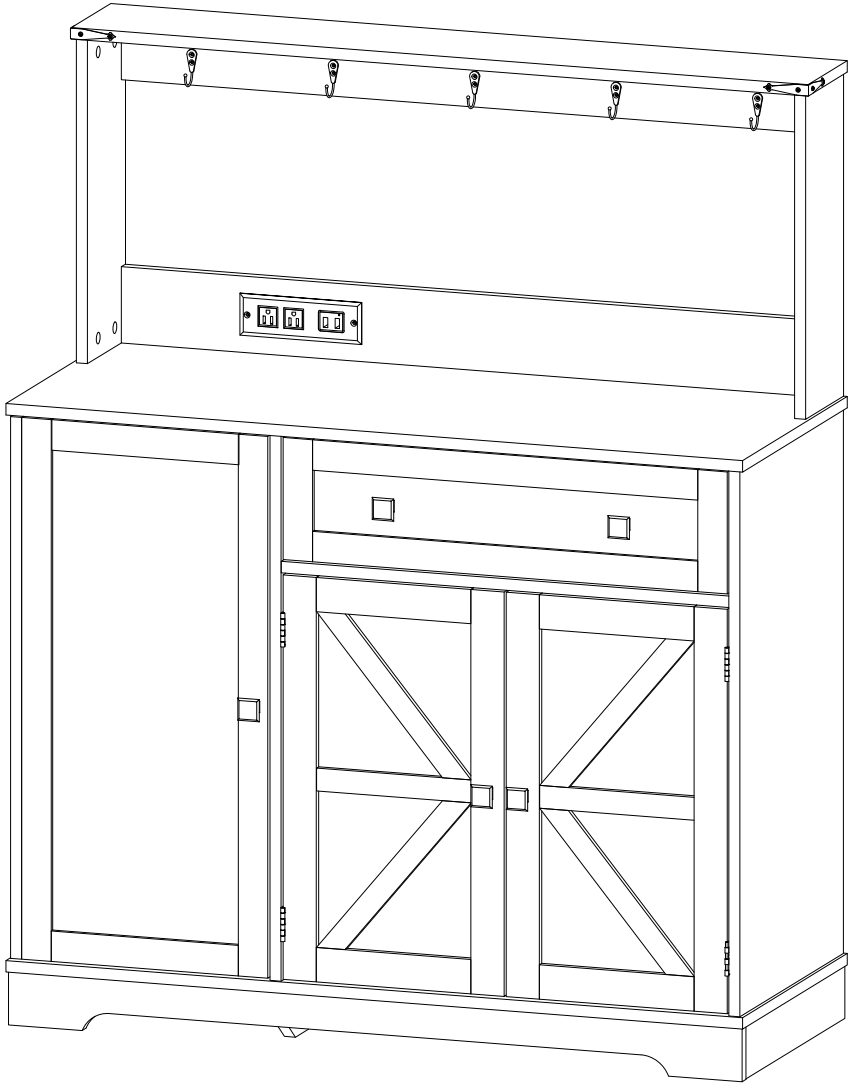


DANGER - To prevent furniture from toppling attach, mount, bolt or otherwise secure to walls and floors.
 Do not put heavy items on top shelves.
 Do not place unstable furniture near where children play.
 An anchor kit suitable for plaster walls is included with this item, if you require a different kit consult your nearest hardware store.



P
X2
Y
X2
Z
X2
C1
X2

Step 59



Assembly is complete.