

## **INTRODUCTION**

Thank you for choosing the STORAGE CABINET. Please read this user manual carefully and keep it for future reference. If you need any assistance, please contact us by email with your order number and details.

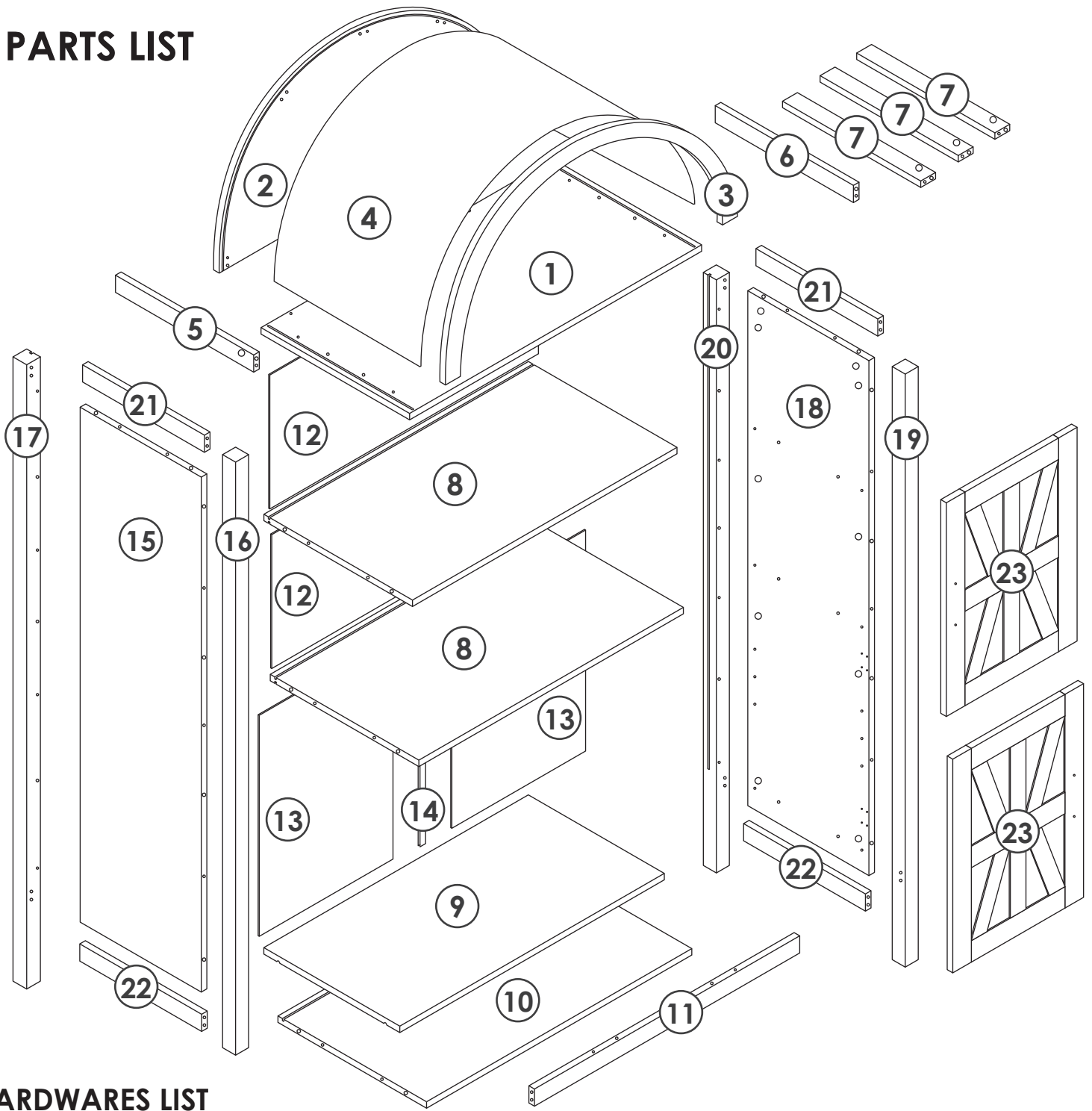
## **PACKAGE CONTENTS**

- STORAGE CABINET
- Pack of Accessories
- User Manual

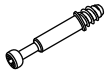

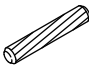




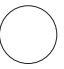

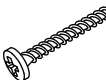

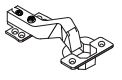

## **PRODUCT CARE**

- Please follow the instruction to assemble this item correctly.
- Don't make the screws be too loose or too tight.
- Please put the screws into the holes' position just as shown in the arrows of the image, and then clockwise rotate 90° or 180°
- The fittings pack contains small accessories that should be kept away from small children.

# PARTS LIST



## HARDWARES LIST

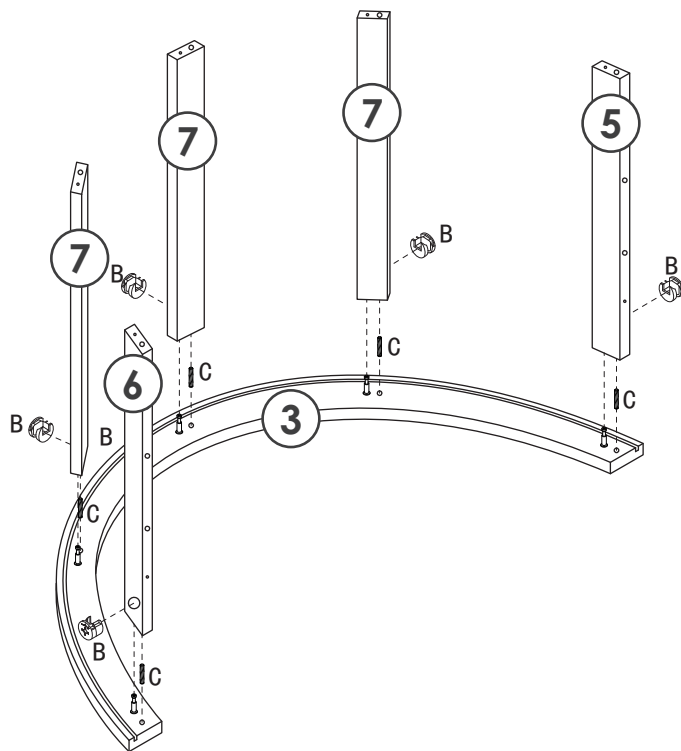
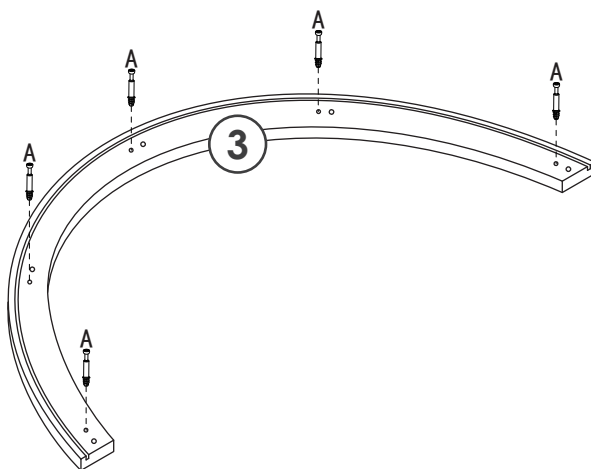
<b>A</b> 6×35mm  ×37	<b>B</b> 15×10mm  ×37	<b>C</b> 6×30mm  ×66	<b>D</b> 4×35mm  ×12	<b>E</b> 4×12mm  ×24	<b>F</b> 4×18mm  ×4
<b>G</b>  ×2	<b>H</b>  ×20	<b>I</b> 3×14mm  ×12	<b>J</b> 4×35mm  ×2	<b>K</b>  ×4	<b>L</b>  ×4
<b>M</b>  ×12					

YOU WILL NEED

A x5

B x5

C x5

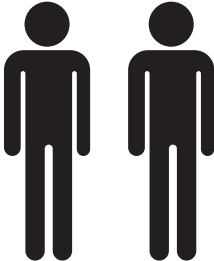
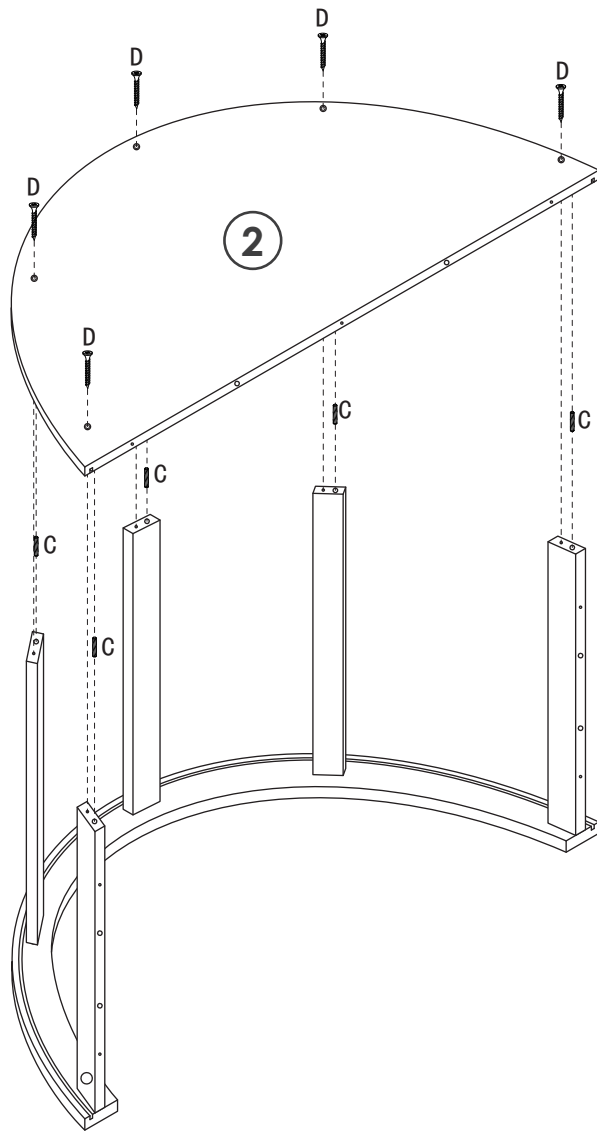


2

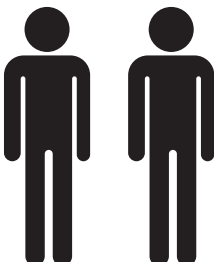
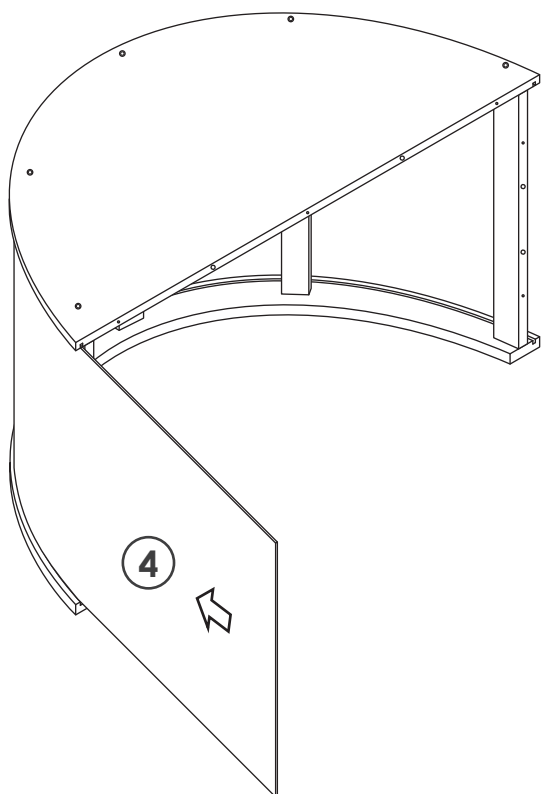
YOU WILL NEED

C x5

D x5



**NOTE:** This step to be accomplished by two persons

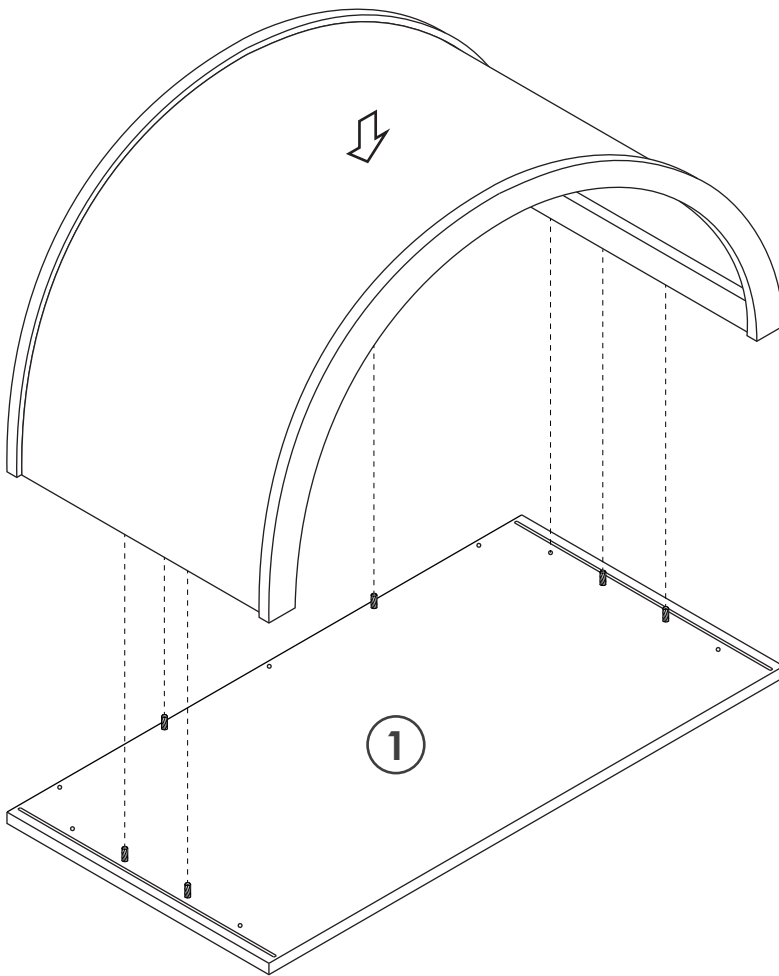
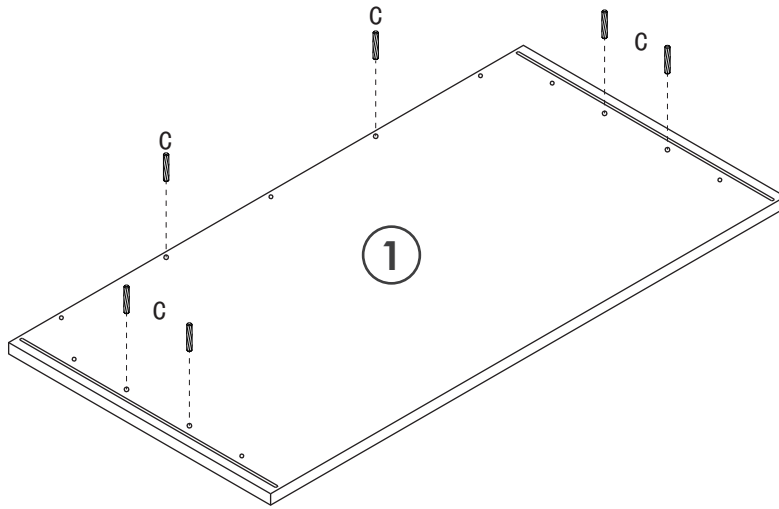


**NOTE:** This step to be accomplished by two persons

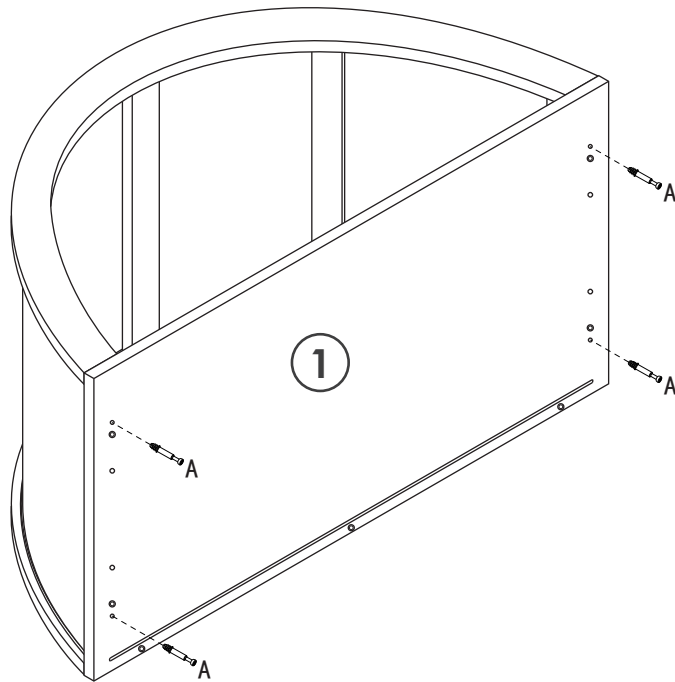
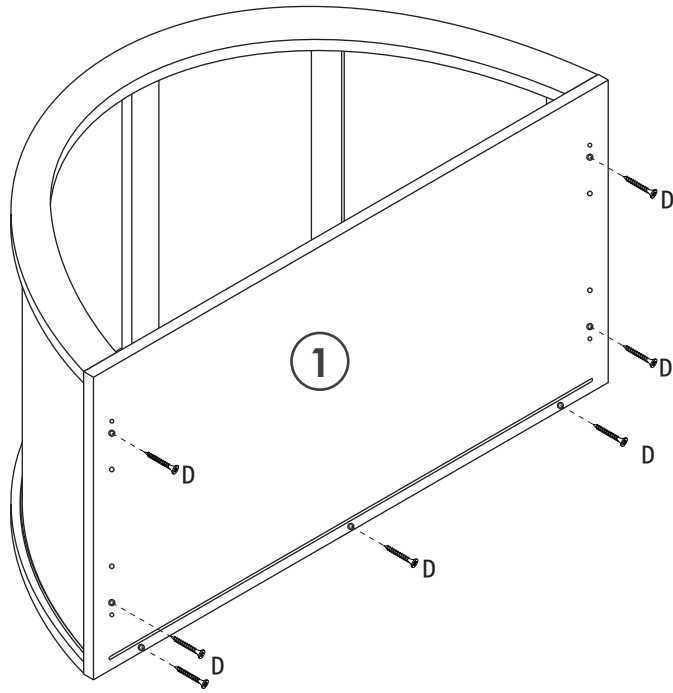
3

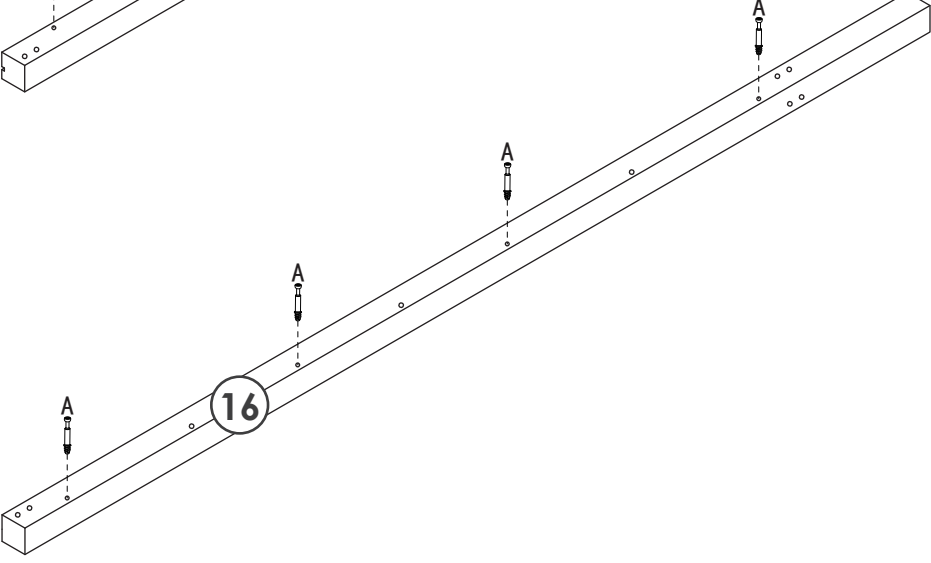
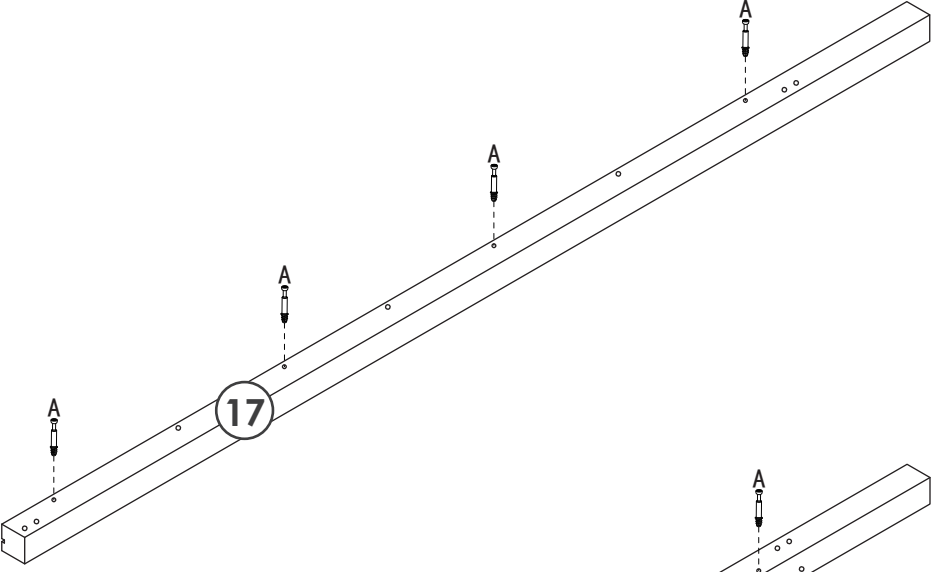
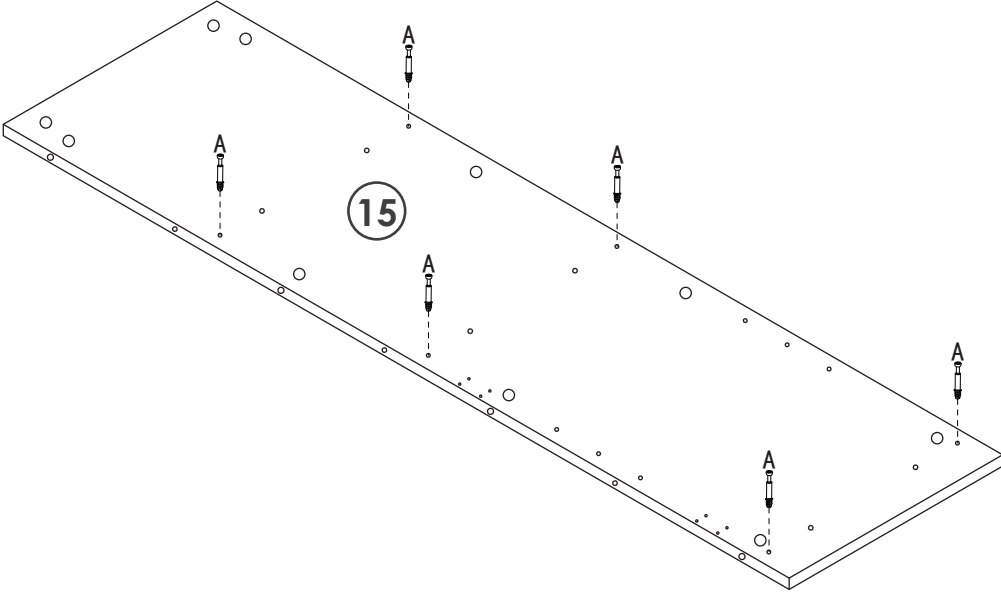
YOU WILL NEED

C x6



**NOTE:** This step to be accomplished by two persons

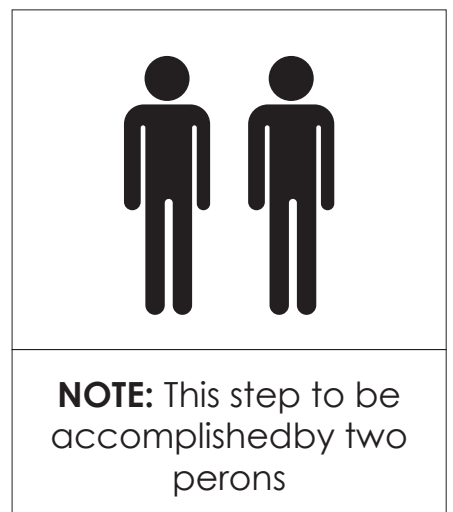
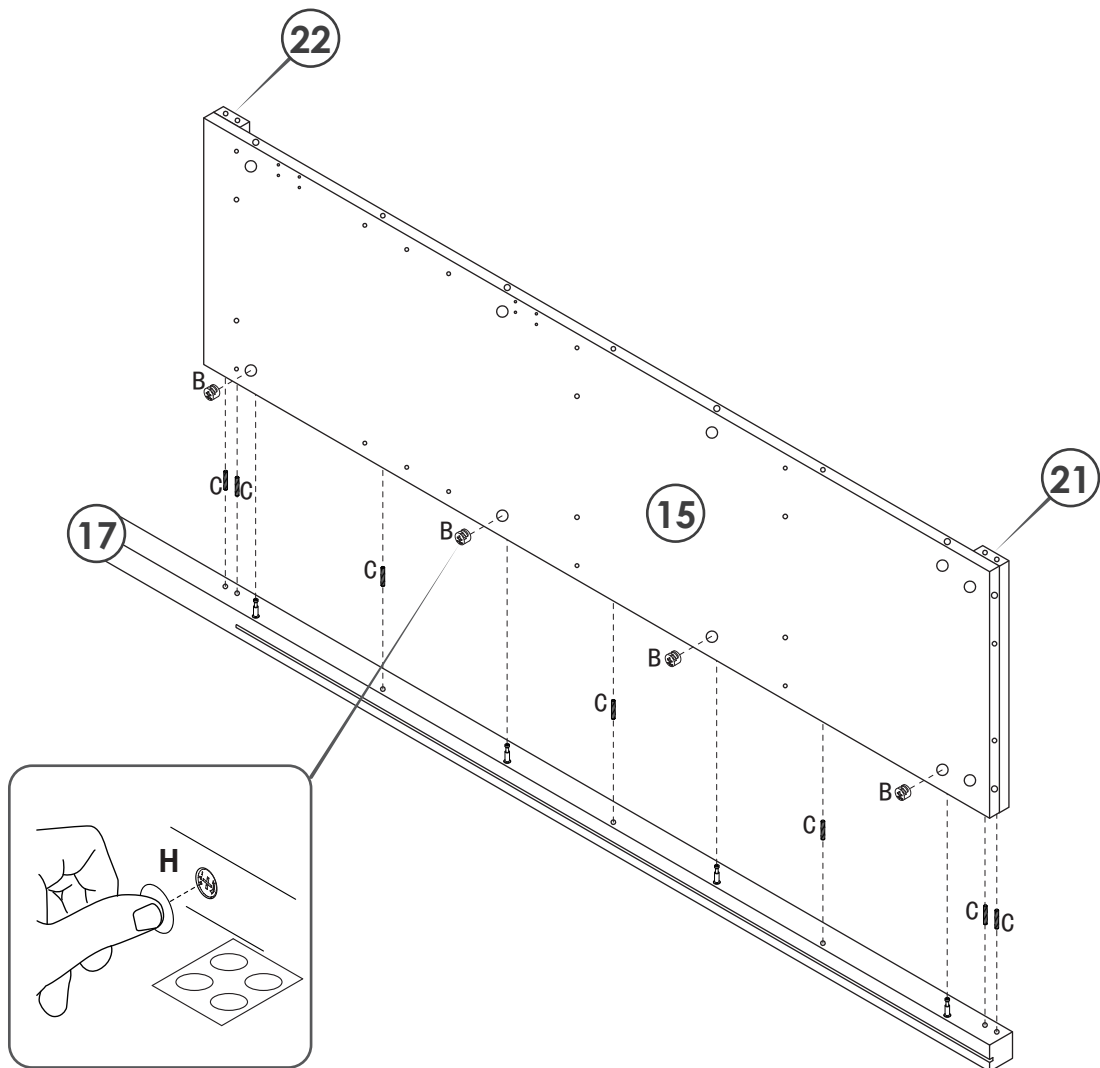




B x4

C x7

H x4

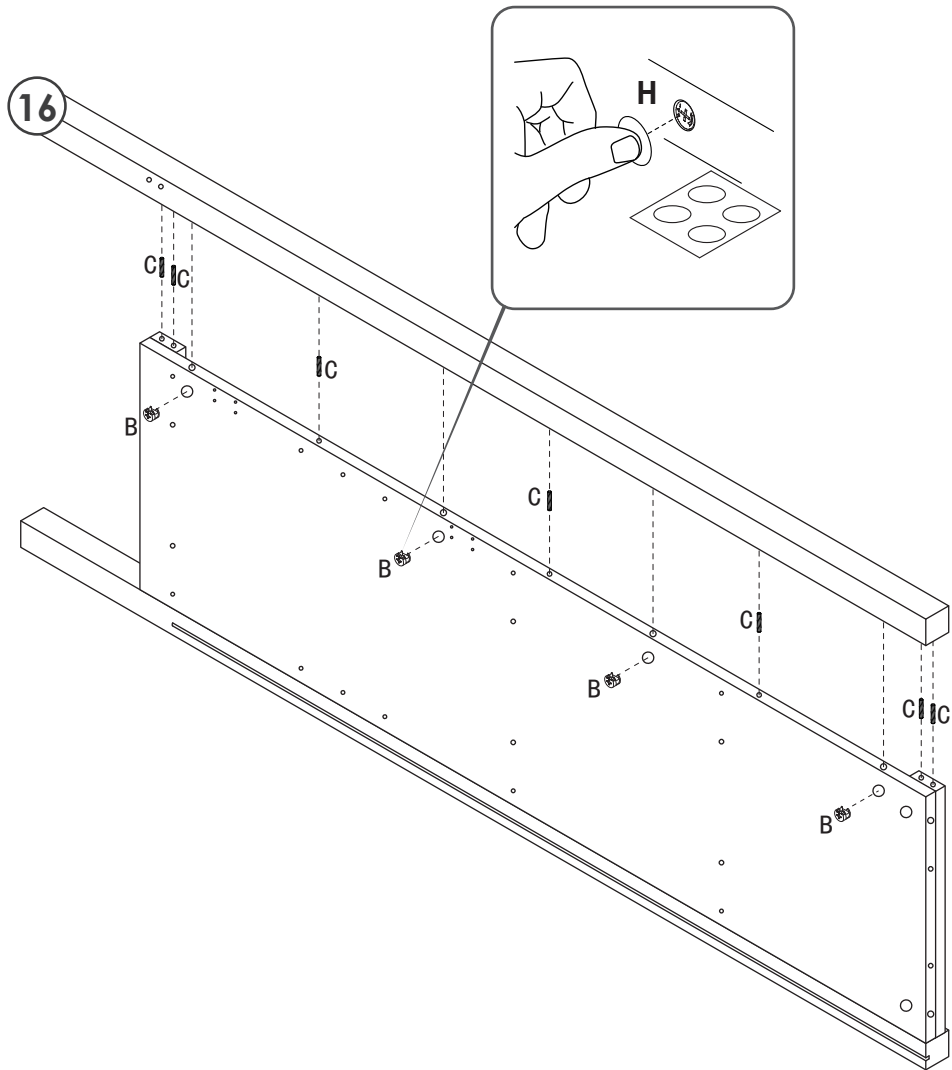


YOU WILL NEED

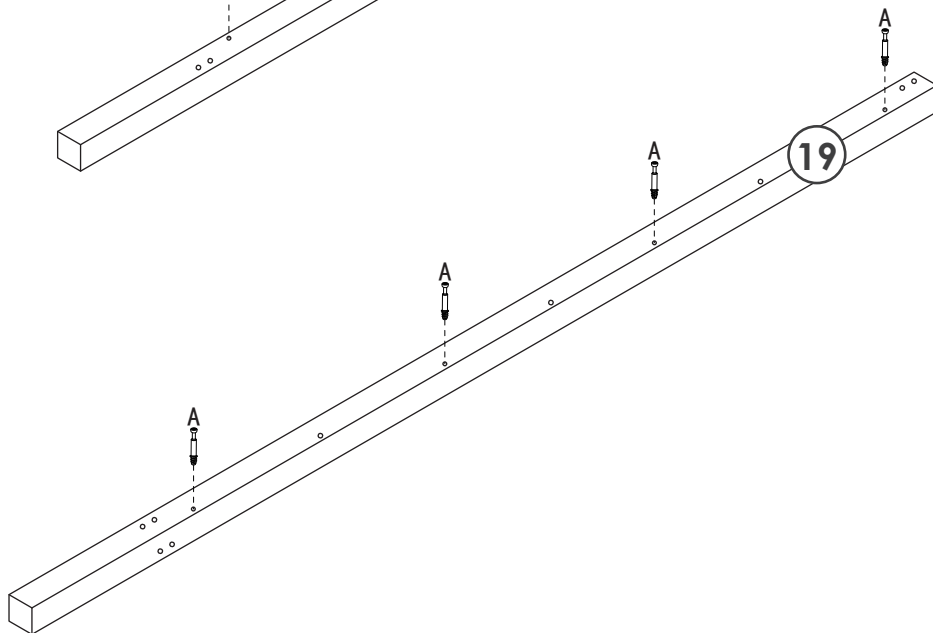
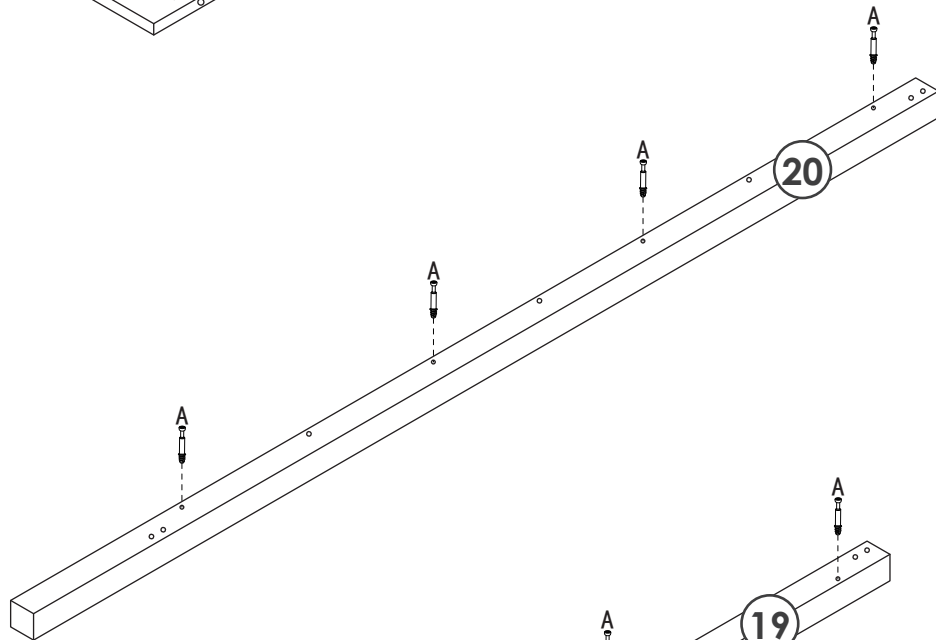
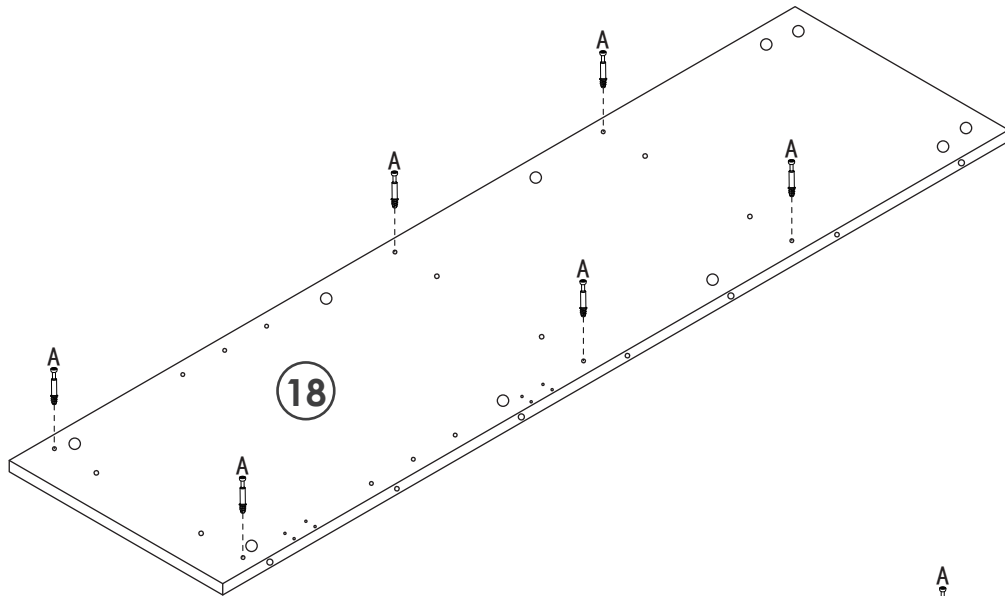
B x4

C x7

H x4



**NOTE:** This step to be accomplished by two persons

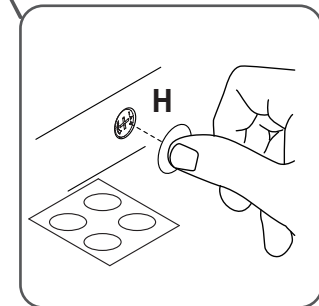
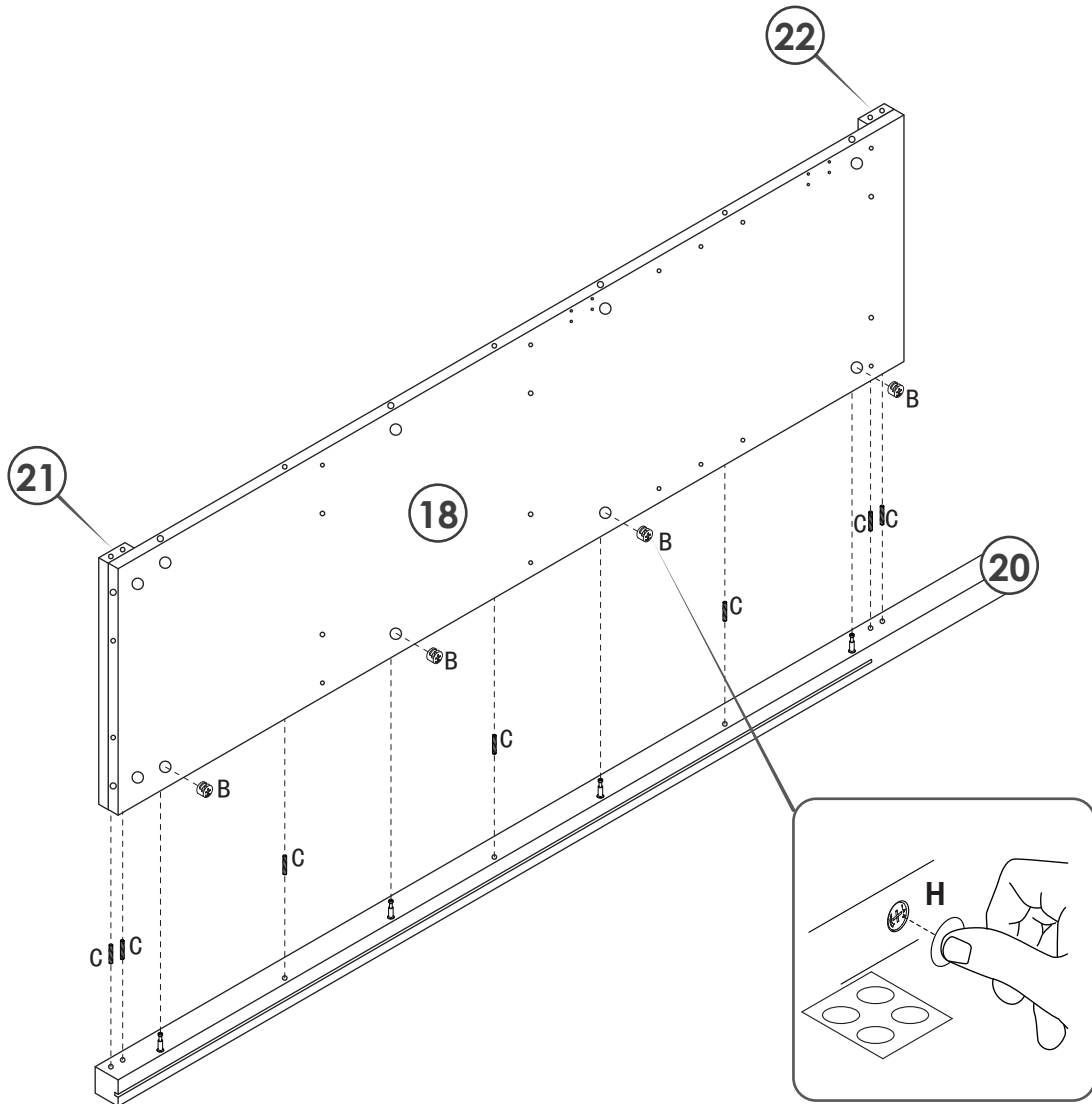


YOU WILL NEED

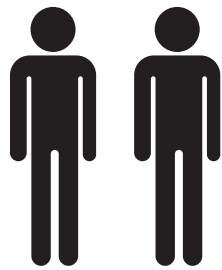
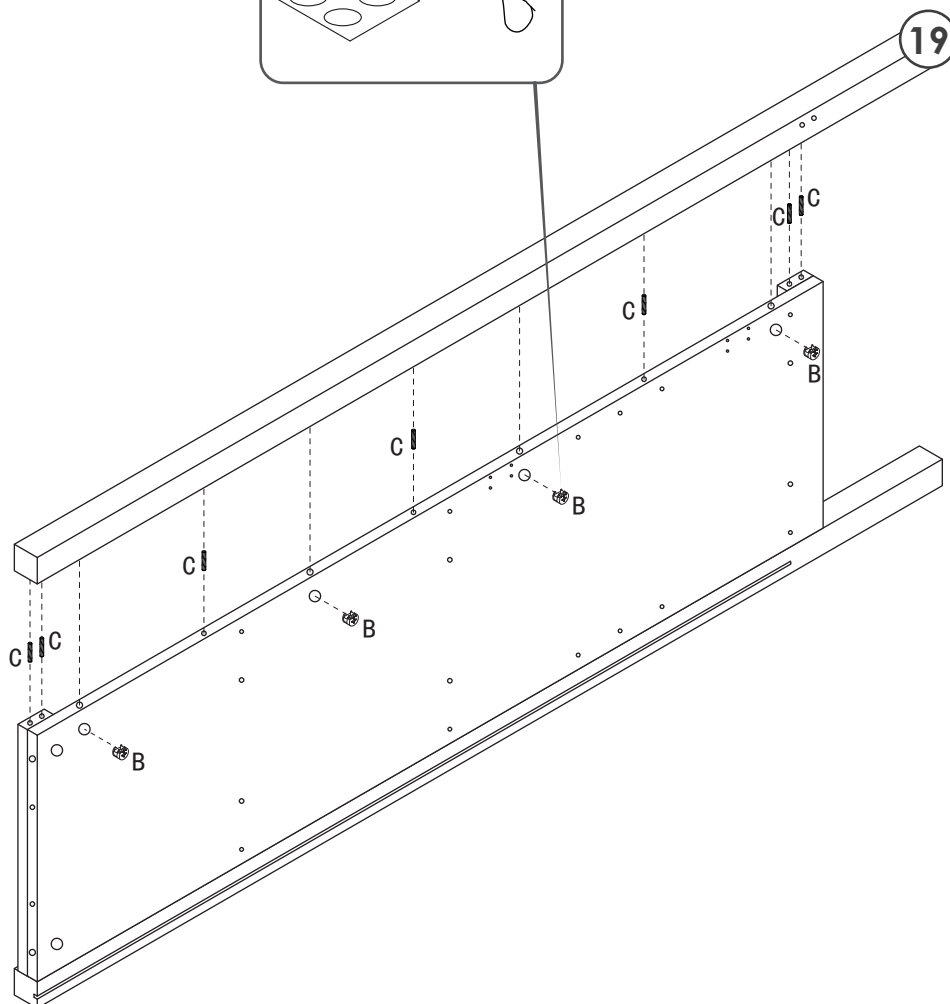
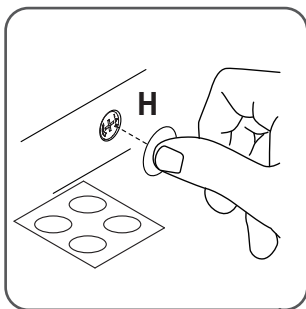
B x4

C x7

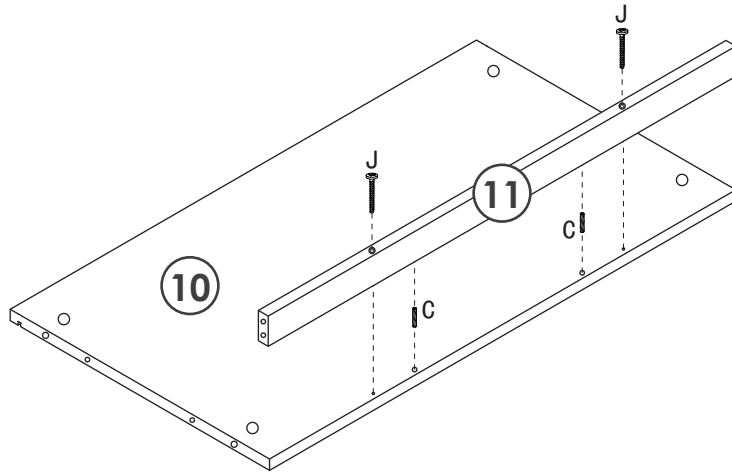
H x4

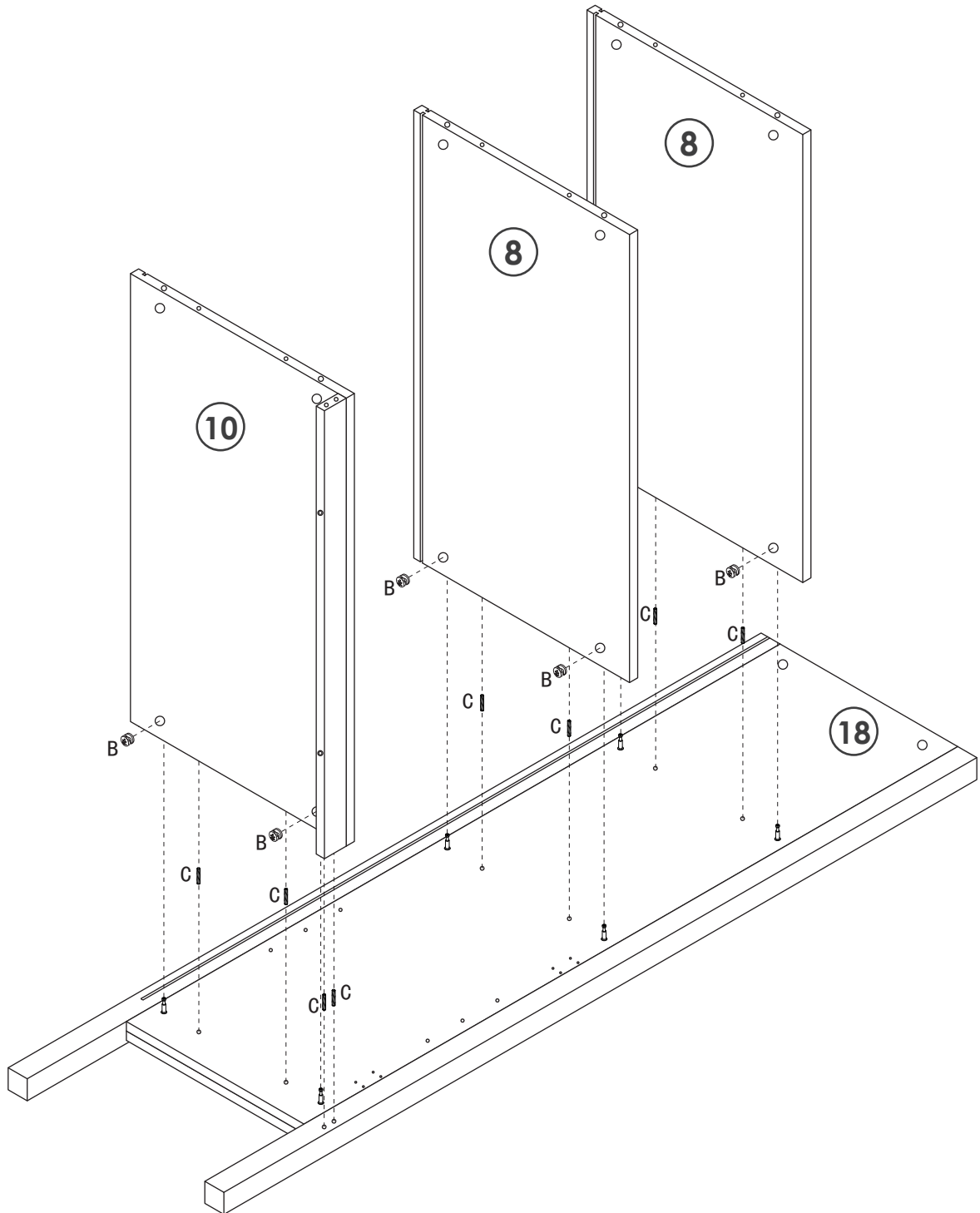


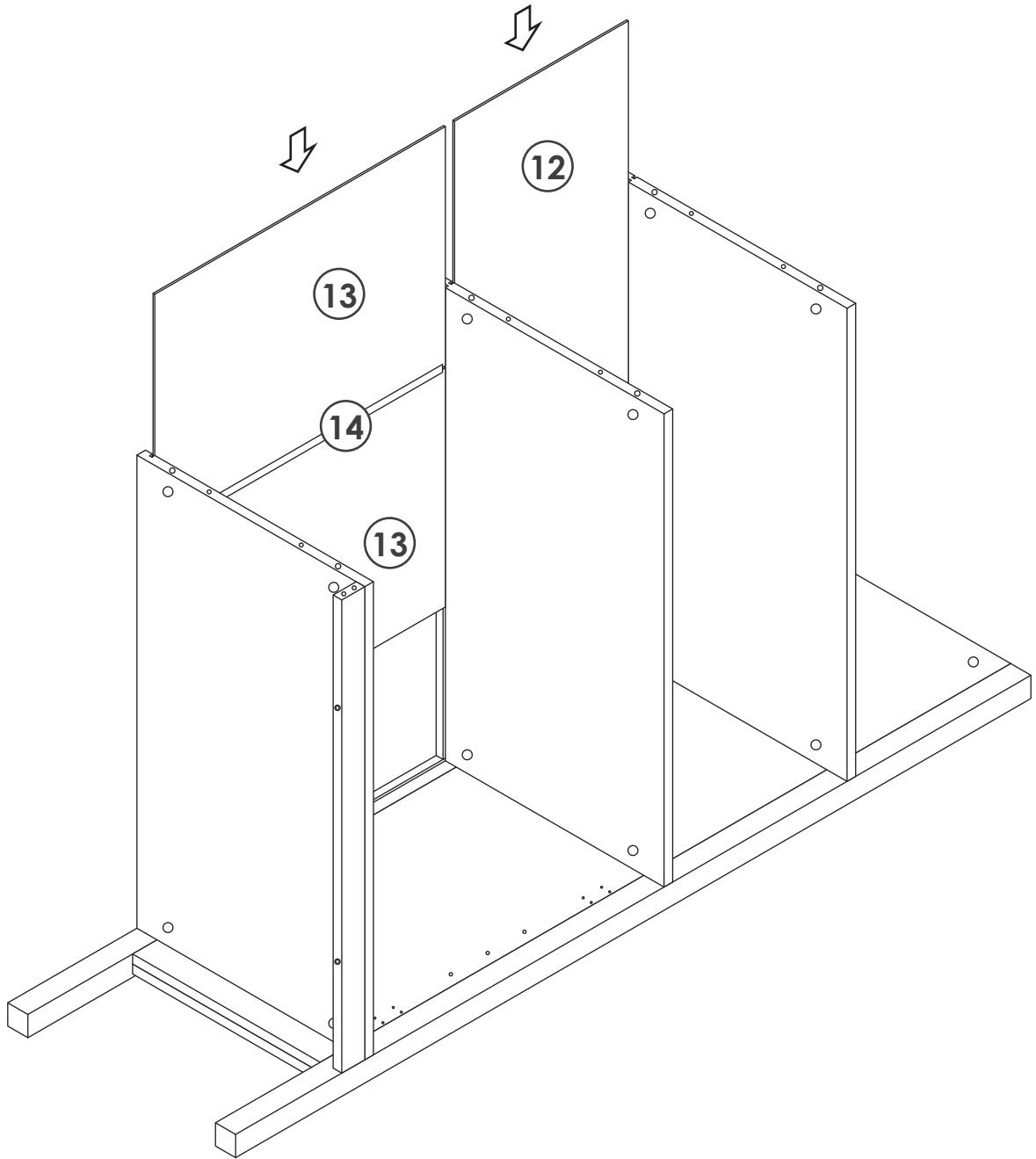
**NOTE:** This step to be accomplished by two persons

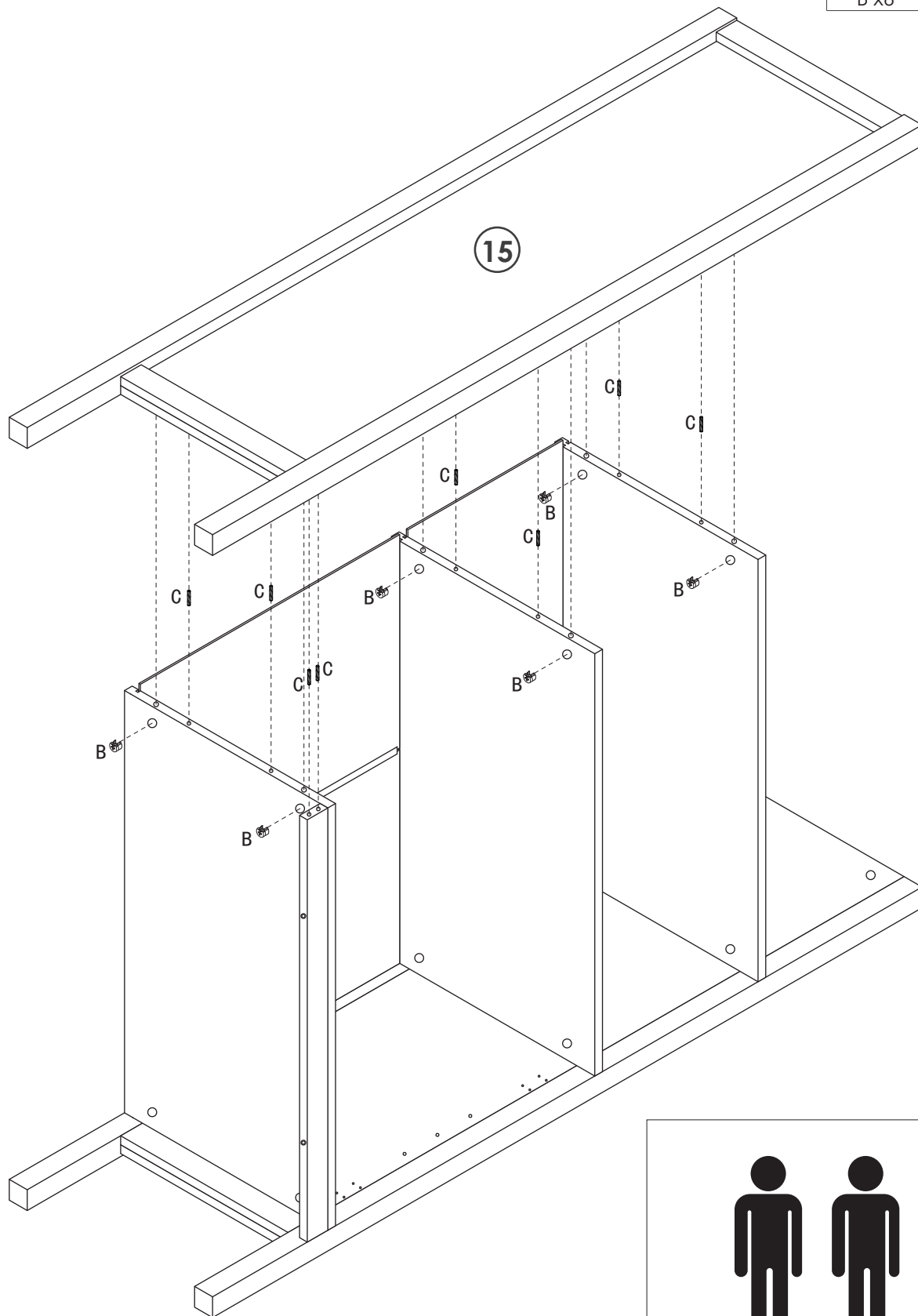


**NOTE:** This step to be accomplished by two persons









**NOTE:** This step to be accomplished by two persons

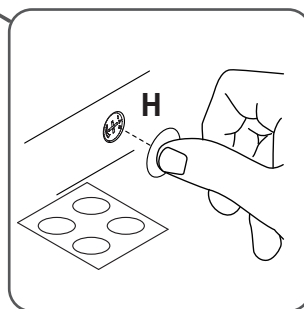
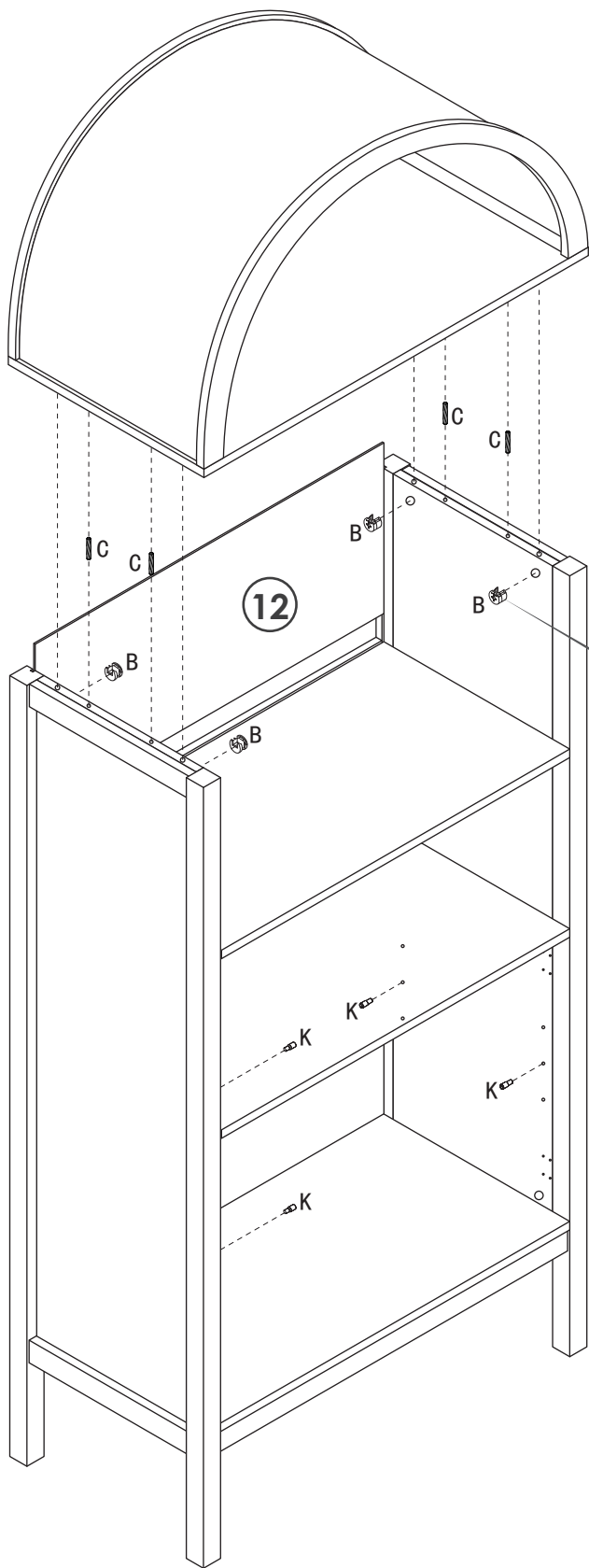
YOU WILL NEED

B x4

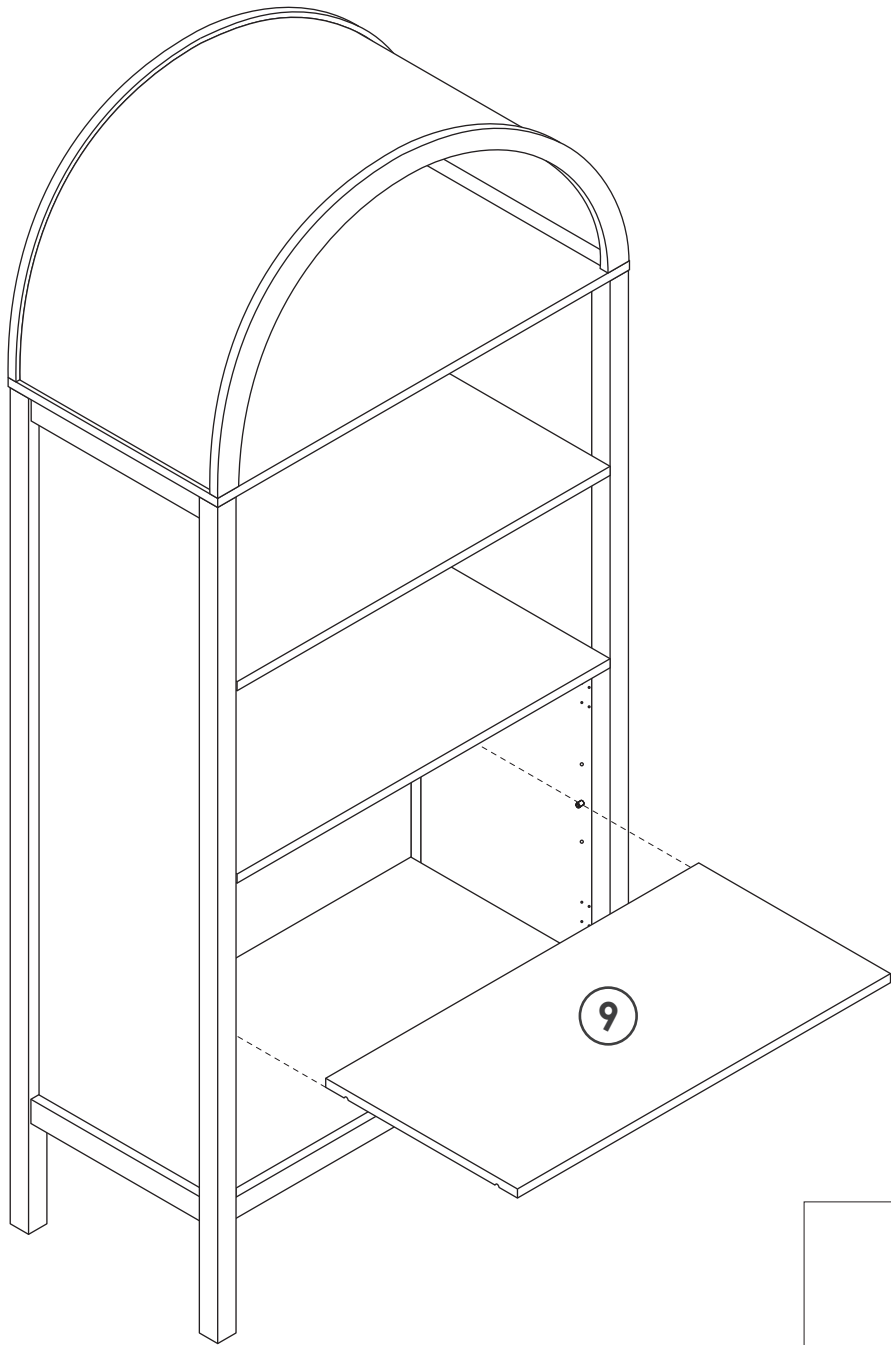
C x4

H x4

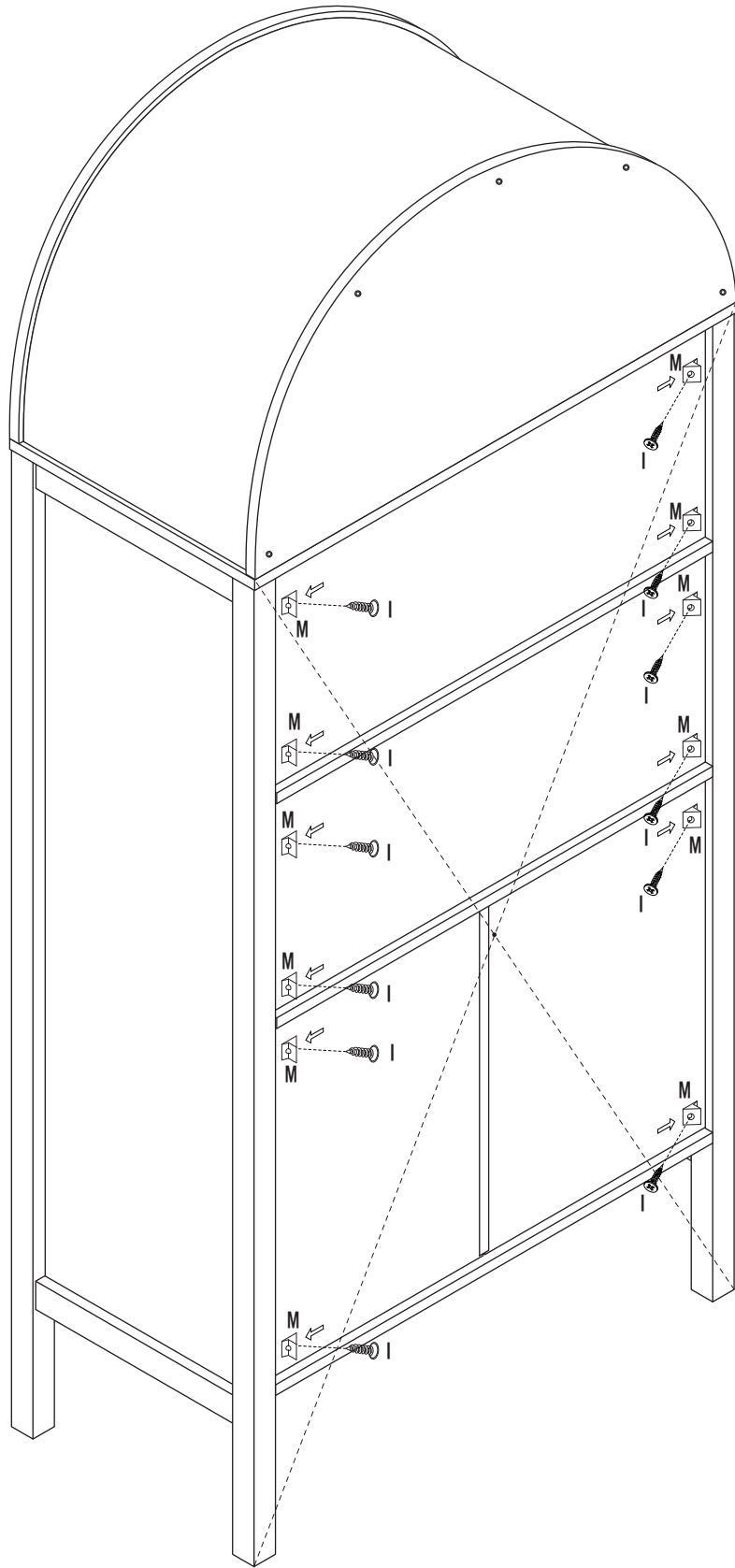
K x4



**NOTE:** This step to be accomplished by two persons



**NOTE:** This step to be accomplished by two persons



YOU WILL NEED

E x8	F x4	G x2	L x4
------	------	------	------

