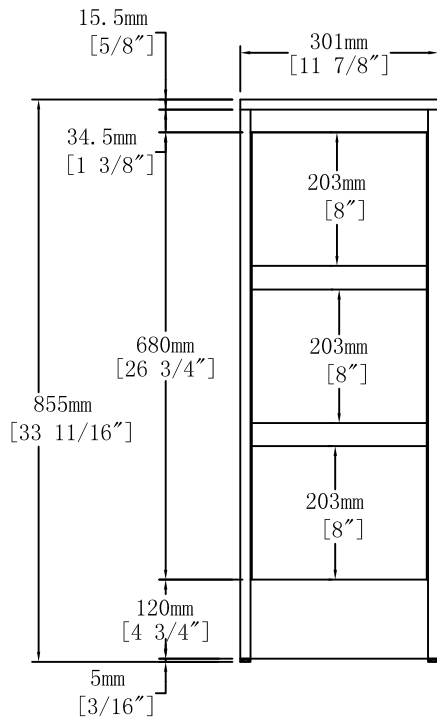
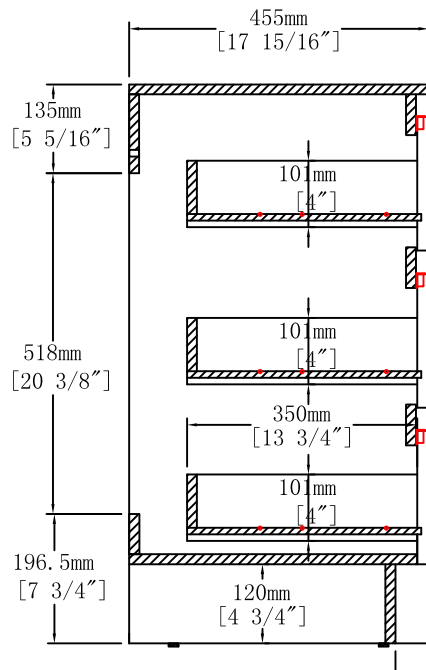


Top View

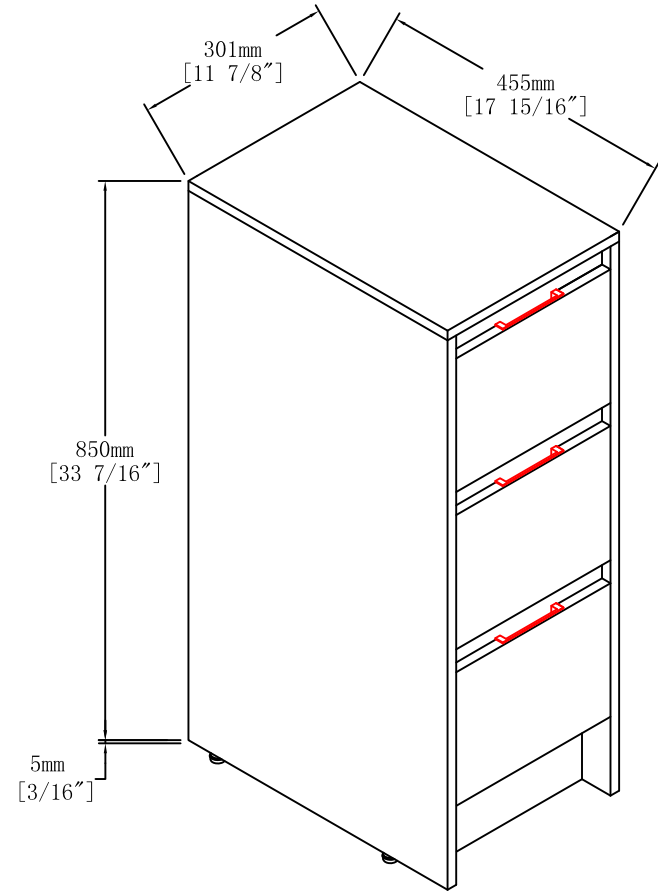


Front View



Side View

50mm
[1 15/16\"/>



Item NO.

BV B120 E12B GWH

Version

V1

Project

Date

2025-5-22