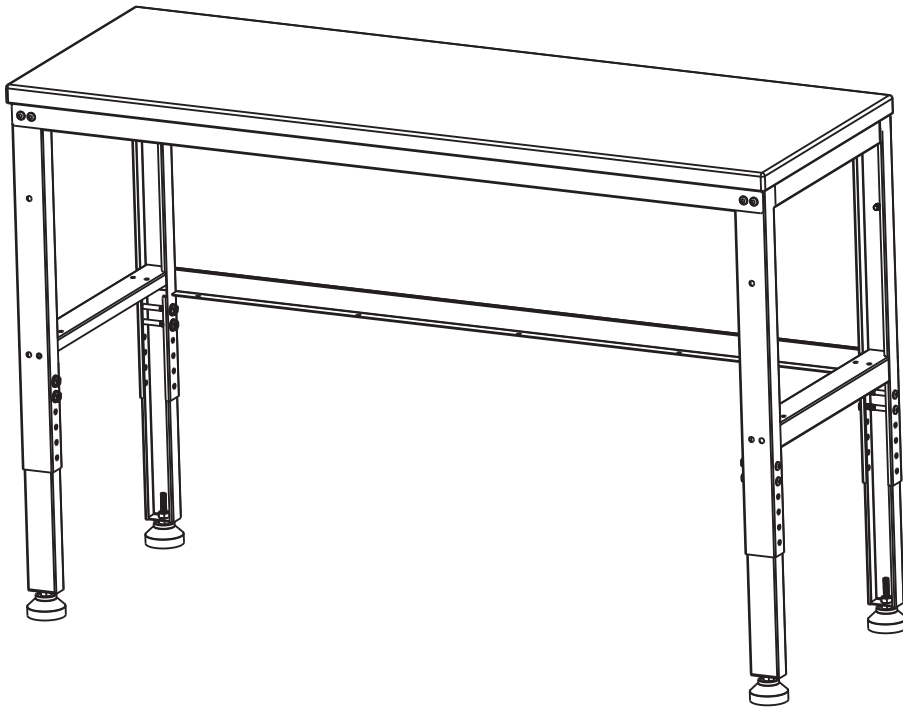


# User Manual

## Workbench



### Note

- Please read this user manual carefully.
- Please keep this manual for future reference.
- Package quantity: 1

## I . CATALOG

I . CATALOG	1
II . PRODUCT PRECAUTIONS	1
III . DISCLAIMER	1
IV . INSTALLATION PREPARATION	2
V . ACCESSORIES LIST	3
VI . INSTALLATION INSTRUCTION	4
VII . USE ATTENTION	5
VIII . WARRANTY	5
IX . RETURN/REPLACEMENT POLICY	6
X . CARE AND MAINTENANCE	6
XI . CUSTOMER CENTER	7

## II . PRODUCT PRECAUTIONS



Read and follow the information in the user's manual.



Please keep kids away from small components to ensure safety.



Do not let children near the workbench.



Do not step or climb on the worktop.



Do not place overweight items.



Keep away from fire.



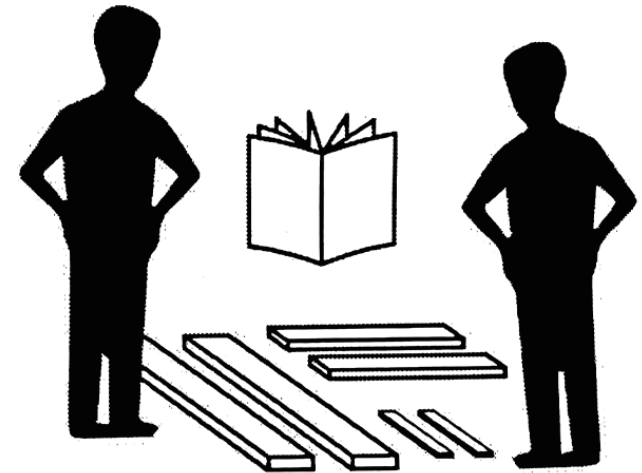
Please handle frame and other accessories properly.

### III .DISCLAIMER

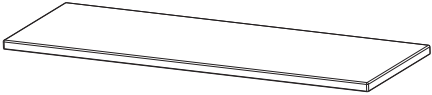

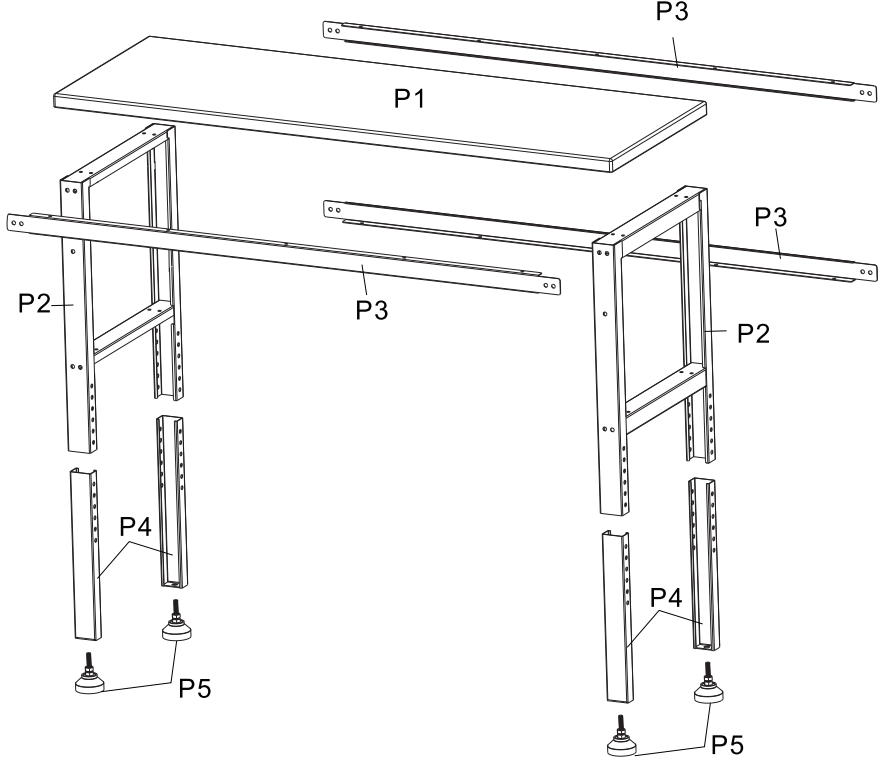
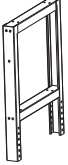
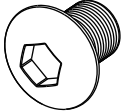





We ask that you read this manual completely before assembling and operating your new item. We are not and cannot be held responsible for any damage or injury incurred due to improper or unsafe use of the item. We specifically disclaim responsibility for any bodily injury or property damage that may occur during any use that does not comply with applicable federal, state, or local laws or ordinances. Please keep this manual for future reference.

# IV. INSTALLATION PREPARATION

1. Two or more people to move and assemble the workbench.
2. Please prepare a carpet or mat to protect your floor you need to spread out all the accessories.
3. Please prepare gloves to avoid being scratched by sharp parts that may occur during installation.
4. Please open all the boxes to check that the accessories are complete and in good condition(The accessories list on page 3).
5. the box contains some **small components**, please place them properly before installation to keep them **away from kids** and ensure safety.
6. If you need to use power tools to install this product, please **set the speed to low speed in advance**.
7. When installing please align all the holes and **do not tighten all the screws first**, otherwise, it may make the installation difficult.



# V. Accessories List

 <p><b>P1 x 1</b></p>	 <p><b>M5.5*12mm F1 x 22</b></p>	
 <p><b>P2 x 2</b></p>	 <p><b>M8*12mm F2 x 12</b></p>	
 <p><b>P3 x 3</b></p>	 <p><b>M8 F3 x 20</b></p>	
 <p><b>P4 x 4</b></p>	 <p><b>M8*6mm F4 x 8</b></p>	
 <p><b>P5 x 4</b></p>		



**Kindly Notes:**

1. Please open all boxes to check the quantity and condition of accessories.
2. When installing, please align all the holes and do not tighten all the screws first.

**Q : Is there any broken or missing part?**

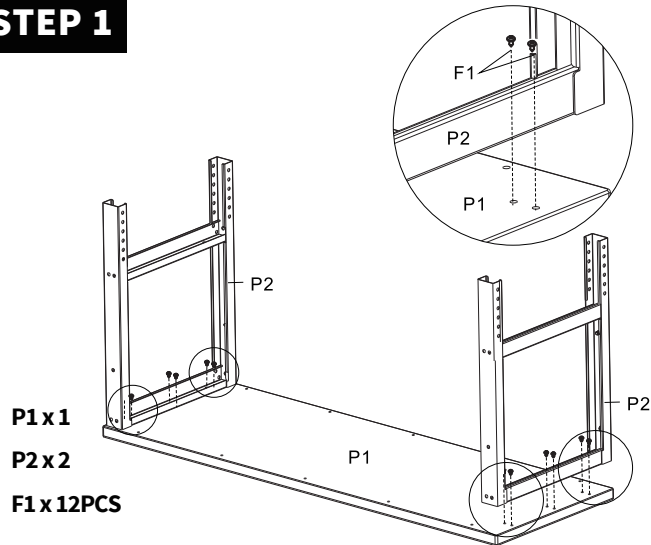
**A :** If yes, please feel free to contact us, we will do our best to assist you to solve the problem as soon as possible.

# VI . INSTALLATION INSTRUCTION

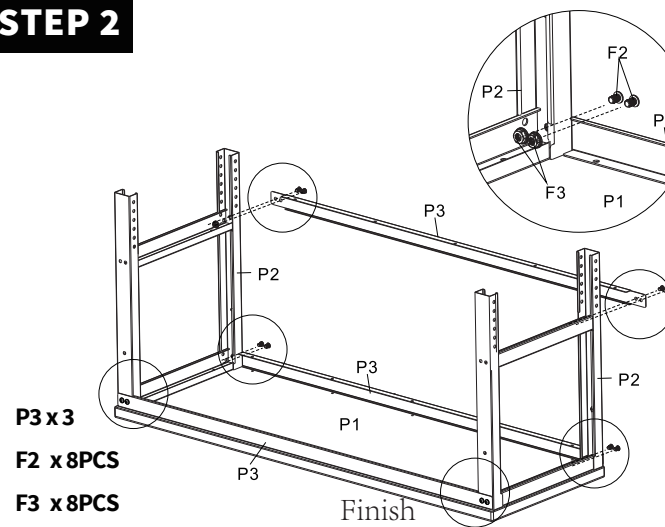
**Q: How to solve the hole misalignment?**

**A: Please do not tighten all the screws until aligning all the holes.**

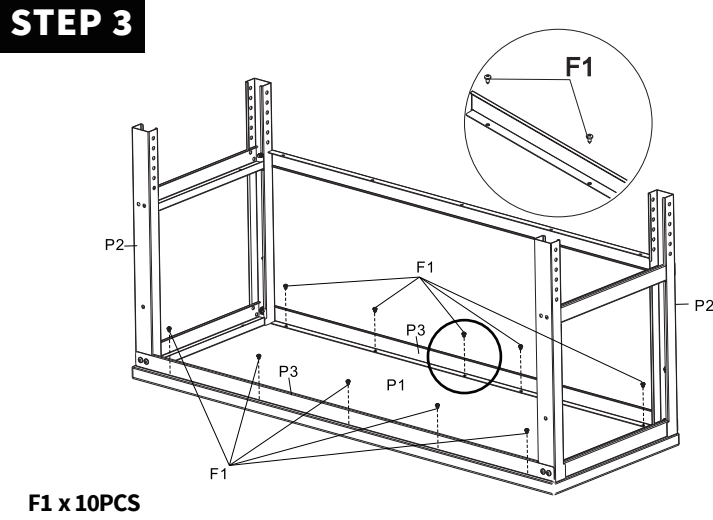
## STEP 1



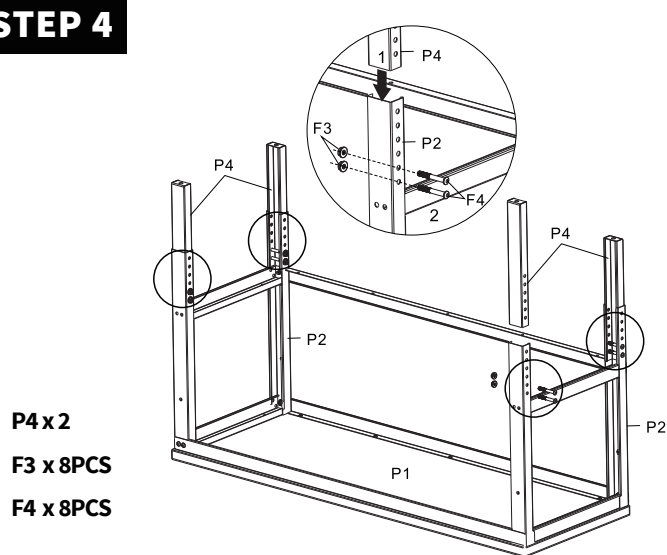
## STEP 2



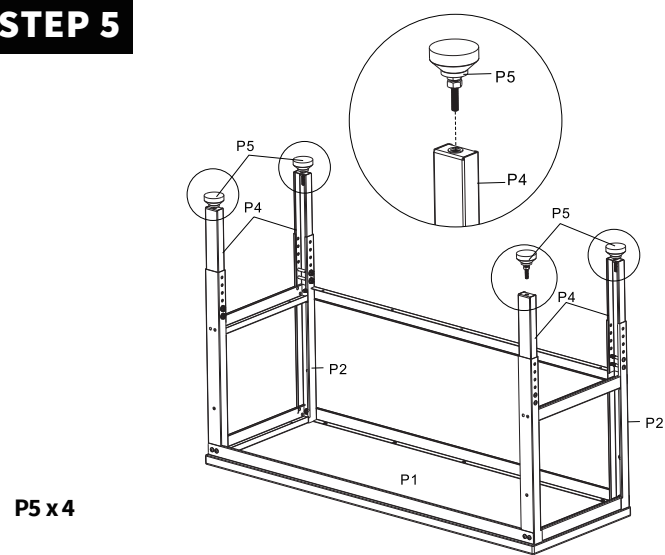
## STEP 3



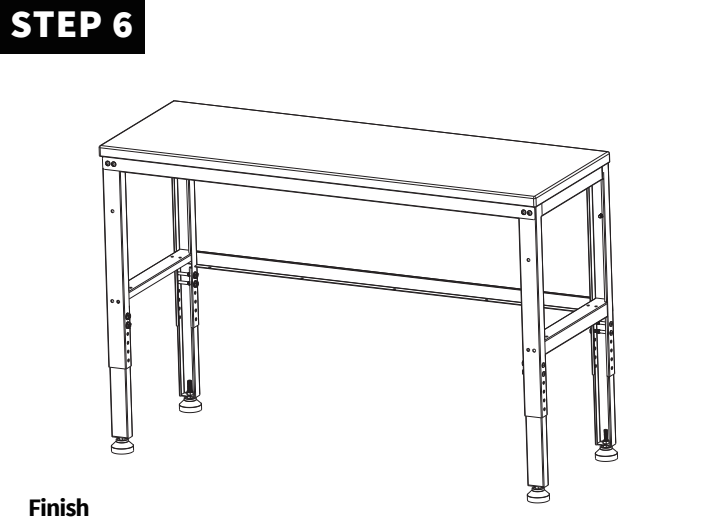
## STEP 4



## STEP 5



## STEP 6



## VII . USE ATTENTION

- Before setting the workbench upright, verify that the same number of adjustment holes are visible on each leg to ensure that the workbench will be level.
- Do not step or climb on the worktop.
- Do not let children near the workbench.
- Failure to do so can result in tipping or other injury. The maximum weight limit is 1200lbs(545kg) for the workbench.
- **Your safety and the safety of others are very important.** We have provided many important safety messages in this manual and on your appliance. Please always read and obey all safety messages

## VIII . WARRANTY

Wood	1 Year
Frame	1 Year

### Limitations Applicable to All Warranties

**All warranties begin on the date of delivery.  
All warranties are to the original purchaser  
from the manufacturer ONLY.**

### WARRANTY DETAIL EXPLANATION

- We will replace the defective parts or send a replacement item provided that the warranty parts have not been subjected to misuse, abuse, or improper service by the consumer, for example, damaged part arising in consequence of negligence or improper operation.
- **Exclusions also include components with damage caused by:**
  - Contamination
  - Abuse, misuse, accident or negligence
  - Commercial use, or use other than normal
  - Improper operation maintenance, or storage
- We will pay standard shipping rates on all warrant-ed parts for the first year. We can also sell you the replacement part for a discount price when your item is out of warranty policy.

## **X . CARE AND MAINTENANCE**

- Clean the workbench with a mild detergent and warm water.
- Do not allow water to remain on the workbench for any length of time.
- Rinse completely and dry thoroughly.

# XI. CUSTOMER CENTER

If for any reason we have fallen short of your expectations or if you have any questions and suggestions please contact us, we will do our best to work with you to make sure you are entirely satisfied.

**If there is any problem with the product, how to solve it?**

In order to efficiently help you solve the problem, please let us know your **order number, the part number of the defective/missing part, the quantity of the issue parts, and send some pictures** when contacting us. They can effectively assist us to solve the problem for you quickly.

**Please rest assured, you will receive a reply within 24 hours.**