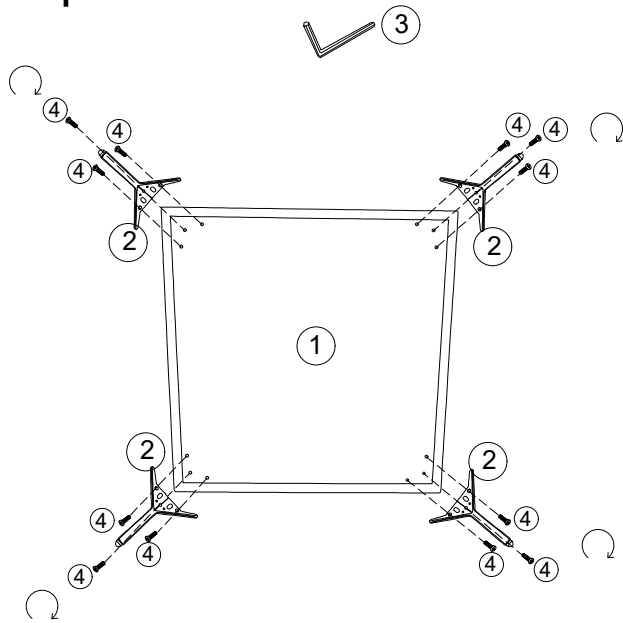
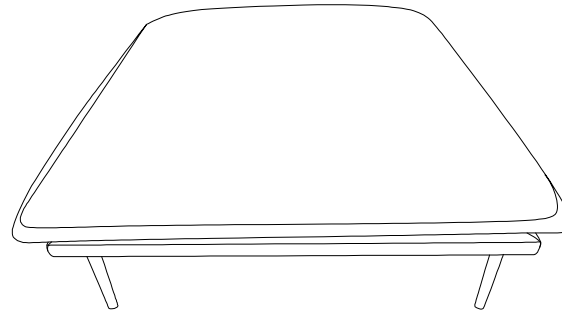


step1



step3

final

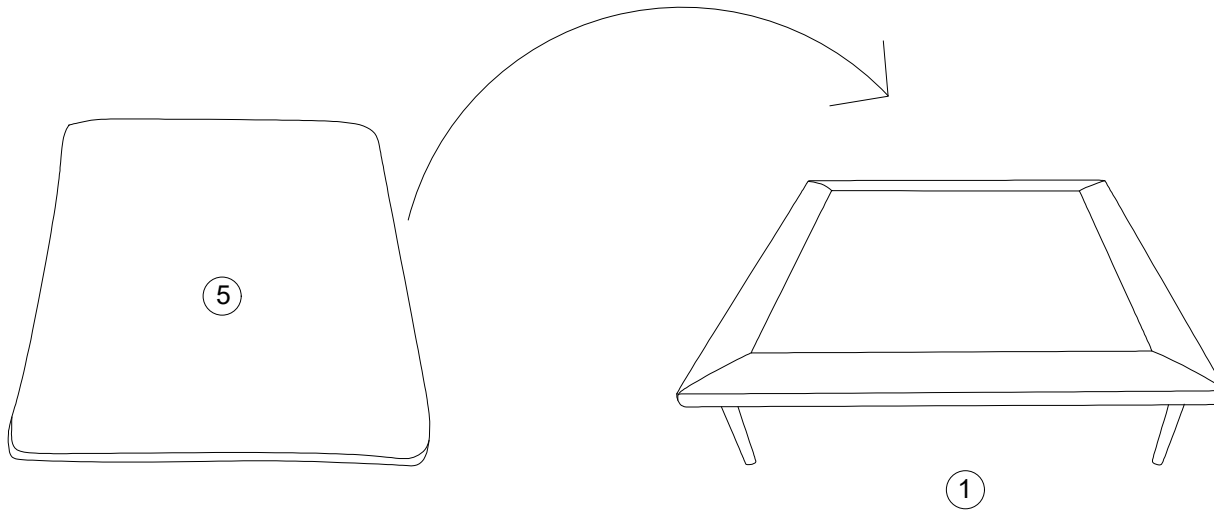


Installation

To avoid scratches and swallowing parts, please do not install by children!

step2

Place the seat cushion on the base



NO	Image	Parts Name	Size	Qty
①		base		1pcs
②		Legs		4pcs
③		Hexagonal screw tap		1pcs
④	 M8X30mm	Hexagonal socket screw		12pcs
⑤		Seat cushion		1pcs