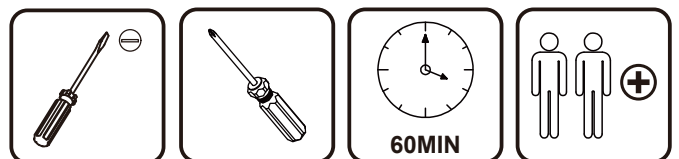
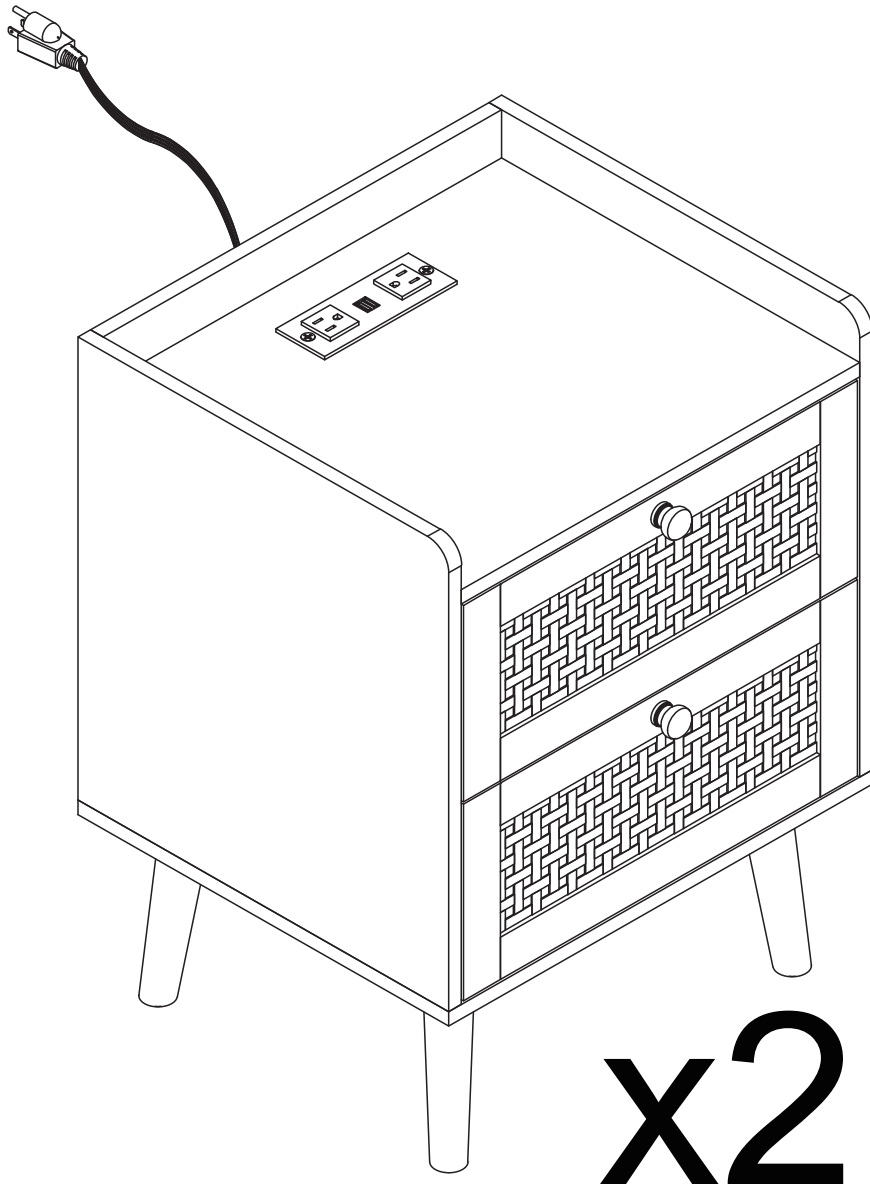
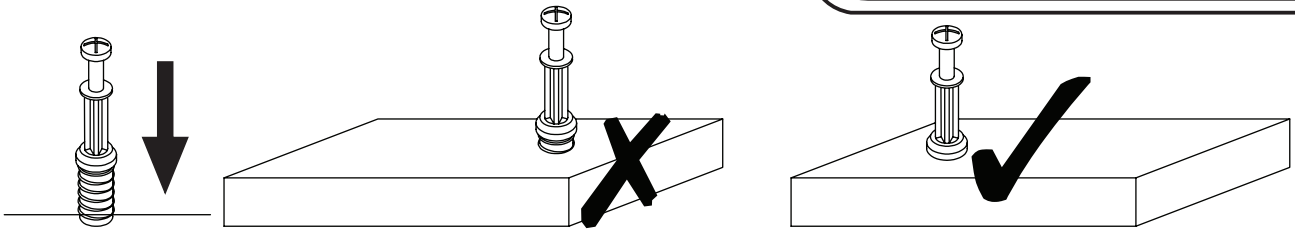


Installation & Assembly

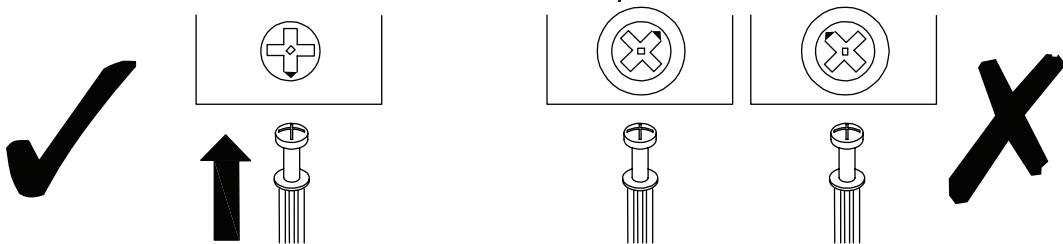


EN_IMPORTANT, RETAIN FOR FUTURE REFERENCE: READ CAREFULLY.

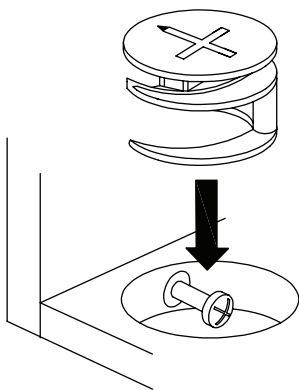
USING CAM LOCK AND QUICKFIT



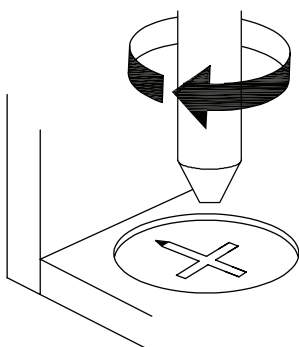
EN_QUICKFIT: Tighten quickfit until shoulder is flush with panel. Do not overtighten or undertighten.



EN_CAM LOCK: When fitting cam lock, ensure starting position is correct before you insert connecting quickfit.

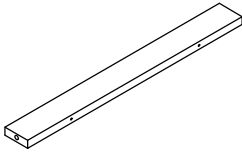
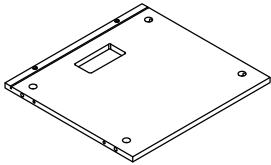
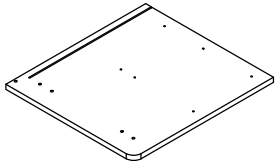
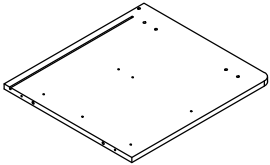
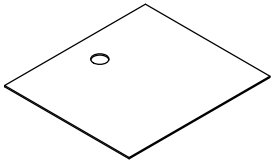
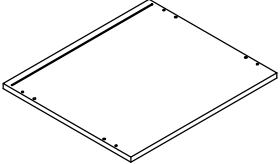

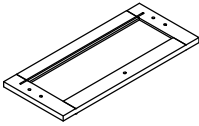
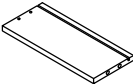
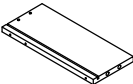


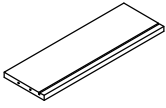
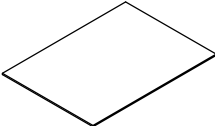
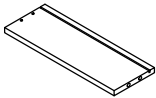
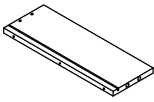
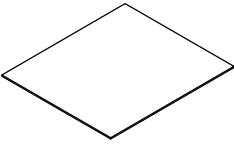

EN_Quickfit head should be in the centre of the cam lock when the two panels are joined.
Cam lock should be inserted before quickfit.

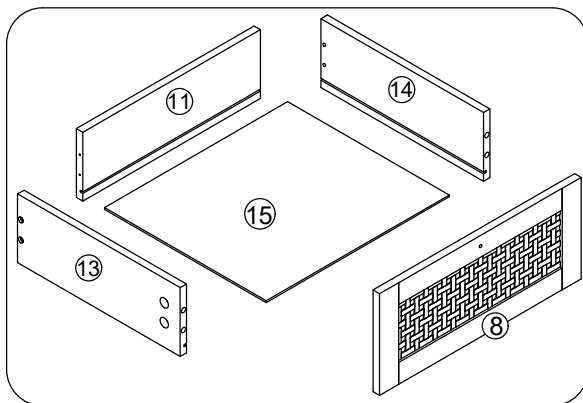
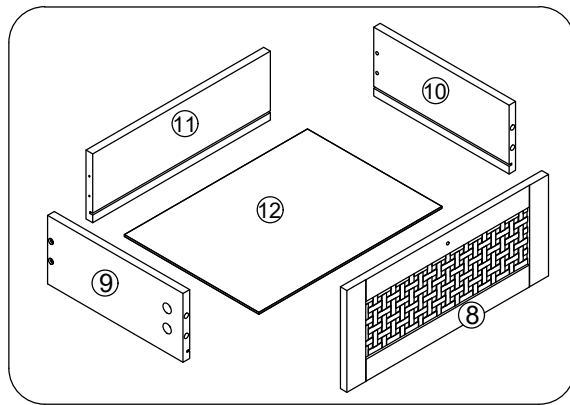
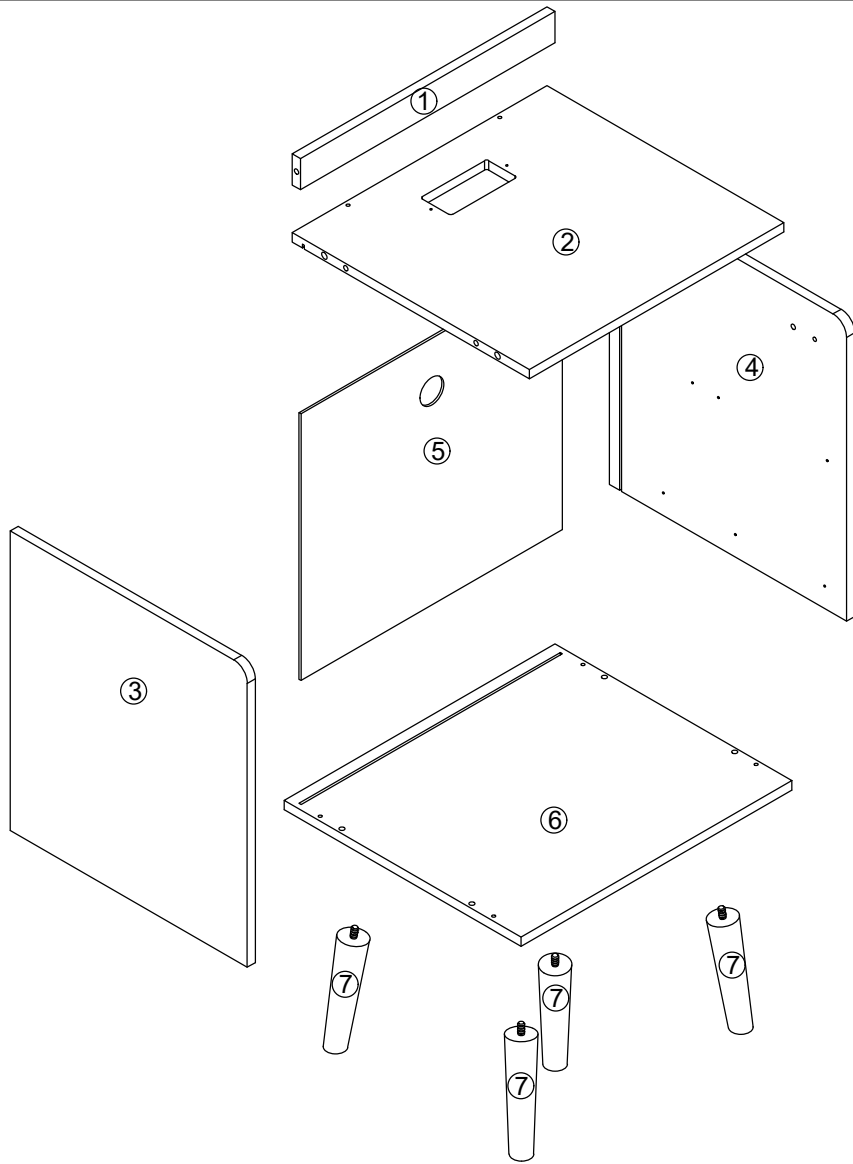


EN_Turn cam lock clockwise to tighten.

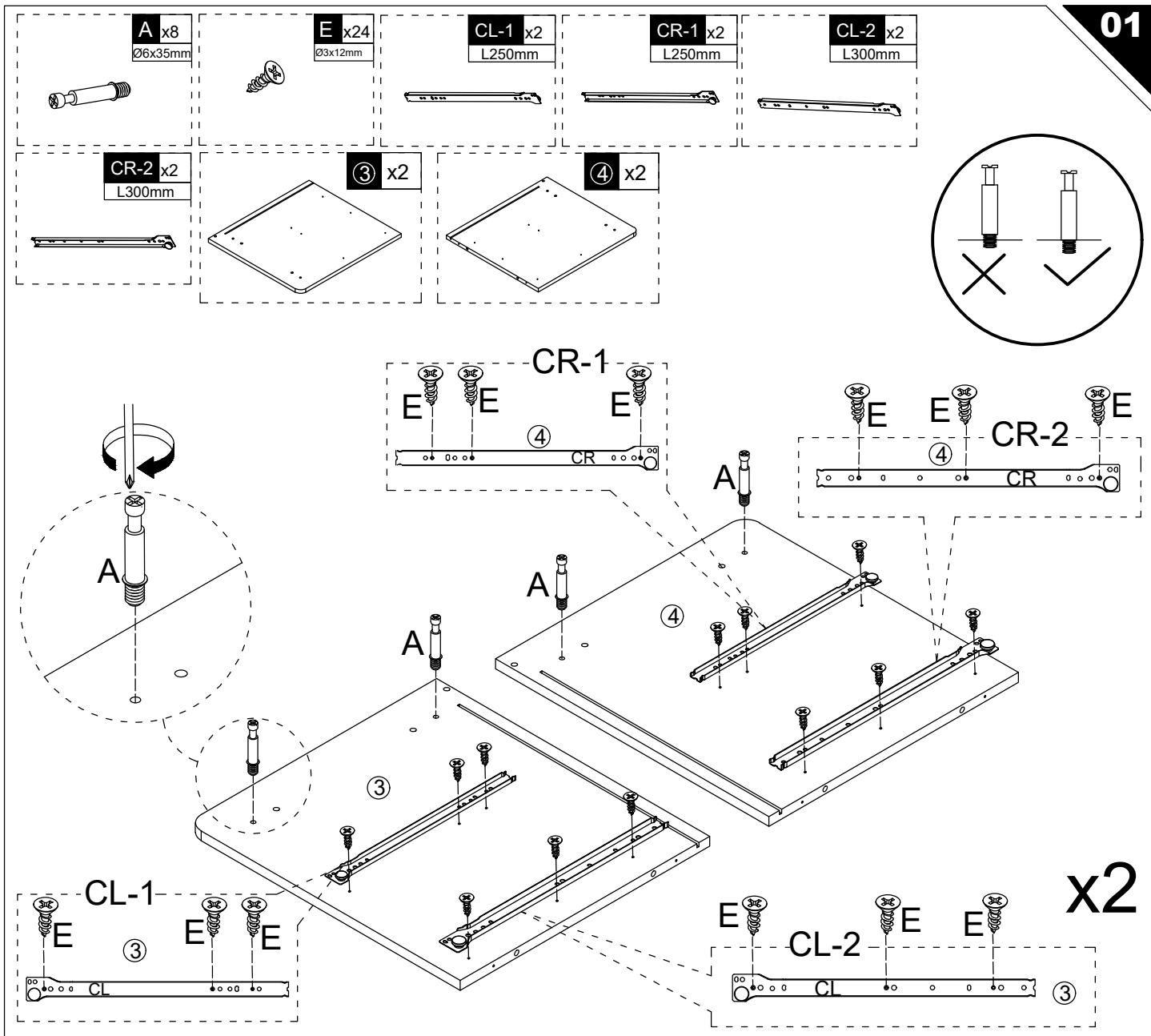
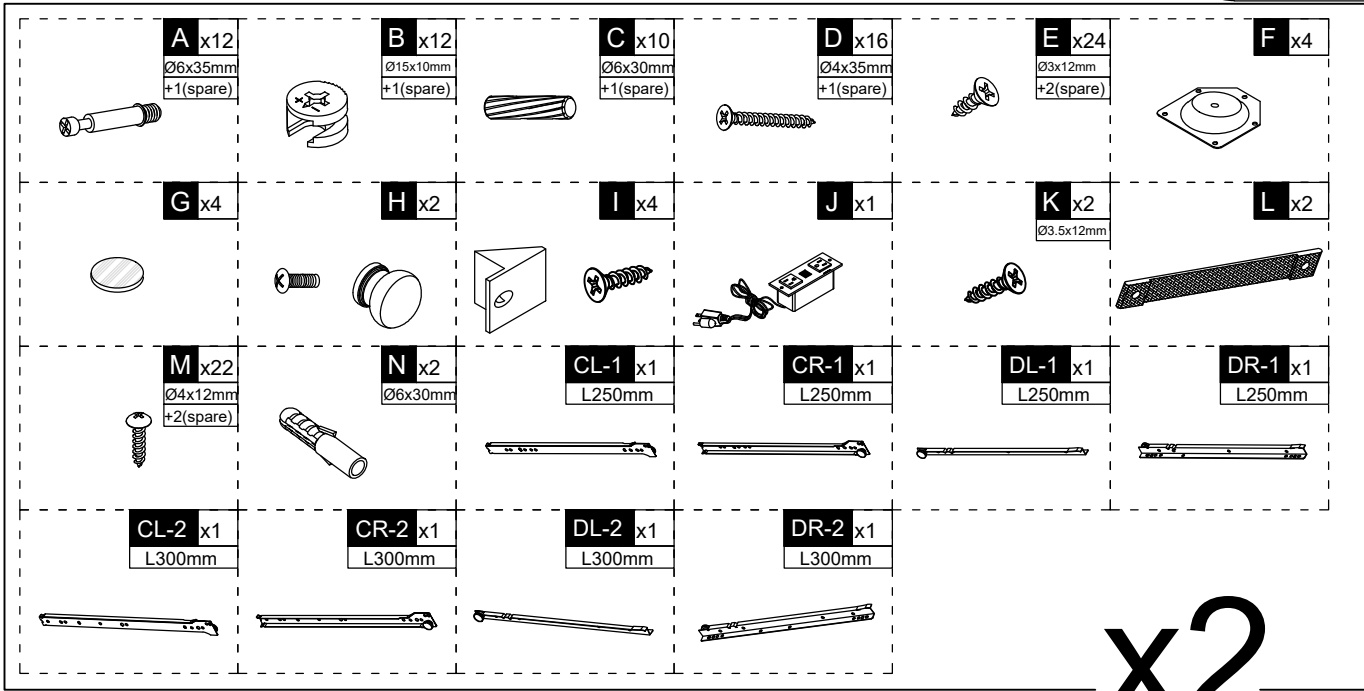
PACKING DELALS

NO.	PARTS	QTY	SPARE
①		x2	
②		x2	
③		x2	
④		x2	
⑤		x2	
⑥		x2	
⑦		x8	
⑧		x4	
⑨		x2	
⑩		x2	

NO.	PARTS	QTY	SPARE
⑪		x4	
⑫		x2	
⑬		x2	
⑭		x2	
⑮		x2	
	 Hardware Kit		



x2

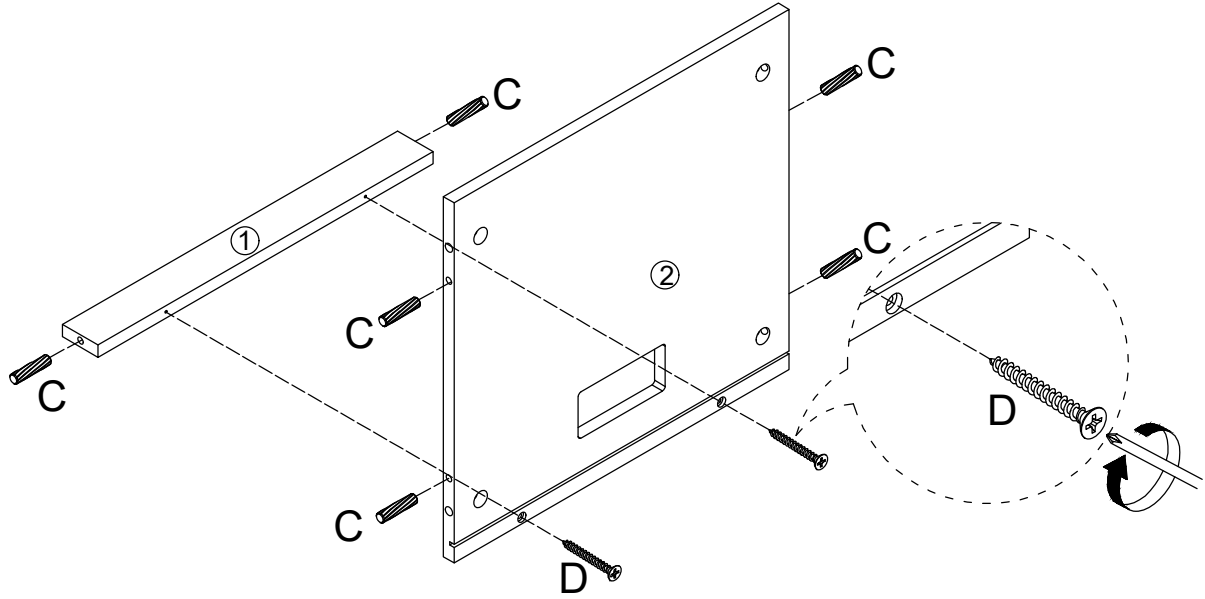
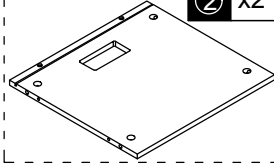
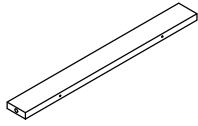


C x12
Ø6x30mm

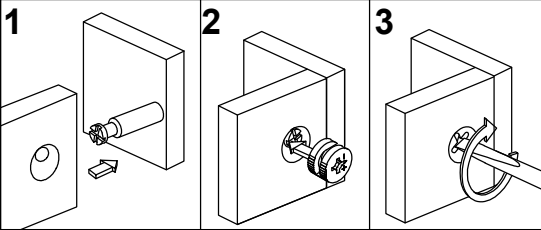
D x4
Ø4x35mm

① x2

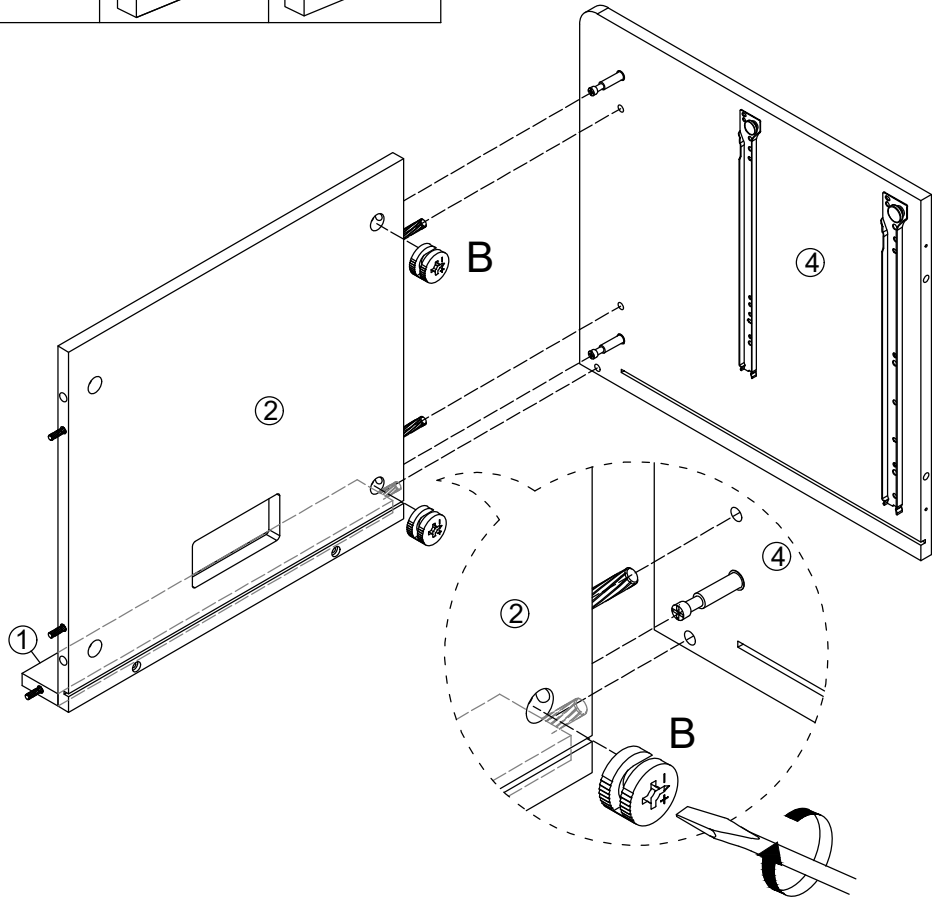
② x2



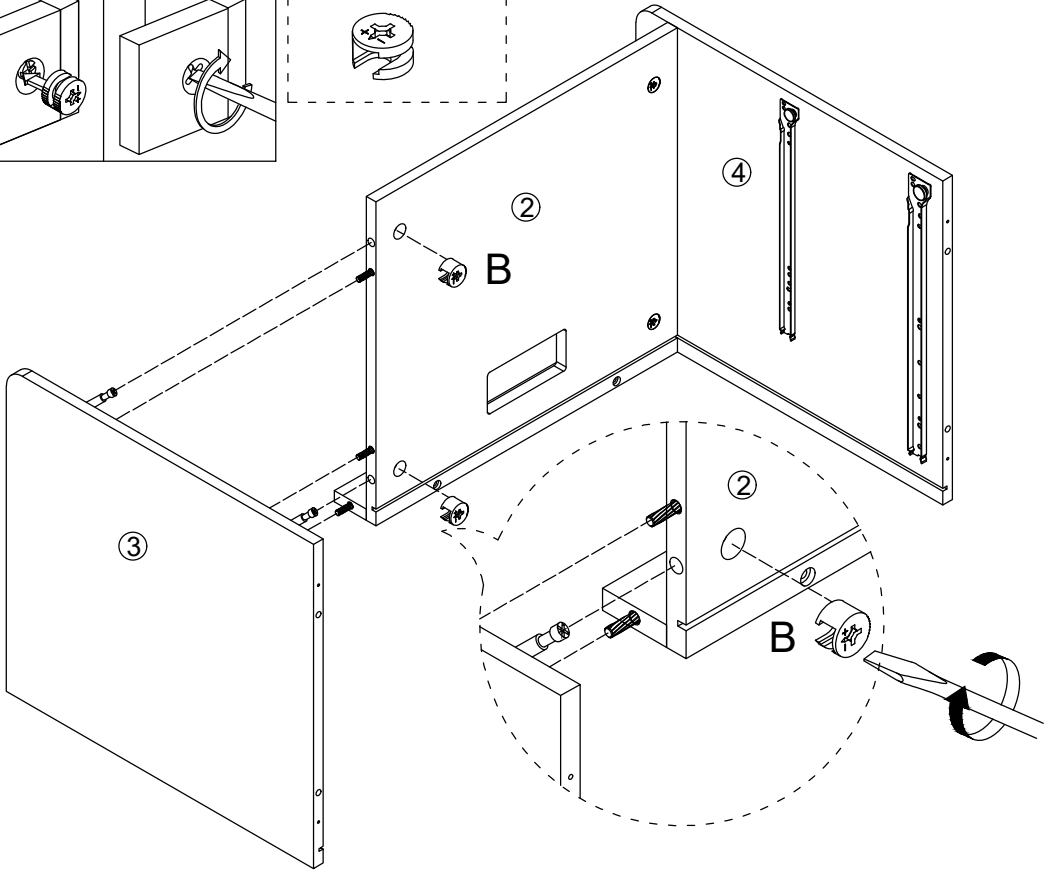
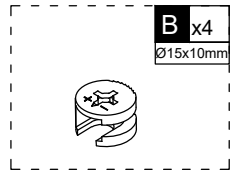
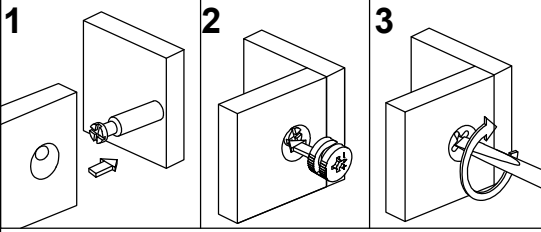
x2



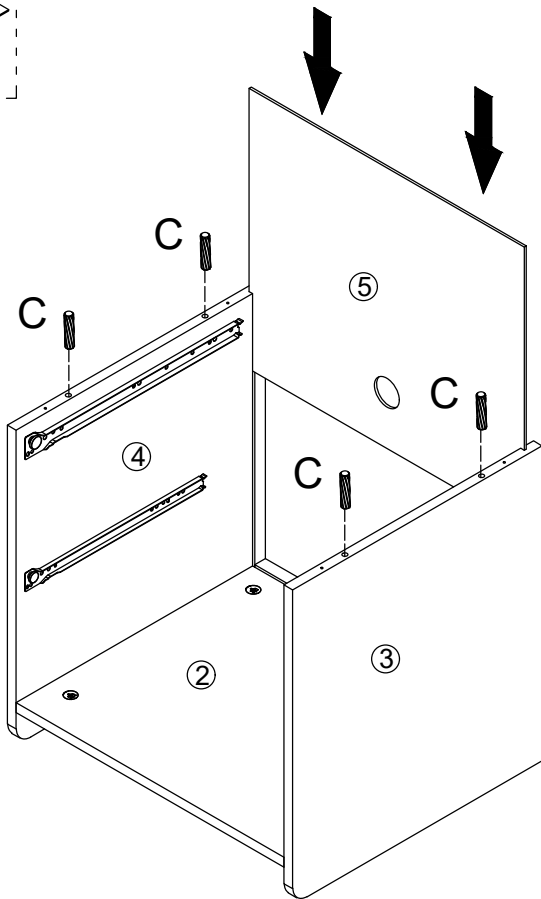
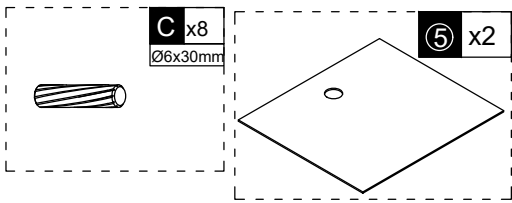
B x4
Ø15x10mm



x2

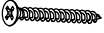


x2

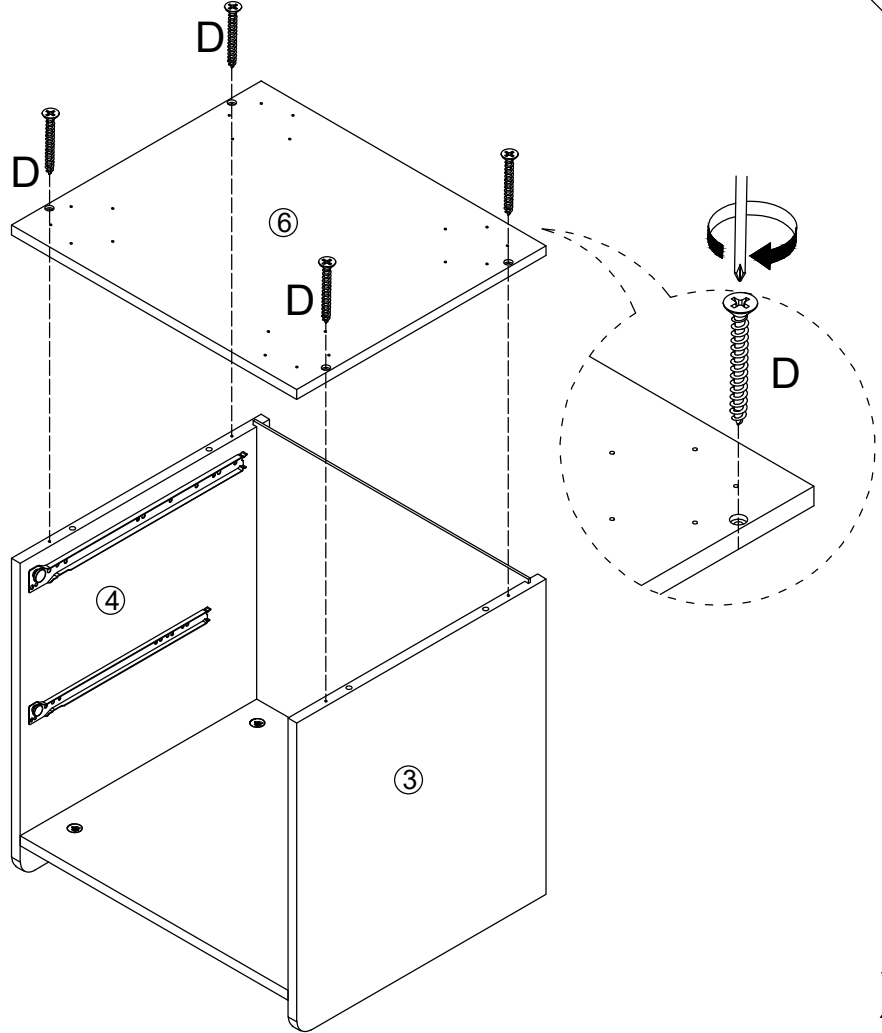
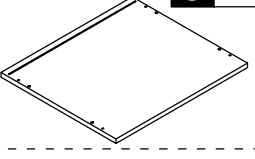


x2

D x8
Ø4x35mm

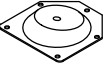


6 x2

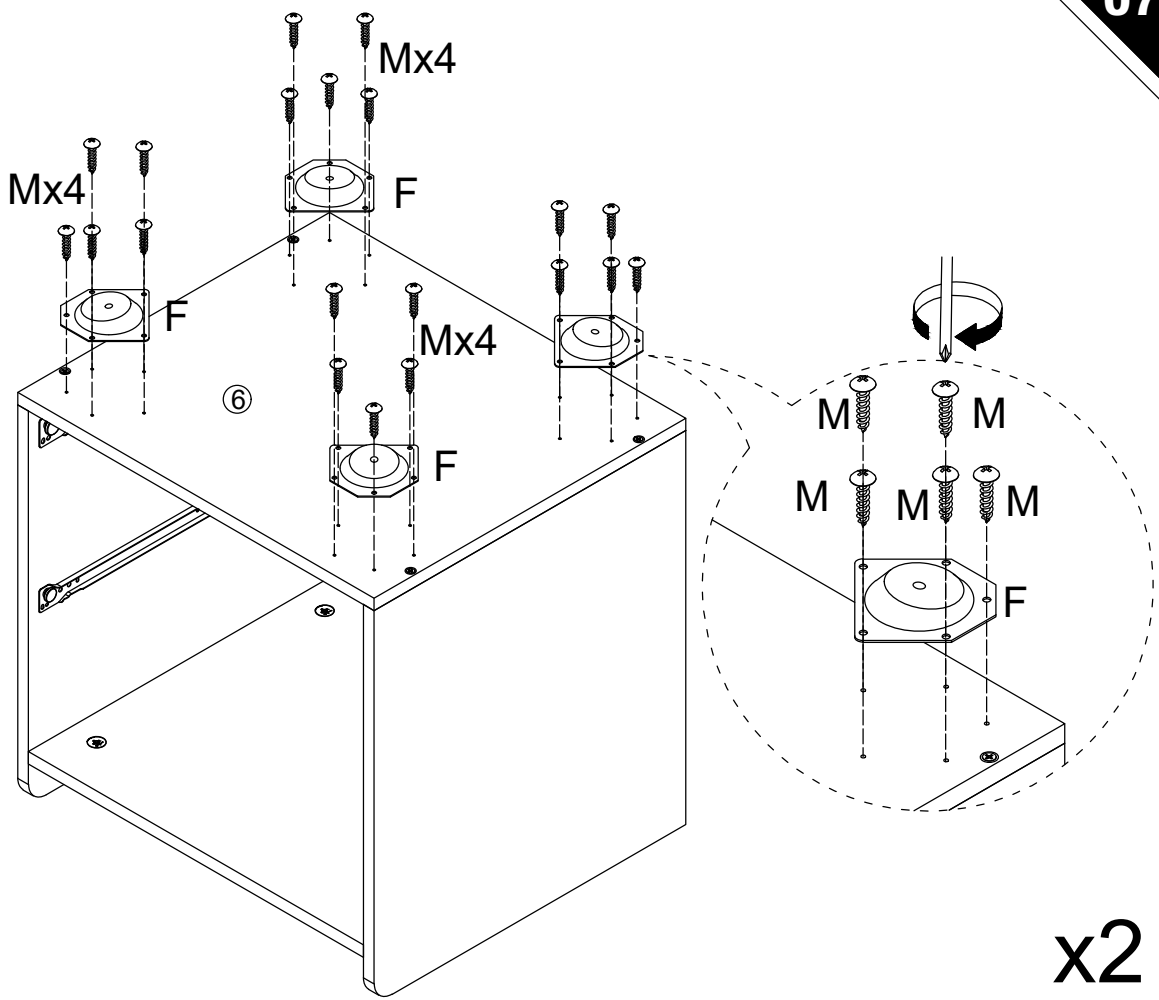


x2

F x8

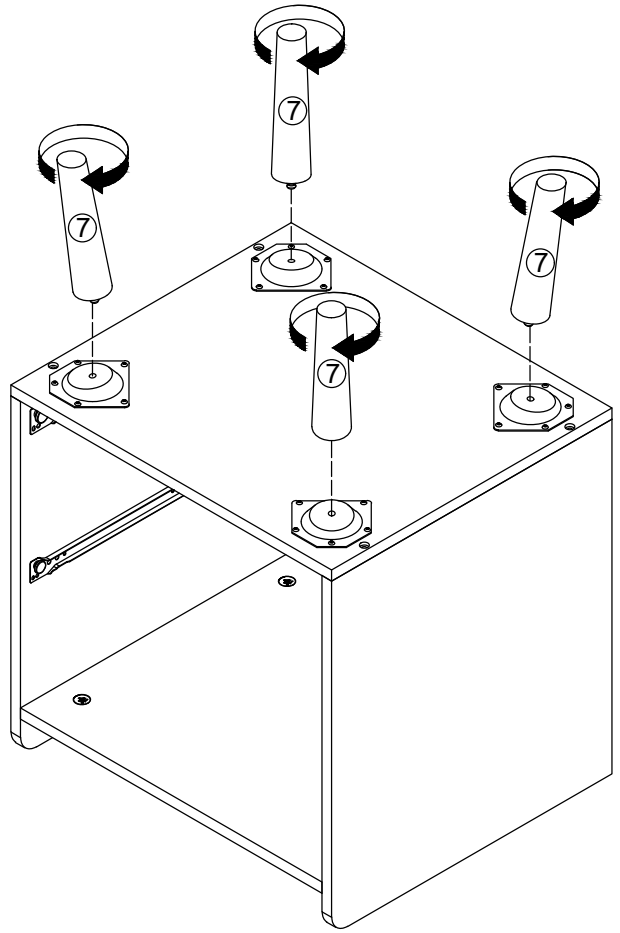


M x40
Ø4x12mm



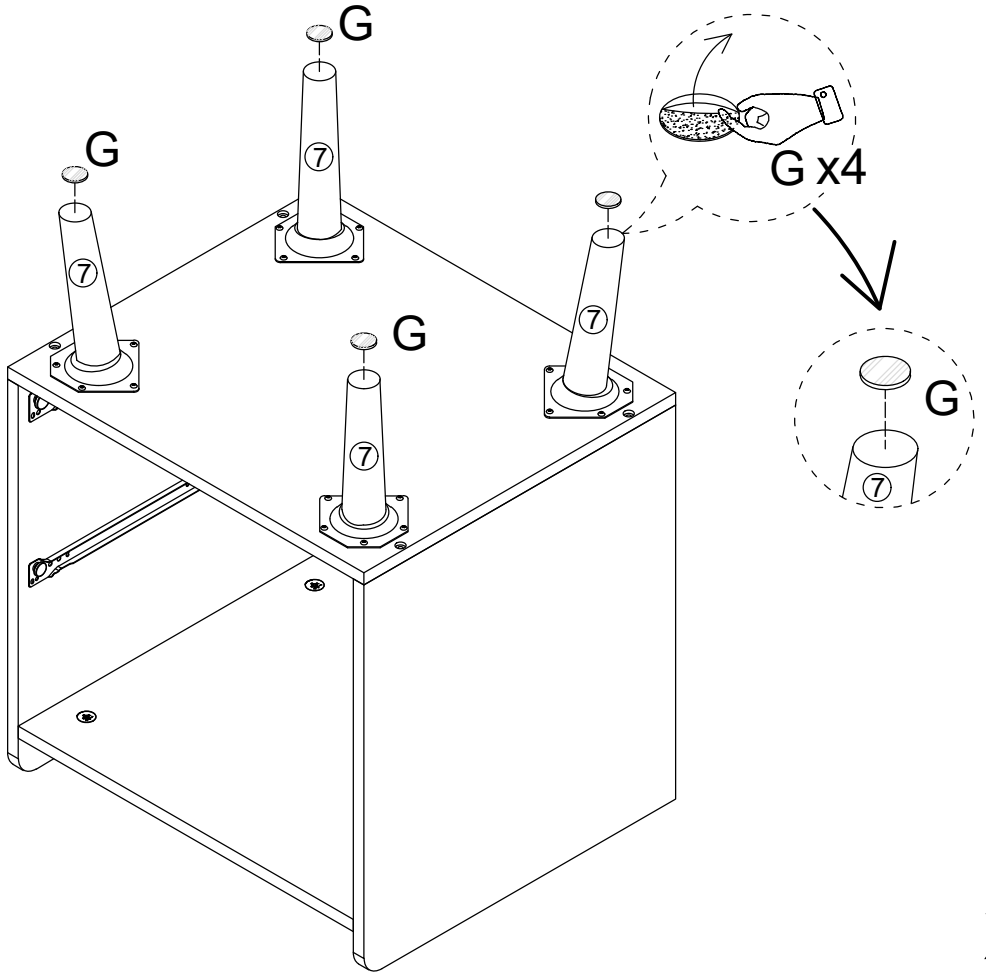
x2

⑦ x8



x2

G x8



x2

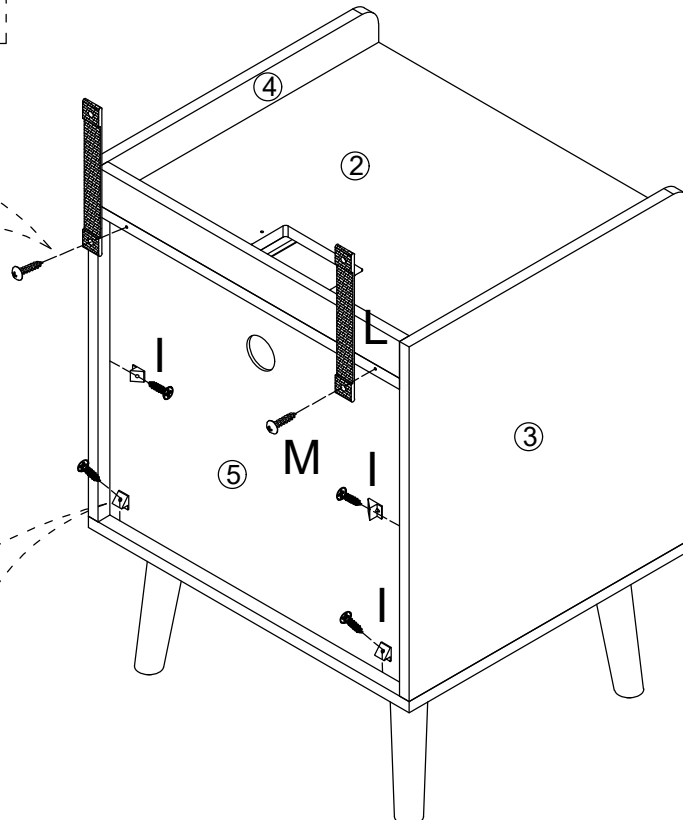
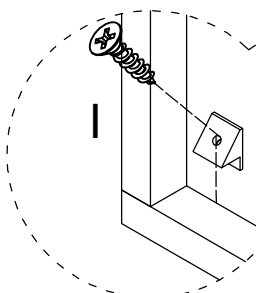
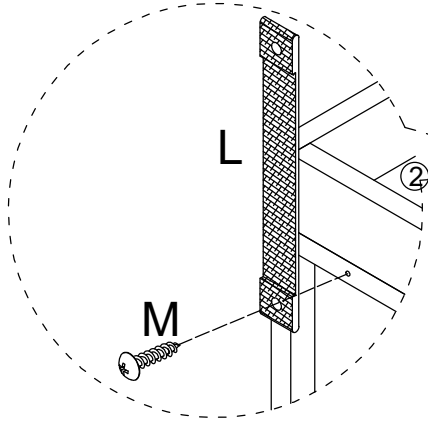
L x4

M x4

I x8



Ø4x12mm

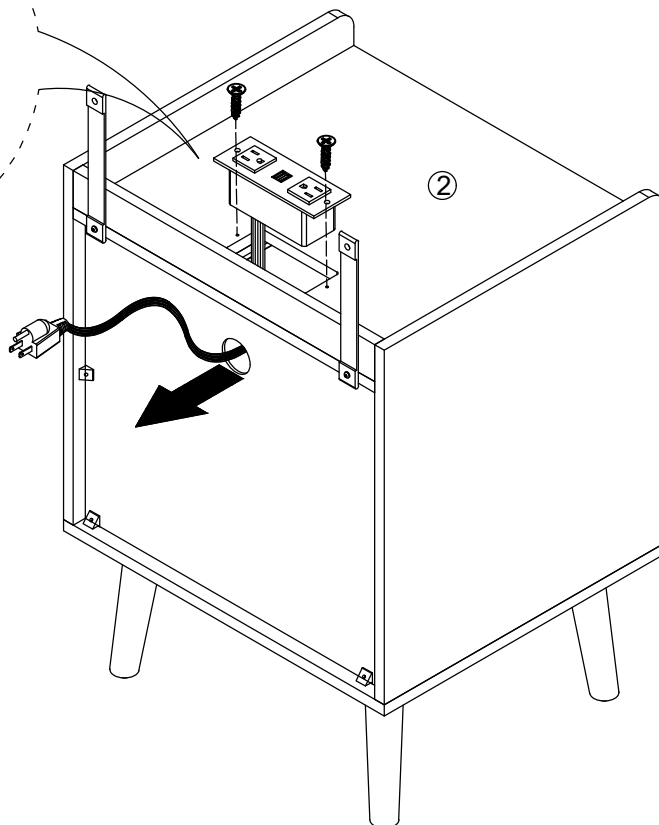
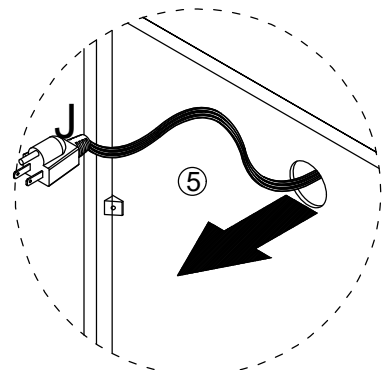
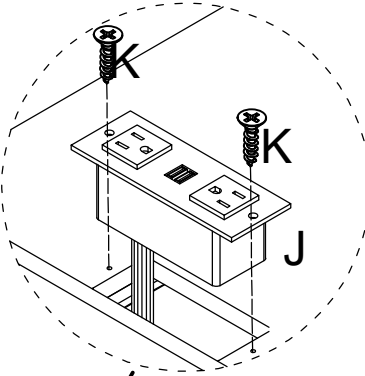
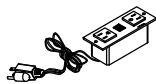


x2

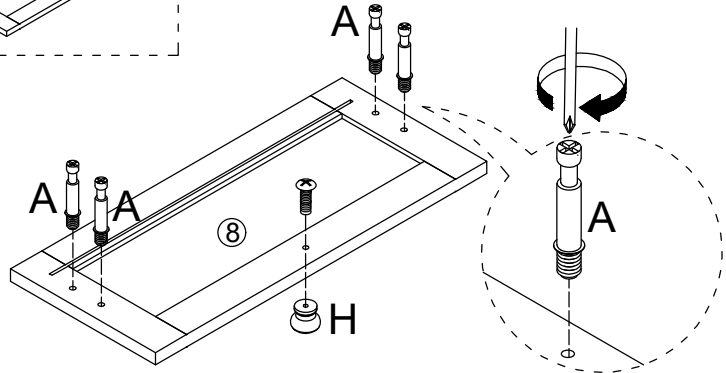
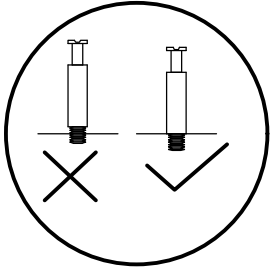
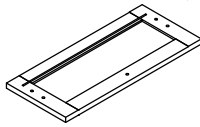
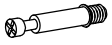
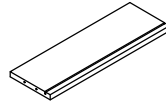
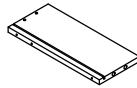
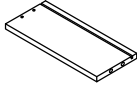
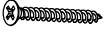
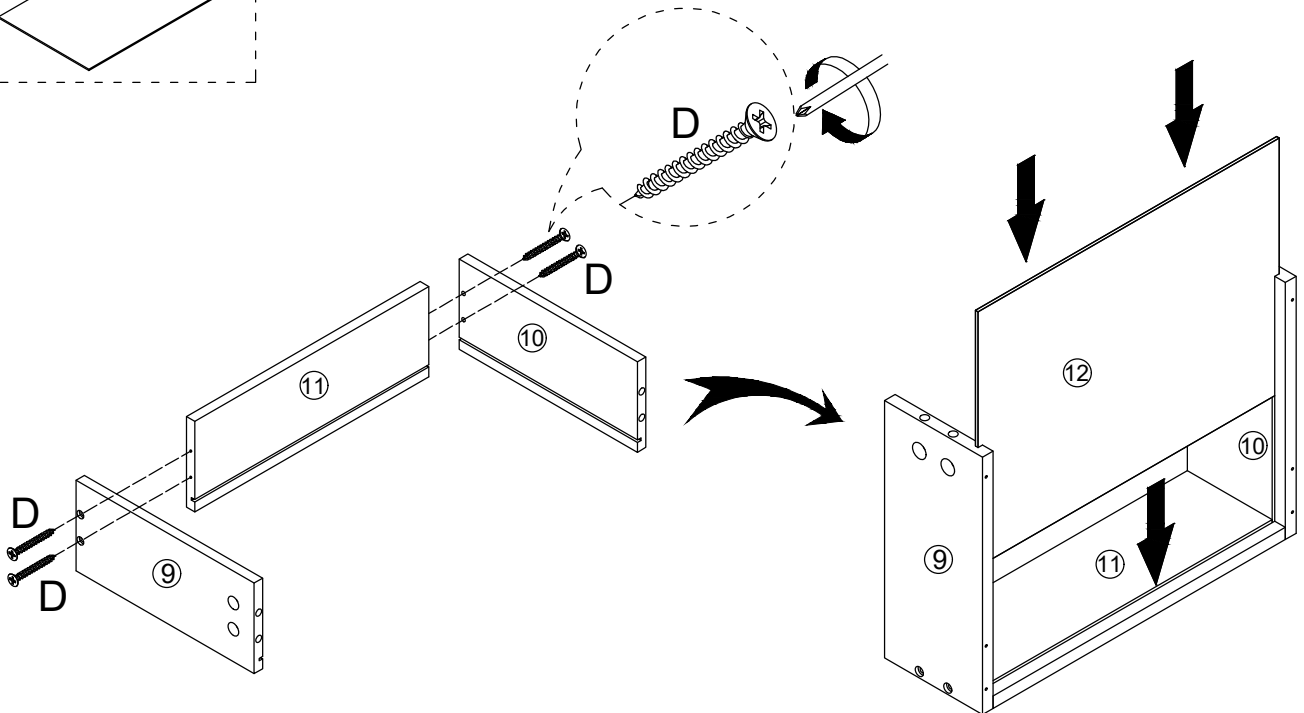
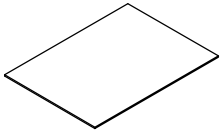
J x2

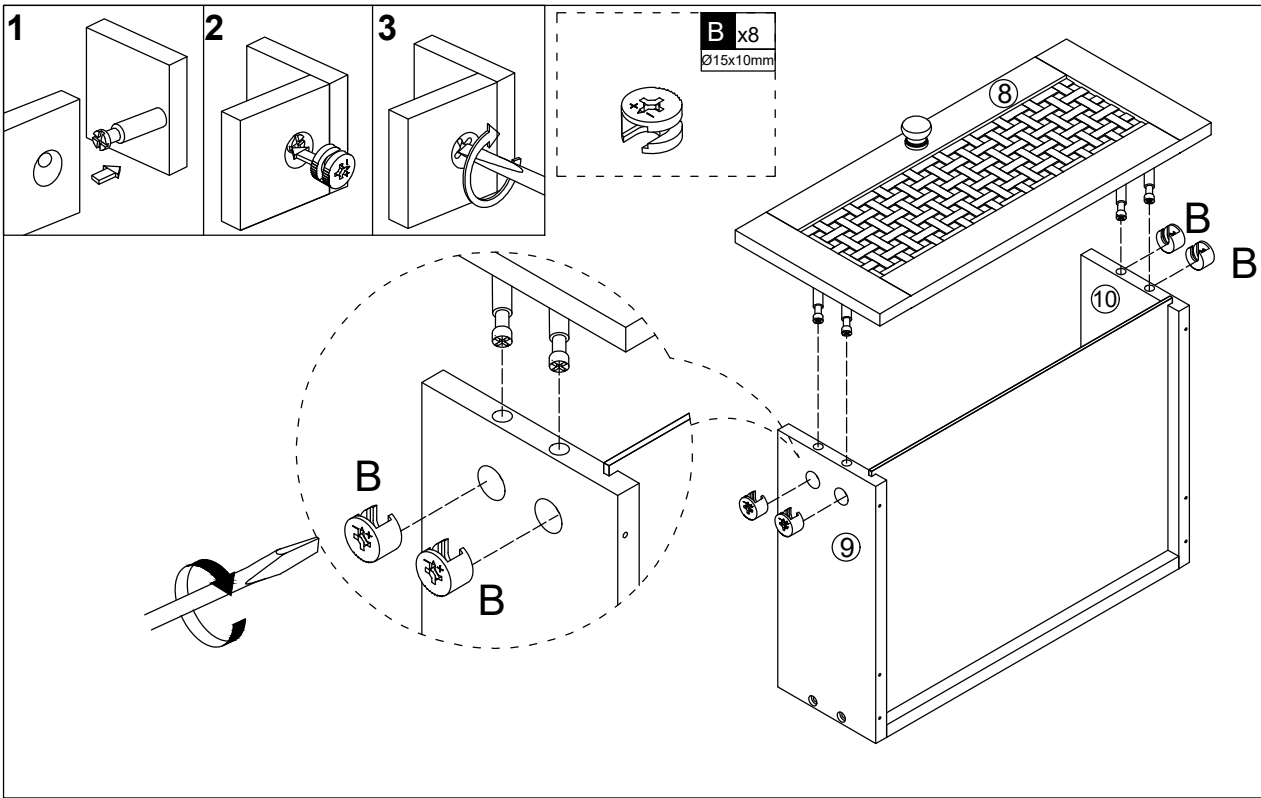
K x4

Ø3.5x12mm

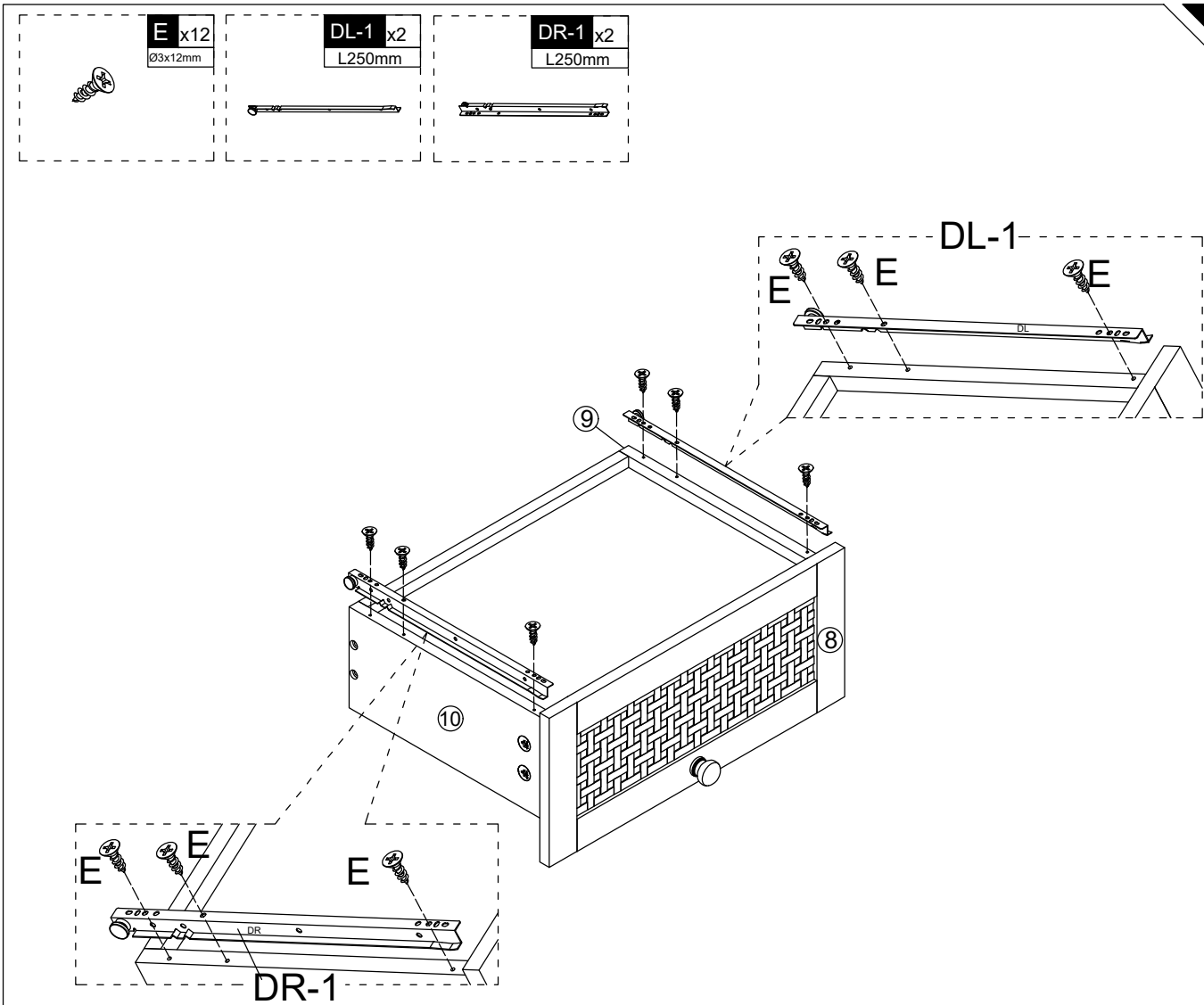


x2

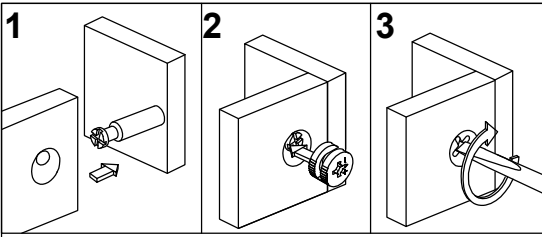
12**A** x16
Ø6x35mm**H** x4**8** x4**x4****13****D** x8
Ø4x35mm**9** x2**10** x2**11** x2**12** x2**x2**



x2

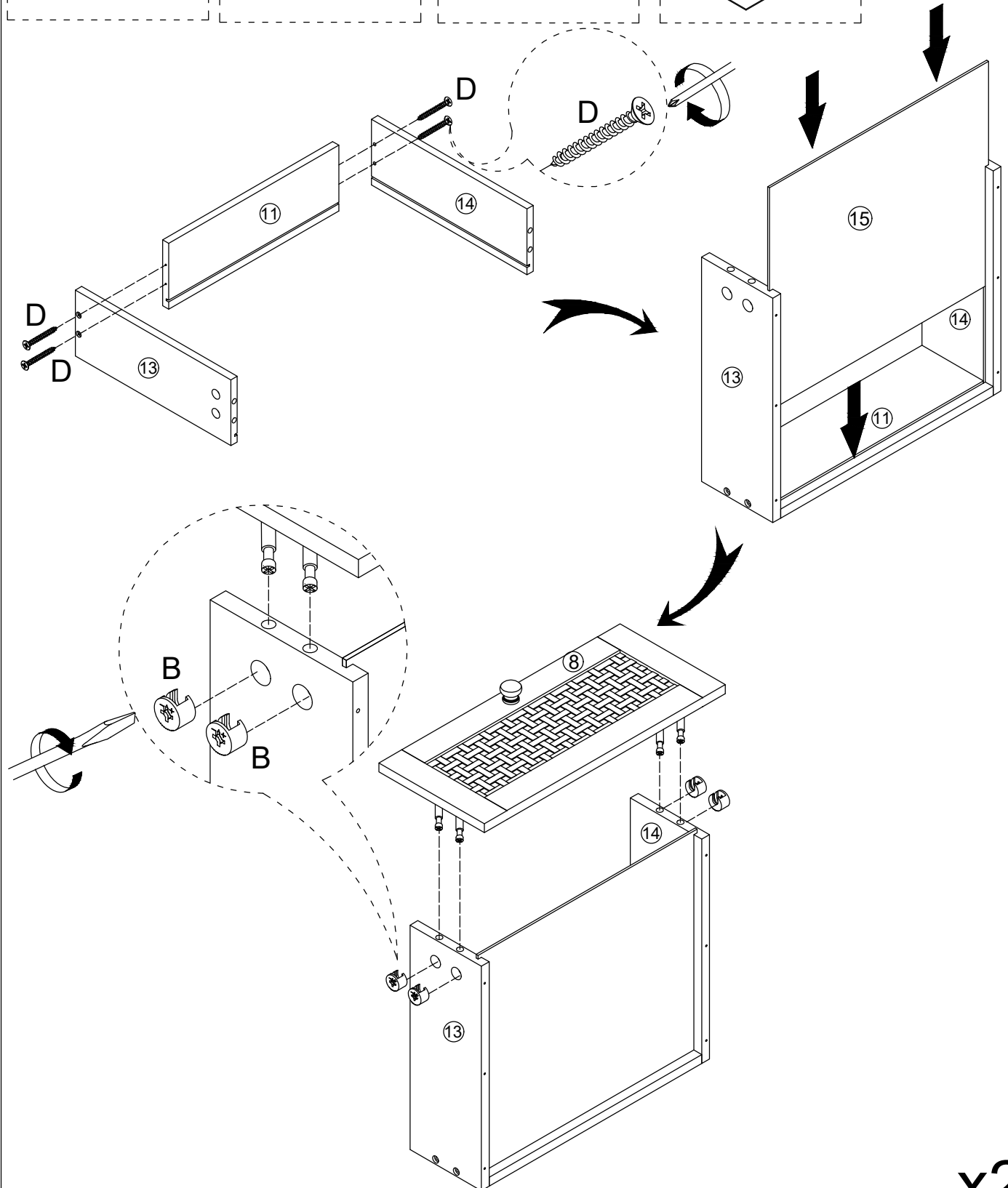
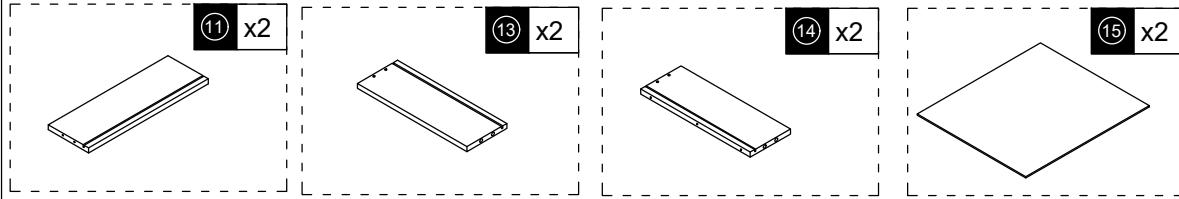


x2



B x8
Ø15x10mm

D x8
Ø4x35mm

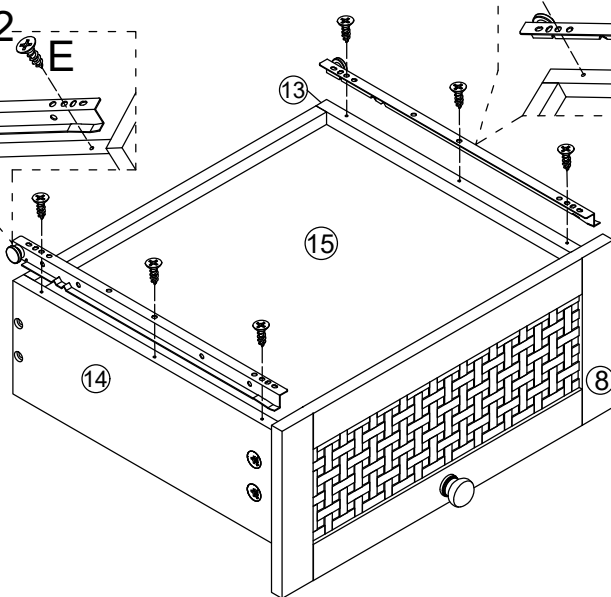
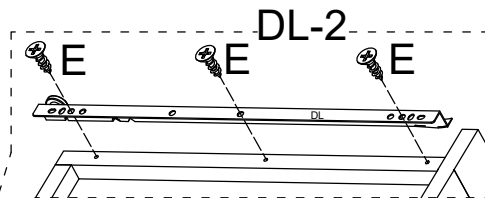
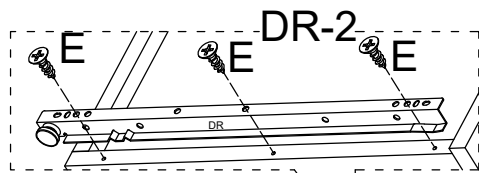


x2

E x12
Ø3x12mm

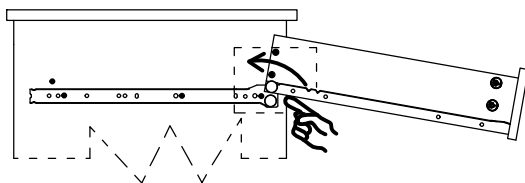
DL-2 x2
L300mm

DR-2 x2
L300mm

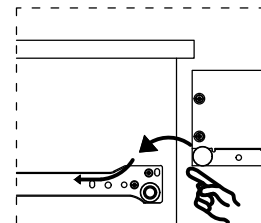
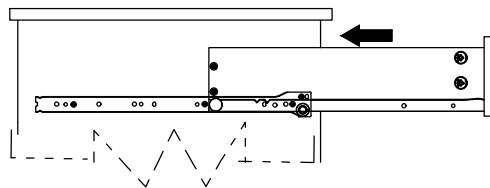


x2

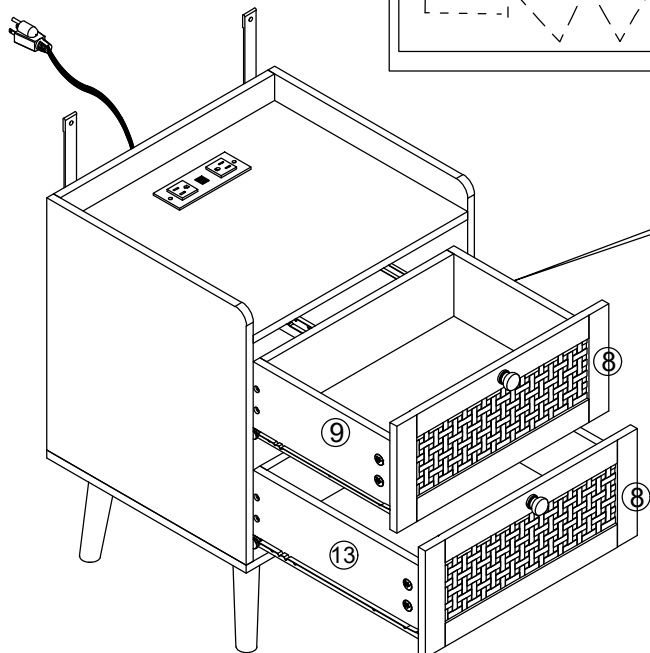
(1)



(2)



x2



x2

